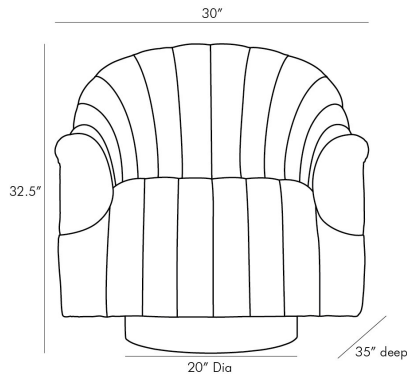


# ARTERIOS

## SPRINGSTEEN CHAIR INDIGO TWEED CHAMPAGNE SWIVEL



8034

H: 32.5 IN, W: 30 IN, D: 35 IN

Indigo Tweed

Contract Suitable As Is

Style reigns supreme in this sensuous swivel chair plucked straight from the seventies. The inviting barrel back, plush channeling and sleek satin brass plinth base create the perfect club chair. Place a pair in your favorite entertaining space with petite drinks tables or use four around a cocktail table instead of the traditional sofa and chair combo. These are meant to be touted, not tucked away!

### APPEARANCE

|                  |              |
|------------------|--------------|
| Material         | Steel, Tweed |
| Finish           | Champagne    |
| Top Coat/Sealant | false        |

### DIMENSIONS

|             |                     |
|-------------|---------------------|
| Arm         | H: 22 IN, W: 4.5 IN |
| Foot Print  | Dia: 20.00 IN       |
| Leg         | H: 4.5 IN           |
| Seat        | W: 21 IN, D: 21 IN  |
| Seat Height | 17 IN               |
| Seat        | W: 21 IN, D: 21 IN  |

### SHIPPING

|                       |                              |
|-----------------------|------------------------------|
| Shipping Requirements | TruckShip                    |
| Product Weight        | 80 LBS                       |
| Gross Weight 1        | 85 LBS                       |
| Shipping Box 1        | H: 43 IN, L: 41 IN, W: 38 IN |

### CONTRACT

|                                   |   |
|-----------------------------------|---|
| Contract Suitable                 | true  |
| Fabric Composition                | 56% Polystr 22% Cotton 18% Acrylic<br>4% Polyethylene |
| Fabric Double Rub Count           | 75,000  |
| Fabric Compliancy                 | NFPA-260, TB117-2013                                  |
| Contract Textile Suitabil-<br>ity | High Traffic/Public Spaces                            |
| Swatch Number                     | X04SW, X048X8   |