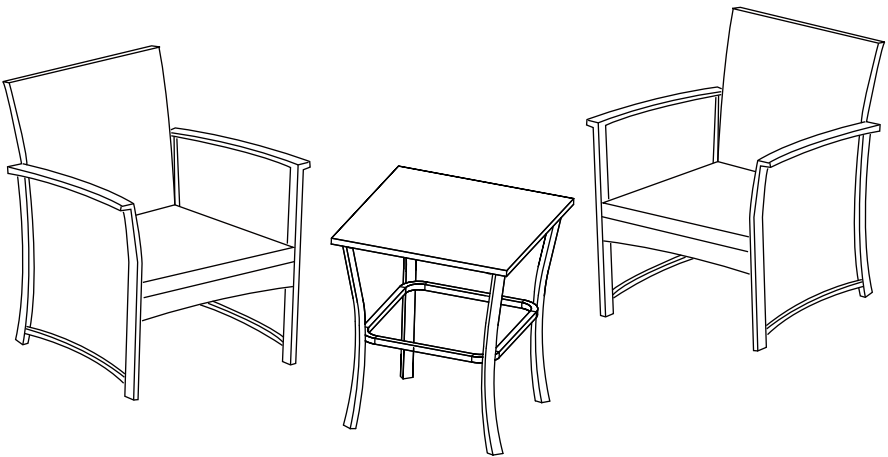


# INSTRUCTION MANUAL



**3- Piece Woven Rattan Wicker Seating Set**

## ! NOTICE

### Do not overtighten screws. (Insert all screws before tighten screws.)

- Please do not exceed the weight limitations of this item.
- Do not stand on or use any part of this item as a step ladder.
- Firmly secure all bolts, screws and nuts before use.
- Reconfirm that all bolts, screws, and nuts are secure every 90 days.
- Do not use or store this item in the proximity of open flame or flammable/combustible chemicals.
- Be aware that some parts are heavy and have sharp edges.

## TOOLS REQUIRED



ALLEN WRENCH  
(PROVIDED)



CHAIR  
330 LBS  
CAPACITY



TABLE  
66 LBS  
CAPACITY



1 PERSON  
ASSEMBLY



UP TO 60 MIN.  
ASSEMBLY

## HARDWARE

1

M6 x 30mm  
BOLT



24 PCS

2

M6 x 15mm  
BOLT



8 PCS

3

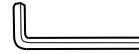
M6 x 50mm  
BOLT



32 PCS

4

ALLEN  
WRENCH

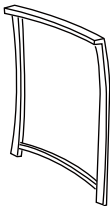


1 PC

## PARTS

A

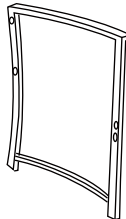
CHAIR RIGHT SIDE



2 PCS

B

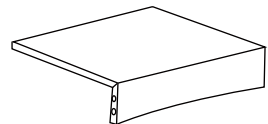
CHAIR LEFT SIDE



2 PCS

C

CHAIR SEAT

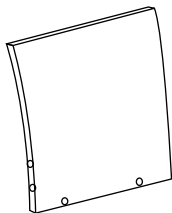


2 PCS

## PARTS

**D**

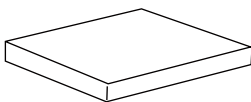
CHAIR BACKREST



2 PCS

**E**

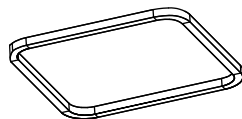
SEAT CUSHION



2 PCS

**F**

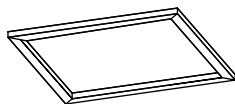
TABLE BASE



1 PC

**G**

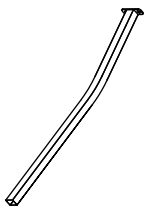
TABLETOP



1 PC

**H**

TABLE LEG

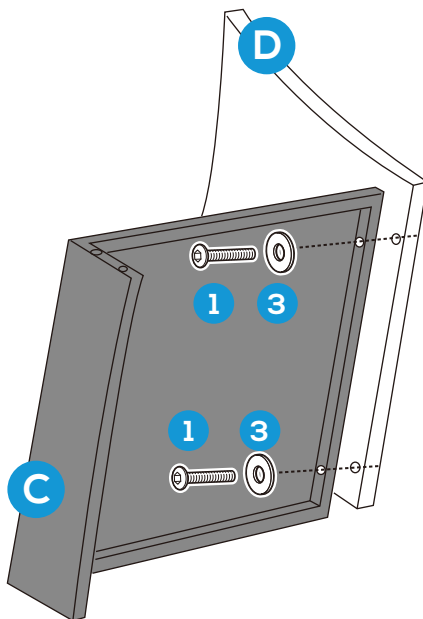


4 PCS

## PRODUCT ASSEMBLY - CHAIR

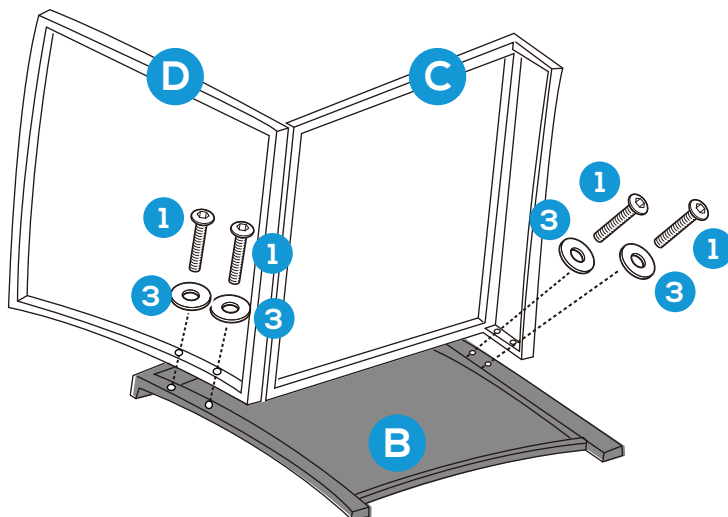
1

Attach the part C Chair Seat to part D Seat Backrest with 2 PCS of part 1 bolt and part 3 washer.



2

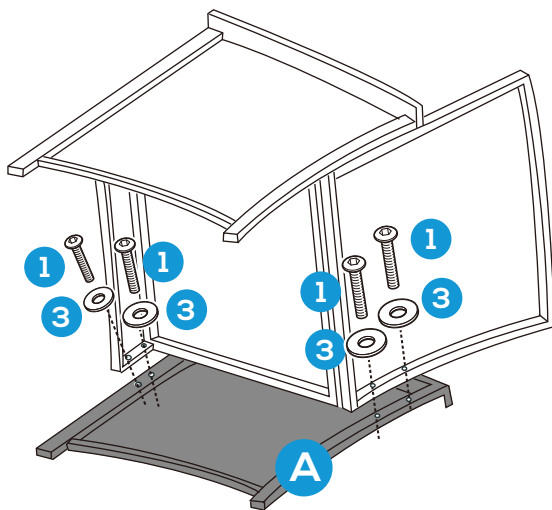
Attach the assembled part (C+D) to part B Chair Left Side with 4 PCS of part 1 bolt and part 3 washer.



## PRODUCT ASSEMBLY - CHAIR

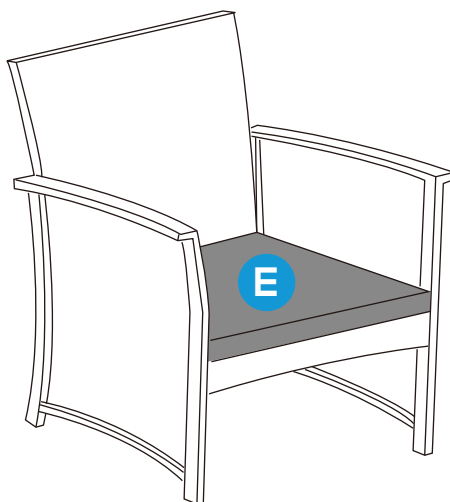
3

Attach part A Chair Right Side to part C Chair Seat and part D Seat Backrest with 4 PCS of part 1 bolt and part 3 washer.



4

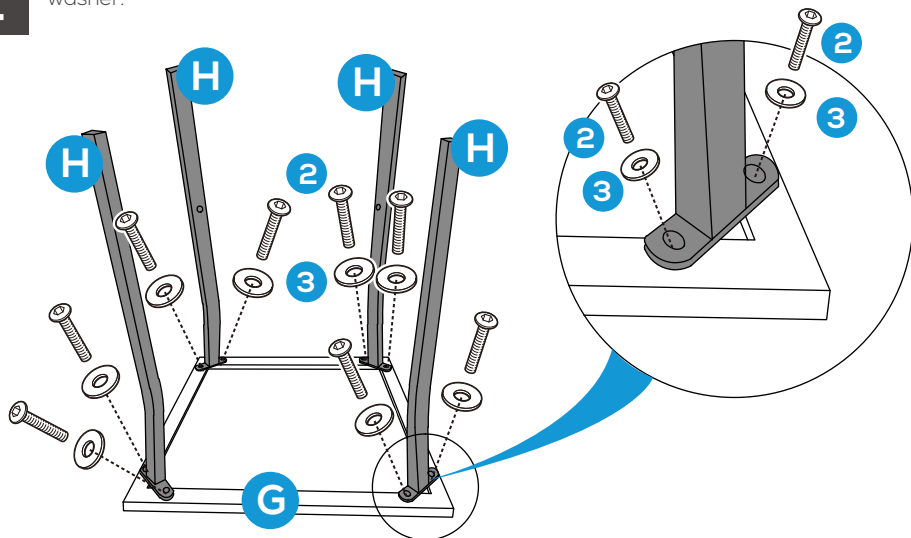
Place part E Seast Cushion into the seat to finish the assembly.s  
Do the same to assemble the other chair.



## PRODUCT ASSEMBLY - TABLE

1

Attach the part H Table Leg to part G Table Top with 8 PCS of part 2 bolt and part 3 washer.



2

Attach part F Table Base to part H Table Leg with 4 PCS of part 1 bolt and part 3 washer.

