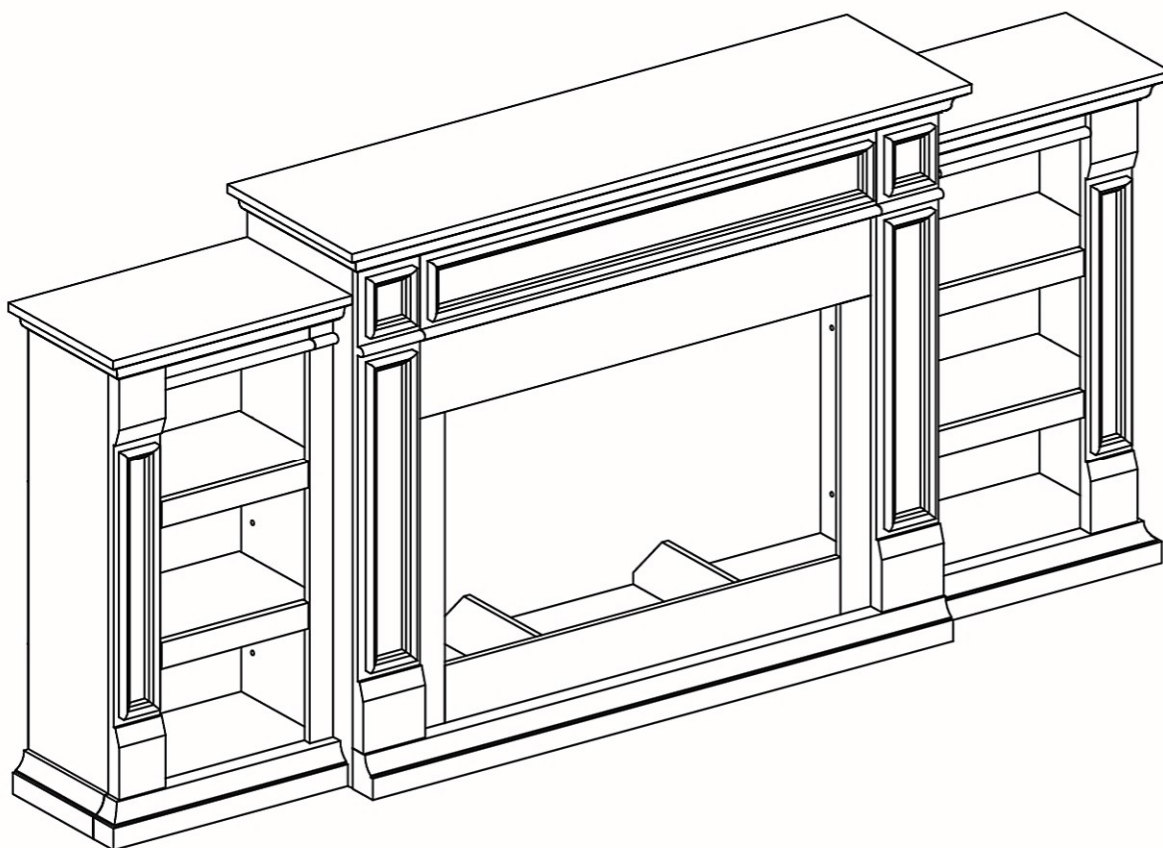
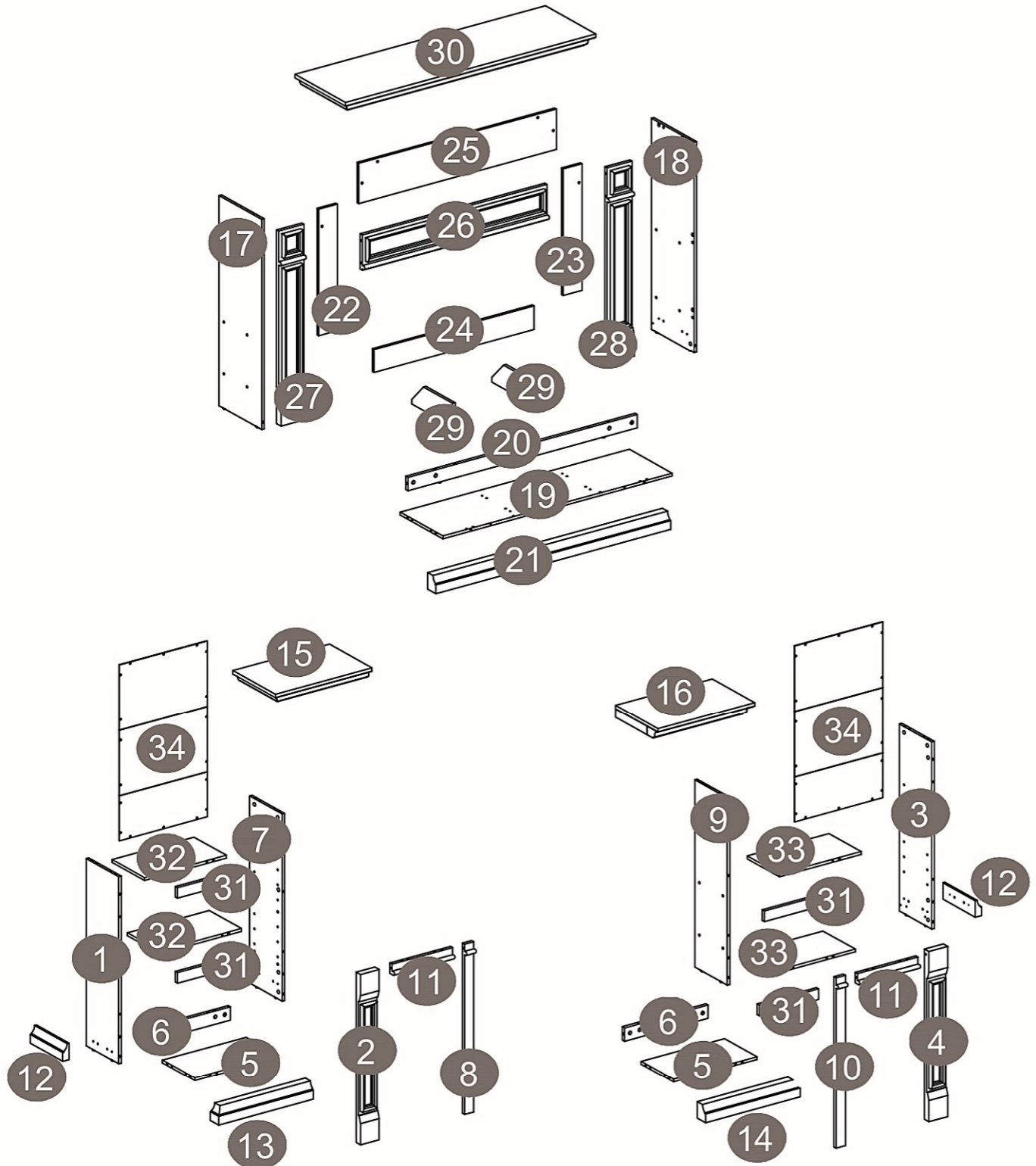


ASSEMBLY INSTRUCTIONS



ASSEMBLY STRUCTURE REFERENCE DIAGRAM



PACKAGE CONTENT

A



X 76+2

B



X 76+2

C



$\text{\O}6 \times 30\text{mm}$
X 84+2

D



$\text{\O}3 \times 12 \times 6\text{mm}$
X 20+2

E



X 10

E



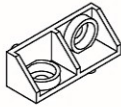
$\text{\O}4 \times 25\text{mm}$
X 4

G



$\text{M6} \times 12\text{mm}$
X 26+2

H



X 13

I



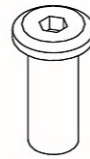
$\text{M6} \times 20\text{mm}$
X 9+1

J



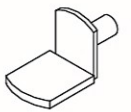
$\text{M6} \times 20\text{mm}$
X 12+1

K



X 12+1

L



X 16+2

M



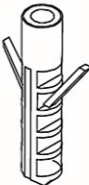
$\text{\O}3 \times 14\text{mm}$
X 36+2

N



X 2

O



X 2

P



$\text{\O}4 \times 35\text{mm}$
X 2

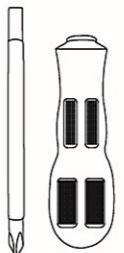
Q



M4

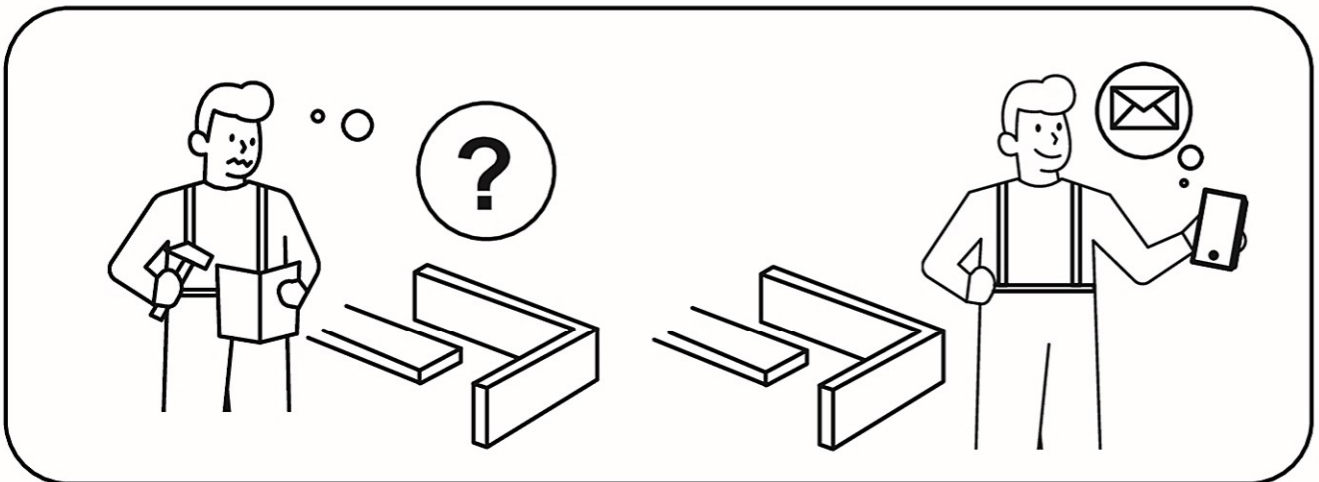
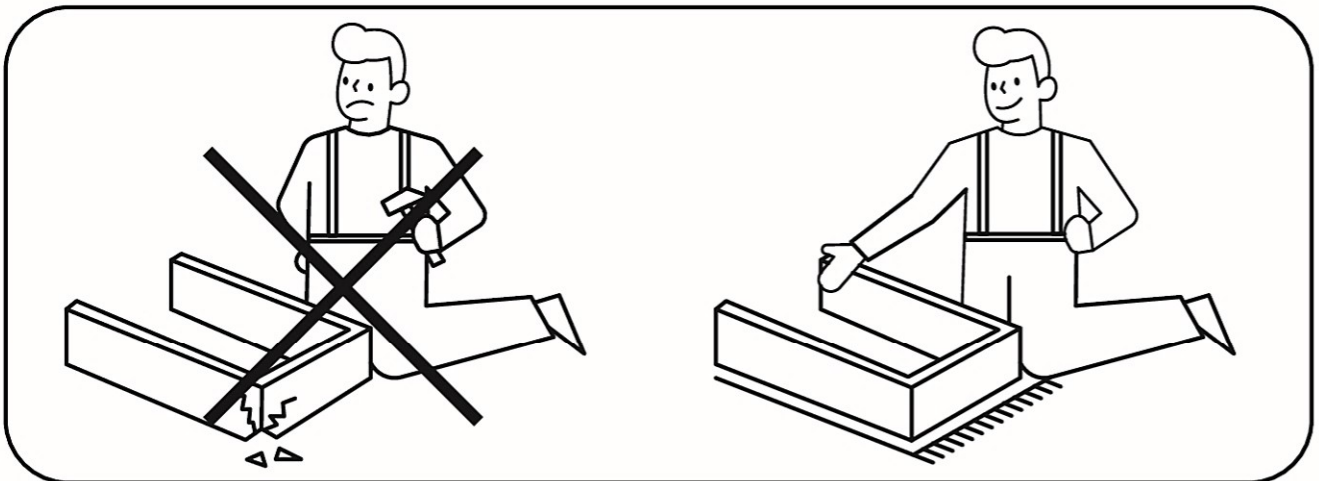
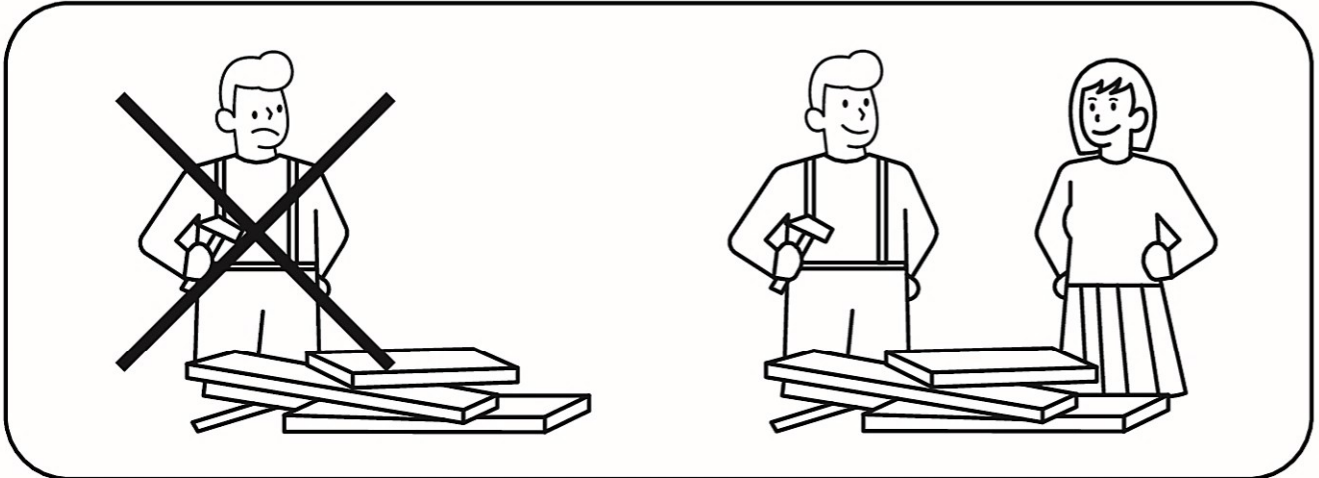
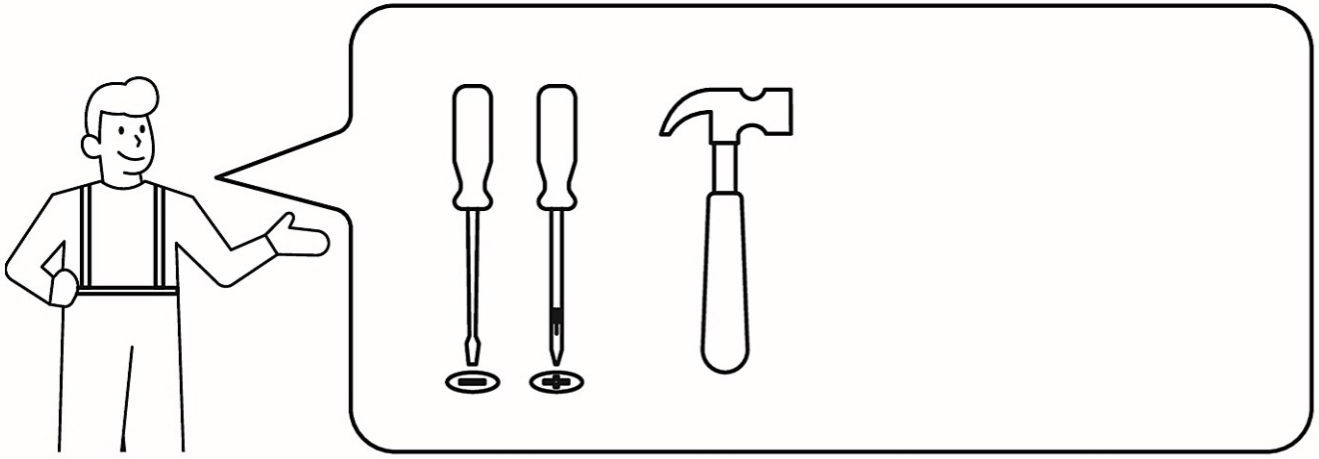
X 1

R

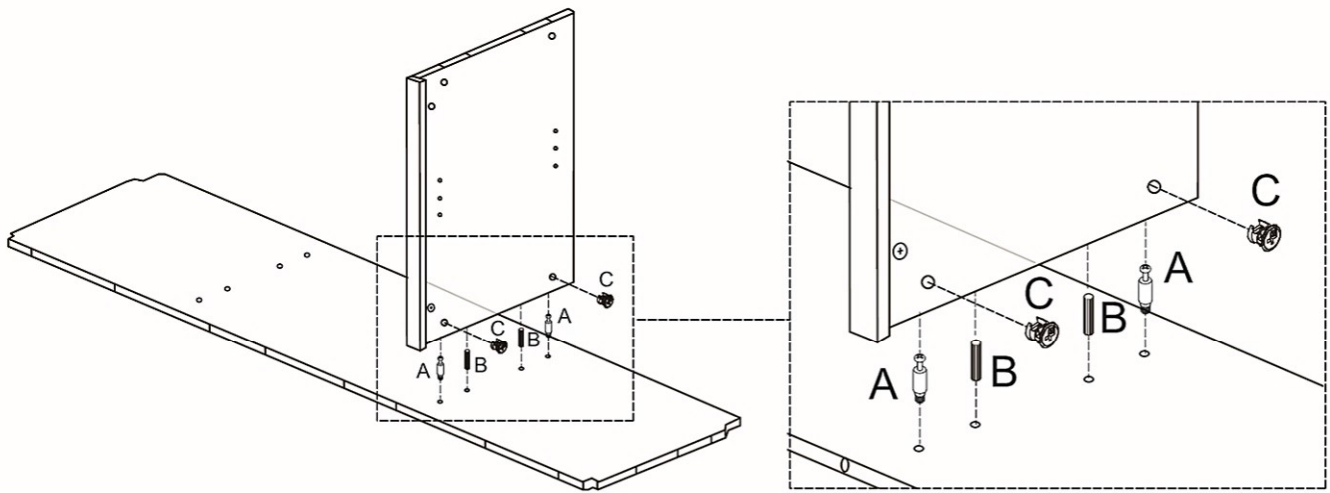


X 1

The hardware quantities listed above are required for proper assembly. Some extra hardware may also have been included.

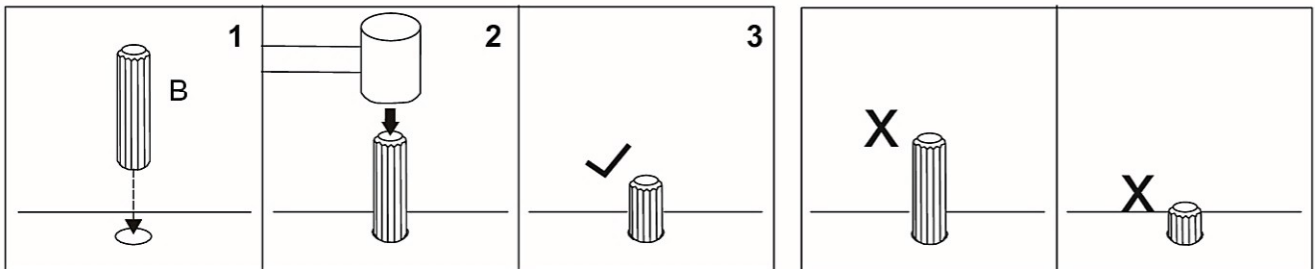


How to work the Knock Down (kd) assembly system

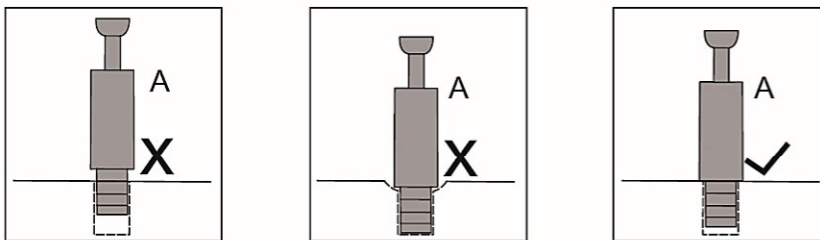


How to install Wood Dowel

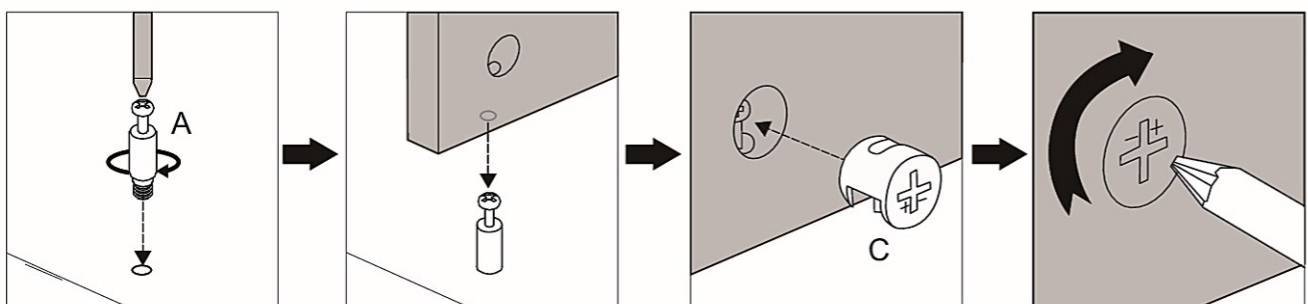
Insert the wood dowel [B] at least half way by tapping lightly with a rubber mallet, IF NECESSARY.



How to use the Cam Lock system



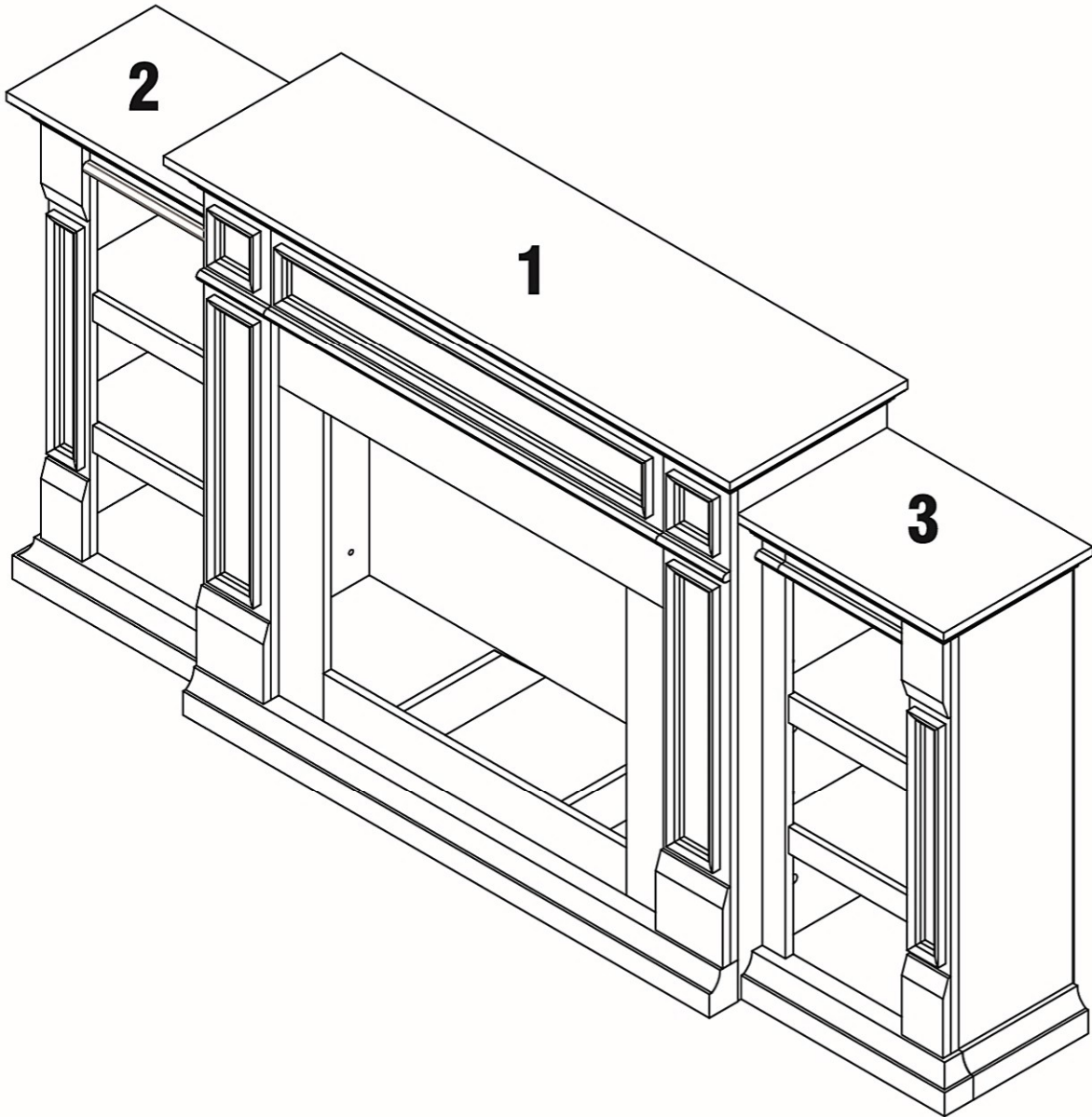
1. Screw the cam bolt [A] into the threaded insert on the panel.
2. Connect both panels together making sure cam bolt [A] goes into the pre-drilled large hole on the end of panel for cam lock [C].
3. Insert the cam lock [C] into the pre-drilled large hole on the panel. **Make sure the cross slot of cam lock [C] faces out.**
4. Rotate the cam lock [C] **clockwise** with a self-supplied philips screwdriver to lock the cam bolt [A] in place.



Now you are ready to assemble the electric fireplace mantel

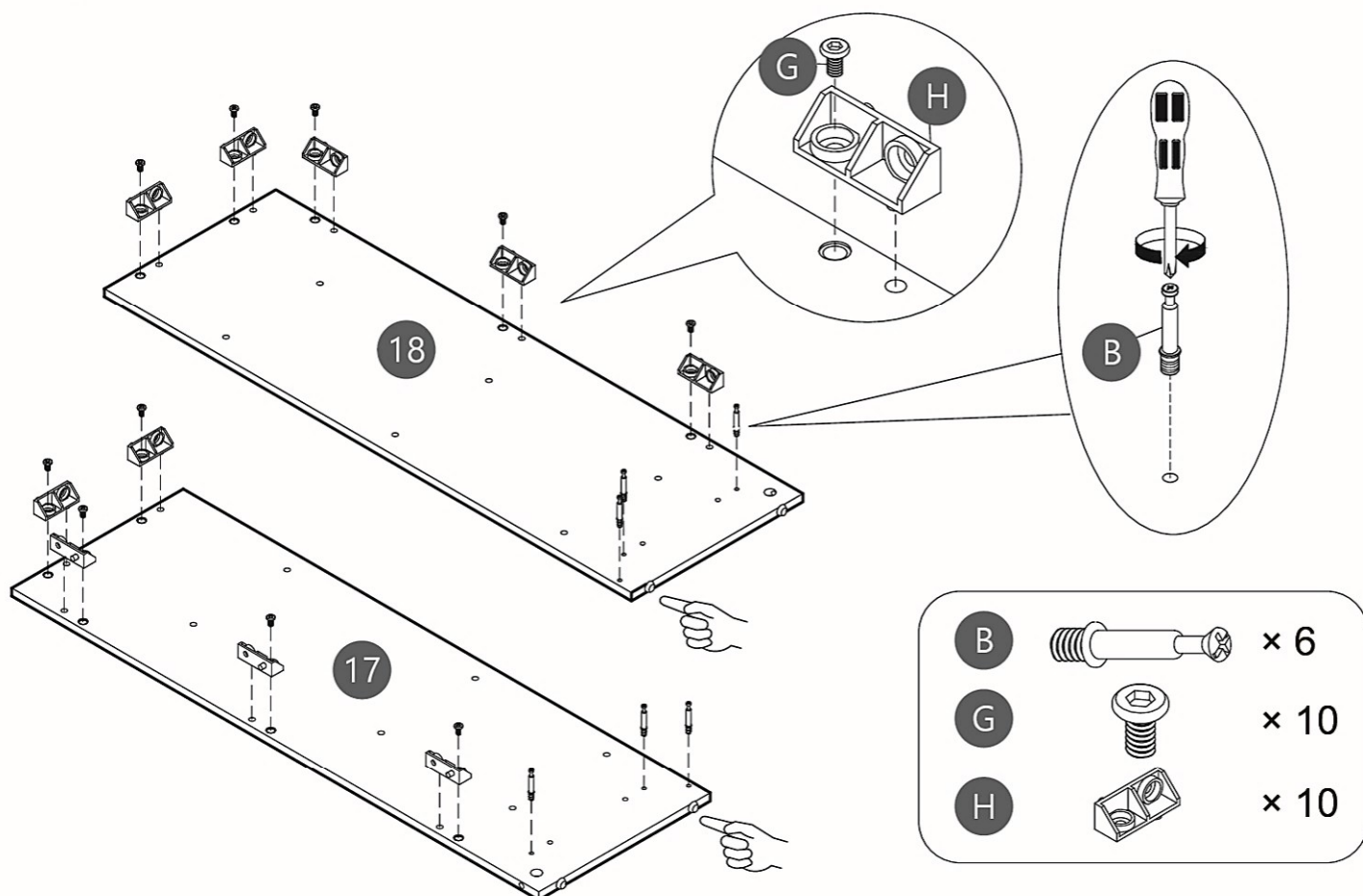
It divided in to three parts in total:

- 1. Install the center part**
- 2. Install the left part**
- 3. Install the right part**

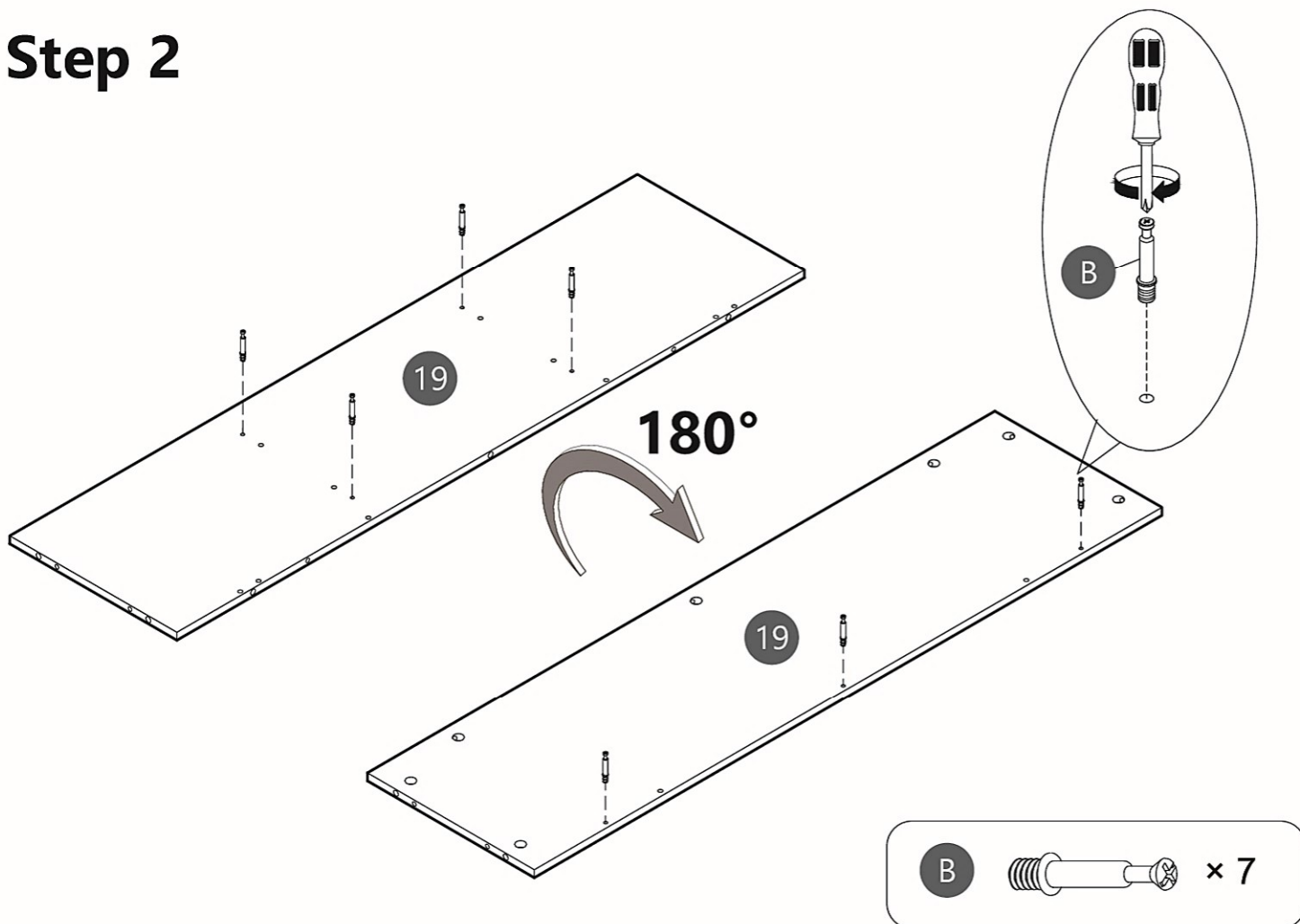


We recommend using a power drill to assemble.

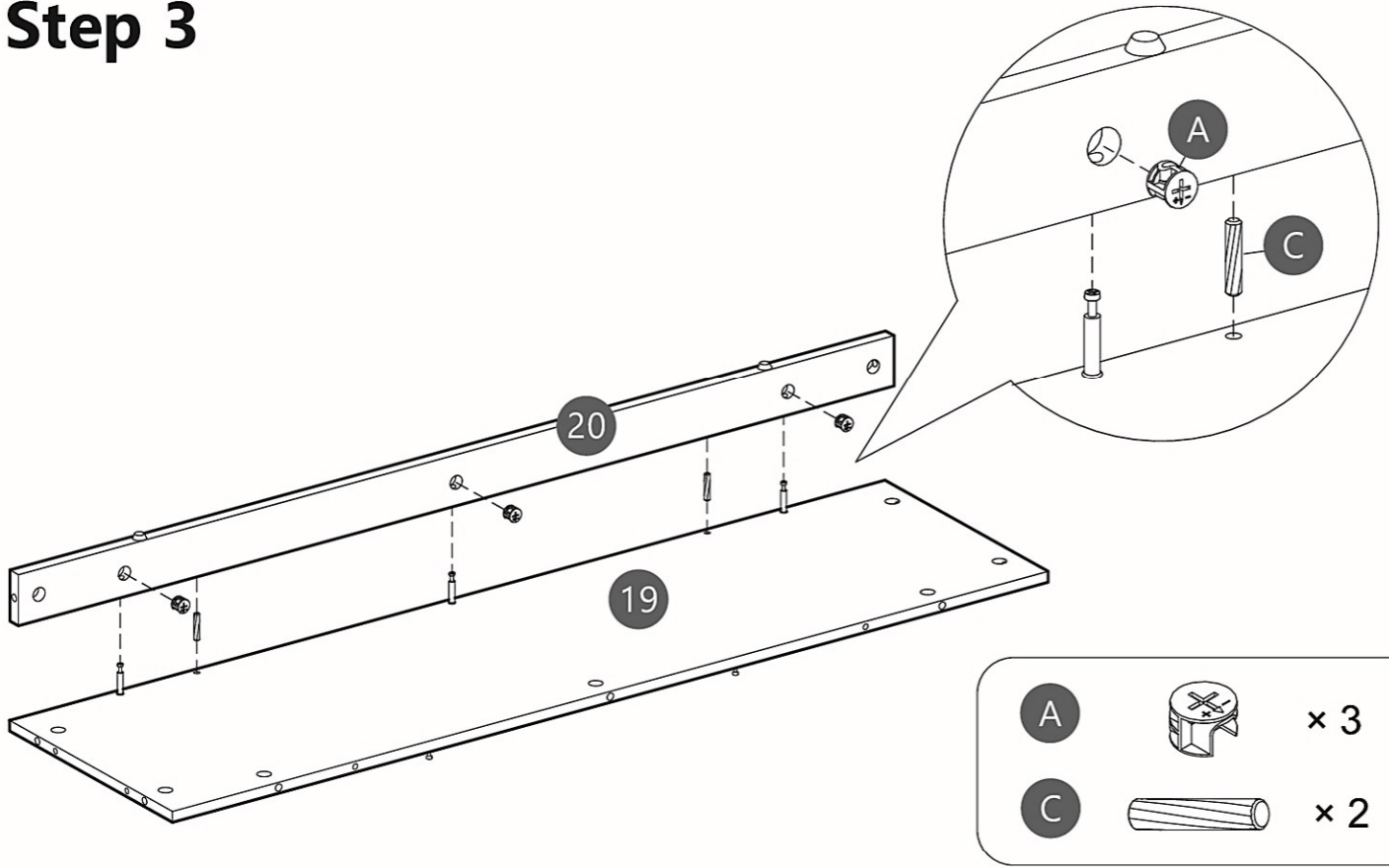
Step 1



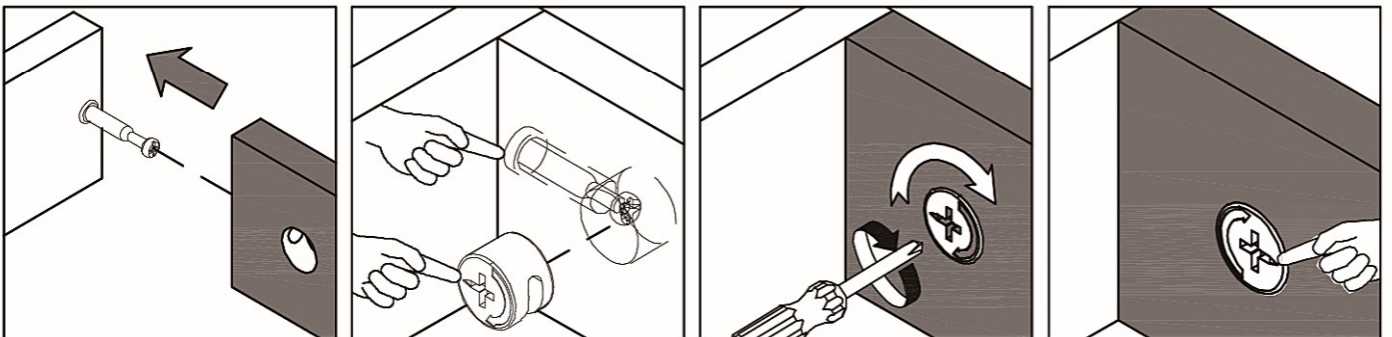
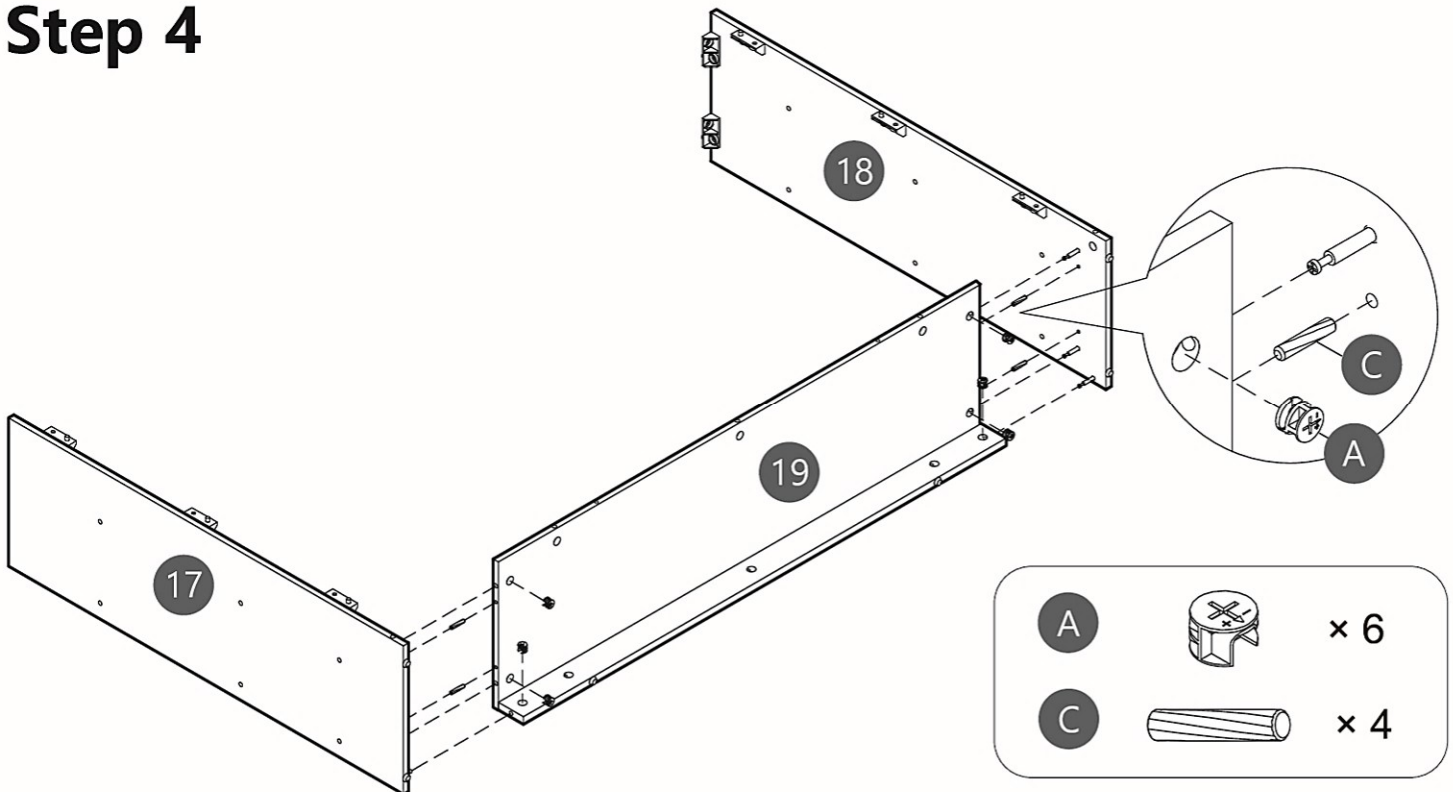
Step 2



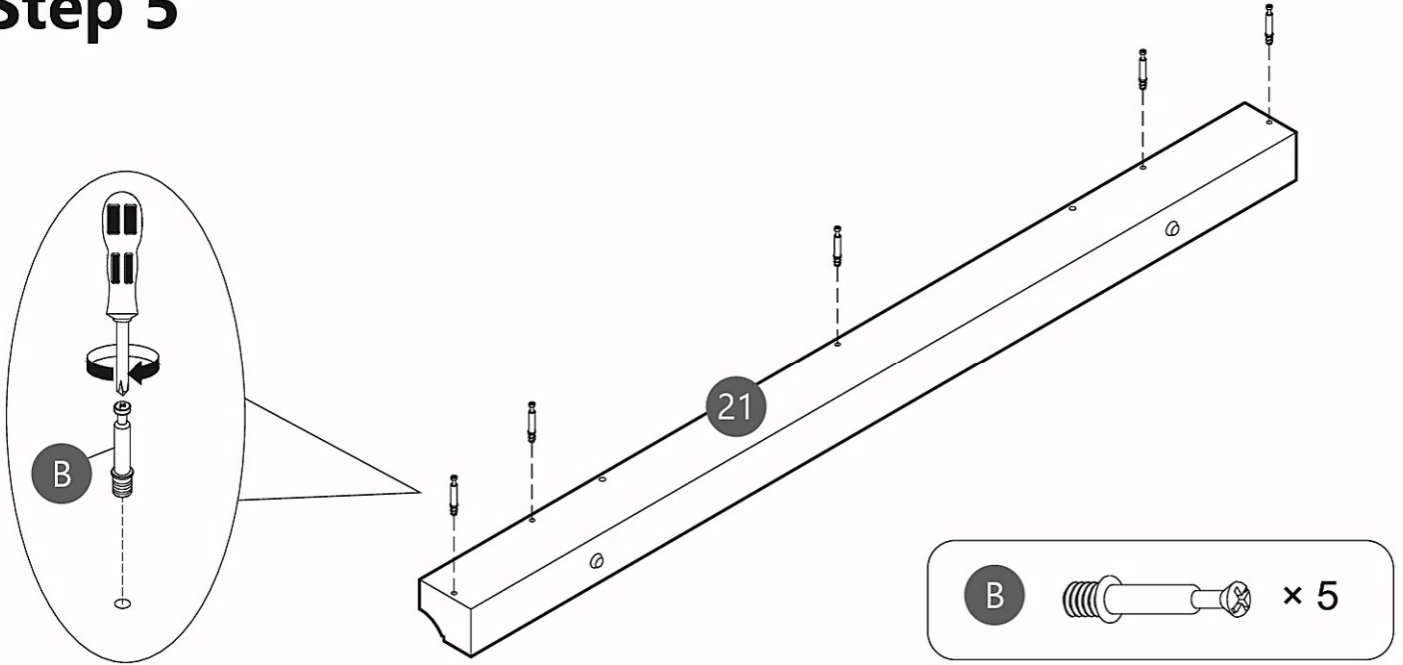
Step 3



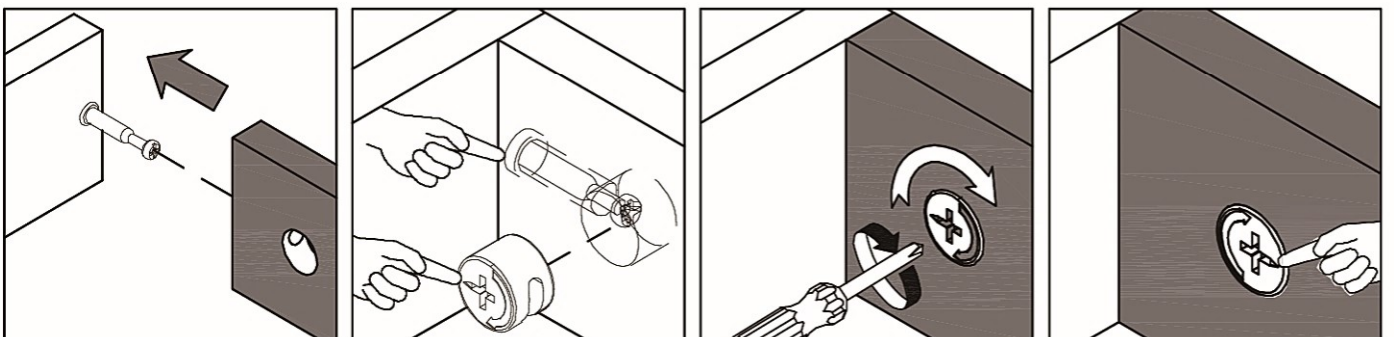
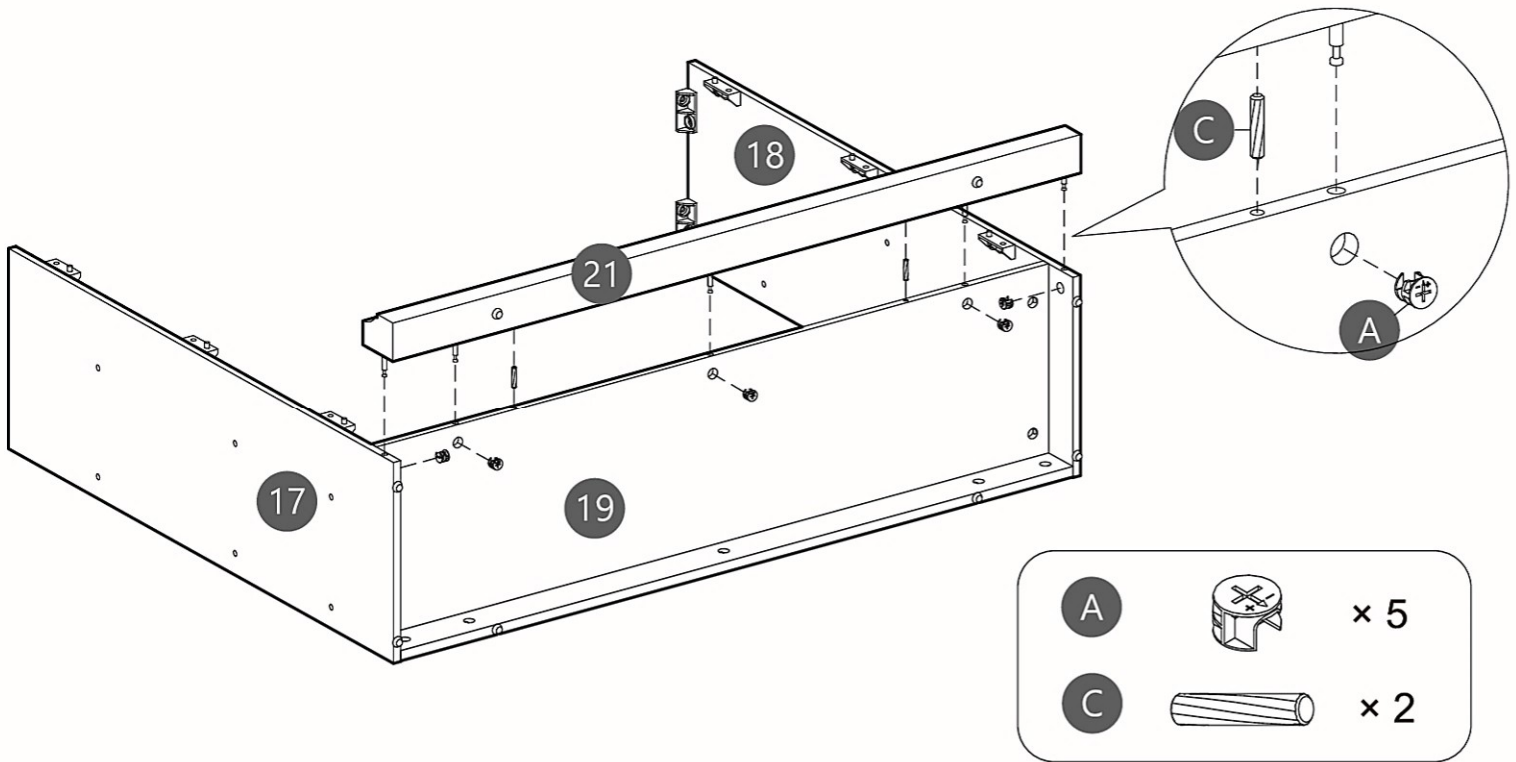
Step 4



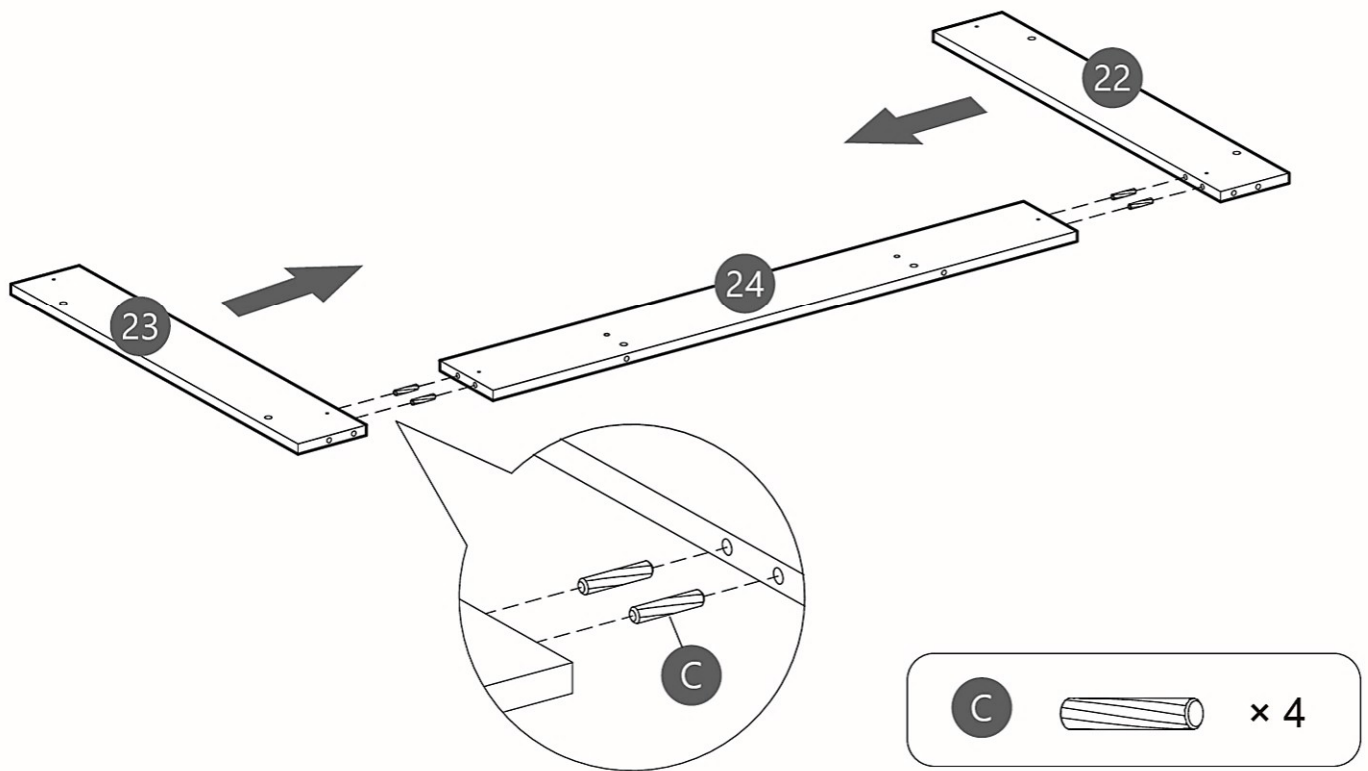
Step 5



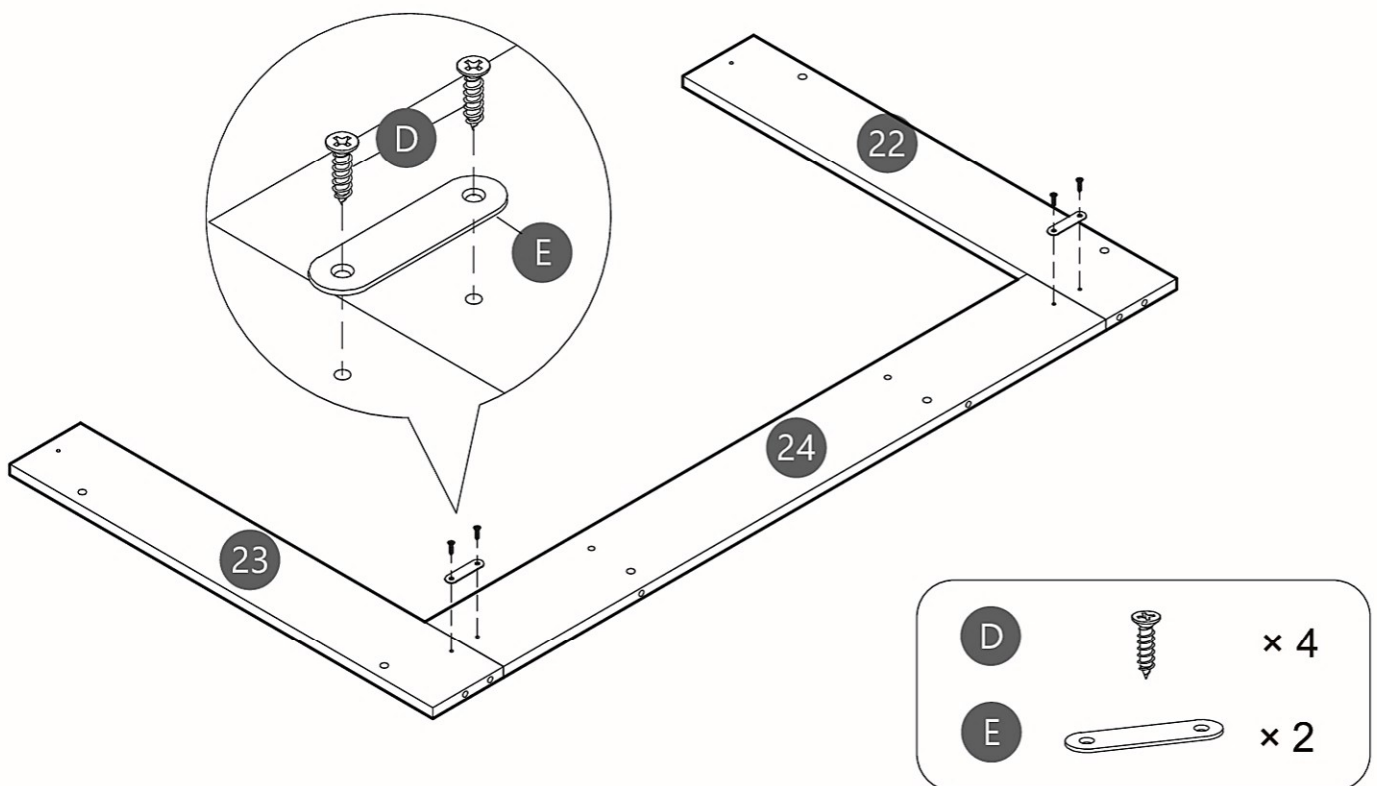
Step 6



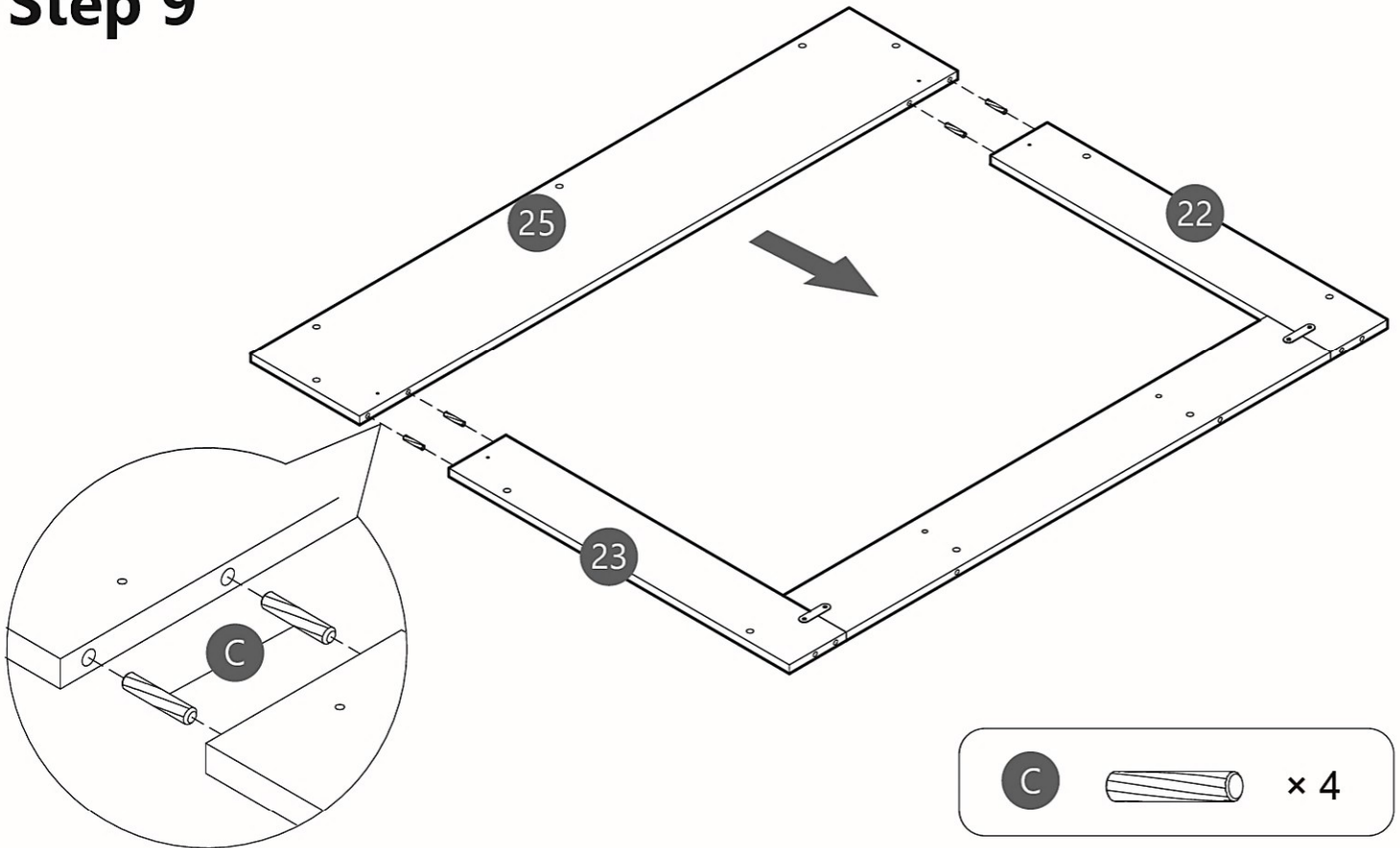
Step 7



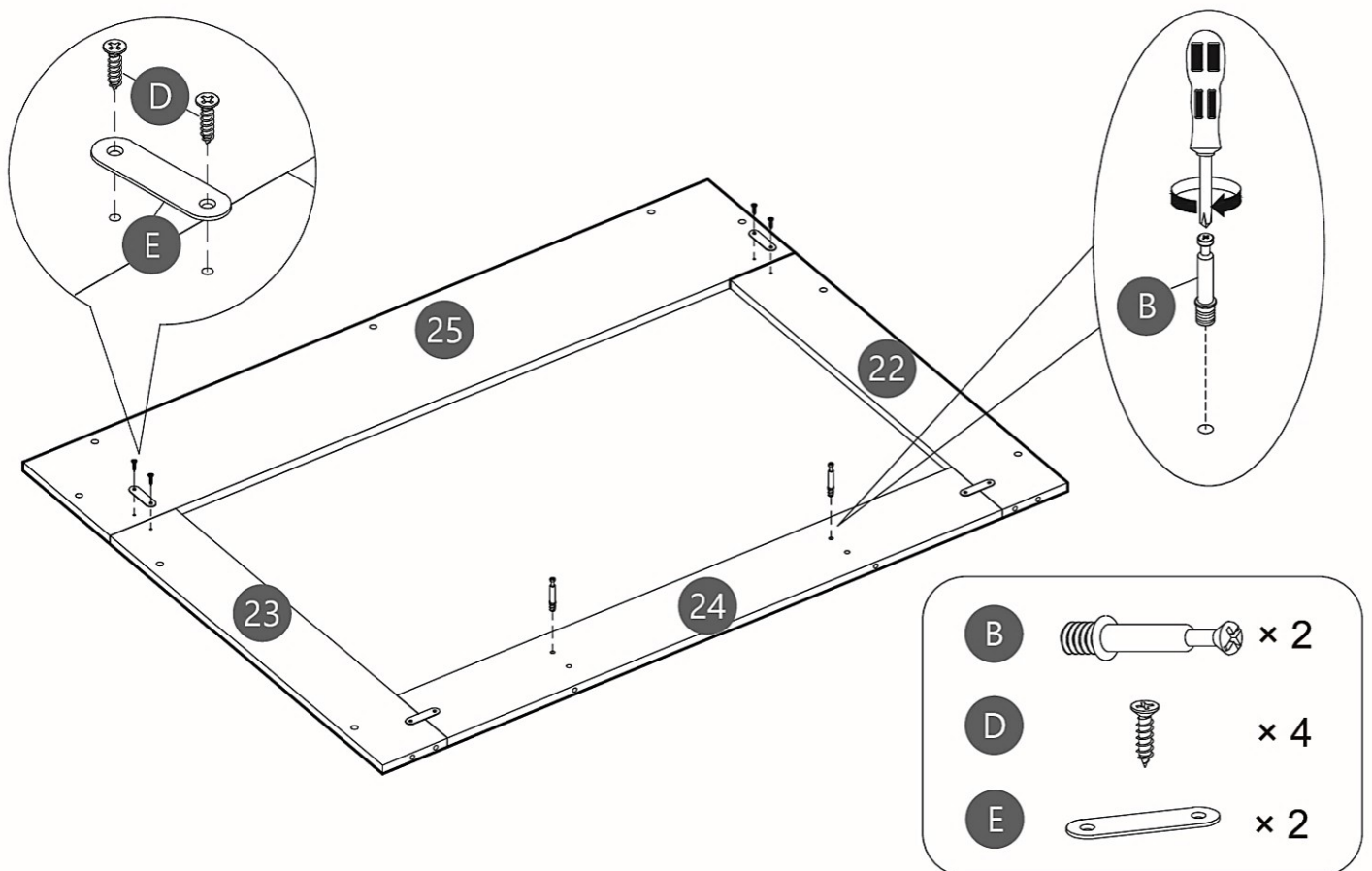
Step 8



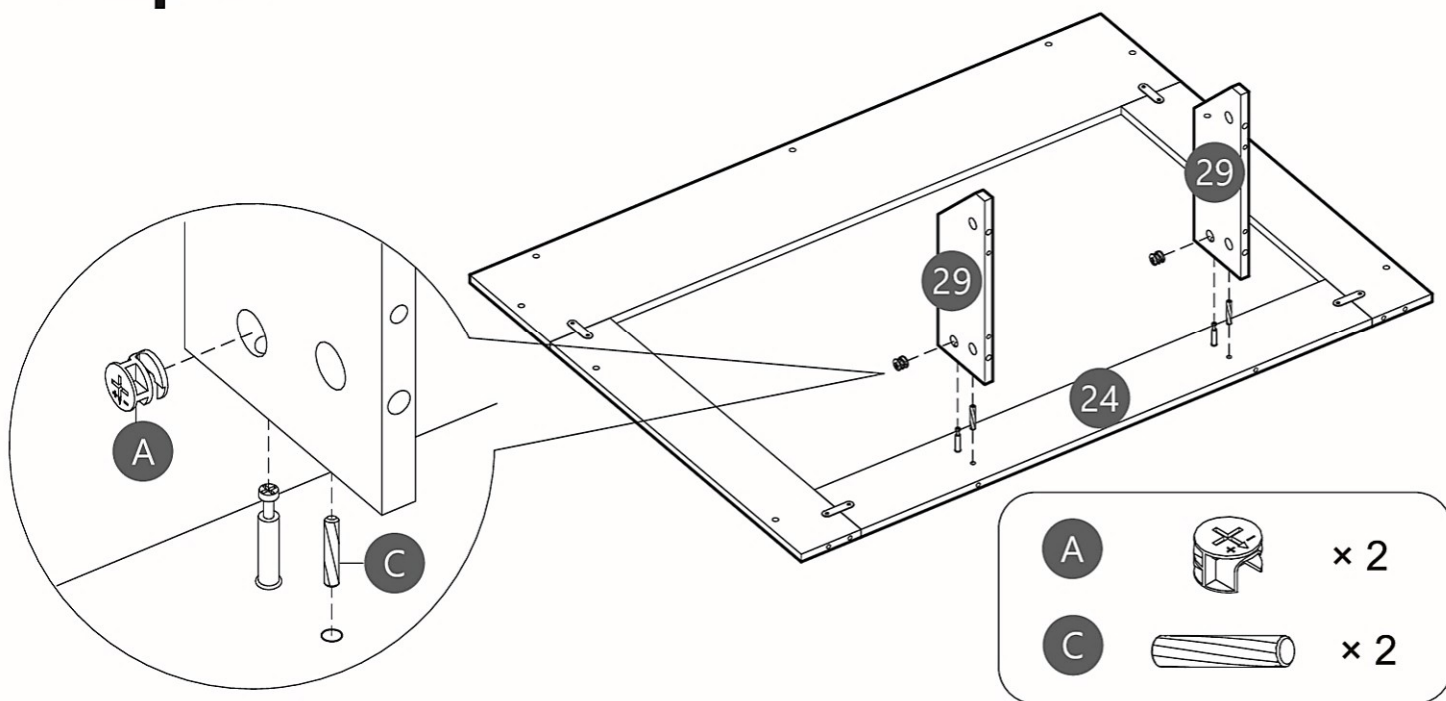
Step 9



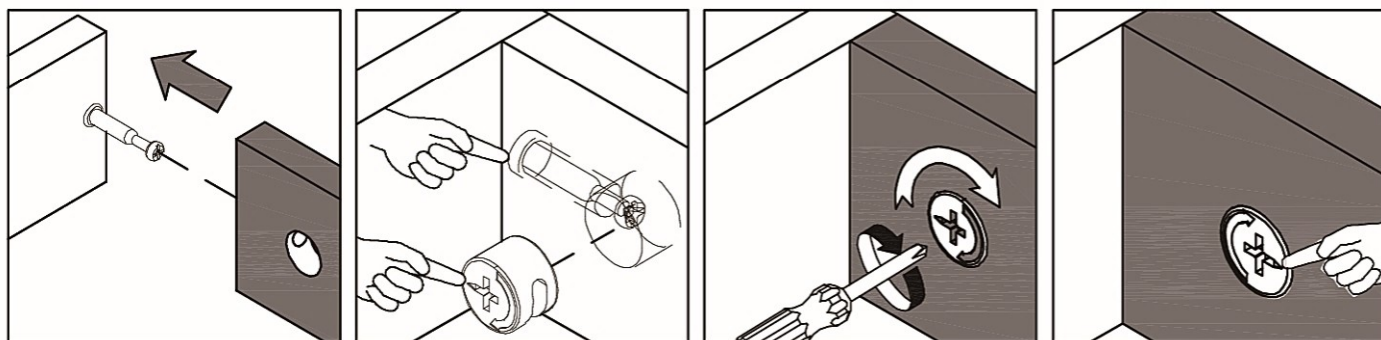
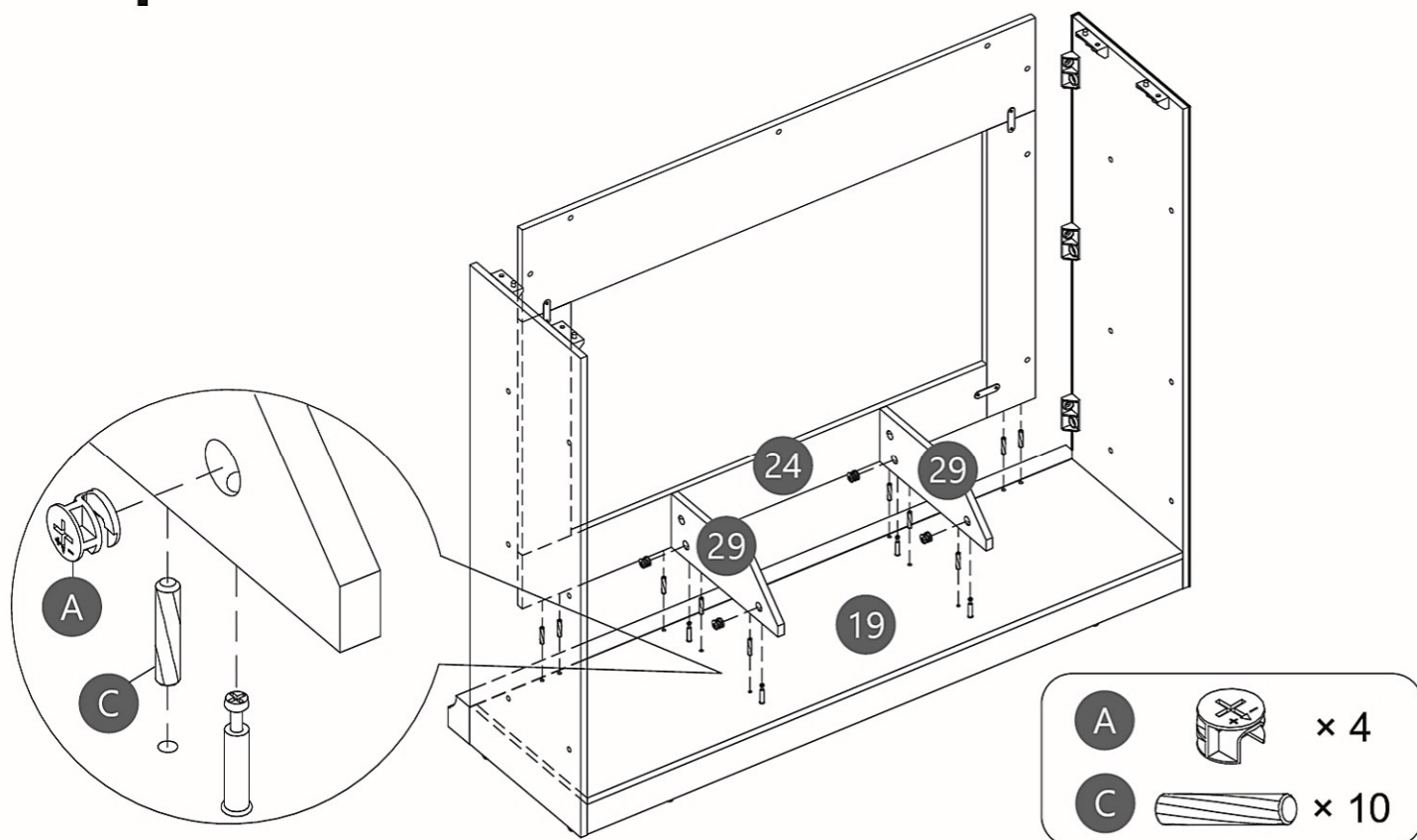
Step 10



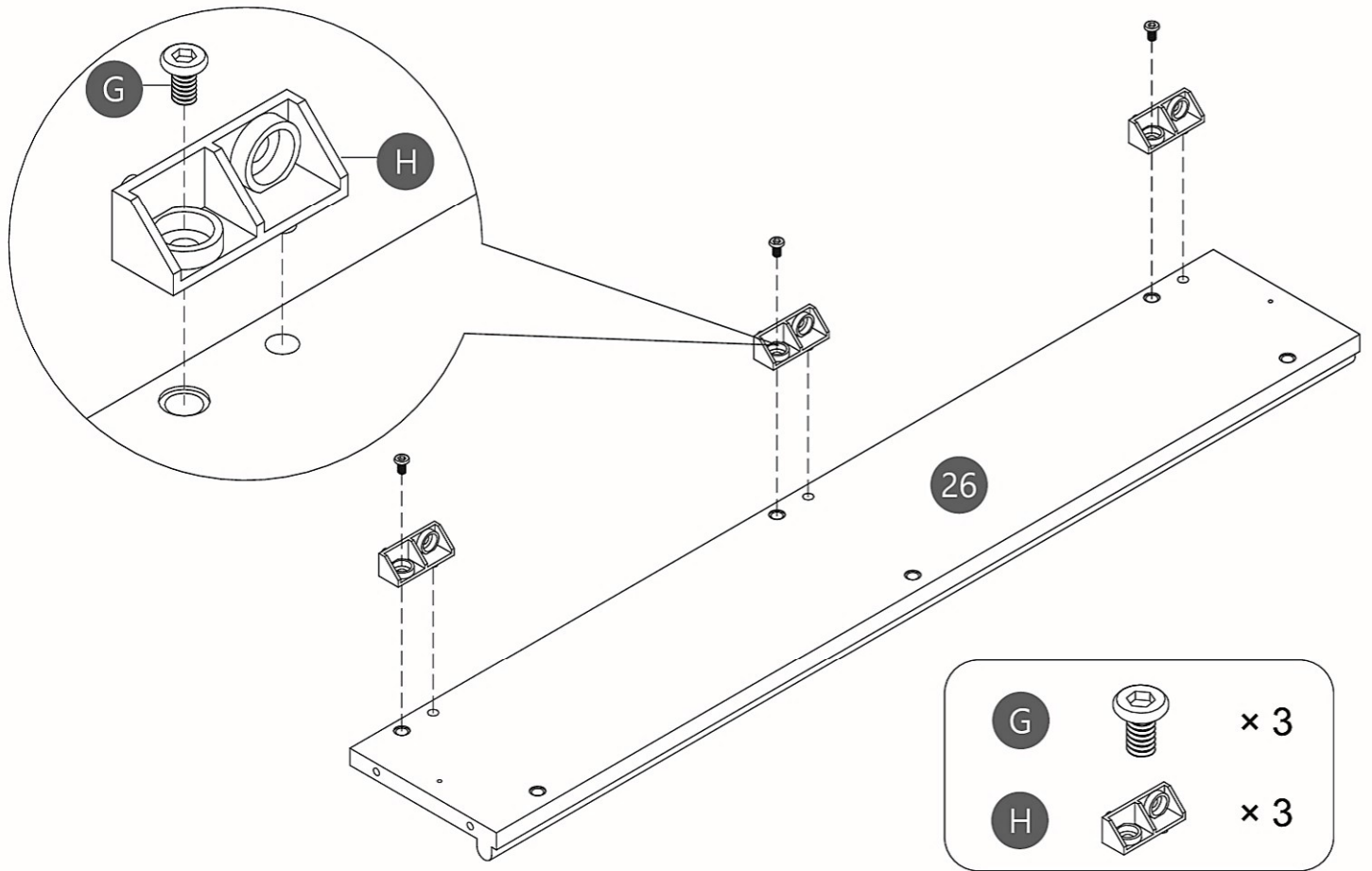
Step 11



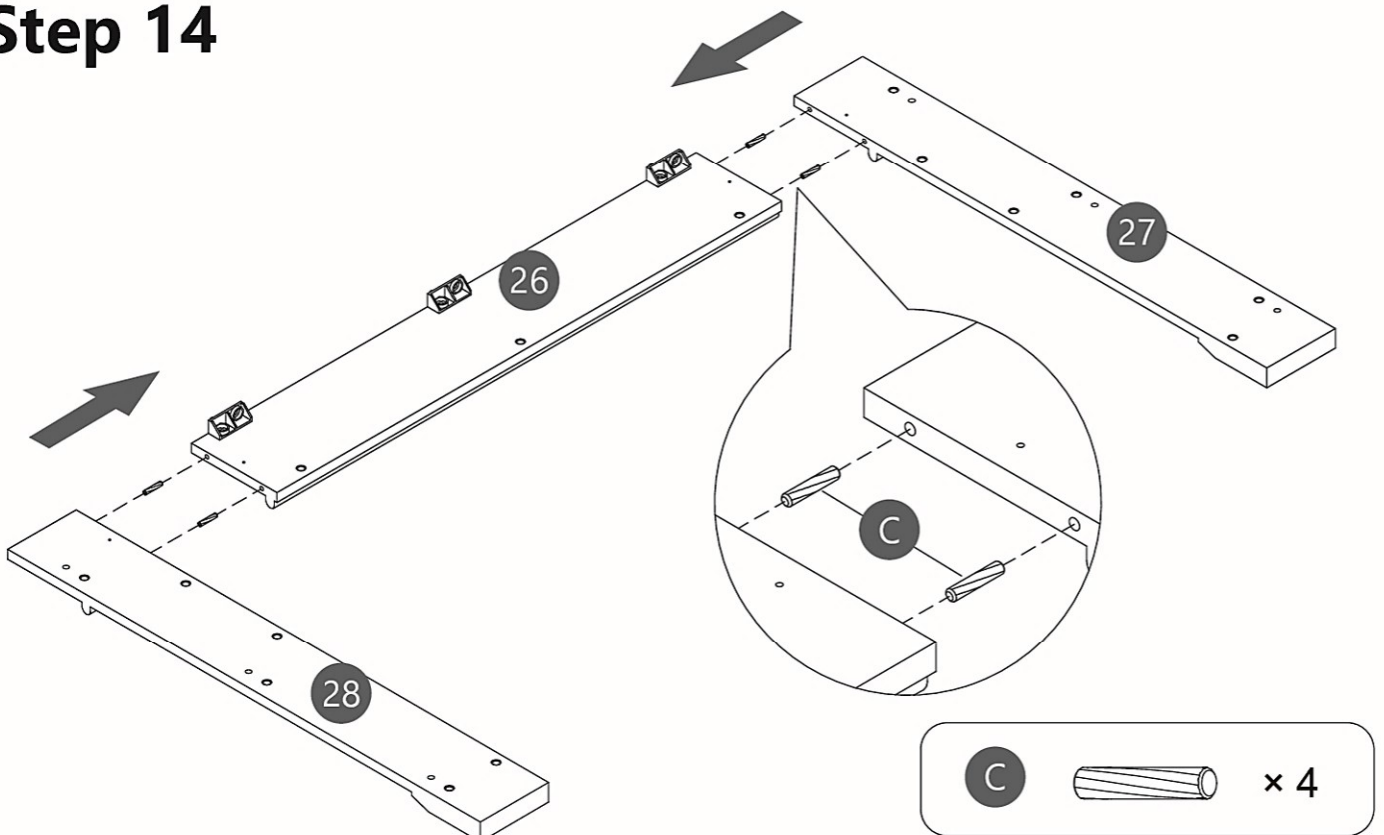
Step 12



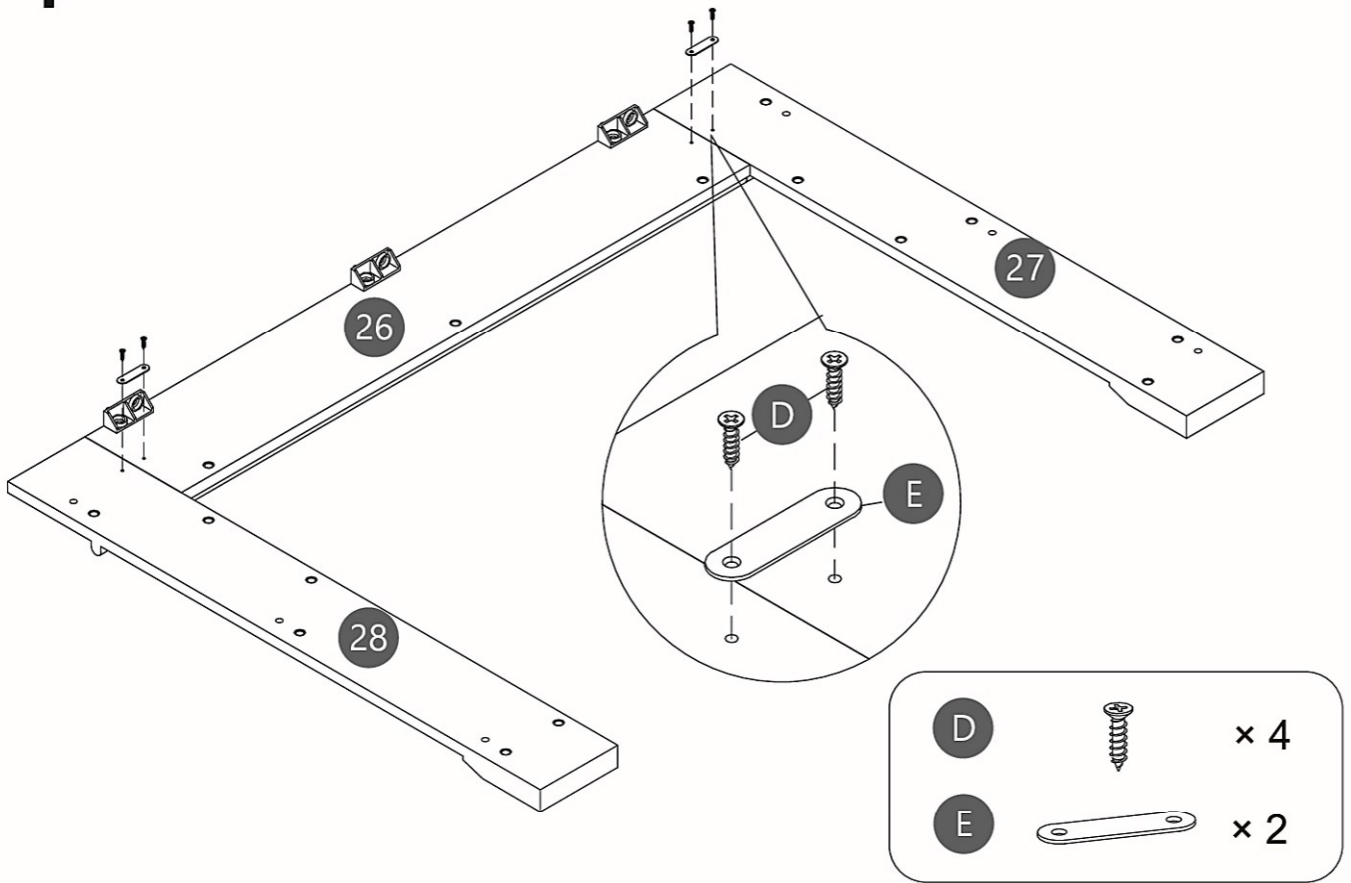
Step 13



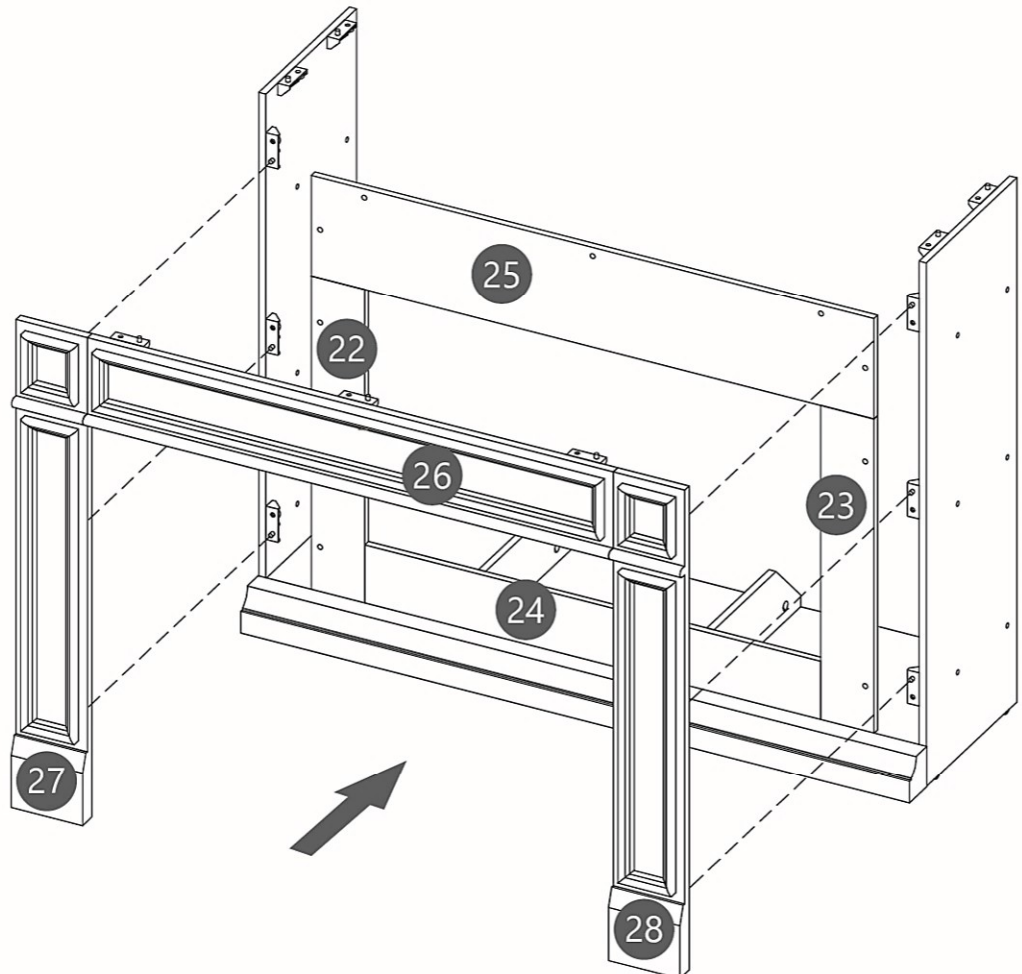
Step 14



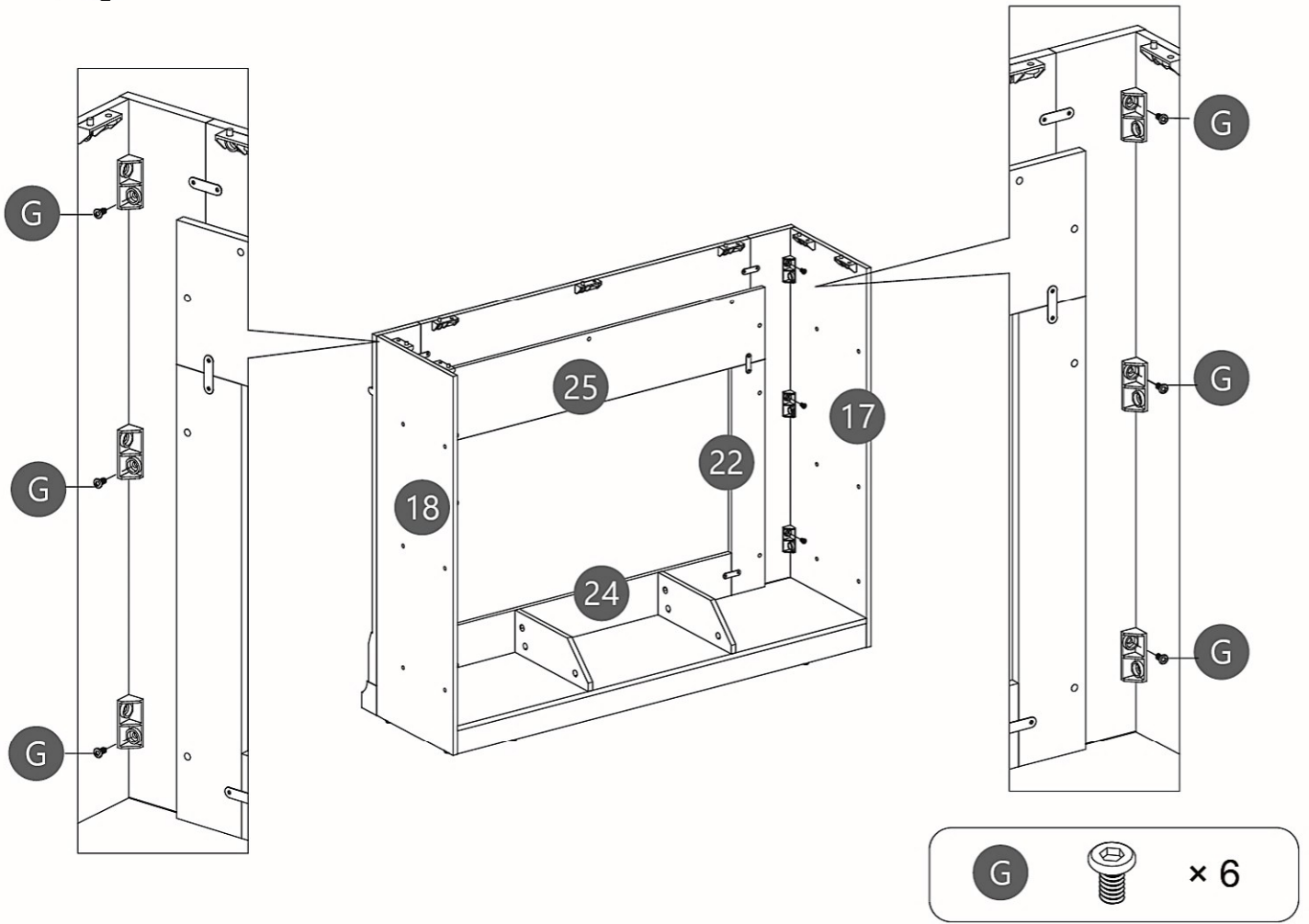
Step 15



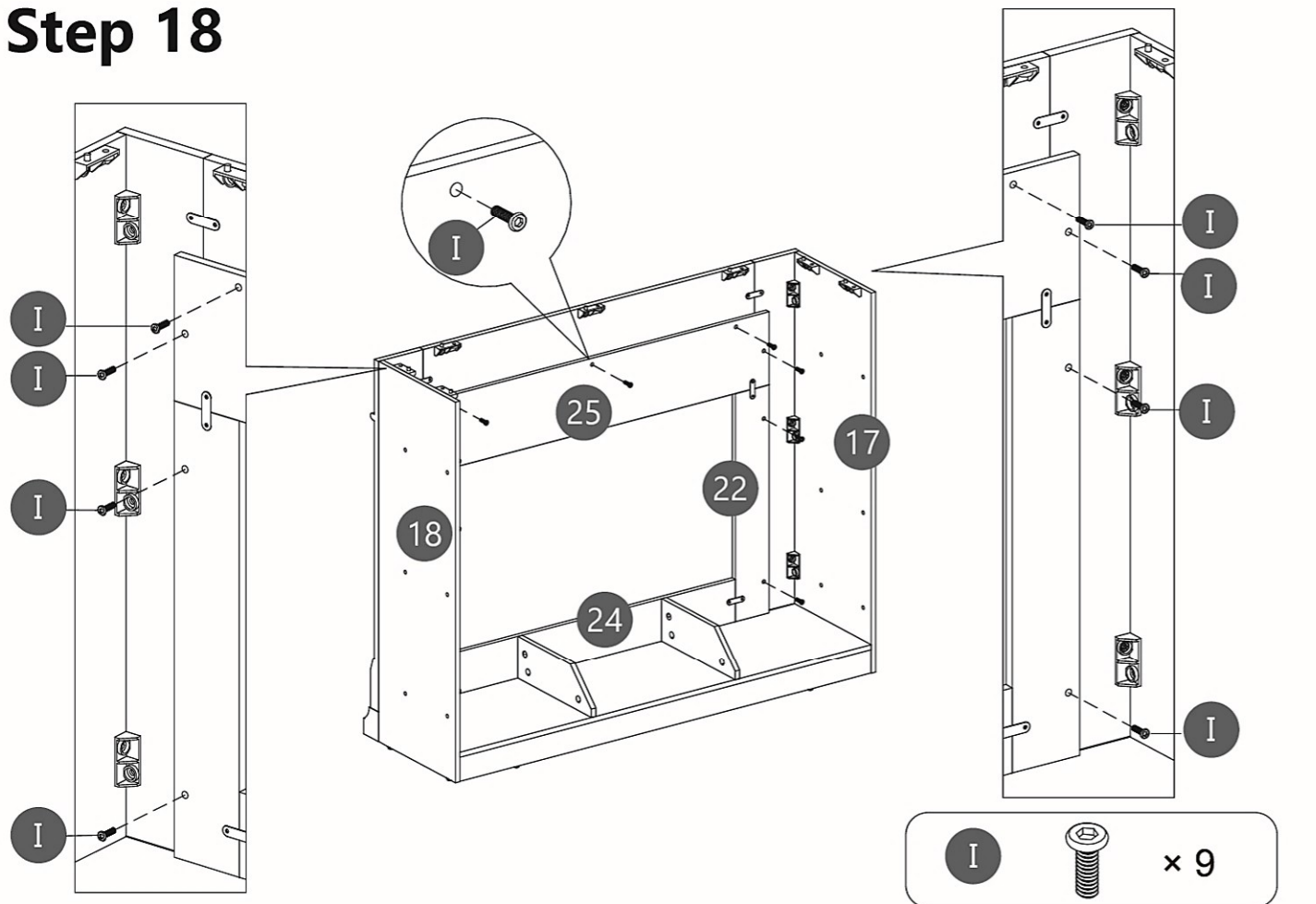
Step 16



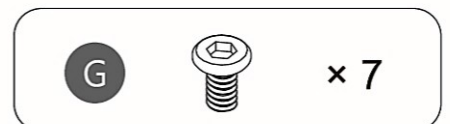
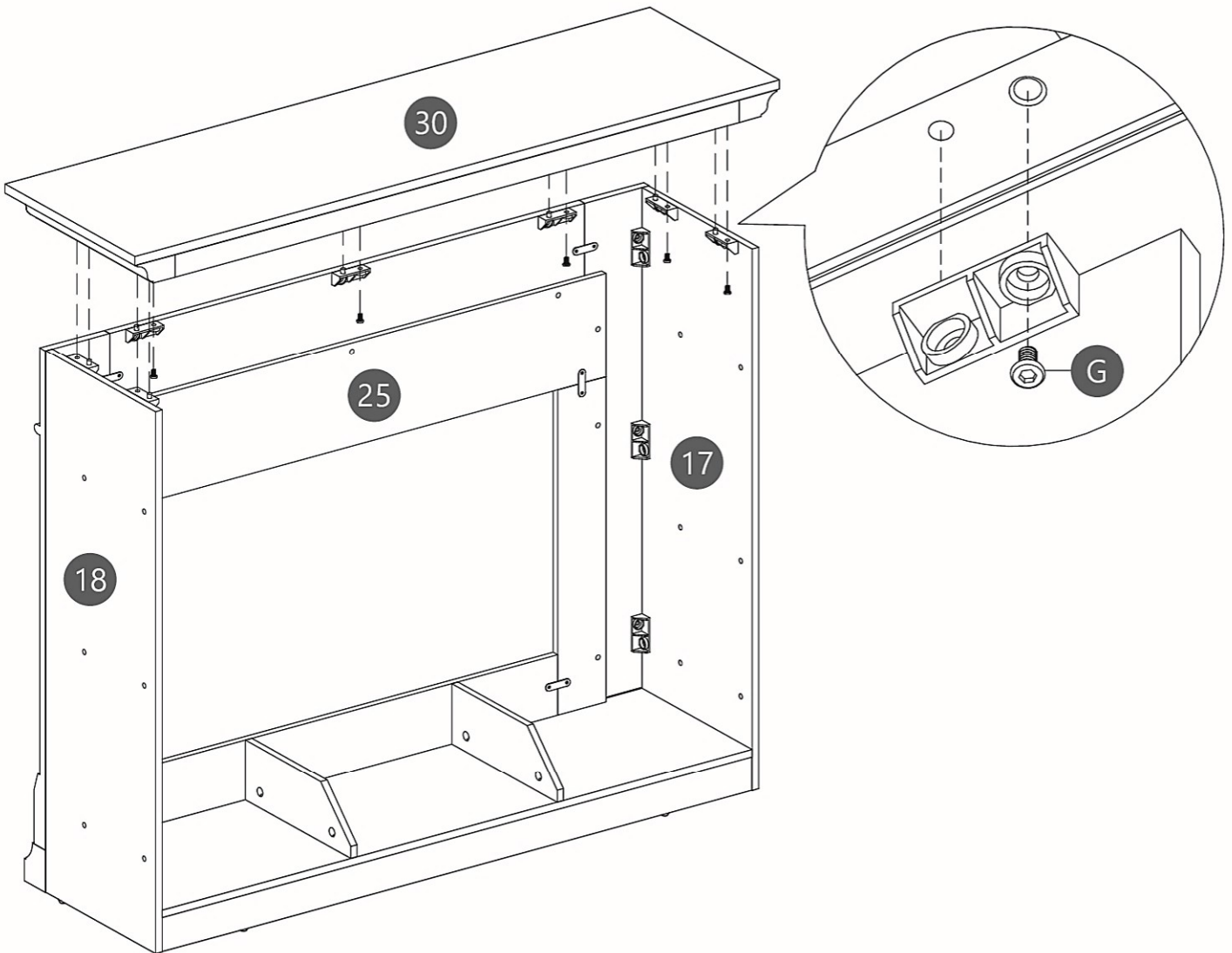
Step 17



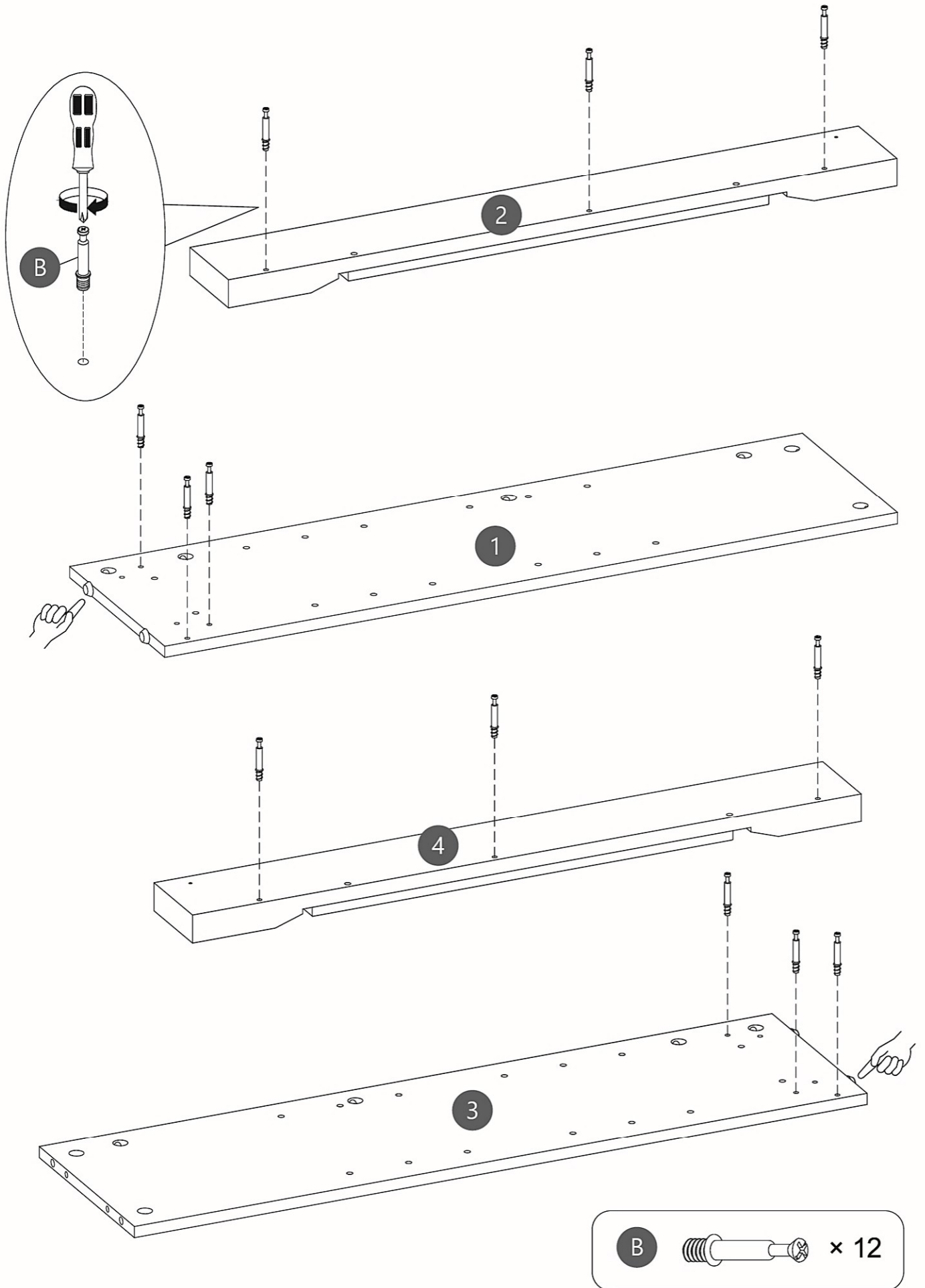
Step 18



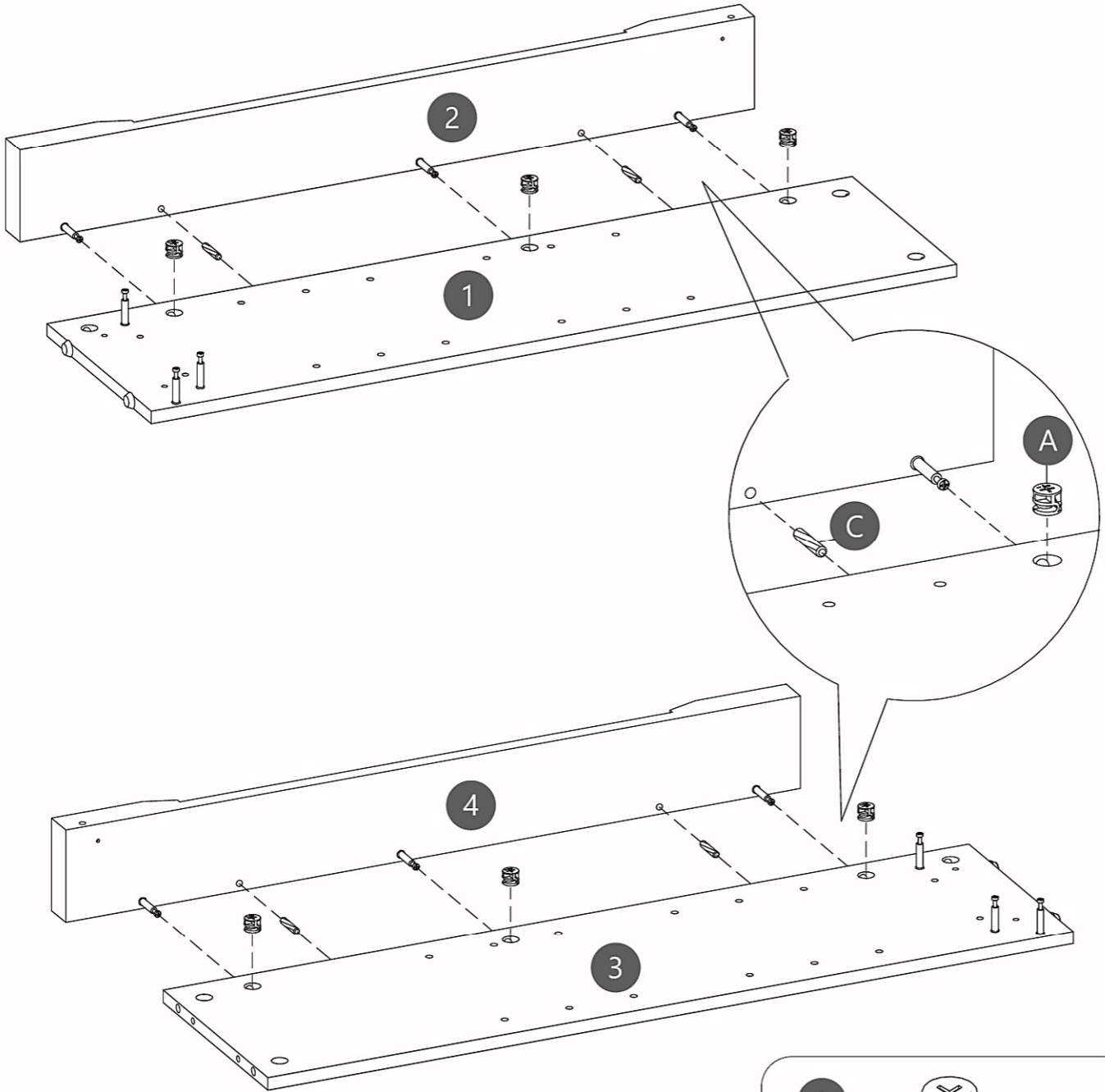
Step 19





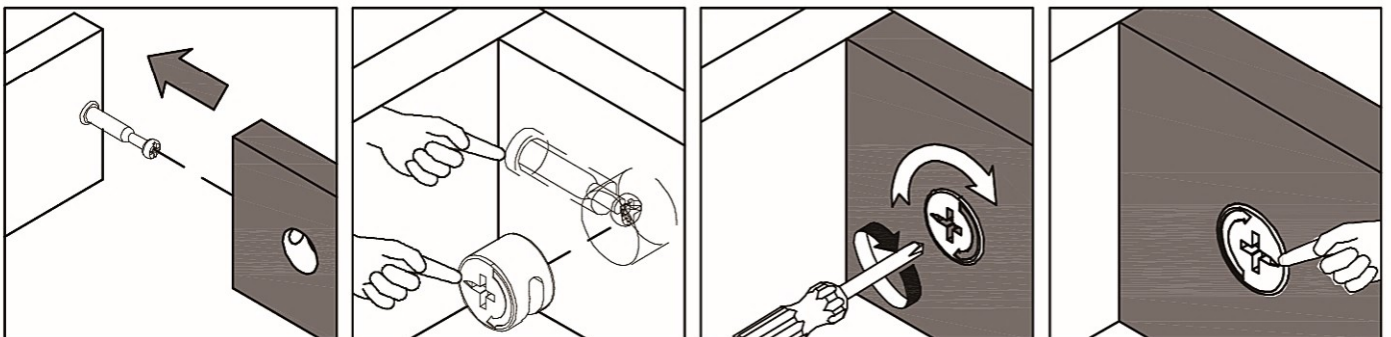
Step 20



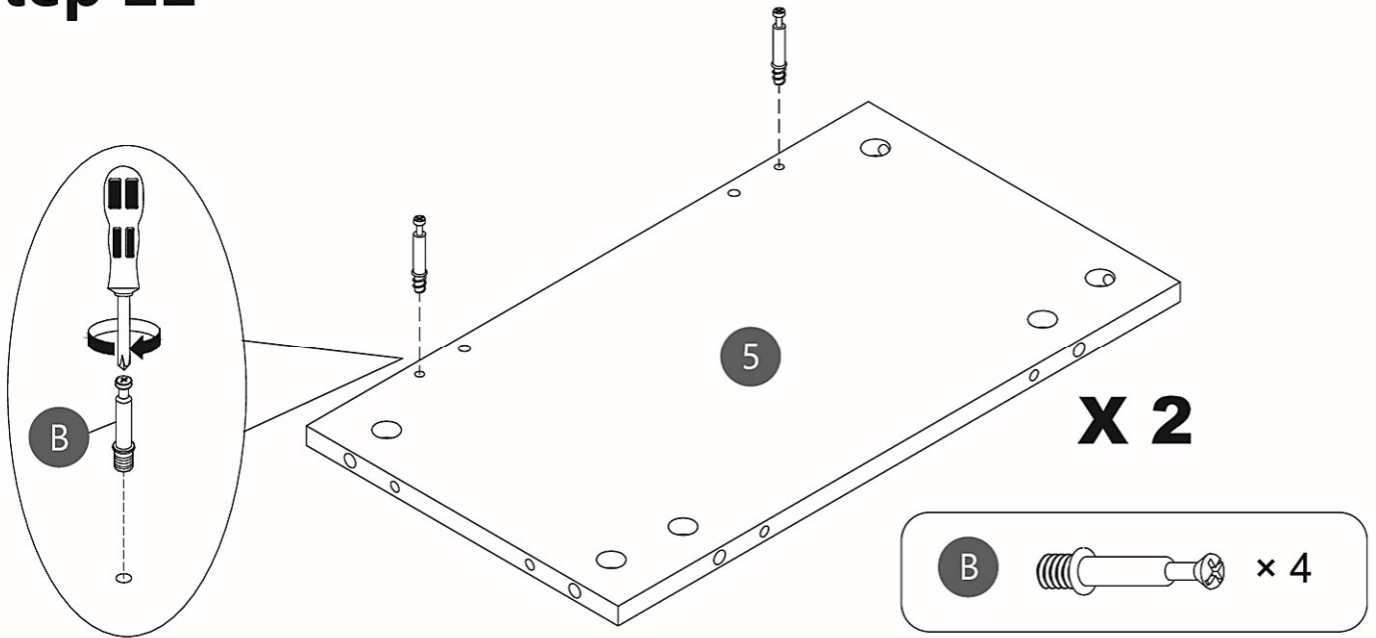
Step 21



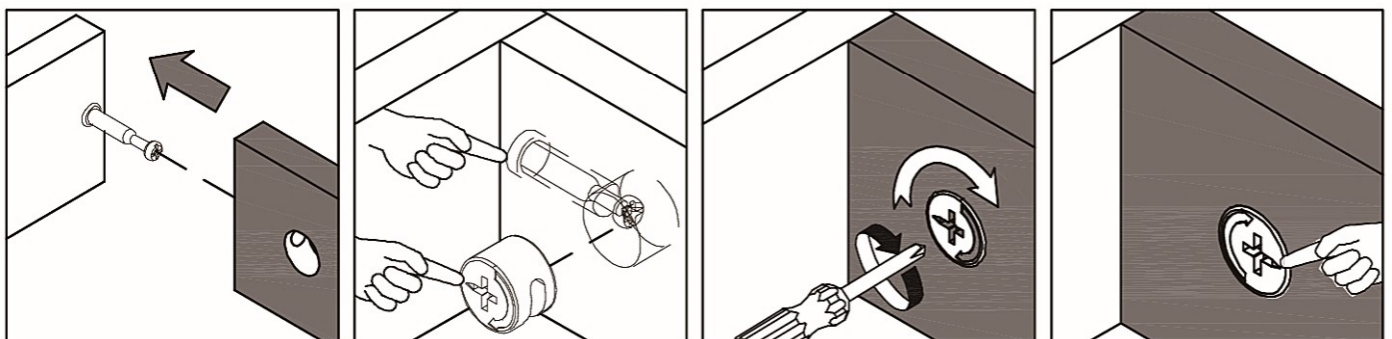
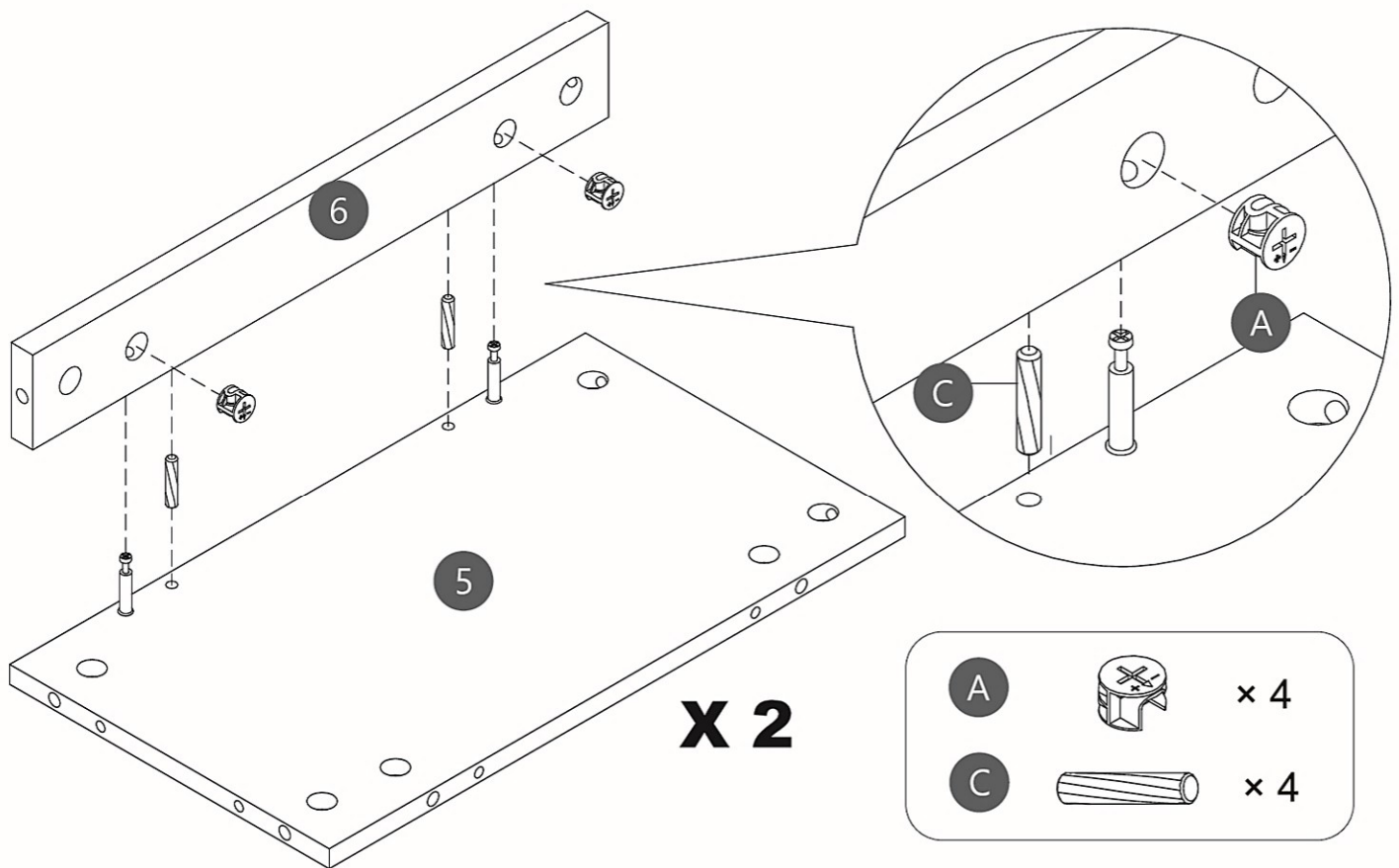
- A  × 6
- C  × 4



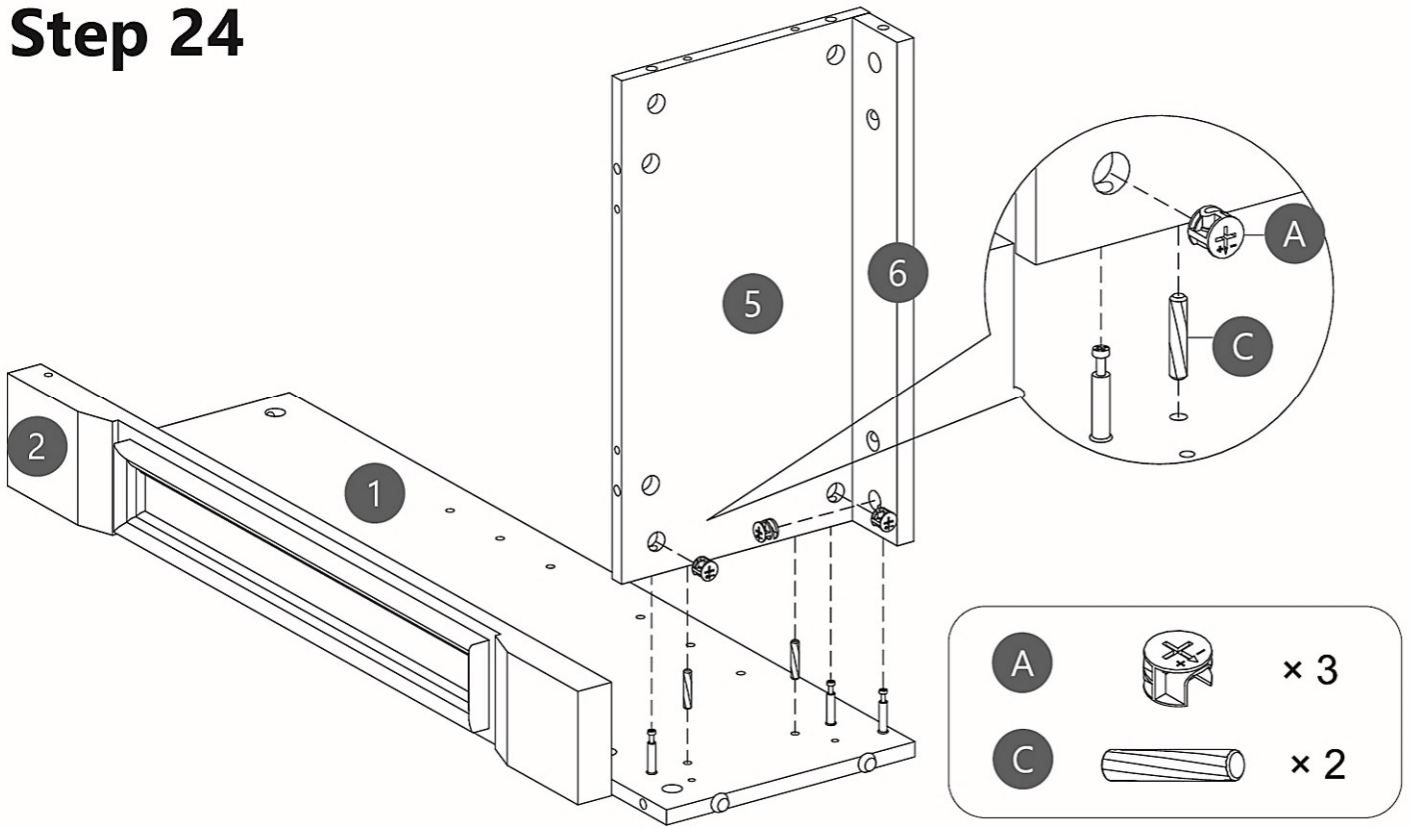
Step 22



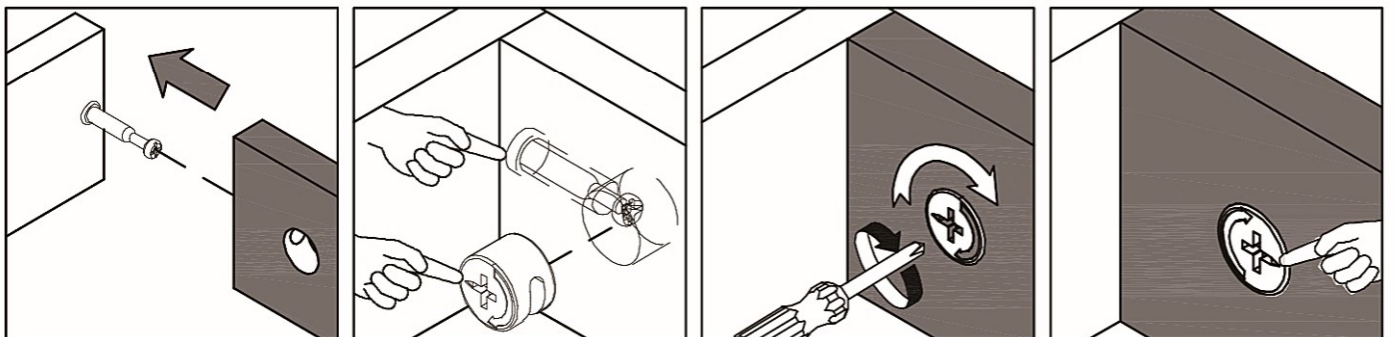
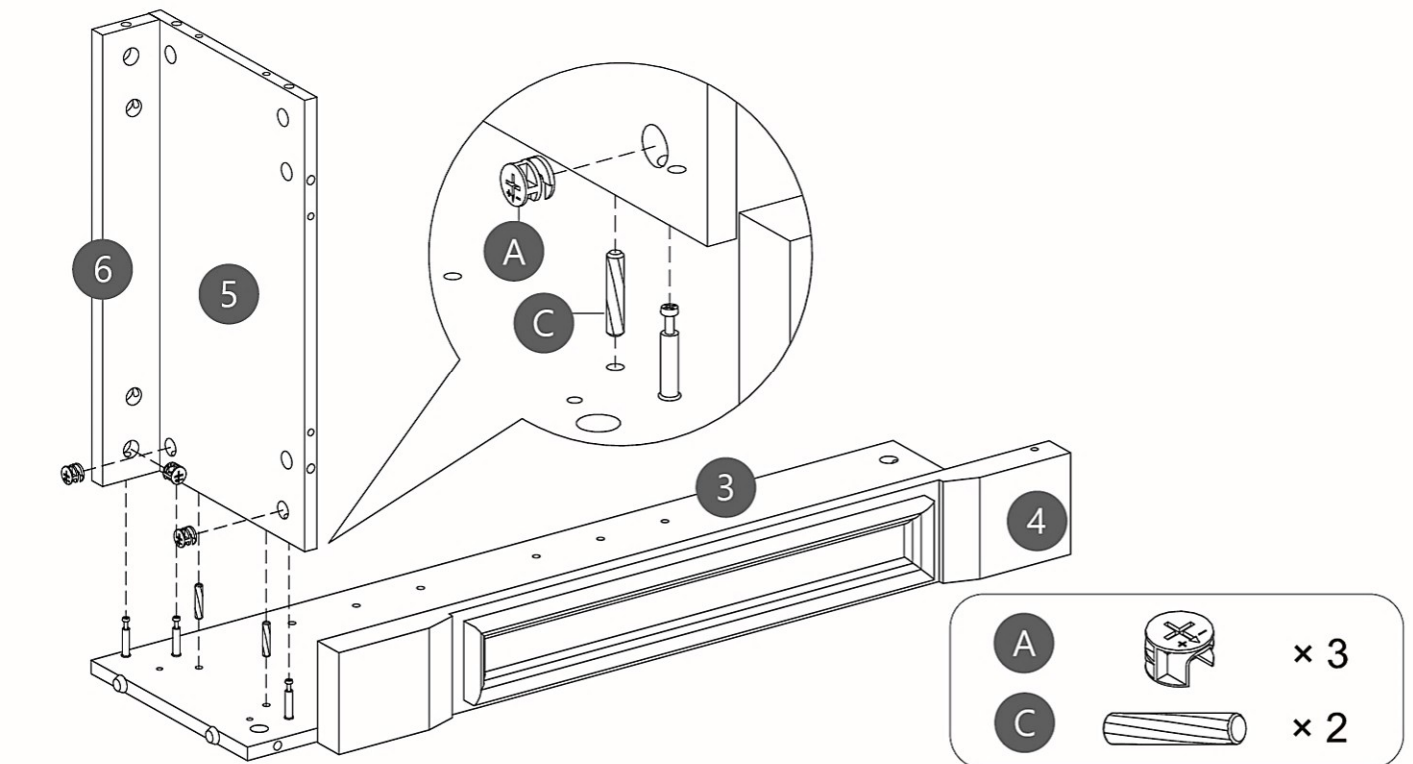
Step 23



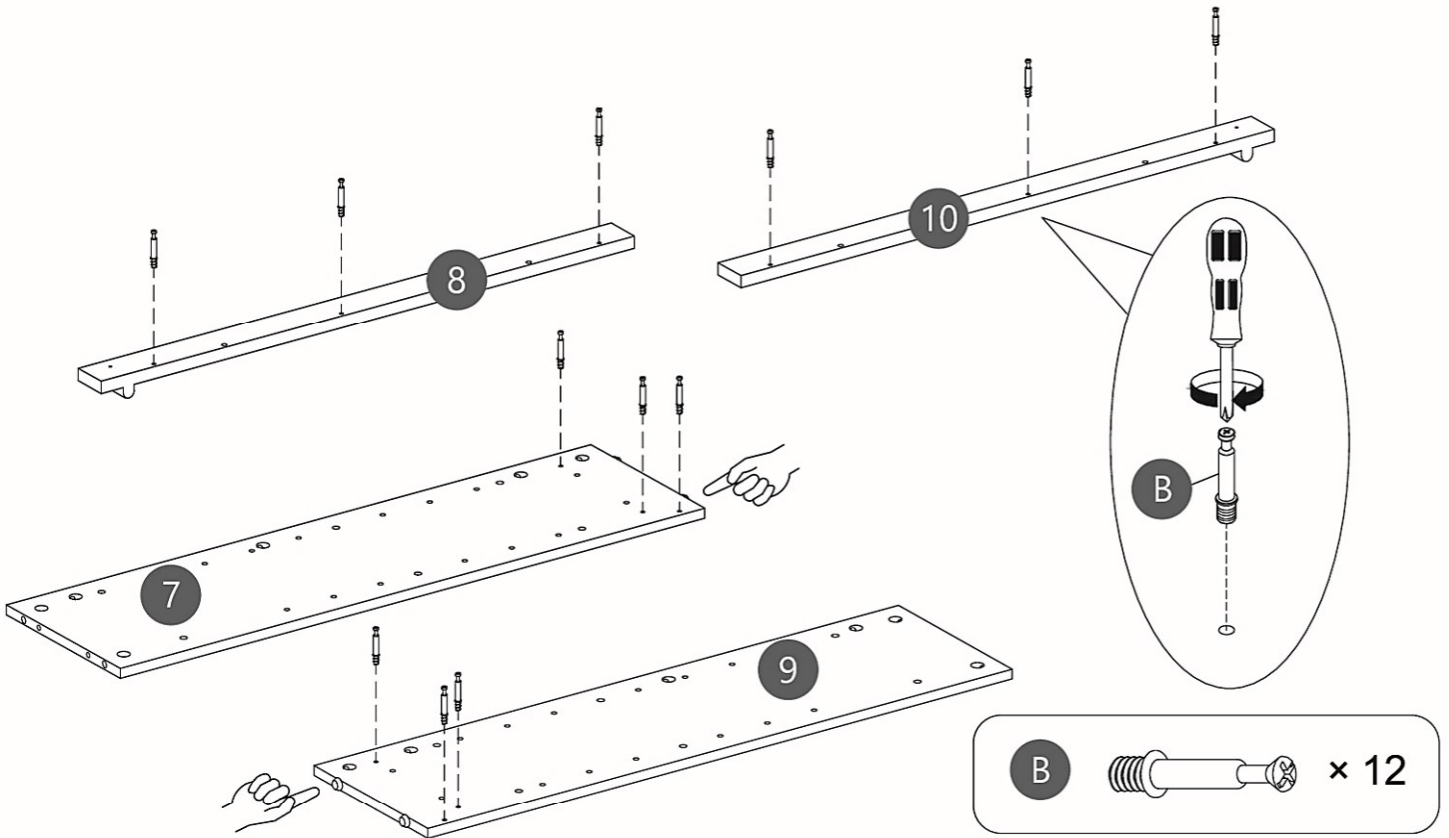
Step 24



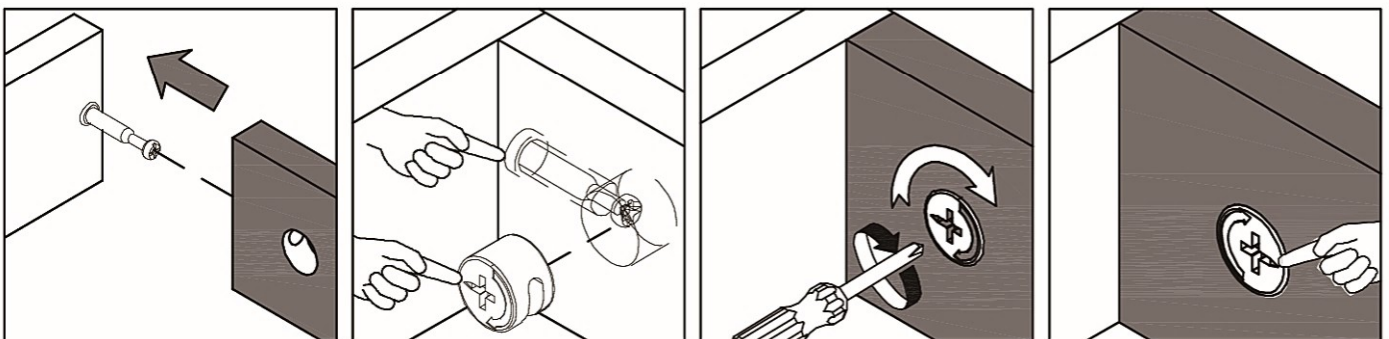
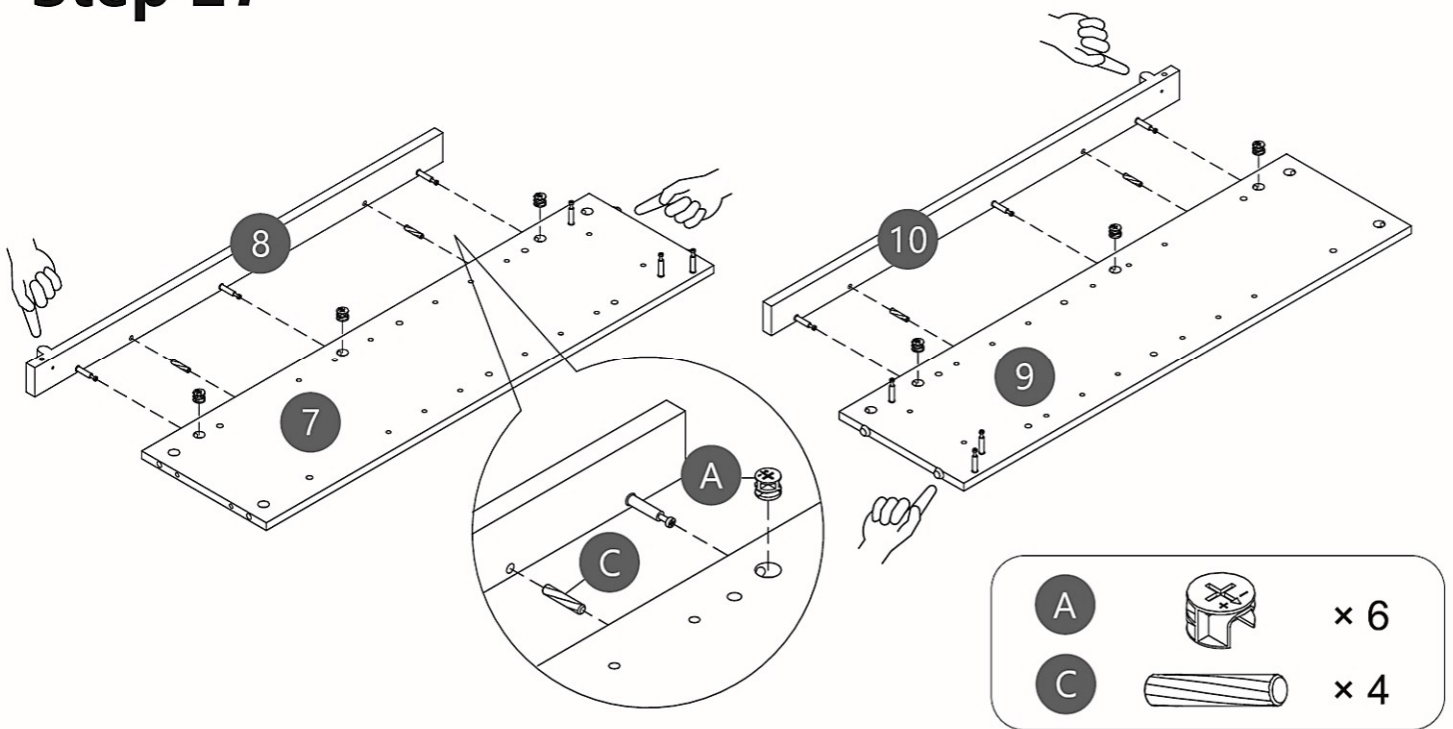
Step 25



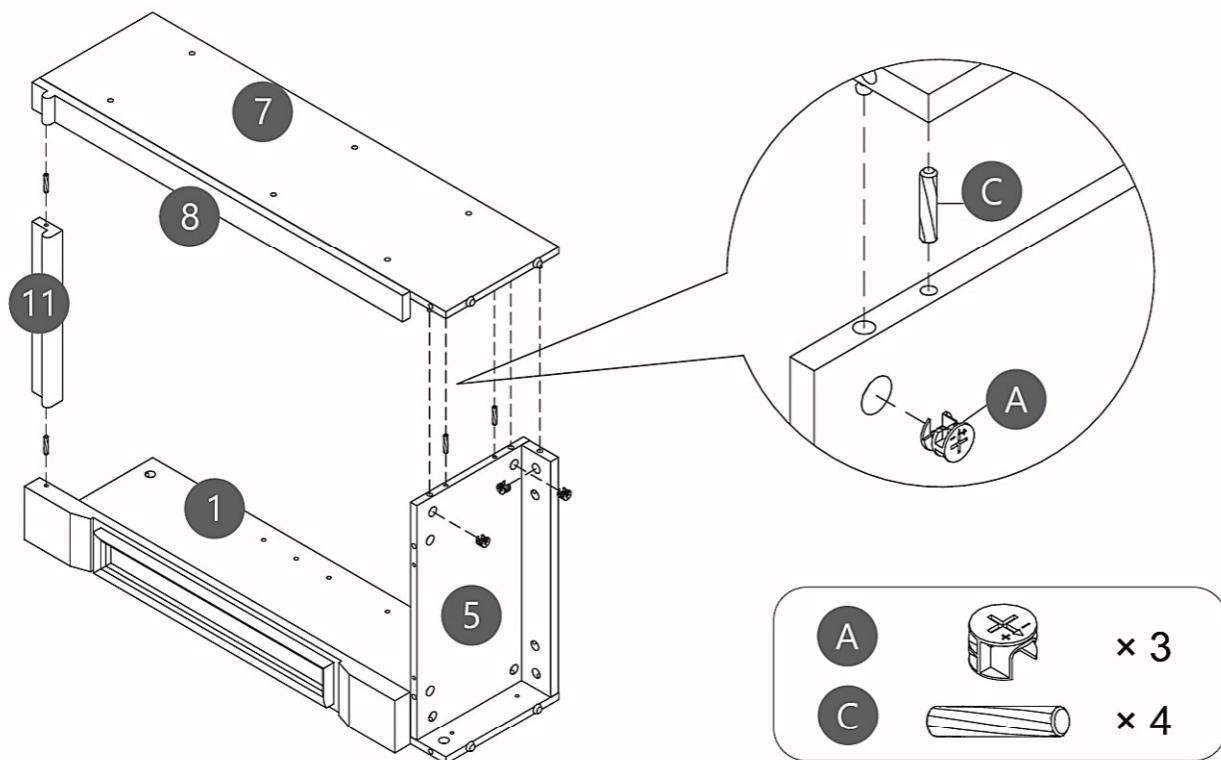
Step 26



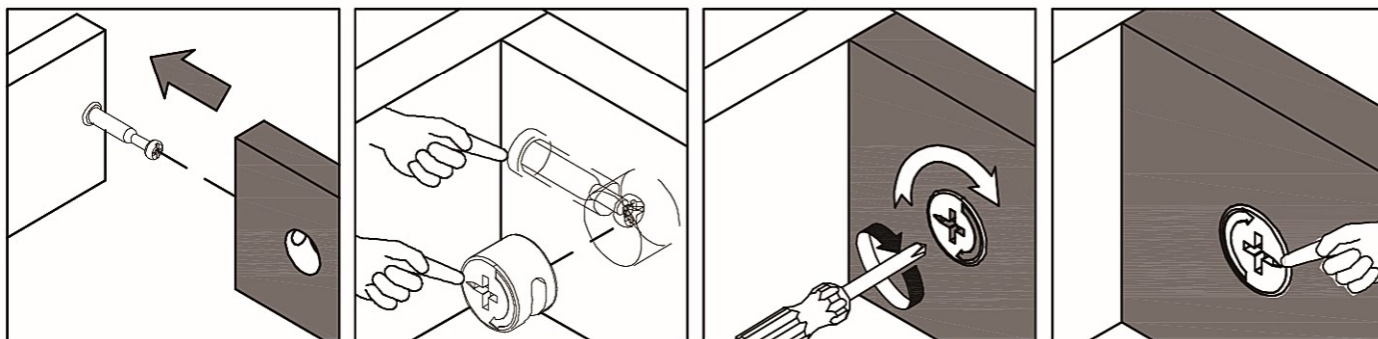
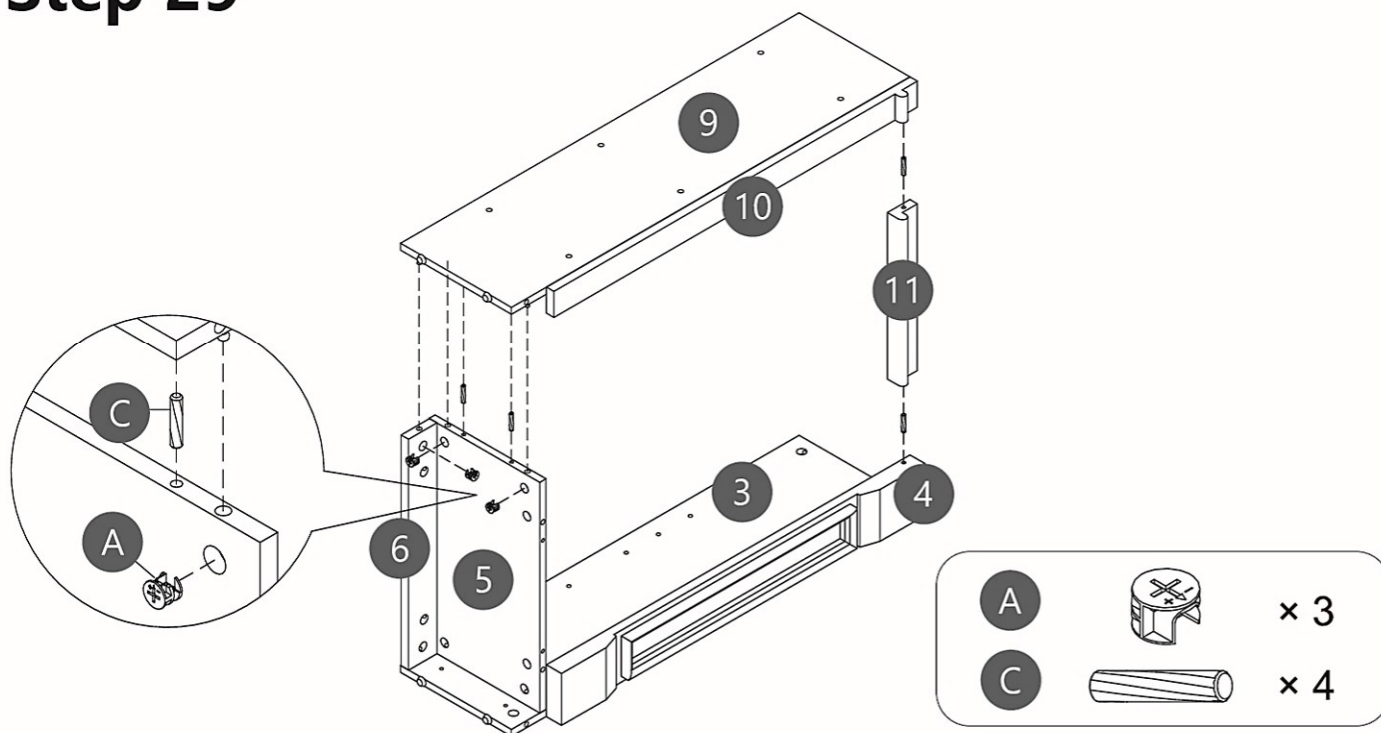
Step 27



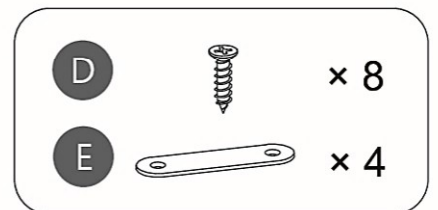
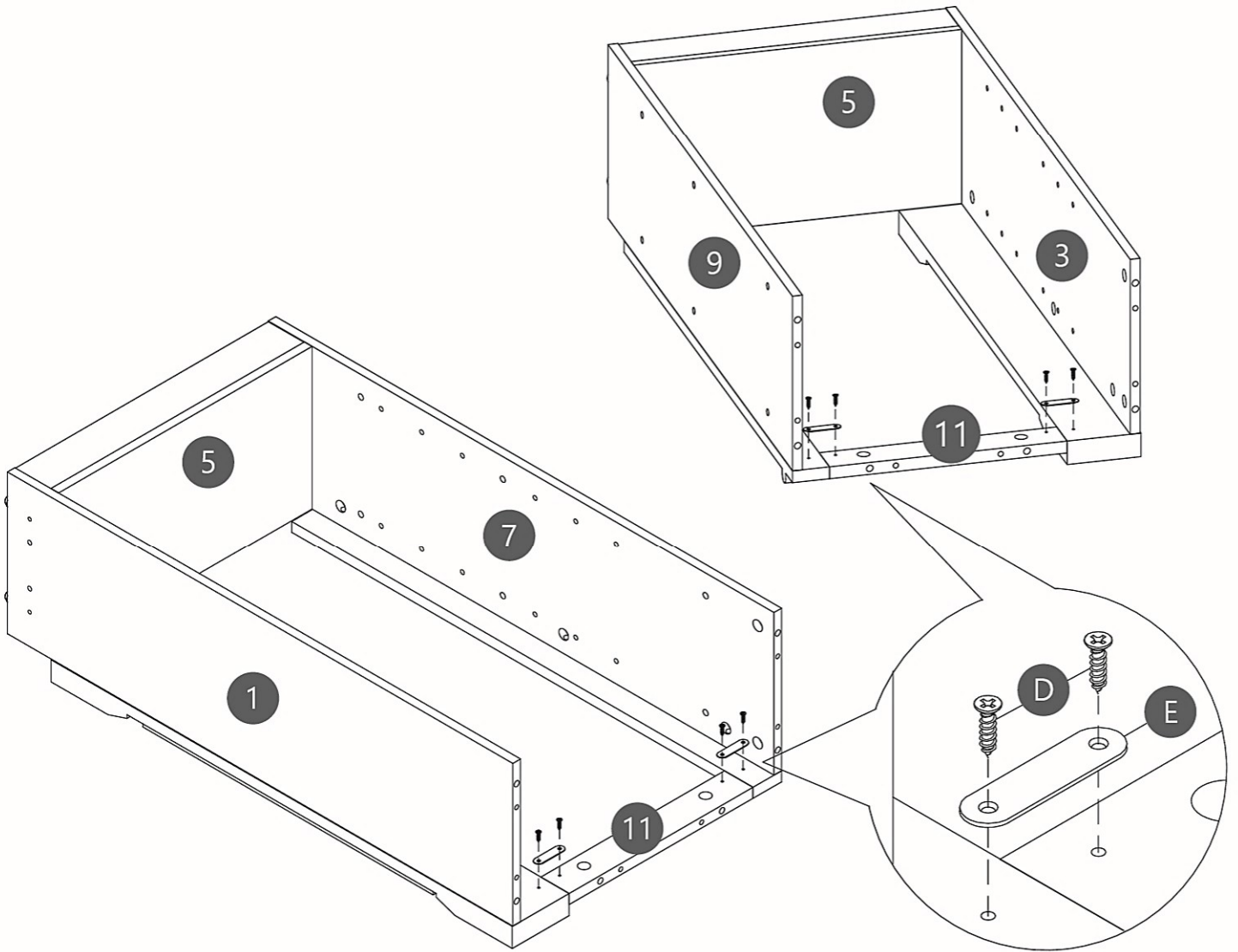
Step 28



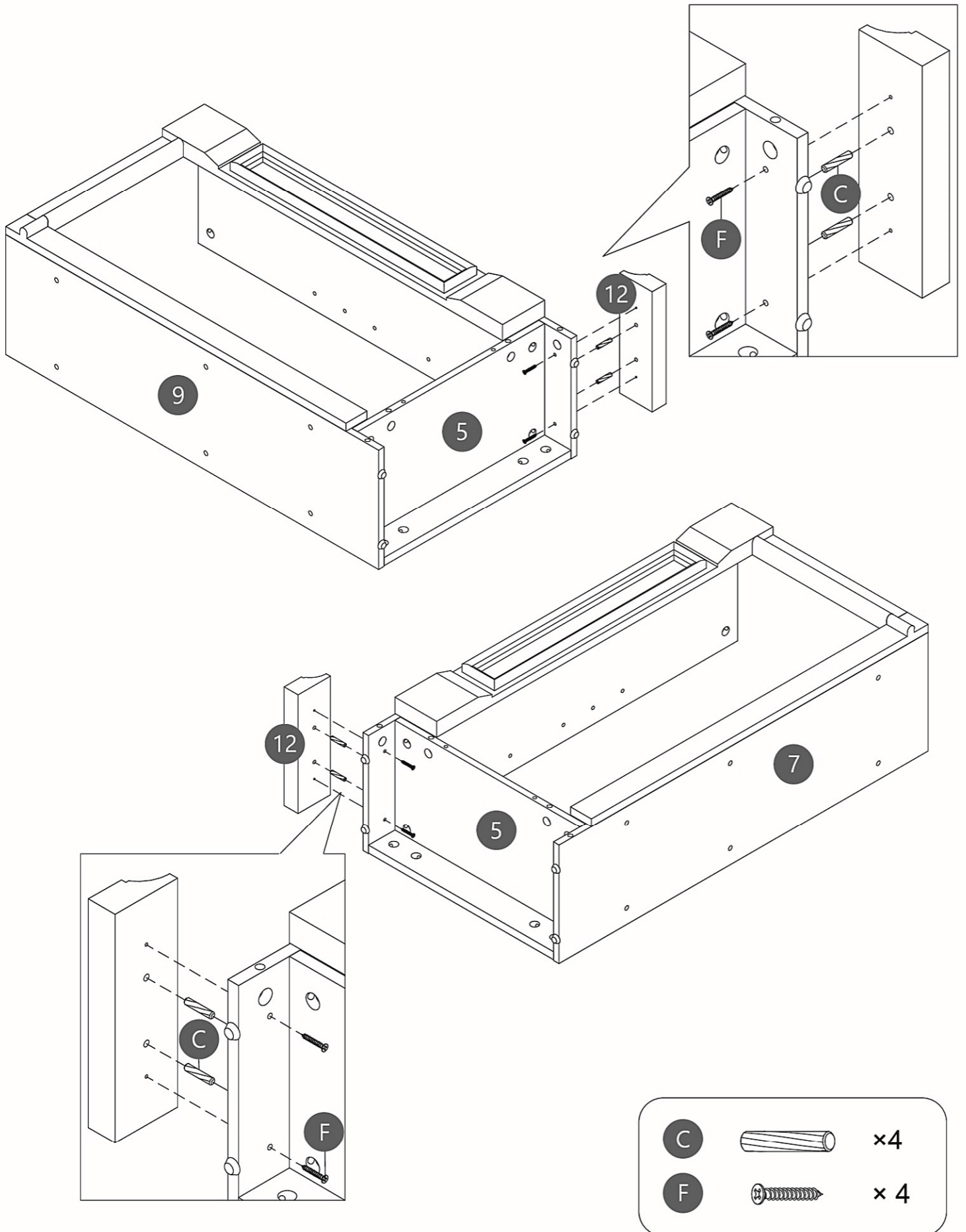
Step 29



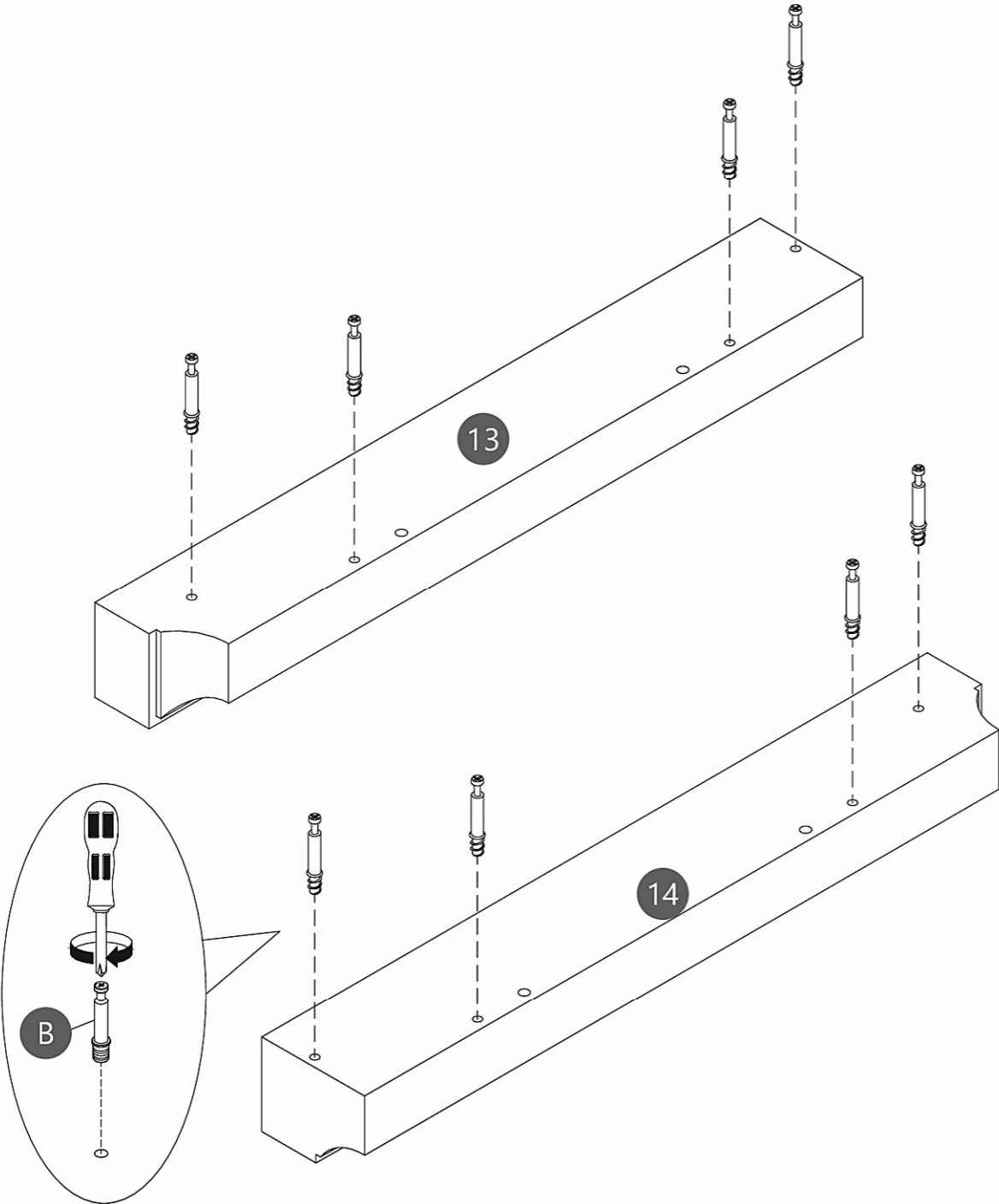
Step 30




Step 31

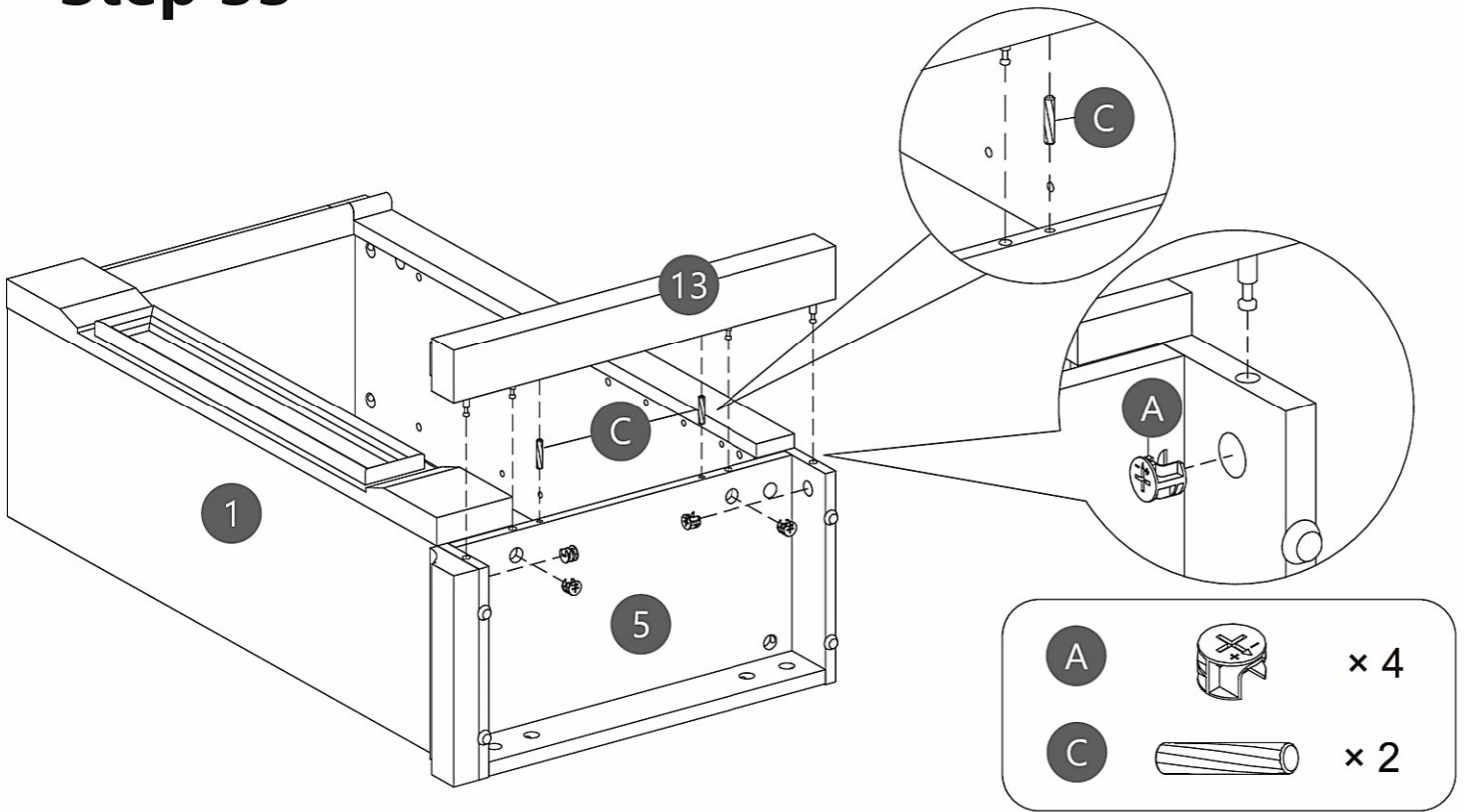


Step 32

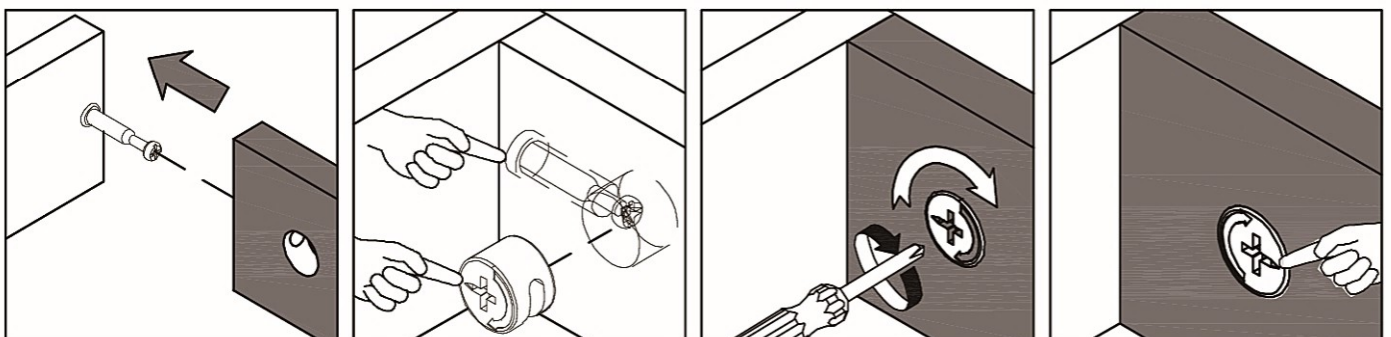
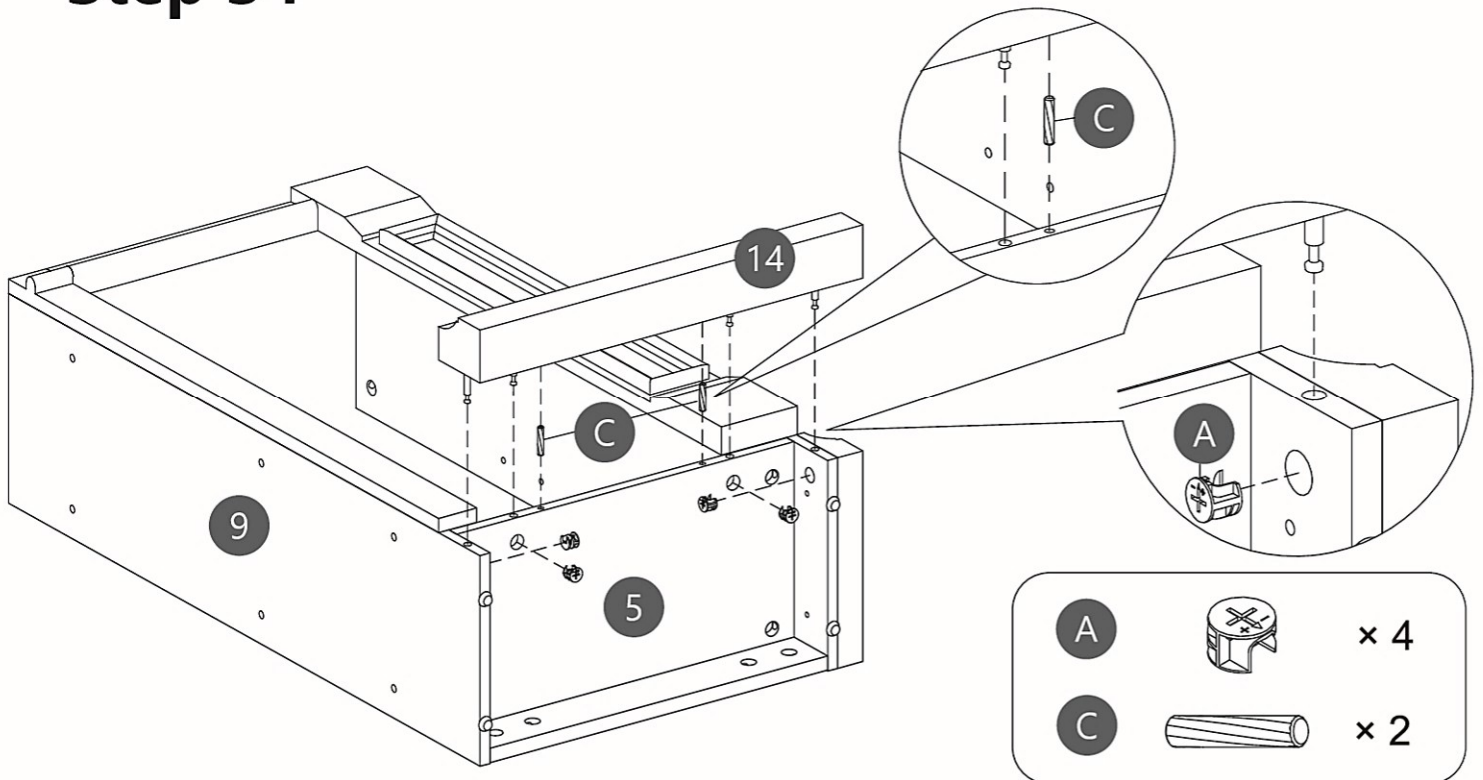


B  × 8

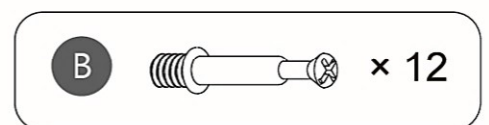
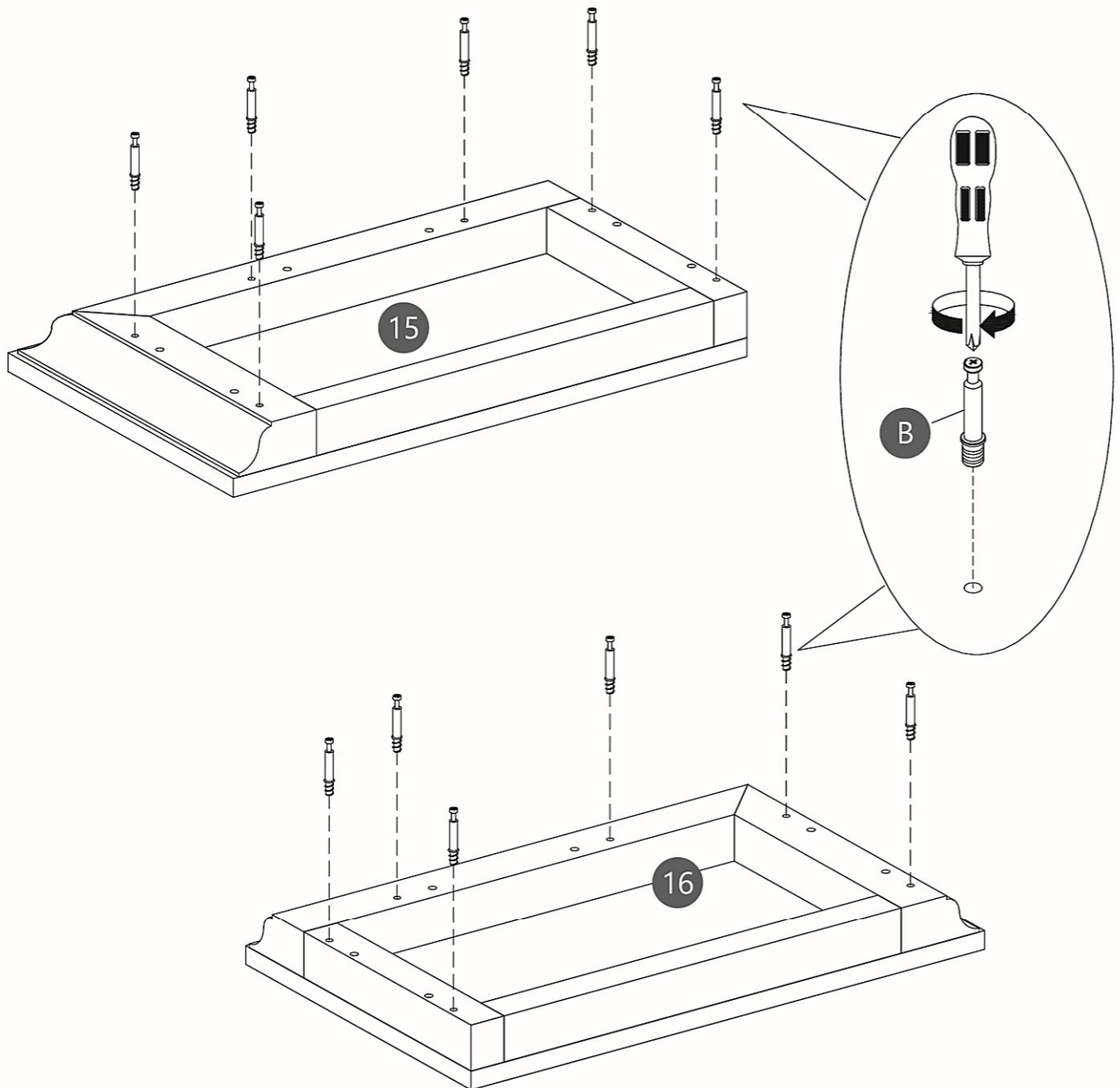
Step 33



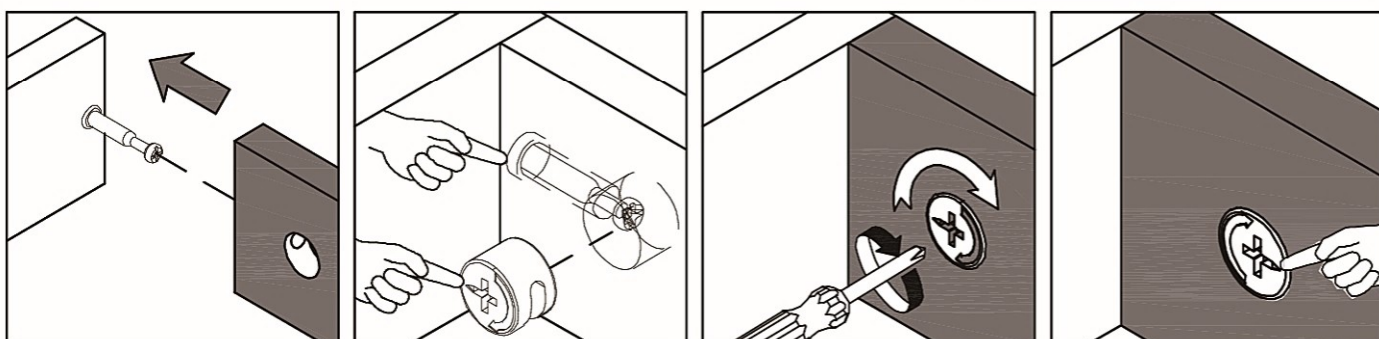
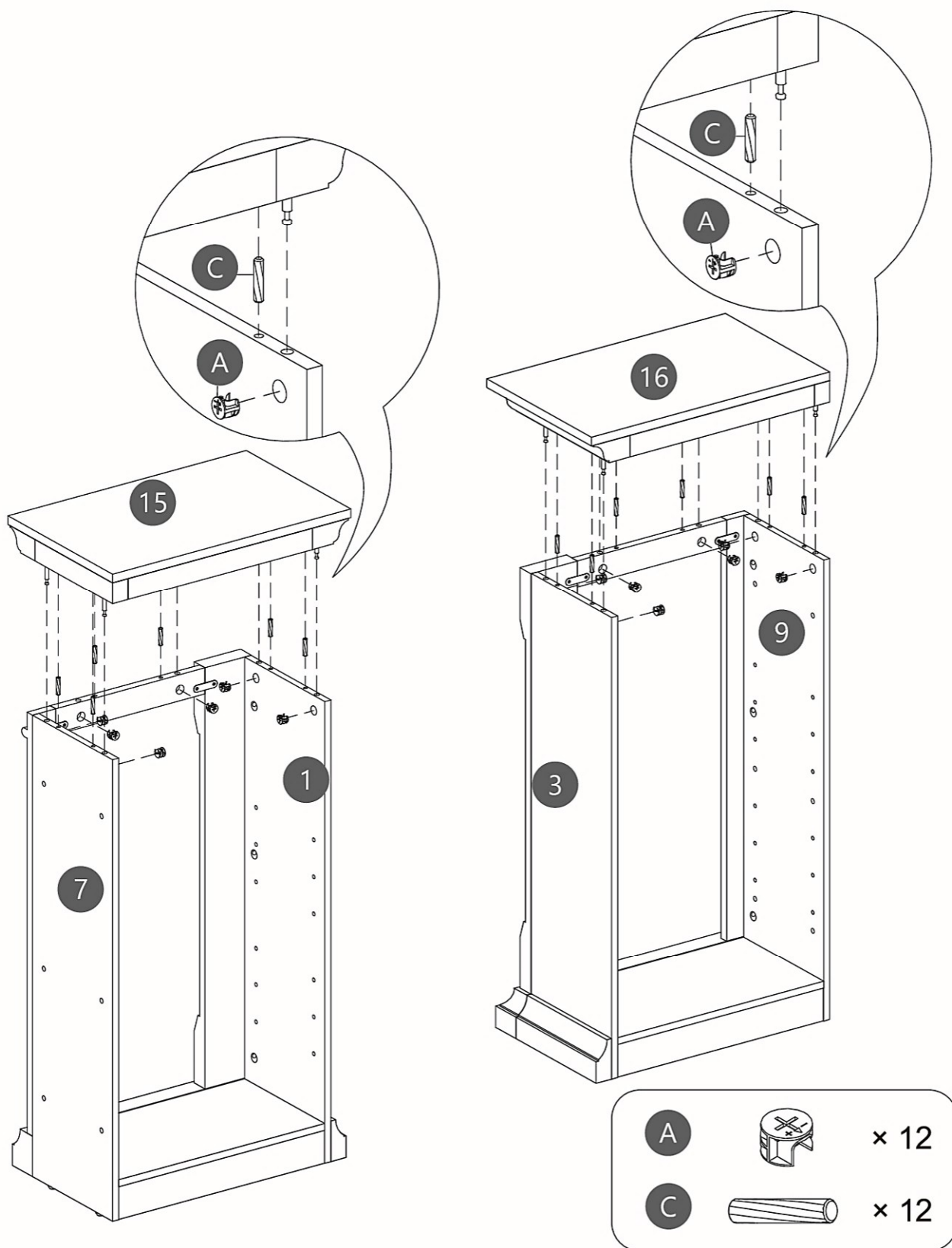
Step 34



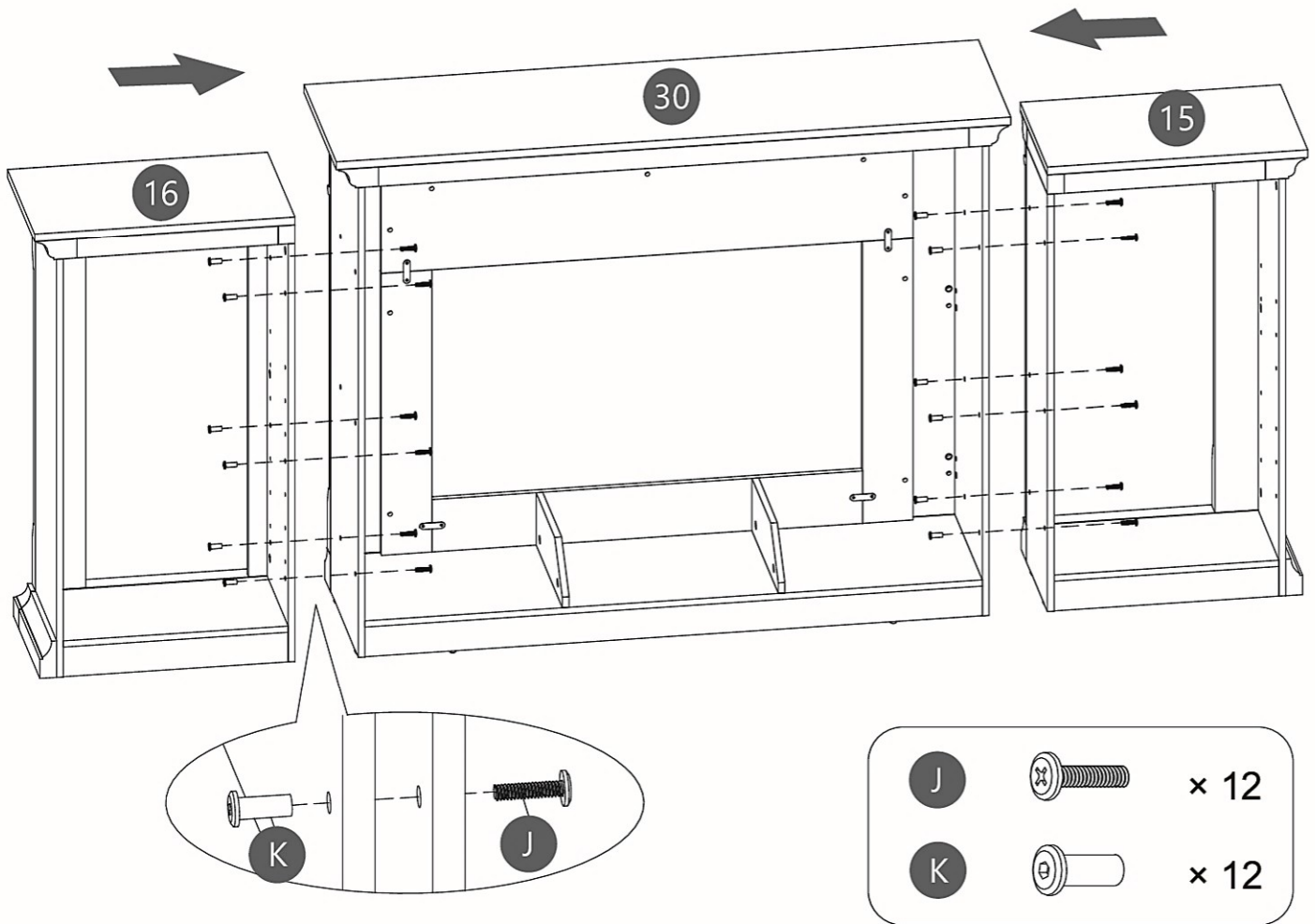
Step 35



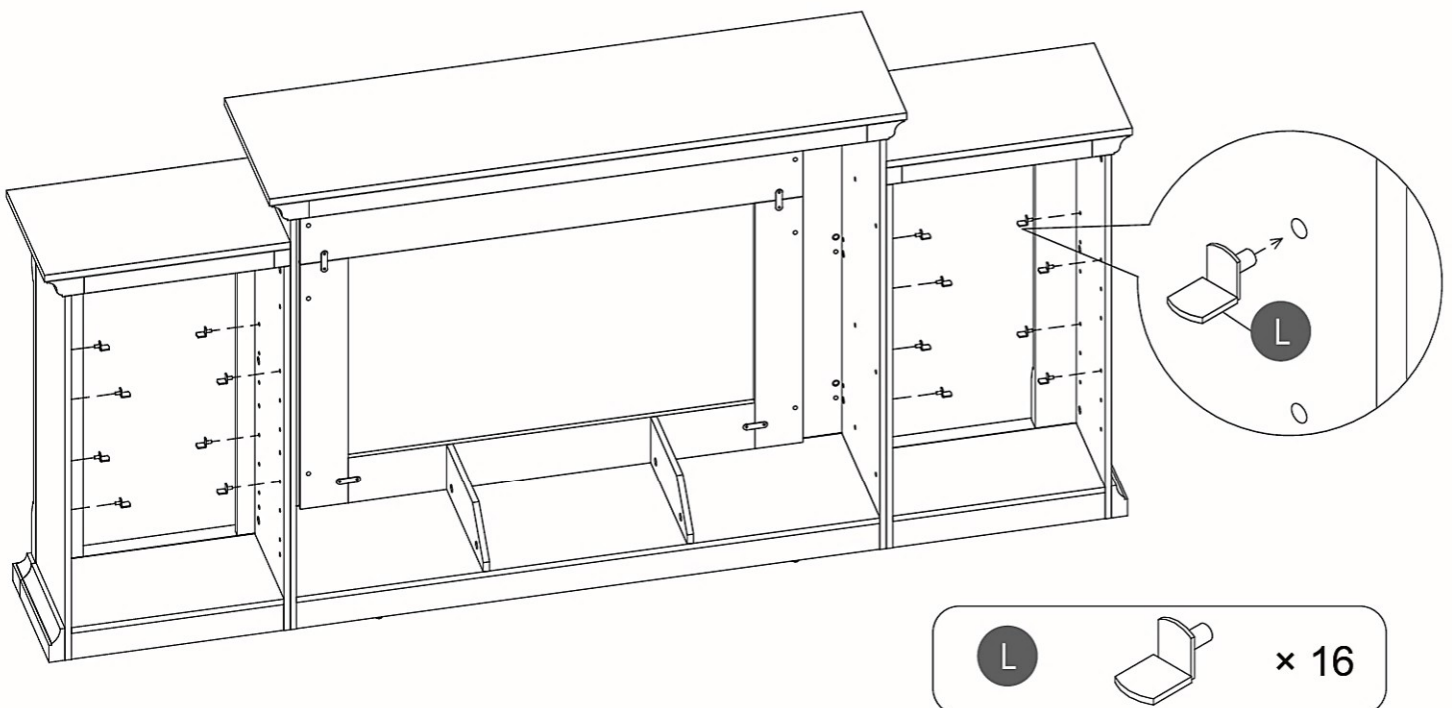
Step 36



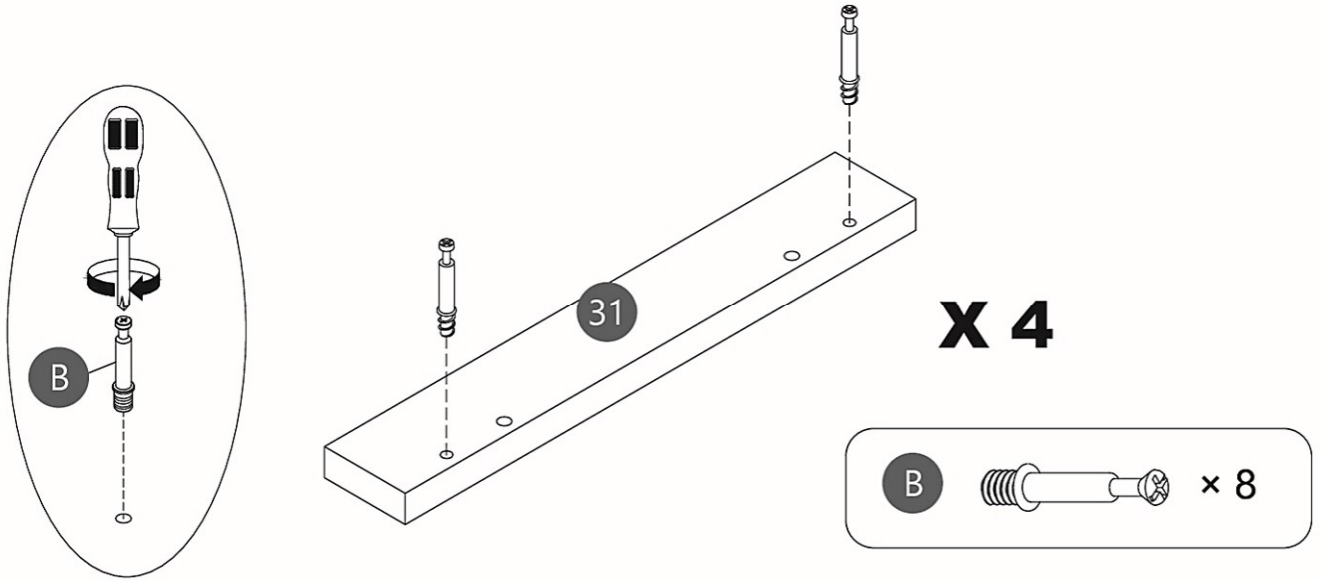
Step 37



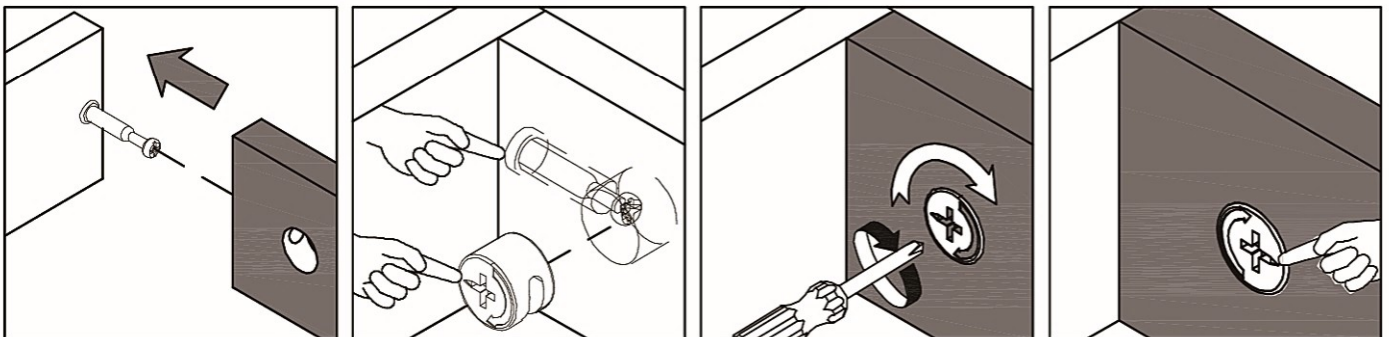
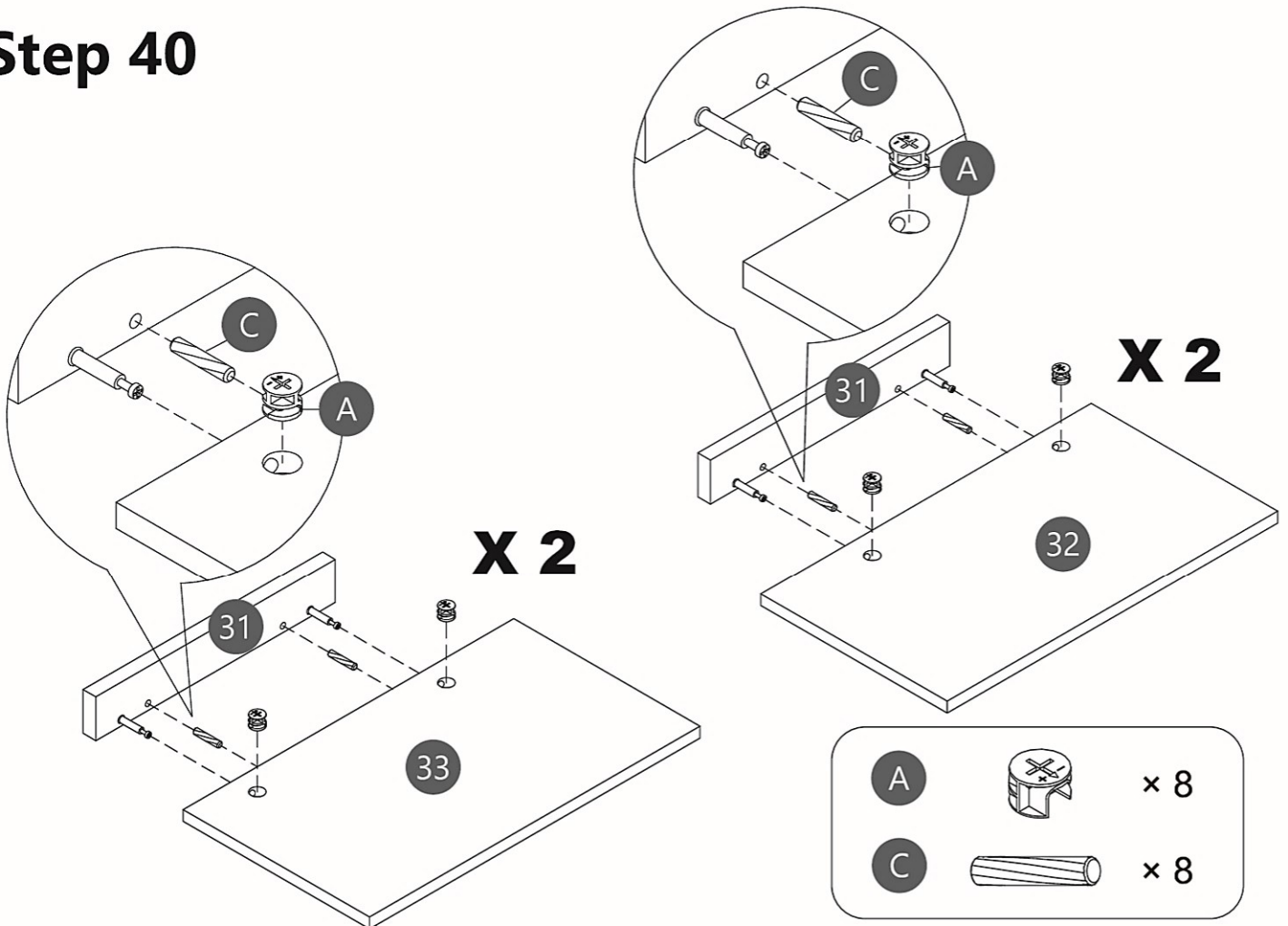
Step 38



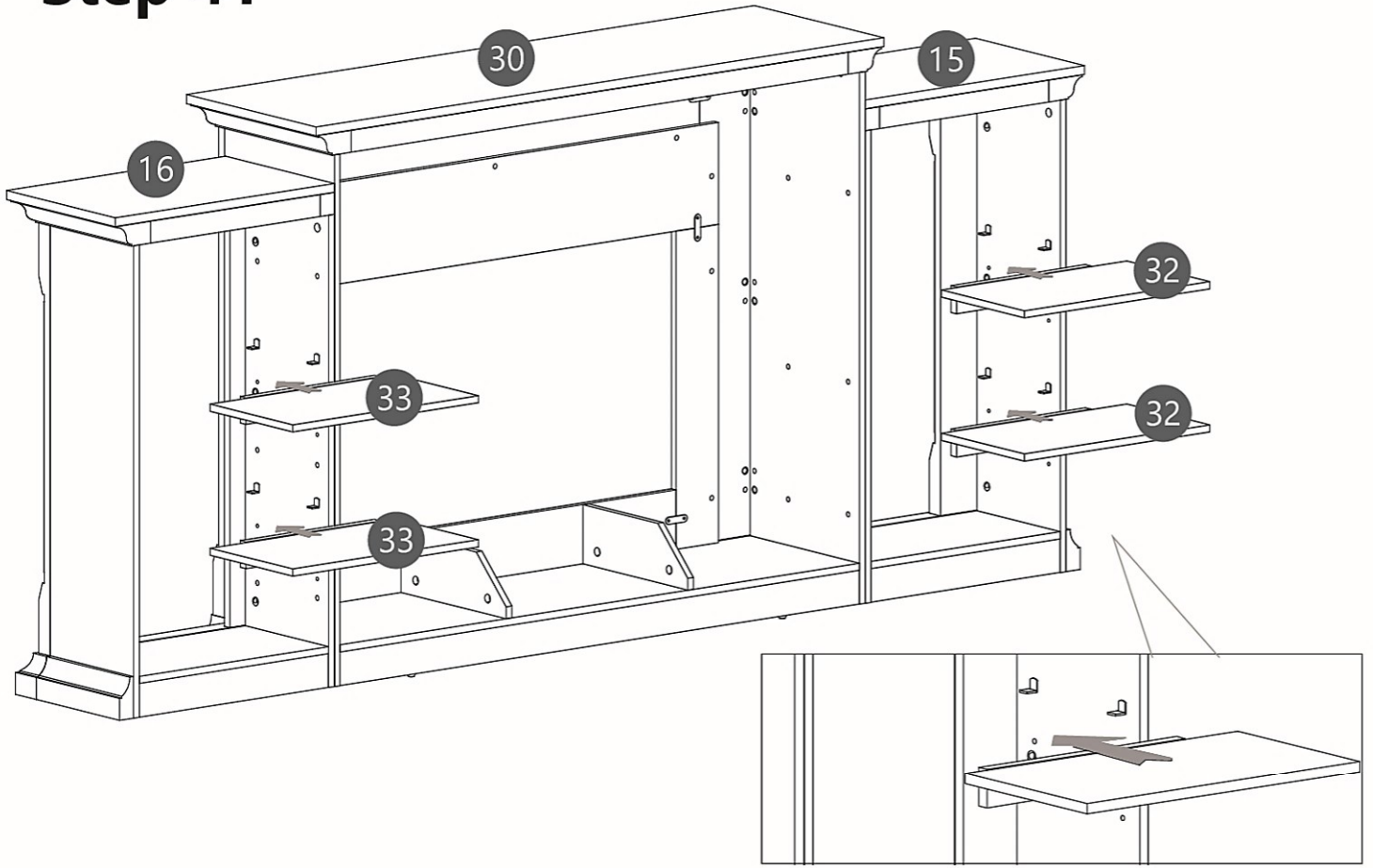
Step 39



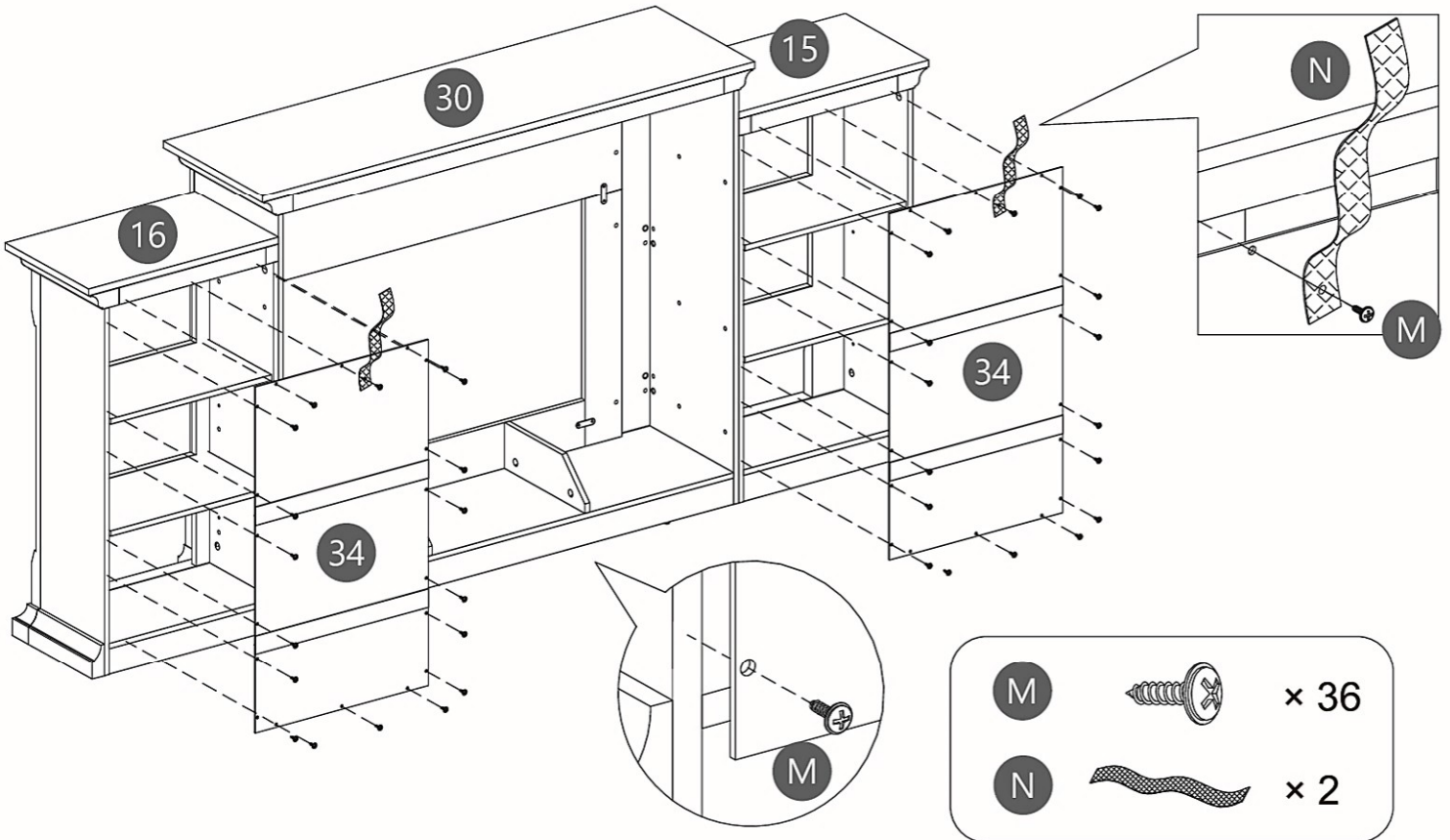
Step 40



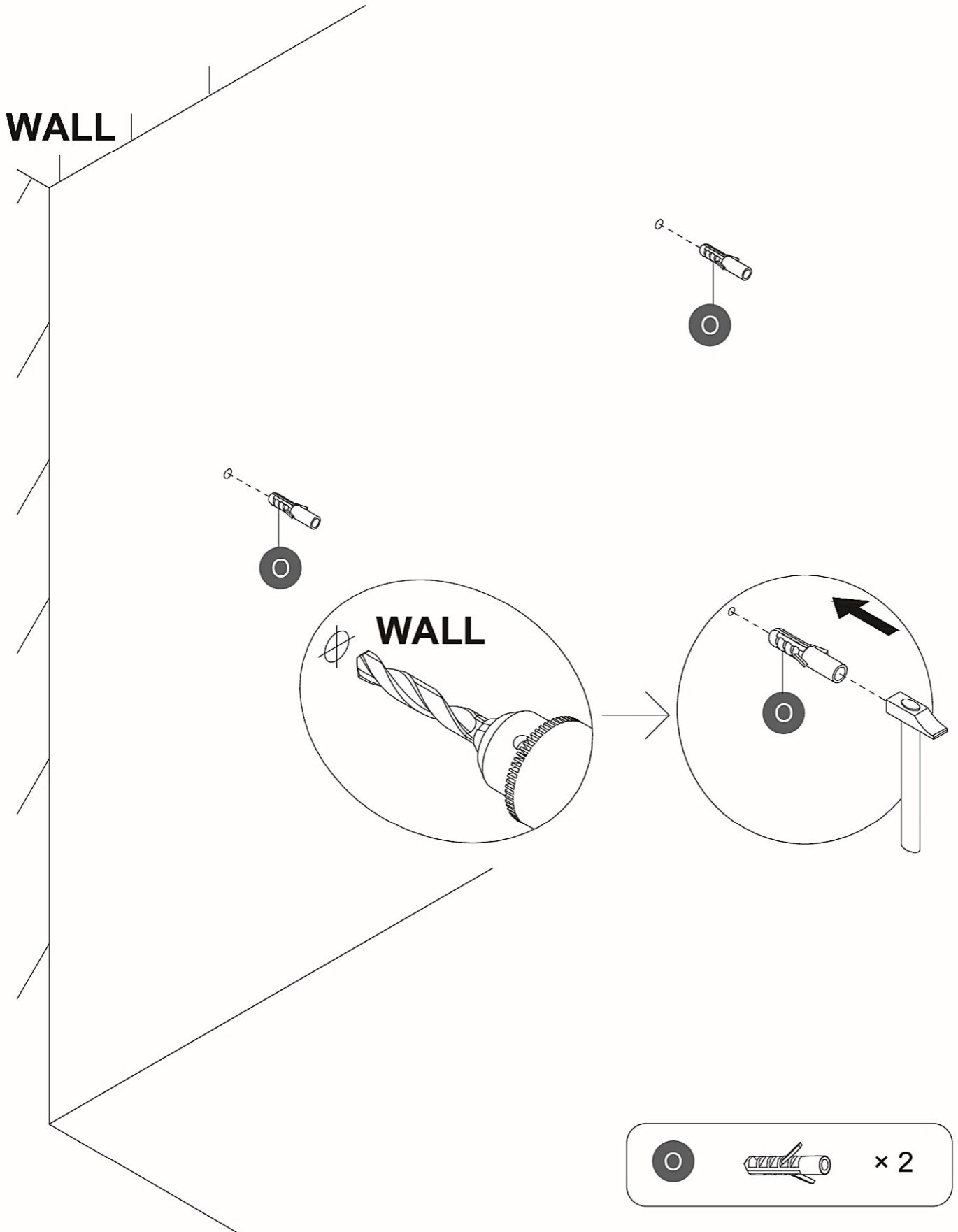
Step 41



Step 42



Step 43



Step 44

