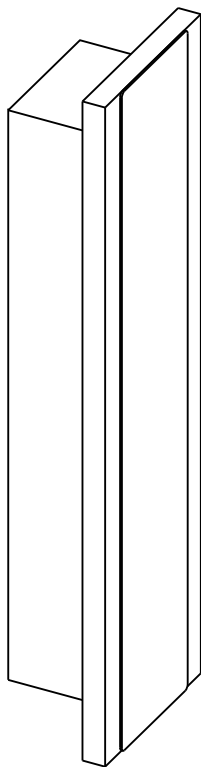
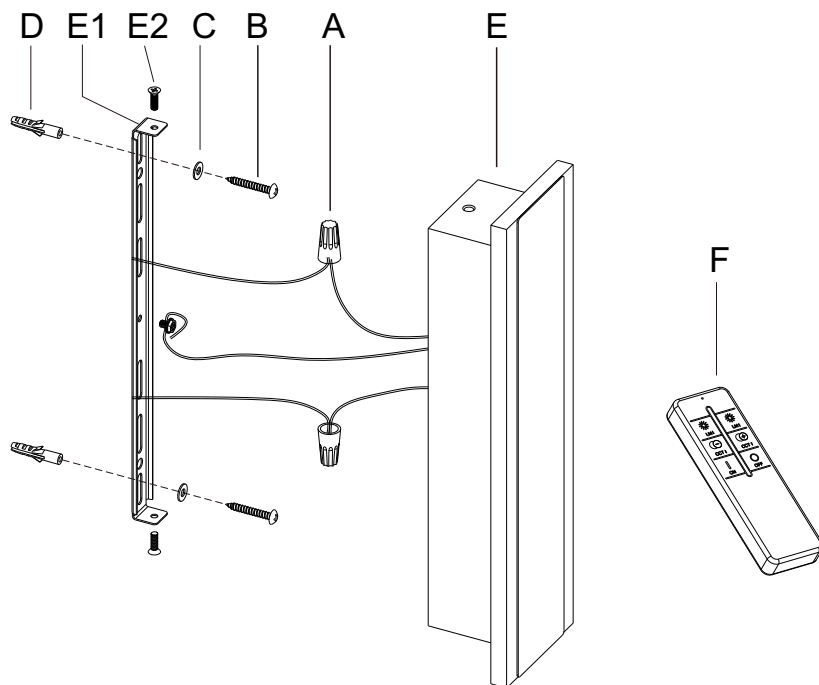







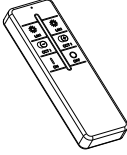
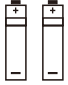


# INSTALLATION MANUAL



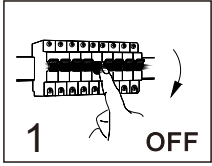
Open the box, and take out all the accessories  
you will get the following items.



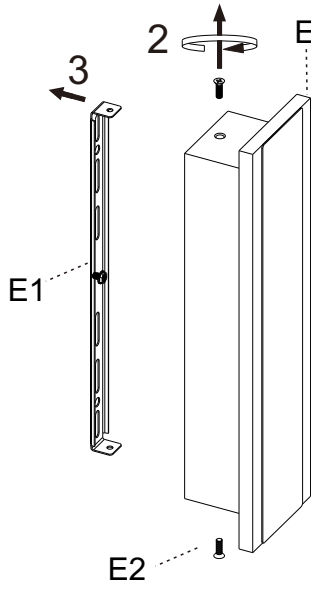
# accessories list

<p>A*3</p> 	<p>B*2</p> 	<p>C*2</p> 	<p>D*2</p> 	<p>E*1</p> 
<p>F*1</p>  <div data-bbox="493 560 680 703" style="border: 1px solid black; padding: 5px; display: inline-block;">               (NOT INCLUDED)         </div>				 <p>E1 *1</p>  <p>E2 *2</p>

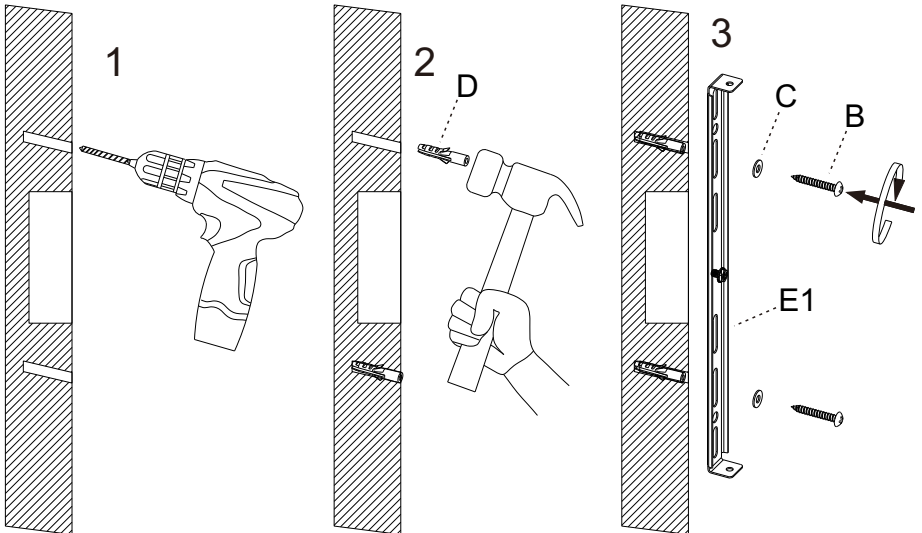
Serial number	Specification name	QT
A	Wiring cap	3
B	Screw	2
C	Gasket	2
D	Expansion rubber stopper	2
E	Wall lamp body	1
E1	Signboard	1
E2	Screw	2
F	remote control	1



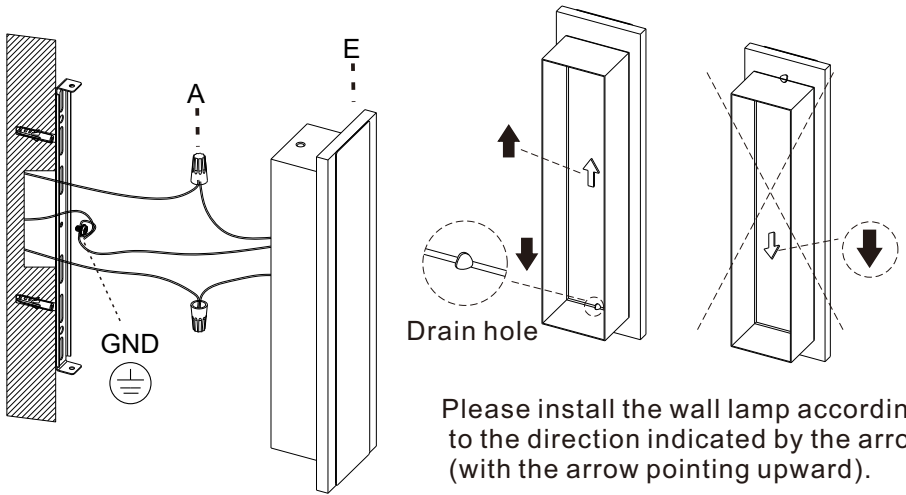
## Step 1



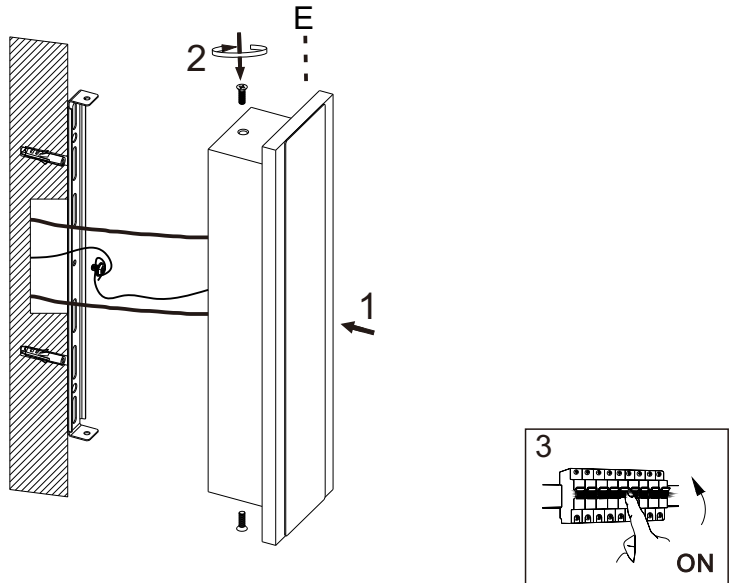
## Step 2

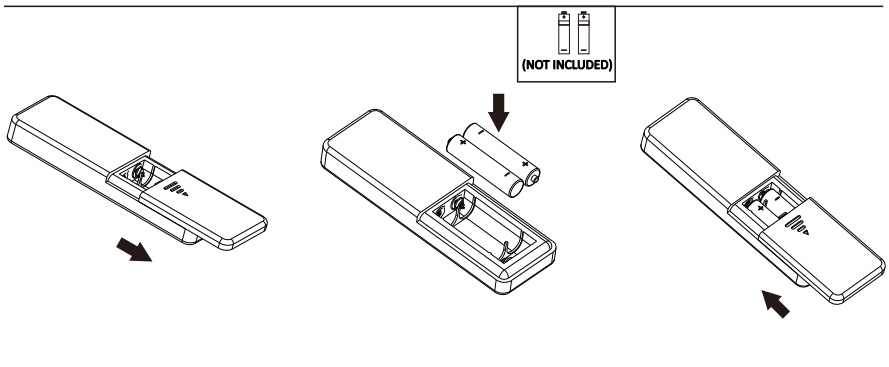
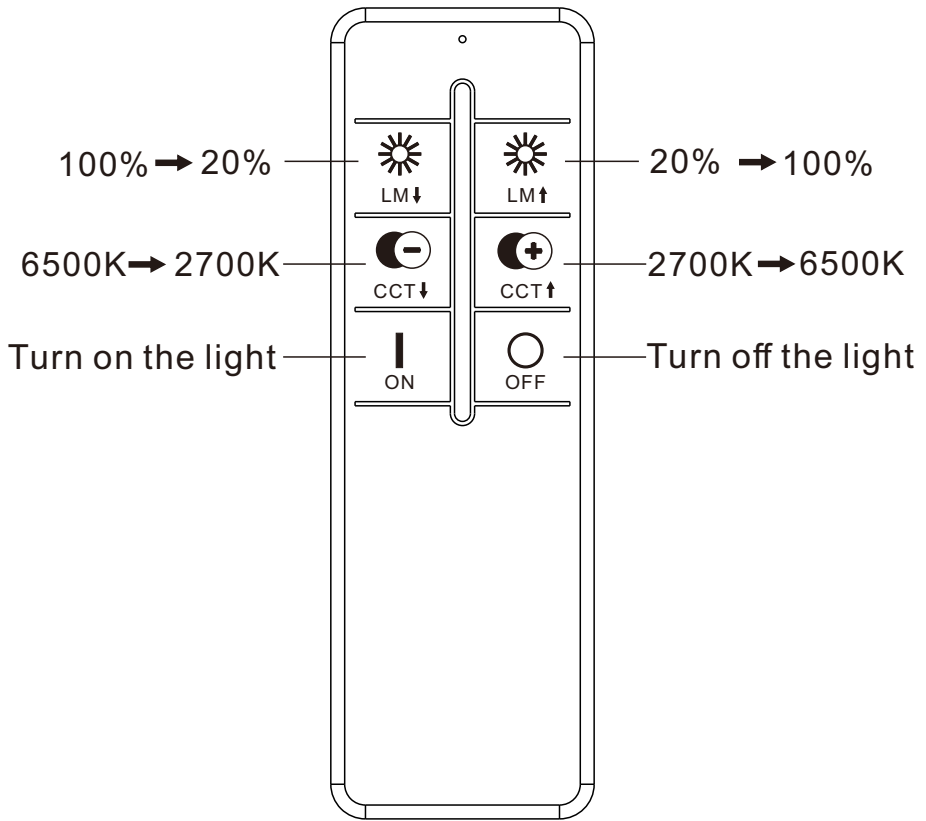


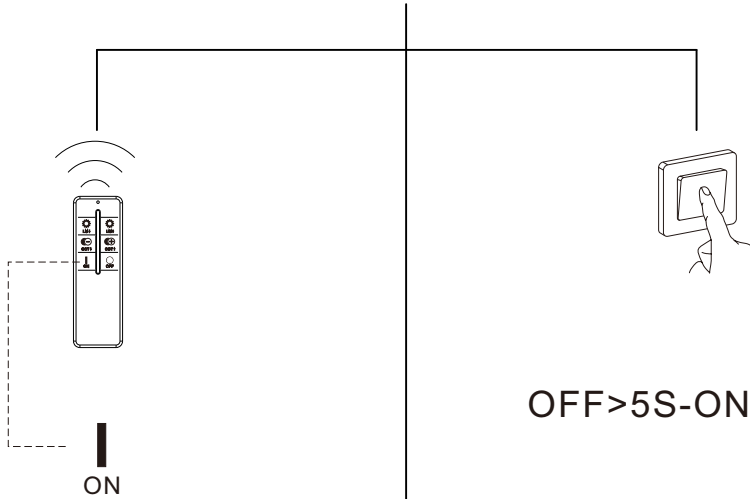
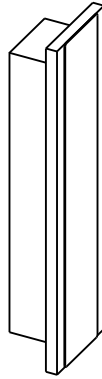
### Step 3



### Step 4







The first time using the remote control, after turning on the wall switch, press and hold the light button for 2 seconds until the light flashes, release the button, and the pairing is successful.

OFF>5S-ON

2700K

6500K ← 4000K

No matter what problems or questions you encounter during the installation or use of lighting fixtures, please feel free to contact us, we will reply to you within 24 hours and quickly solve or answer for you!

When you leave a message to us online, please leave your order ID and case details. The more detailed and accurate descriptions you provide, the faster and more accurate solutions we will offer!

---

---

## SAFETY INSTRUCTIONS

---

These instructions are provided for your safety. It is very important that you read the instructions completely before starting the installation of our fixture.

1. We recommend installation by a licensed electrician.
  2. This lamp type is not equipped with a No. 7 remote control battery.
  3. If any special control devices are used with this fixture, follow the instructions carefully to assure full compliance with N.E.C. requirements. If there are any problems, contact a qualified electrical contractor.
  4. Before installing or cleaning the light fixture, ensure the main power supply is turned off.
- 

## WARNINGS

---

This is not a toy and the product has no play value.  
Keep at least 3 feet away from cribs, bassinets and toddler beds.  
Keep out of reach of children under 3 years of age.

---



## PREPARATION

---

1. Please prepare two No. 7 batteries in advance and install them correctly according to the instructions in this manual.
2. Please keep the installation position clean and tidy so as not to miss the small accessories.