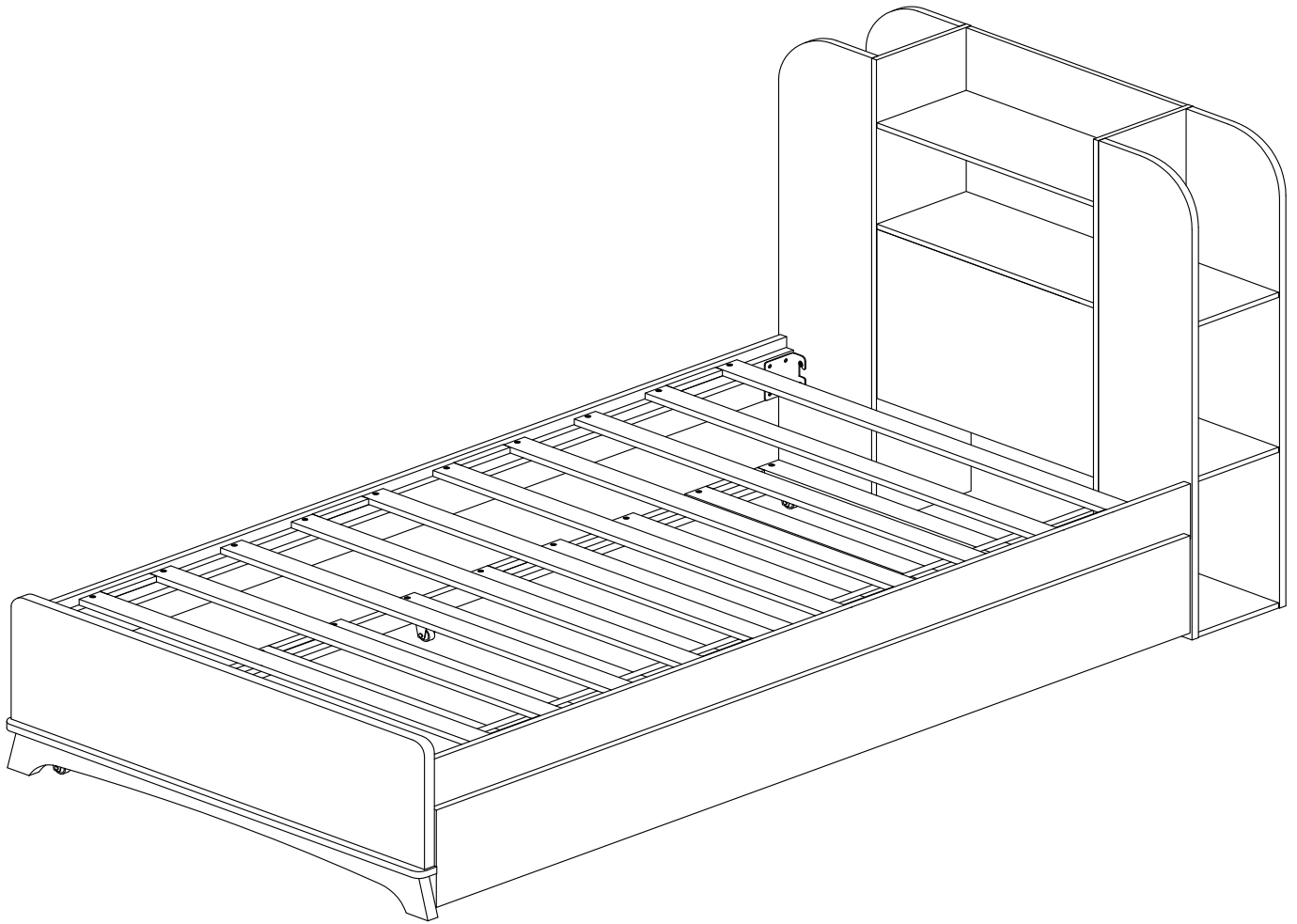


ASSEMBLY INSTRUCTION

BH 2009 (Twin : Trundle Bed)

SKU : WF312863 & 4



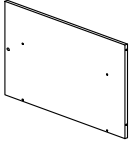
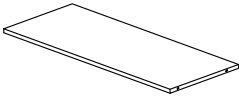
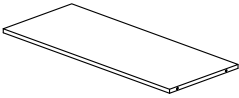
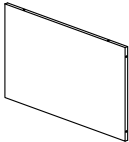




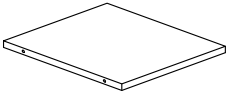


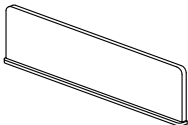
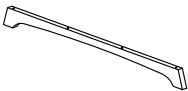
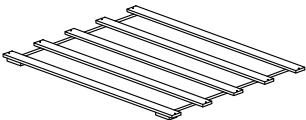
ASSEMBLY INSTRUCTION

BH 2009 (Twin : Trundle Bed)

SKU : WF312863 & 4

PART LIST

(BOX 1) WF312863

<p style="text-align: center;">A</p>  <p style="text-align: center;">Back Middle Panel 1 PCS</p>	<p style="text-align: center;">B</p>  <p style="text-align: center;">Middle Panel Up 1 PCS</p>	<p style="text-align: center;">C</p>  <p style="text-align: center;">Middle Panel Down 1 PCS</p>	<p style="text-align: center;">D</p>  <p style="text-align: center;">Front Panel 1 PCS</p>
<p style="text-align: center;">E</p>  <p style="text-align: center;">Side Panel Back L 1 PCS</p>	<p style="text-align: center;">F</p>  <p style="text-align: center;">Side Panel Back R 1 PCS</p>	<p style="text-align: center;">G</p>  <p style="text-align: center;">Side Panel Front L 1 PCS</p>	<p style="text-align: center;">H</p>  <p style="text-align: center;">Side Panel Front R 1 PCS</p>
<p style="text-align: center;">I</p>  <p style="text-align: center;">Box Middle Panel 6 PCS</p>	<p style="text-align: center;">J</p>  <p style="text-align: center;">Box Back Panel L 1 PCS</p>	<p style="text-align: center;">K</p>  <p style="text-align: center;">Box Back Panel R 1 PCS</p>	<p style="text-align: center;">L</p>  <p style="text-align: center;">Footboard 1 PCS</p>
<p style="text-align: center;">M</p>  <p style="text-align: center;">Footboard Leg 1 PCS</p>	<p style="text-align: center;">T</p>  <p style="text-align: center;">Bottom Bed LVL 2 PCS</p>		






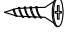
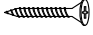
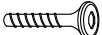
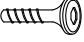
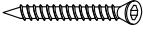

ASSEMBLY INSTRUCTION

BH 2009 (Twin : Trundle Bed)

SKU : WF312863 & 4

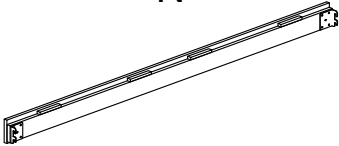
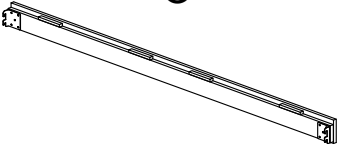
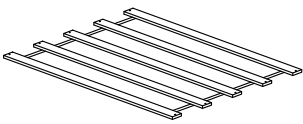
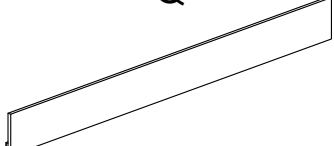
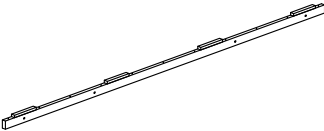
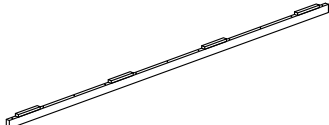
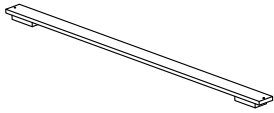
HARDWARE LIST

(BOX 1) WF312863

1  M6x30MM Wood Dowel 8 PCS	2  Camlock 12MM 46 PCS	3  Camlock Bolt 12MM 46 PCS	4  M4 Allen Key 1 PCS
5  M5 Allen Key 1 PCS	6  M3.5x12MM Screw 24 PCS	7  M4x38MM Screw 42 PCS	8  M6x25MM JCBC Screw 4 PCS
9  M8x16MM JCBB Screw 8 PCS	10  Csk M6x50MM 20 PCS	11  Casters 6 PCS	

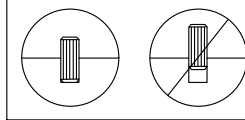
PART LIST

(BOX 2) WF312864

N  Bed Side Panel L 1 PCS	O  Bed Side Panel R 1 PCS	P  Bed Slats 2 PCS	Q  Bottom Bed Front Panel 1 PCS
R  Side Front LVL 1 PCS	S  Side Back LVL 1 PCS	U  Special LVL 1 PCS	

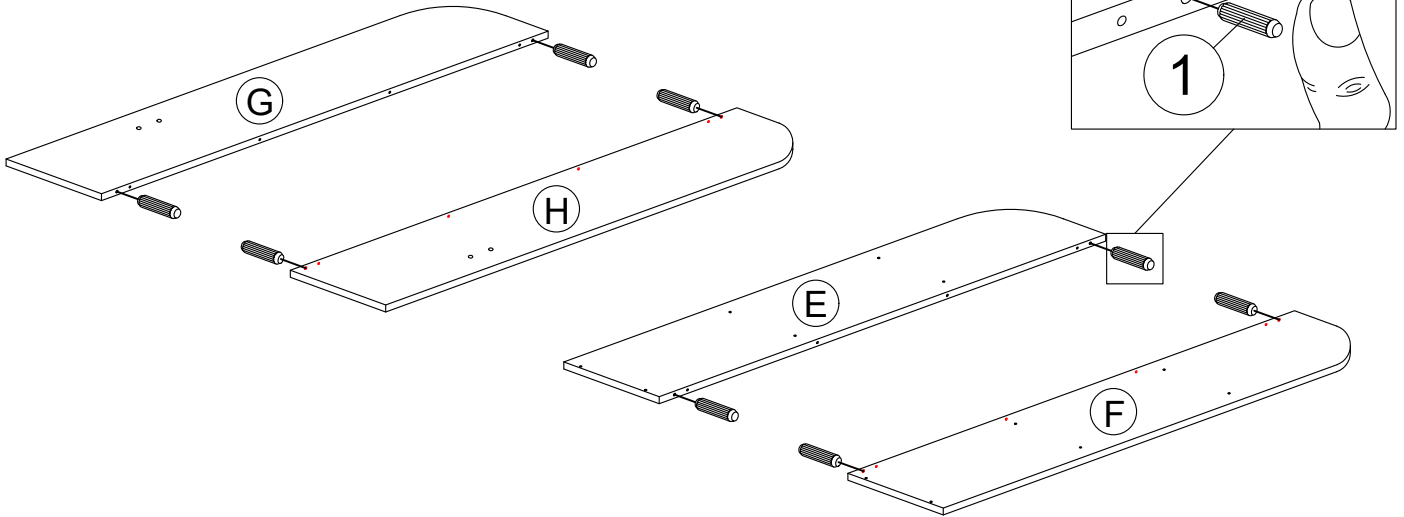
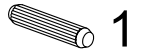
ASSEMBLY INSTRUCTION

Step 1



Required/Requis/Requerido

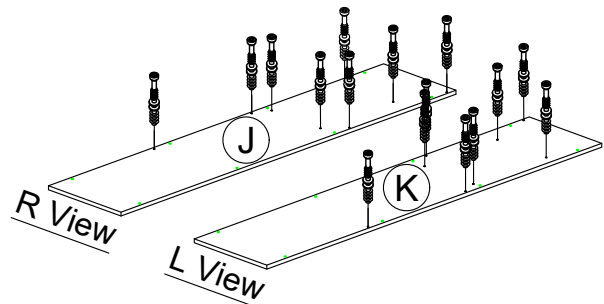
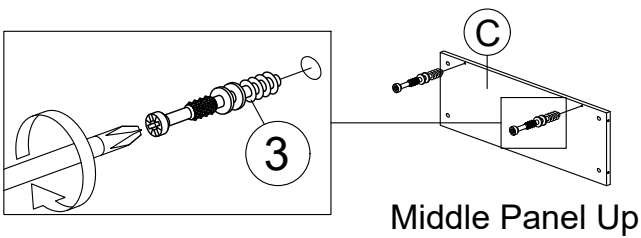
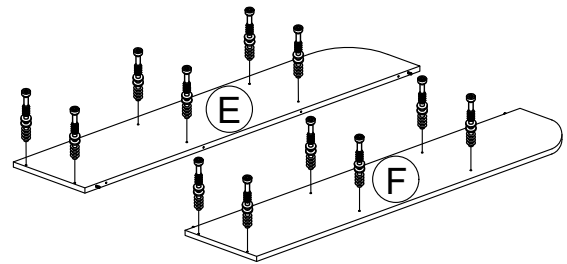
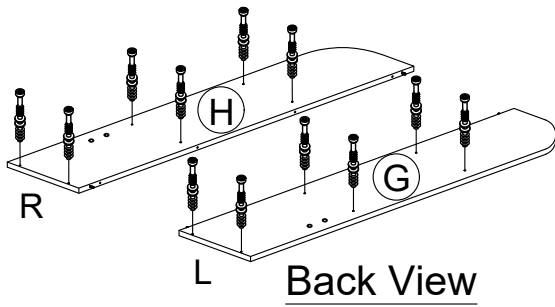
x8



Step 2

Required/Requis/Requerido

x42



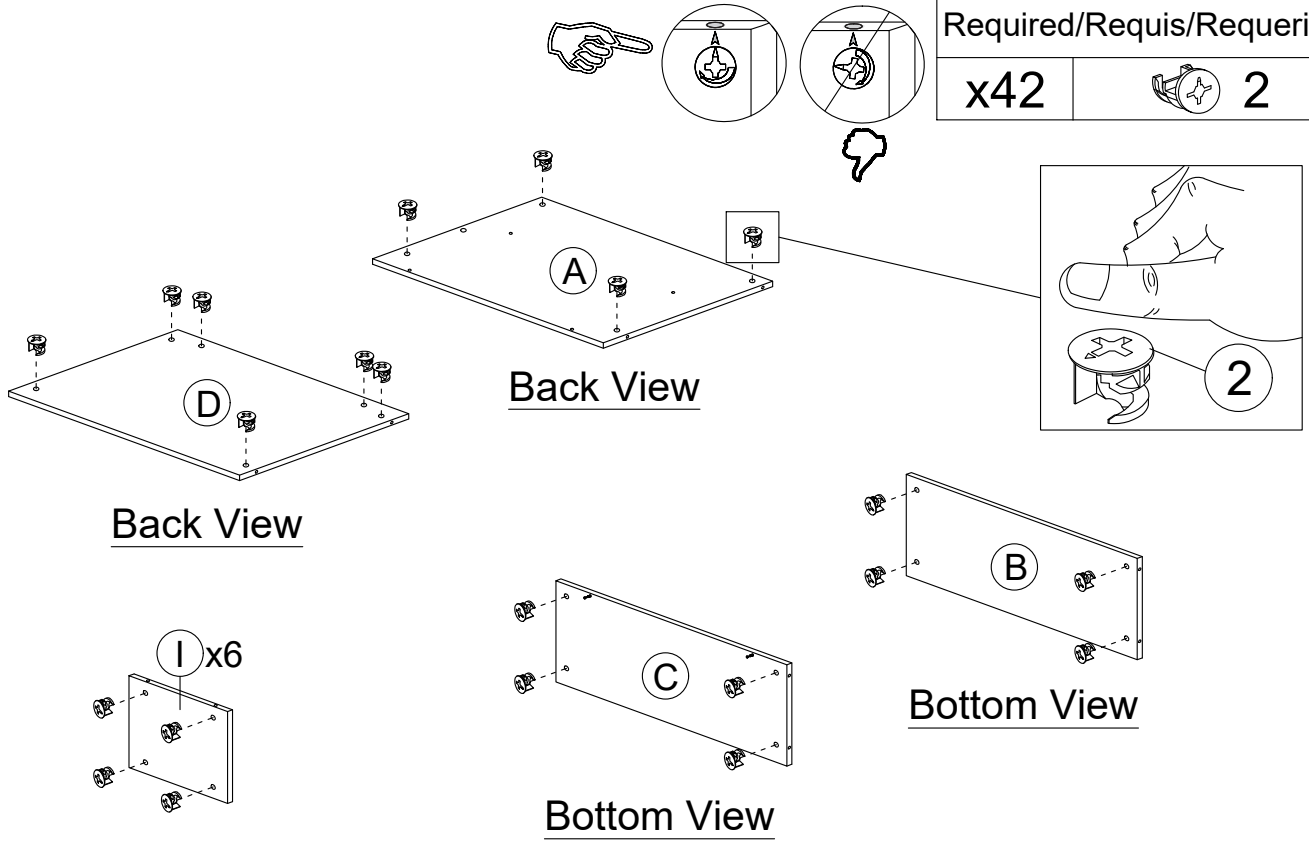
ASSEMBLY INSTRUCTION

Step 3

Required/Requis/Requerido

x42

 2



Step 4

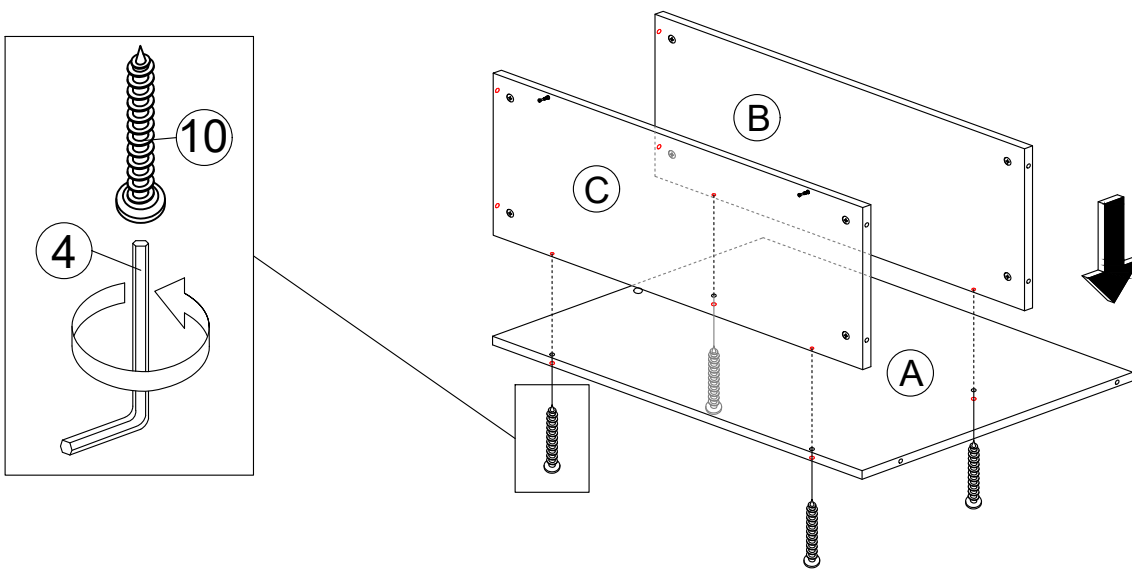
Required/Requis/Requerido

x1

 4

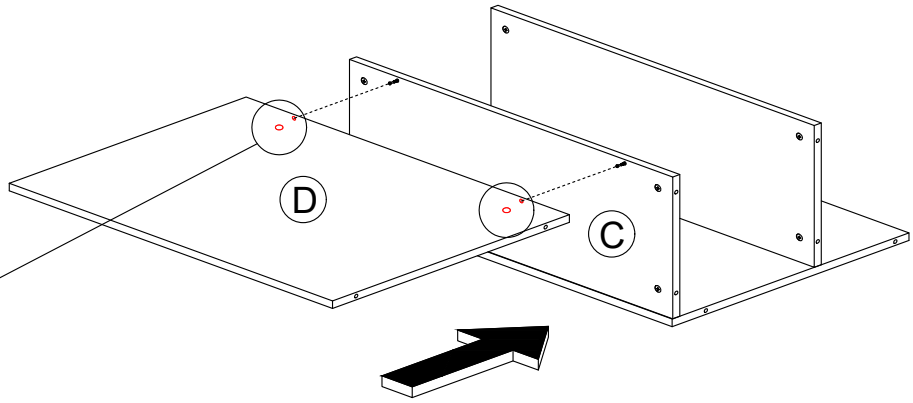
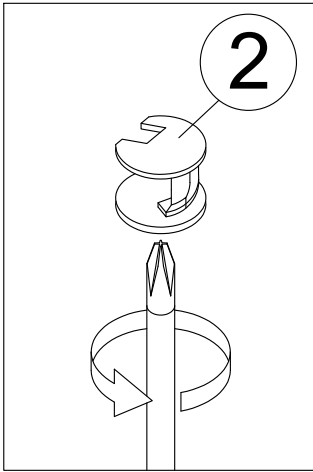
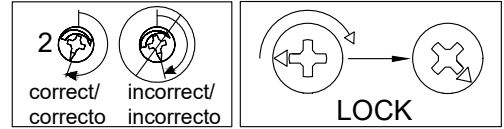
x4

 10

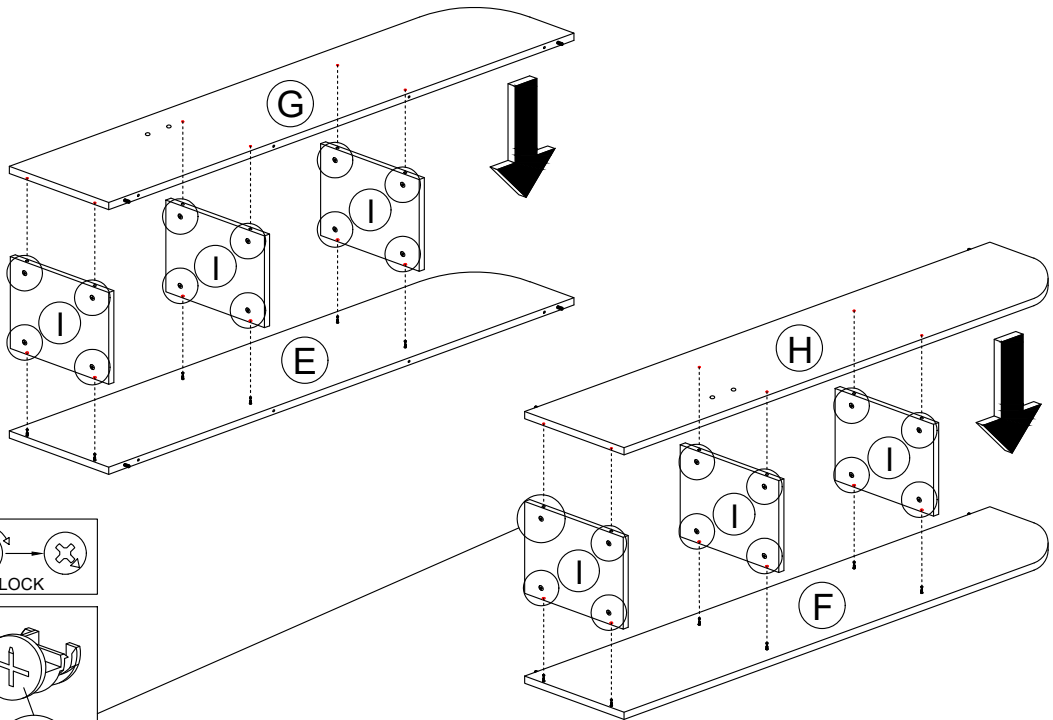
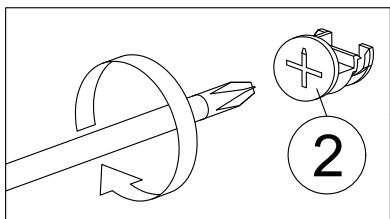
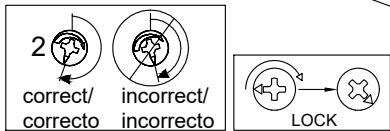


ASSEMBLY INSTRUCTION

Step 5





Step 6

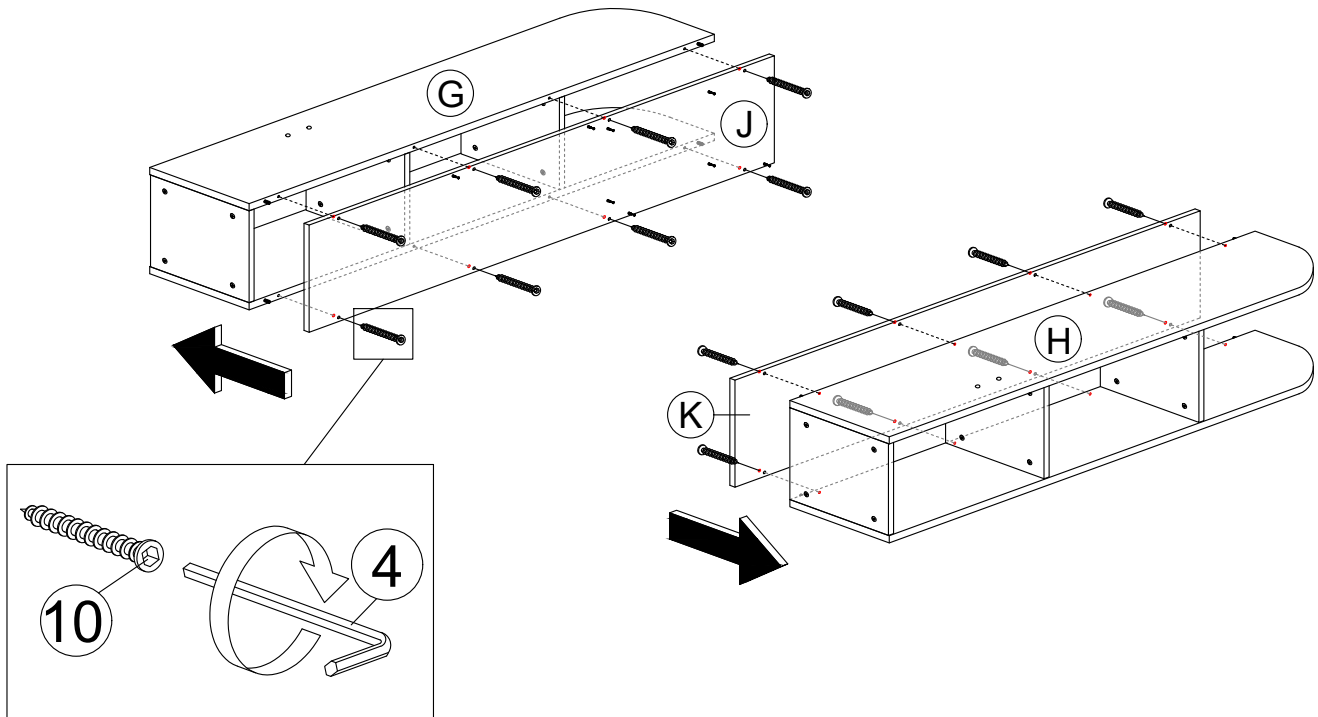


ASSEMBLY INSTRUCTION

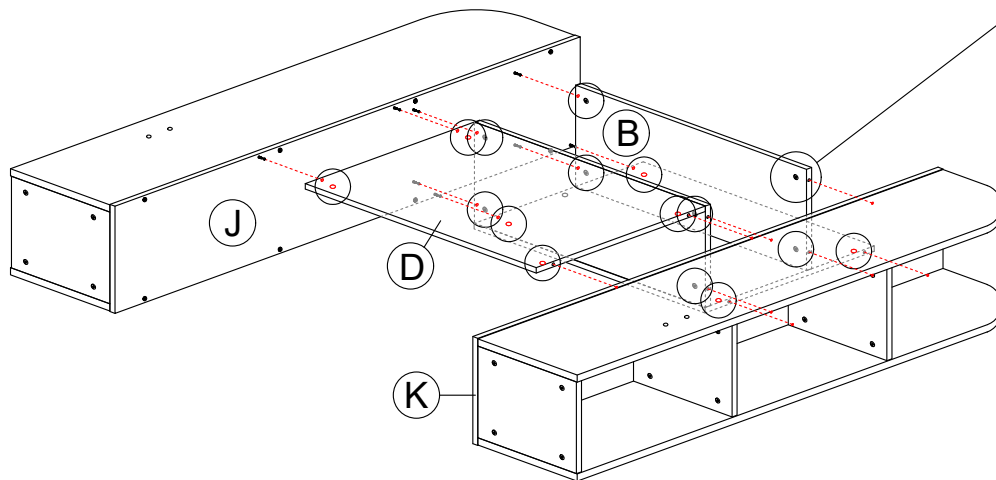
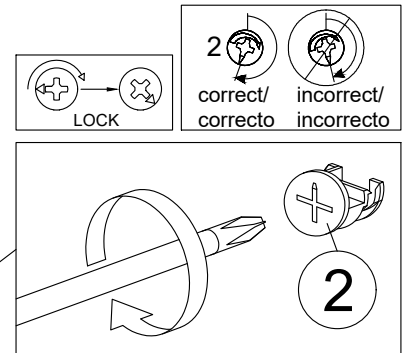
Step 7

Required/Requis/Requerido

x1		4
x16		10



Step 8

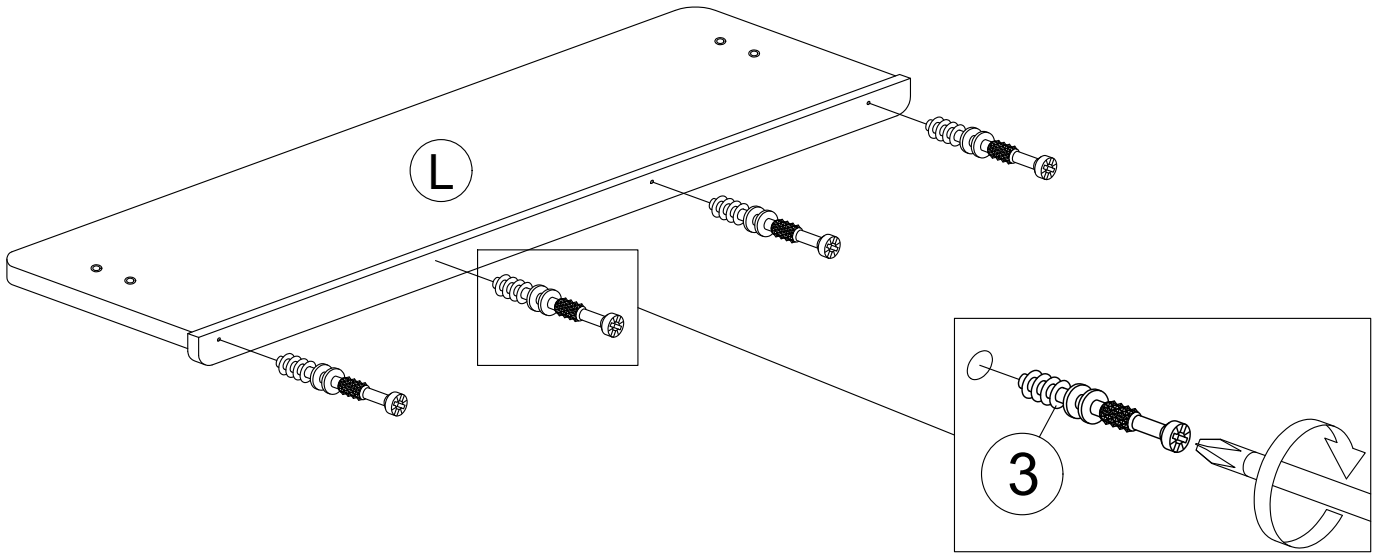


ASSEMBLY INSTRUCTION

Step 9

Required/Requis/Requerido

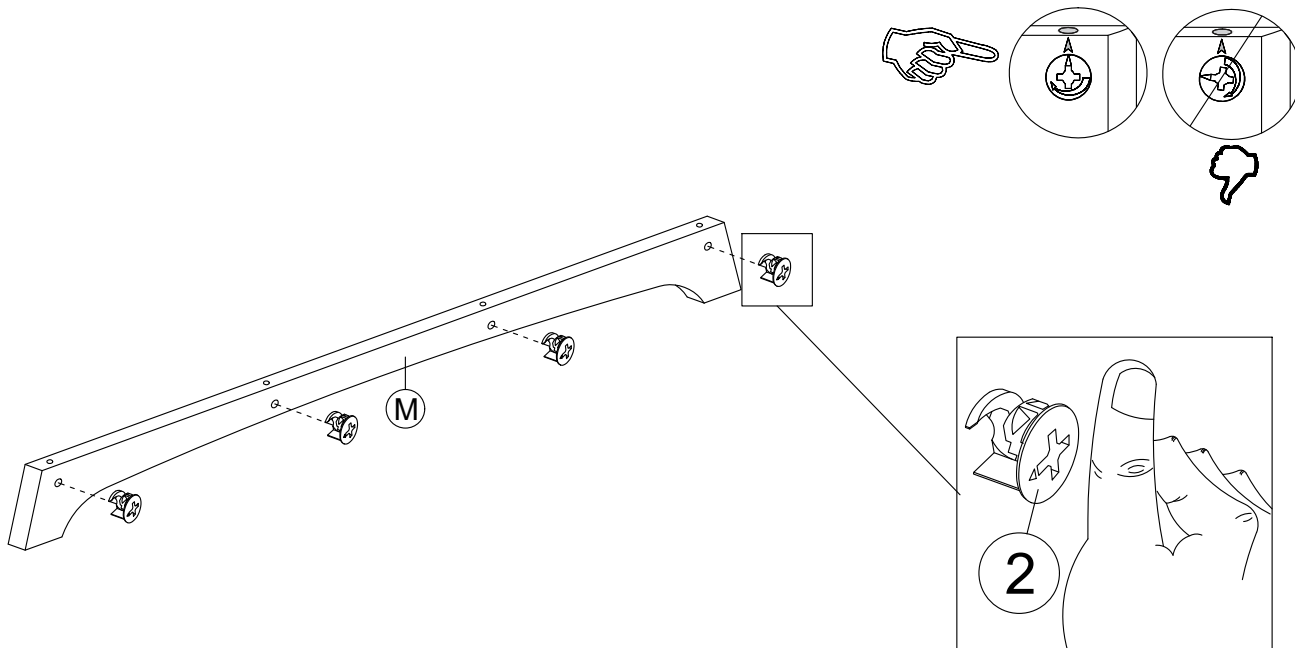
x4



Step 10

Required/Requis/Requerido

x4



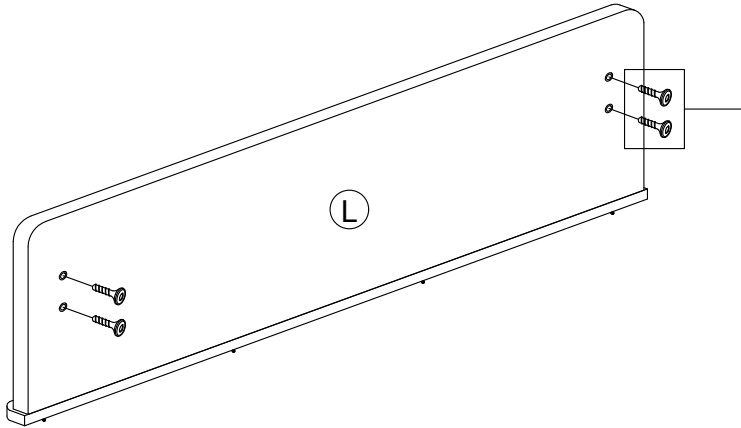
ASSEMBLY INSTRUCTION

Step 11

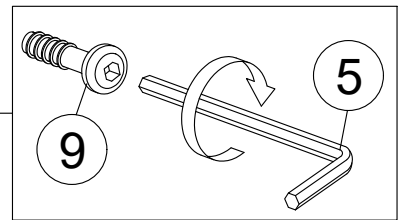
Required/Requis/Requerido

x1  5

x4  9

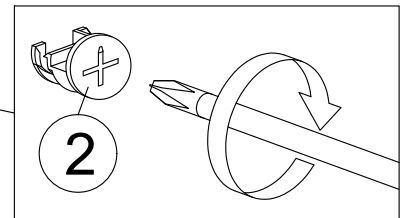
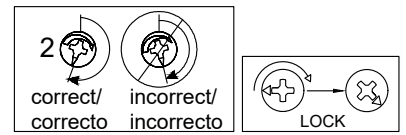
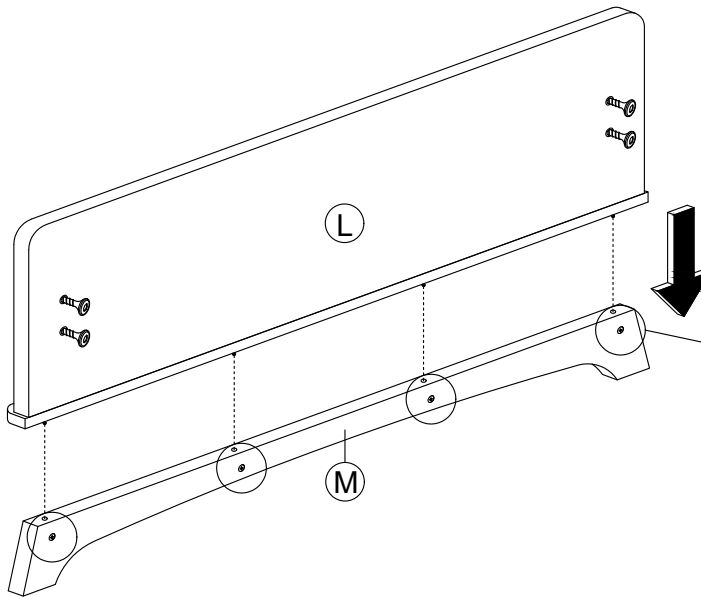


Don't Tighten until end,
please left 2-5mm
distance for next step
assembly part



Rear View

Step 12



Rear View

ASSEMBLY INSTRUCTION

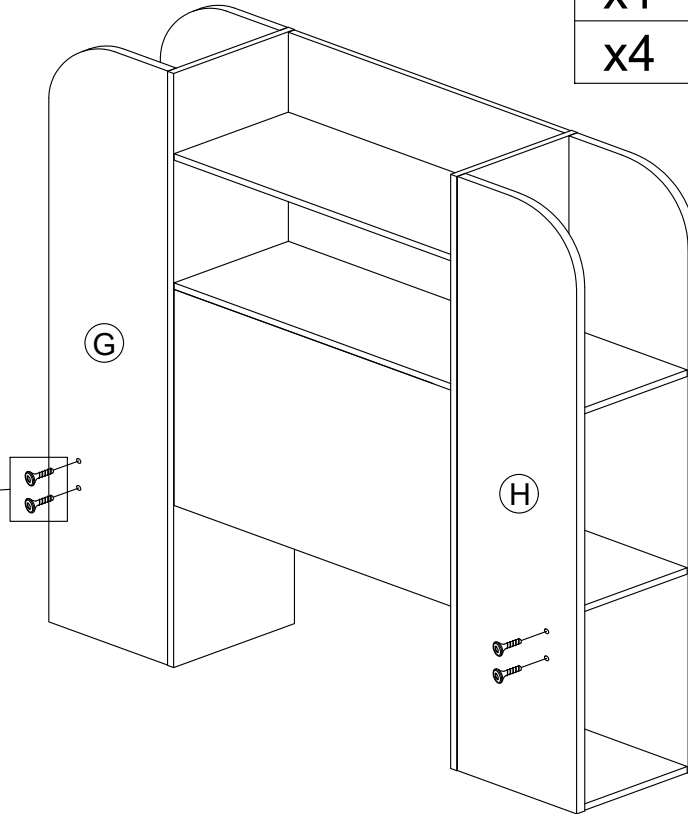
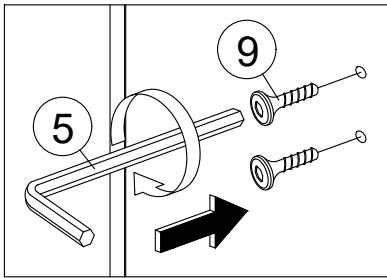
Step 13

Required/Requis/Requerido

x1  5

x4  9

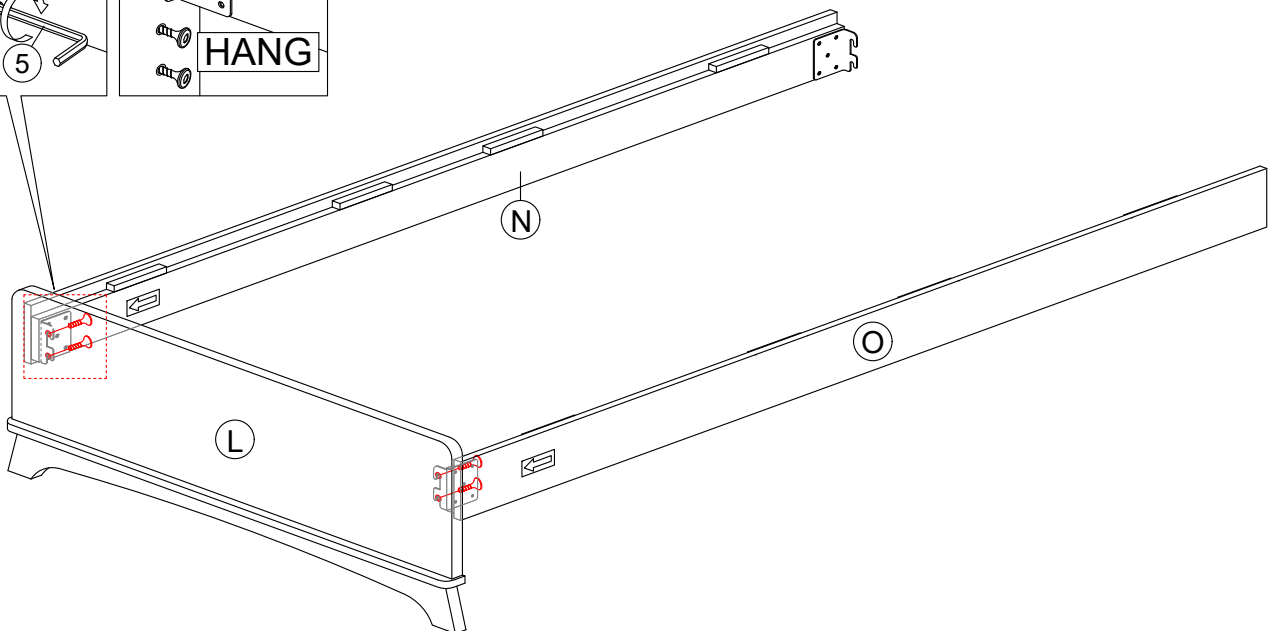
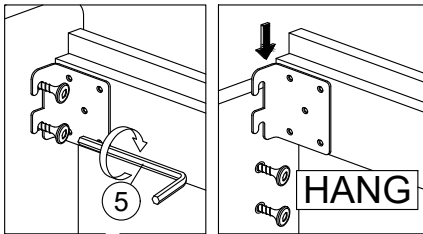
Don't Tighten until end,
please left 2-5mm
distance for next step
assembly part



Step 14

Required/Requis/Requerido

x1  5

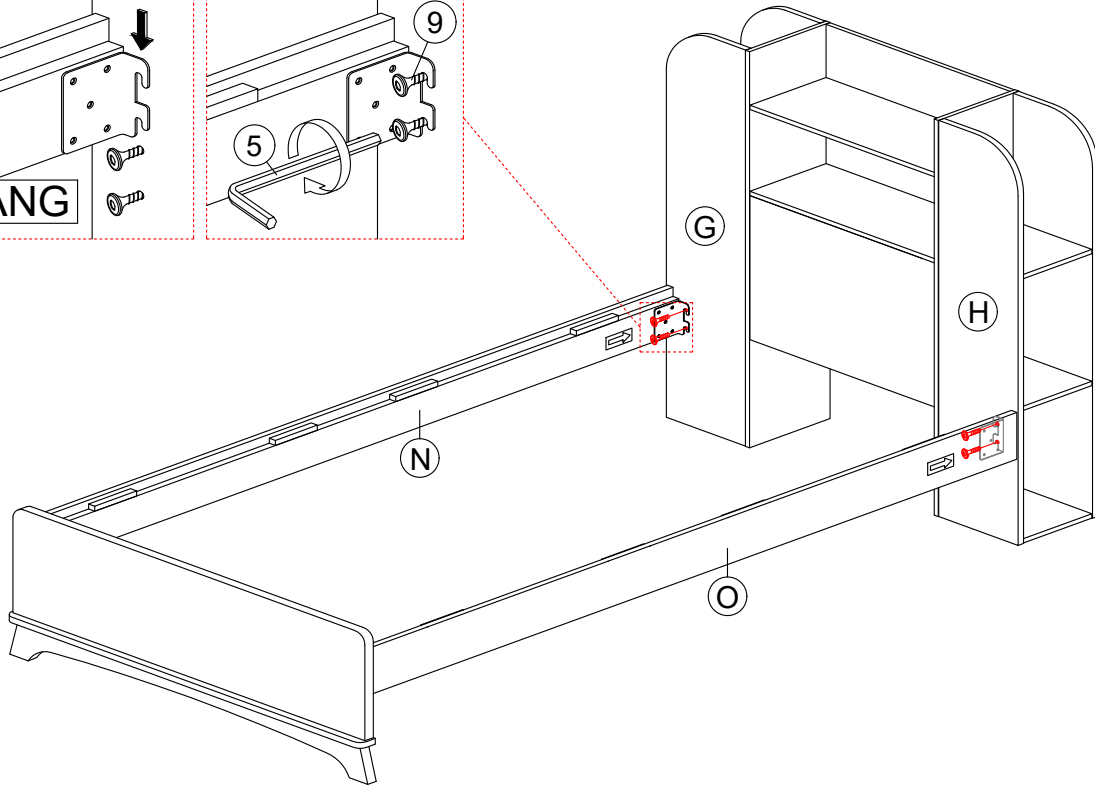
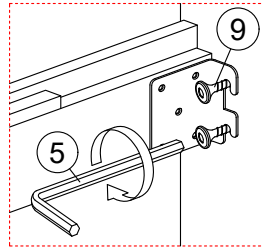
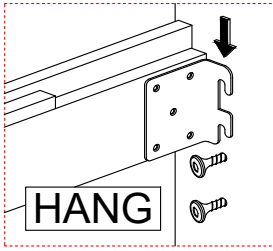


ASSEMBLY INSTRUCTION

Step 15

Required/Requis/Requerido

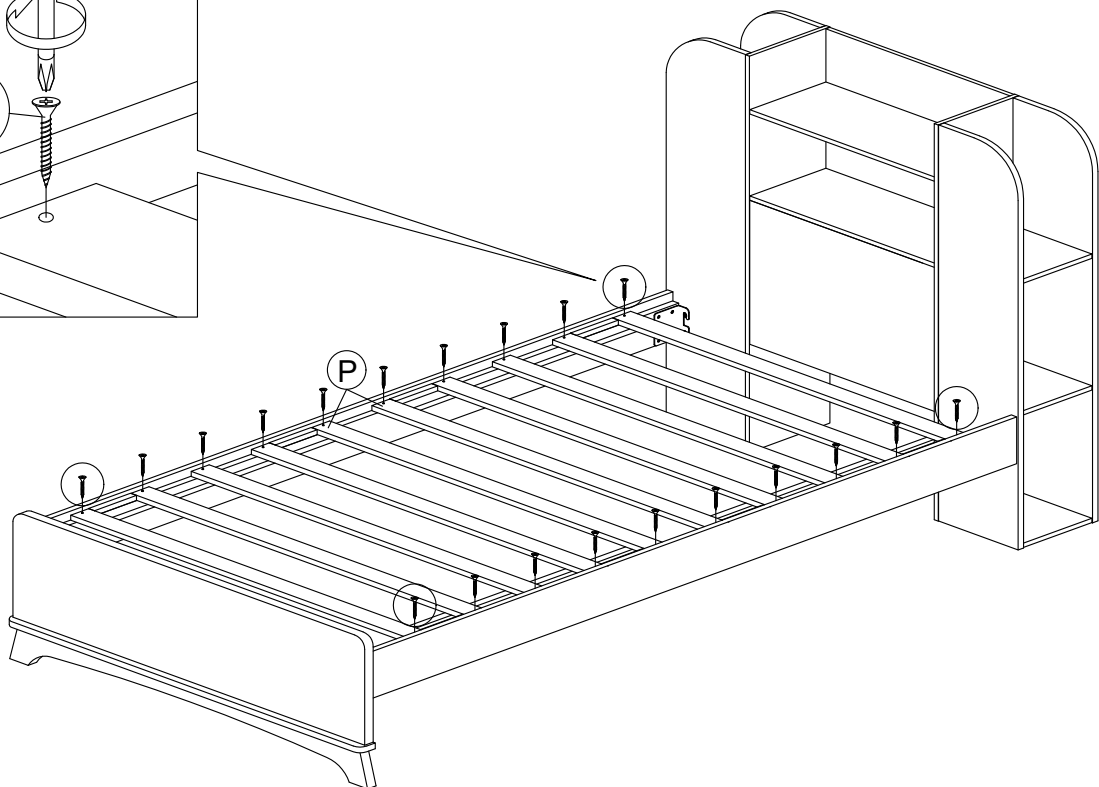
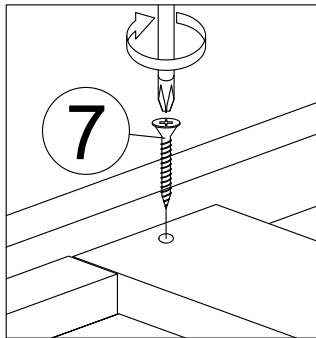
x1



Step 16

Required/Requis/Requerido

x20



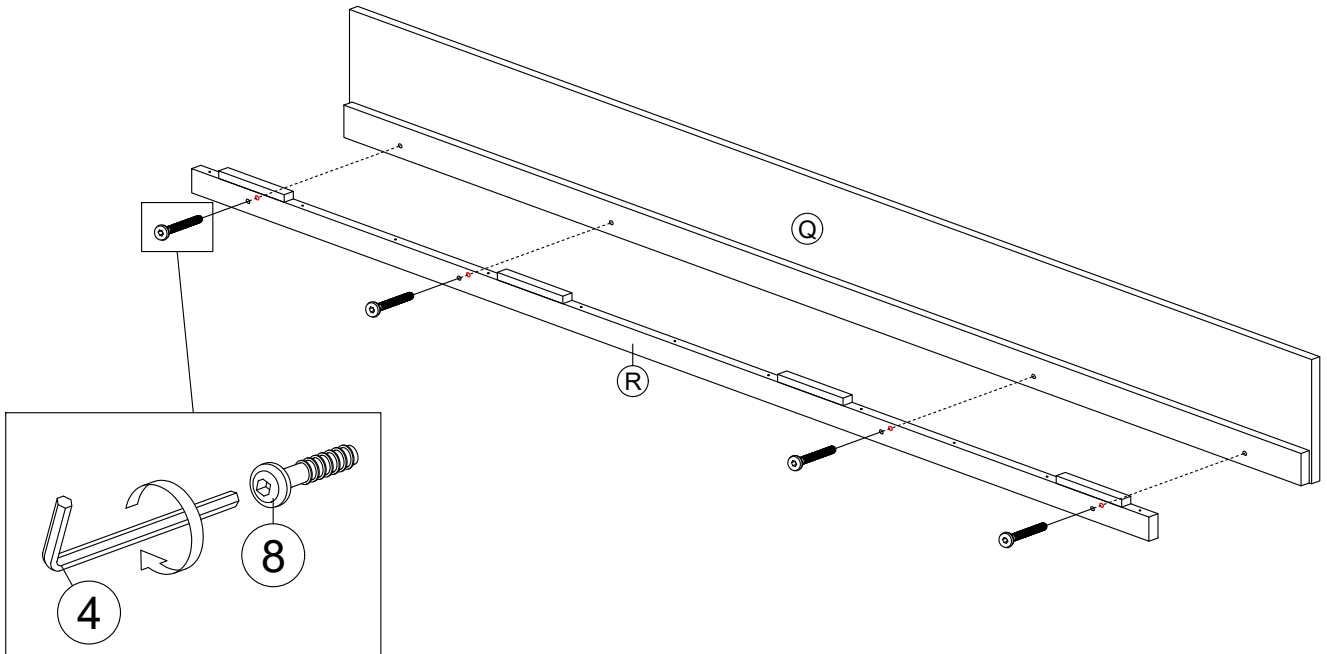
ASSEMBLY INSTRUCTION

Step 17

Required/Requis/Requerido


x1  4

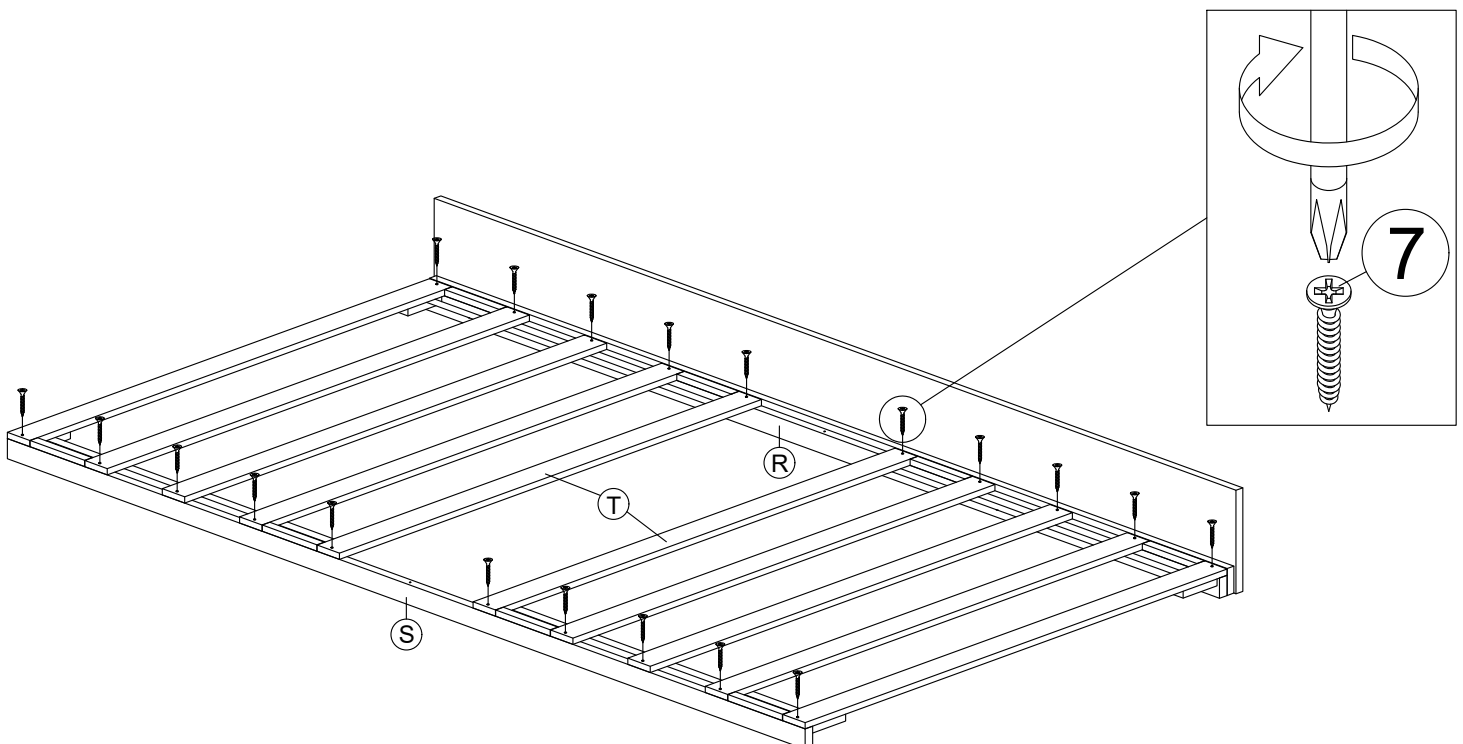
x4  8



Step 18

Required/Requis/Requerido

x20  7

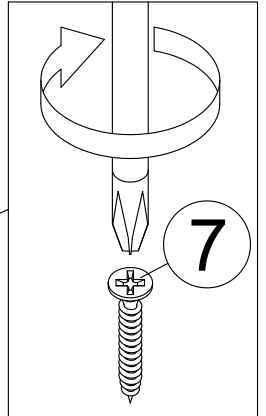
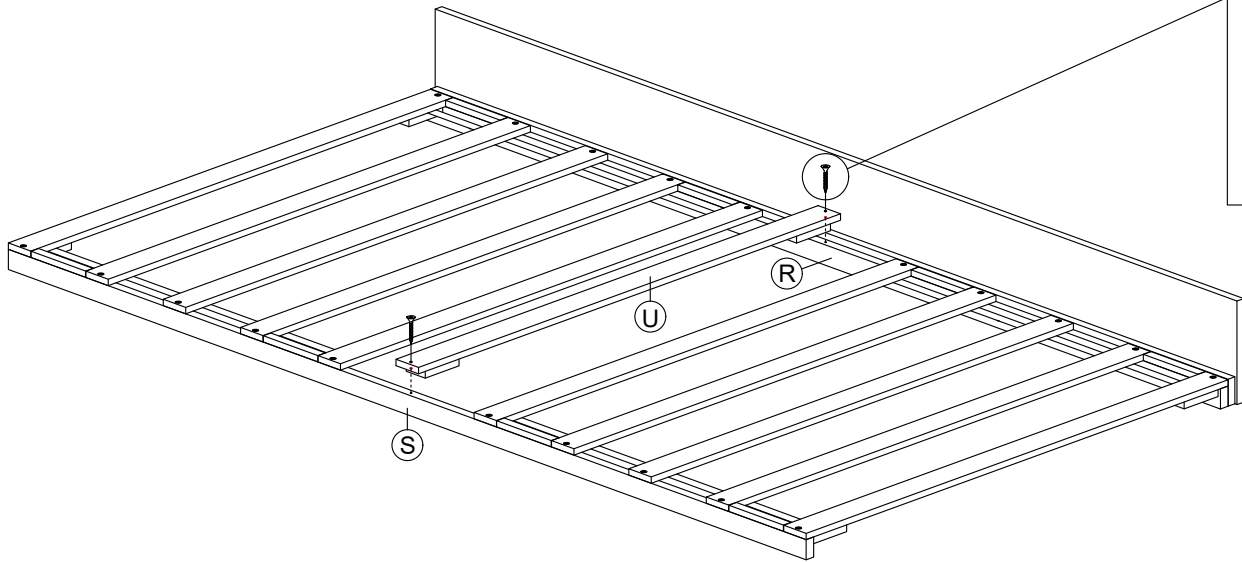


ASSEMBLY INSTRUCTION

Step 19

Required/Requis/Requerido

x2



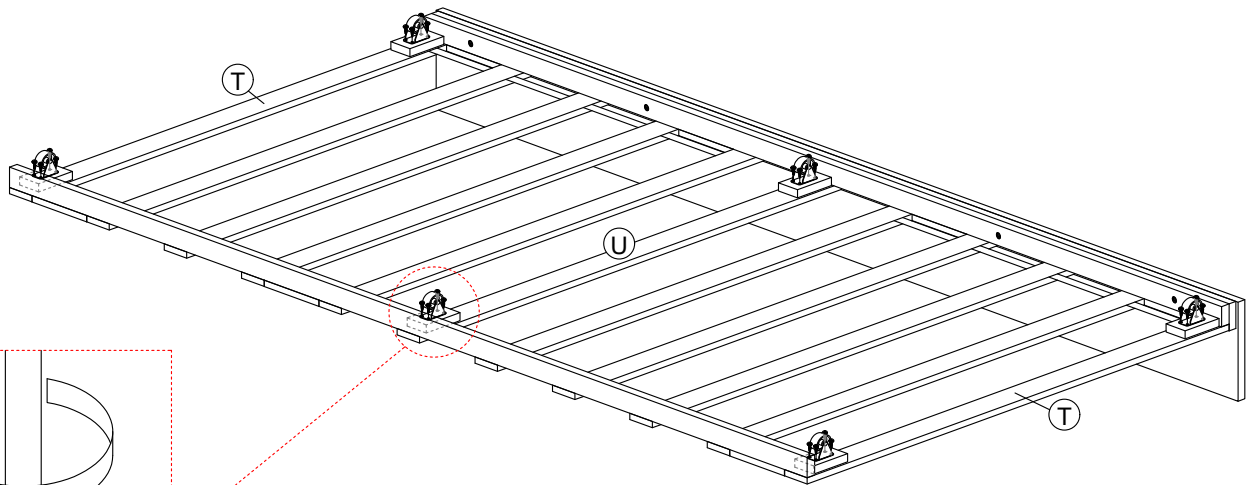
Step 20

Required/Requis/Requerido

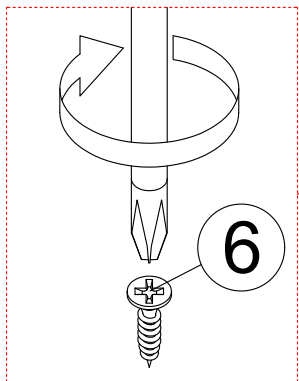
x24



x6

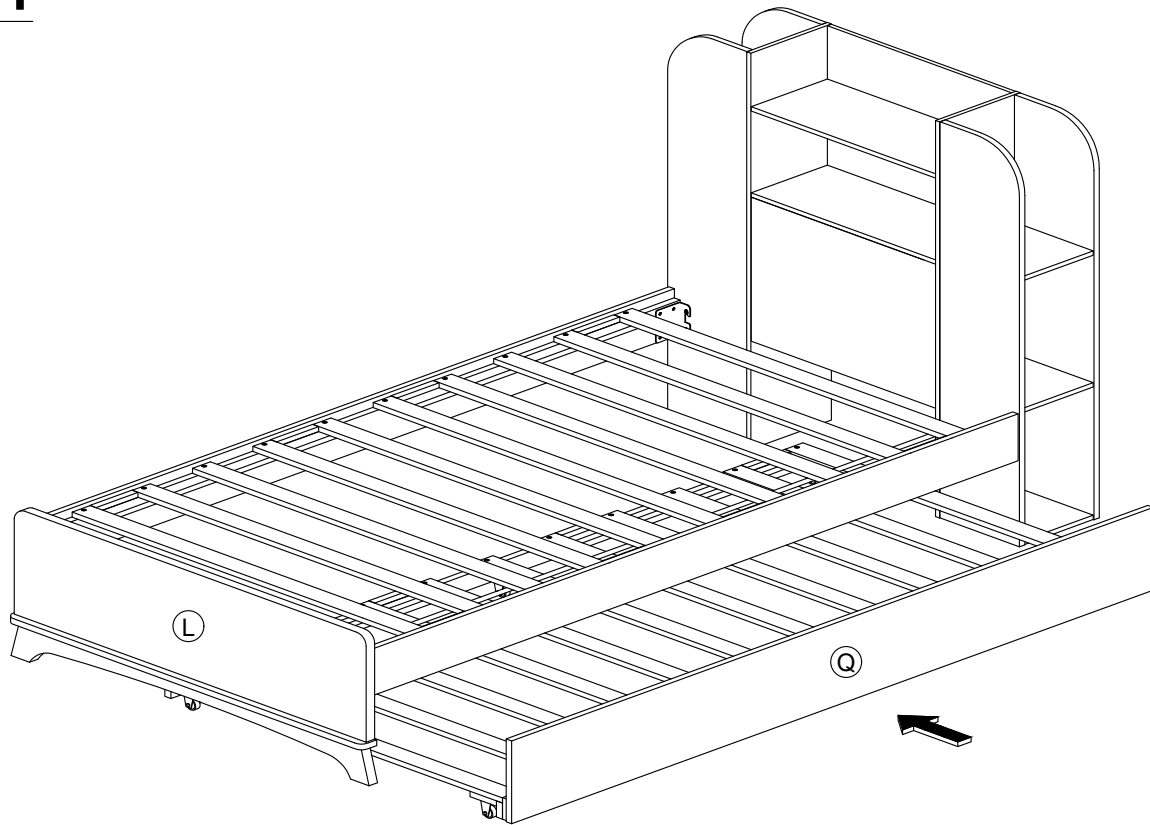


Bottom View



ASSEMBLY INSTRUCTION

Step 21



Complete

