



Factory-direct TV Lift Cabinets

## Installing the Swivel Lift in your Furniture

Thank you for choosing TVLiftCabinet.com. This lift is designed to support TV's with a maximum weight of 130 lbs.

**MISSING PARTS or HAVE QUESTIONS?**

**CALL 561-417-0999**

**DO NOT RETURN TO STORE.**

**Our customer service will address any missing parts, damage, and questions so you do not have to return your TV lift.**

**⚠ WARNING**

**This product contains small items that could be a choking hazard if swallowed. Keep these items away from young children!**

**⚠ CAUTION**

**Do not use this product for any purpose not explicitly specified by TVLiftCabinet. Improper assembly may cause property damage or personal injury. If you do not understand with these directions, or have doubts about the safety of the assembly, contact Customer Service or call a qualified contractor. TVLiftCabinet is not responsible for damage or injury caused by incorrect assembly or use.**

**[www.TVLiftCabinet.com](http://www.TVLiftCabinet.com)**

**40 SE 7th St., Boca Raton, FL 33432**

**Customer Service: 561-417-0999**



# Installation Instructions

- 1) Install the manual control box hanging bracket. 2" down from the edge of the back wall and 2" from the cabinets left side.

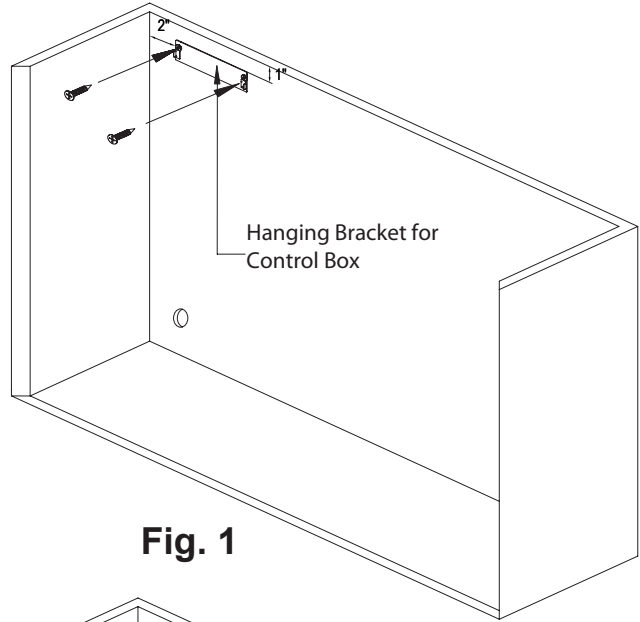


Fig. 1

- 2) Install the lift hanging brackets.

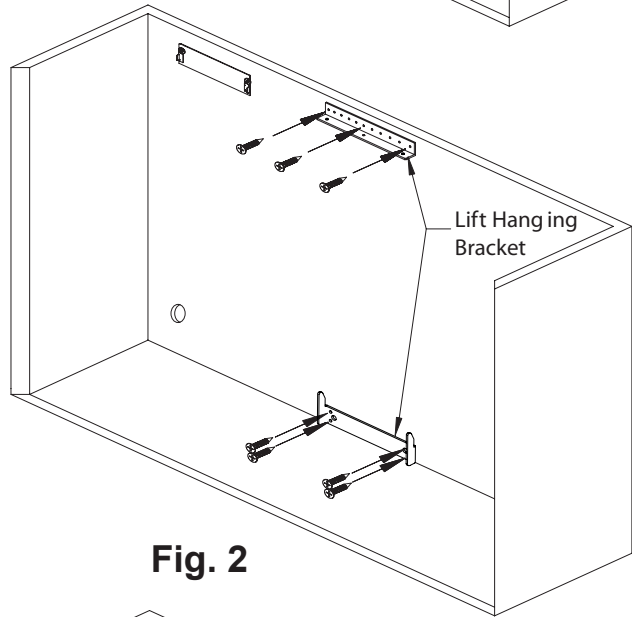


Fig. 2

- 3) Install the wire management clip.

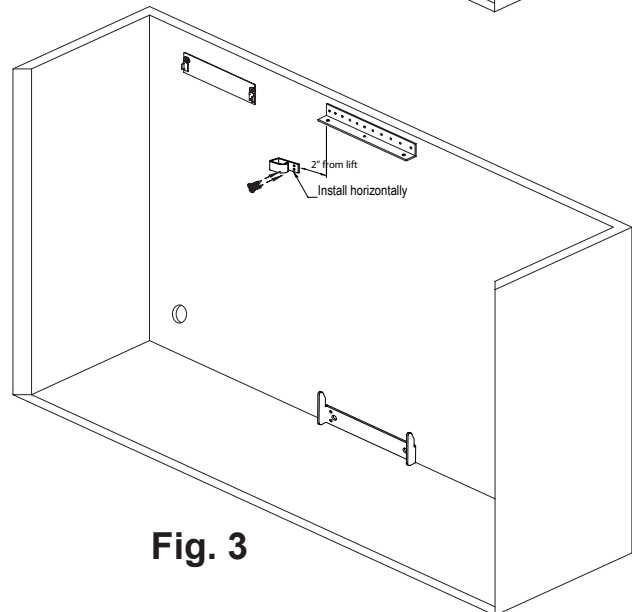


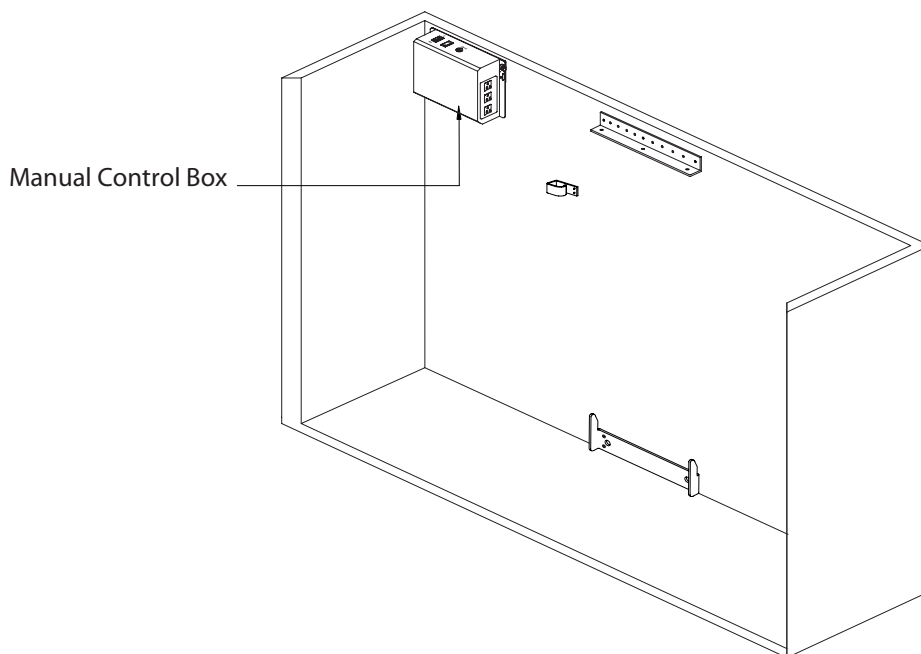
Fig. 3



## CAUTION

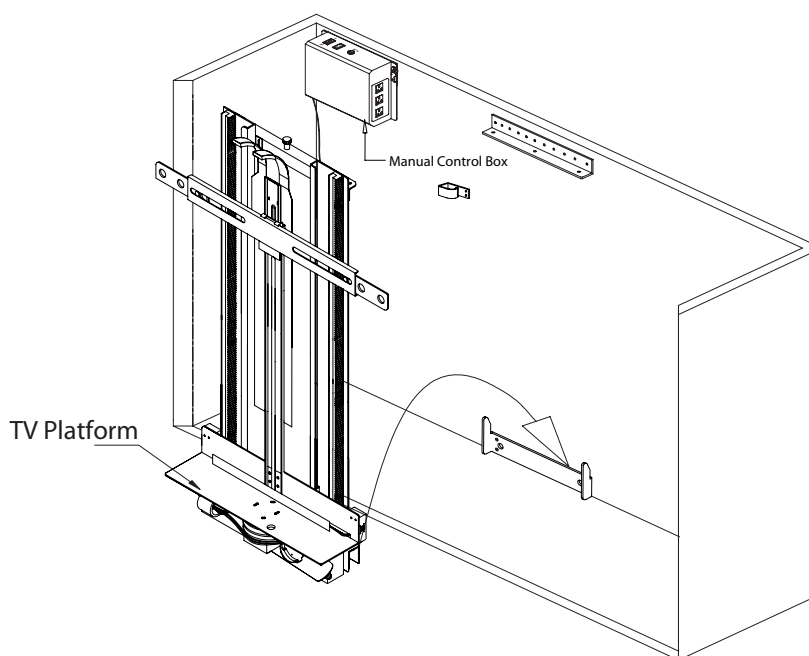
This clip must be located where wires cannot come in contact with the lift or become taught.

- 4) Hang the manual control box on the hanging bracket.



**Fig.4**

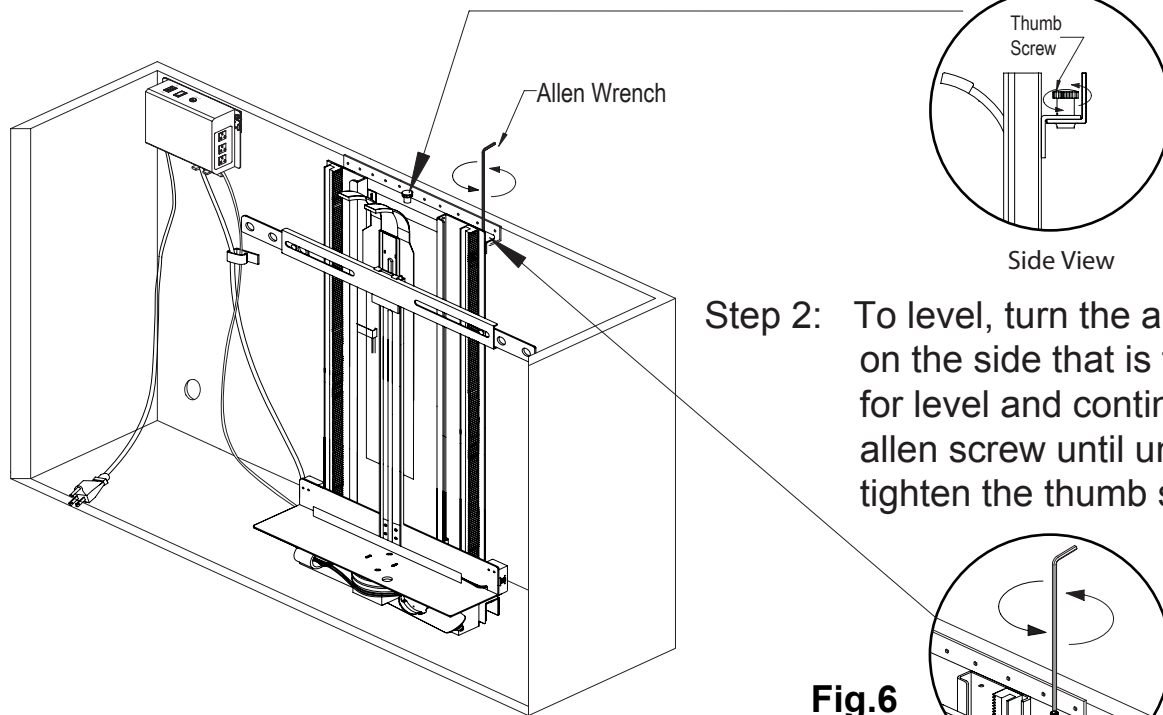
- 5) Hang the lift by inserting the bottom of the lift onto the lower hanging brackets metal pegs. Then insert one small allen head bolt into the top of the lift (do not fully tighten) & into the top hanging bracket.



**Fig.5**

6) To level the lift, you must make fine tune adjustments to level it.

Step 1: Slightly loosen the top center plastic bolt (do not remove).



Step 2: To level, turn the allen clockwise on the side that is too low. Check for level and continue turning the allen screw until unit is level. Retighten the thumb screw.

Fig.6

7) Plug the lift wires into manual control box and clip rubber grommets into the plastic retaining clips. Route the wires connecting the lift to the manual control box. You must clip these wire into the wire clip as shown in Fig.9.

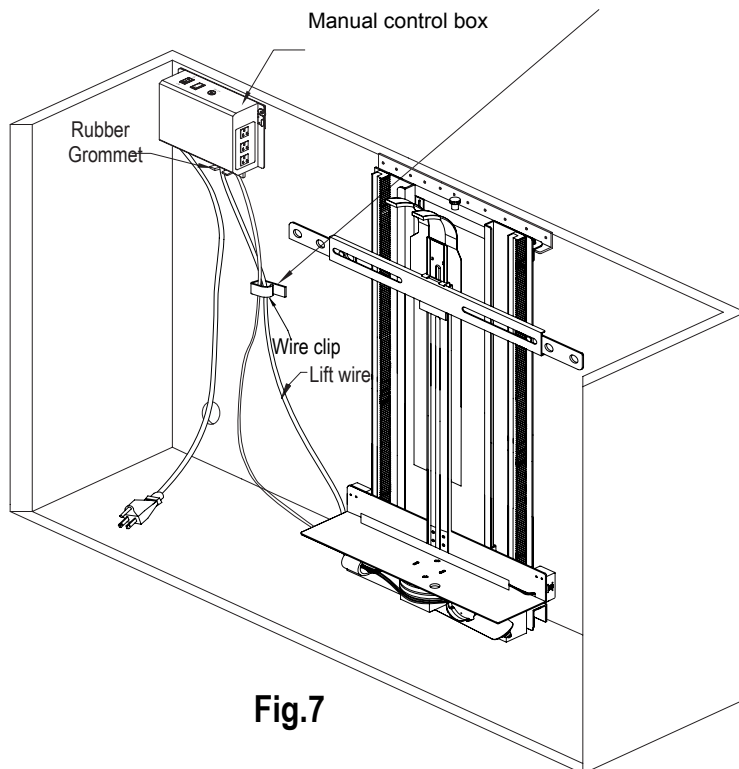
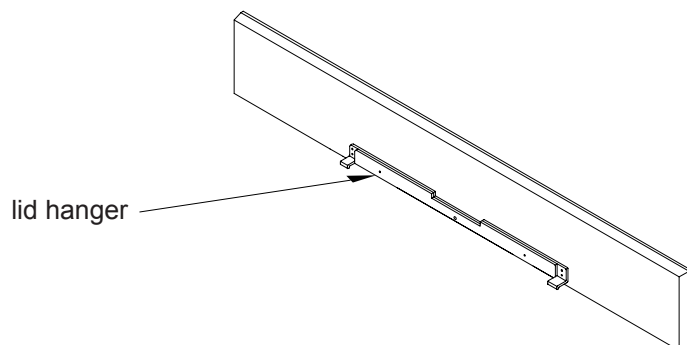


Fig.7

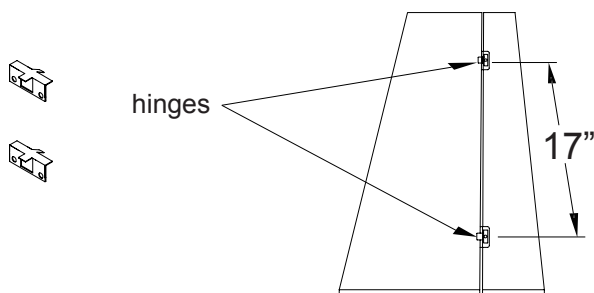
8) Attaching lid hardware.

( NOTE: Lid must be 8" in height for it to hinge properly.)

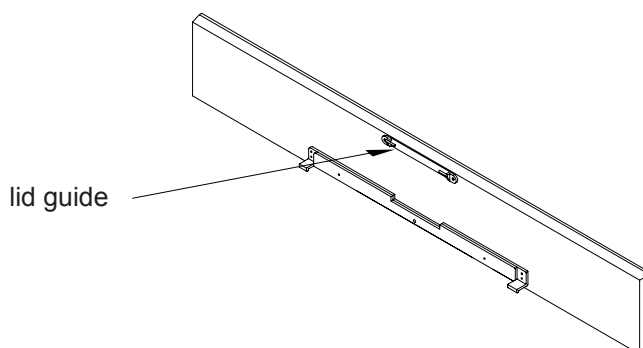
Step 1: Install lid hanger on center bottom edge of the underside of lid.



Step 2: Install the hinges 17" apart on center back edge of lid.



Step 3: Install the lid guide 1" behind the top edge of the underside of lid.



Step 4: Install the hinge receiver plates 17" on center of back fixed portion of the lid.

