

# Bold 3.0 Series Cabinetry

## INSTALLATION GUIDE



### **WARNING: Excessive weight hazard!**

Use two or more people to move, assemble, or install cabinets and locker to avoid back injury. Do not leave children unattended near cabinets. High risk of tipping if cabinets are installed incorrectly: securely attach cabinets to the wall to avoid serious injury. For assistance, call 1.877.306.8930; e-mail at [info@newageproducts.com](mailto:info@newageproducts.com).



### **ATTENTION:**

Is your cabinet damaged?  
Need help or spare parts? For fastest service, contact NewAge Products at 1-877-306-8930; or [support@newageproducts.com](mailto:support@newageproducts.com). Do not return to the retailer.

# Index

<a href="#">NewAge Products Inc. Garage Series Manufacturer Warranty</a>	3
<a href="#">Unpacking</a>	4
<a href="#">Tools Needed</a>	4
<a href="#">Parts Supplied</a>	5
<a href="#">Worktops, Guidelines and Weight Capacity</a>	6
<a href="#">Maintenance and Care</a>	6
<a href="#">Installing the Feet</a>	7
<a href="#">Installing Casters on Rolling Tool Cabinet</a>	8
<a href="#">Installing Drawers</a>	9
<a href="#">Installing Corner Cabinet</a>	10
<a href="#">Stacking Cabinets</a>	11
<a href="#">Installing Worktop Side Support Bracket</a>	12
<a href="#">Mounting the Worktop (on Two Cabinets)</a>	13
<a href="#">Mounting the fan onto Extended Lockers (Optional)</a>	14
<a href="#">Installing Cabinet Shelves</a>	16
<a href="#">Mounting Cabinets to Drywall/ Stud Wall</a>	17
<a href="#">Hanging Cabinets on Slatwall</a>	18
<a href="#">Fastening Cabinets Together</a>	19
<a href="#">Attaching Light Valance to Wall Cabinets</a>	20
<a href="#">Utility Access</a>	21

# NEWAGE PRODUCTS INC. BOLD SERIES MANUFACTURER WARRANTY

## PROOF OF PURCHASE IS REQUIRED TO OBTAIN WARRANTY SERVICE.

Please have the following information available when you call our customer service team:

- Name, address and telephone number
- Product Name / SKU Number
- A clear, detailed description of the problem
- Proof of purchase including order number

### Register your NewAge Products purchase online for quicker customer assistance and access to exclusive benefits

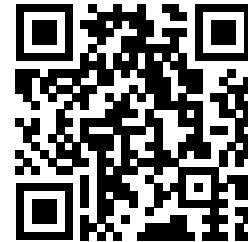
Visit [www.newageproducts.com/register/](http://www.newageproducts.com/register/)

### Warranty Claim

For warranty service please contact NewAge Products at **1-877-306-8930**; or [support@newageproducts.com](mailto:support@newageproducts.com)

Please review all warranty details below, prior to contacting NewAge Products for a claim.

Scan the QR code on the right to access our support page or visit [www.newageproducts.com/contact-us/](http://www.newageproducts.com/contact-us/)



Scan this QR code with the camera on your mobile device to visit the NewAge Products Support Hub

[www.newageproducts.com/support-hub/](http://www.newageproducts.com/support-hub/)

## LIFETIME LIMITED WARRANTY

### WHAT IS COVERED

When this product is installed, operated and maintained according to the instructions attached to or furnished with the product, NewAge Products Inc. will replace the defective product or parts if the part fails as a result of defective materials or workmanship for the warranty duration from the purchase date of the product.

### WHAT IS NOT COVERED

1. Service calls to correct the installation of any NewAge products or to instruct you how to use or install them.
2. Damage resulting from products caused by accident, misuse, abuse, fire, flood, improper installation, acts of God, neglect, modification or mishandling.
3. Products damaged by improperly loading beyond the specified maximum weight capacity outlined in the instructions provided with the product.
4. Repairs or replacement when your product is used in other than normal, residential use, such as a commercial environment, or handled in anyway inconsistent with the installation instructions included with the product.
5. Cosmetic damage, including scratches, dings, dents or cracks in paint that do not affect the structural or functional capability of the product.
6. Surfaces damaged due to improper use of chemicals, and detergents.
7. Replacement parts for NewAge products outside Canada and the United States.
8. Loss due to theft.
9. Damage resulting from use of the product contrary and not in accordance to the instruction manual.
10. Any labor costs during the warranty period.
11. Replacement keys or locking mechanisms.

### DISCLAIMER OF IMPLIED WARRANTIES

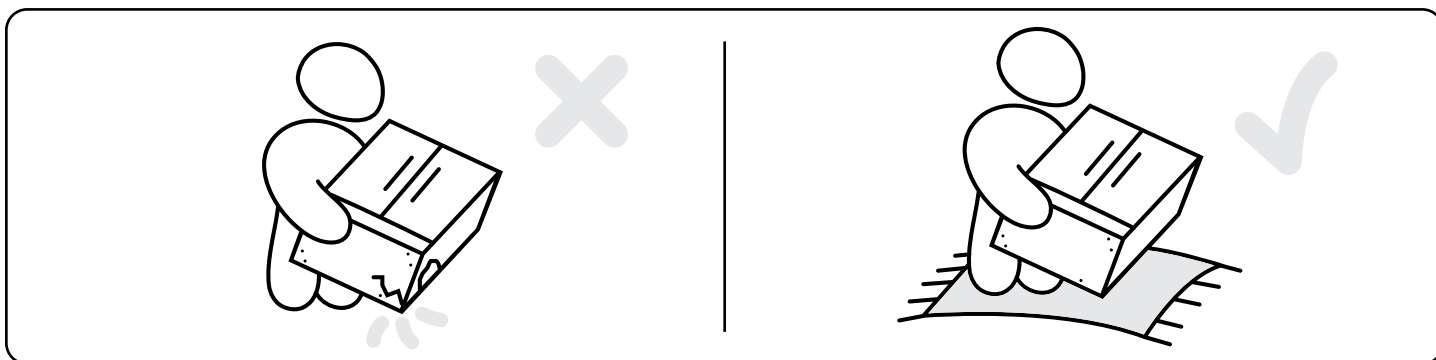
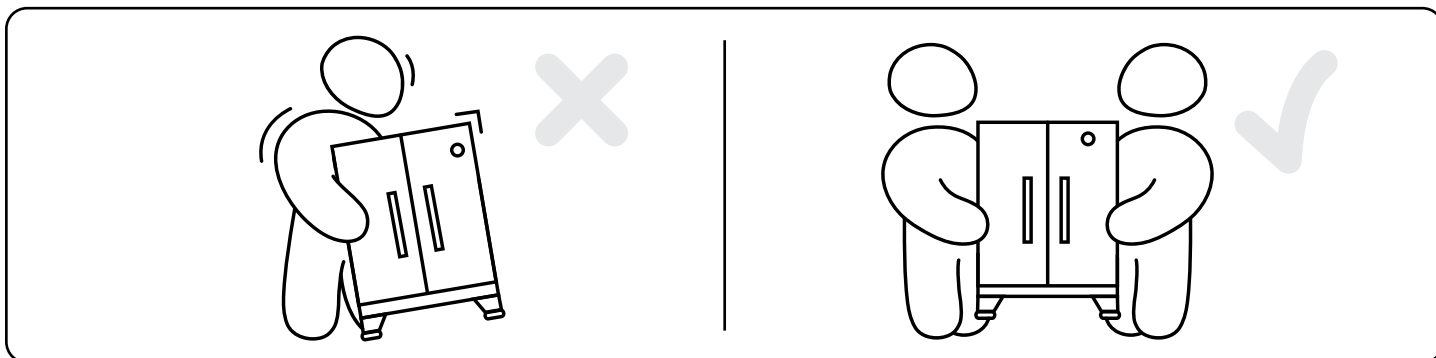
IMPLIED WARRANTIES, INCLUDING TO THE EXTENT APPLICABLE WARRANTIES OF MERCHANTABILITY OR FITNESS FOR A PARTICULAR PURPOSE, ARE EXCLUDED TO THE EXTENT LEGALLY PERMISSIBLE. ANY IMPLIED WARRANTIES THAT MAY BE IMPOSED BY LAW ARE LIMITED TO ONE YEAR, OR THE SHORTEST PERIOD ALLOWED BY LAW. THIS WARRANTY IS LIMITED TO THE ORIGINAL BUYER. Some states and provinces do not allow limitations on the duration of implied warranties of merchantability or fitness, so this limitation may not apply to you. This warranty gives you specific legal rights, and you also may have other rights that vary from state to state or province to province.

### LIMITATION OF REMEDIES; EXCLUSION OF INCIDENTAL AND CONSEQUENTIAL DAMAGES

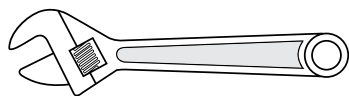
YOUR SOLE AND EXCLUSIVE REMEDY UNDER THIS LIMITED WARRANTY SHALL BE PRODUCT REPAIR OR REPLACEMENT AT OUR DISCRETION AS PROVIDED HEREIN. NEWAGE SHALL NOT BE LIABLE FOR INCIDENTAL OR CONSEQUENTIAL DAMAGES. Some states and provinces do not allow the exclusion or limitation of incidental or consequential damages, so these limitations and exclusions may not apply to you. This warranty gives you specific legal rights, and you also may have other rights that vary from state to state or province to province.

# Unpacking

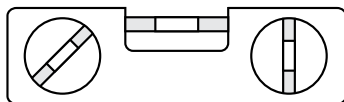
- Begin by placing the package on a covered flat surface.
- Remove all cardboard, foam packaging material and clear plastic bags.
- Dispose / recycle all packaging materials.
- Verify all the contents in the box and gather the required tools. See "Parts" and "Tools Needed" in the list below.



## Tools Needed



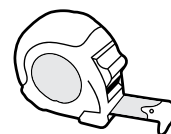
1 x Adjustable wrench



1 x 12" Magnetic Leveler



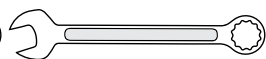
1 x Stud Finder



1 x Tape Measure



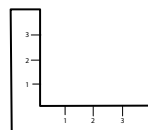
1 x 7/16" Socket driver wrench



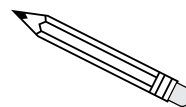
1 x 8mm" Socket driver wrench



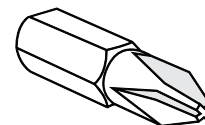
1 x 7/16" socket



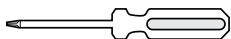
1 x Set Square



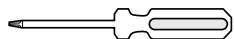
1 x Pencil



1 x #2 Phillips Bit



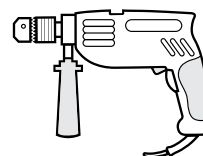
1 x #2 Phillips head screw driver



1 x #3 Phillips head screw driver



1 x Cordless Power Drill



1 x Hammer Drill

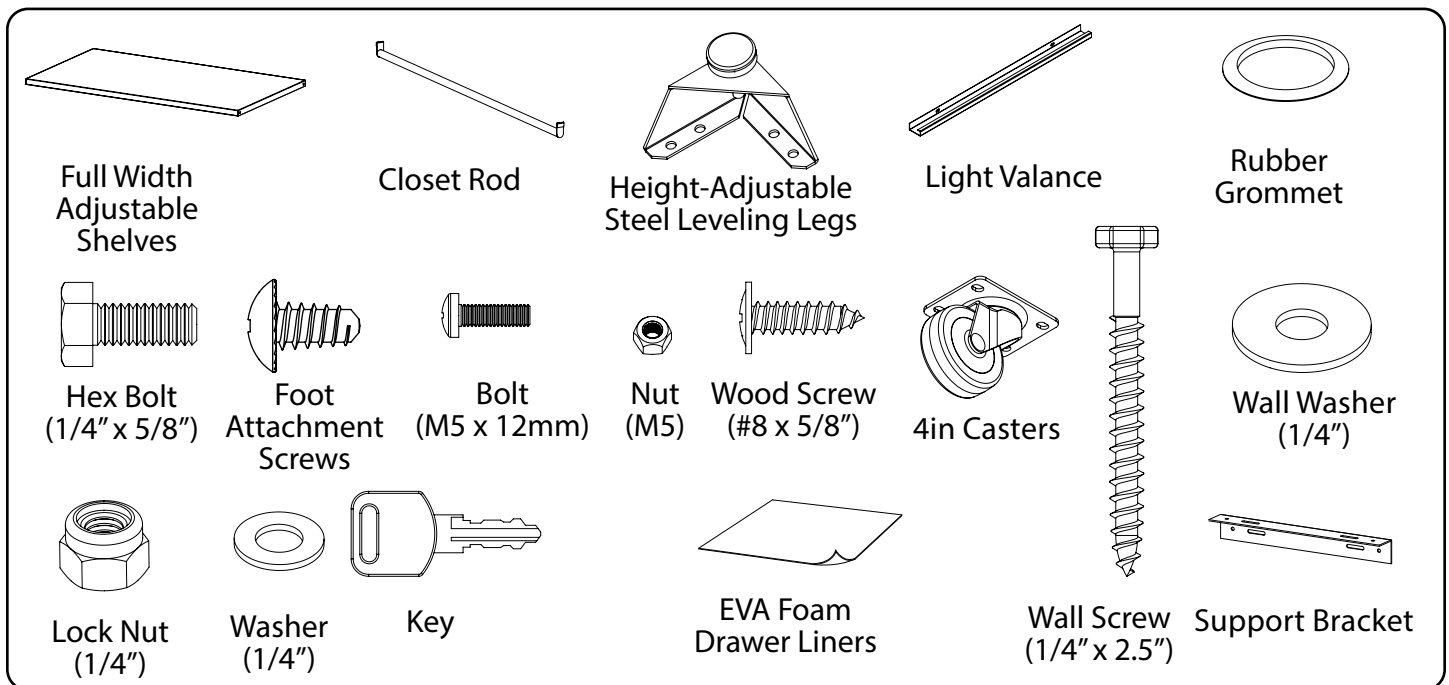


1 x Masonry Bit

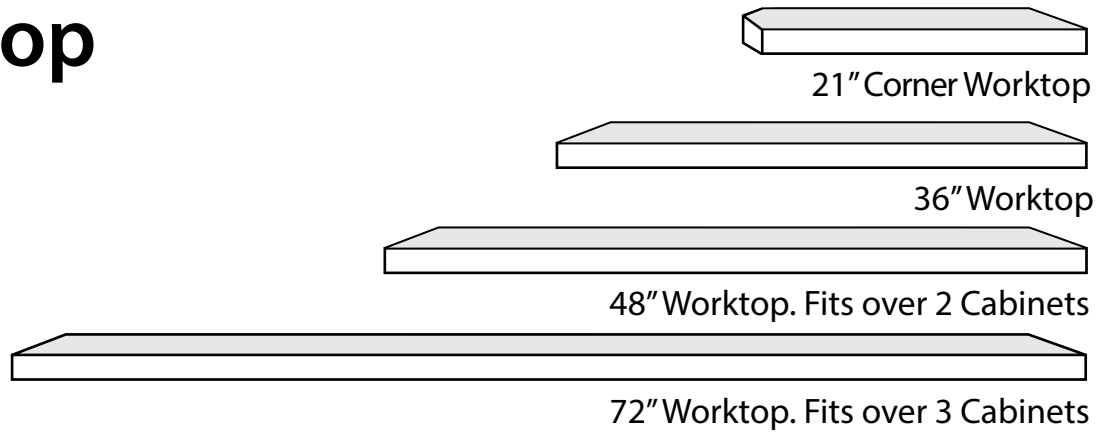
[optional for masonry]

# Parts Supplied

Type	Hardware	30in Locker	42in Locker	Wall	Corner Wall	Base Cabinet	Rolling Tool Cabinet	Tool Cabinet	36" Extended Lockers	48" Extended Lockers
Hardware Pack	#8 x 5/8" Wood Screw	2	2	0	8	4	0	4	2	2
	1/4" ID x 1/2" OD Washer	22	22	8	8	8	17	8	16	16
	1/4" Lock Nut	8	8	4	0	4	0	4	8	8
	1/4" x 0.9" Fender Washer	4	6	4	8	4	0	4	4	4
	1/4" x 2.5" Wall Screw	4	6	4	8	4	0	4	4	6
	1/4"-20 x 5/8" Hex Bolts	10	10	4	8	4	17	4	8	8
	Foot Attachment Screws	17	17	0	0	17	0	17	17	17
	Keys	2	2	2	2	2	2	2	2	2
	Light Valence Bolts	0	0	2	2	0	0	0	0	0
	Light Valence Nuts	0	0	2	2	0	0	0	0	0
Additional Hardware	Plastic Hole Caps	16	16	8	0	0	0	0	16	16
	Adjustable Leveling Feet	4	4	0	0	4	0	4	4	4
	Power Cord Grommet - 2in	1	1	0	0	1	0	0	2	2
Included Components	4in Swivel Casters	0	0	0	0	0	2	0	0	0
	4in Fixed Casters with Brakes	0	0	0	0	0	2	0	0	0
	Adjustable Shelves	3	3	0	0	1	0	0	3	3
	Cabinet Leg	4	4	0	0	4	0	4	4	4
	Closet Rod	1	1	0	0	0	0	0	1	1
	EVA Foam Drawer Liners	0	0	0	0	0	4	4	0	0
	Light Valence	0	0	1	1	0	0	0	0	0
NewAge Logo	1	1	0	0	0	0	0	1	1	
Included Brackets	Side Support Bracket	1	1	0	2	0	0	0	1	1



# Worktop



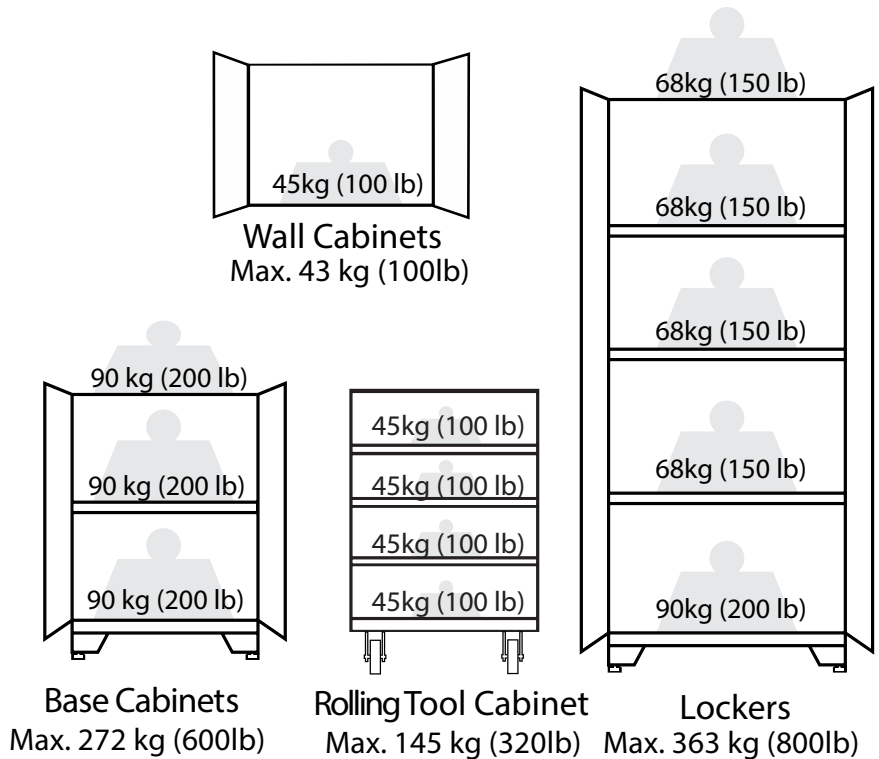
# Weight Capacity

**NOTE:**

Claimed weight capacities are only with NewAge worktops installed



250 lbs per foot.  
800 lbs. per Set of 4



## Maintenance

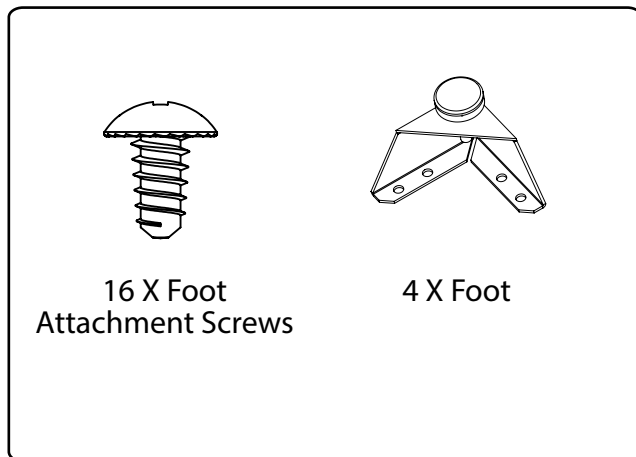
- Lubricate the slides semi-annually using a spray lubricant or light-duty oil.
- Check all screws and nuts periodically for tightness. Tighten, as necessary.

## Care and Cleaning

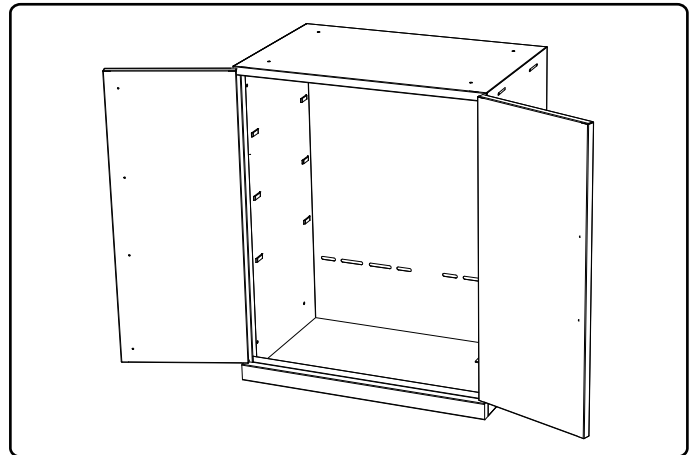
- Clean cabinet surfaces and drawers periodically with a soft cloth and water.
- Remove grease and oil using standard cleaning fluids.

# Installing the Feet

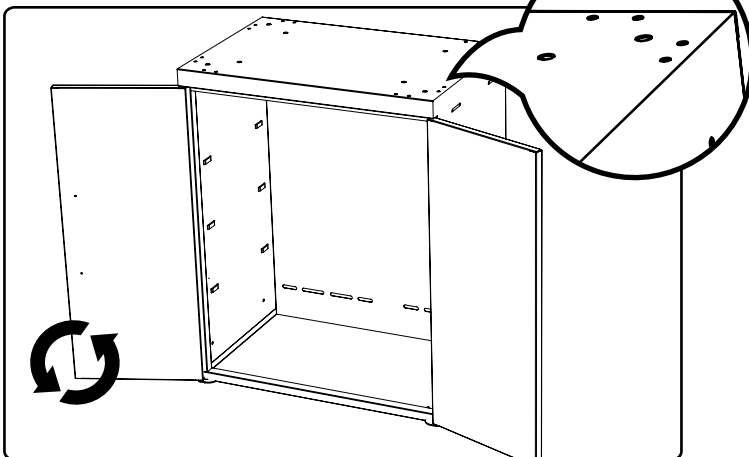
## **i** Parts Needed.



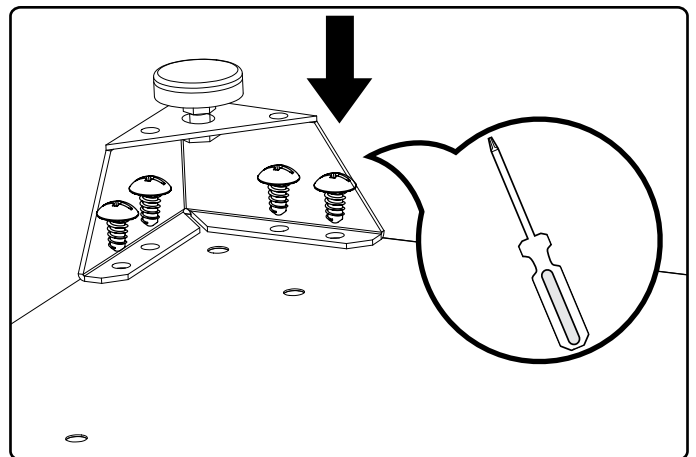
## **1** Open cabinet, remove any shelves or loose items.



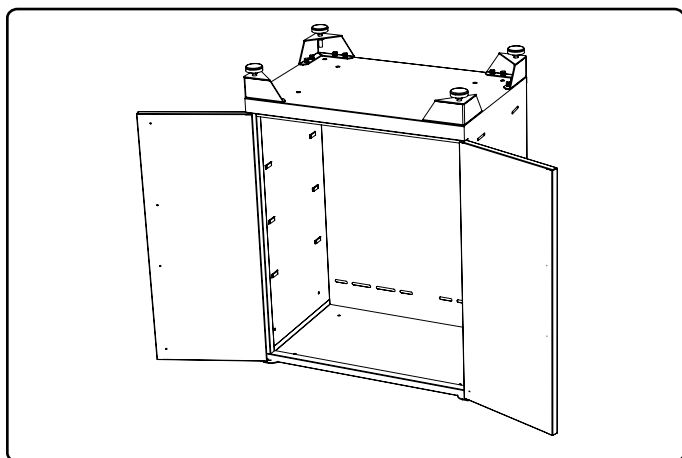
## **2** Flip cabinet upside down, locate holes at corners.



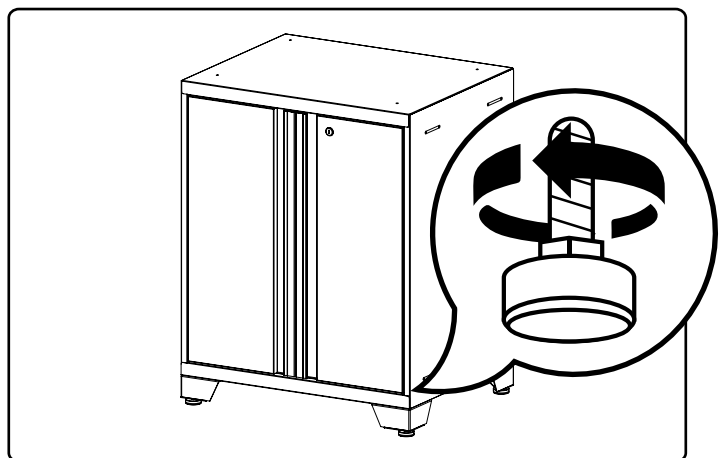
## **3** Align foot with edge of cabinet. Screw in 4 x foot attachment screws using #3 philips screwdriver.



## **4** Repeat step 3 for each corner.



## **5** Stand & level feet.

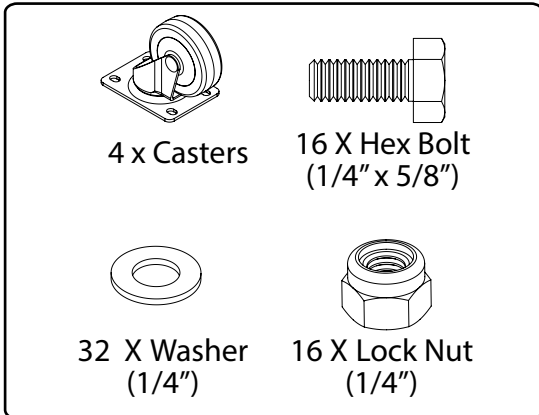


# Installing Casters on Rolling Tool Cabinet

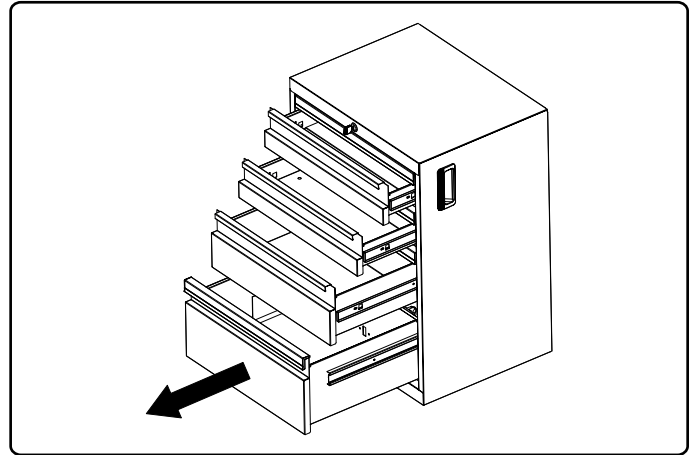
## Note:

Castors sold separately.

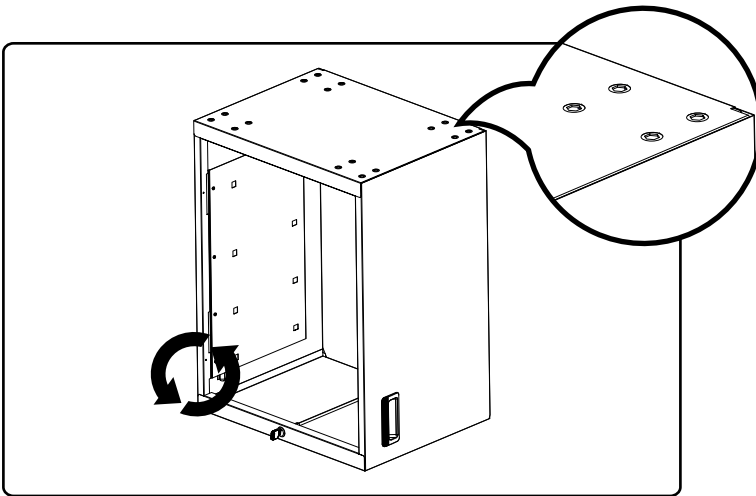
## Parts Needed.



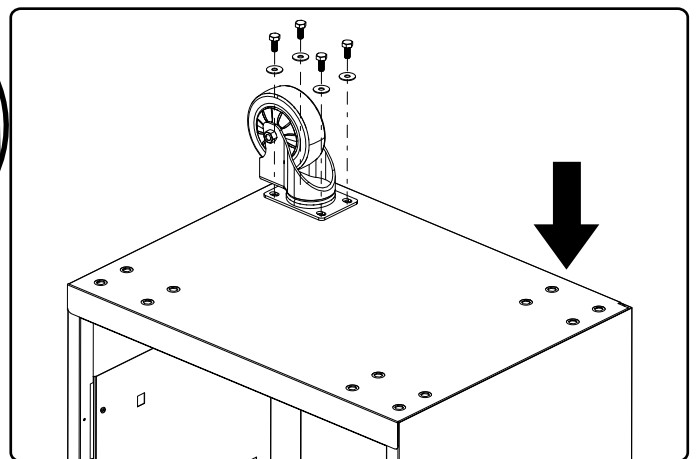
## **1** Remove all cabinet drawers. Refer Page 8.



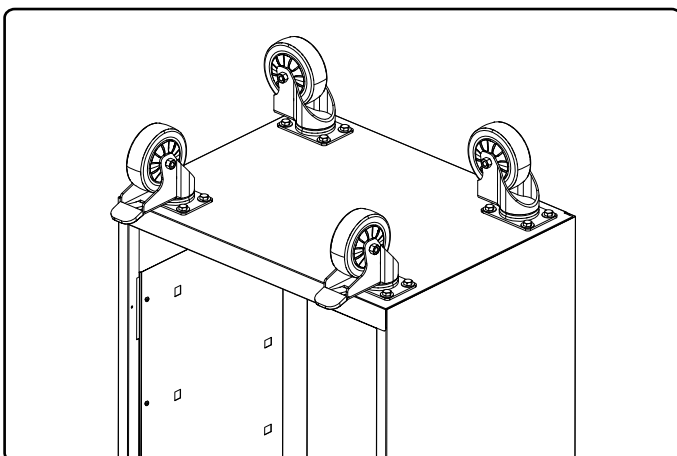
## **2** Flip cabinet upside down, locate holes forming a square.



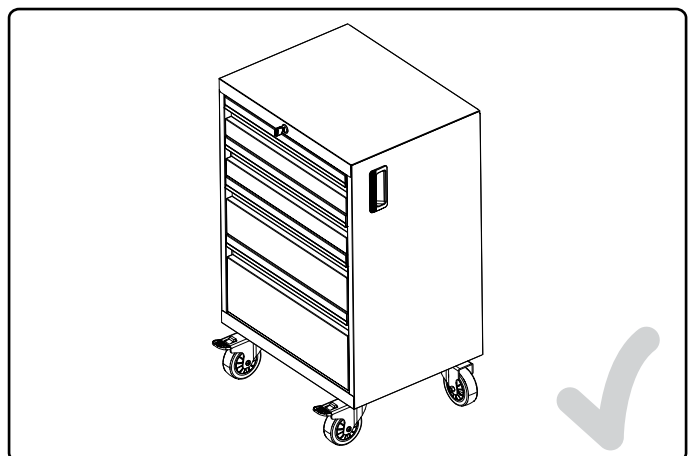
## **3** Align caster holes and bolt to cabinet using 4 Hex bolts and Lock nuts with 8 washers



## **4** Repeat steps 3 for each corner.

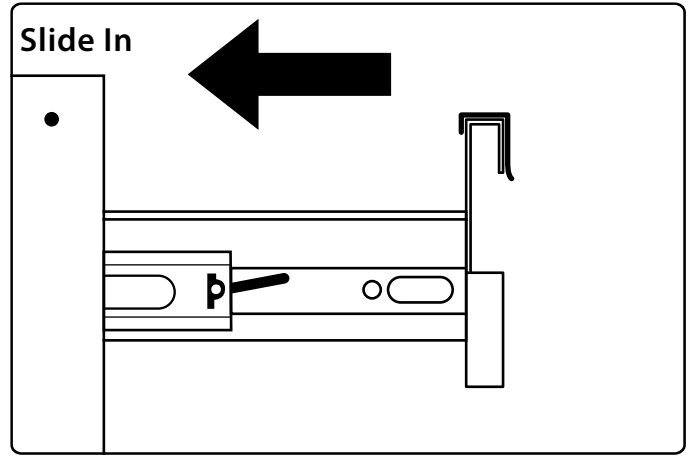
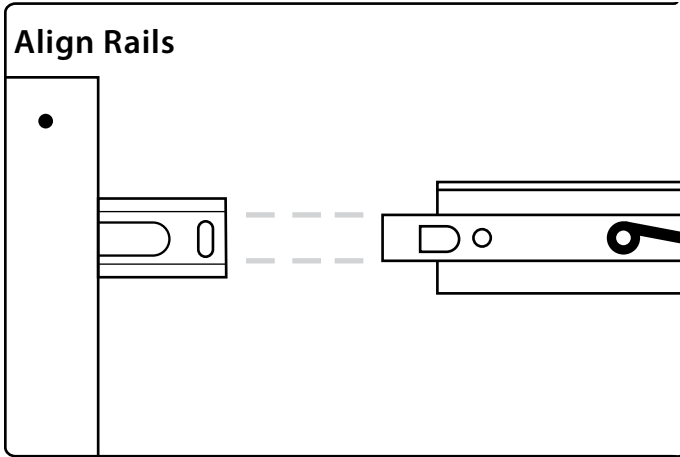


## **5**

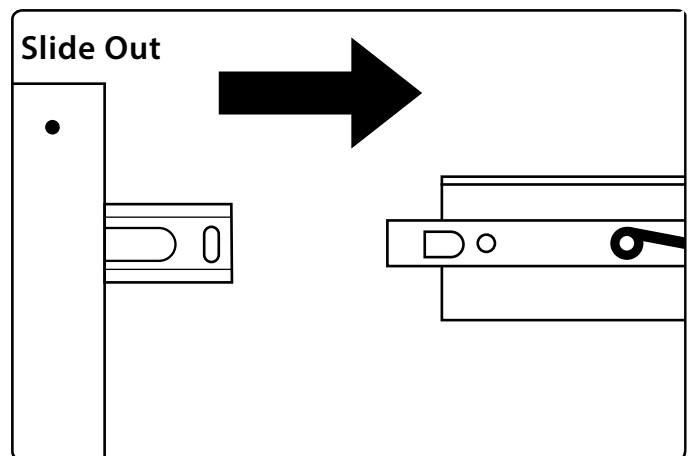
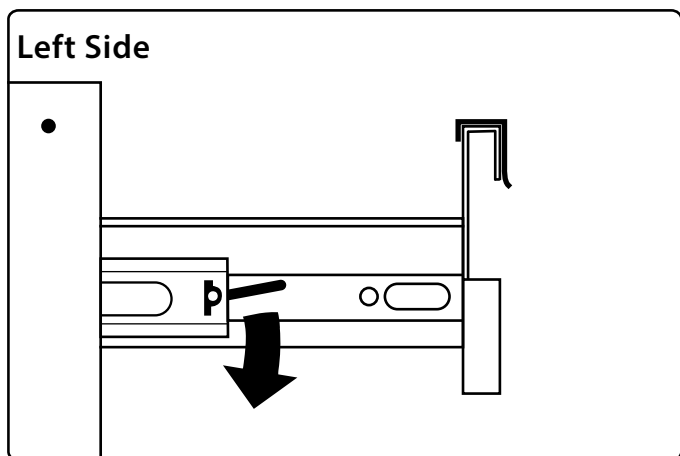
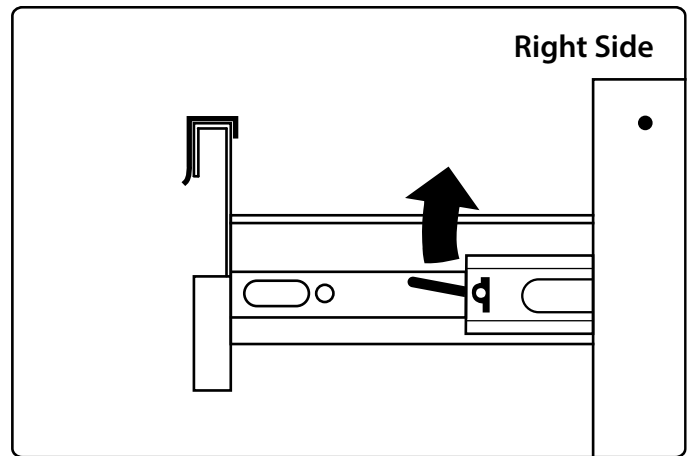
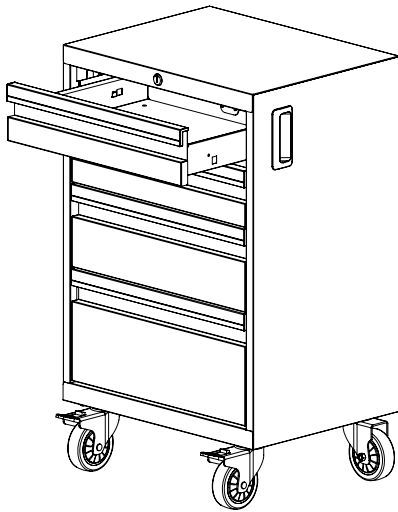


# Installing the Drawers

## Inserting Drawers.



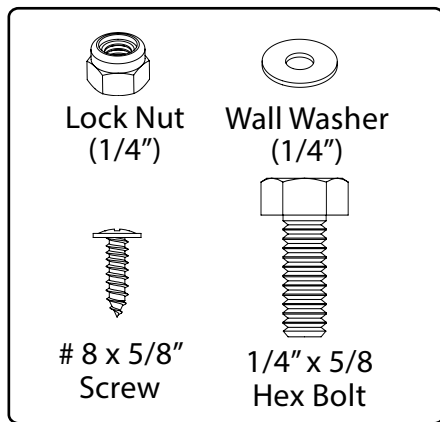
## Removing Drawers.



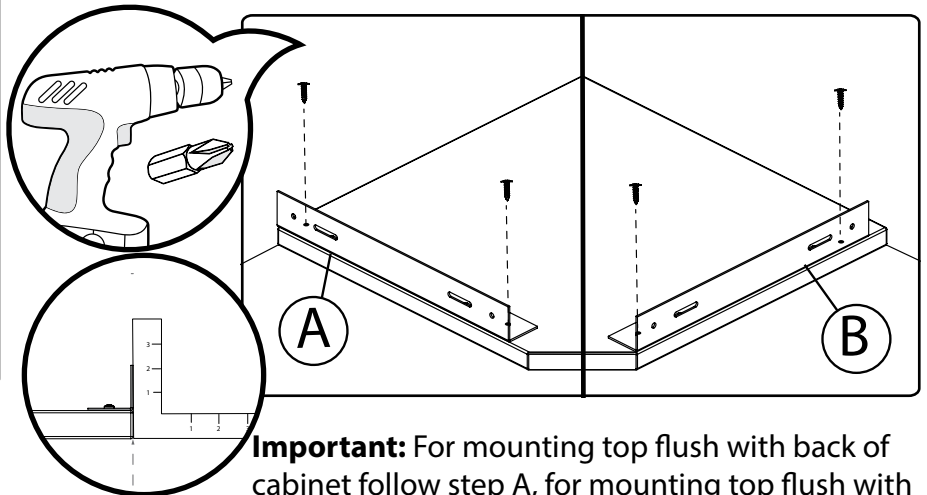
# Installing Corner Cabinet

**Note:** Ensure there is enough assembly room. Cabinets must be assembled away from corner to access backs of cabinets.

## **i** Parts Needed.

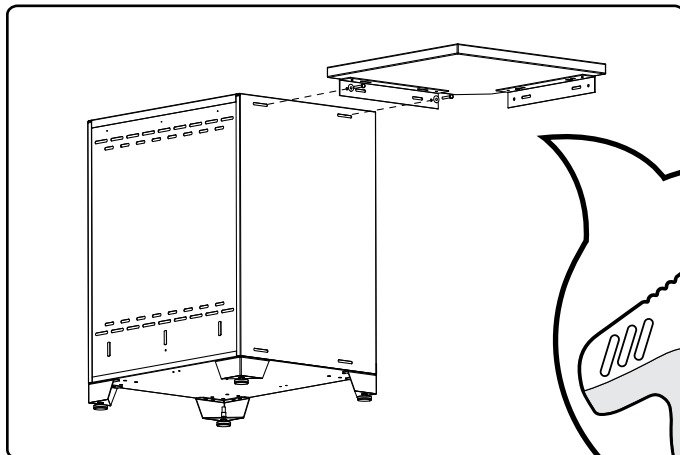


## **1** On adjacent edges attach 2 support brackets to underside of corner top using the supplied (4) #8 x 5/8" screws.

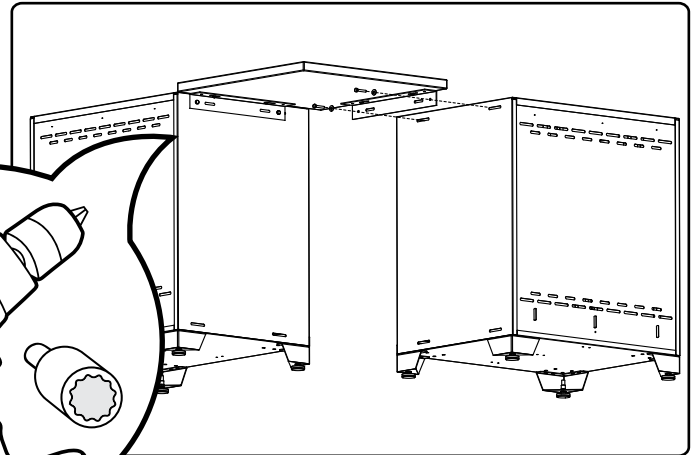


**Important:** For mounting top flush with back of cabinet follow step A, for mounting top flush with front follow step B and flush with edge step C.

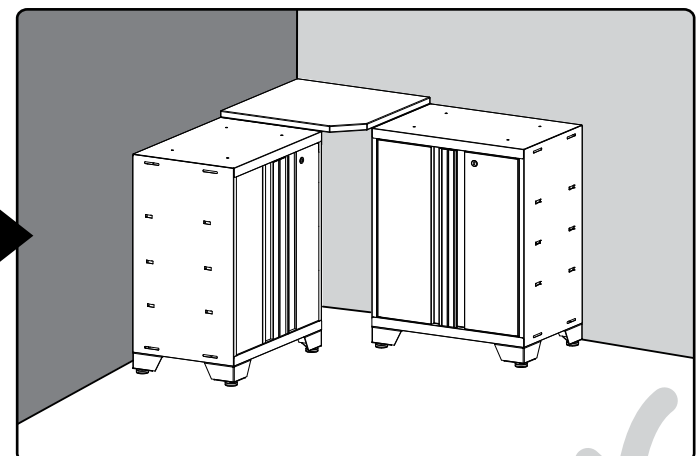
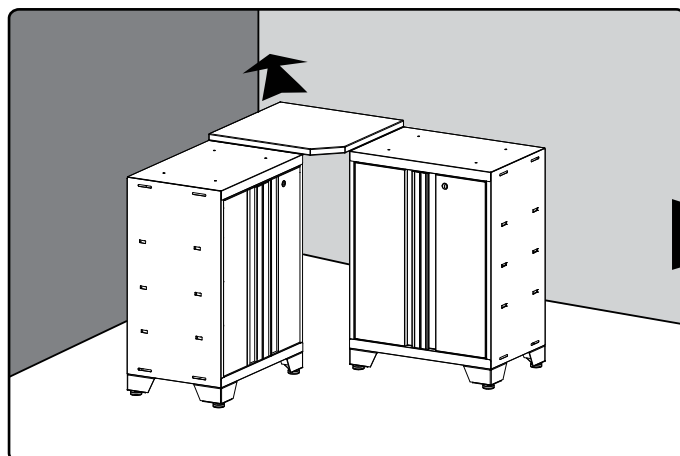
## **2** Attach top to one cabinet using 1/4" x 5/8 hex bolts, nuts, and washers.



## **3** Attach second cabinet to top.

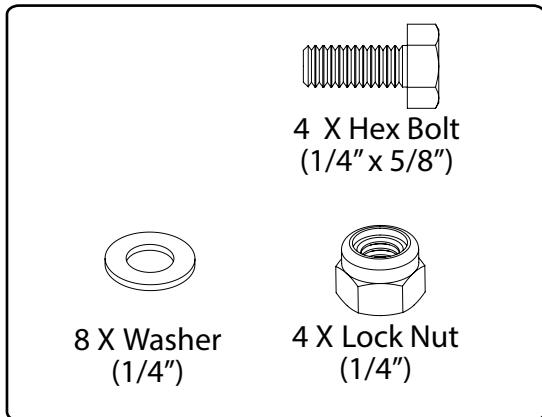


## **4** Slide in corner and attach remaining cabinets.

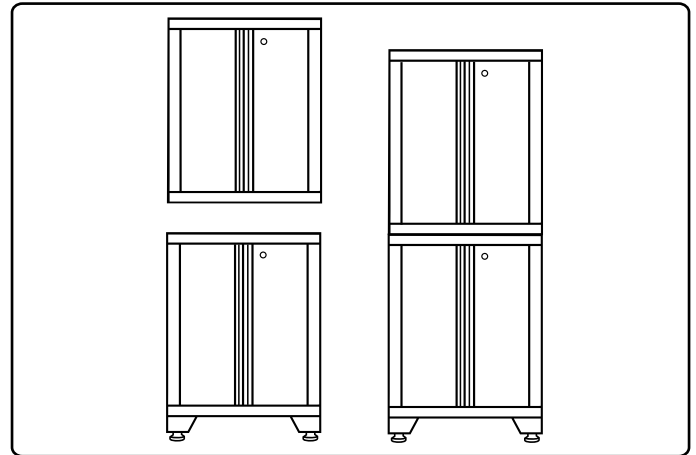


# Stacking Cabinets

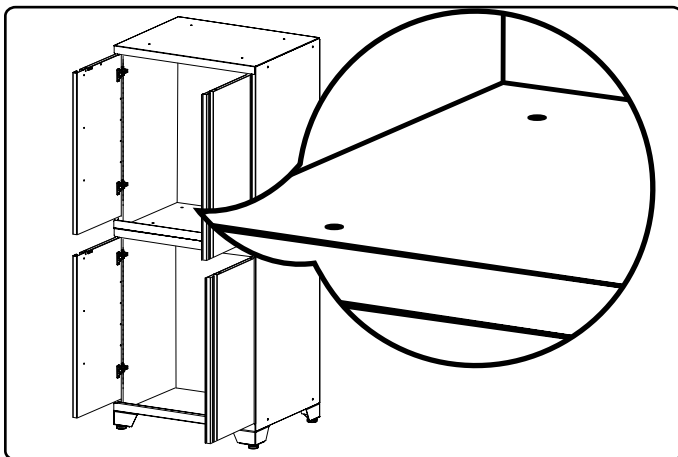
## **i** Parts Needed.



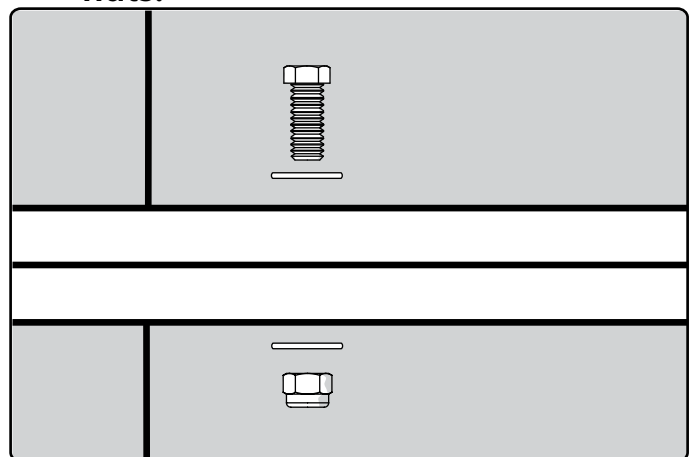
## **1** Position a second base cabinet on top of an existing base cabinet.



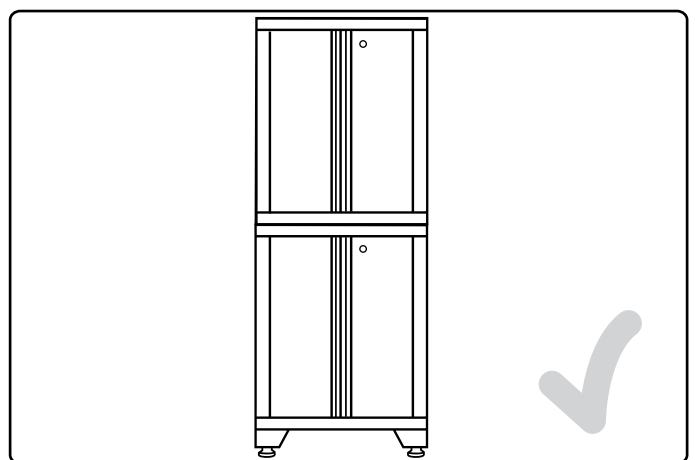
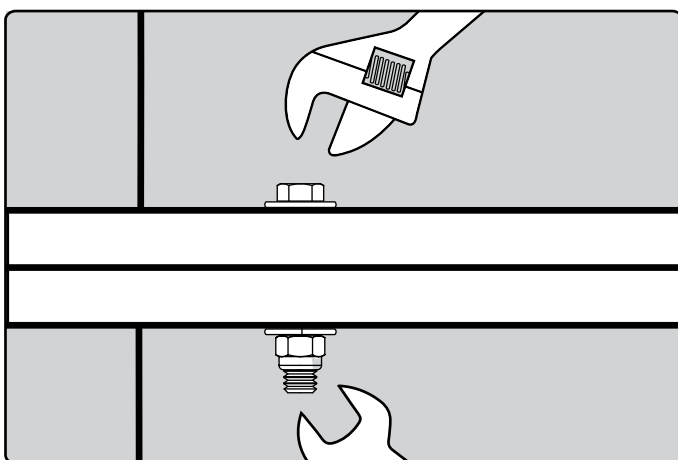
## **2** Locate punch holes on adjoining surface and insert bolts.



## **3** Attach cabinets using the supplied 1/4" x 5/8" hex bolts, washers, and nuts.



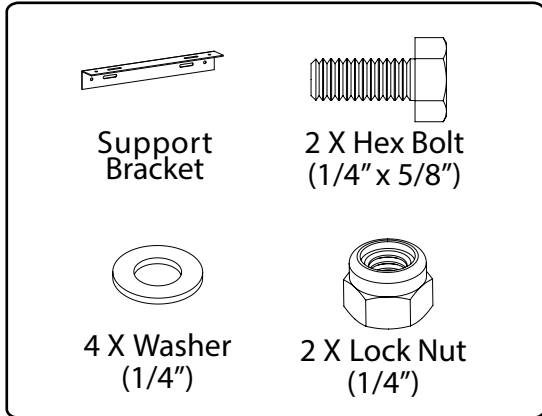
## **4** Tighten all bolts



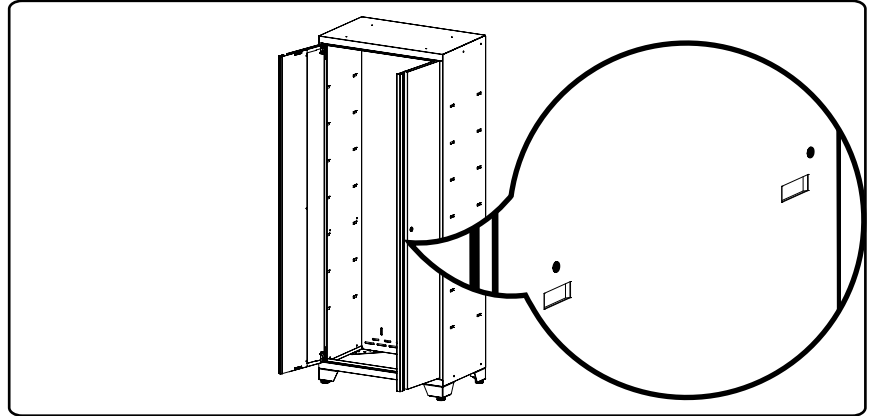
# Installing Worktop Side Support Bracket

**Note: Support Bracket Sold Separately**  
A support bracket is to be used if the worktop is added to the set without a secondary supporting base/tool cabinet.

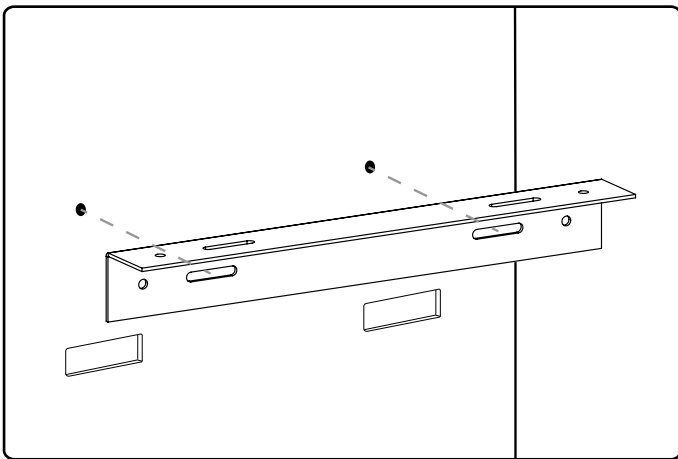
## **i** Parts Needed.



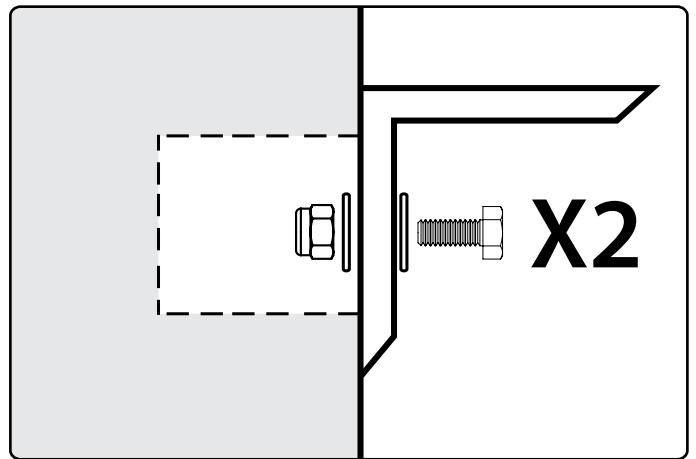
## **1** Open locker and locate holes on either side.



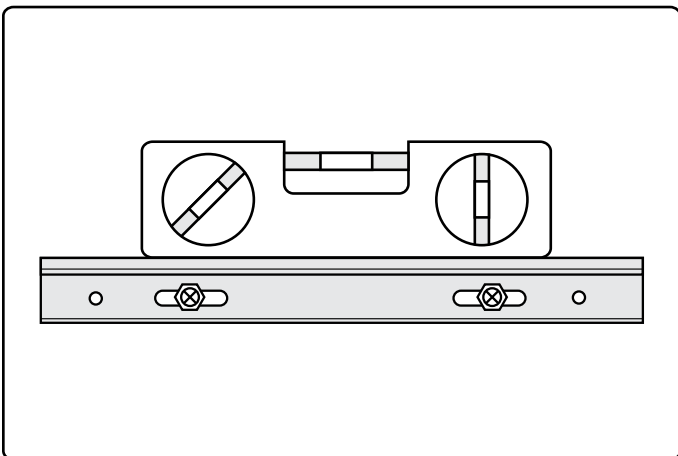
## **2** Align bracket.



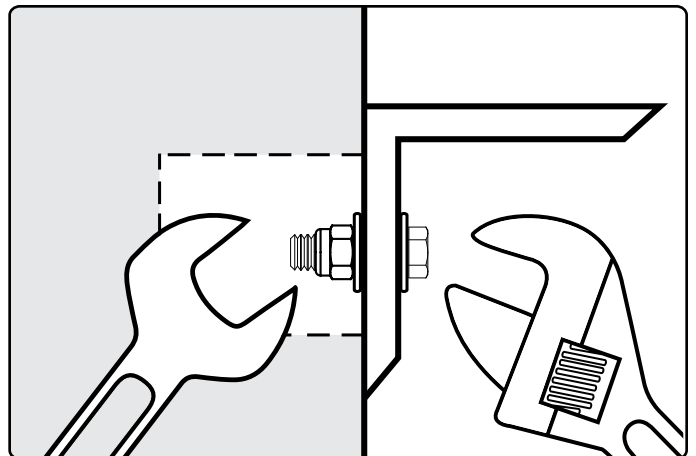
## **3** Fasten nuts, bolts, and lock washers.



## **5** Level bracket and ensure it is at the same height as the base cabinet.

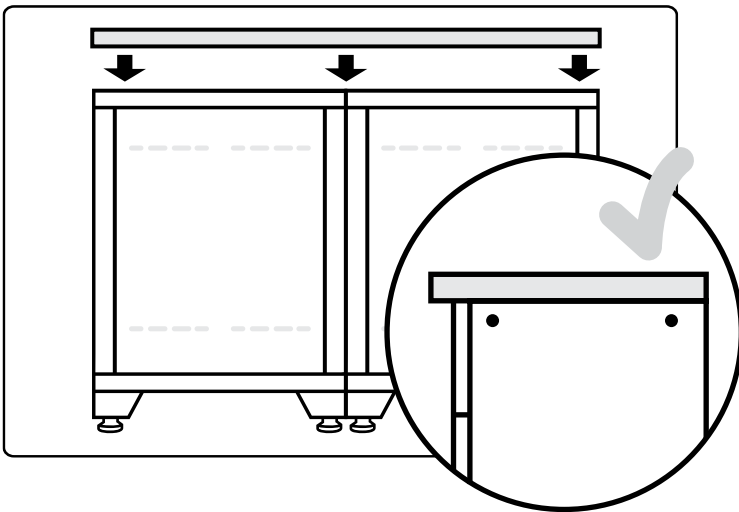


## **4** Tighten nuts & bolts.

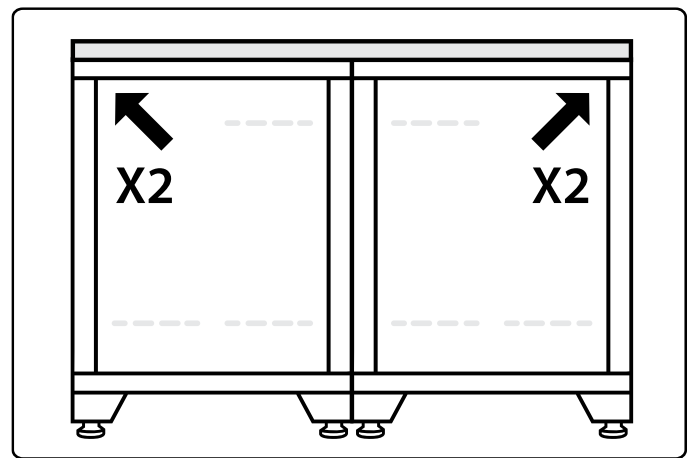


# Mounting the Worktop (On 2 Cabinets)

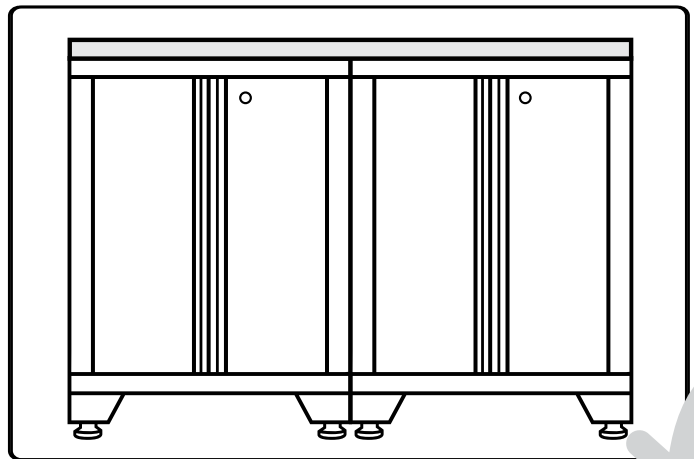
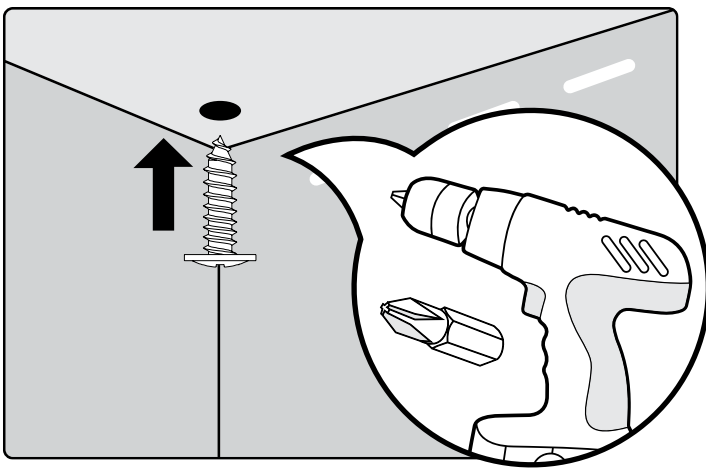
**1** Place worktop on cabinets.



**2** Locate 2 punch holes both sides.

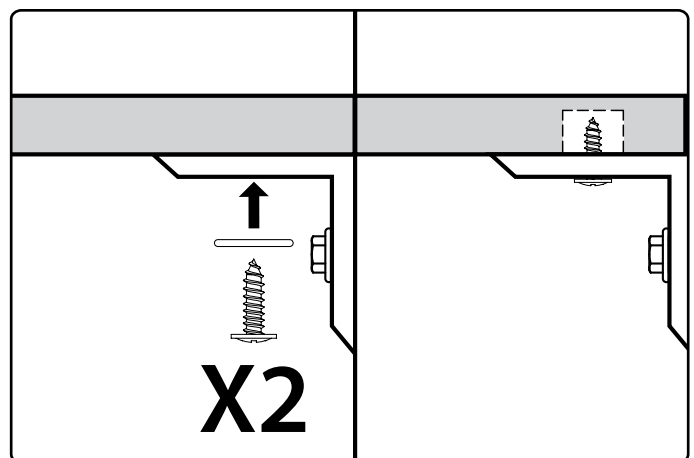
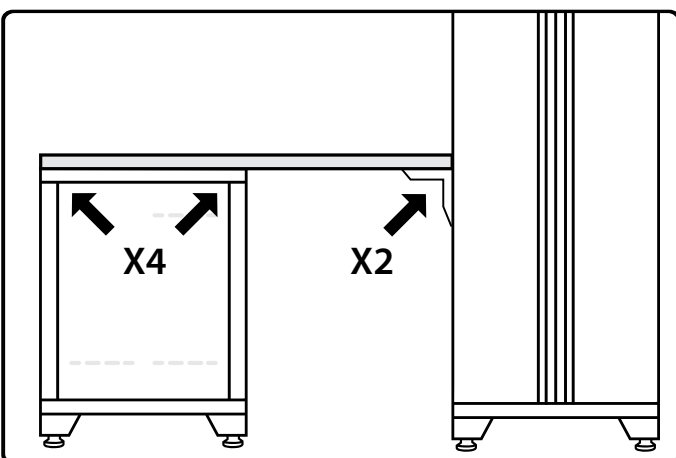


**3** Drill into the worktop using the #8 x 5/8" wood screws.



**i** Optional: For locker support bracket.

Use 2 washers & #8 x 5/8" wood screws. Provided in the locker packaging.

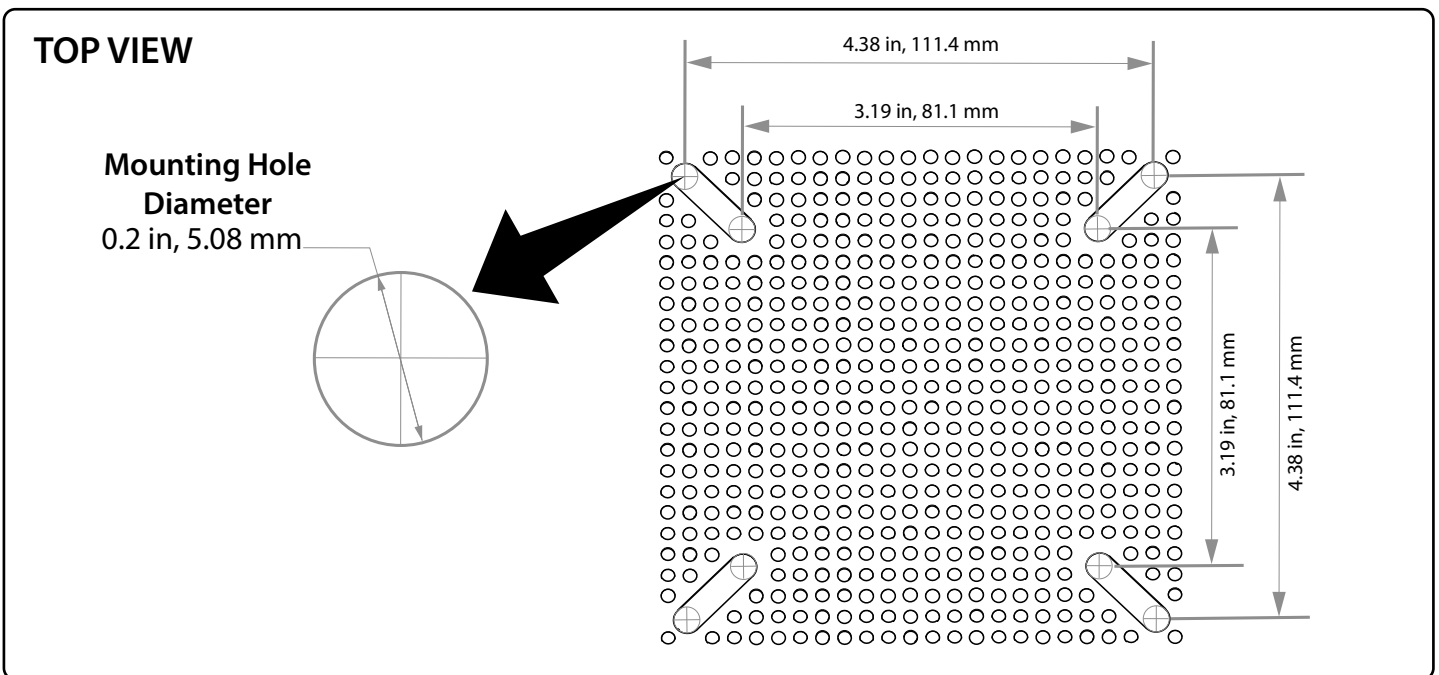


# Mounting the Fan onto Lockers (Optional)

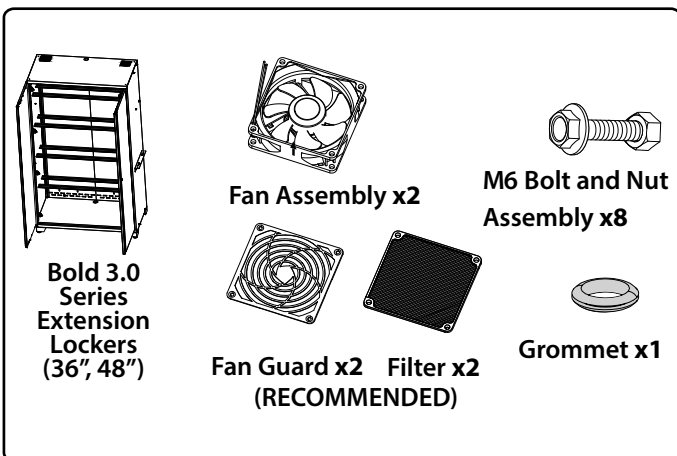
## Warning

Fan installation is optional and any of the fan components are not included in the package. Such fan can only be installed onto **Bold 36"** and **Bold 48" Extended Lockers**.

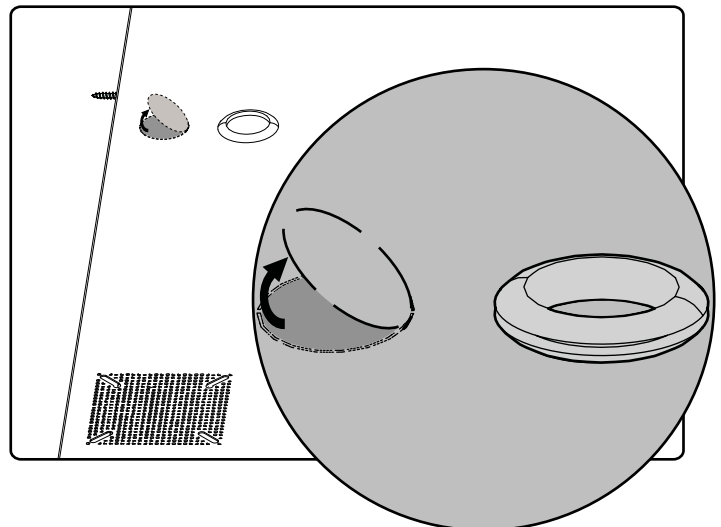
- DO NOT stand inside the locker during fan installation.
- Its customer's responsibility that the fan installation meet the **National Electrical Code**.
- Customer has to purchase aftermarket fan. 90mm to 120mm width (3.5in to 4.72in) are the recommended fan sizes. Please refer to the minimum and maximum W X H hole locations on the fan to ensure fans are compatible.
- Refer to the mounting hole diameter below. The outer diameter of the Bolts should be 0.2 in/ 5.08 mm or smaller.



## Parts Required.

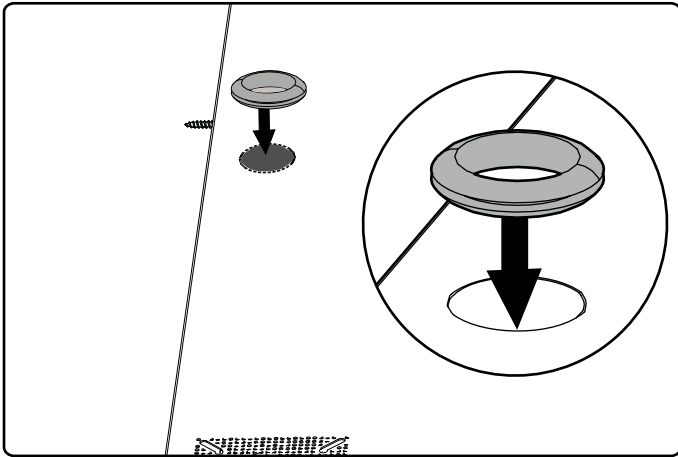


## **1** Using the pre-defined hole location on locker, create an opening to feed the wires that are provided with the fan assembly.

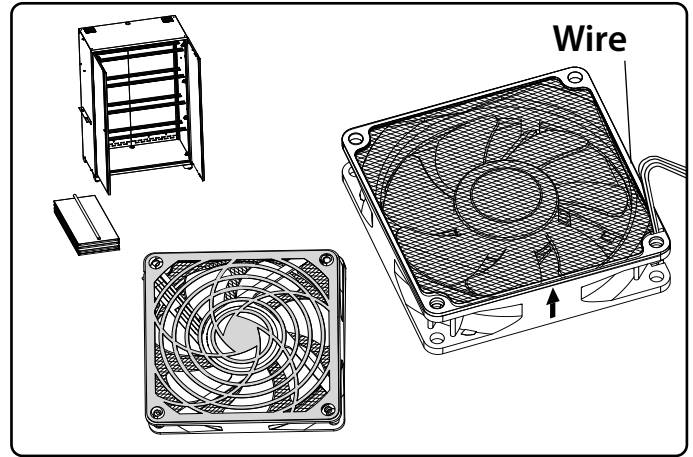


# Mounting the Fan onto Lockers (Optional)

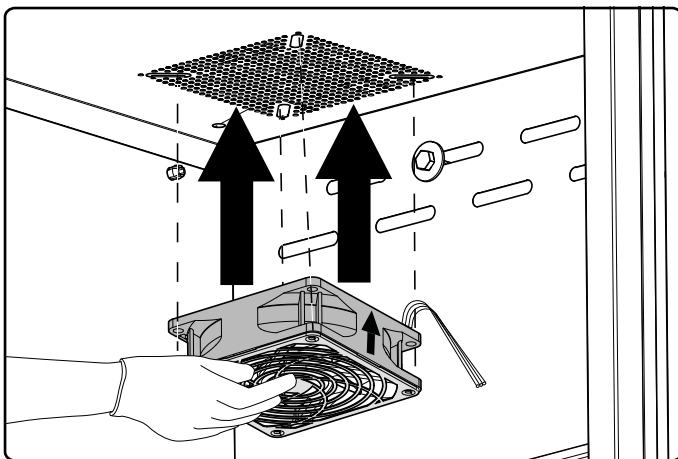
- 2** Add a rubber grommet, provided in the hardware box, around the opening.



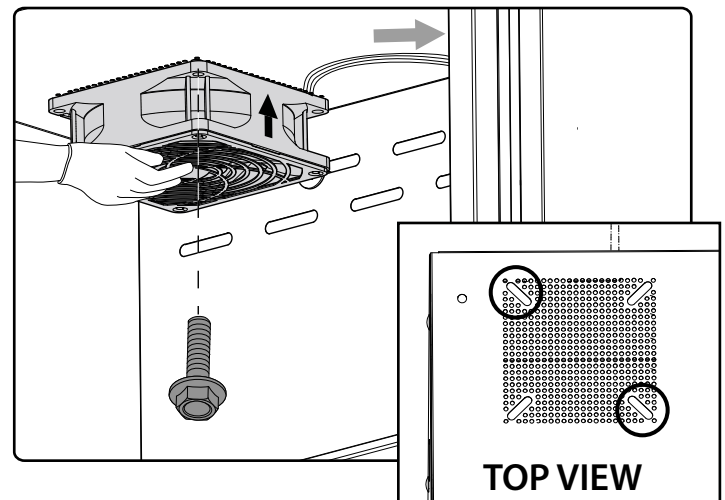
- 3** Attach the Filter and Fan guard onto the Fan Assembly as per supplier's instructions. Remove Locker shelves.



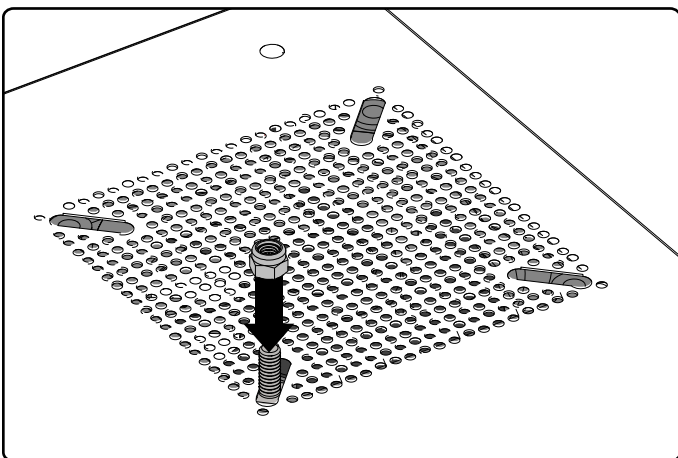
- 4** Place the fan assembly from underneath the Locker and hold as shown.



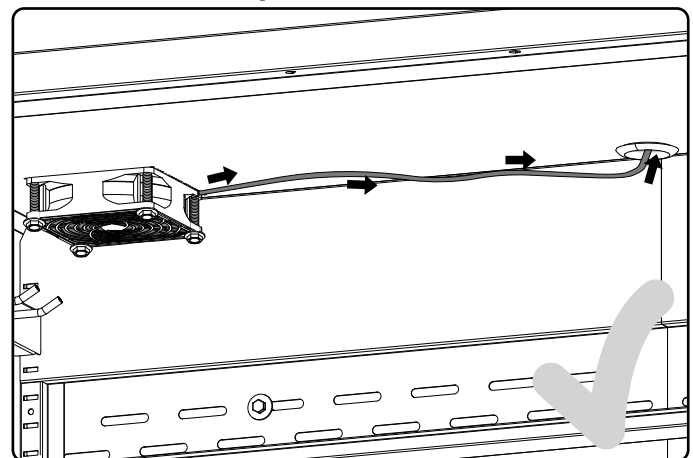
- 5** From underneath, insert the bolt into the diagonal mounting holes of Fan Assembly.



- 6** Tighten the nuts on the bolts from outside of the Locker. Repeat step 5 and step 6 for remaining bolts.

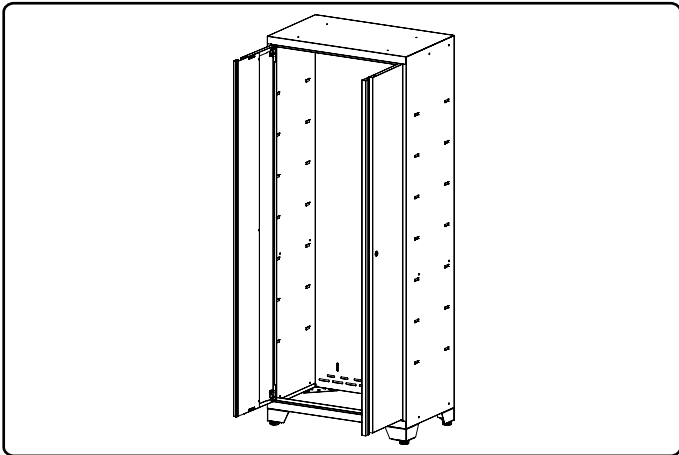


- 7** Route the wire up to the power source through grommet. Follow similar steps and install second fan.

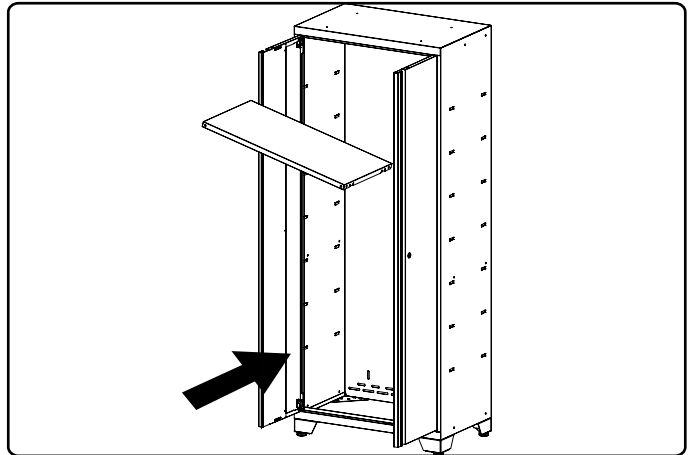


# Inserting Cabinet Shelves

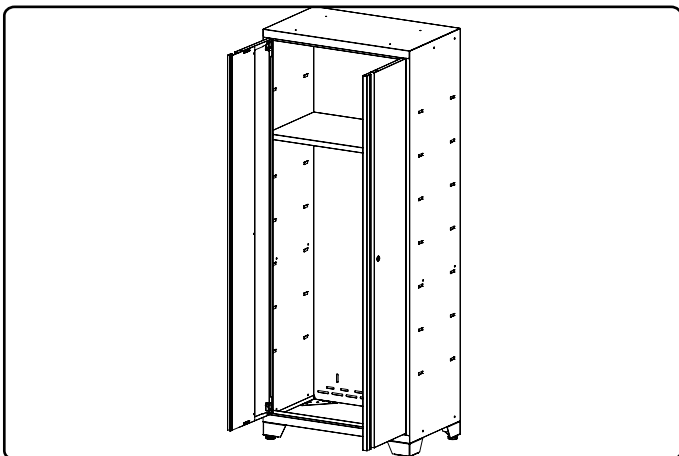
**1** Stand cabinet up.



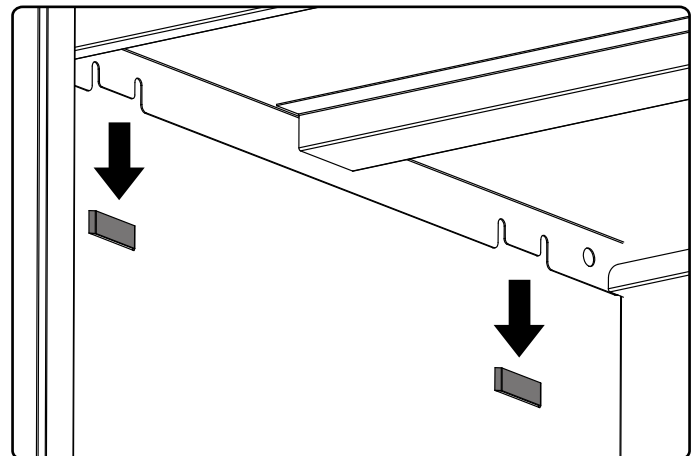
**2** Insert shelf at a slight angle.



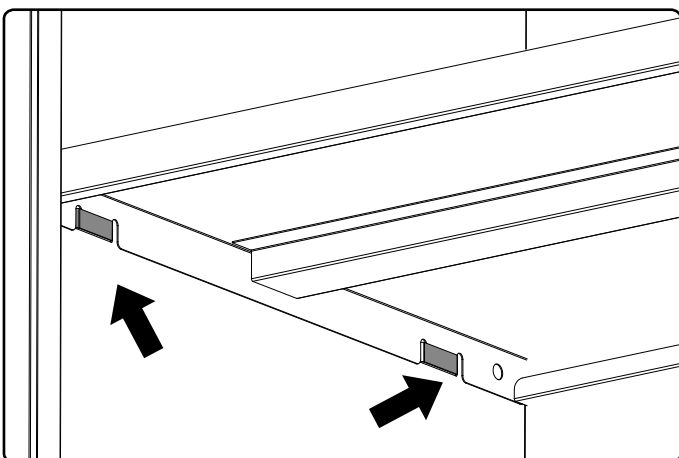
**3** Level shelf.



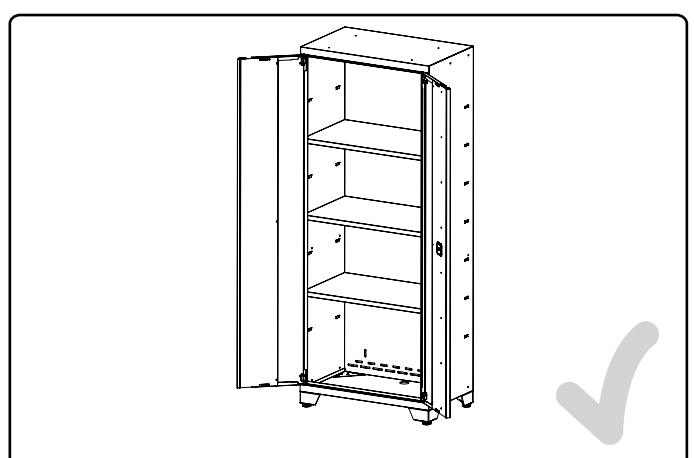
**4** Lower shelf onto brackets by sliding tabs into slots.



**5** Ensure shelf is clipped in position.

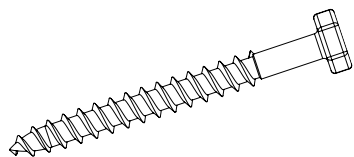


**6** Insert remaining shelves.

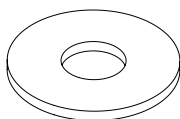


# Mounting Cabinets (Drywall/Studded Wall)

## **i** Parts Required



Wall Screw  
(1/4" x 2.5")



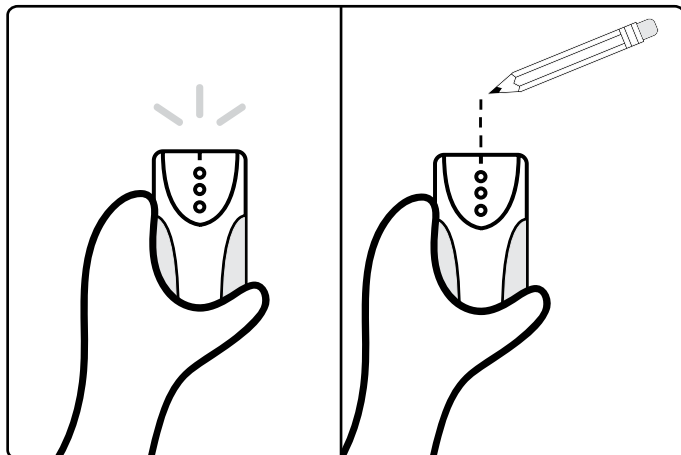
Wall Washer  
(1/4")

**Wall & Locker:** 4 wall screws and 4 washers

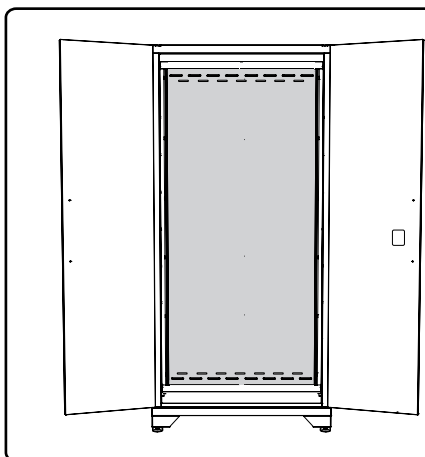
**Corner Wall:** 6 wall screws and 6 washers

**Base & Tool Cabinet:** 2 wall Screws and 2 washers

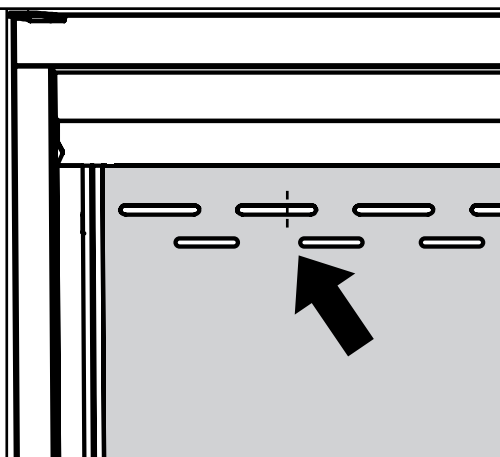
## **1** Use stud finder to locate the studs and mark the wall with a pencil.



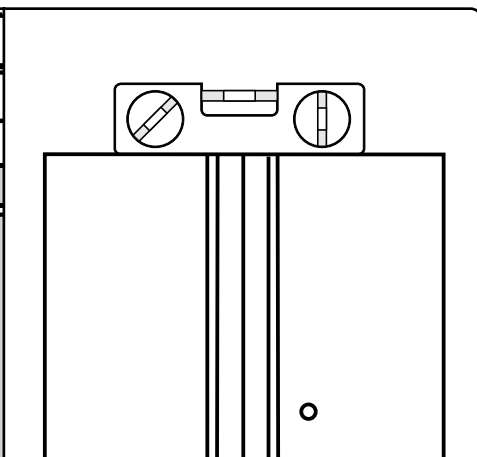
## **2** Place cabinet tight against the wall.



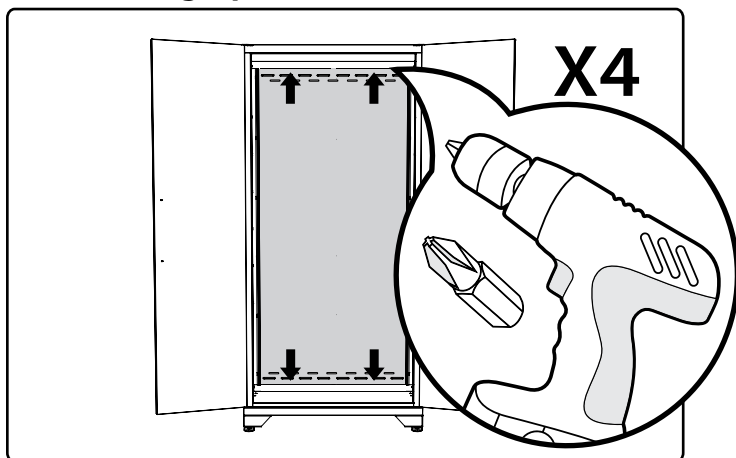
## **3** Align cabinet to stud marks.



## **4** Level cabinet by adjusting feet



## **5** Drill 4 wall screws and washers through perforated holes into studs.



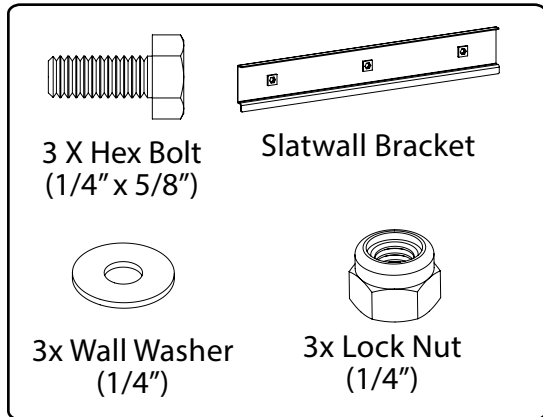
## **i** Masonry.

- Follow steps 2 to 4.
- Drill 4 pilot holes through the perforated strip with hammer drill & masonry bit.
- **Follow Step 5 using:**
- Use 4 x (2 1/4" x 1/4") Tapcon Concrete Anchor into wall. (Not Included)
- **OR** 4 x (#10 x 2") Screw with 3/16" masonry plug into wall. (Not Included)

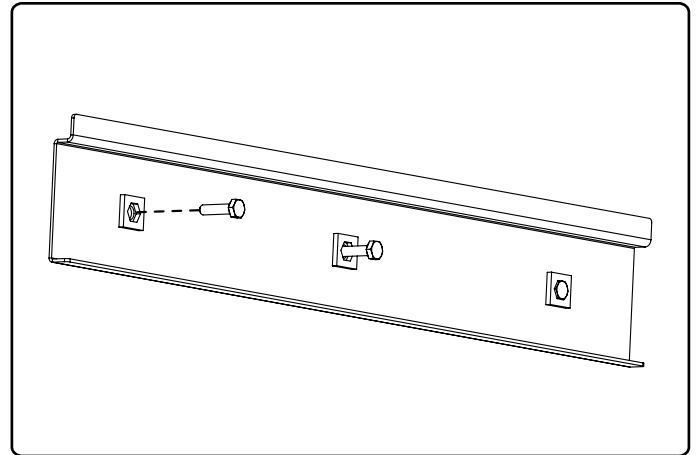
# Hanging Cabinets on Slatwall

**Note: Slatwall Brackets** for use with standard 3" slatwall **Sold Separately**. Check with your slatwall supplier to determine the rated capacity of your slatwall. **DO NOT OVERLOAD**. **NewAge Slatwall Brackets are only compatible with standard 3" on center Slatwall**.

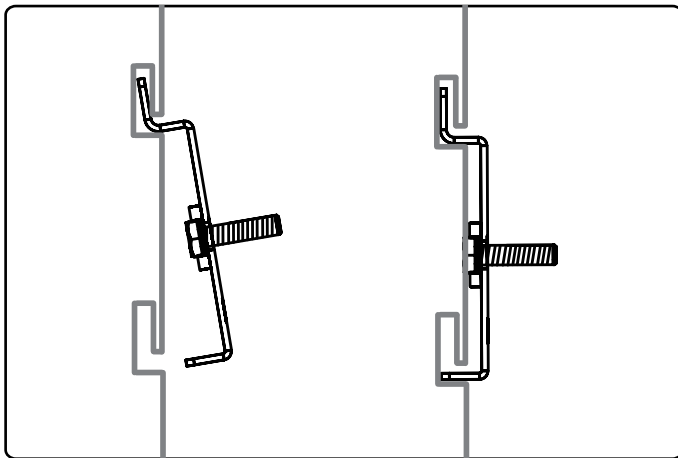
## **i** Parts Needed.



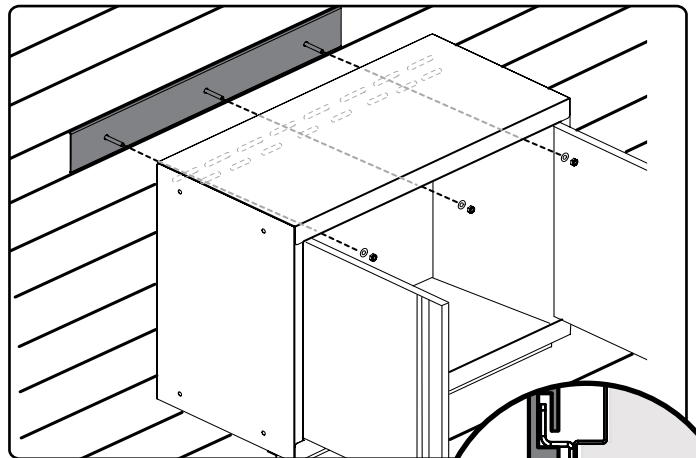
## **1** Insert bolts through slatwall bracket.



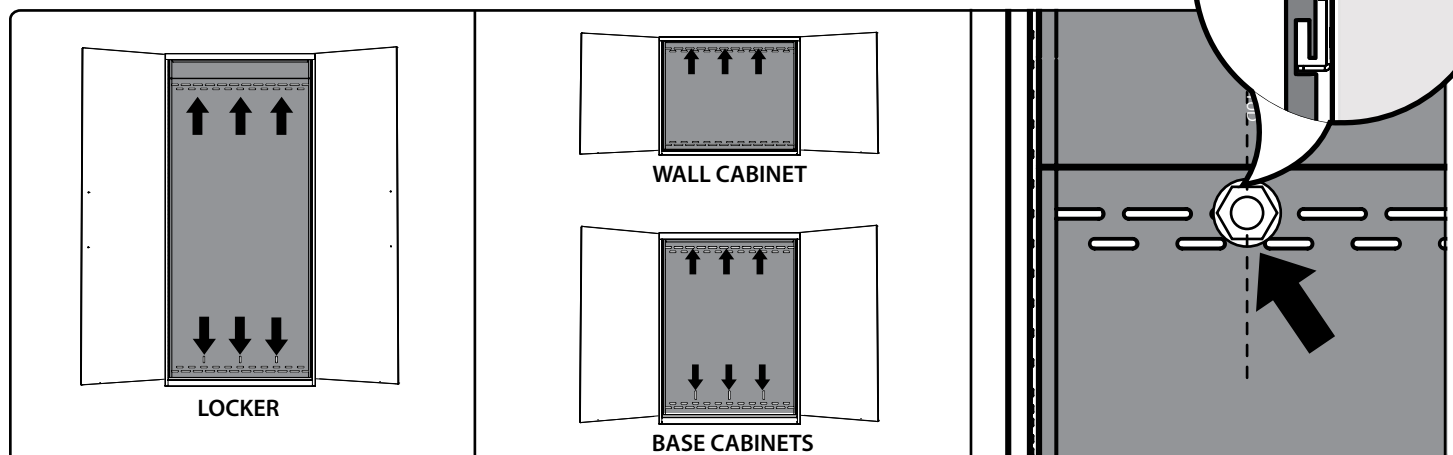
## **2** Attach bracket to slatwall at desired height. For Locker cabinet attach second bracket 65" below first bracket.



## **3** Align bolt with slots on back of cabinet and hang cabinet.



## **4** Using 1/4" drill socket or 1/4" wrench securely tighten lock nuts to each wall bracket from inside cabinet.



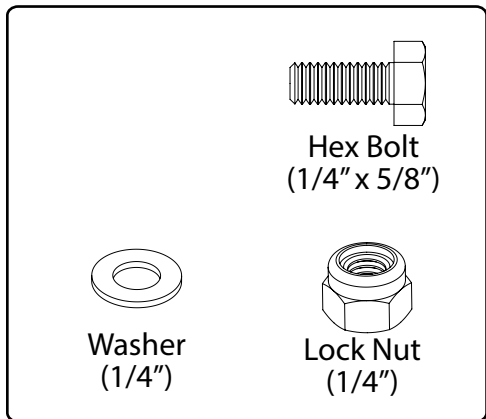
# Fastening Cabinets



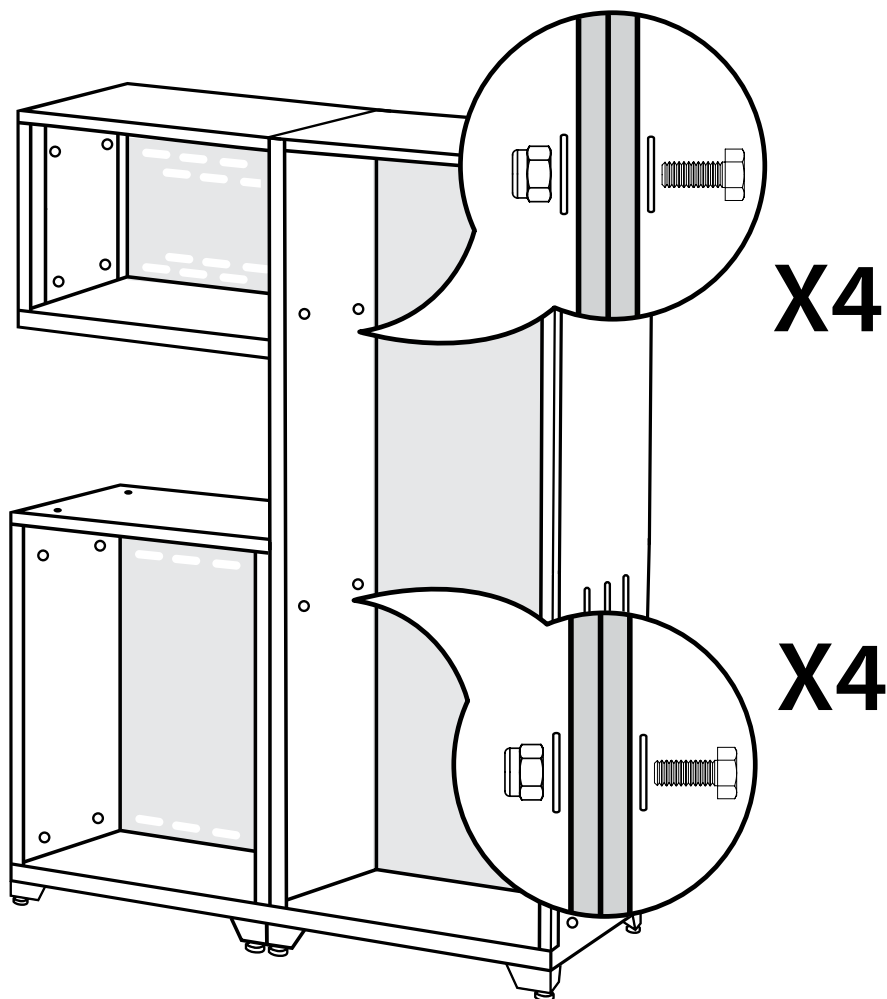
## Note:

Fasten additional cabinets to initial securely mounted cabinet.

## Parts Needed.



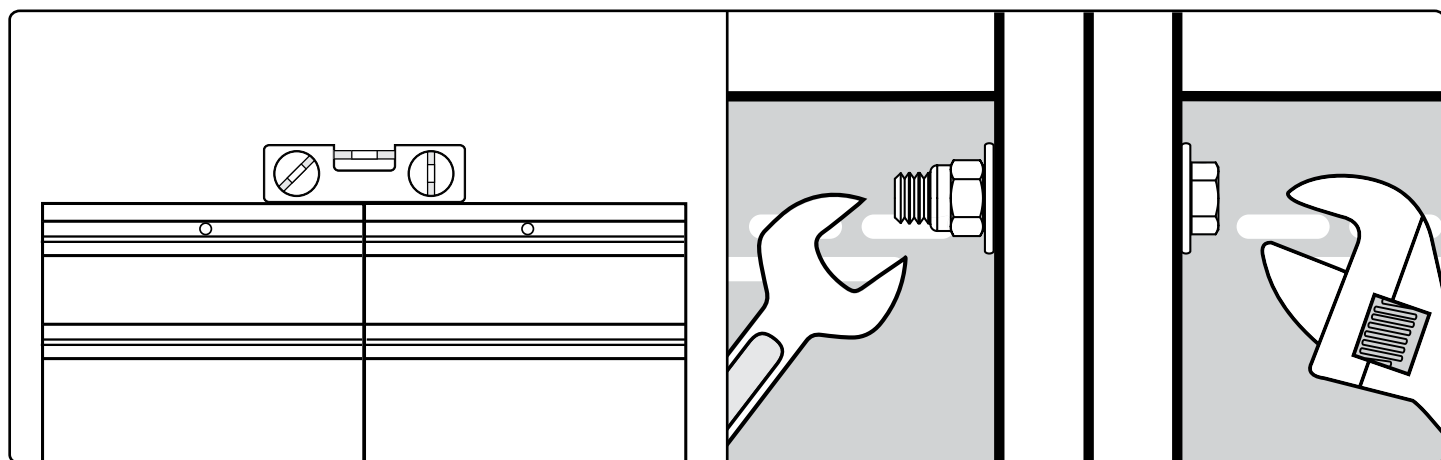
## 1 Align bolts, tighten lightly.



## Note:

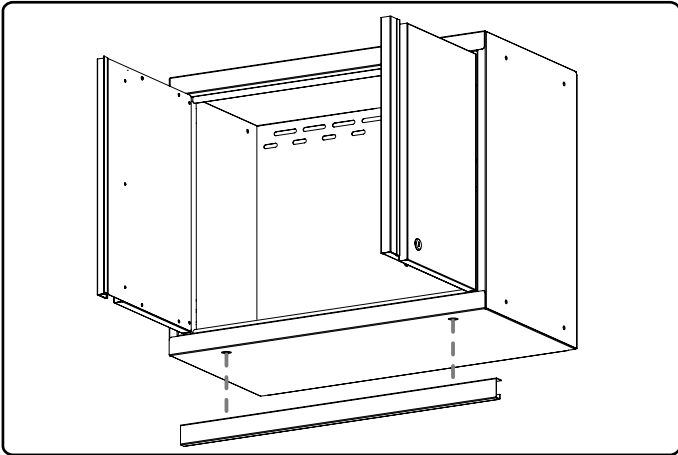
Remove all drawers before fastening cabinets

## 2 Level cabinets and tighten all bolts.

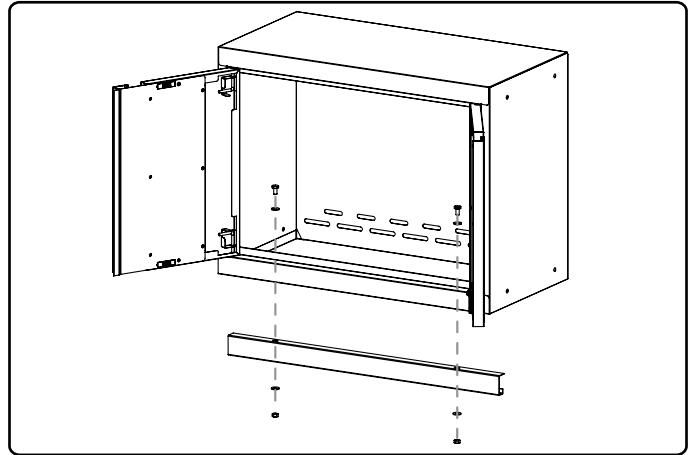


# Attaching Light Valance to Wall Cabinet

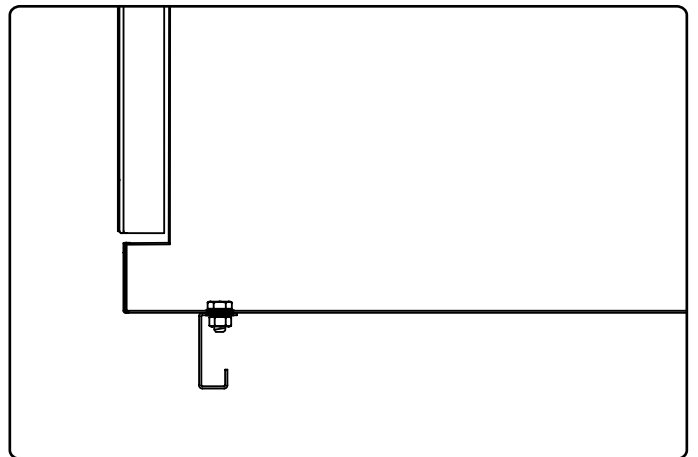
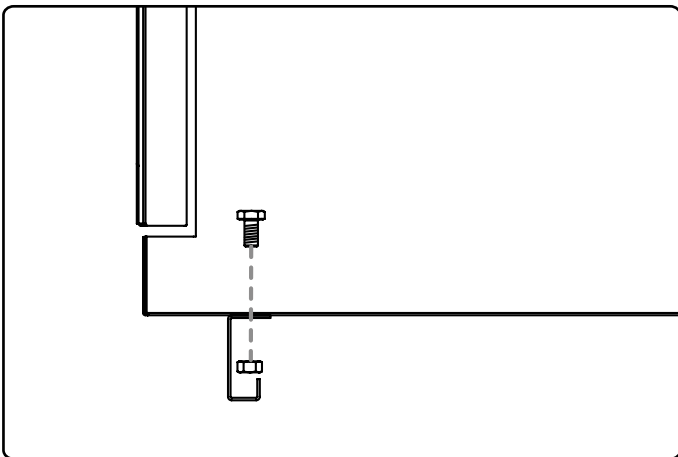
**1** Align holes of valance with cabinet.



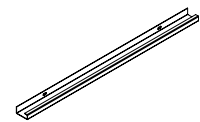
**2** Insert and tighten bolt and nuts.



**3** Cross Section View



**i** Parts Needed.



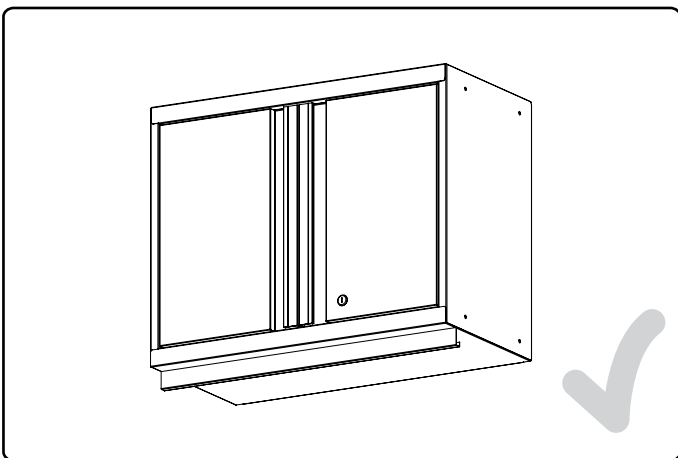
Light Valance



Nut  
(M5)

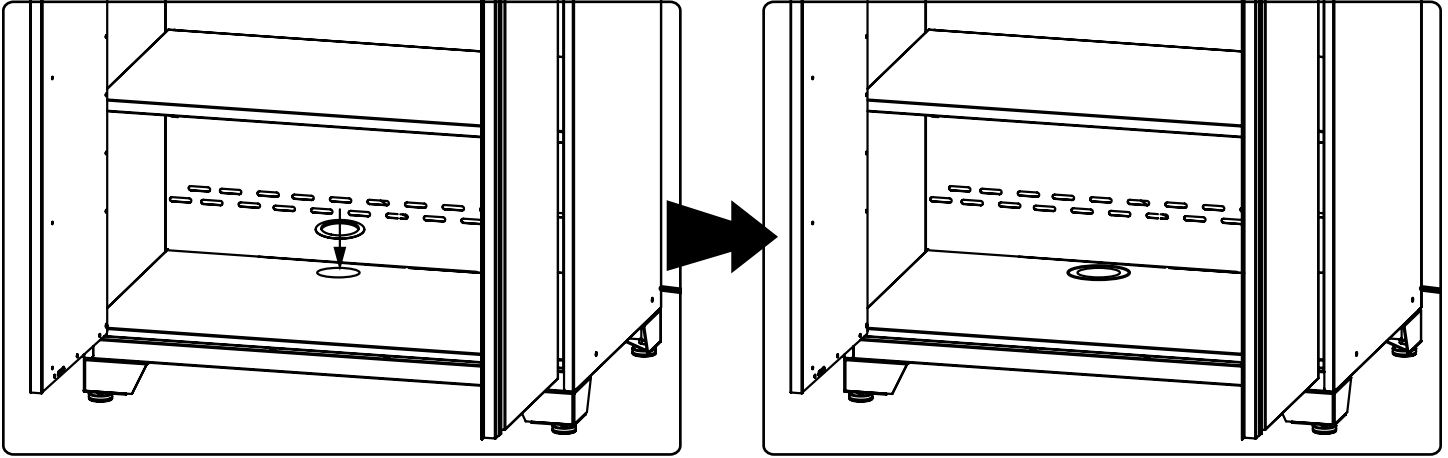


Bolt  
(M5 x 12mm)

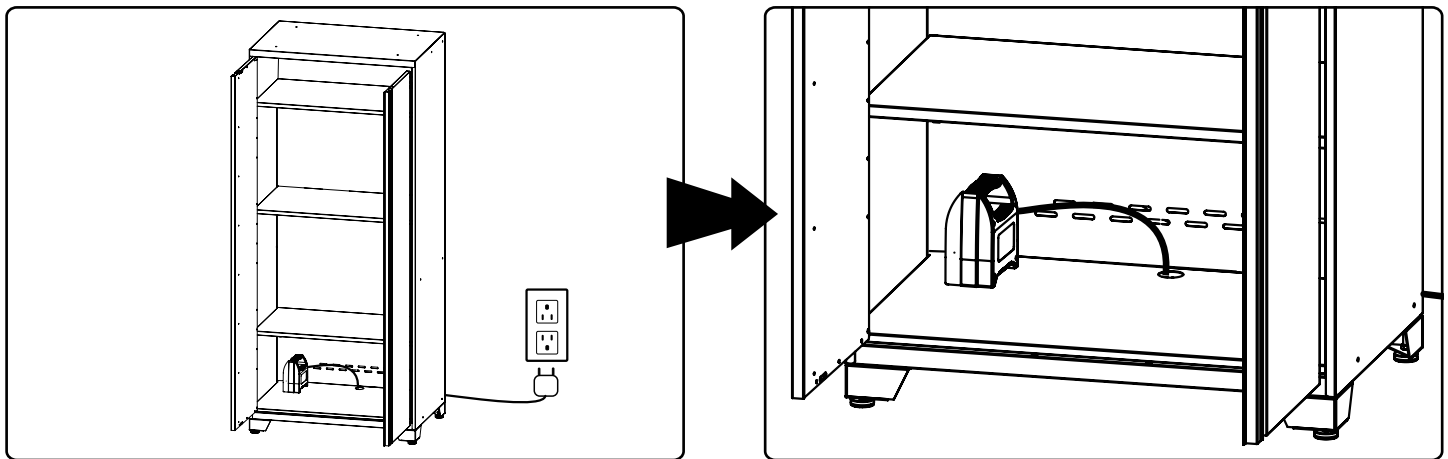


# Utility Access

- 1** Insert rubber grommet into cut-out hole in bottom panel.



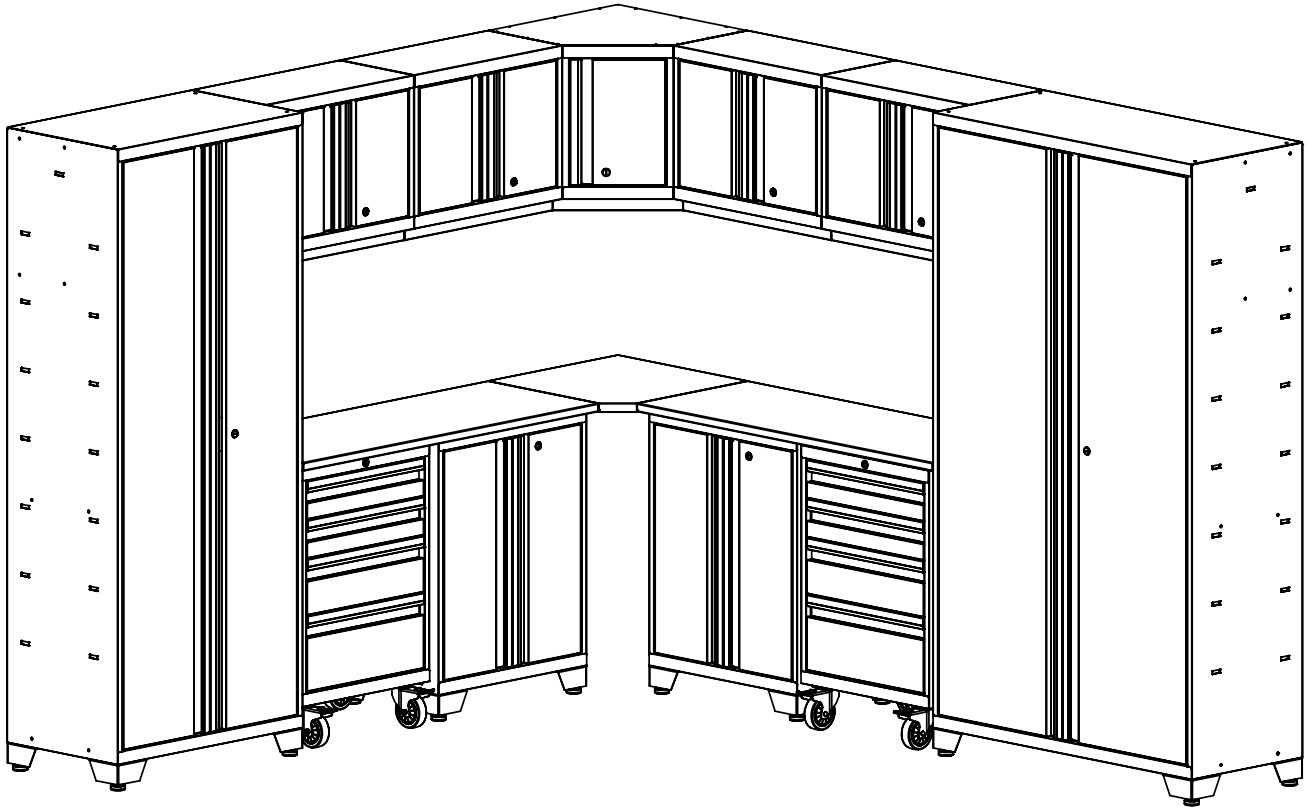
- 2** The utility access hole allows easy connection to power outlet.



**Thank you for purchasing a NewAge Product!**

Please give us a call or visit online if you have any questions.

Call 1.877.306.8930; e-mail at [info@newageproducts.com](mailto:info@newageproducts.com)



# Ébénisterie Série Bold 3.0

## GUIDE D'INSTALLATION



### **AVERTISSEMENT: RISQUE DE POIDS EXCESSIF!**

Déplacer, assembler ou installer les armoires et armoires-vestiaires avec l'aide de deux personnes ou plus. Dans le cas contraire, il pourrait en découler des blessures au dos ou autre. Ne pas laisser les enfants sans surveillance près des armoires. Risque élevé de basculement si les armoires ne sont pas installées correctement : Fixer solidement les armoires au mur pour éviter des blessures graves. Pour obtenir de l'aide, composer le 1.877.306.8930; ou envoyer un courriel à l'adresse [info@newageproducts.com](mailto:info@newageproducts.com).



### **ATTENTION:**

Est votre armoire endommagée?  
Avez vous besoin d'aide ou de pièces de rechange? Contactez NewAge Products a 1-877-306-8930; ou [support@newageproducts.com](mailto:support@newageproducts.com).  
Ne pas retourner au détaillant.

# Index

<a href="#">NewAge Products Inc. Garantie du Fabricant de la Série Bold</a>	3
<a href="#">Unpacking</a>	4
<a href="#">Outils nécessaires</a>	4
<a href="#">Pièces fournies</a>	5
<a href="#">Plan de travail, Directive and Capacité de poides</a>	6
<a href="#">Entretien et nettoyage</a>	6
<a href="#">Installer des Pieds</a>	7
<a href="#">Installation des roulettes sur une armoire à outils roulante</a>	8
<a href="#">Installer des tiroirs</a>	9
<a href="#">Installer des armoires de coin</a>	10
<a href="#">l'empilement des armoires</a>	11
<a href="#">Installer du palier de support latéral du plan de travail</a>	12
<a href="#">Montage du plan de travail (sur 2 armoires)</a>	13
<a href="#">Montage du ventilateur sur des casiers étendus (en option)</a>	14
<a href="#">Insertion des étagères d'armoire</a>	16
<a href="#">Assemblage des armoires (cloison sèche et mur de goujon)</a>	17
<a href="#">Armoires suspendues sur Slatwall</a>	18
<a href="#">Fixation Des Armoires Ensemble</a>	19
<a href="#">Fixation de la cantonnière de lumière aux armoires murales</a>	20
<a href="#">Trous d'accèss</a>	21

# NEWAGE PRODUCTS INC. GARANTIE DU FABRICANT DE LA SÉRIE BOLD

## UNE PREUVE D'ACHAT EST REQUISE POUR OBTENIR UN SERVICE DE GARANTIE.

Veillez disposer des informations suivantes lorsque vous appelez notre service clientèle:

- Nom, adresse et numéro de téléphone
- Nom du produit / numéro de SKU
- Une description claire et détaillée du problème
- Preuve d'achat avec numéro de commande

### Enregistrez votre achat de produits NewAge en ligne pour l'assistance aux clients et l'accès à des avantages exclusifs

Visitez [www.newageproducts.com/register/](http://www.newageproducts.com/register/)

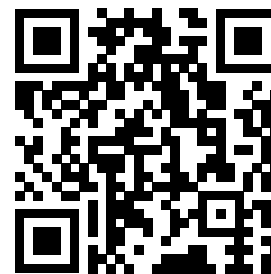
### Réclamations de garantie

Pour le service de garantie, veuillez contacter NewAge Products au 1-877-306-8930; ou [support@newageproducts.com](mailto:support@newageproducts.com)

Veillez consulter tous les détails de la garantie ci-dessous, avant de contacter NewAge Products pour une réclamation.

Scannez le code QR à droite pour accéder à notre page d'assistance ou

visitez [www.newageproducts.com/contact-us/](http://www.newageproducts.com/contact-us/)



Scannez ce code QR avec l'appareil photo sur votre appareil mobile pour visiter le Centre d'assistance des produits NewAge [www.newageproducts.com/support-hub/](http://www.newageproducts.com/support-hub/)

## GARANTIE LIMITÉE À VIE

### CE QUI EST COUVERT

Lorsque ce produit est installé, utilisé et entretenu conformément aux instructions jointes ou fournies avec le produit, NewAge Products Inc. remplacera le produit ou les pièces défectueuses si la pièce tombe en panne en raison de matériaux défectueux ou de fabrication pendant la durée de la garantie à partir du date d'achat du produit.

### CE QUI N'EST PAS COUVERT

1. Les appels de service pour corriger l'installation de tout produit NewAge ou pour vous montrer comment les utiliser ou les installer.
2. Les dommages résultant de produits causés par un accident, une utilisation abusive, un abus, un incendie, une inondation, une installation incorrecte, un cas de force majeure, une négligence, une modification ou une mauvaise manipulation.
3. Les produits endommagés en raison d'une charge supérieure au poids maximum précisé dans les instructions fournies avec le produit.
4. Les réparations ou le remplacement lorsque votre produit est utilisé pour un usage autre que résidentiel normal, comme un milieu commercial, ou portatif d'une manière incohérente avec les instructions d'installation.
5. Les dommages cosmétiques, y compris les éraflures, les marques, les entailles ou les fissures dans la peinture qui n'affectent pas la capacité fonctionnelle ou structurelle du produit.
6. Surfaces endommagées en raison d'une mauvaise utilisation de produits chimiques et de détergents.
7. Les pièces de rechange pour des produits NewAge à l'extérieur du Canada et des États-Unis.
8. Une perte en raison d'un vol.
9. Les dommages résultant d'une utilisation contraire du produit et non conforme au manuel d'instructions.
10. Tous les frais de main-d'œuvre pendant la période de garantie.
11. Les clés ou mécanismes de verrouillage de rechange.

### EXCLUSION DE GARANTIES IMPLICITES

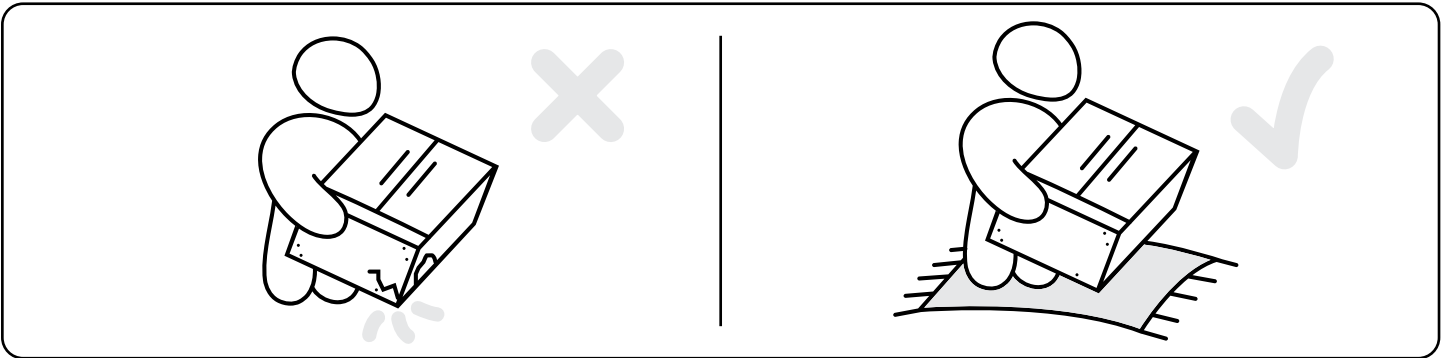
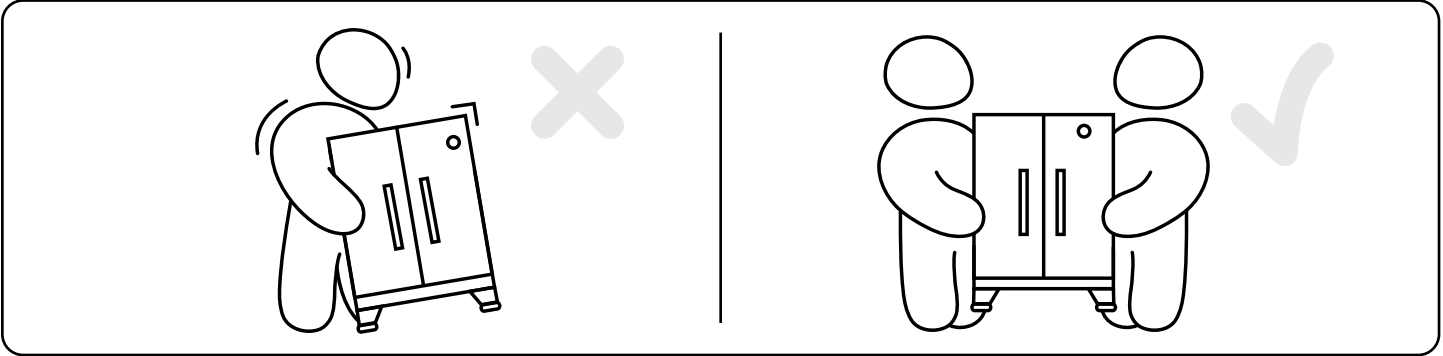
LES GARANTIES IMPLICITES, Y COMPRIS, DANS LA MESURE OÙ CELA EST APPLICABLE, LES GARANTIES DE QUALITÉ MARCHANDE OU DE CONFORMITÉ À UN USAGE PARTICULIER, SONT EXCLUES DANS LA LIMITE OÙ LA LOI LE PERMET. TOUTE GARANTIE IMPLICITE QUI POURRAIT ÊTRE IMPOSÉE PAR LA LOI DOIT SE LIMITER À UN AN, OU À LA PÉRIODE LA PLUS COURTE PERMISE PAR LA LOI. CETTE GARANTIE EST LIMITÉE À L'ACHETEUR ORIGINAL. Certains états et provinces n'autorisent pas les limitations de durée des garanties implicites de qualité marchande ou d'adéquation, de sorte que cette limitation peut ne pas s'appliquer à vous. Cette garantie vous donne des droits légaux spécifiques, et vous pouvez également avoir d'autres droits qui varient d'un état à l'autre ou d'une province à l'autre.

### LIMITATION DES RECOURS; EXCLUSION DES DOMMAGES ACCESSOIRES ET CONSÉCUTIFS

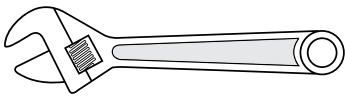
VOTRE SEUL ET EXCLUSIF RECOURS EN VERTU DE CETTE GARANTIE LIMITÉE SERA LA RÉPARATION OU LE REMPLACEMENT DU PRODUIT À NOTRE DISCRÉTION COMME PRÉVU ICI. NEWAGE NE SERA PAS RESPONSABLE DES DOMMAGES ACCESSOIRES OU INDIRECTS. Certains états et provinces n'autorisent pas l'exclusion ou la limitation des dommages accessoires ou consécutifs, de sorte que ces limitations et exclusions peuvent ne pas s'appliquer à vous. Cette garantie vous donne des droits légaux spécifiques, et vous pouvez également avoir d'autres droits qui varient d'un état à l'autre ou d'une province à l'autre.

# Déballage

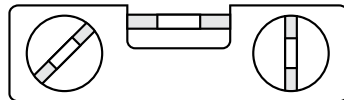
- Commencer par placer la boîte sur une surface plate recouverte.
- Retirer tout le carton, le matériel d'emballage en mousse et les sacs en plastique transparent.
- Mettre au rebus ou recycler tous les matériaux d'emballage.
- Vérifier tout le contenu de la boîte et rassembler les outils nécessaires. Voir Pièces fournies et Outils nécessaires ci-dessous.



## Outils nécessaires



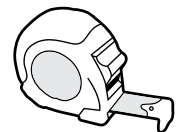
1 x clé ajustable



1 x vérin magnétique de 12 po



1 x localisateur de montants



1 x ruban à mesurer



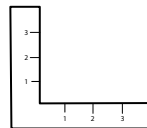
1 x cle a doiuilles de 7/16 po



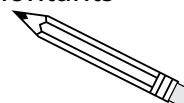
1 x cle a douilles de 8mm



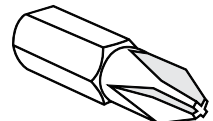
1 x douille de 7/16 po



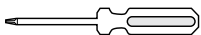
1 x équerre à dessin



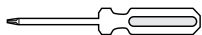
1 x crayon



1 x tournevis Phillips #2



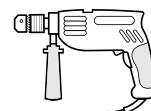
1 x tournevis cruciforme Phillips #2



1 x tournevis cruciforme Phillips #3



1 x perceuse mecanique sans fil



1 x marteau perforateur

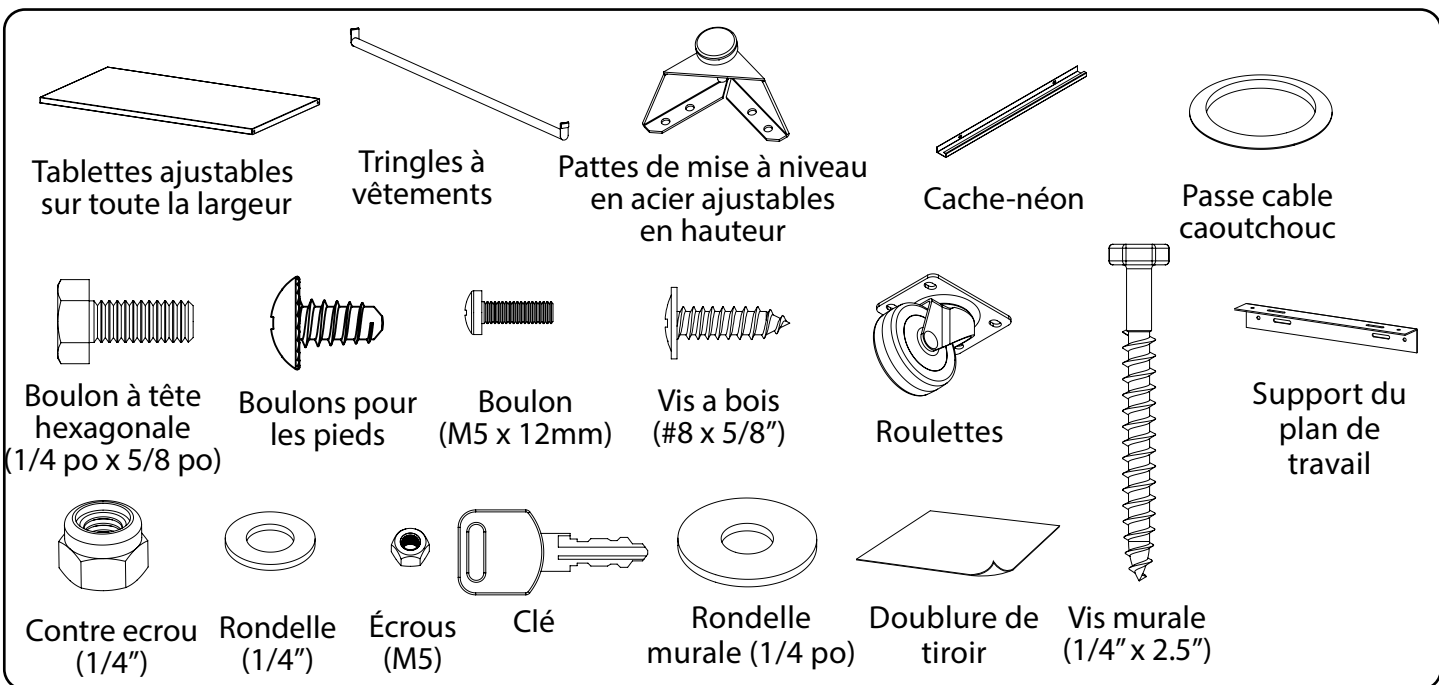


1 x meche à maçonnerie

[facultatif pour la maçonnerie]

# Pièces fournies

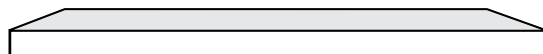
Type	Pièces	Casier de 30 Po	Casier de 42 Po	Mur	Coin De Mur	Armoire De Base	Armoire À Outils Roulante	Cabinet D'Outil	Casiers Étendus De 36 Po	Casiers Étendus De 42 Po
Paquet Contenant les Pièces	Vis à bois (#8 x 5/8 po)	2	2	0	8	4	0	4	2	2
	Rondelle (1/4 po)	22	22	8	8	8	17	8	16	16
	Contre-écrou 1/4 po	8	8	4	0	4	0	4	8	8
	Boulon a tete hexagonale(1/4 po x 5/8 po) tete hexagonale de 7/16 po	4	6	4	8	4	0	4	4	4
	Vis murale de 1/4 "x 2,5"	4	6	4	8	4	0	4	4	6
	Boulon a tete hexagonale(1/4 po x 5/8 po) tete hexagonale de 7/16 po	10	10	4	8	4	17	4	8	8
	Vis pour les pieds	17	17	0	0	17	0	17	17	17
	Clès	2	2	2	2	2	2	2	2	2
	Boulons pour cache-neon	0	0	2	2	0	0	0	0	0
	Ecrous pour cache-neon	0	0	2	2	0	0	0	0	0
Pièces Supplémentaire	Bouchons en plastique	16	16	8	0	0	0	0	16	16
	Pattes de mise à niveau en acier ajustables en hauteur	4	4	0	0	4	0	4	4	4
	Passerelle caoutchouc	1	1	0	0	1	0	0	2	2
Pièces incluses	Roulettes pivotantes de 4 po	0	0	0	0	0	2	0	0	0
	Roulettes fixes de 4 po avec freins	0	0	0	0	0	2	0	0	0
	Tablettes ajustables sur toutes la largeur	3	3	0	0	1	0	0	3	3
	Pattes d'armoires	4	4	0	0	4	0	4	4	4
	Tringles à vêtements	1	1	0	0	0	0	0	1	1
	Doublures de tiroir	0	0	0	0	0	4	4	0	0
	Cache-neon	0	0	1	1	0	0	0	0	0
Logo NewAge	1	1	0	0	0	0	0	1	1	
Support Inclus	Support Latéral	1	1	0	2	0	0	0	1	1



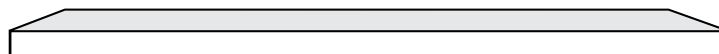
# Plan de travail



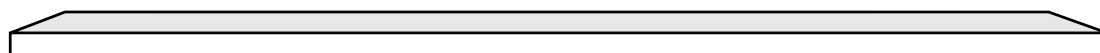
Plan de travail d'angle de 21 po



Plan de travail de 36 po



Plan de travail de 48 po. Convient à 2 armoires



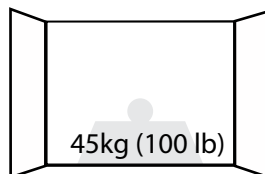
Plan de travail de 72 po. Convient à 3 armoires

# Capacité de poids

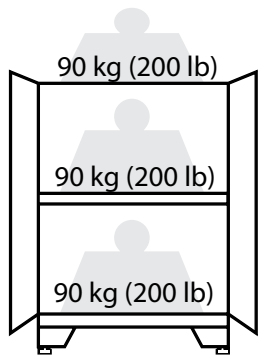
REMARQUE: Les capacités de poids déclarées ne concernent que les plans de travail Newage installés.



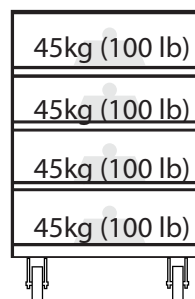
250 lbs par pied.  
800 lbs. par armoires



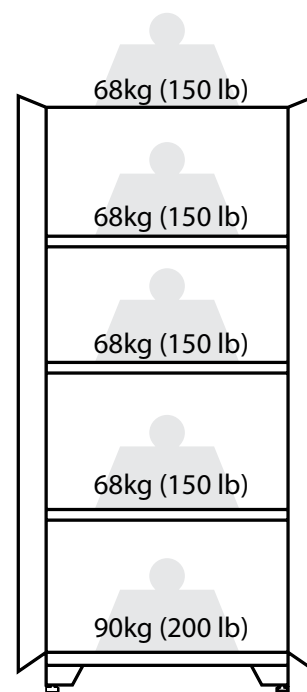
Armoires murales  
Max. 43 kg (100lb)



Armoires de plancher  
Max. 272 kg (600lb)



Armoire à outils roulante  
Max. 145 kg (320lb)



Armoires-vestiaires  
Max. 363 kg (800lb)

## Entretien

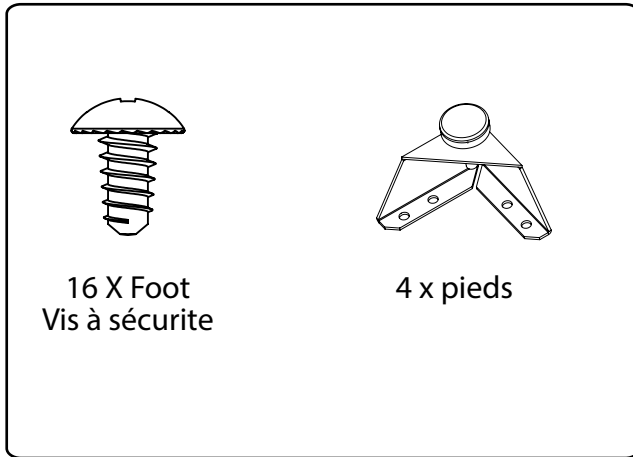
- Lubrifiez les glissières deux fois par an avec un lubrifiant en aérosol ou une huile légère.
- Vérifiez régulièrement le serrage des vis et des écrous. Resserrez-les si nécessaire.

## Entretien et nettoyage

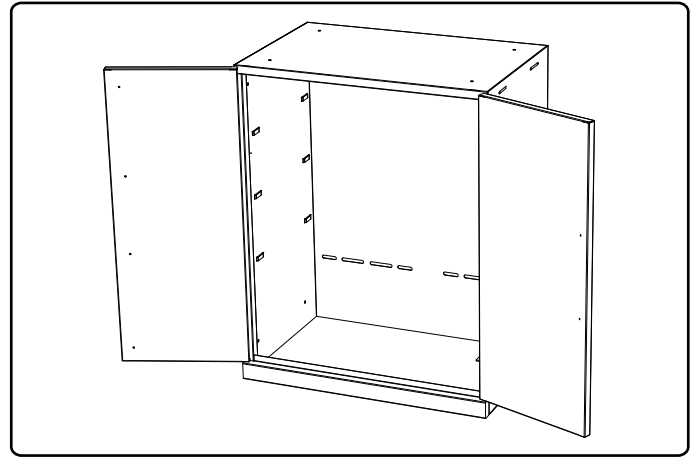
- Nettoyez régulièrement les surfaces du meuble et les tiroirs avec un chiffon doux et de l'eau.
- Éliminez la graisse et l'huile à l'aide de produits de nettoyage courants.

# Installation des pieds

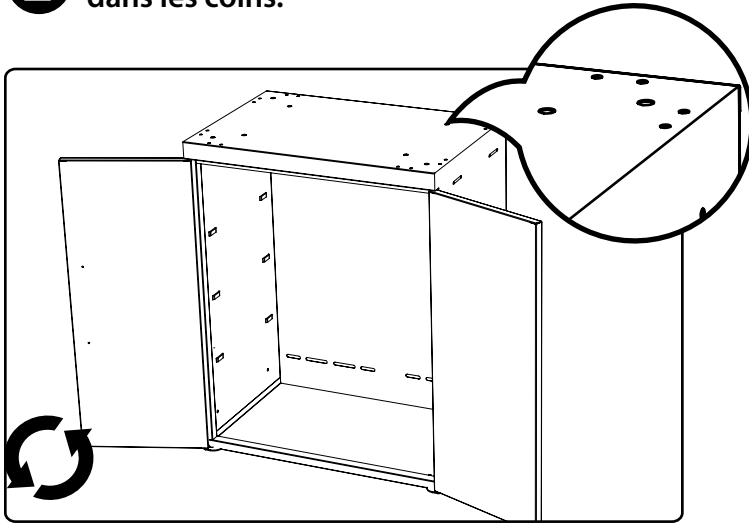
**i** Pièces nécessaires.



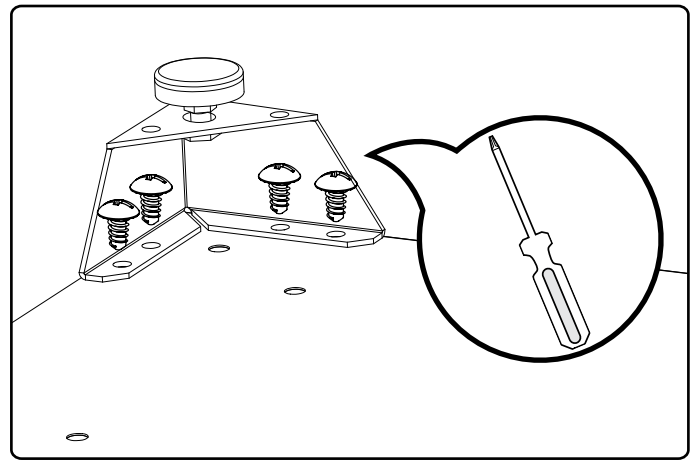
**1** Ouvrir l'armoire et retirer les étagères ou les objets épars.



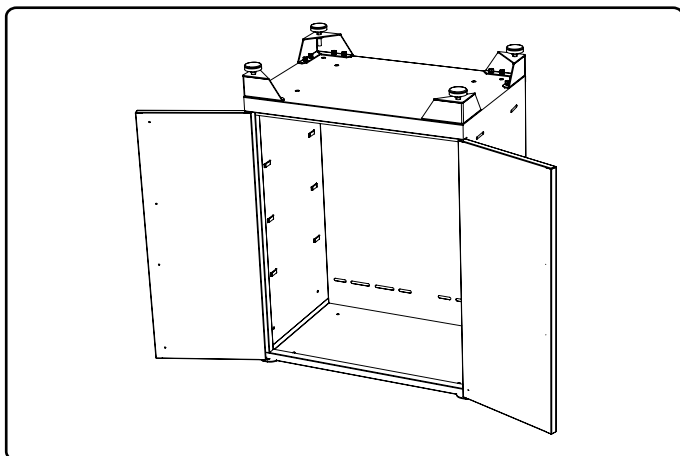
**2** Retourner l'armoire et repérer les trous dans les coins.



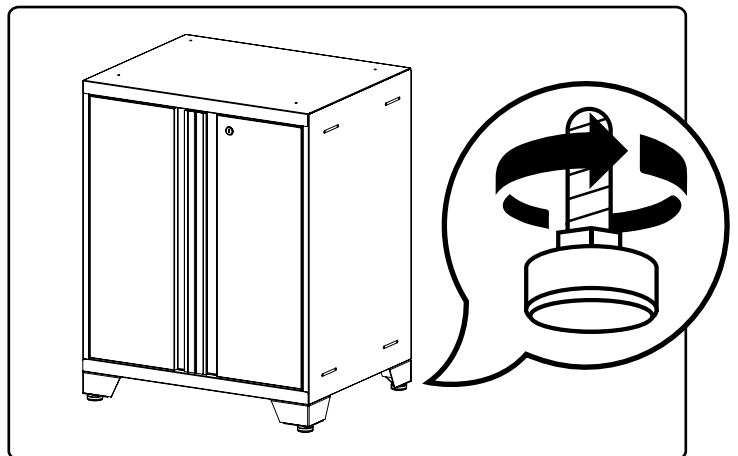
**3** Aligner le pied sur le bord de l'armoire. Visser 4 vis à sécurités dans les trous.



**4** Répéter l'étape 3 pour chaque coin.



**5** Remettre à l'endroit et niveler.

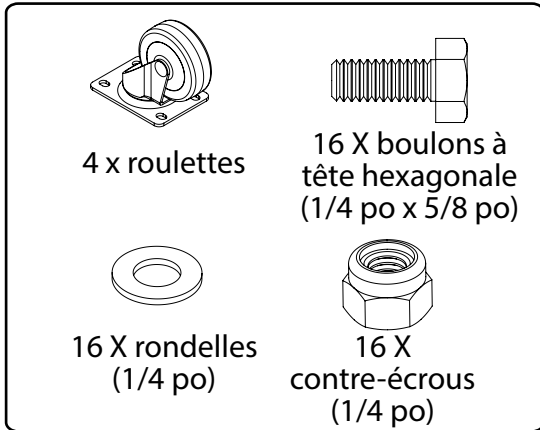


# Installation des roulettes sur une armoire à outils roulante

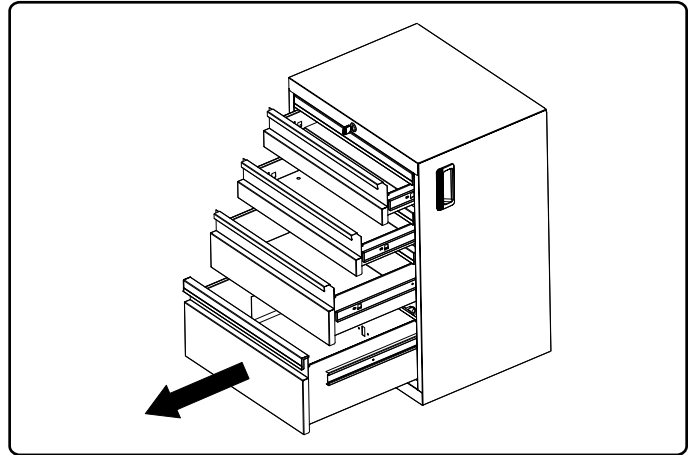
## Remarque :

Les rondelles sont vendues séparément.

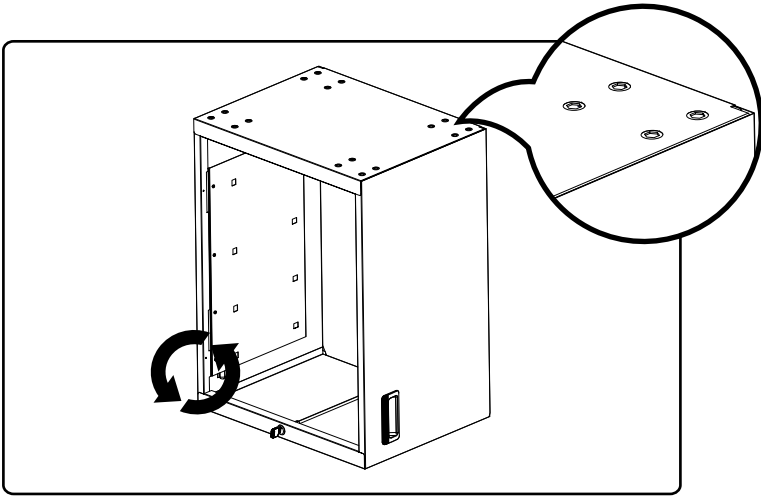
## **i** Pièces nécessaires.



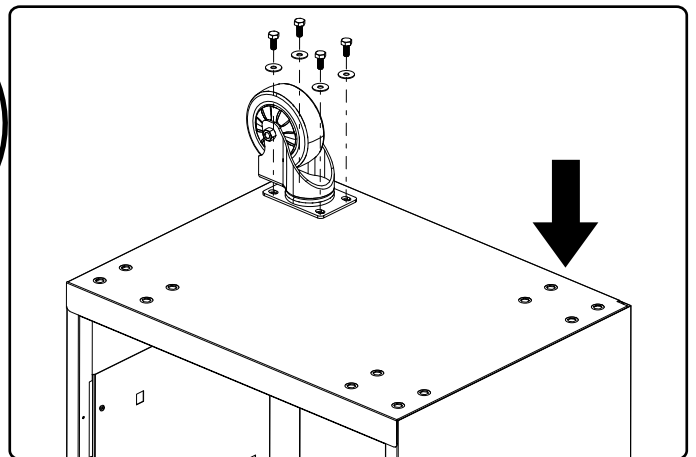
## **1** Retirez tous les tiroirs de l'armoire. Reportez-vous à la page 8.



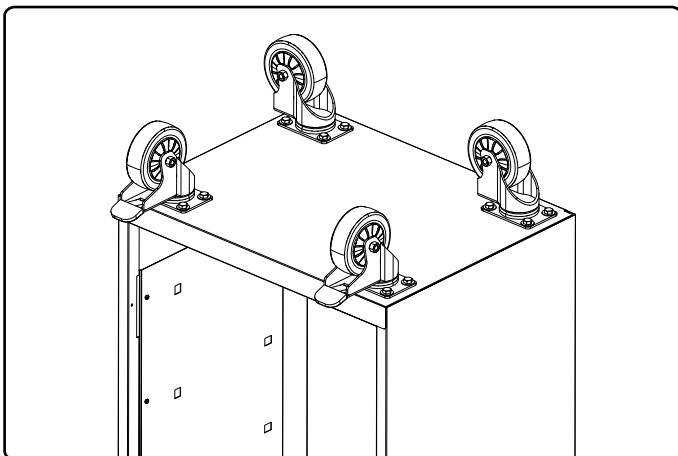
## **2** Retourner l'armoire et repérer les trous formant un carré.



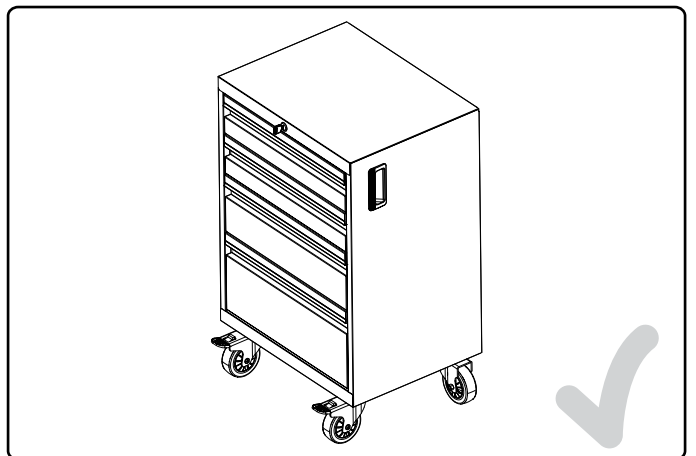
## **3** Aligner le pied sur les trous. Fixer avec les 4 boulons à tête hexagonale de 1/4 po X 5/8 po, les rondelles.



## **4** Répéter l'étape 3 pour chaque coin.

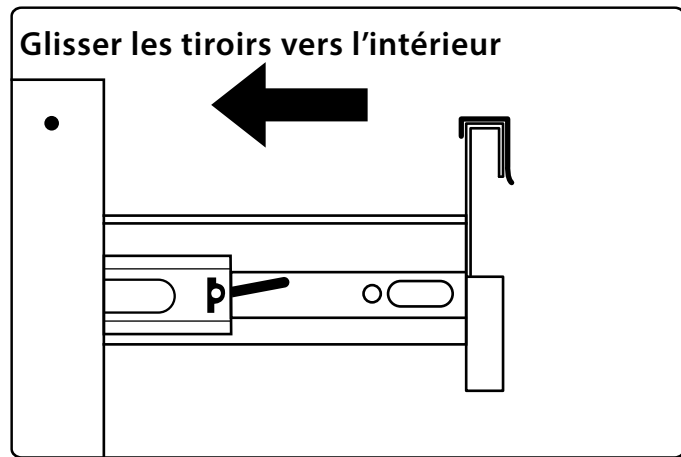
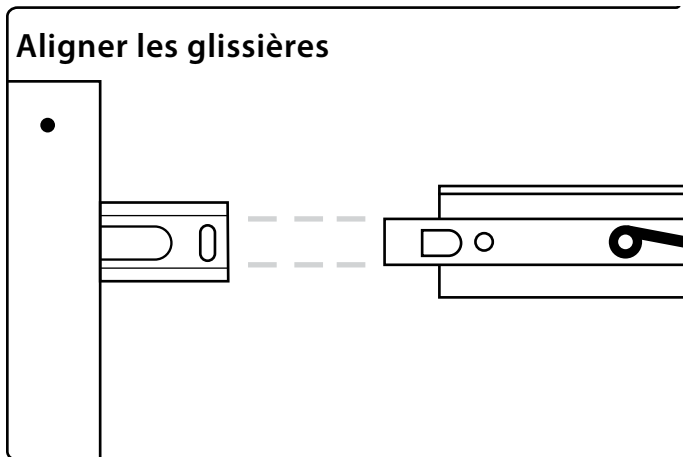


## **5**

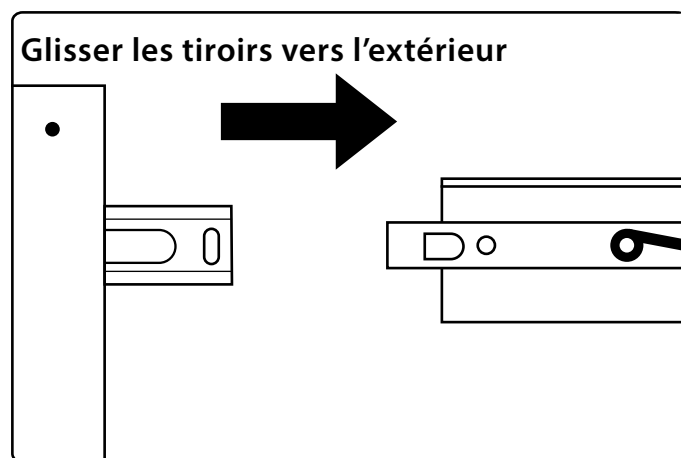
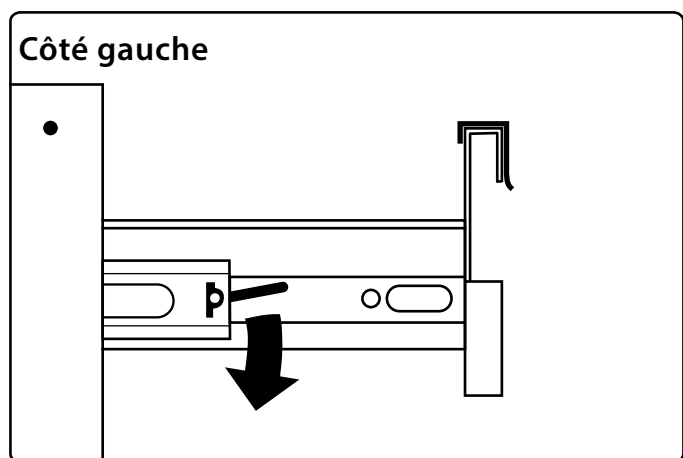
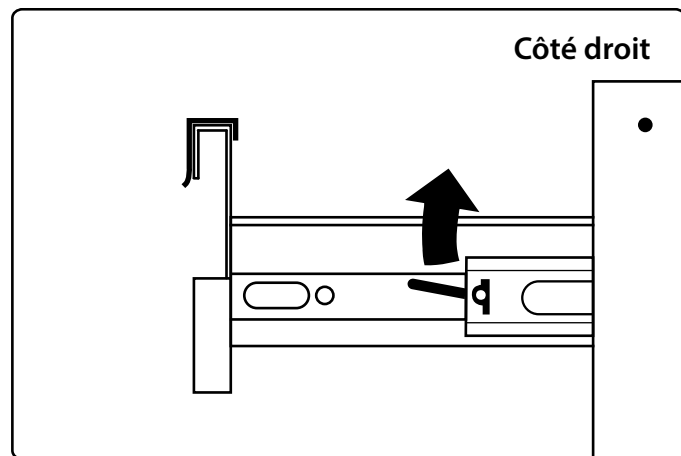
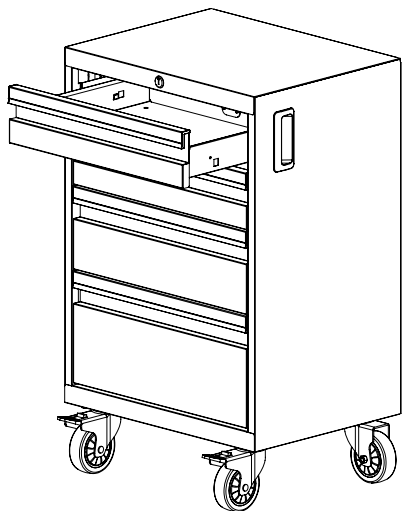


# Installation des tiroirs

## Insertion des tiroirs.



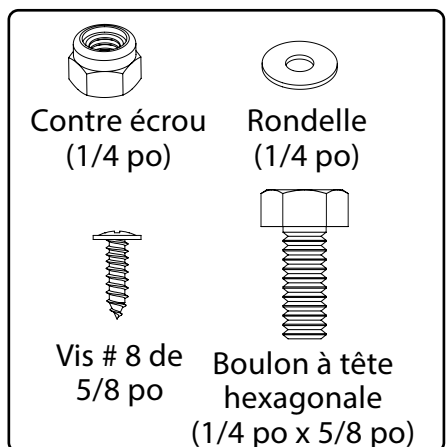
## Enlèvement des tiroirs.



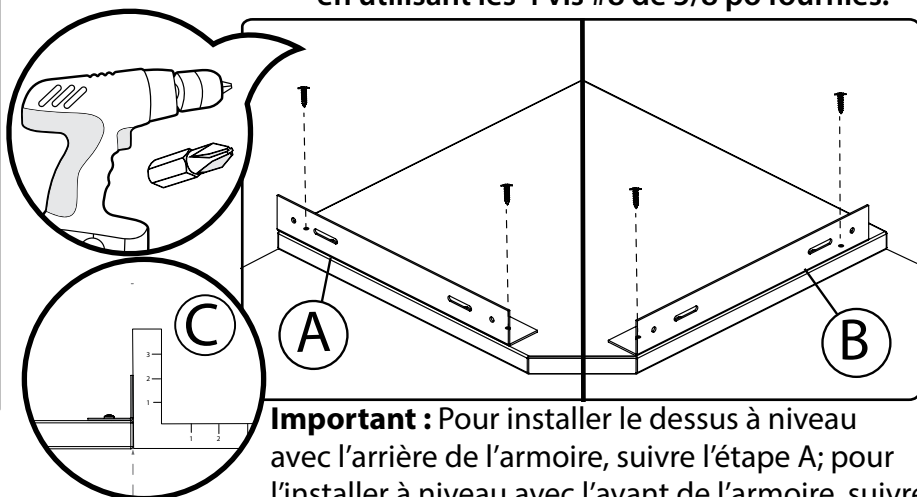
# Installation des armoires de coin

**Remarque :** S'assurer d'avoir suffisamment de place pour l'assemblage. Les armoires ne doivent pas être assemblées près des coins d'armoire pour avoir accès à l'arrière des armoires.

## **i** Pièces nécessaires.

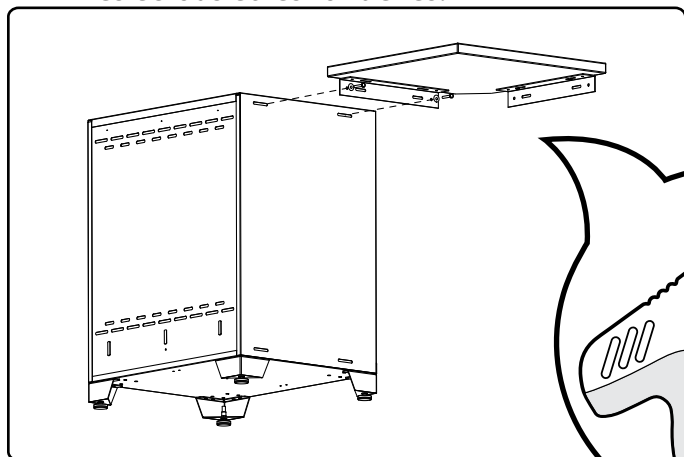


## **1** Sur les bords adjacents, fixer 2 supports à la face intérieure du dessus des coins d'armoire en utilisant les 4 vis #8 de 5/8 po fournies.

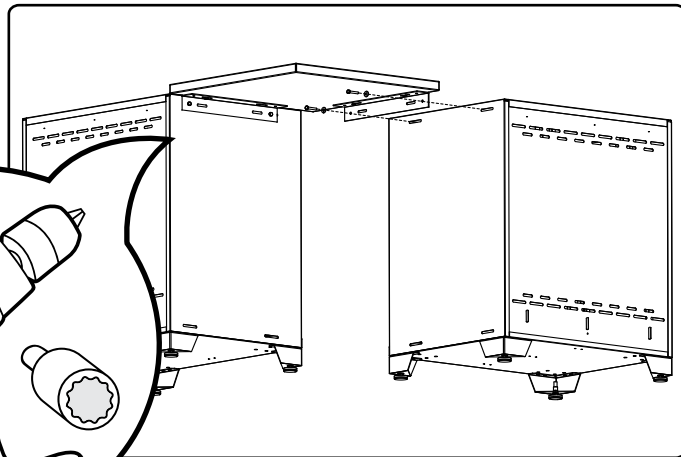


**Important :** Pour installer le dessus à niveau avec l'arrière de l'armoire, suivre l'étape A; pour l'installer à niveau avec l'avant de l'armoire, suivre l'étape B; et pour l'installer à niveau avec le bord, suivre l'étape C.

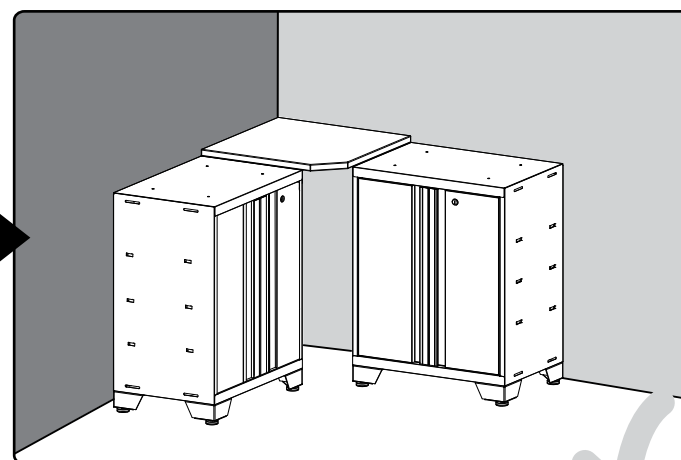
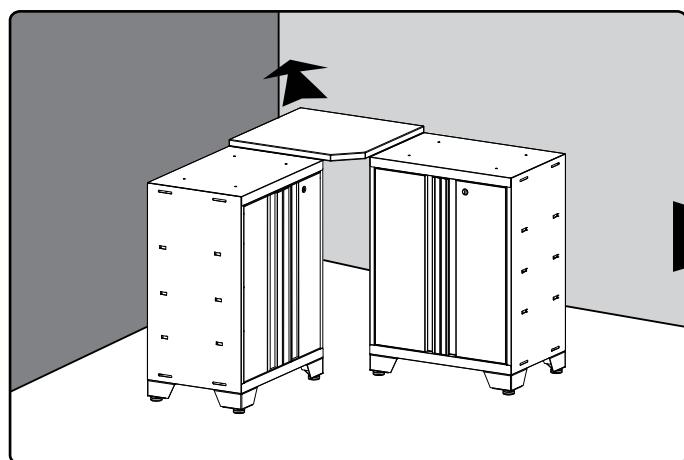
## **2** Fixer le dessus à une armoire en utilisant les boulons à tête hexagonale de 1/4 po x 5/8 po, les écrous et les rondelles.



## **3** Fixer la deuxième armoire à ce dessus.

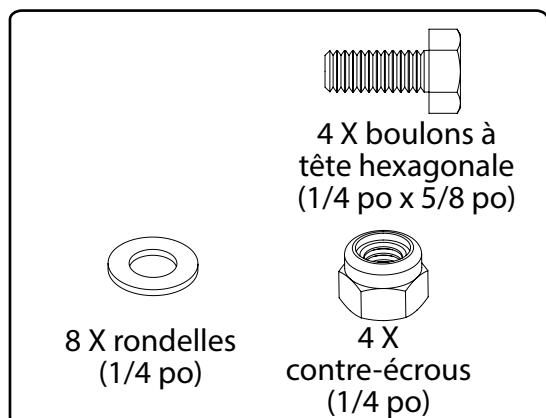


## **4** Faire glisser vers le coin et joindre le reste des armoires.

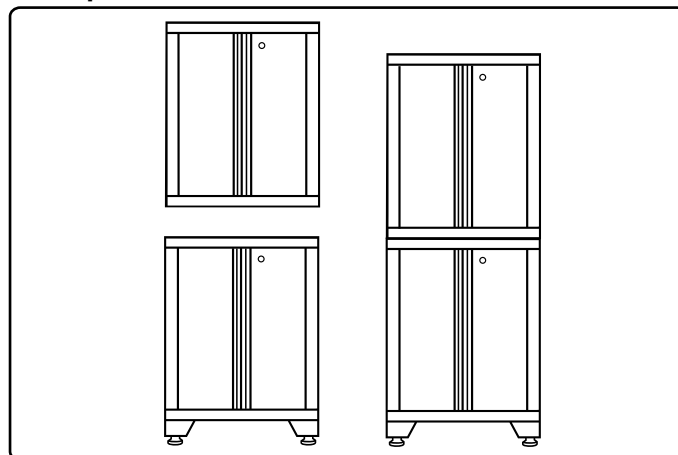


# Emboîtement des armoires

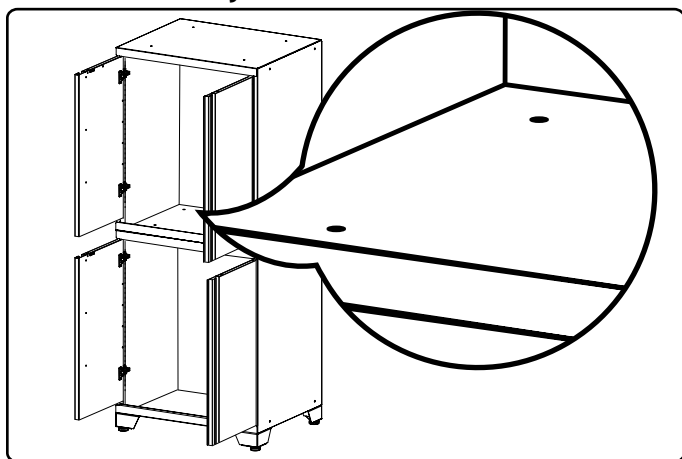
## **i** Pièces nécessaires.



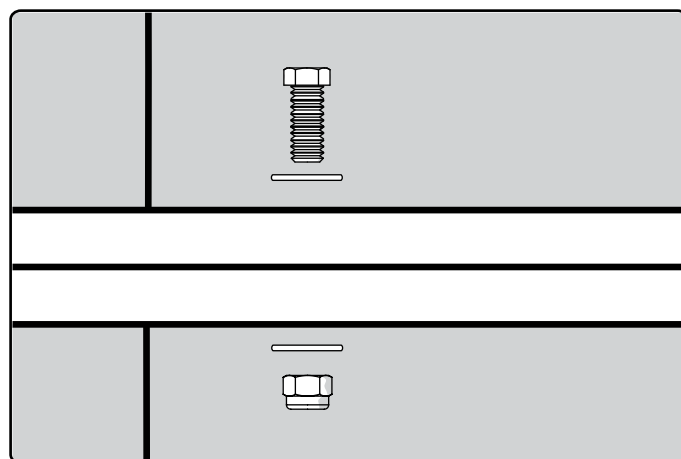
## **1** Positionner une deuxième armoire sur plancher sur le dessus de l'armoire sur plancher existante.



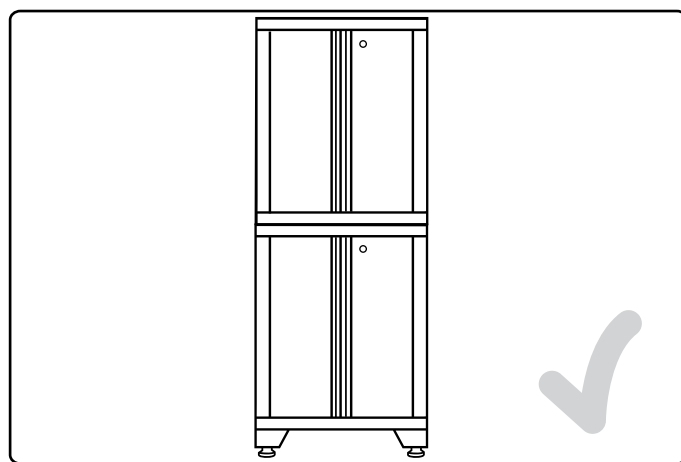
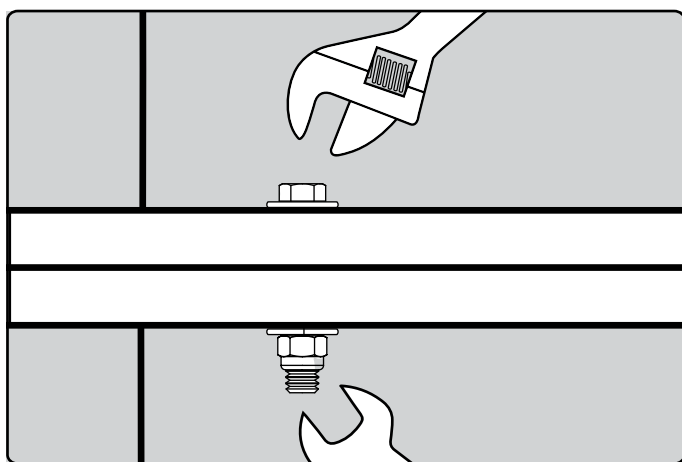
## **2** Repérer les trous prépercés sur la surface adjacente et insérer les boulons.



## **3** Fixer les armoires à l'aide des boulons à tête hexagonale de 1/4 po x 5/8 po, des rondelles et des écrous fournis.



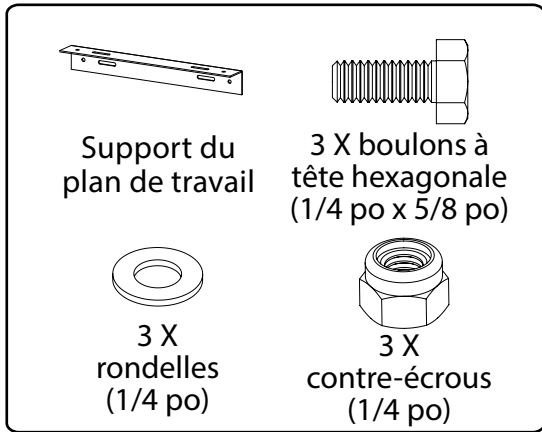
## **4** Serrer tous les boulons.



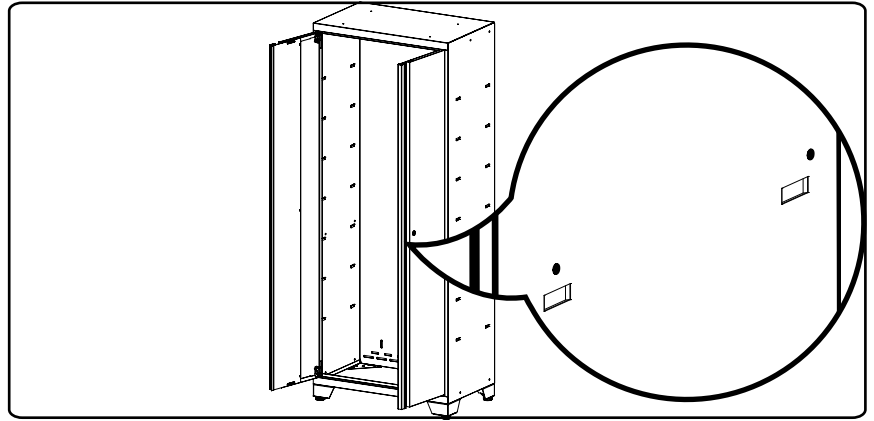
# Installation du palier de support latéral du plan de travail

**Remarque : Le palier de support est vendu séparément.** Un palier de support doit être utilisé si le plan de travail est ajouté à l'ensemble en l'absence d'une deuxième armoire sur plancher/à outils.

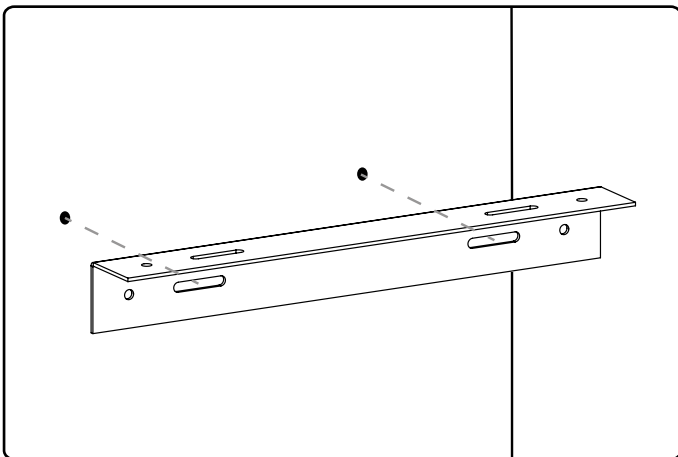
## **i** Pièces nécessaires.



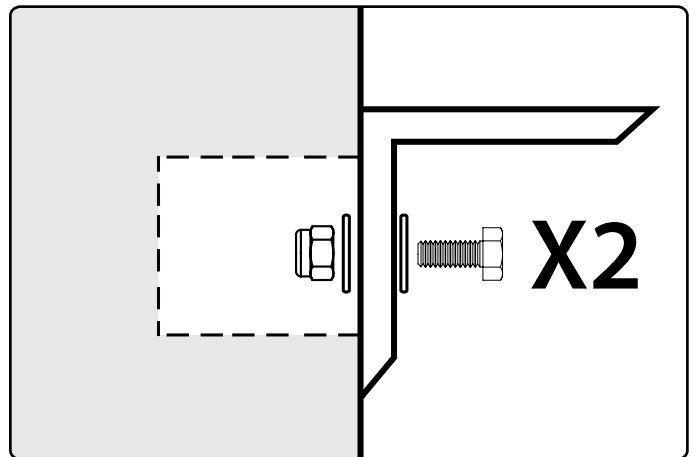
## **1** Ouvrir l'armoire-vestiaire et repérer les trous de chaque côté.



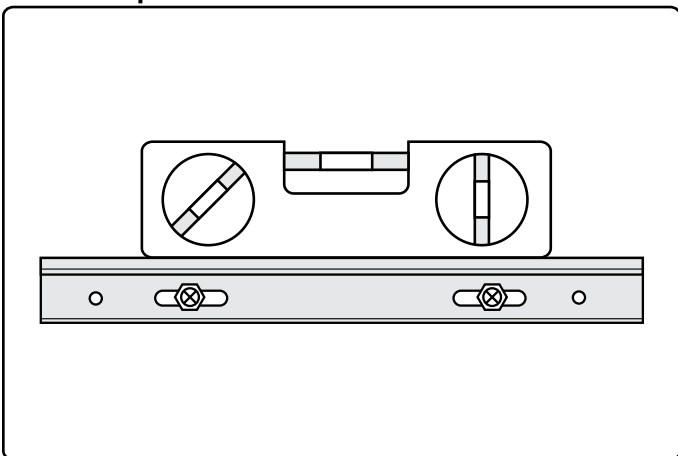
## **2** Aligner le support.



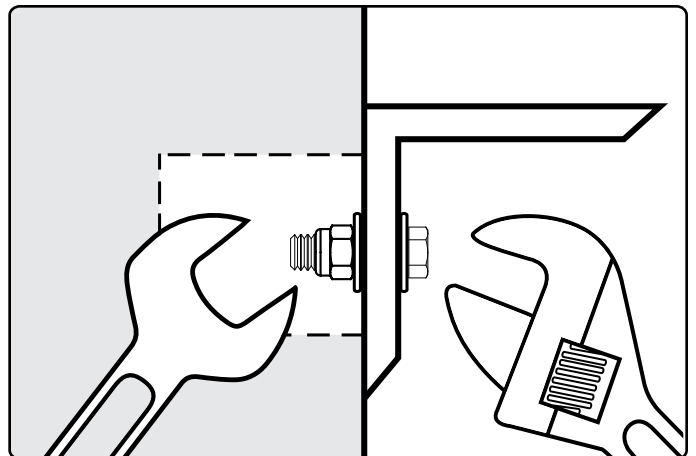
## **3** Serrer les écrous, boulons et rondelles de sécurité.



## **5** Mettre à niveau le support et s'assurer qu'il est à la même hauteur que l'armoire sur plancher.

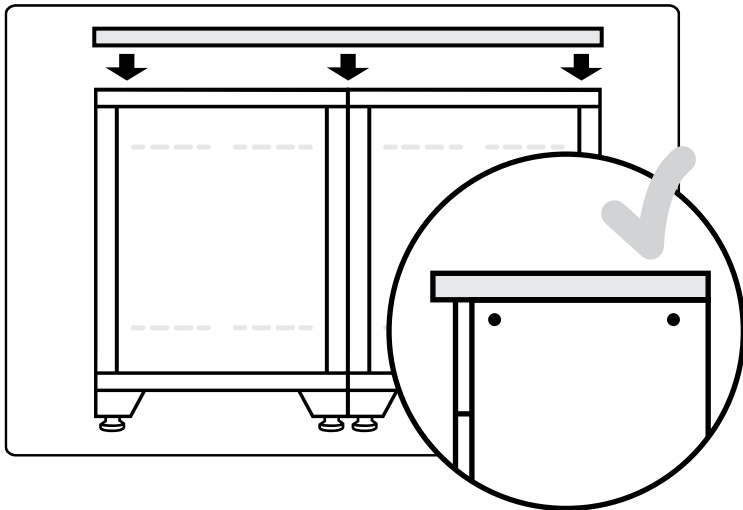


## **4** Serrer les écrous et boulons.

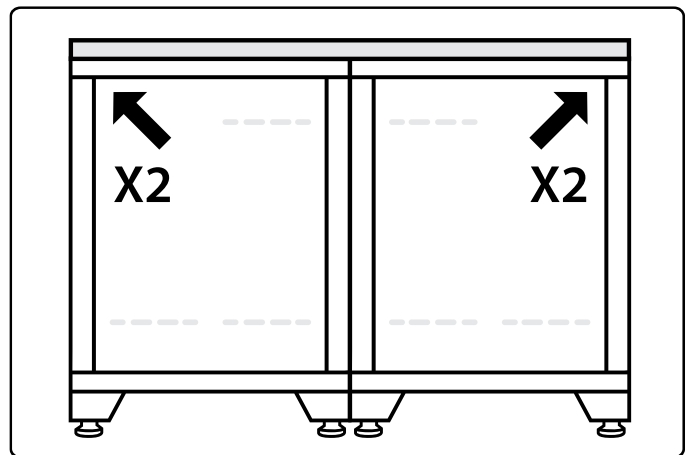


# Montage du plan de travail (sur 2 armoires)

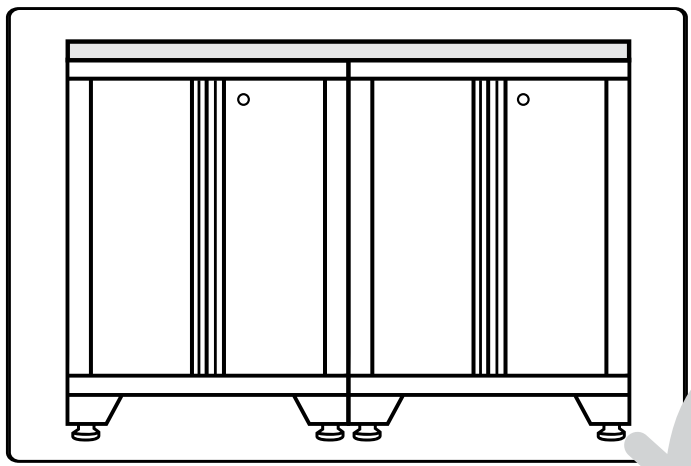
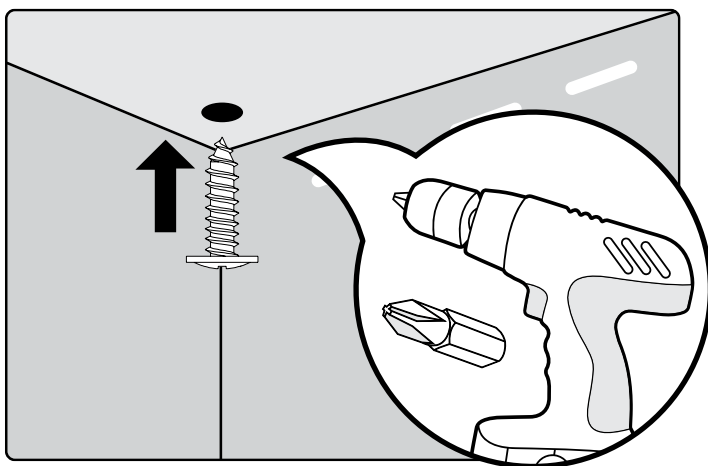
**1** Placer le plan de travail sur les armoires.



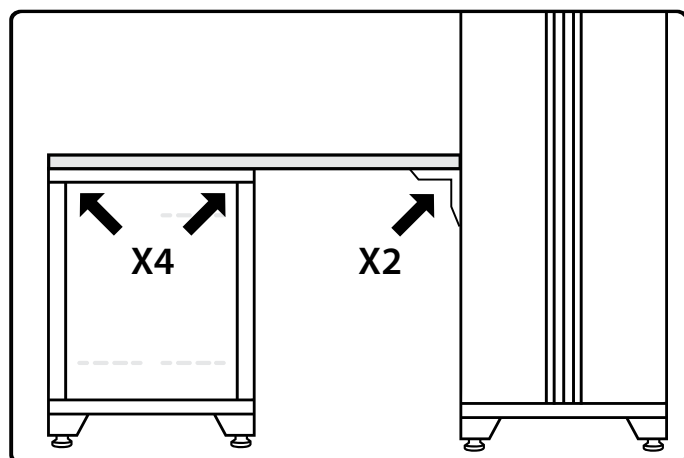
**2** Repérer les 2 trous de fixation des deux côtés des armoires.



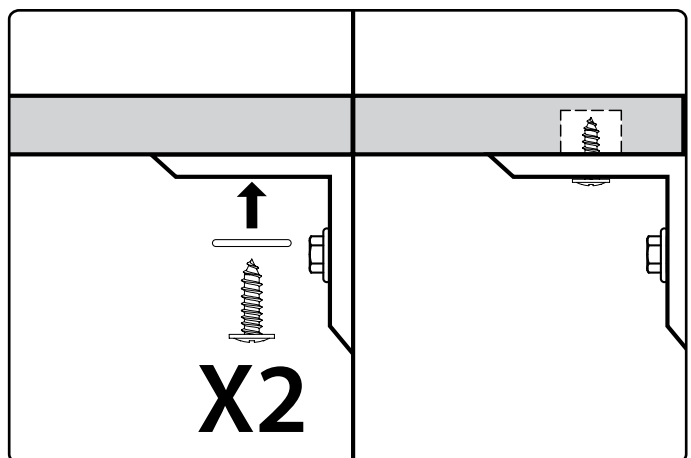
**3** Percer le plan de travail à l'aide des vis à bois #8 de 5/8 po.



**i** Facultatif : Pour le palier de support de l'armoire-vestiaire.



Utiliser 2 rondelles et vis à bois #8 de 5/8 po fournies dans l'emballage de l'armoire-vestiaire.



# Montage du ventilateur sur les casiers (facultatif)

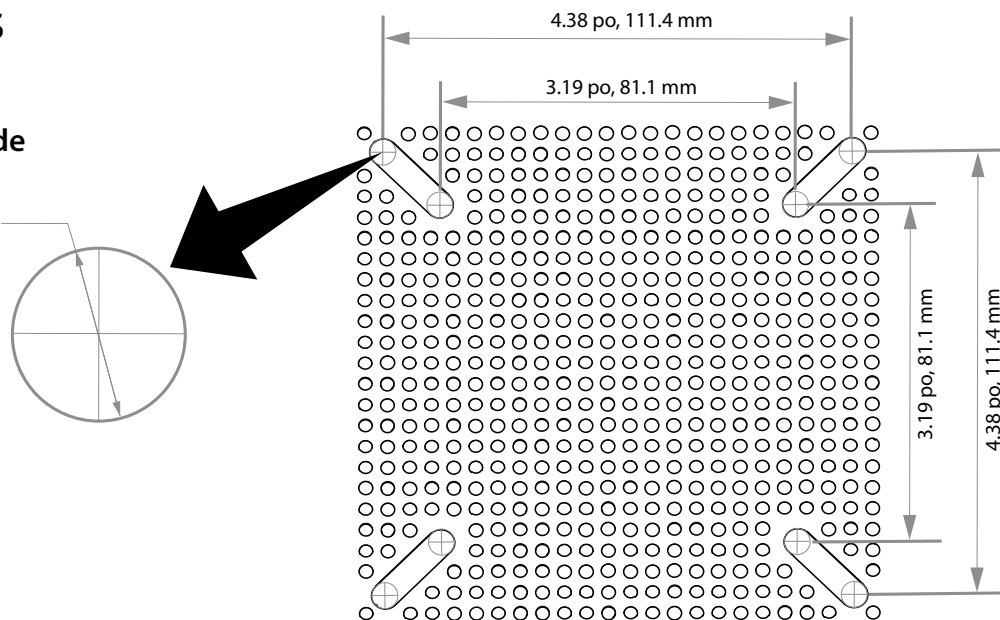
## Avertissement

L'installation du ventilateur est facultative et tous les composants du ventilateur ne sont pas inclus dans le paquet. Ce ventilateur ne peut être installé que sur les casiers étendus BOLD 36po et Bold 48po.

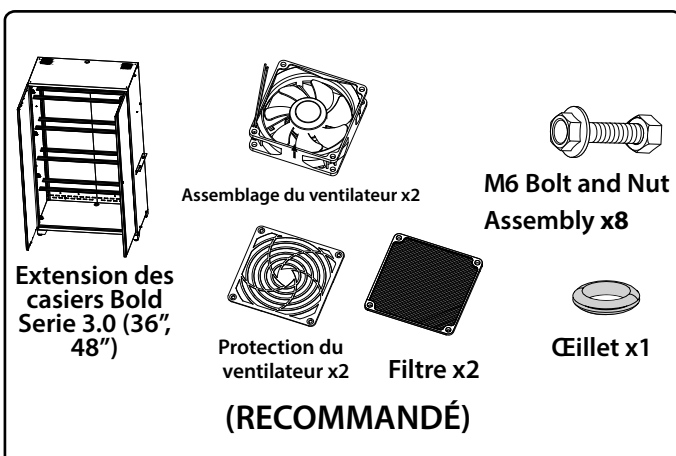
- NE PASS se tenir à l'intérieur du casier pendant l'installation du ventilateur.
- Il est de la responsabilité du client que l'installation du ventilateur soit conforme au Code national de l'électricité.
- Le client doit acheter un ventilateur de rechange. Les tailles de ventilateur recommandées sont de 90 mm à 120 mm de largeur (3,5 à 4,72 pouces). Veuillez vous référer à la taille (I X H) minimale et maximale des trous du ventilateur pour vous assurer que les ventilateurs sont compatibles.
- Veuillez vous référer au diamètre des trous de montage ci-dessous. Le diamètre extérieur des boulons doit être de 0,2 pouce/5,08 mm ou inférieur.

## VUE DU DESSUS

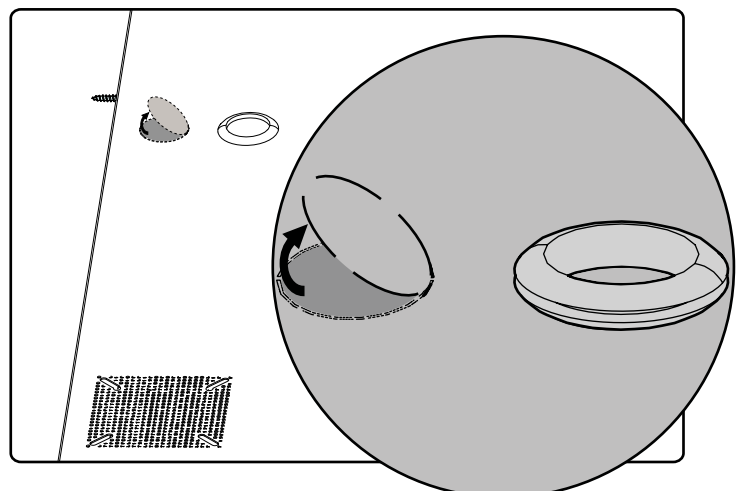
Diamètre du trou de montage  
0.2 po, 5.08 mm



## Pièces nécessaires.

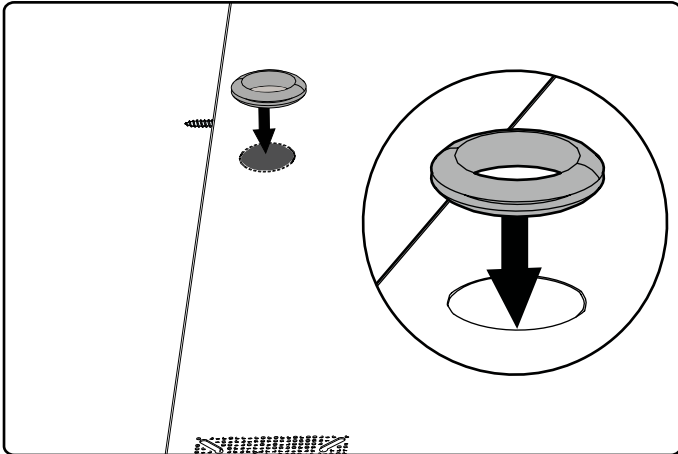


## **1** En utilisant l'emplacement prédéfini du trou sur le casier, créez une ouverture pour faire passer les fils qui sont fournis avec le ventilateur.

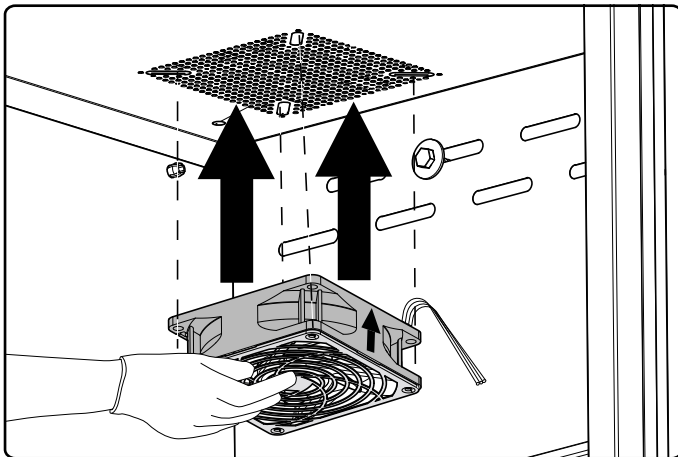


# Montage du ventilateur sur les casiers (facultatif)

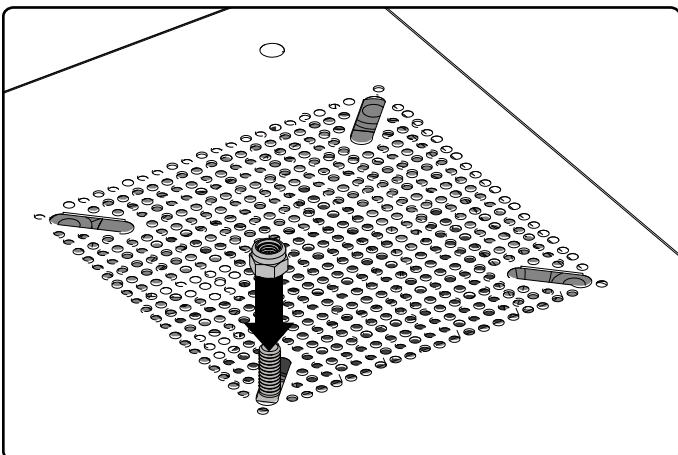
- 2** Autour de l'ouverture, ajouter un œillet en caoutchouc fourni dans la boîte de matériel.



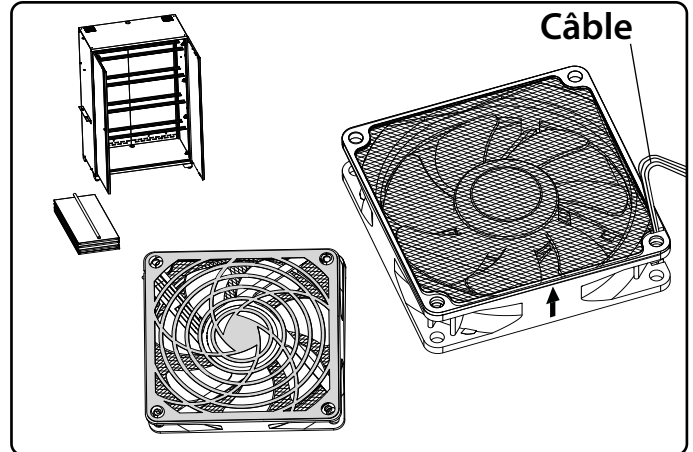
- 4** Placez l'ensemble du ventilateur sous le casier et tenez-le comme indiqué.



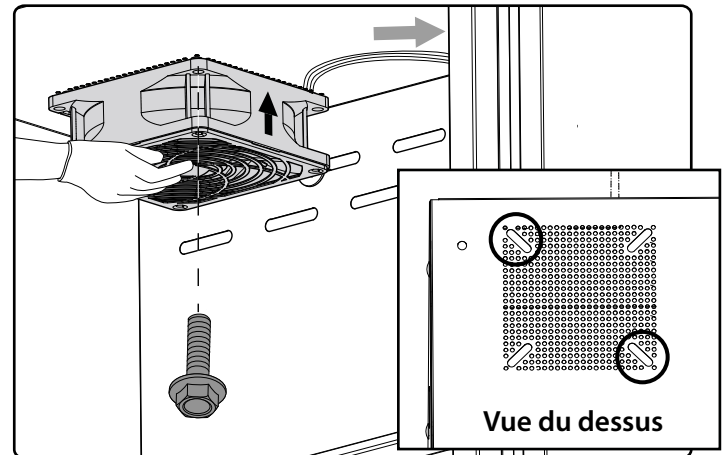
- 6** Serrez les écrous sur les vis depuis l'extérieur du casier. Répétez les étapes 5 et 6 pour les boulons restants.



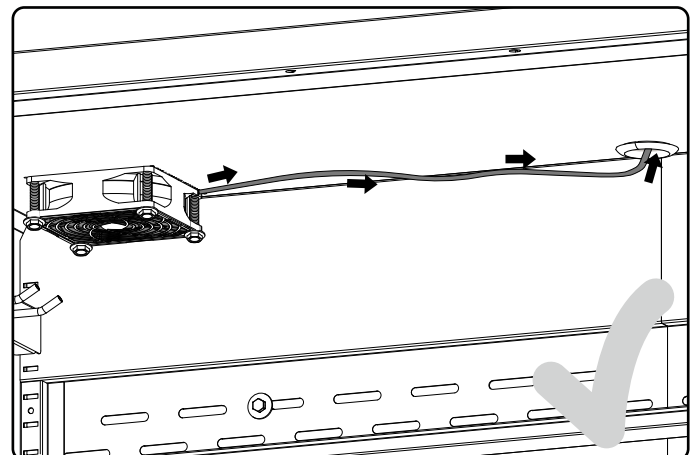
- 3** Fixez le filtre et la protection du ventilateur sur l'ensemble du ventilateur selon les instructions du fournisseur. Retirez les étagères du casier.



- 5** Insérez le boulon dans les trous de montage diagonaux du ventilateur par le dessous.

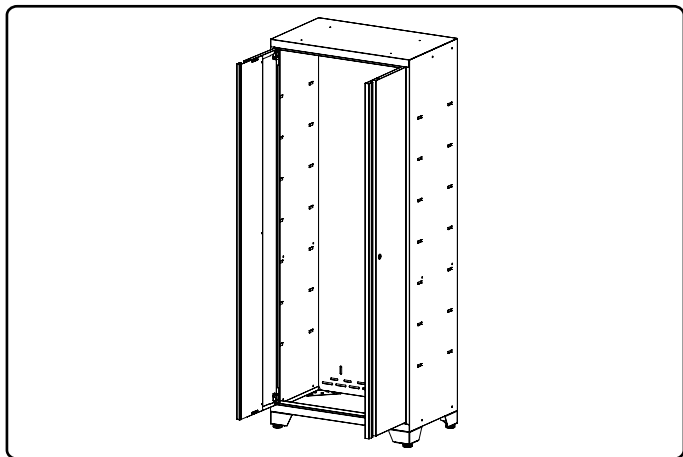


- 7** Acheminez le fil jusqu'à la source d'alimentation à travers un œillet. Suivez les mêmes étapes et installez le second ventilateur.

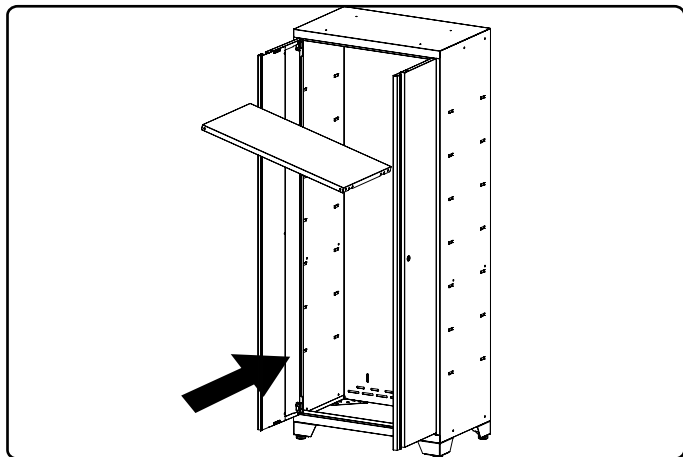


# Insertion des étagères d'armoire

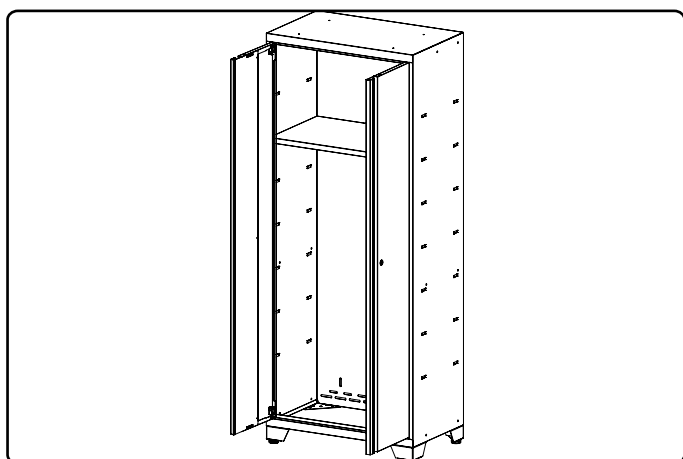
**1** Relever l'armoire.



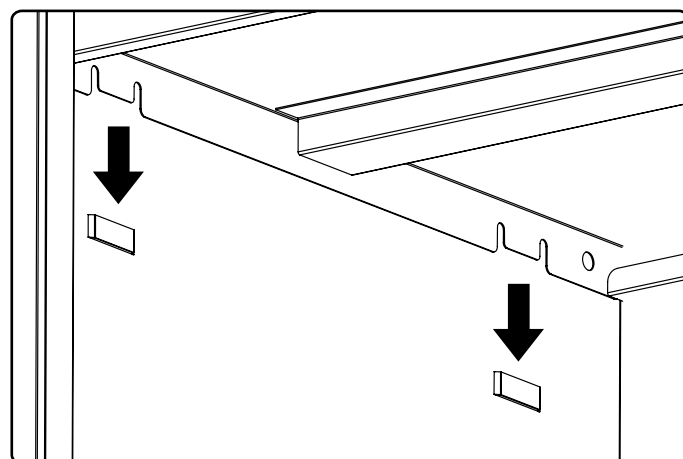
**2** Insérer l'étagère légèrement en biais.



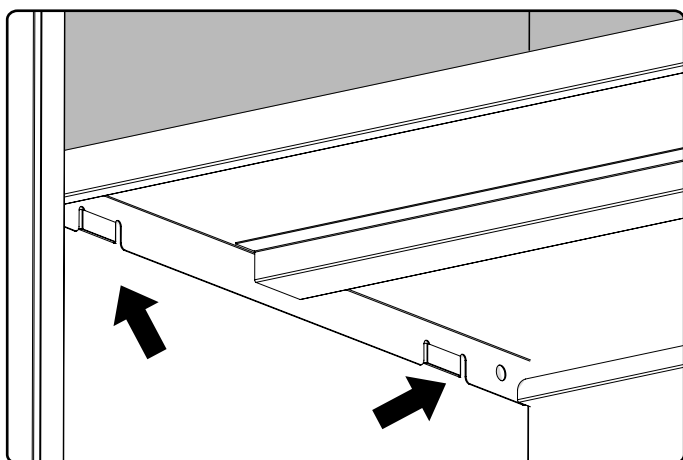
**3** Mettre à niveau l'étagère.



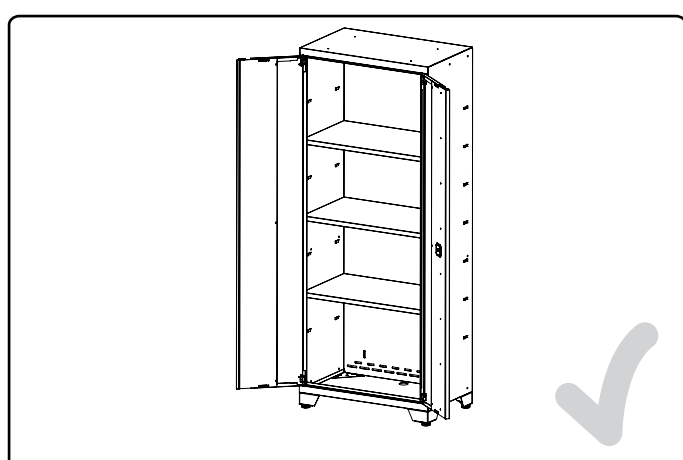
**4** Abaisser l'étagère sur des supports en faisant glisser les languettes dans les fentes.



**5** S'assurer que l'étagère est bien mise en place.

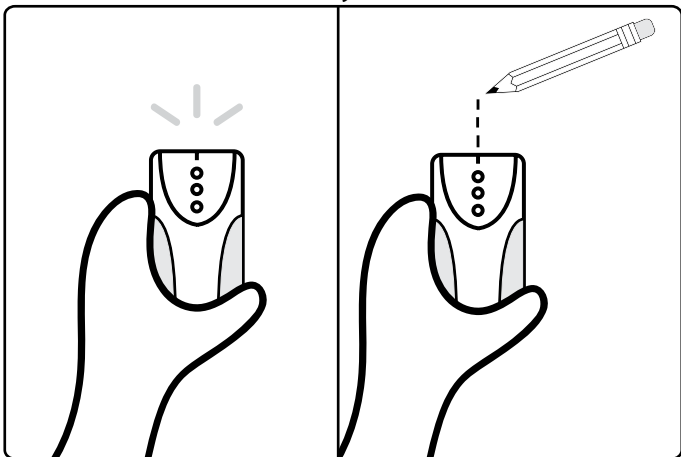


**6** Insérer le reste des étagères.

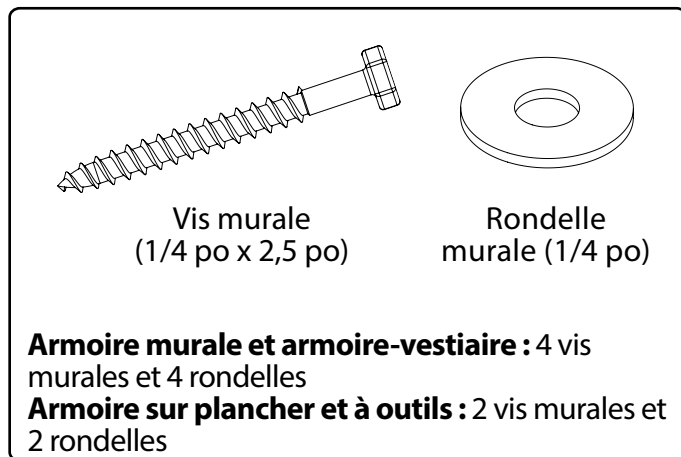


# Assemblage des armoires (cloison sèche et cloison creuse à colombage)

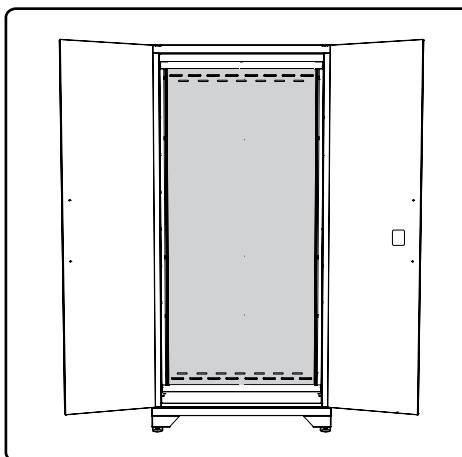
- 1** Utiliser le localisateur de montants pour repérer les montants et faire une ligne sur le mur avec un crayon.



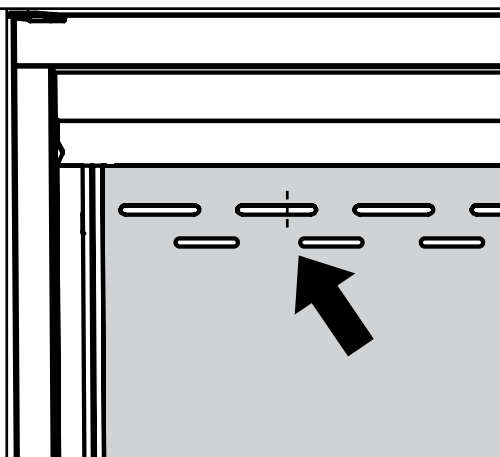
- 2** Rassembler les pièces.



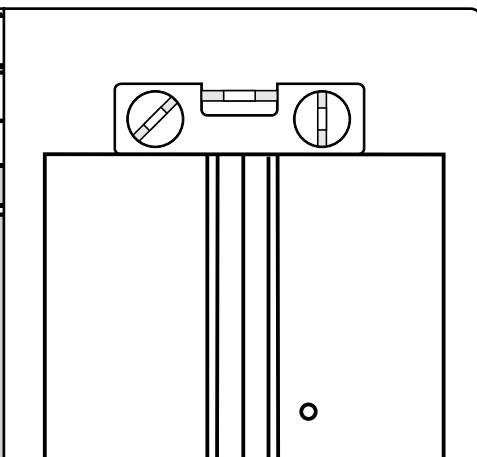
- 3** Bien appuyer l'armoire contre le mur.



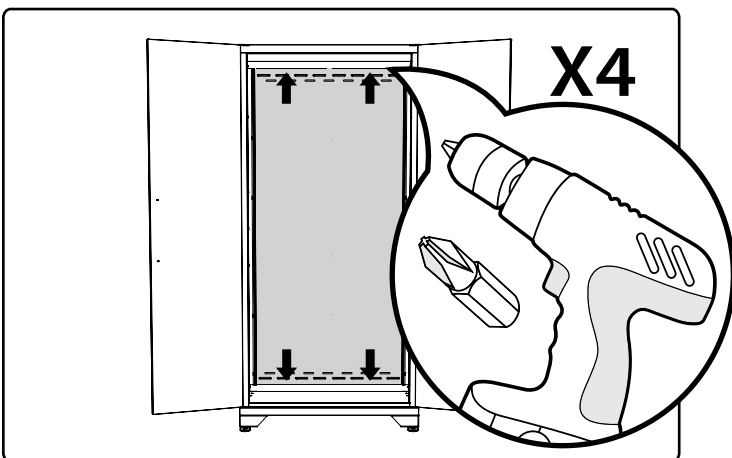
- 4** Aligner l'armoire sur les marques des montants.



- 5** Mettre l'armoire à niveau.



- 6** Percer 4 vis murales et rondelles dans les trous perforés des montants.



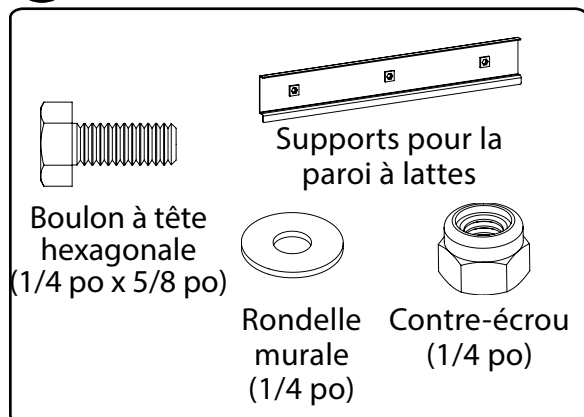
## **i** Maçonnerie.

- Suivre les étapes 1 à 5.
- Percer 4 avant-trous dans la bande perforée avec le marteau perforateur et la mèche à maçonnerie.
- Fixer 4 x (2 1/4 po x 1/4 po) ancrages pour béton Tapcon (2 1/4 po x 1/4 po) dans le mur. (Non inclus)
- OU 4 x (#10 x 2 po) vis n° 10 x 2 po avec cheville de maçonnerie de 3/16 po. (Non inclus)
- Suivre l'étape 6.

# Fixation des armoires sur une paroi à lattes

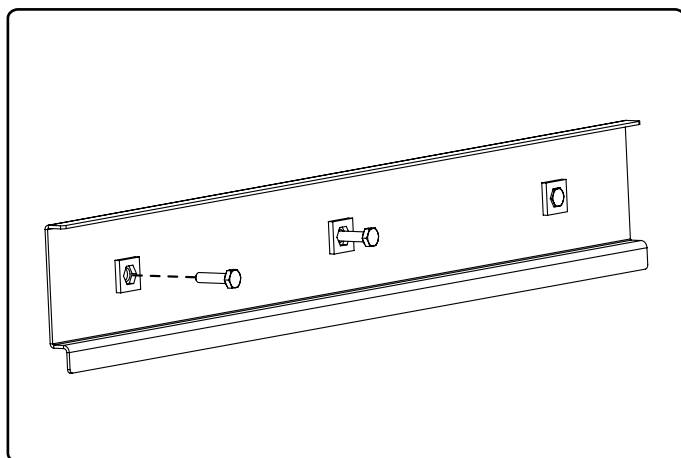
**Remarque: Les supports pour les parois à lattes du 3 pouces standard sont vendus séparément.** Vérifier auprès de votre fournisseur de parois à lattes pour déterminer la capacité nominale de votre paroi à lattes. **NE PAS SURCHARGER.** Les supports pour les parois à lattes sont compatibles seulement pour les parois à lattes 3 pouces standard.

## **i** Pièces nécessaires.

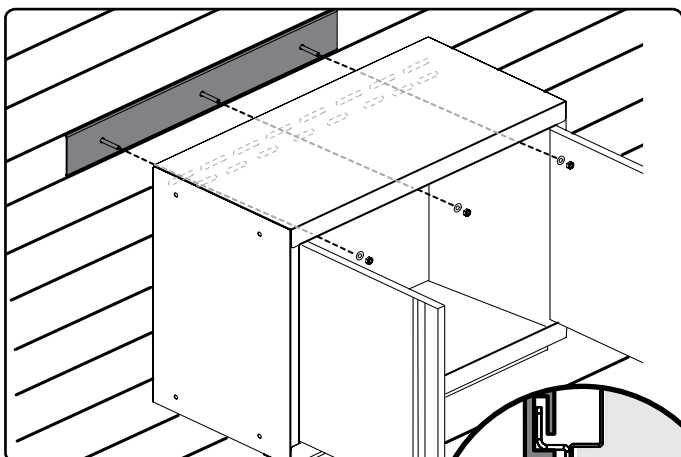


Fixer le support à la paroi à lattes à la hauteur voulue. Pour l'armoire-vestiaire, fixer le deuxième support à 66 po au-dessous du premier support.

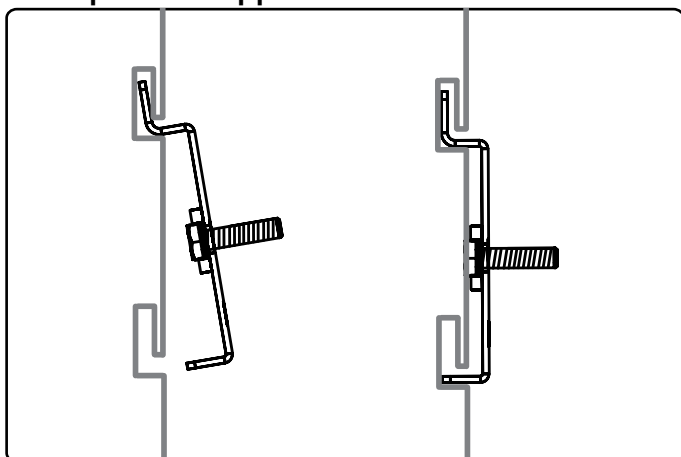
## **1** Insérer les boulons dans le support de la paroi à lattes.



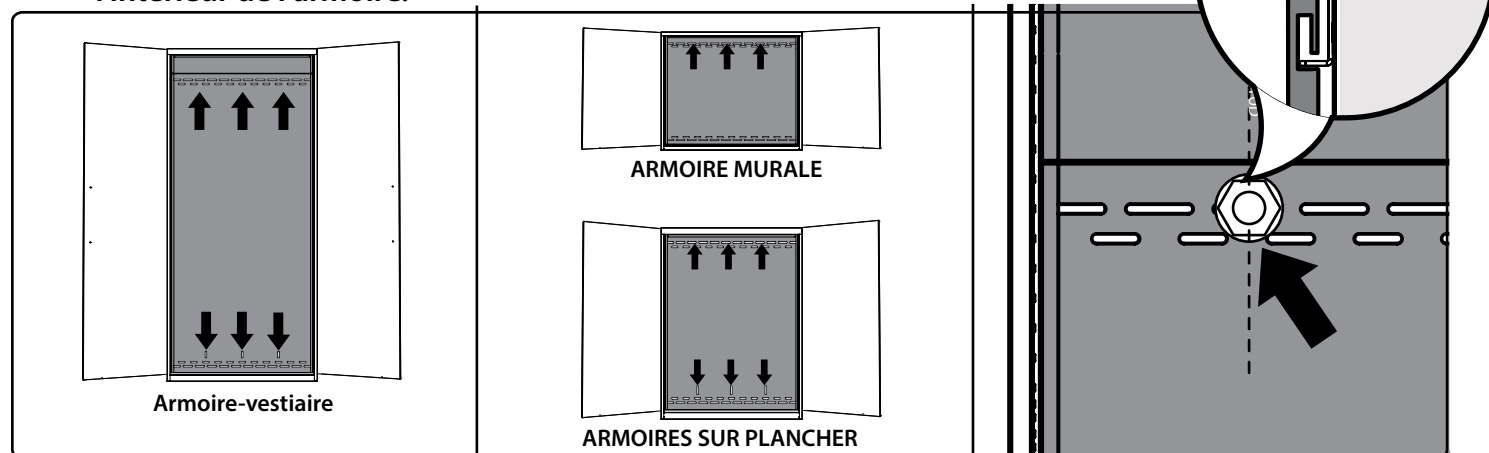
## **3** Aligner le boulon sur les fentes à l'arrière de l'armoire et suspendre l'armoire.



## **2**



## **4** En utilisant une douille pour foret de 1/4 po ou une clé de 1/4 po, fixer solidement les contre-écrous à chaque support mural depuis l'intérieur de l'armoire.



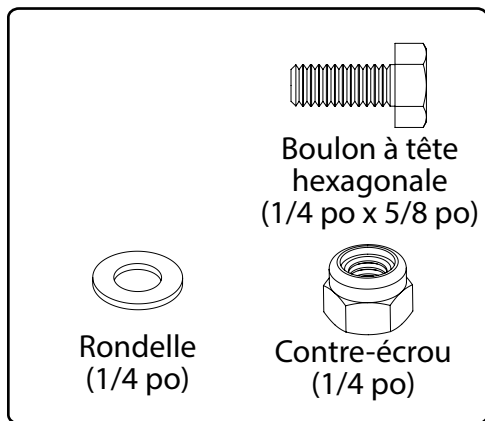
# Raccord des armoires



## Remarque :

Raccorder les autres armoires à la première armoire solidement assemblée.

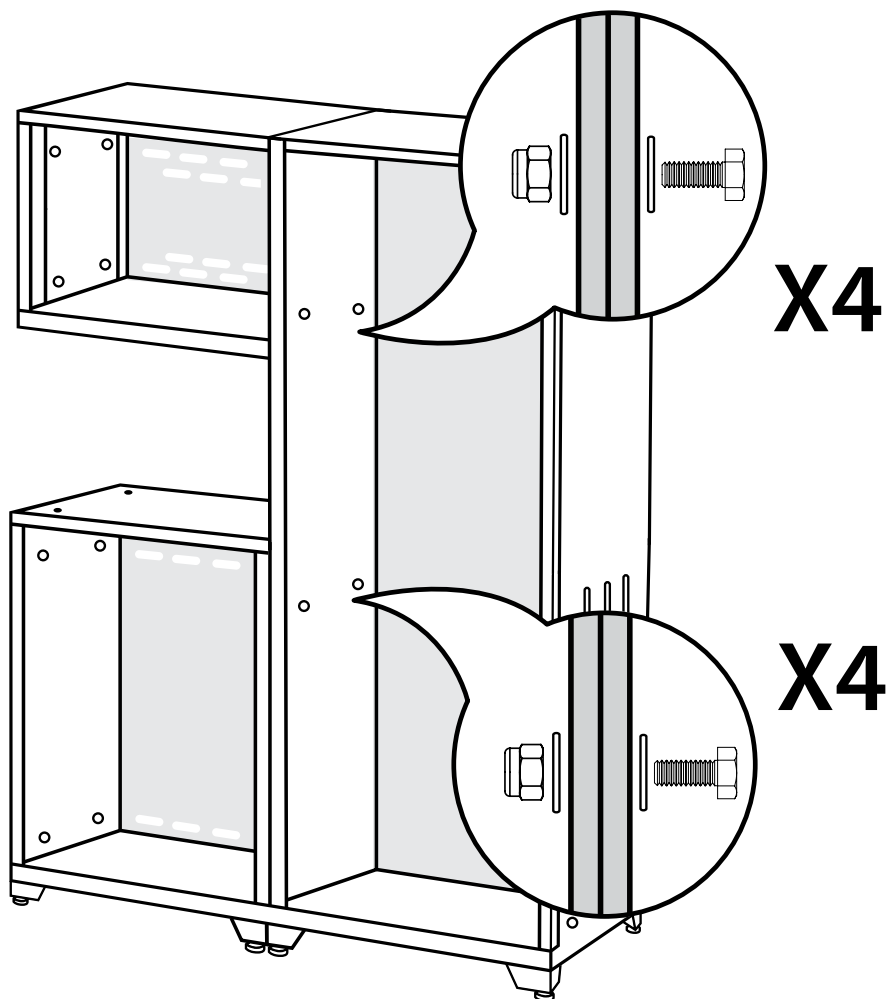
## Pièces nécessaires.



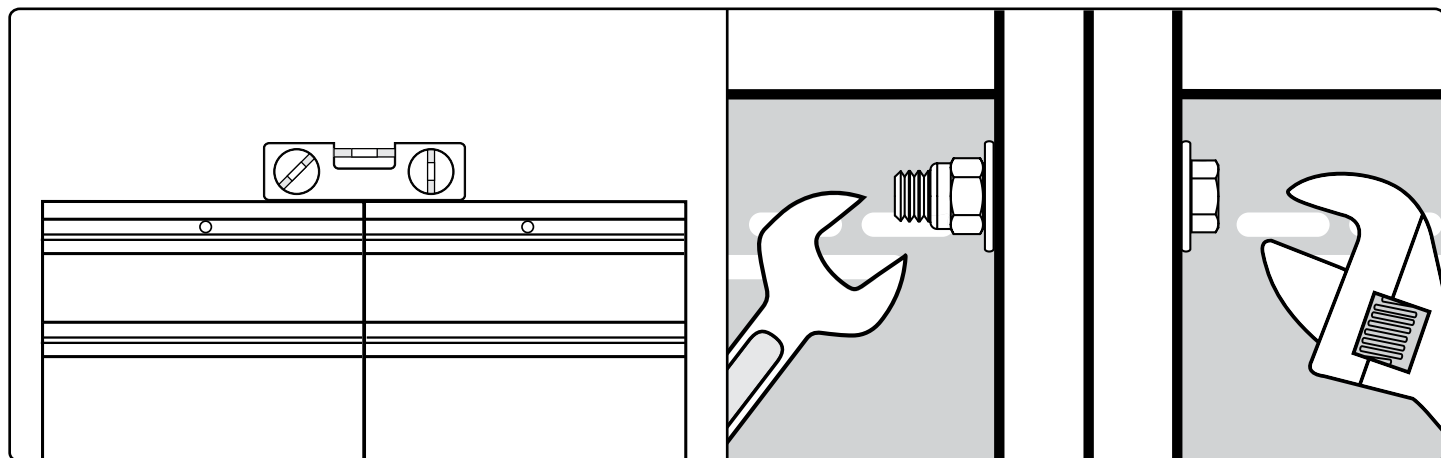
## Remarque :

Retirer tous les tiroirs avant de raccorder les armoires ensemble.

## 1 Aligner les boulons, serrer légèrement.

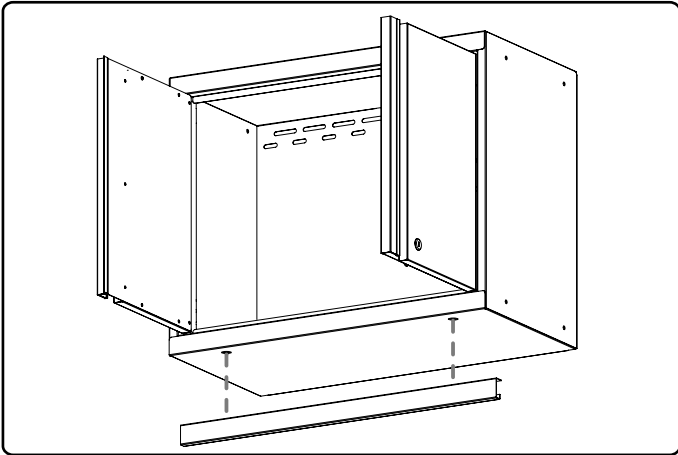


## 2 Mettre à niveau les armoires et serrer tous les boulons.

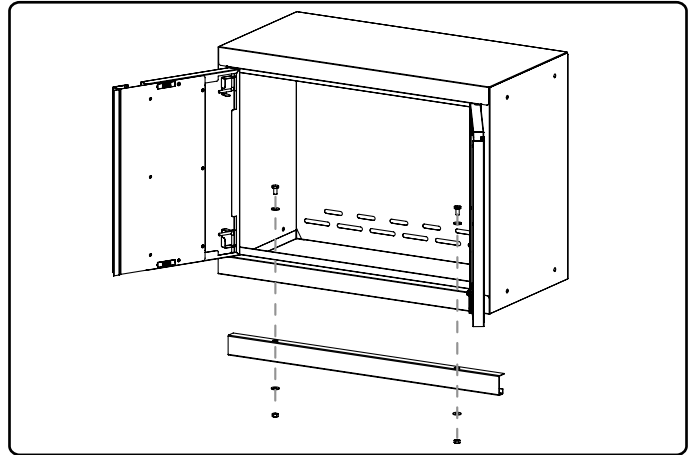


# Fixer le cache-néon à l'armoire murale

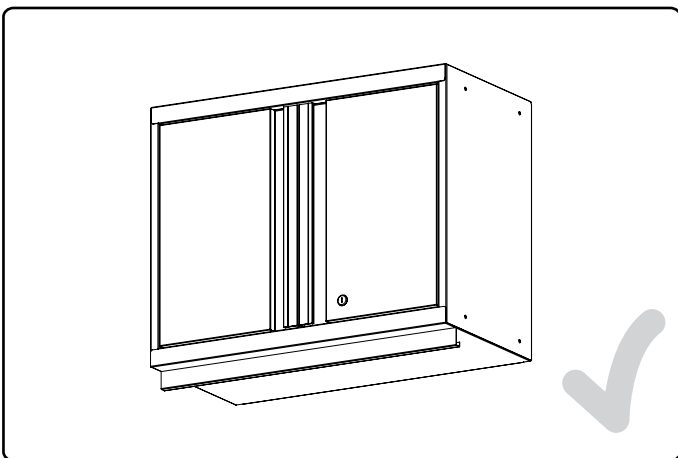
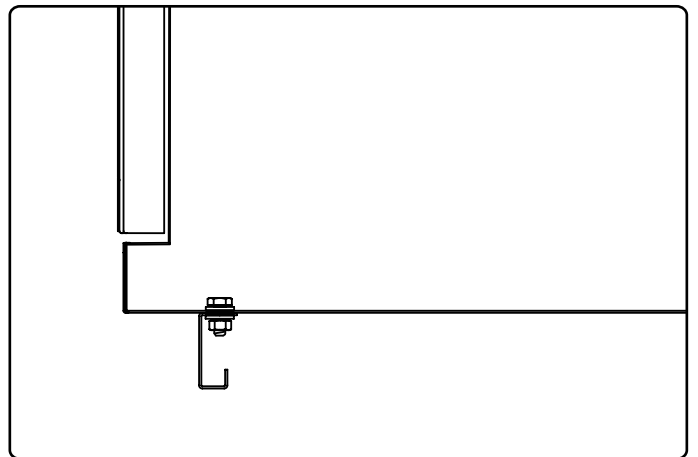
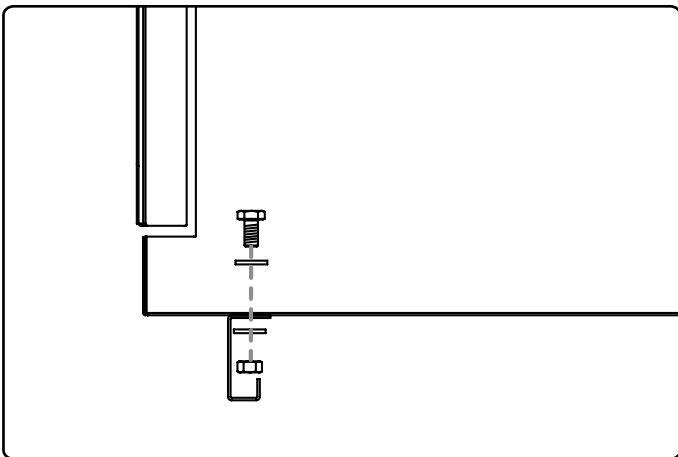
**1** Aligner les trous du cache-néon sur ceux de l'armoire.



**2** Insérer et serrer les boulons et écrous.

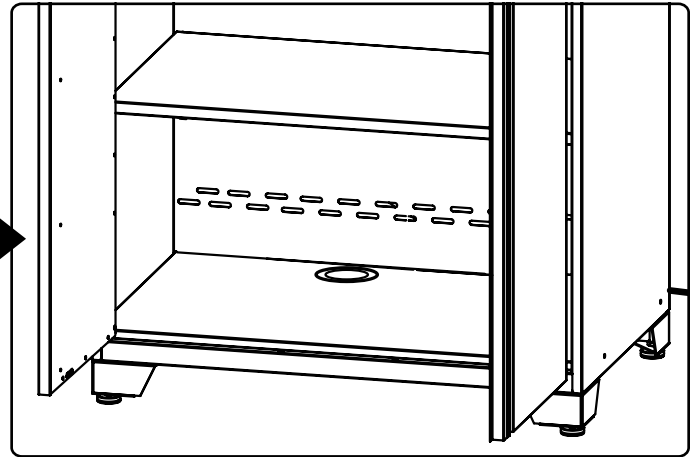
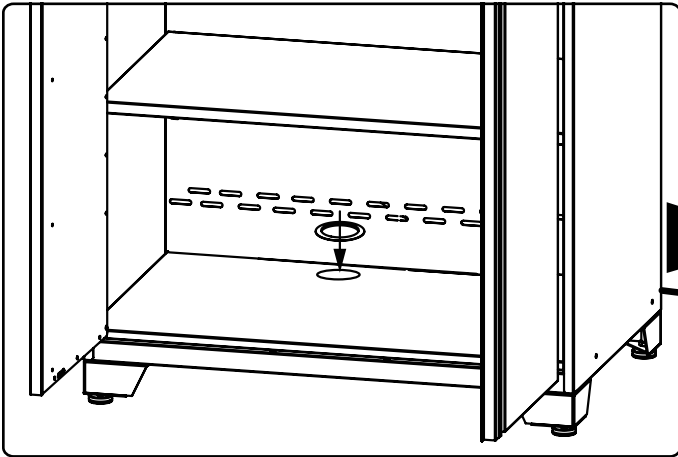


**3** Vue transversale.

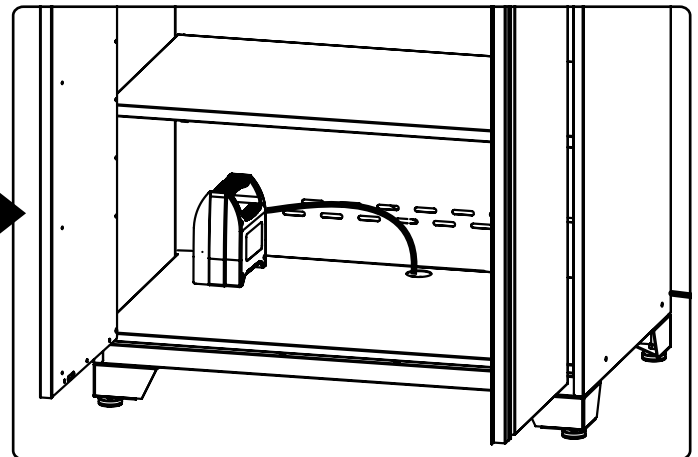
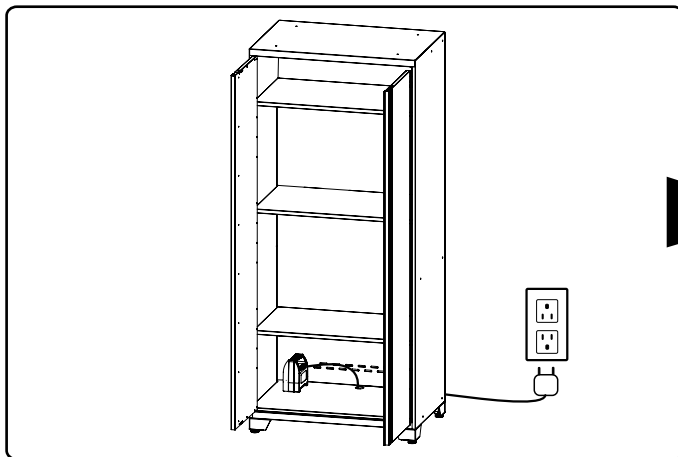


# Trous d'accès

- 1 Insérer le passe cable caoutchouc dans le trou a l'interieur de l'armoire.



- 2 Le trou d'accès permet un branchement facile à la prise de courant.



**Merci d'avoir acheté un produit NewAge!**

Si vous avez des questions, veuillez nous appeler ou visiter notre site Web.

Appeler au 1.877.306.8930;

envoyer un courriel à [info@newageproducts.com](mailto:info@newageproducts.com).