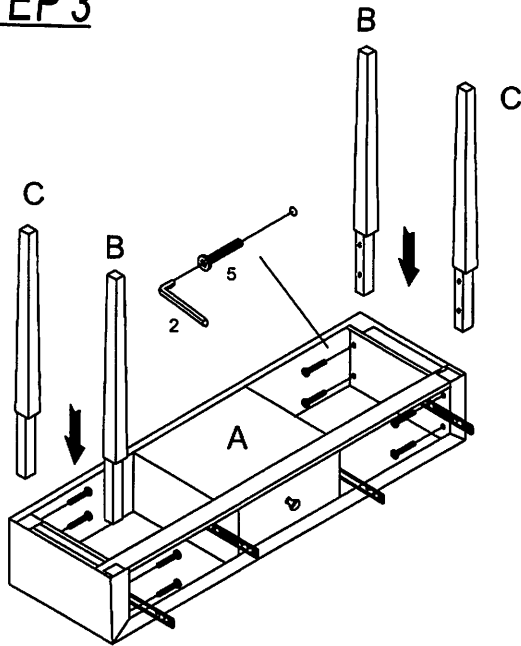


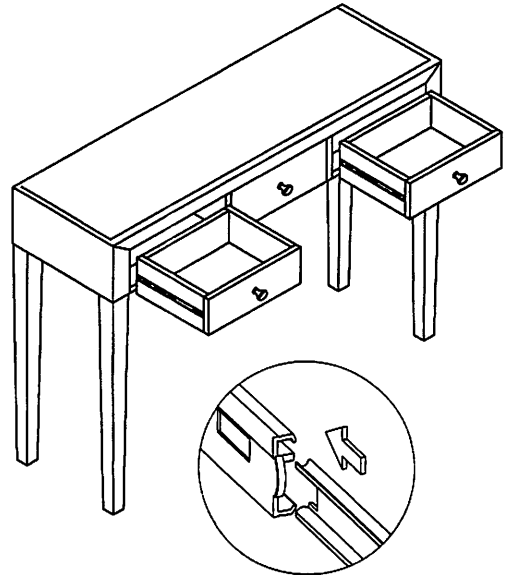
STEP 3



2		Allen key	1pc
5		φ 1/4x1. 1/8	8pcs

Page 5/8

STEP 4

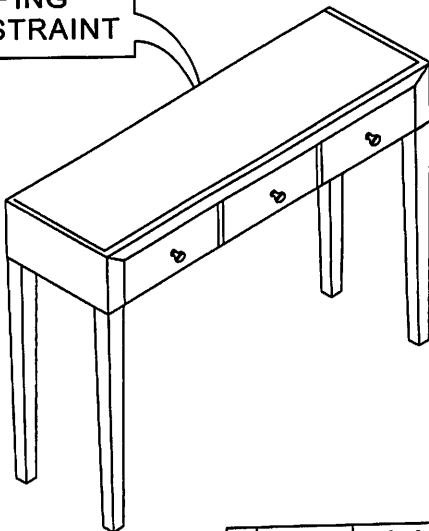


Install the Drawers

Page 6/8

STEP 5

FURNITURE
TIPPING
RESTRAINT



6		Furniture Tipping Restraint	1pc
---	--	-----------------------------	-----

Page 7/8

THANK YOU

We hope you enjoy your new purchase.

We have personally inspected this product.

In the event that you need any additional help for any reason,

Please do not hesitate to contact us at: 973-437-5068

email peter@better-homeproducts.com

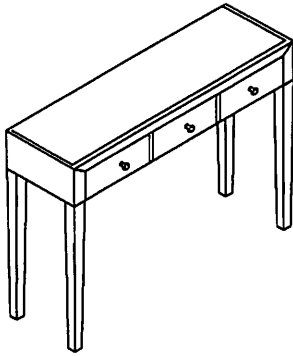
see our website Woodpeckers-furniture.com

Better Home Products
323 Cortlandt Street
Belleville New Jersey

Thank you

Page 8/8

BETTER HOME PRODUCTS
ASSEMBLY INSTRUCTIONS
Vanity

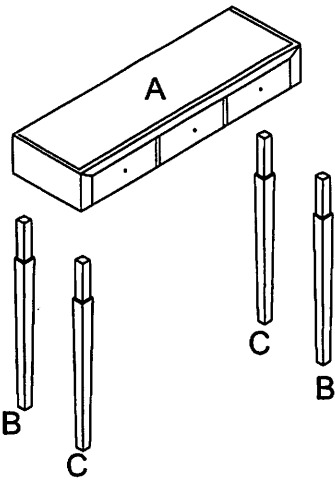


Hardware list

0		Round handle	3pcs
1		φ 1/8x1. 1/2	3pcs
2		Allen key	1pc
3		Plastic gasket	3pcs
5		φ 1/4x1. 1/8	8pcs
5		Furniture Tipping Restraint	1pc

MADE IN CHINA

Page 1/8



Parts list		
A	Top of the vanity	1 pc
B	Leg of the vanity	2 pcs
C	Leg of the vanity	2 pcs

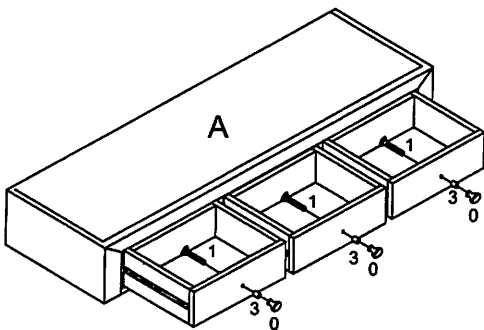


Before Starting assembly
please verify if all parts and
hardware are included.

MADE IN CHINA

Page 2/8

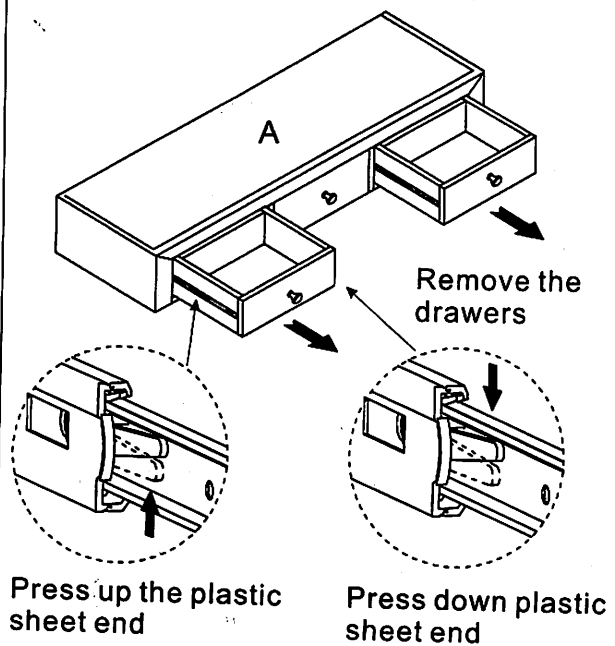
STEP 1



0		Round handle	3pcs
1		φ 1/8x1. 1/2	3pcs
3		Plastic gasket	3pcs

Page 3/8

STEP 2



Page 4/8