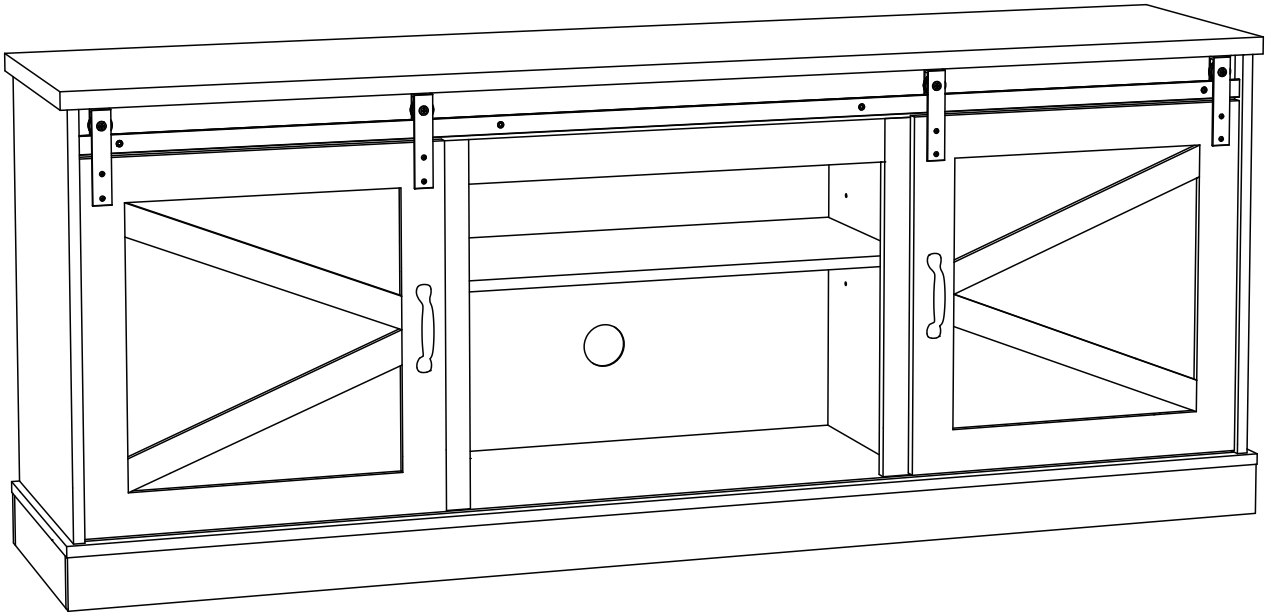


TV Stand

If you have any questions about the TV stand, please feel free to contact us.

Customer Service Email: Service@alaulm.com



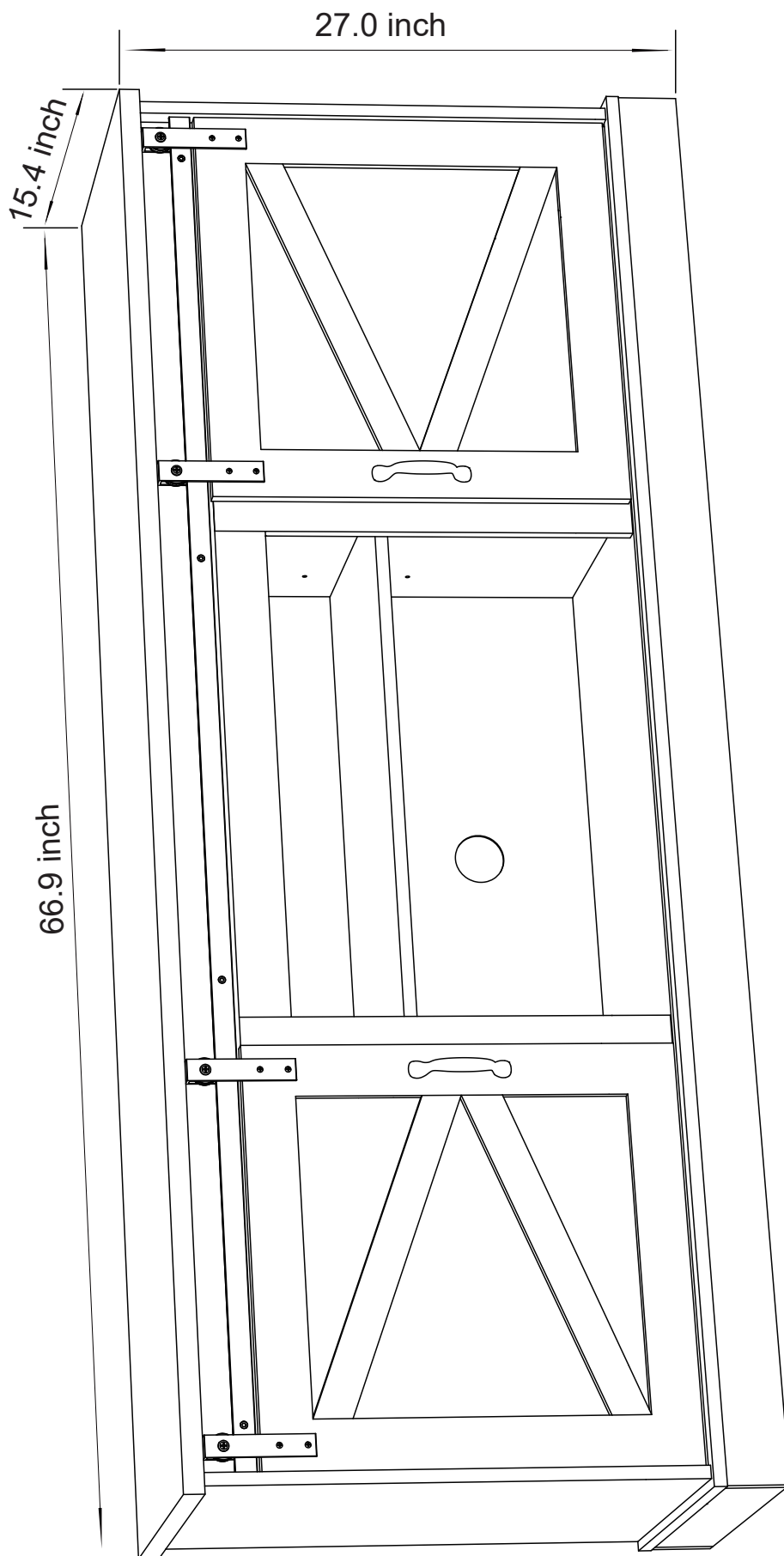
6715TVS-23

IMPORTANT

PLEASE READ BEFORE YOU COMMENCE ASSEMBLY

Follow the guidelines in this user guide to ensure correct assembly and care for this product.

SPECIFICATIONS



Catalog

Specifications.....	01
Catalog.....	02
Warning & Instructions	03
Part List And Screw Set List.....	04
Extra	07
How to Assemble TV Stand	08
How to Assemble Electronic Fireplace	25

Catalogue(FR)

Spécifications.....	01
Catalogue.....	02
Avertissement et instructions	03
Liste des pièces et des jeux de vis(FR).....	31
Extra(FR)	33
Comment assembler un meuble TV(FR)	34
Comment assembler un foyer électronique(FR)	51



Warning & Instructions

EN

Thank you for purchase on ALAULM products, please contact us if you have difficulty with assembly or need replacement parts. ALAULM customer service is here to assist you.

Email: Service@alaulm.com

Please attach your Username or Order ID so that we can assist you better.



WARNING

Serious or fatal injury may occur from unexpected assembly or use.

1. During the assembly process, keep all parts away from babies or children.
2. Always securely fix this product to the wall. Make sure the wall area to be drilled is free from hidden electrical wires, water and gas pipes.
3. Use of tip-over restraints may only reduce, but not eliminate the risk of tip-over.
4. Unless specially designed to accommodate, do not set heavy objects on top of this product.
5. Place the heaviest items on the lowest shelf.
6. Never allow children to climb or bang on drawers, doors or shelves.

FR

Nous vous remercions d'avoir acheté des produits ALAULM.

si vous avez des difficultés avec l'assemblage ou si vous avez besoin de pièces de rechange.

Le service à la clientèle d'ALAULM est là pour vous aider.

Courriel : Service@alaulm.com

Veuillez joindre votre nom d'utilisateur ou votre numéro de commande afin que nous puissions mieux vous aider.

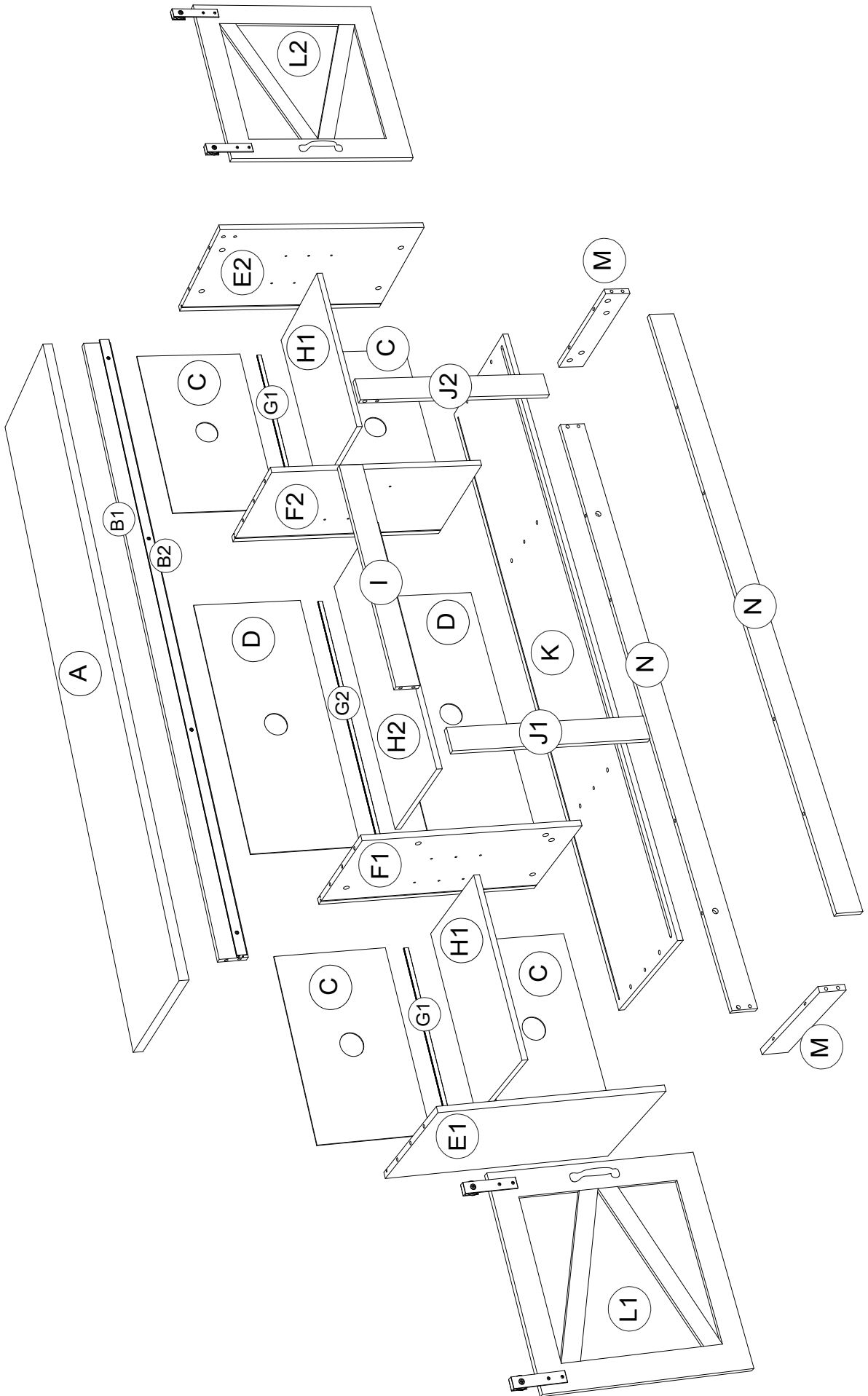


AVERTISSEMENT

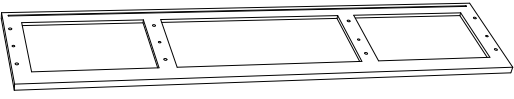

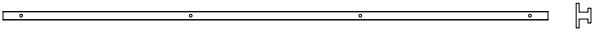
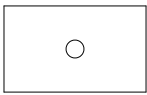
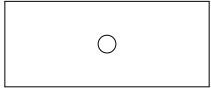

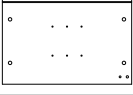
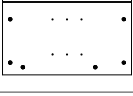
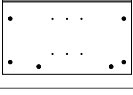
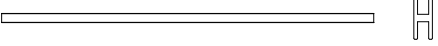
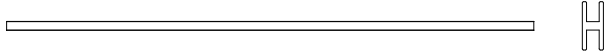





Des blessures graves ou mortelles peuvent survenir en cas d'assemblage ou d'utilisation inattendus.

1. Pendant le processus d'assemblage, gardez toutes les pièces hors de portée des bébés ou des enfants.
2. Fixez toujours solidement ce produit au mur. Assurez-vous que la zone murale à percer est exempte de fils électriques cachés, de conduites d'eau et de gaz.
3. L'utilisation de dispositifs de retenue en cas de basculement peut seulement réduire le risque de basculement, mais ne l'élimine pas.
4. Ne pas poser d'objets lourds sur ce produit, sauf s'il a été spécialement conçu à cet effet.
5. Placez les objets les plus lourds sur l'étagère la plus basse.
6. Ne laissez jamais les enfants grimper ou se cogner sur les tiroirs, les portes ou les étagères.


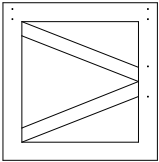
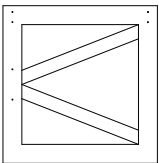

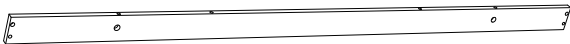
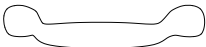
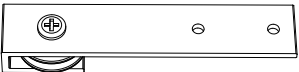
PART LIST




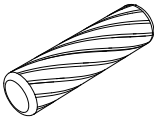
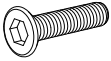
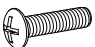


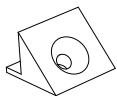
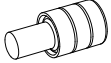


PART LIST

Parts List			
Parts	Icon	Description	Qty
A		Top plate	1 PC
B1		Long upper baffle	1 PC
B2		Railroad track	1 PC
C		Short backplane	4 PCS
D		Long backplane	2 PCS
E1		Left side panel	1 PC
E2		Right side panel	1 PC
F1		Left neutral plate	1 PC
F2		Right neutral plate	1 PC
G1		Short fixing bar	2 PCS
G2		Long fixing bar	1 PC
H1		Short bulkhead	2 PCS
H2		Long bulkhead	1 PC
I		Long door stopper	1 PC
J1		Left door stopper	1 PC
J2		Right door stopper	1 PC



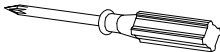

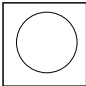
PART LIST

Parts List			
Parts	Icon	Description	Qty
K		Base plate	1 PC
L1		Left door panel	1 PC
L2		Right door panel	1 PC
M		Short baseboard	2 PCS
N		Long baseboard	2 PCS
O		Doorknob	2 PCS
P		Lifting rail connectors	4 PCS




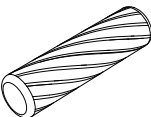
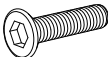
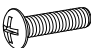


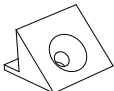
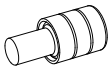
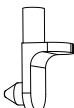

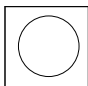
Screw Set List				
<p>Q</p>  <p>M7x40</p> <p>36 PCS</p>	<p>R</p>  <p>M7 nuts</p> <p>—</p>	<p>S</p>  <p>M15x11</p> <p>—</p>	<p>T</p>  <p>Φ8x30</p> <p>22 PCS</p>	<p>U1</p>  <p>M6x25</p> <p>4 PCS</p>
<p>U2</p>  <p>M4x18</p> <p>4 PCS</p>	<p>U3</p>  <p>M3.5x15</p> <p>8 PCS</p>	<p>U4</p>  <p>M3.5x14</p> <p>18 PCS</p>	<p>V</p>  <p>Stopper</p> <p>18 PCS</p>	<p>W1</p>  <p>Metal locating post</p> <p>4 PCS</p>

PART LIST

Screw Set List

 <p>Support tabs</p>	 <p>Footrest</p>	 <p>Screwdriver</p>	 <p>M6 Allen Key</p>	 <p>Masking Paste</p>
12 PCS	12 PCS	1 PC	1 PC	36 PCS

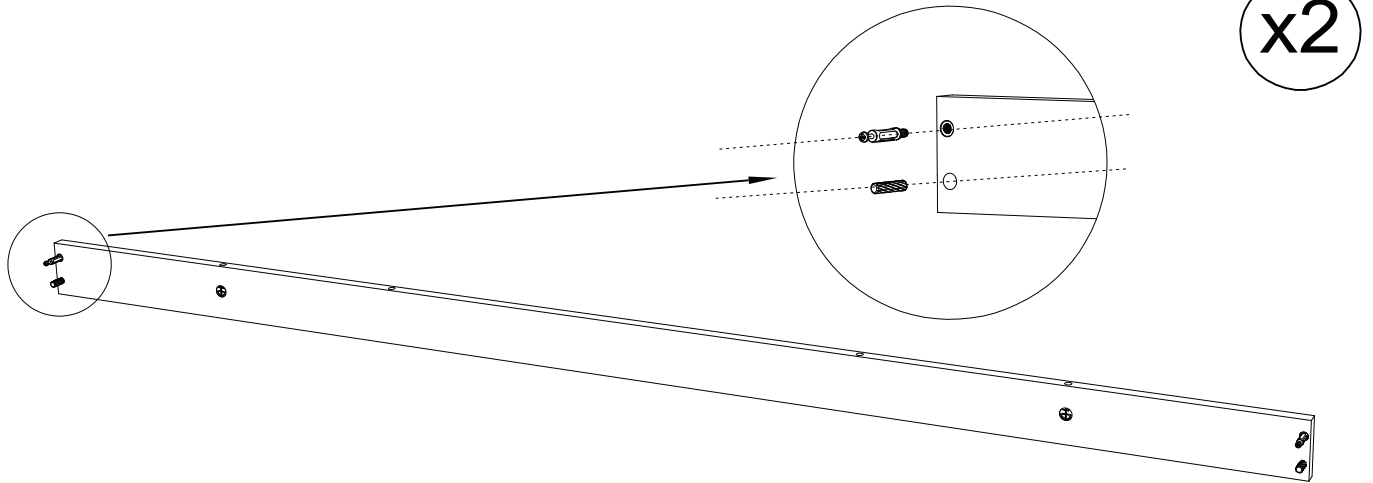
Extra (Screw Set)

 <p>M7x40</p>	 <p>M7 nuts</p>	 <p>M15x11</p>	 <p>Φ8x30</p>	 <p>M6x25</p>
4 PCS	4 PCS	4 PCS	4 PCS	1 PC
 <p>M4x18</p>	 <p>M3.5x15</p>	 <p>M3.5x14</p>	 <p>Stopper</p>	 <p>Metal locating post</p>
1 PC	2 PCS	4 PCS	2 PCS	1 PC
 <p>Support tabs</p>	 <p>Footrest</p>	 <p>Masking Paste</p>		
2 PCS	2 PCS	4 PCS		

How To Assemble TV Stand

Step 1: Place the locating wood rods(T) into the holes in the long baseboard(N). Screw the M7 screw(Q) into the expansion nut(R) until the threaded part is all the way in.

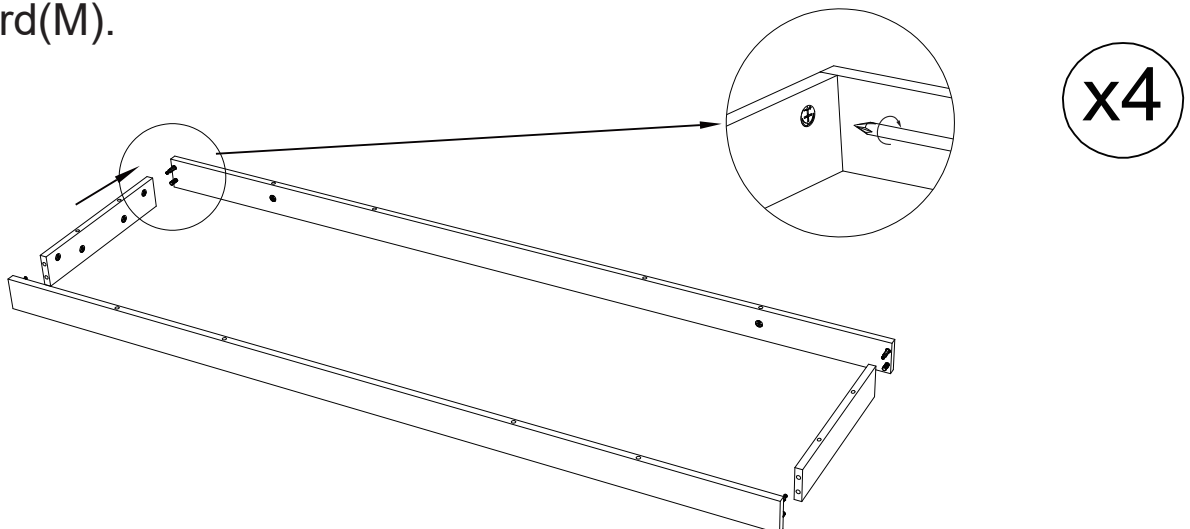
NOTE: The top hole holds the expansion nuts(R).



N		x2	Q		M7x40	x4	T		x4
---	--	----	---	--	-------	----	---	--	----

Step 2: Insert the side holes of the short baseboard(M) against the screws(Q) and locating rods(T) on the long baseboard(N) and tighten the screws on the short baseboard(M) clockwise with a screwdriver.

NOTE: If the screw(Q) cannot be inserted into the short baseboard(M), slowly rotate the screw(S) until it can be inserted into the short baseboard(M).

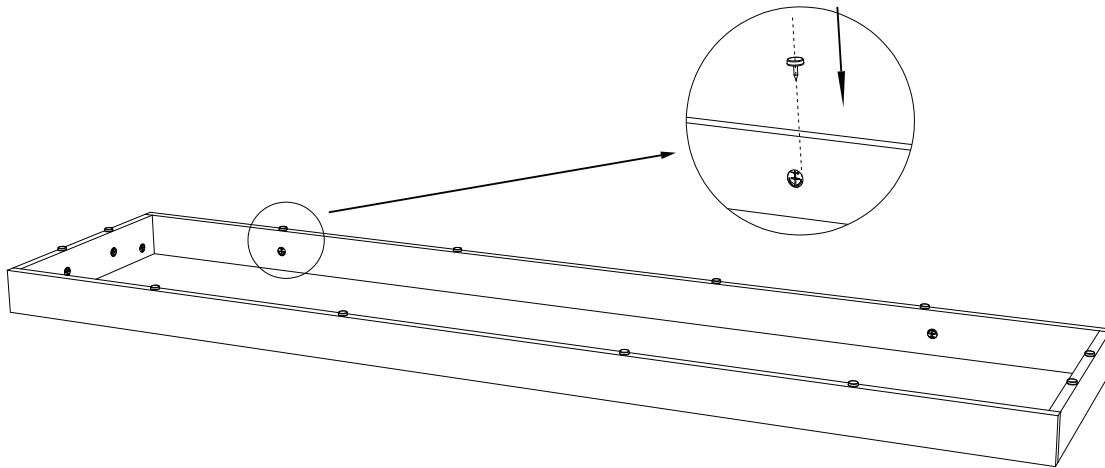


M		x2
---	--	----

Installation steps

Step 3: Choose the right spacing and nail the footrest(W3) into the side of the baseboard(M and N) that is off the ground.

NOTE: Keeping the footrest(W3) perpendicular to the baseboard(M and N), slowly and carefully nail them in.



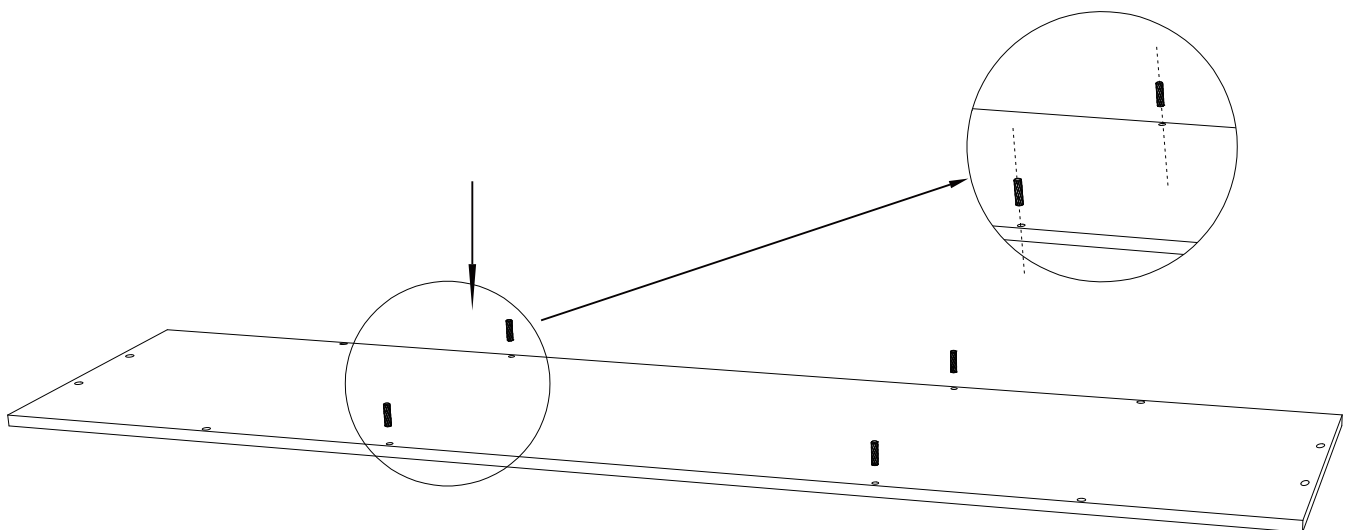
W3



x12

Step 4: Place the locating wood rods(T) into the holes in the base plate (K).

NOTE: Holes are on the back of the base plate(K).



K



x1

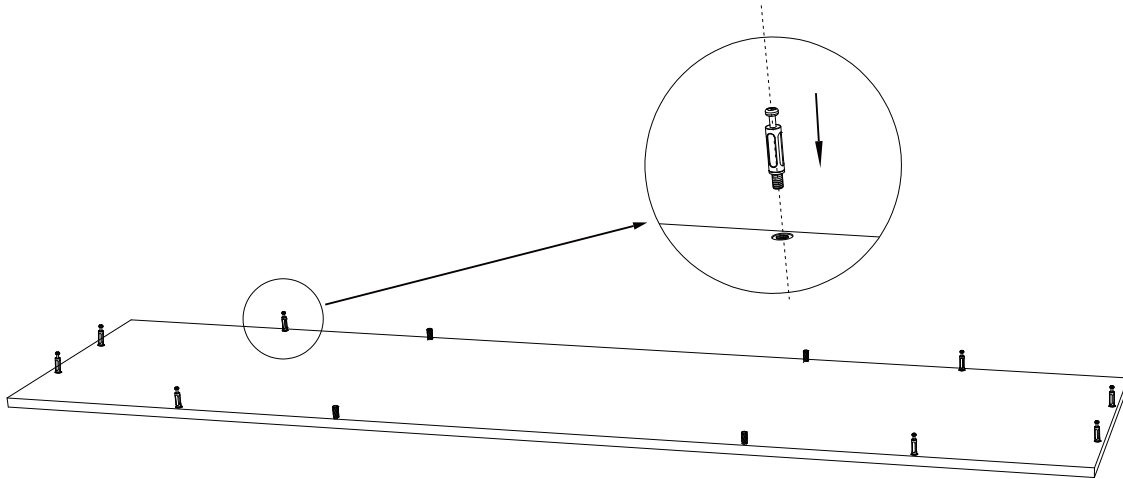
T



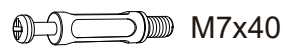
x4

Installation steps

Step 5: Screw the M7 screw(Q) into the expansion nut(R) until the threaded part is all the way in.



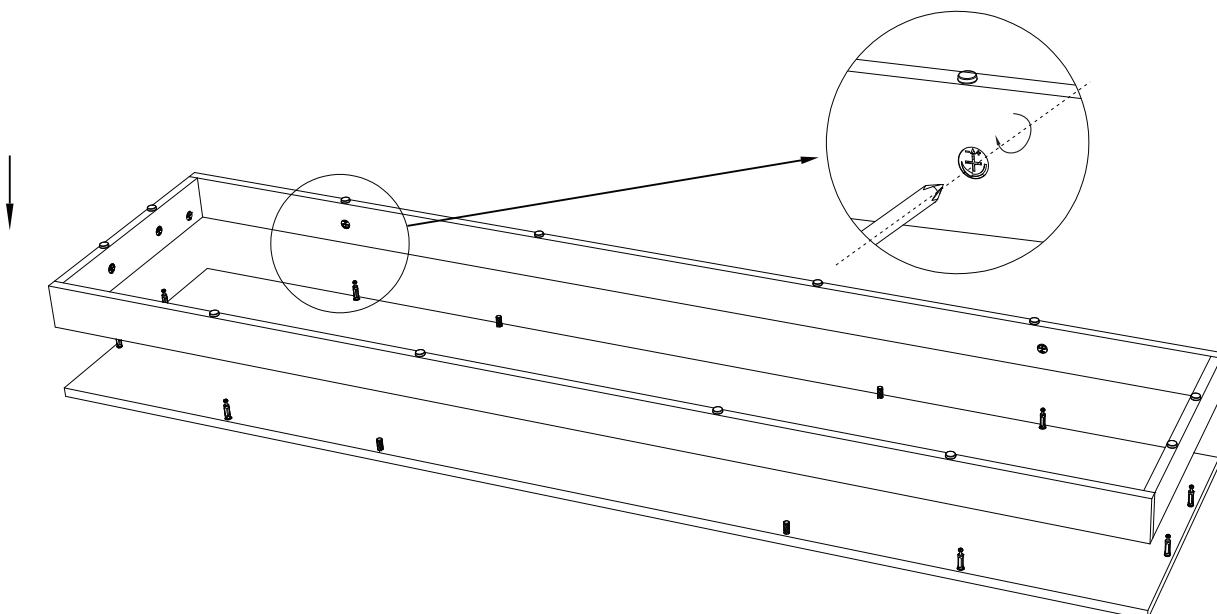
Q



x8

Step 6: Insert the baseboard frame with the holes facing downwards, aligned with the screws(Q) and locating wood rods(T) on the base plate(K).

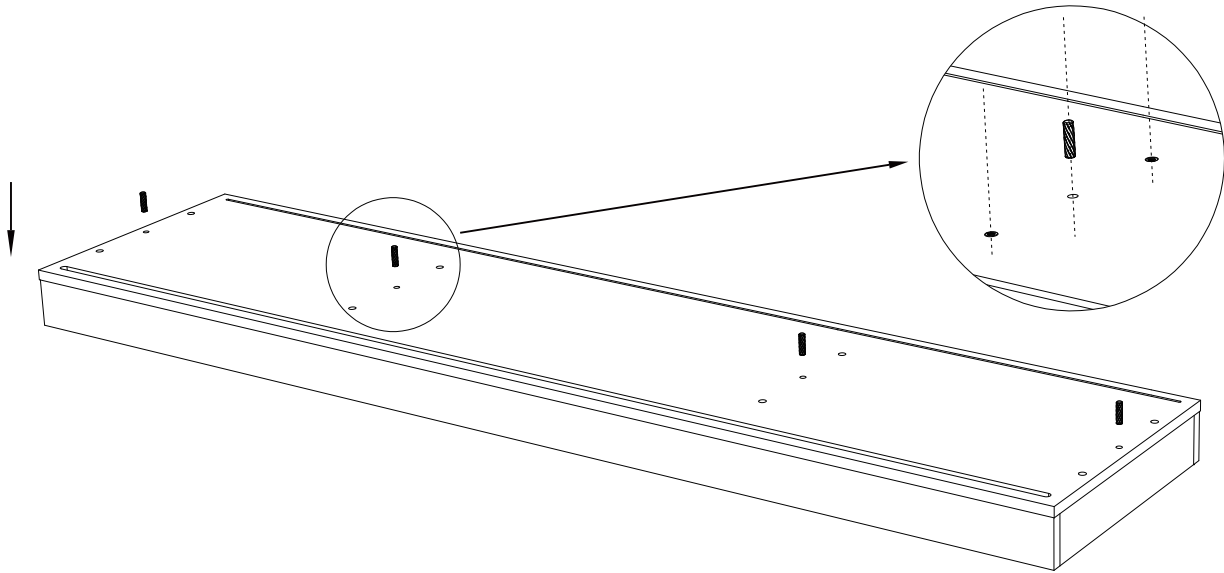
NOTE: If the screw(Q) cannot be inserted into the base plate(K), slowly rotate the screw(S) until it can be inserted into the base plate(K).



Installation steps

Step 7: Place the locating wood rods (T) into the holes in the base plate (K).

NOTE: Holes are in front of base plate (K).

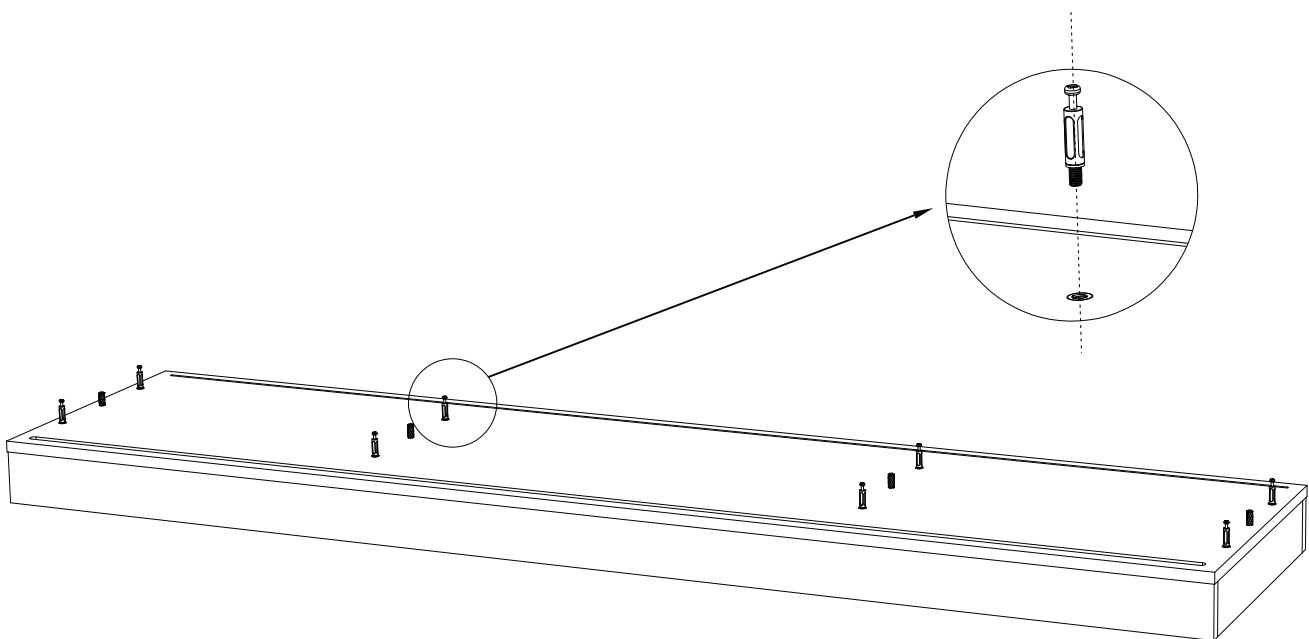


T



x4

Step 8: Screw the M7 screw (Q) into the expansion nut (R) until the threaded part is all the way in.



Q

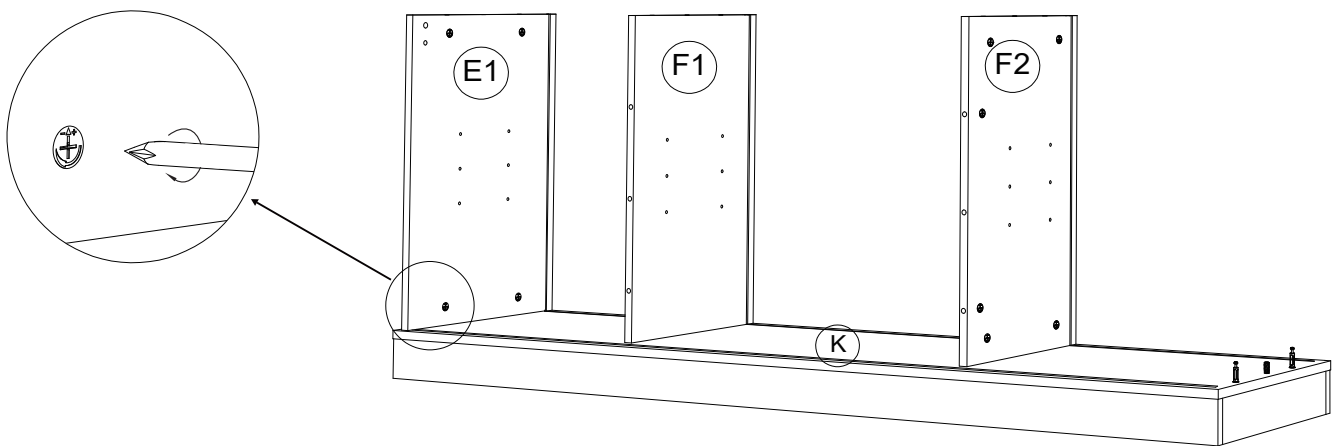
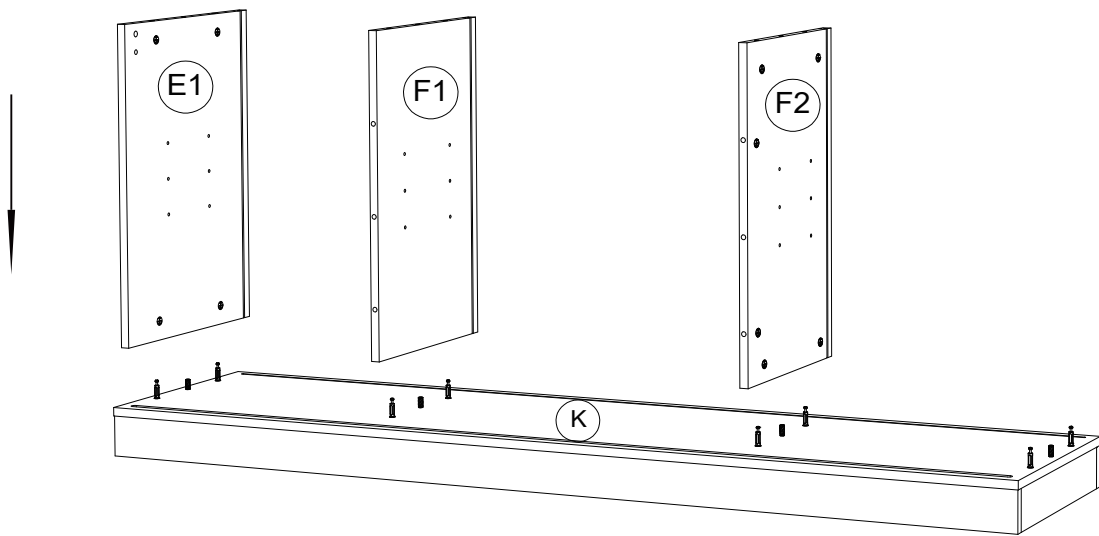


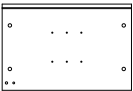
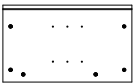
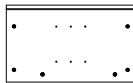
x8

Installation steps

Step 9: Insert the four vertical boards from left to right in the order of E1, F1, F2 into the base plate(K), the direction of the groove on the vertical board is the back of the TV stand, and the narrow groove on the base plate(K) aligned with the installation, and use a screwdriver(X) to tighten the screws(S), so that the vertical boards are fixed.

NOTE: If the screw(Q) cannot be inserted into the vertical boards, slowly rotate the screw(S) until it can be inserted into the short baseboard(M). Note the orientation of the three risers; the side of E1 with the two small holes is the top, F1 and F2 are oriented opposite each other, and the side with the notch is the back of the TV stand.

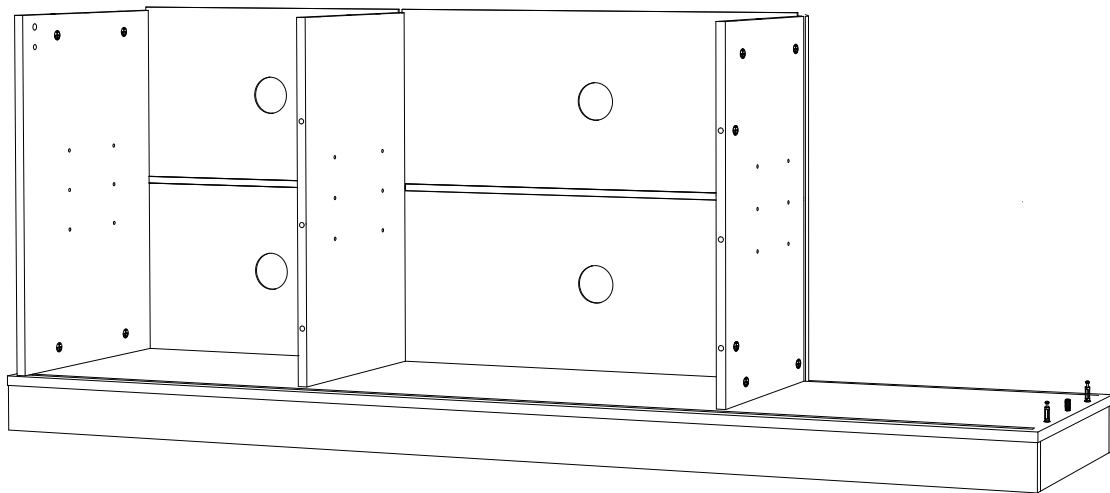
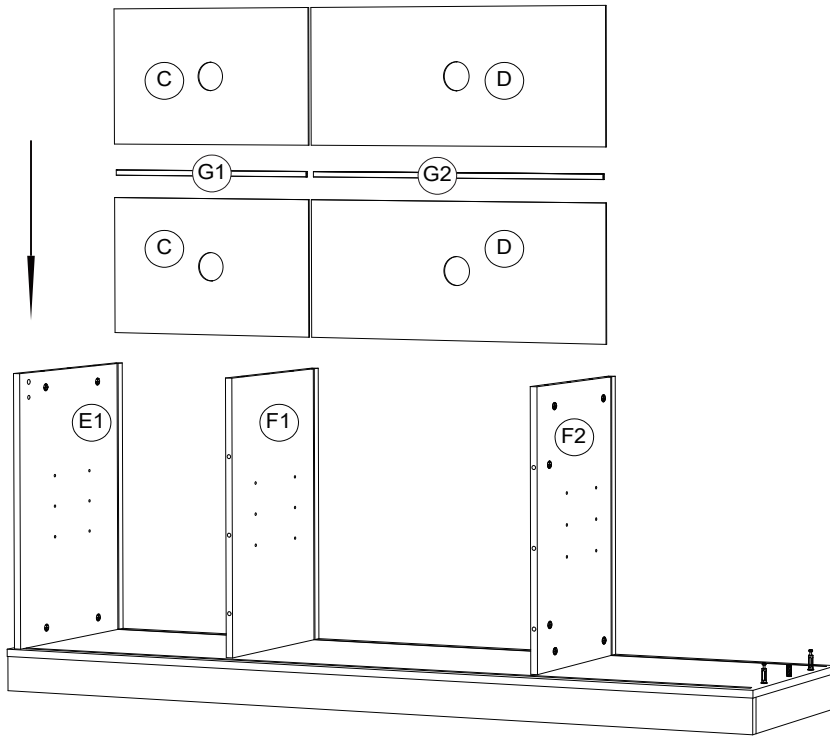


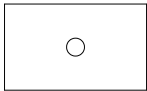
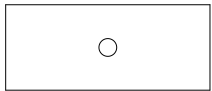
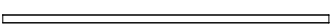
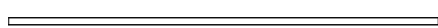
E1		x1		
F1		x1	F2	 x1

Installation steps

Step 10: The short backboard (C) and the long backboard (D) are stuck into the grooves of the vertical plate in the order shown in the figure, and the fixing rods G1 and G2 are put in between the upper and lower two backboards.

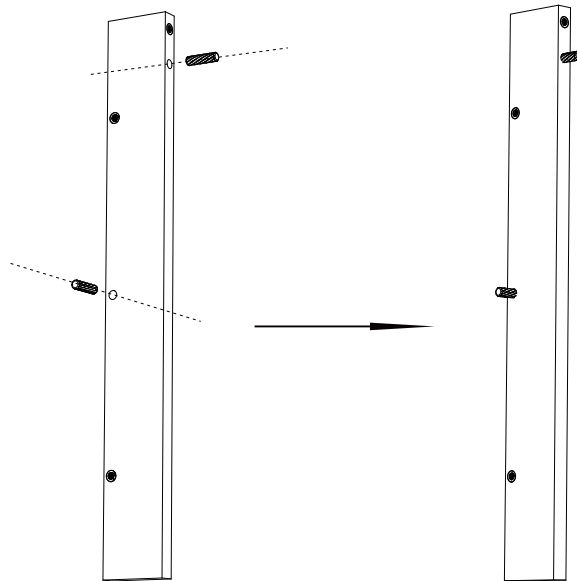
NOTE: The lower short and long back plates should snap into the grooves on the base plate.






C		x2	D		x2		
G1		H	x1	G2		H	x1

Installation steps

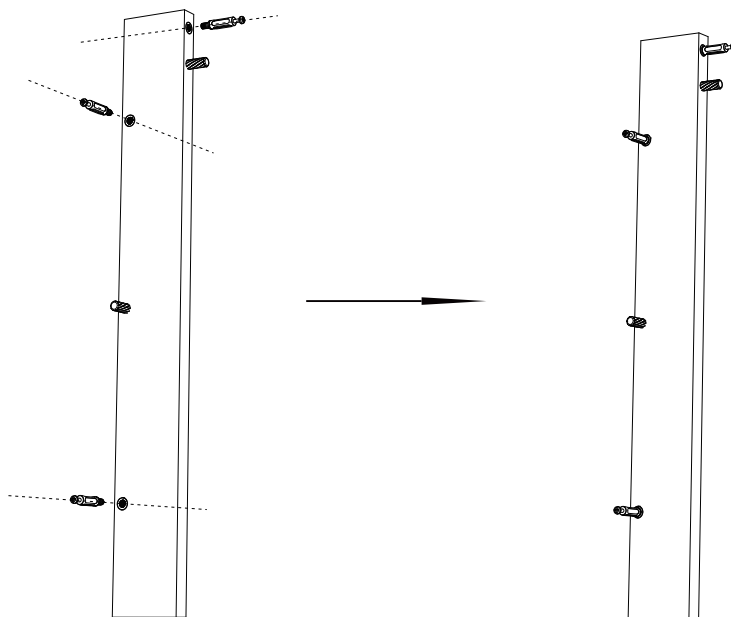
Step 11: Place the locating wood rods(T) into the holes in the door stopper(J1 and J2).



x2

J1		x1	J2		x1
T		x4			

Step 12: Screw the M7 screw(Q) into the expansion nut(R) until the threaded part is all the way in.



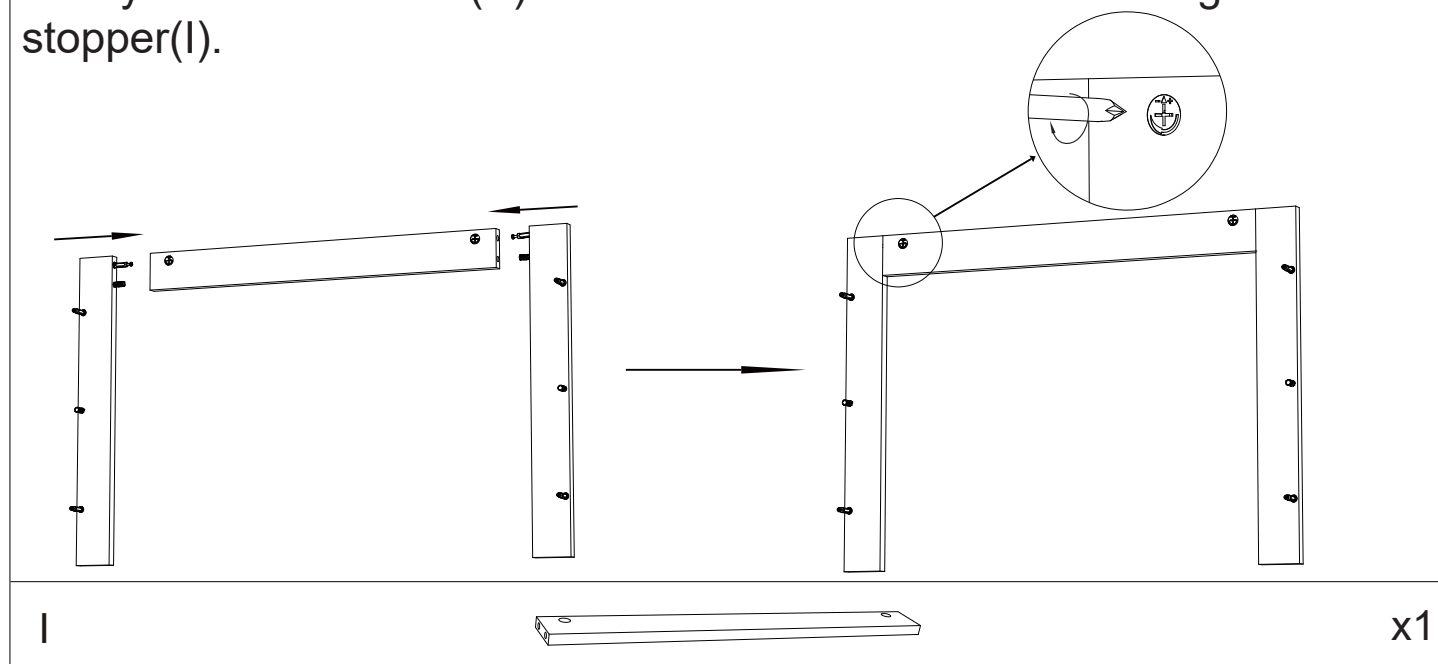
x2

Q		M7x40	x6
---	---	-------	----

Installation steps

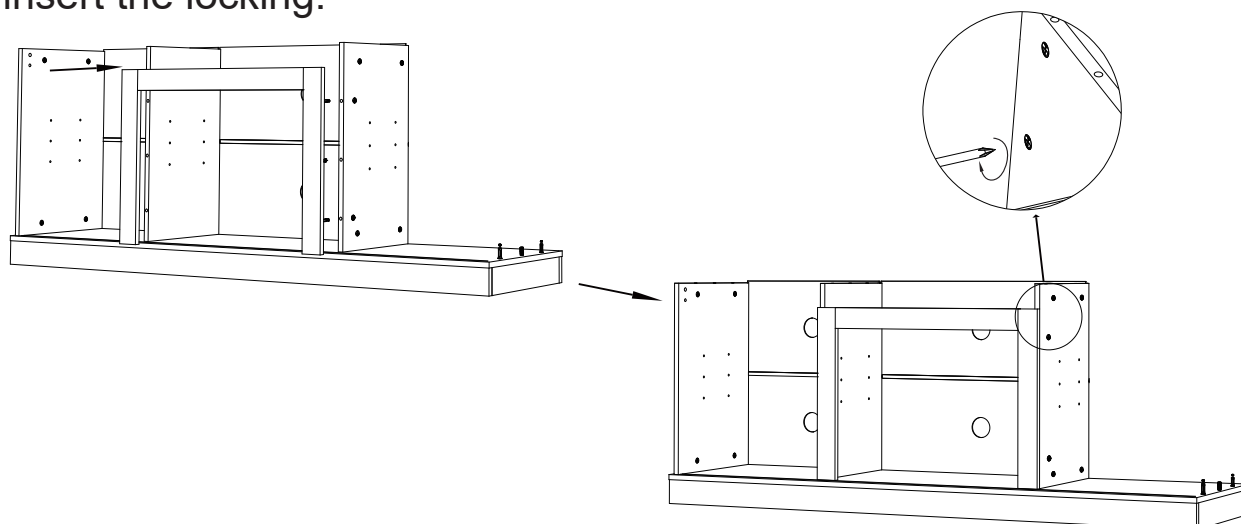
Step 13: Insert the screws(Q) and locating wooden rods(T) on the short door stopper(J1 and J2) against the holes on the long door stopper(I), then tighten the screws(S) with a screwdriver(X) to fix them.

NOTE: If the screw(Q) cannot be inserted into the long door stopper(I), slowly rotate the screw(S) until it can be inserted into the long door stopper(I).



Step 14: Insert the screws(Q) and locating wooden rods(T) on the short door stopper(J1 and J2) against the holes on the neutral plate(F1 and F2), then tighten the screws(S) with a screwdriver(X) to fix them.

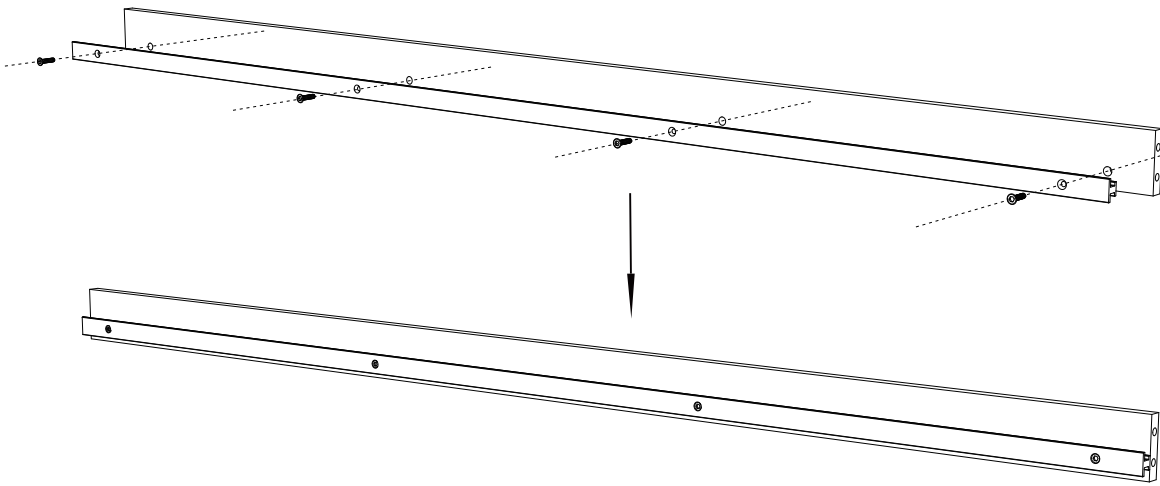
NOTE: If the screw(Q) cannot be inserted into the neutral plate(F1 and F2), slowly rotate the screw(S) until it can be inserted into the neutral plate(F1 and F2). If the door stopper(J1 and J2) cannot be easily inserted into the hole, you can adjust the screws under the neutral plate, gently lift the neutral plate, and insert the locking.


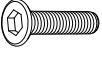



Installation steps

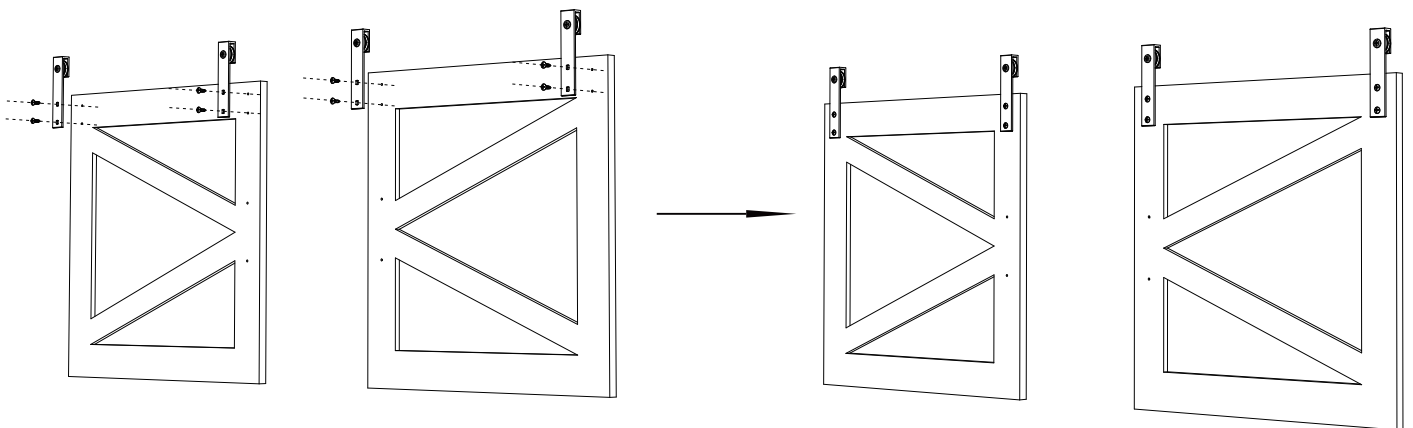
Step 15: Screw the track (B2) to the long upper stop (B1) with the M6 screw (U1).

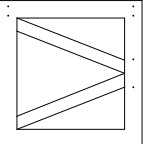
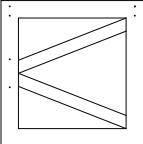
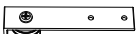

NOTE: Secure with Allen wrench (Y).



B1		x1	U1  x4 M6x25
B2		x1	

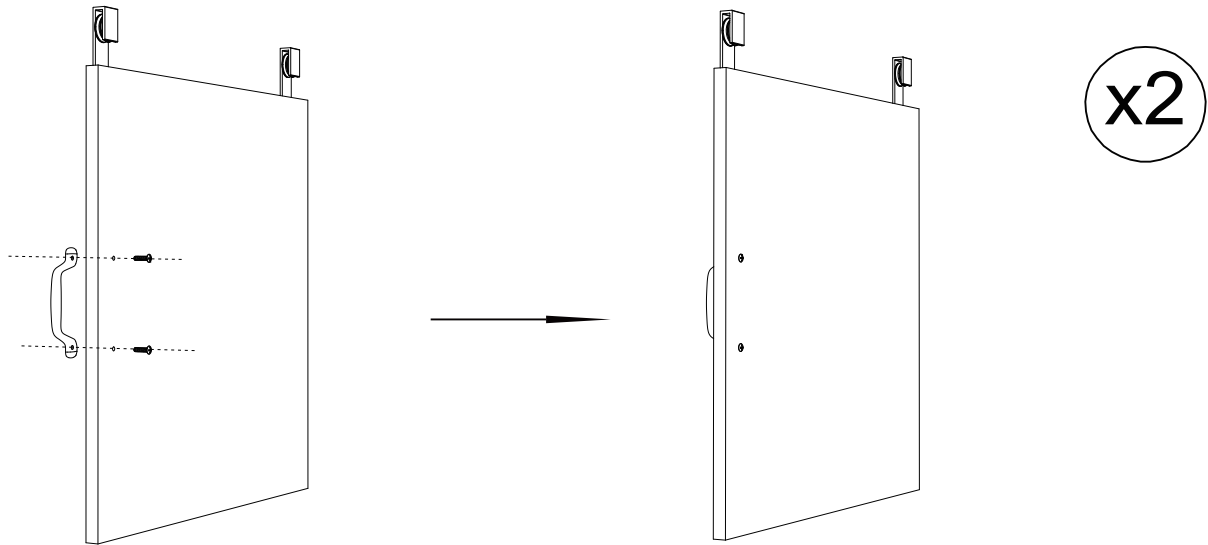
Step 16: Fasten the lifting rail connectors (P) to the left and right door panels (L1 and L2) with screws (U3).



L1		x1	L2		x1	P		x4	U3		x8	M3.5x15
----	---	----	----	---	----	---	--	----	----	---	----	---------

Installation steps

Step 17: Attach the doorknob(O) to the door panel(L1 and L2) with screws(U2).



O



x2

U2

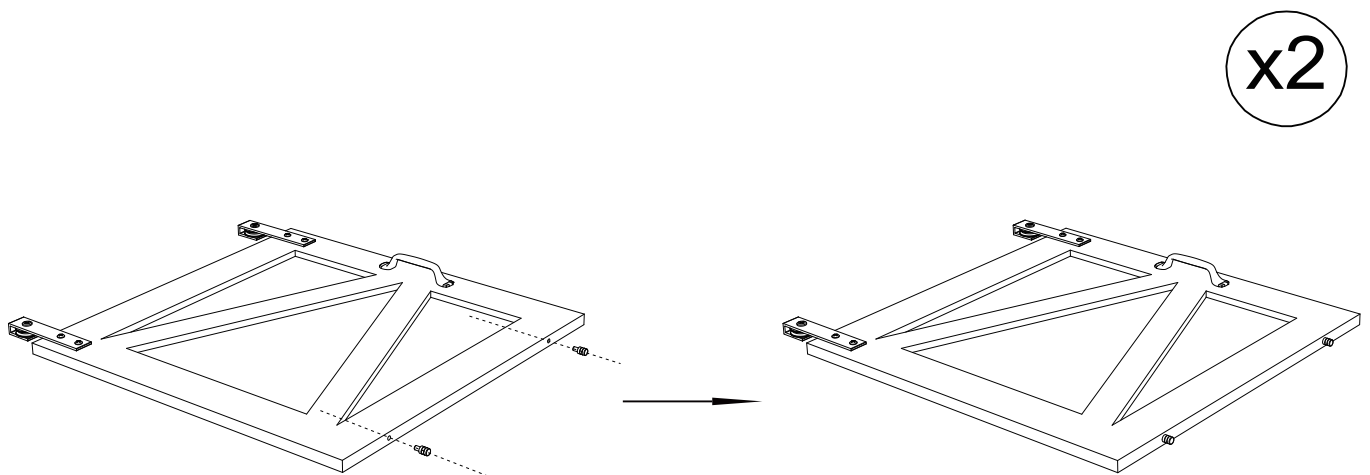


M4x18

x4

Step 18: Insert the metal locating post(W1) into the lower hole of the door panel(L1 and L2).

NOTE: Silicone cover on the surface of the metal locating post(W1).



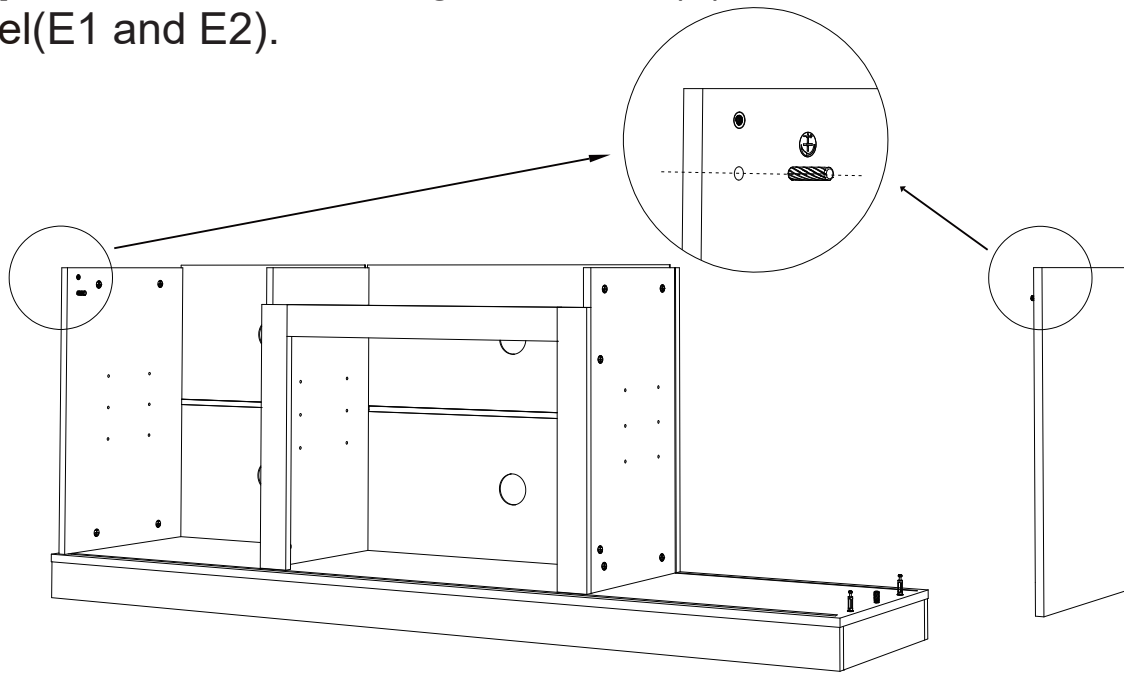
W1



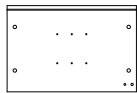
x4

Installation steps

Step 19: Place the locating wood rods (T) into the holes in the side panel (E1 and E2).



E2



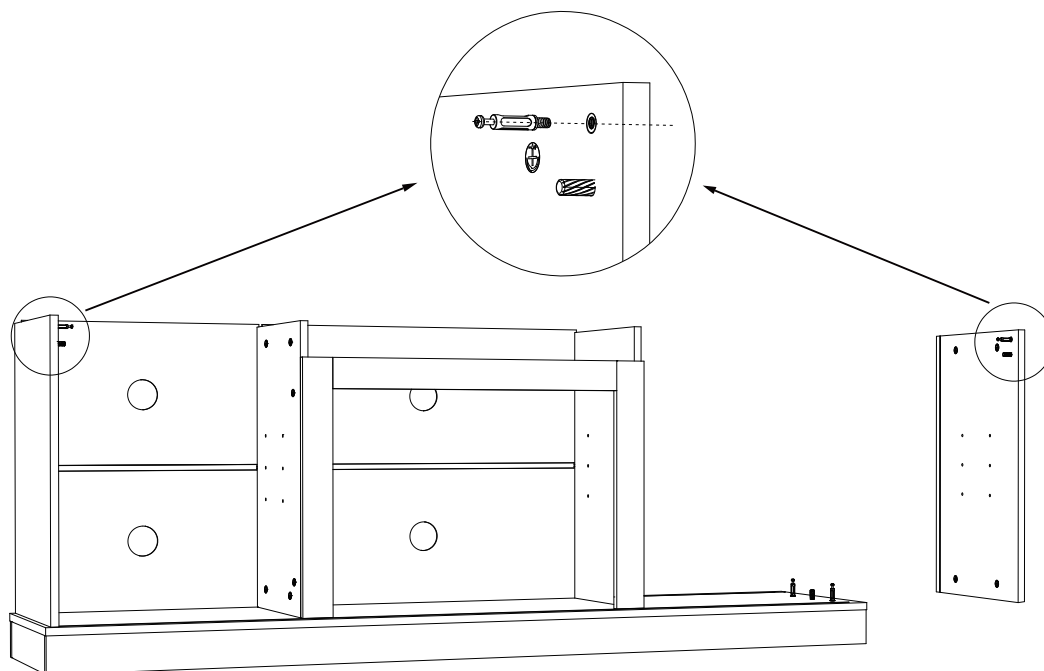
x1

T

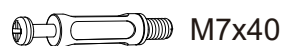


x2

Step 20: Screw the M7 screw (Q) into the expansion nut (R) until the threaded part is all the way in.



Q



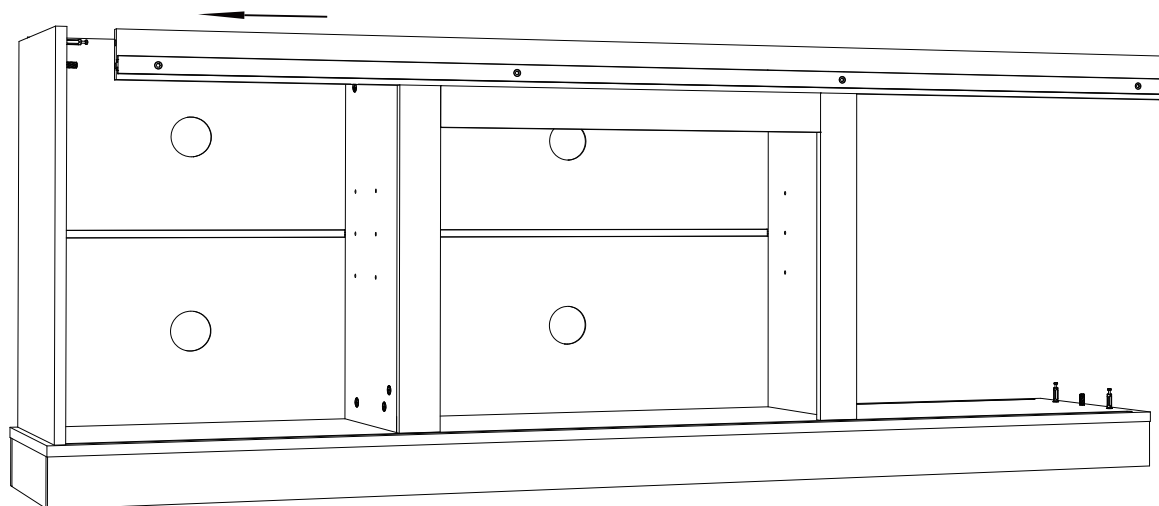
M7x40

x2

Installation steps

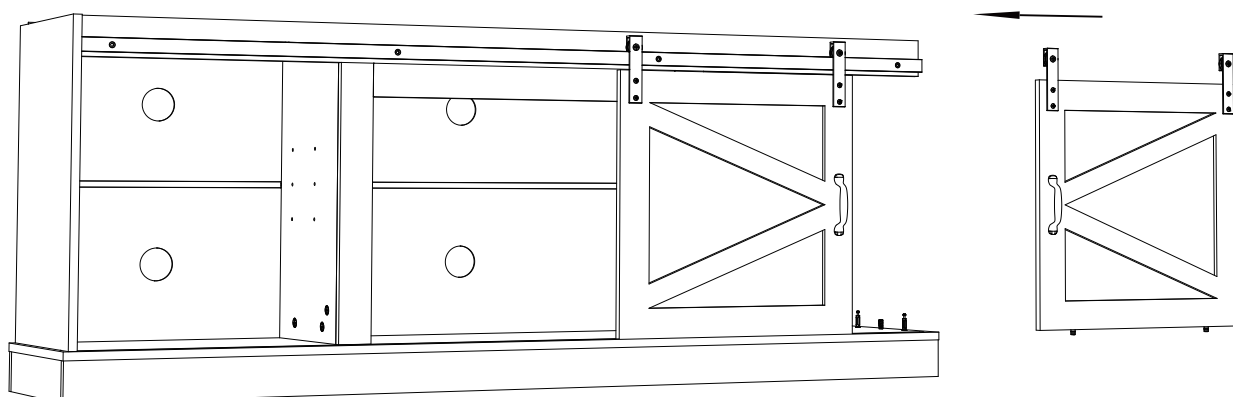
Step 21: Remove the right side plate (E2), then insert the holes on the left side of the long upper baffle (B1 and B2) against the screws (Q) and locating wood rods (T) on the left side plate (E1), so that the long upper baffle (B1 and B2) and the riser plate fit together.

NOTE: This step requires another person to hold the left side panel and the long upper baffle.



Step 22: Insert the metal locating rods (W1) under the left and right door panels (L1 and L2) in turn, aligning them with the grooves above the base plate (K), and slide the pulleys on the lifting rail connectors (P) into the tracks.

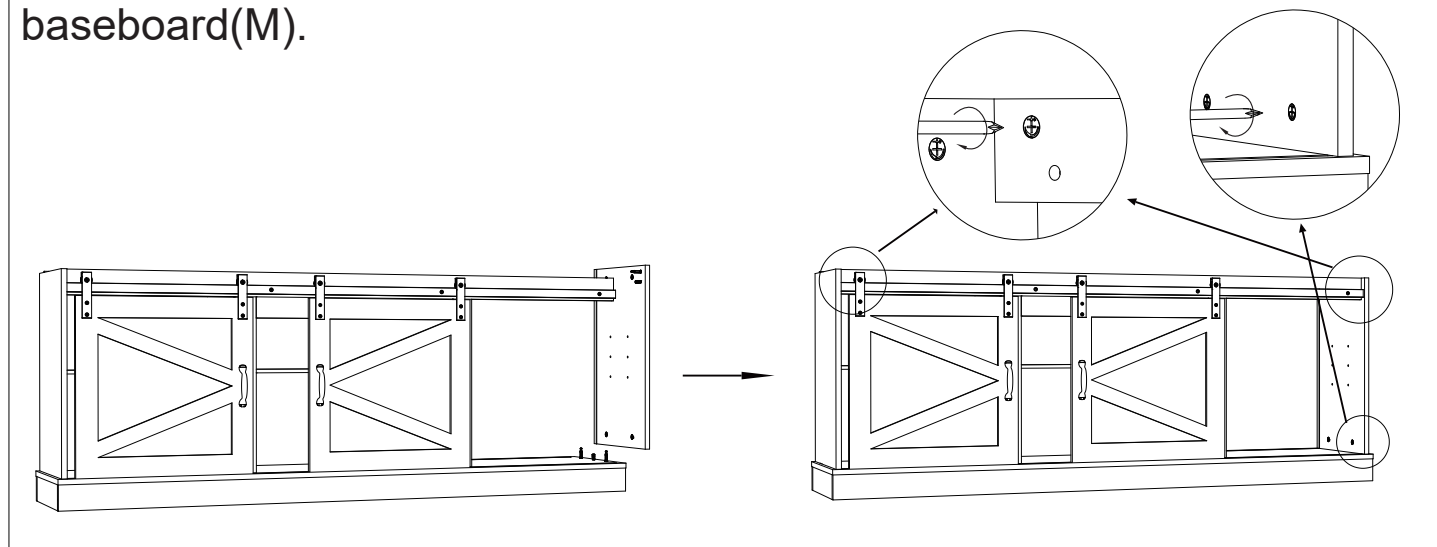
NOTE: This step requires another person to hold the left side panel and the long upper baffle.



Installation steps

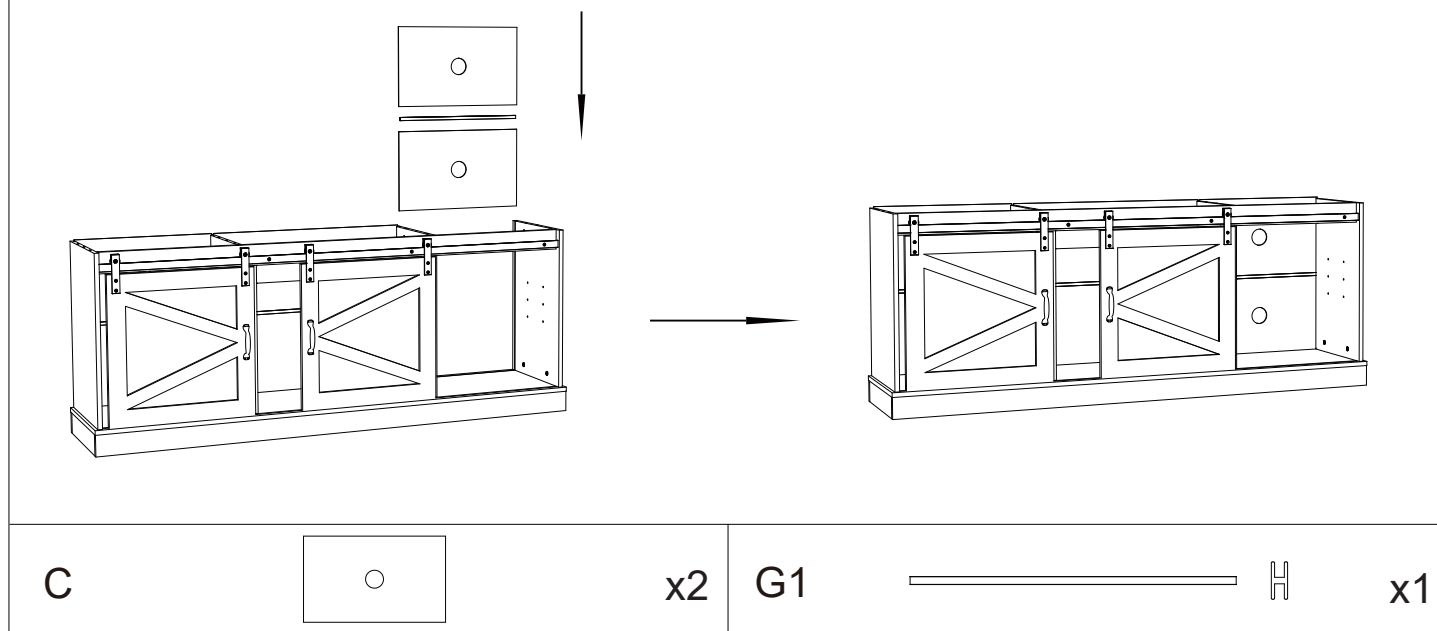
Step 23: Align the holes in the right side plate (E2) with the screws (Q) and locating wood rods (T) inserted in the long upper baffle (B1) and the base plate (K), and use a screwdriver (X) to tighten the screws (S) on the back of the long upper baffle (B1) and the screws (S) on the right side plate (E2).

NOTE: If the screw (Q) cannot be inserted into the short baseboard (M), slowly rotate the screw (S) until it can be inserted into the short baseboard (M).



Step 24: Insert the short backing plate (C) into the groove of the vertical plate in the order shown in the figure and place the retaining bar G1 between the upper and lower backing plates.

NOTE: The lower short backing plate should snap into the groove in the base plate.

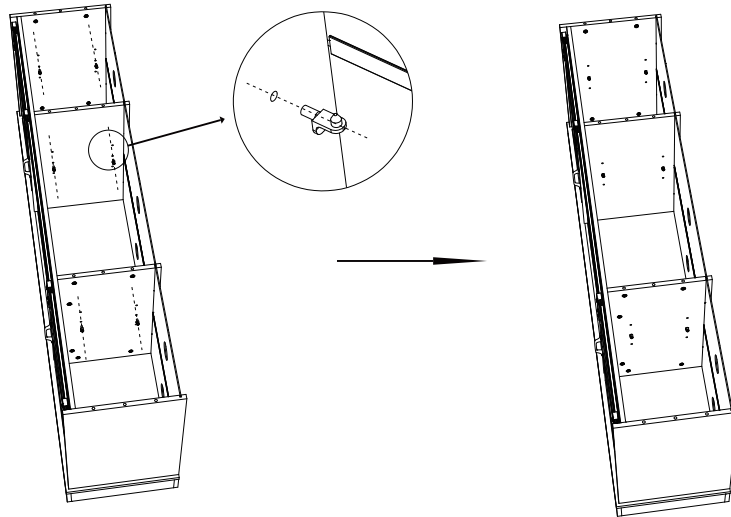


Installation steps

IF YOU WANT TO INSTALL AN ELECTRIC FIREPLACE, SKIP TO THE INSTALLATION STEPS ON PAGE 25.

Step 25: Select the appropriate height of the holes in the vertical plate (E1,E2,F1,F2) and tuck the support tabs(W2) into the holes.

NOTE: Pointed positioning post facing up.



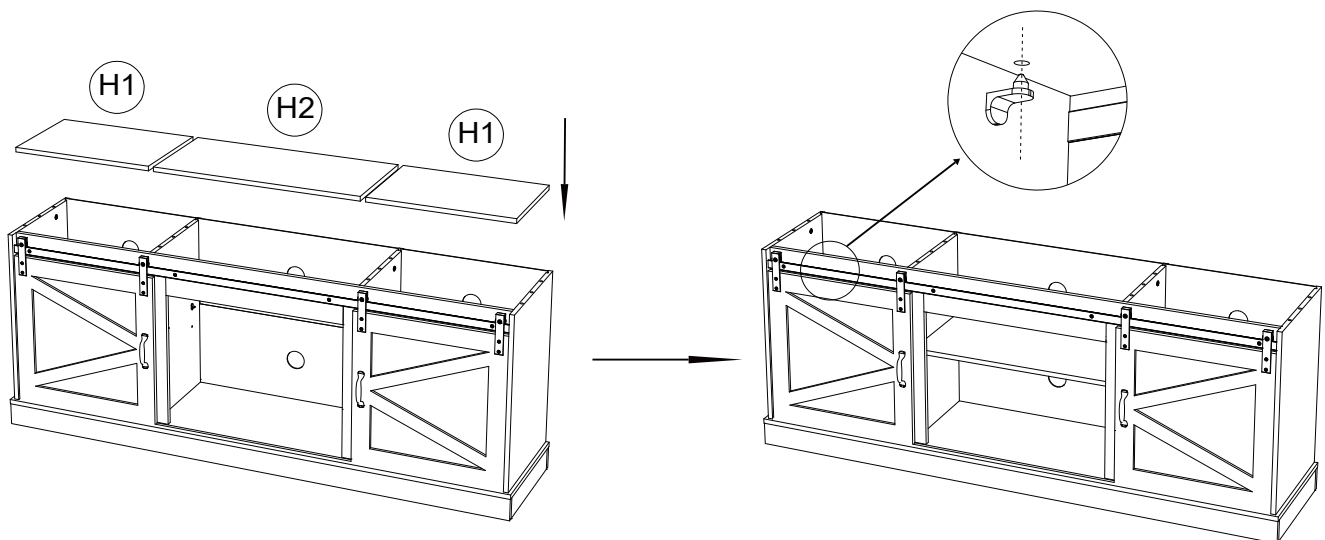
W2



x12

Step 26: Place the short bulkhead(H1) and long bulkhead(H2) on the support piece(W2).

NOTE: Spiked locating posts inserted into holes on the back of the bulkhead(H2).



H1



x2

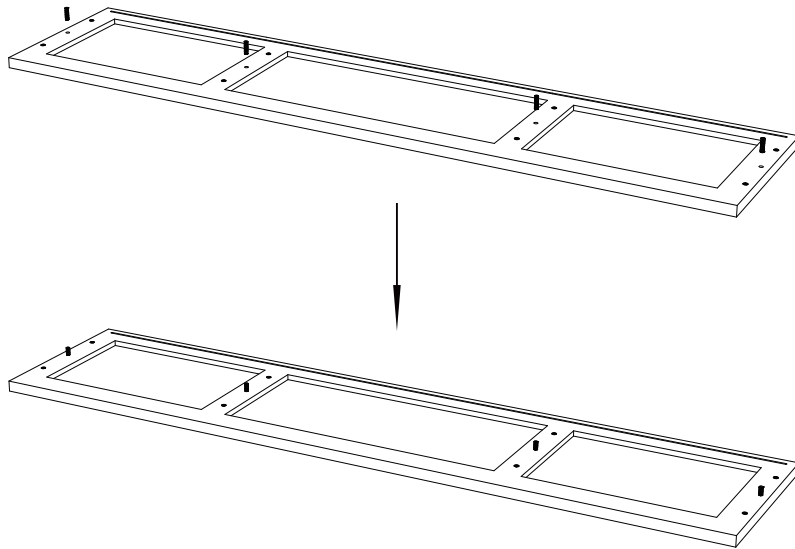
H2



x1

Installation steps

Step 27: Place the locating wood rods (T) into the holes in the top plate (A).



A



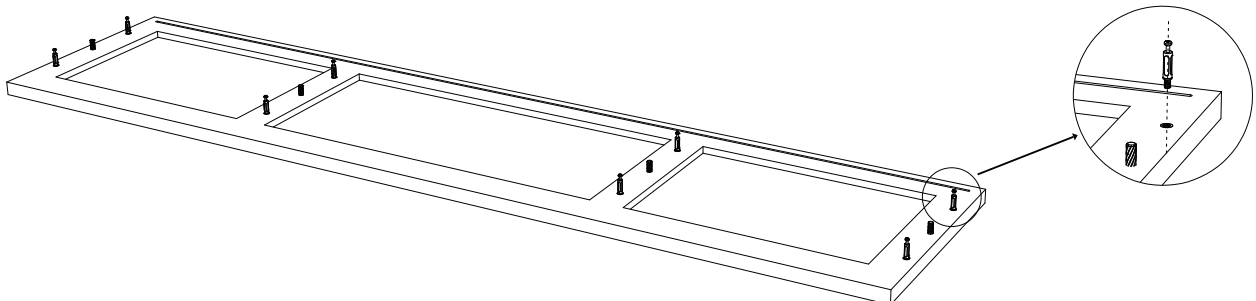
x1

T



x4

Step 28: Screw the M7 screw (Q) into the expansion nut (R) until the threaded part is all the way in.



Q



M7x40

x8

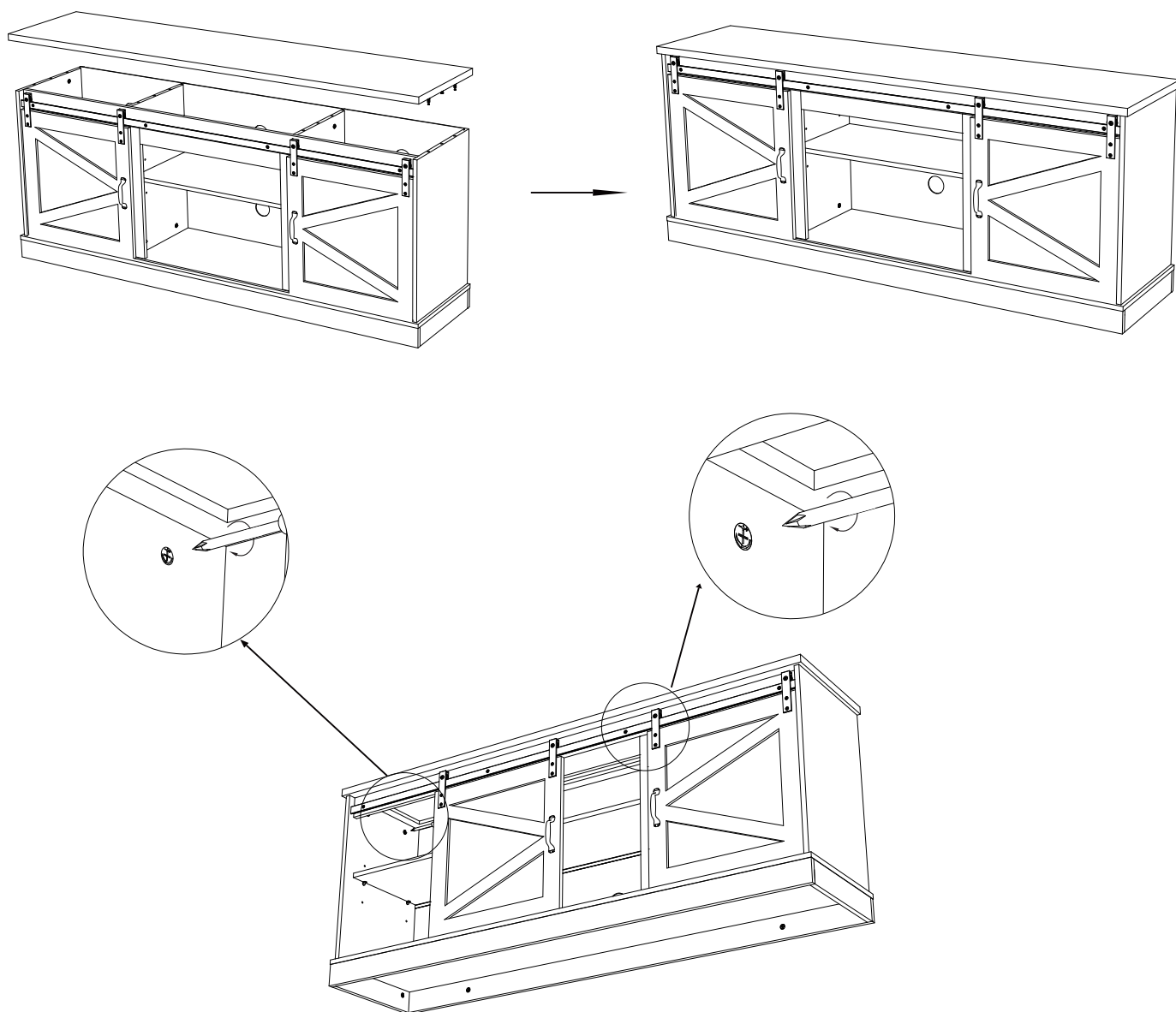
Installation steps

Step 29: Insert the screws(Q) and locating wood rods(T) on the top plate (A) against the holes on the vertical plate(E1,E2,F1,F2) and tighten the screws(S) on the vertical plate(E1,E2,F1,F2) with a screwdriver(X).

NOTE: The side of the top panel with the notch is the back of the TV stand, and you need to snap the back panel into the notch.

This step requires the help of another person to slowly adjust the position of the riser so that the screws and locating wooden rods are inserted into the holes.

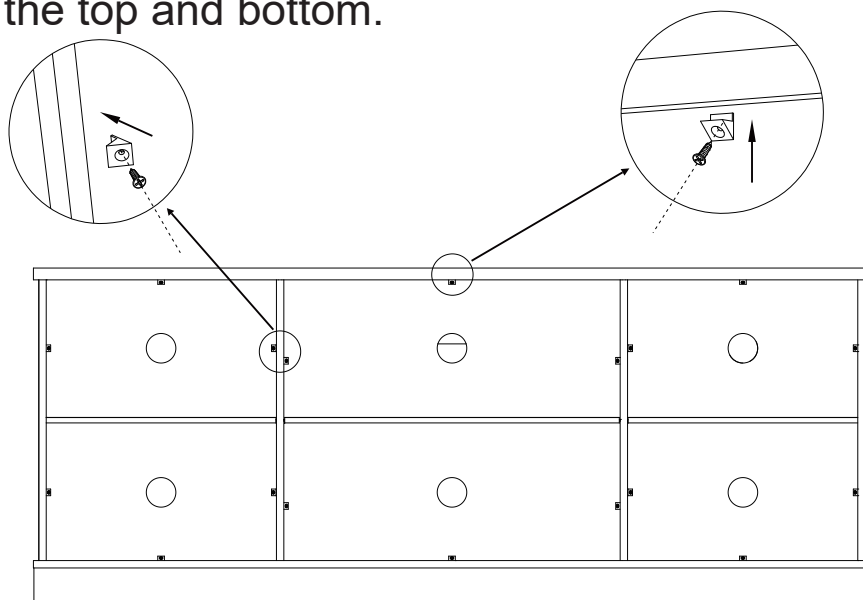
If the screw(Q) cannot be inserted into the vertical plate(E1,E2,F1,F2), slowly rotate the screw(S) until it can be inserted into the vertical plate (E1,E2,F1,F2).



Installation steps

Step 30: Insert the stopper(V) into the gap at the edge of the back panel (C and D) on the back of the TV stand and secure it by tightening it with screws(U4) from forty-five degrees.

NOTE: The stoppers(V) on the neutral plate(F1 and F2) need to be staggered at the top and bottom.



V



x18

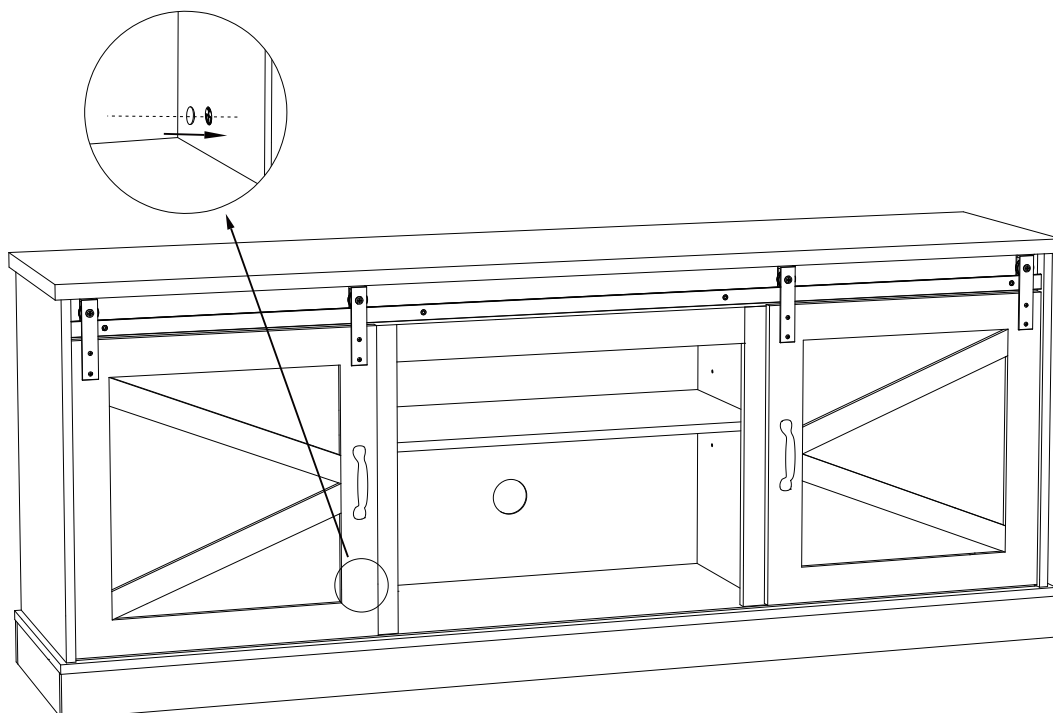
U4



M3.5x14

x18

Step 31: Check that all the screws are tight, put all the screw holes with masking paste(Z) and start using the TV stand.



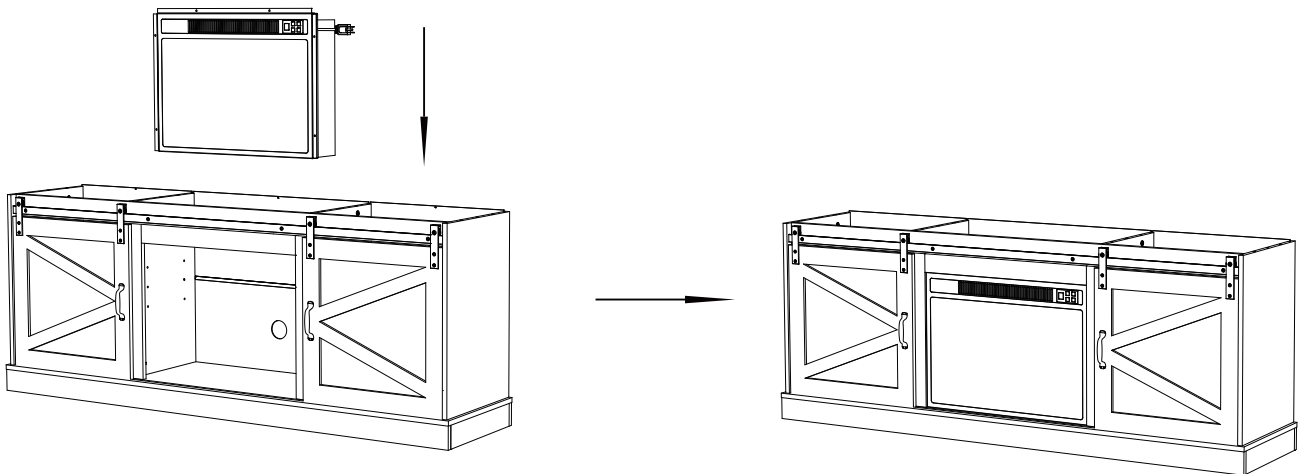
Z



x36

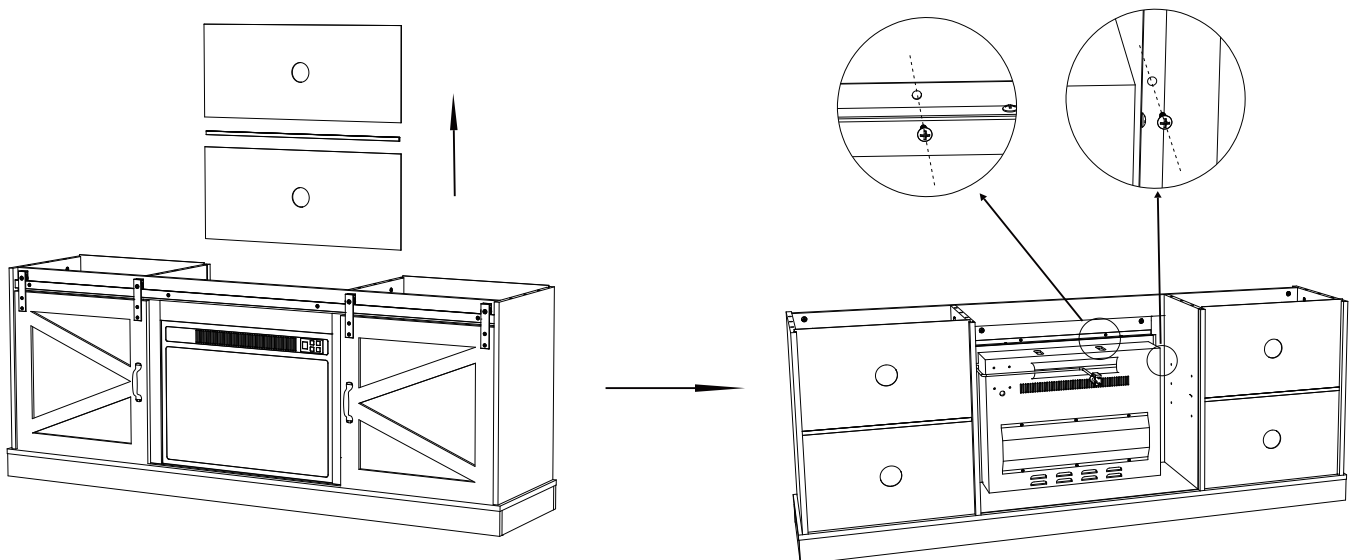
How To Assemble Electronic Fireplace

Step 1: Place the electric fireplace in the center of the TV stand.



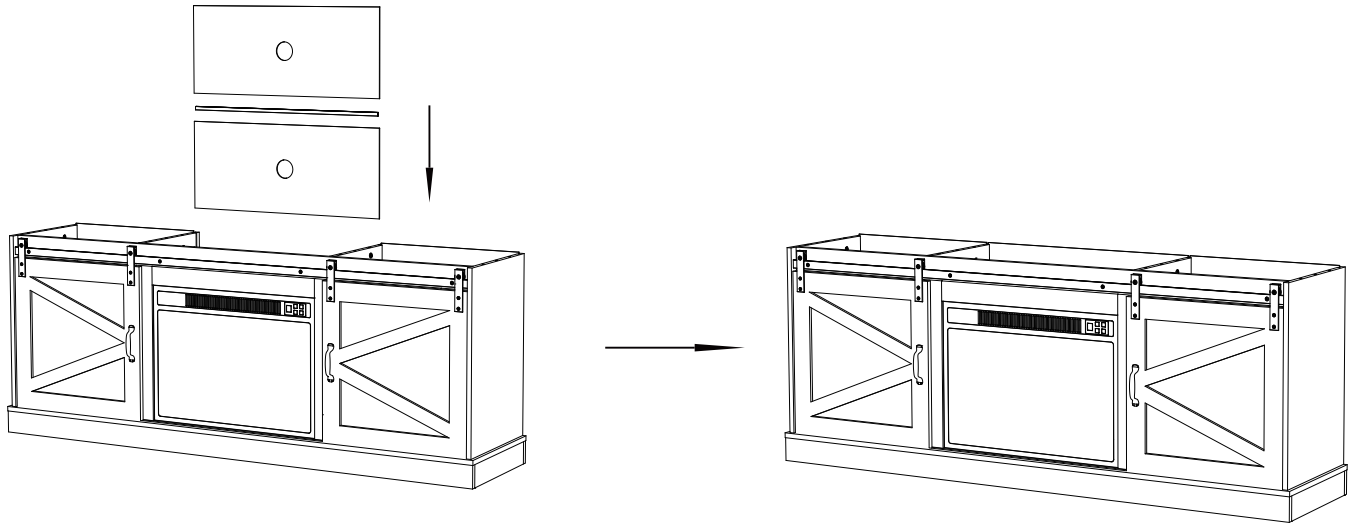
Step 2: Remove the long backplate (D) and secure the electric fireplace to the door stopper (I, J1 and J2) with screws.

NOTE: The screws needed for this step are inside the box containing the electric fireplace.

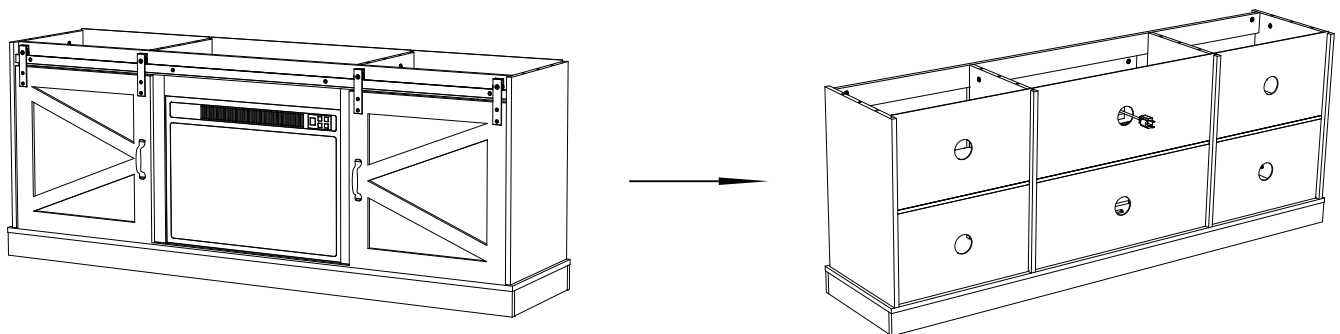


Installation steps

Step 3: Reposition the long backplate(D) and fixing rods(G2) into the recess.



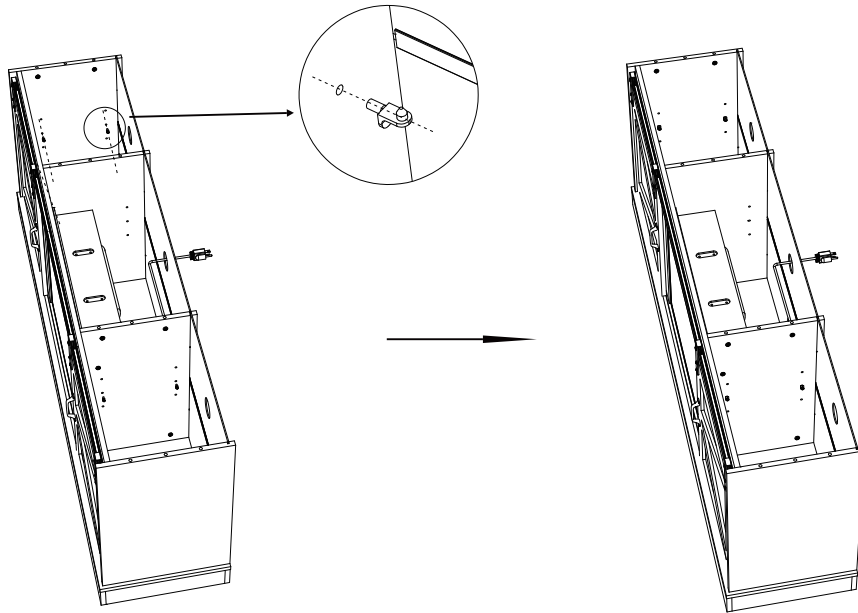
Step 4: Remove the plug for the electric fireplace from the round hole in the middle of the long backplate (D).



Installation steps

Step 5: Select the appropriate height of the holes in the vertical plate (E1,E2,F1,F2) and tuck the support tabs(W2) into the holes.

NOTE: Pointed positioning post facing up. The hole in the center on the side of the electric fireplace does not hold a support tabs(W2).



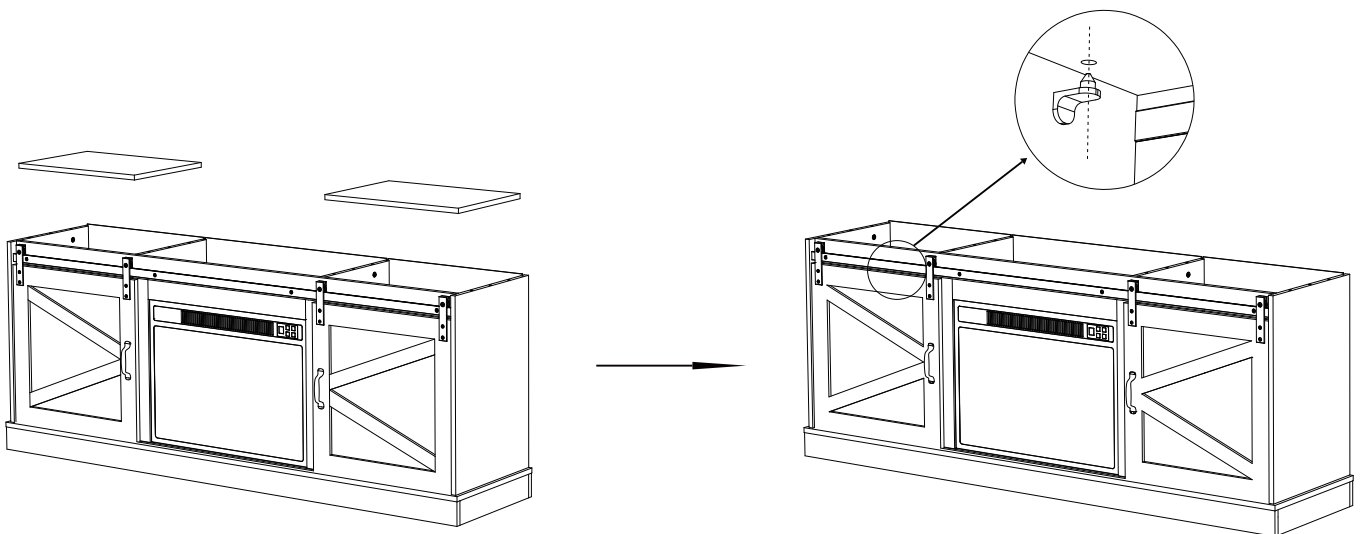
W2



x8

Step 6: Place the short bulkhead(H1) on the support piece(W2).

NOTE: Long bulkhead(H2) is redundant, won't use it again. Spiked locating posts inserted into holes on the back of the bulkhead(H2).



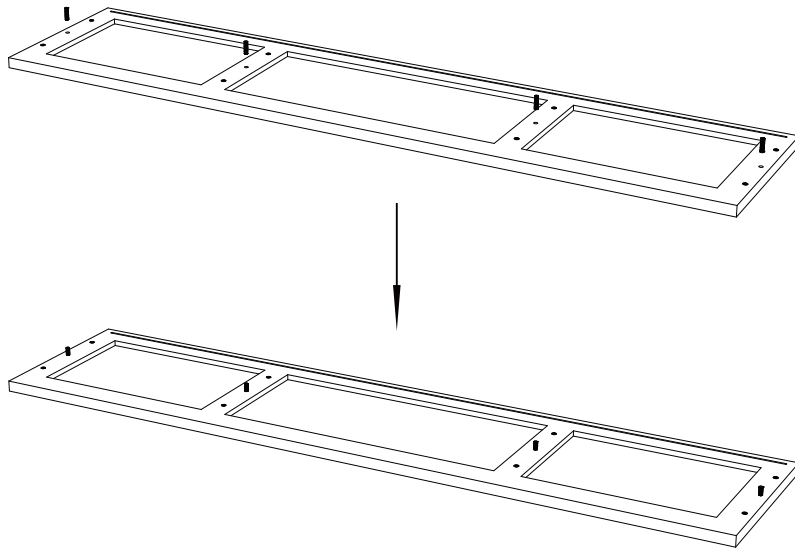
H1



x2

Installation steps

Step 7: Place the locating wood rods (T) into the holes in the top plate (A).



A



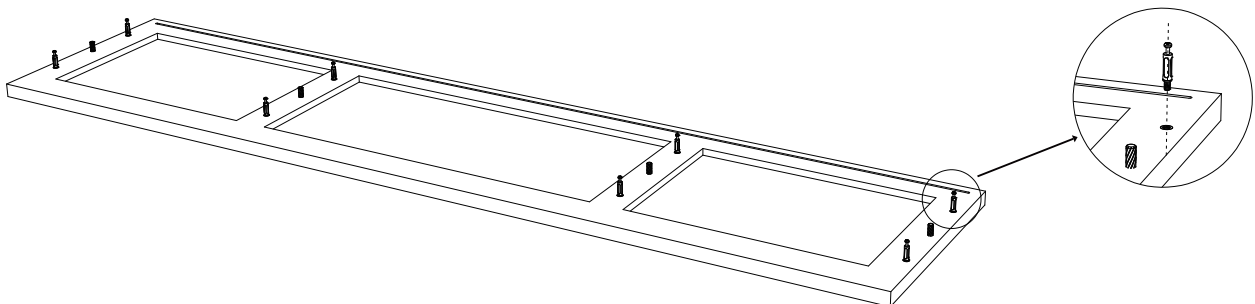
x1

T



x4

Step 8: Screw the M7 screw (Q) into the expansion nut (R) until the threaded part is all the way in.



Q



M7x40

x8

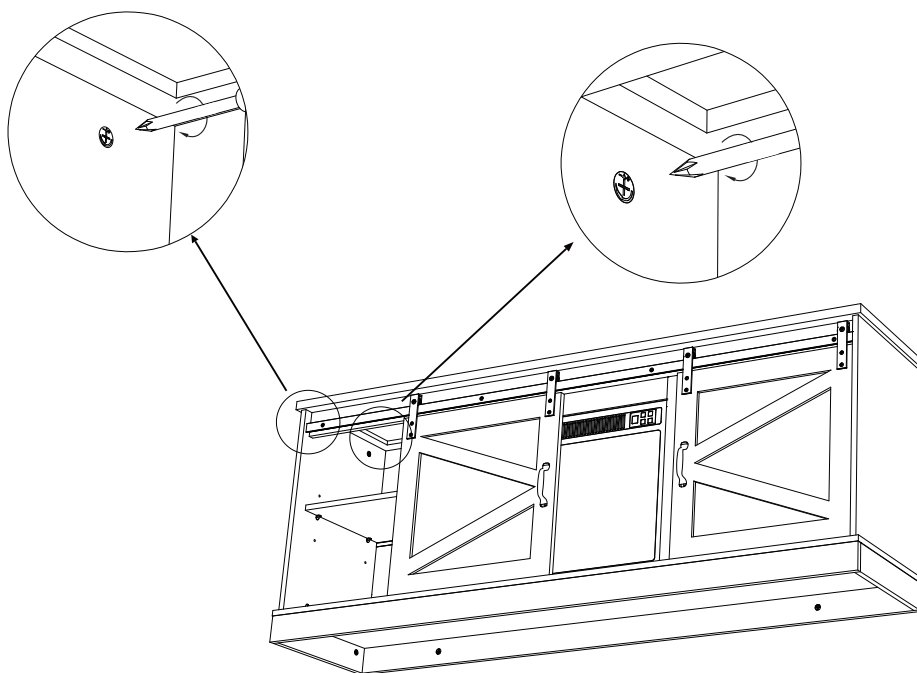
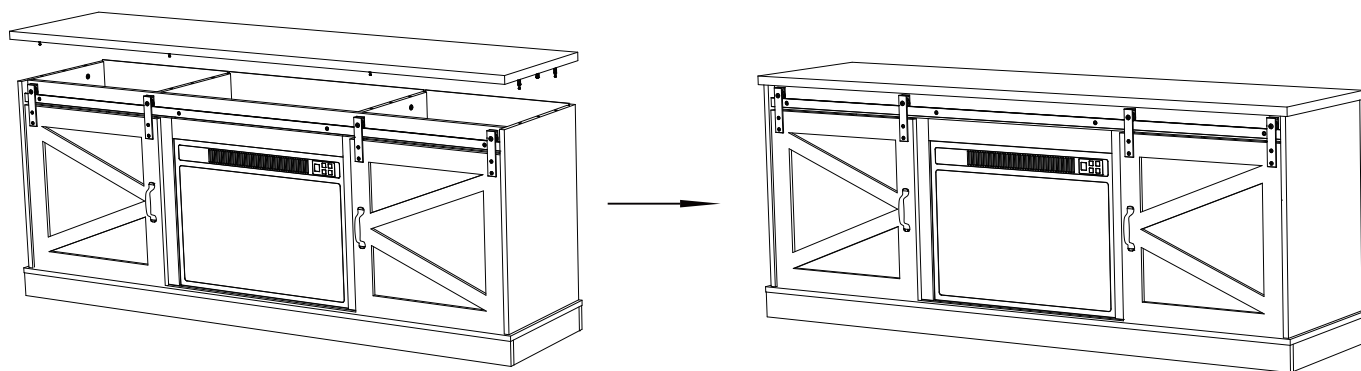
Installation steps

Step 9: Insert the screws(Q) and locating wood rods(T) on the top plate (A) against the holes on the vertical plate(E1,E2,F1,F2) and tighten the screws(S) on the vertical plate(E1,E2,F1,F2) with a screwdriver(X).

NOTE: The side of the top panel with the notch is the back of the TV stand, and you need to snap the back panel into the notch.

This step requires the help of another person to slowly adjust the position of the riser so that the screws and locating wooden rods are inserted into the holes.

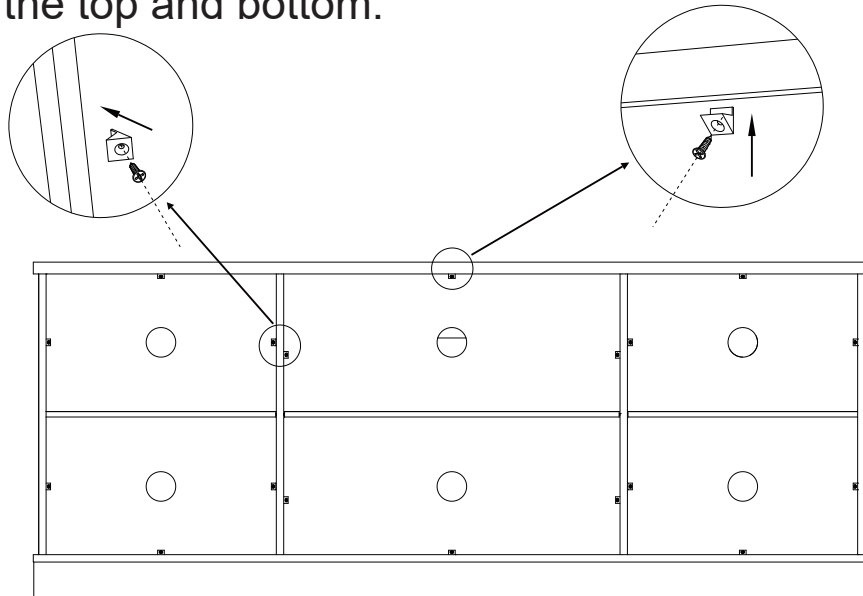
If the screw(Q) cannot be inserted into the vertical plate(E1,E2,F1,F2), slowly rotate the screw(S) until it can be inserted into the vertical plate (E1,E2,F1,F2).



Installation steps

Step 10: Insert the stopper(V) into the gap at the edge of the back panel (C and D) on the back of the TV stand and secure it by tightening it with screws(U4) from forty-five degrees.

NOTE: The stoppers(V) on the neutral plate(F1 and F2) need to be staggered at the top and bottom.



V



x18

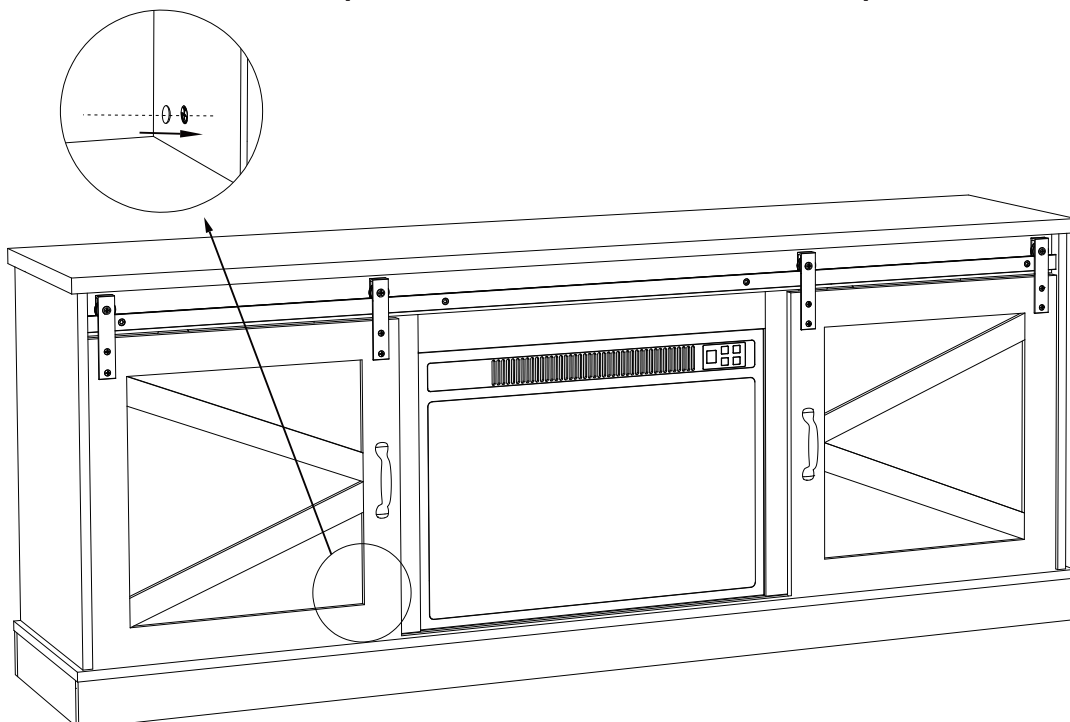
U4



M3.5x14

x18

Step 11: Check all the screws, put all the screw holes with masking paste(Z) and connect the power to the electronic fireplace and start using it!



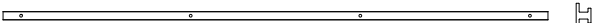
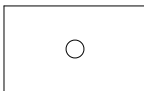
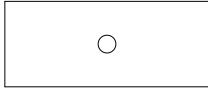
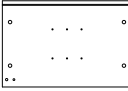
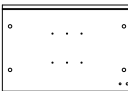
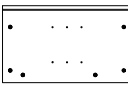
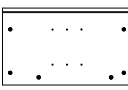
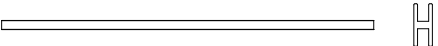
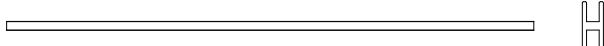







Z




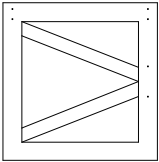
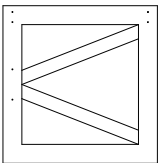
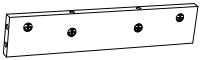
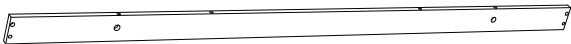
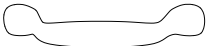
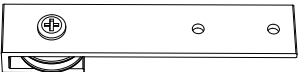
x36

LISTE DES PARTIES




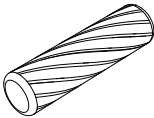
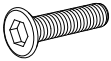
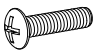


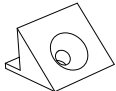
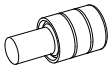
Liste des pièces			
Pièces	Icône	Description	Qté
A		Plaque supérieure	1 PC
B1		Long déflecteur supérieur	1 PC
B2		Voie ferrée	1 PC
C		Carte-mère courte	4 PCS
D		Carte-mère longue	2 PCS
E1		Panneau latéral gauche	1 PC
E2		Panneau latéral droit	1 PC
F1		Plaque neutre gauche	1 PC
F2		Plaque neutre droite	1 PC
G1		Barre de fixation courte	2 PCS
G2		Barre de fixation longue	1 PC
H1		Cloison courte	2 PCS
H2		Cloison longue	1 PC
I		Long stoppeur de porte	1 PC
J1		Butoir de porte gauche	1 PC
J2		Butoir de porte droit	1 PC

LISTE DES PARTIES

Liste des pièces

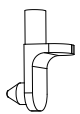

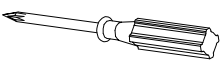

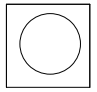
Pièces	Icône	Description	Qté
K		Plaque de base	1 PC
L1		Panneau de porte gauche	1 PC
L2		Panneau de porte droit	1 PC
M		Plinthe courte	2 PCS
N		Plinthe longue	2 PCS
O		Poignée de porte	2 PCS
P		Connecteurs de rails de levage	4 PCS

Liste des jeux de vis




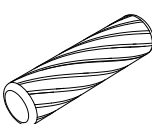
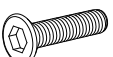
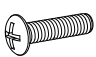
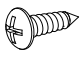

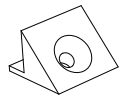
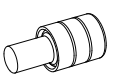


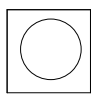
<p>Q</p>  <p>M7x40</p> <p>36 PCS</p>	<p>R</p>  <p>M7 nuts</p> <p>—</p>	<p>S</p>  <p>M15x11</p> <p>—</p>	<p>T</p>  <p>Φ8x30</p> <p>22 PCS</p>	<p>U1</p>  <p>M6x25</p> <p>4 PCS</p>
<p>U2</p>  <p>M4x18</p> <p>4 PCS</p>	<p>U3</p>  <p>M3.5x15</p> <p>8 PCS</p>	<p>U4</p>  <p>M3.5x14</p> <p>18 PCS</p>	<p>V</p>  <p>Bouchon</p> <p>18 PCS</p>	<p>W1</p>  <p>Poteau de repérage en métal</p> <p>4 PCS</p>

LISTE DES PARTIES

Liste des pièces

<p>(W2)</p>  <p>Onglets de soutien</p> <p>12 PCS</p>	<p>(W3)</p>  <p>Repose-pieds</p> <p>12 PCS</p>	<p>(X)</p>  <p>Tournevis</p> <p>1 PC</p>	<p>(Y)</p>  <p>Clé Allen M6</p> <p>1 PC</p>	<p>(Z)</p>  <p>Pâte à masquer</p> <p>36 PCS</p>
---	---	---	--	--

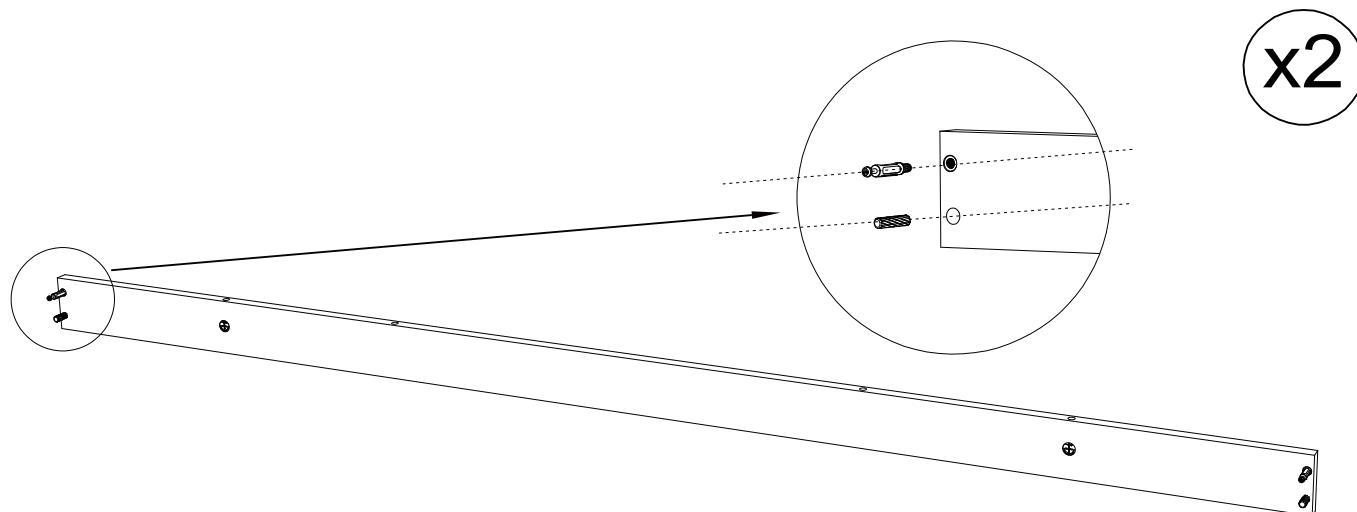
Extra (Liste des jeux de vis)

<p>(Q)</p>  <p>M7x40</p> <p>4 PCS</p>	<p>(R)</p>  <p>M7 nuts</p> <p>4 PCS</p>	<p>(S)</p>  <p>M15x11</p> <p>4 PCS</p>	<p>(T)</p>  <p>Φ8x30</p> <p>4 PCS</p>	<p>(U1)</p>  <p>M6x25</p> <p>1 PC</p>
<p>(U2)</p>  <p>M4x18</p> <p>1 PC</p>	<p>(U3)</p>  <p>M3.5x15</p> <p>2 PCS</p>	<p>(U4)</p>  <p>M3.5x14</p> <p>4 PCS</p>	<p>(V)</p>  <p>Bouchon</p> <p>2 PCS</p>	<p>(W1)</p>  <p>Poteau de repérage en métal</p> <p>1 PC</p>
<p>(W2)</p>  <p>Onglets de soutien</p> <p>2 PCS</p>	<p>(W3)</p>  <p>Repose-pieds</p> <p>2 PCS</p>	<p>(Z)</p>  <p>Pâte à masquer</p> <p>4 PCS</p>		

Comment assembler un meuble TV

Étape 1: Visser la vis M7 (Q) dans l'écrou à expansion (R) jusqu'à ce que la partie filetée soit complètement enfoncée.

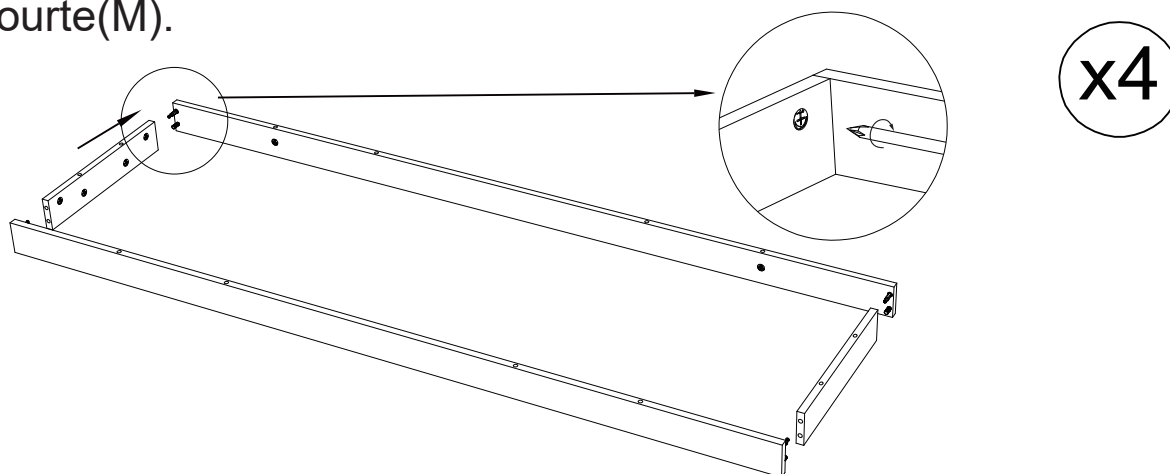
NOTE: Le trou supérieur accueille les écrous d'expansion (R).



N  x2 Q  M7x40 x4 T  x4

Étape 2: Insérer les trous latéraux de la plinthe courte (M) contre les vis (Q) et les tiges de positionnement (T) de la plinthe longue (N) et serrer les vis de la plinthe courte (M) dans le sens des aiguilles d'une montre à l'aide d'un tournevis.

NOTE: Si la vis (Q) ne peut pas être insérée dans la plinthe courte (M), tourner lentement la vis (S) jusqu'à ce qu'elle puisse être insérée dans la plinthe courte (M).

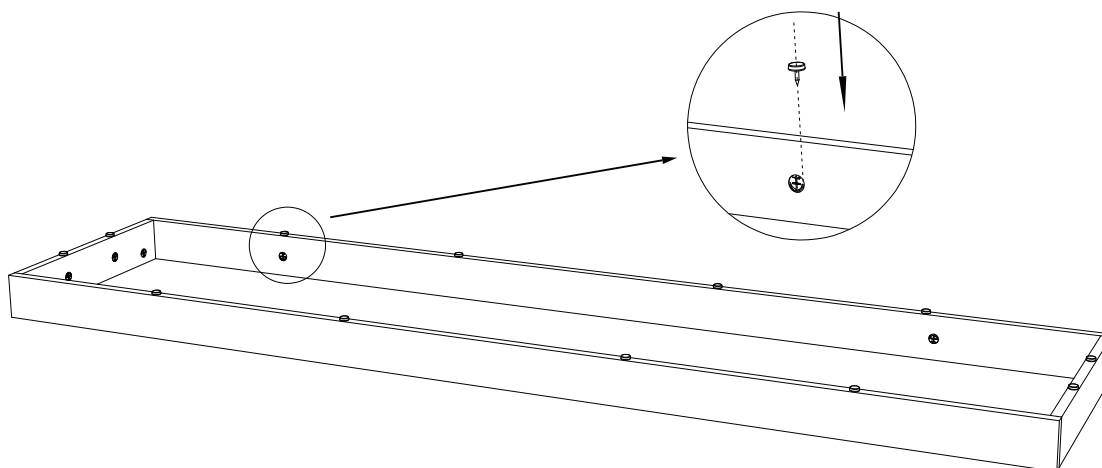


M  x2

Étapes de l'installation

Étape 3: Choisissez le bon espacement et clouez le repose-pieds (W3) dans le côté de la plinthe (M et N) qui n'est pas au sol.

NOTE: En maintenant le repose-pieds (W3) perpendiculaire à la plinthe (M et N), les clouer lentement et soigneusement.



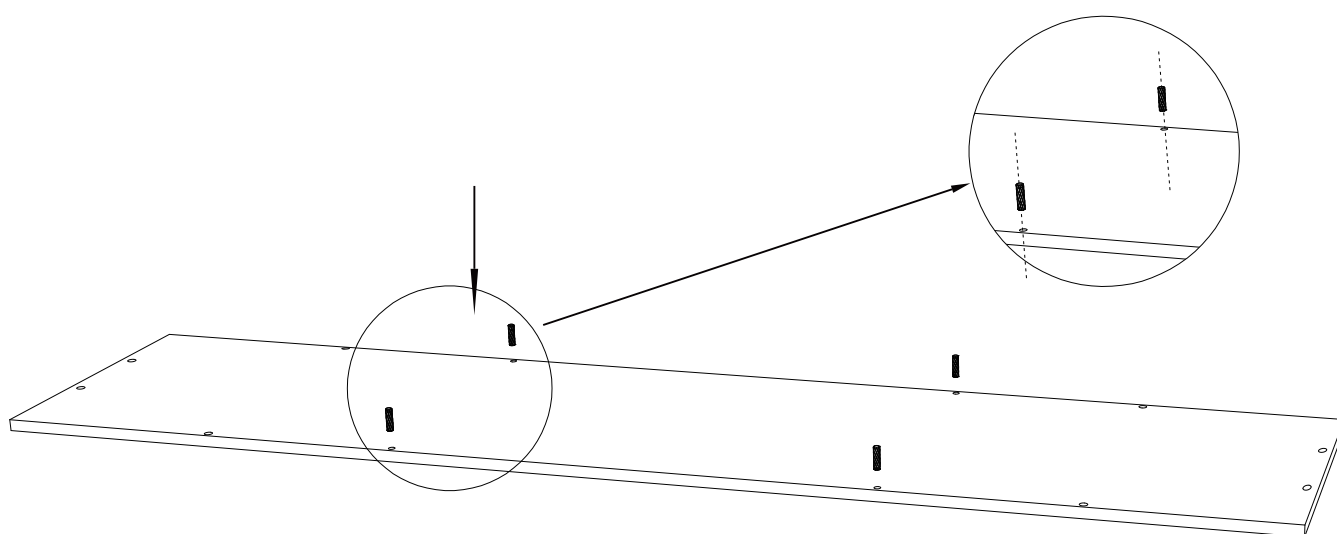
W3



x12

Étape 4: Placer les tiges de bois de positionnement (T) dans les trous de la plaque de base (K).

NOTE: Les trous se trouvent au dos de la plaque de base (K).



K



x1

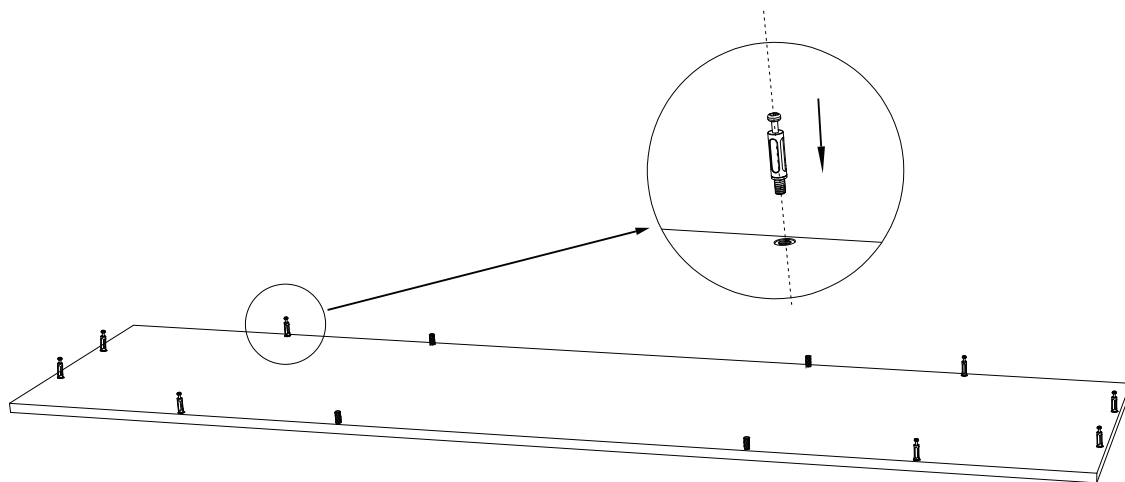
T



x4

Étapes de l'installation

Étape 5: Visser la vis M7 (Q) dans l'écrou d'expansion (R) jusqu'à ce que la partie filetée soit complètement enfoncée.



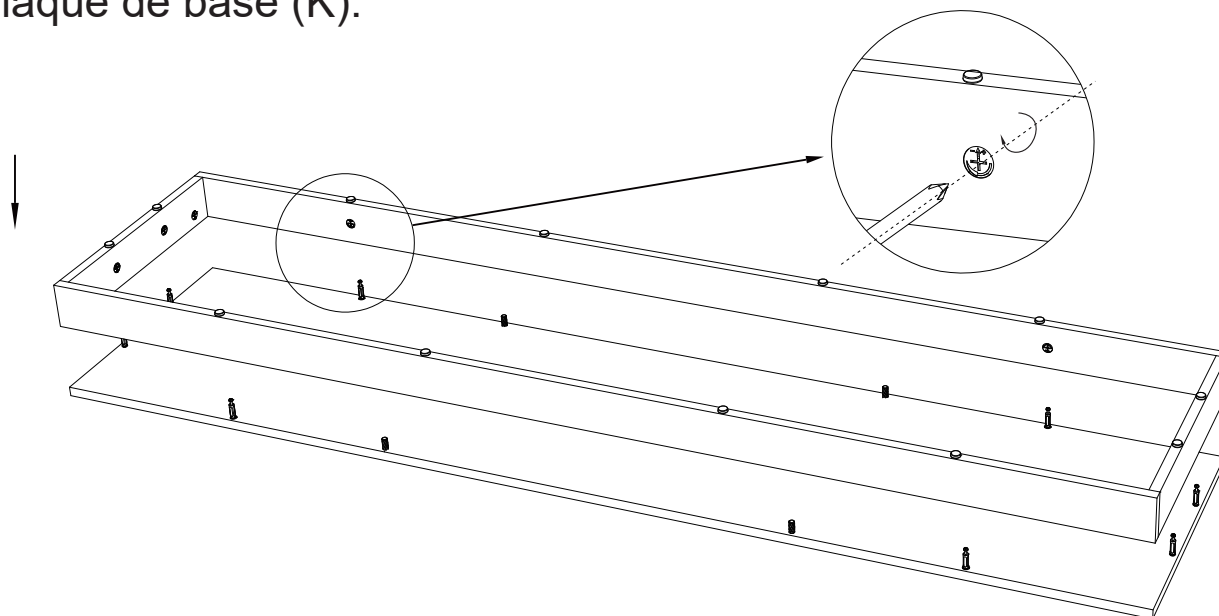
Q

 M7x40

x8

Étape 6: Insérer le cadre de la plinthe avec les trous orientés vers le bas, alignés avec les vis (Q) et les tiges de bois de positionnement (T) sur la plaque de base (K).

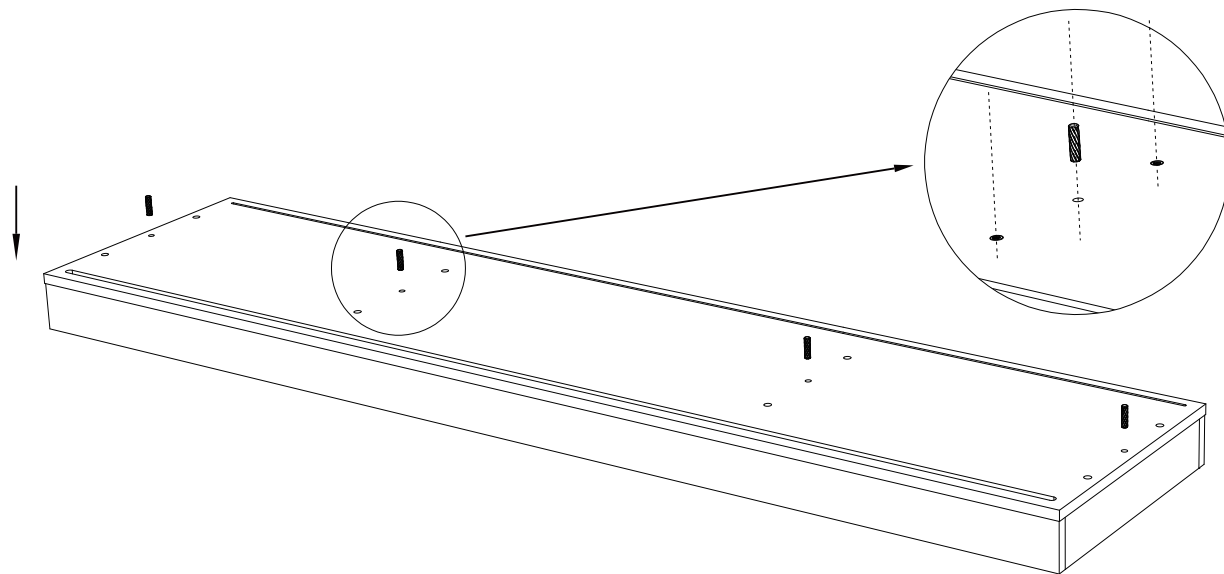
NOTE: Si la vis (Q) ne peut être insérée dans la plaque de base (K), tourner lentement la vis (S) jusqu'à ce qu'elle puisse être insérée dans la plaque de base (K).



Étapes de l'installation

Étape 7: Placer les tiges de bois de positionnement (T) dans les trous de la plaque de base (K).

NOTE: Les trous se trouvent à l'avant de la plaque de base (K).

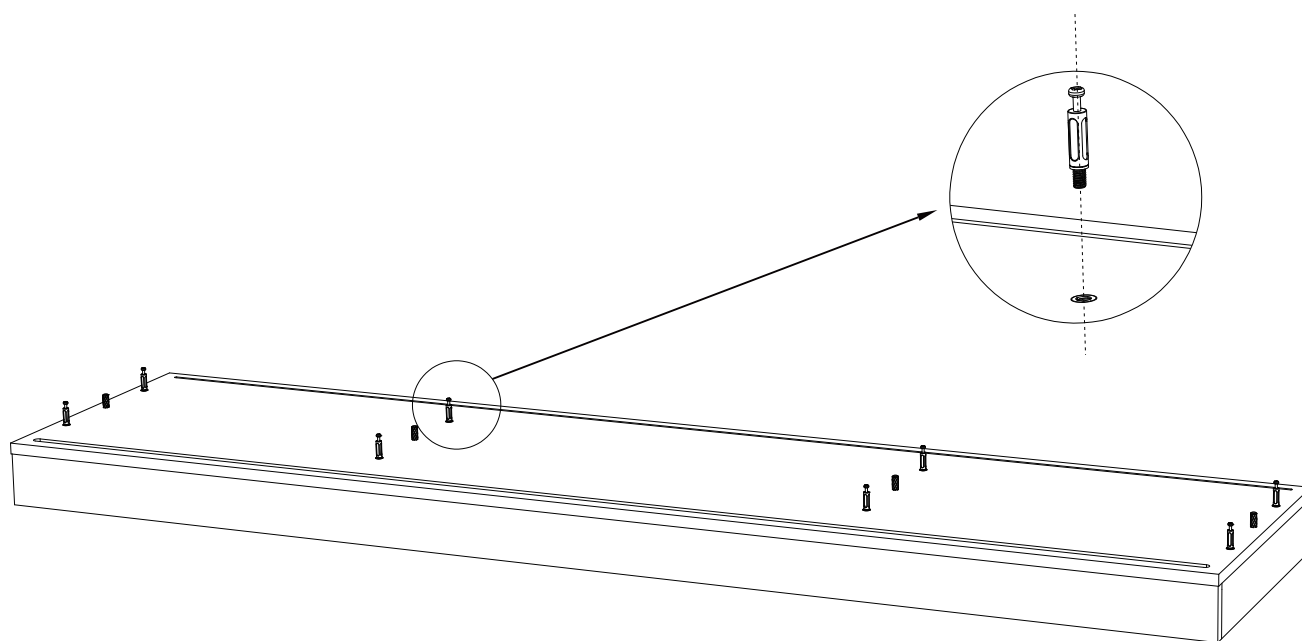


T



x4

Étape 8: Visser la vis M7 (Q) dans l'écrou d'expansion (R) jusqu'à ce que la partie filetée soit complètement enfoncée.



Q



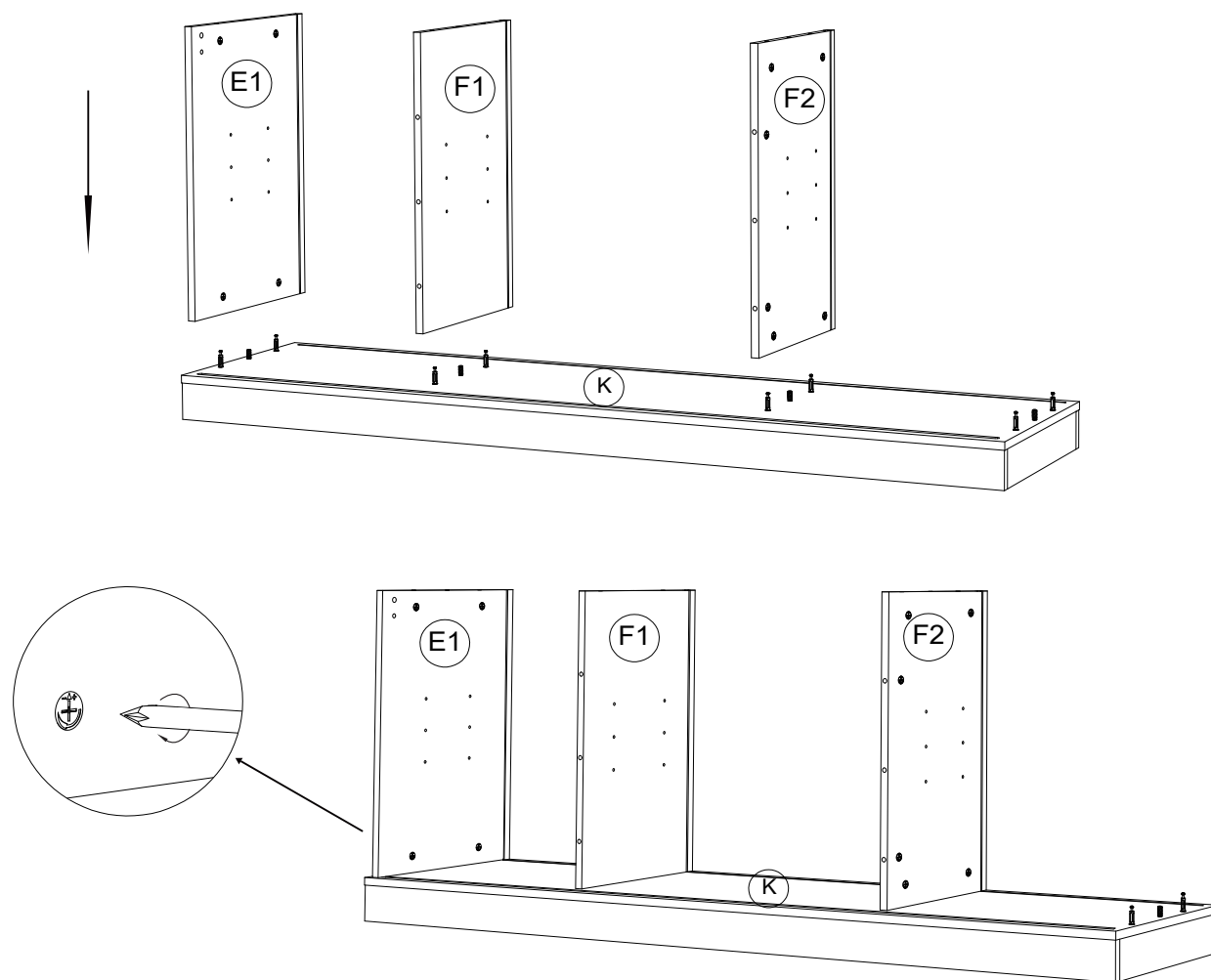
x8

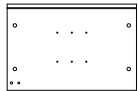
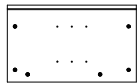
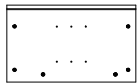
Étapes de l'installation

Étape 9: Insérez les quatre panneaux verticaux de gauche à droite dans l'ordre E1, F1, F2 dans la plaque de base (K), la direction de la rainure sur le panneau vertical est l'arrière du meuble TV, et la rainure étroite sur la plaque de base (K) est alignée avec l'installation, et utilisez un tournevis (X) pour serrer les vis (S), de sorte que les panneaux verticaux soient fixés.

NOTE: Si la vis (Q) ne peut pas être insérée dans les planches verticales, tournez lentement la vis (S) jusqu'à ce qu'elle puisse être insérée dans la plinthe courte (M).

Notez l'orientation des trois montants : le côté de E1 avec les deux petits trous est le dessus, F1 et F2 sont orientés l'un par rapport à l'autre, et le côté avec l'encoche est l'arrière du meuble TV.

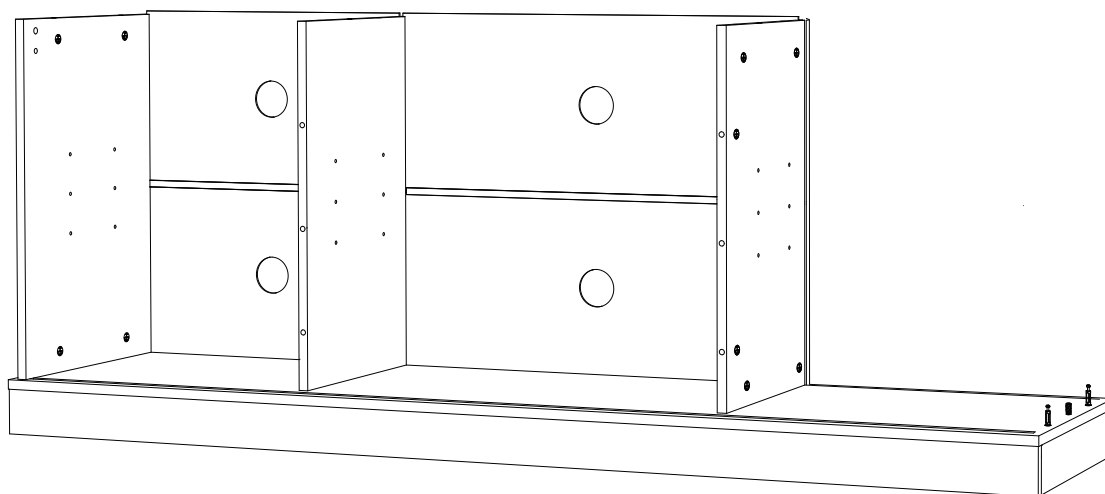
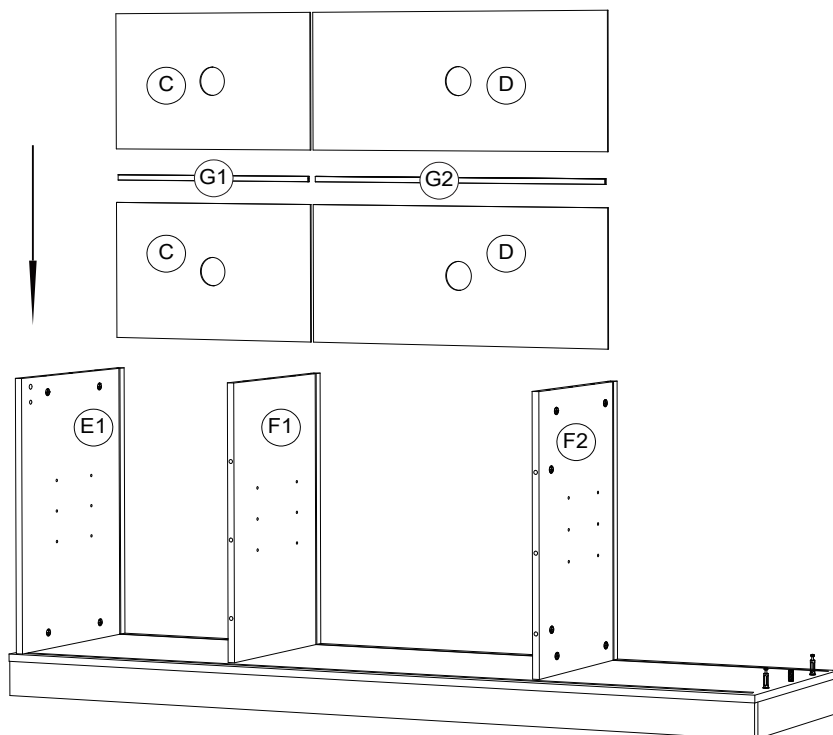


E1		x1		
F1		x1	F2	 x1

Étapes de l'installation

Étape 10: La planche courte (C) et la planche longue (D) sont insérées dans les rainures de la plaque verticale dans l'ordre indiqué sur la figure, et les tiges de fixation G1 et G2 sont placées entre les deux planches supérieures et inférieures.

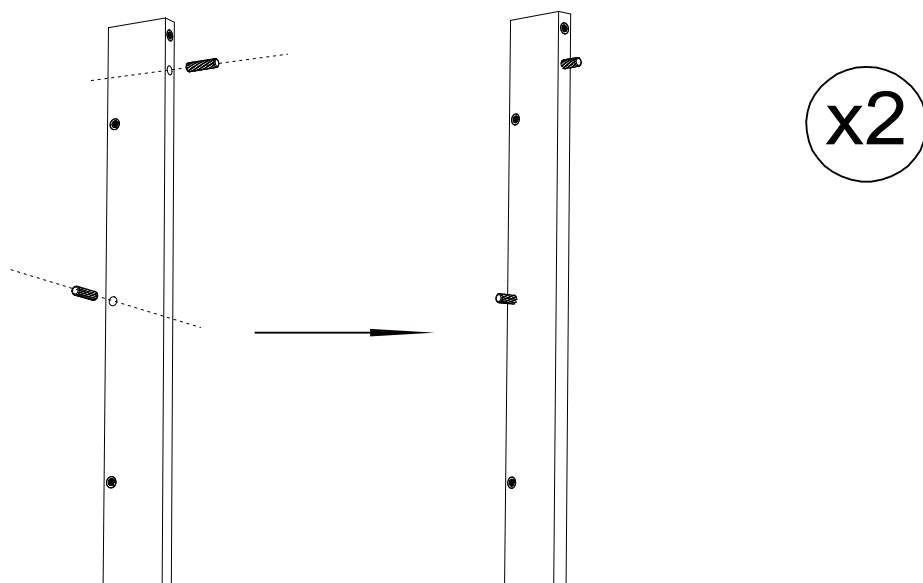
NOTE: Les plaques inférieures de dos court et de dos long doivent s'encliqueter dans les rainures de la plaque de base.






C		x2	D		x2
G1		x1	G2		x1

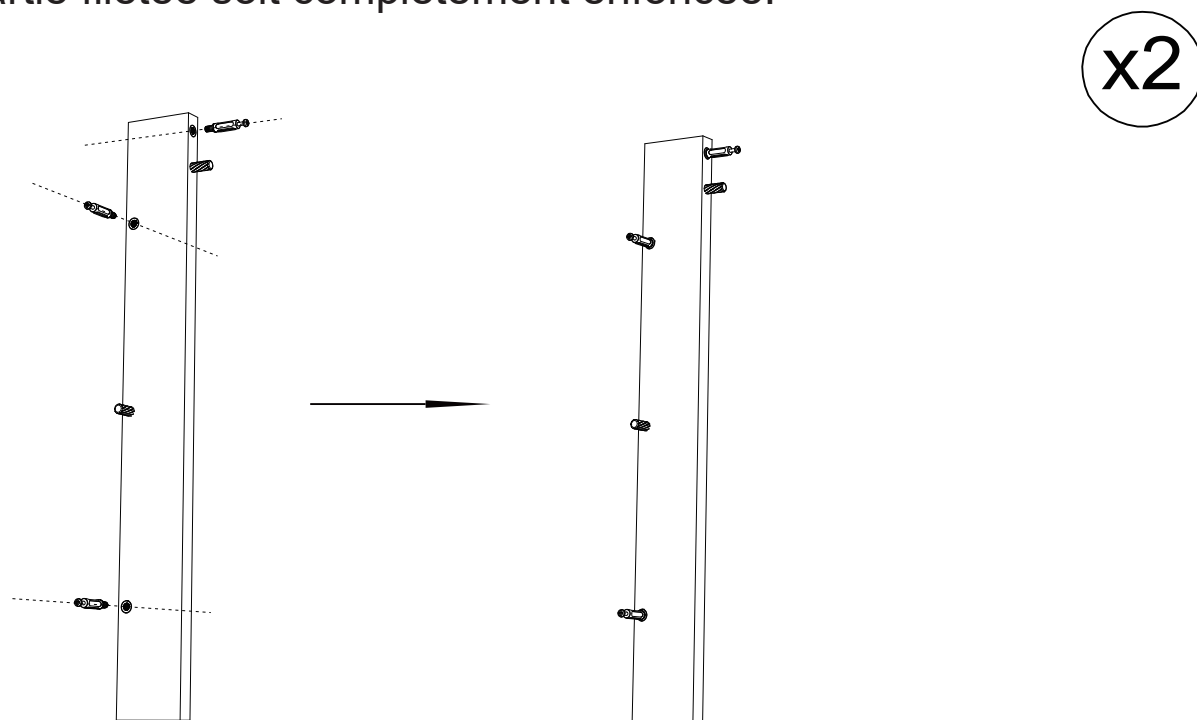
Étapes de l'installation


Étape 11: Placer les tiges de bois de positionnement (T) dans les trous de la butée de porte (J1 et J2).



J1		x1	J2		x1
T		x4			

Étape 12: Visser la vis M7 (Q) dans l'écrou d'expansion (R) jusqu'à ce que la partie filetée soit complètement enfoncée.

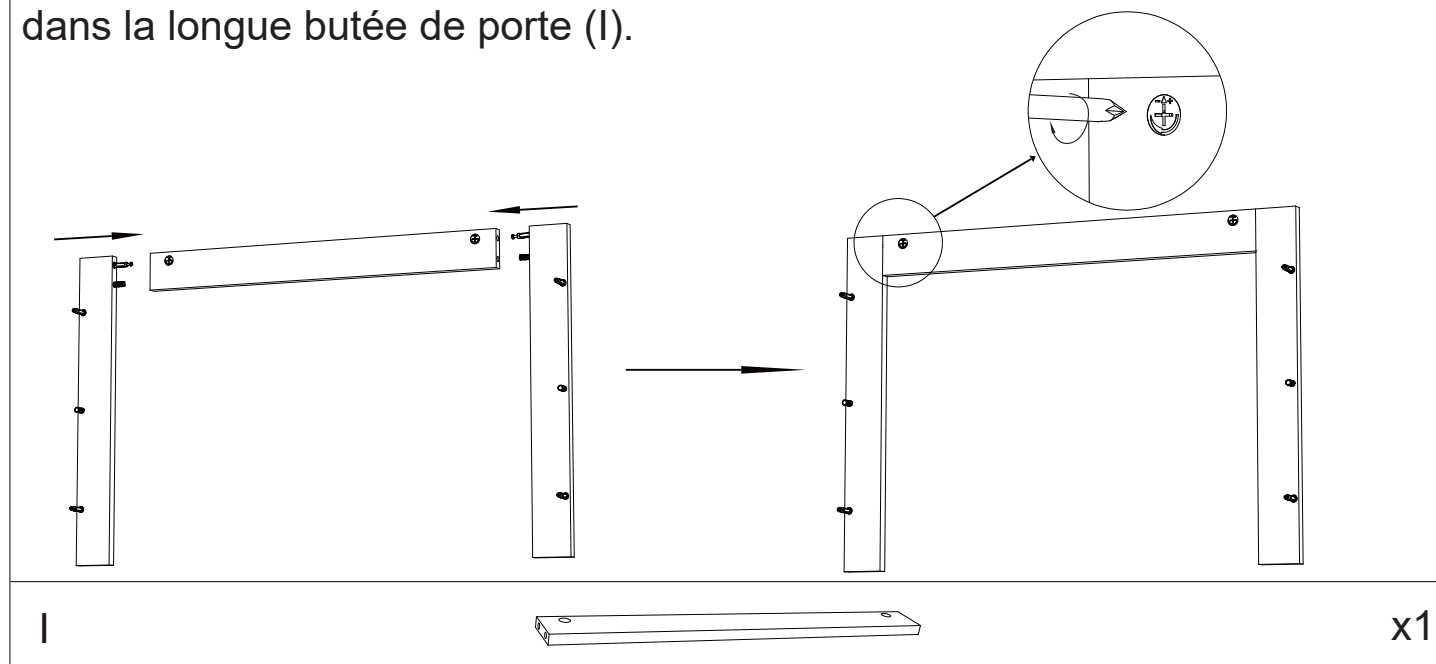


Q		M7x40	x6
---	---	-------	----

Étapes de l'installation

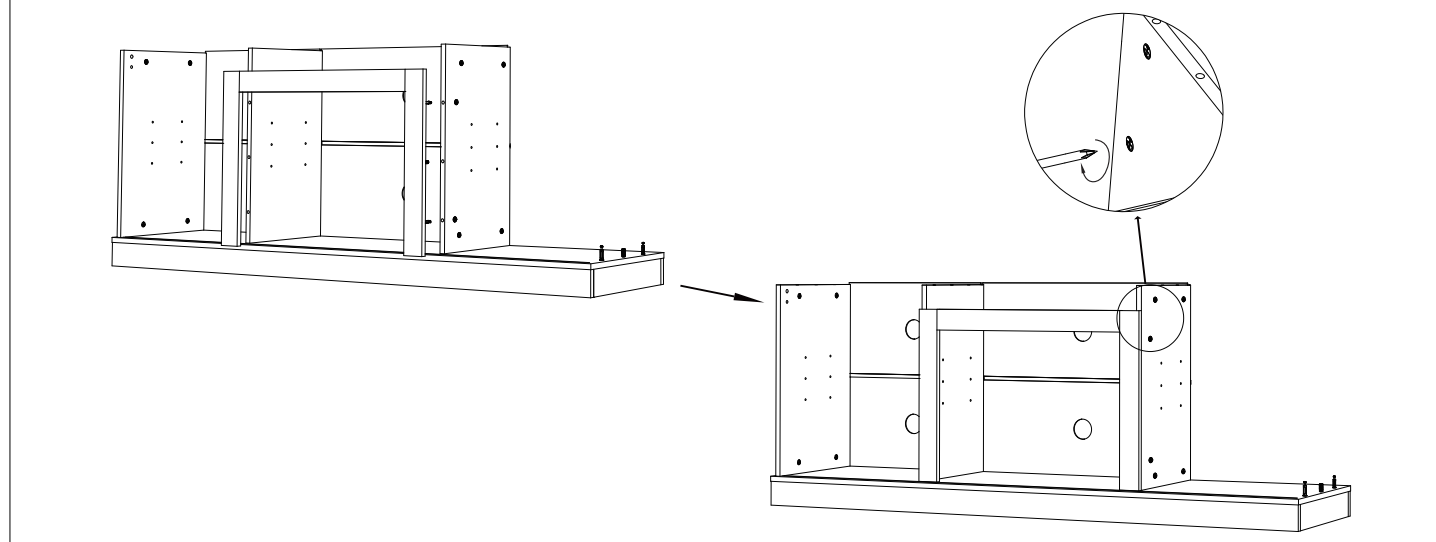
Étape 13: Insérer les vis (Q) et les tiges de bois de positionnement (T) de la butée de porte courte (J1 et J2) contre les trous de la butée de porte longue (I), puis serrer les vis (S) à l'aide d'un tournevis (X) pour les fixer.

NOTE: Si la vis (Q) ne peut pas être insérée dans la longue butée de porte (I), tourner lentement la vis (S) jusqu'à ce qu'elle puisse être insérée dans la longue butée de porte (I).



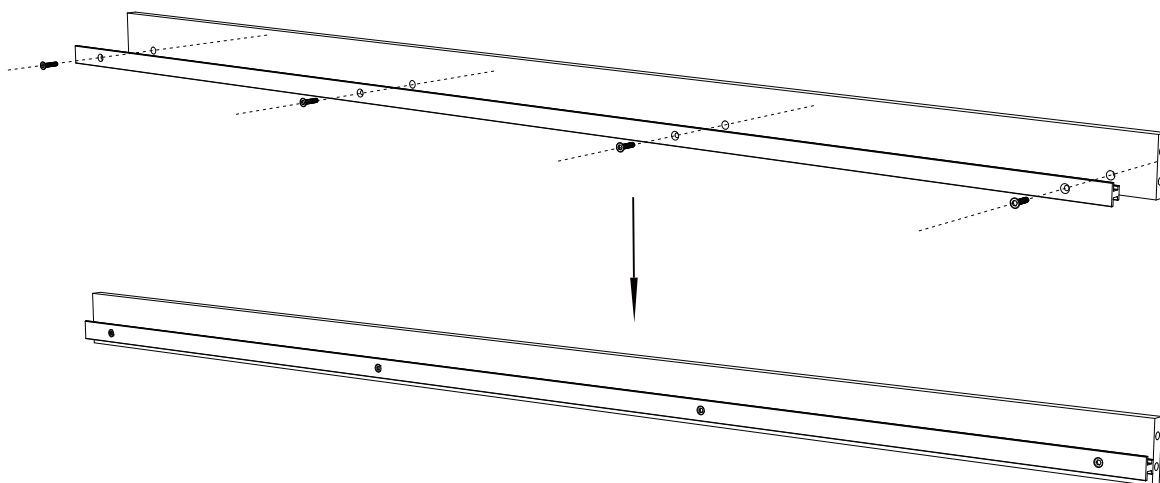
Étape 14: Insérer les vis (Q) et les tiges de bois de positionnement (T) de la butée de porte courte (J1 et J2) contre les trous de la plaque neutre (F1 et F2), puis serrer les vis (S) à l'aide d'un tournevis (X) pour les fixer.

NOTE: Si la vis (Q) ne peut pas être insérée dans la plaque neutre (F1 et F2), tourner lentement la vis (S) jusqu'à ce qu'elle puisse être insérée dans la plaque neutre (F1 et F2). Si la butée de porte (J1 et J2) ne peut pas être facilement insérée dans le trou, vous pouvez ajuster les vis sous la plaque neutre, soulever doucement la plaque neutre, et insérer le verrouillage.



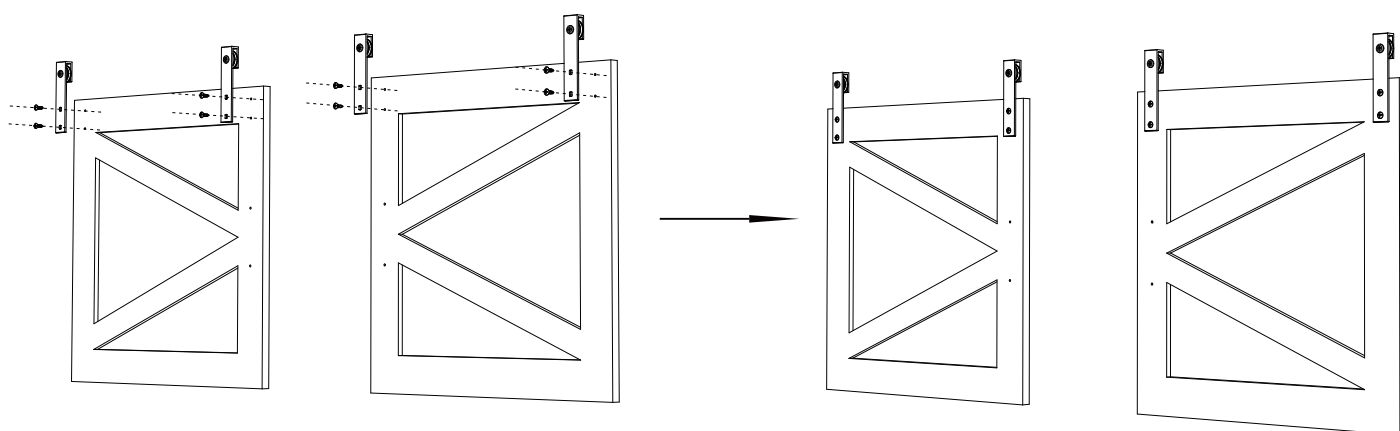
Étapes de l'installation

Étape 15: Visser (U1) le rail (B2) au long déflecteur supérieur (B1).
NOTE: Fixer à l'aide de la clé Allen (Y).



B1		x1	U1 x4
B2		x1	

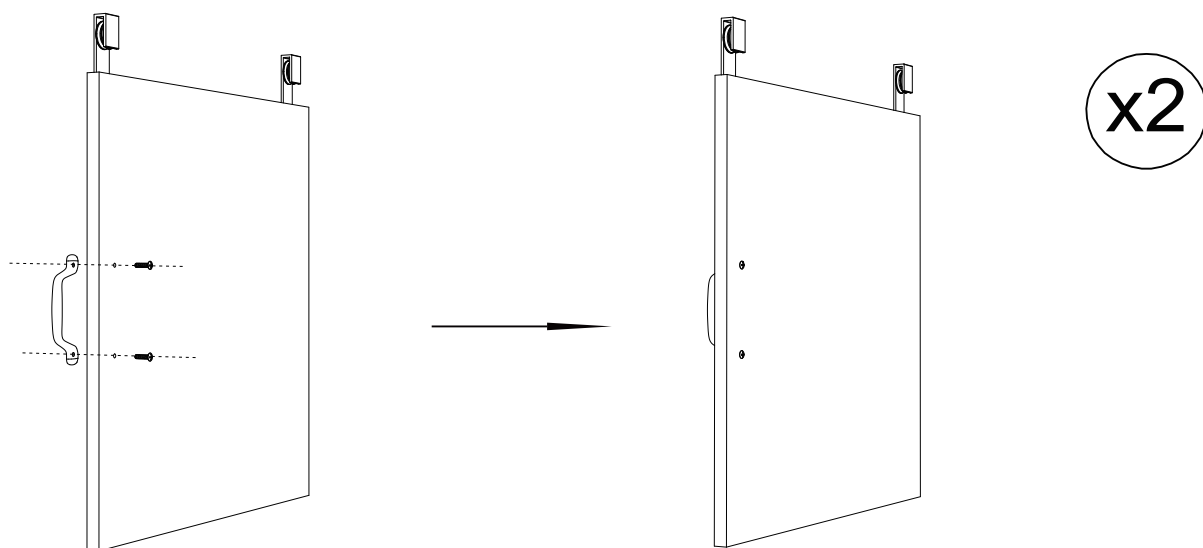
Étape 16: Fixer les connecteurs du rail de levage (P) aux panneaux de porte gauche et droit (L1 et L2) à l'aide des vis (U3).



L1		x1	L2		x1	P		x4	U3		x8
----	--	----	----	--	----	---	--	----	----	--	----

Étapes de l'installation

Étape 17: Fixer la poignée de porte (O) au panneau de porte (L1 et L2) à l'aide des vis (U2).



O



x2

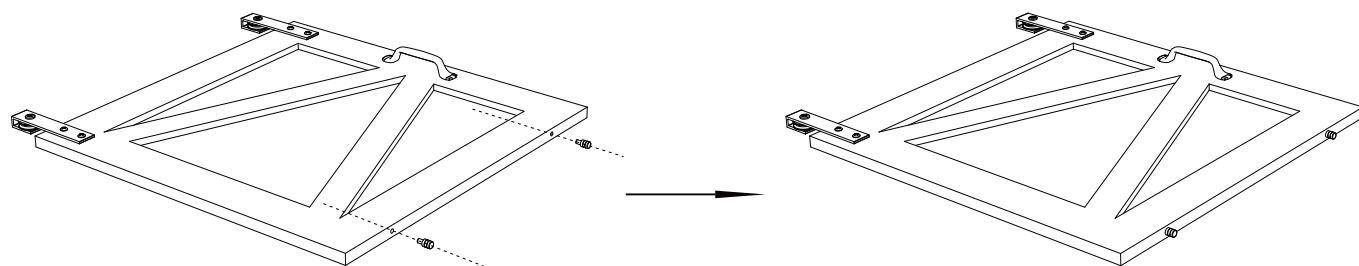
U2



x4

Étape 18: Insérer la tige de positionnement métallique (W1) dans le trou inférieur du panneau de porte (L1 et L2).

NOTE: Recouvrement en silicone de la surface du repère métallique (W1).



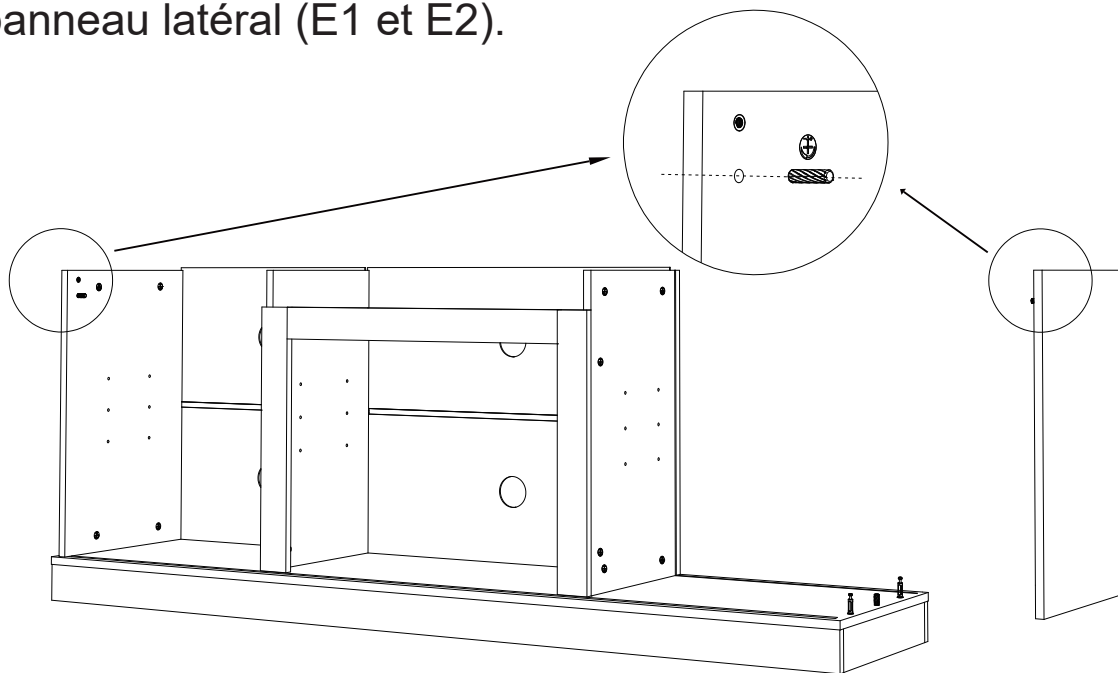
W1



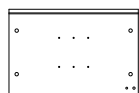
x4

Étapes de l'installation

Étape 19: Placer les tiges de bois de positionnement (T) dans les trous du panneau latéral (E1 et E2).



E2



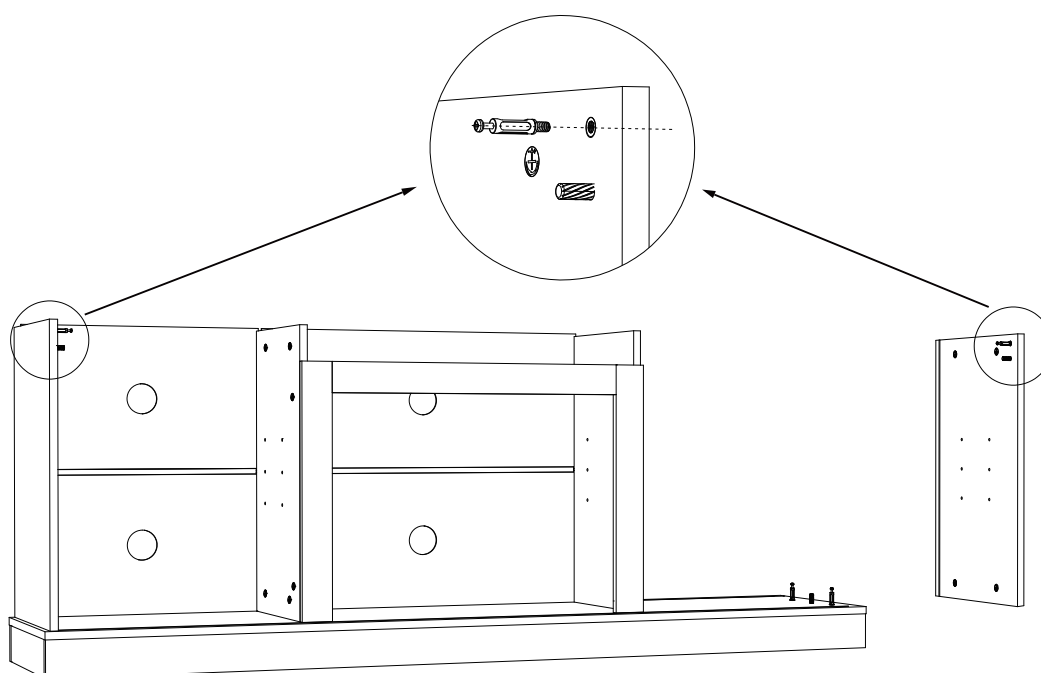
x1

T



x2

Étape 20: Visser la vis M7 (Q) dans l'écrou d'expansion (R) jusqu'à ce que la partie filetée soit complètement enfoncée.



Q



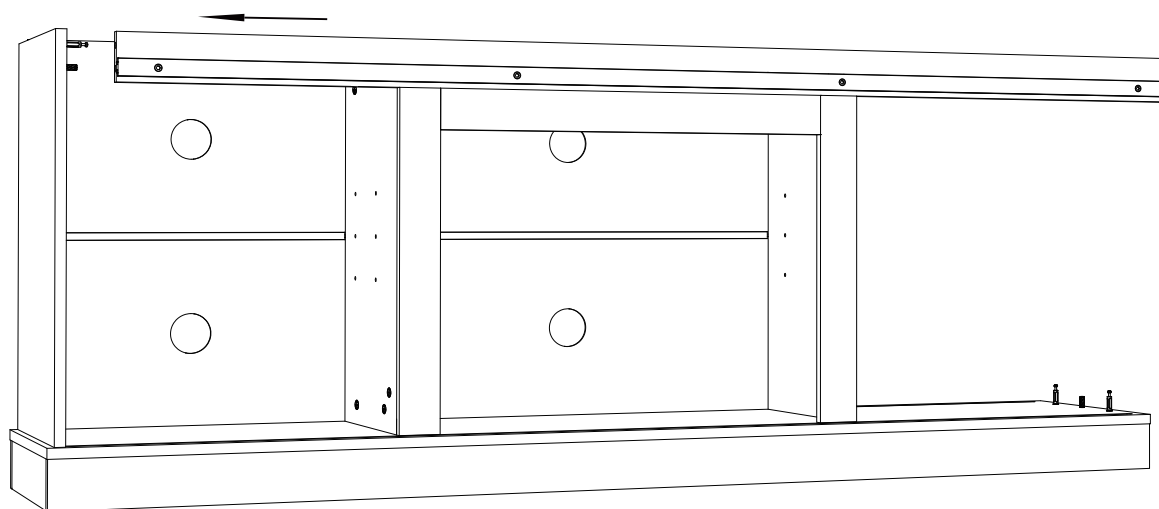
M7x40

x2

Étapes de l'installation

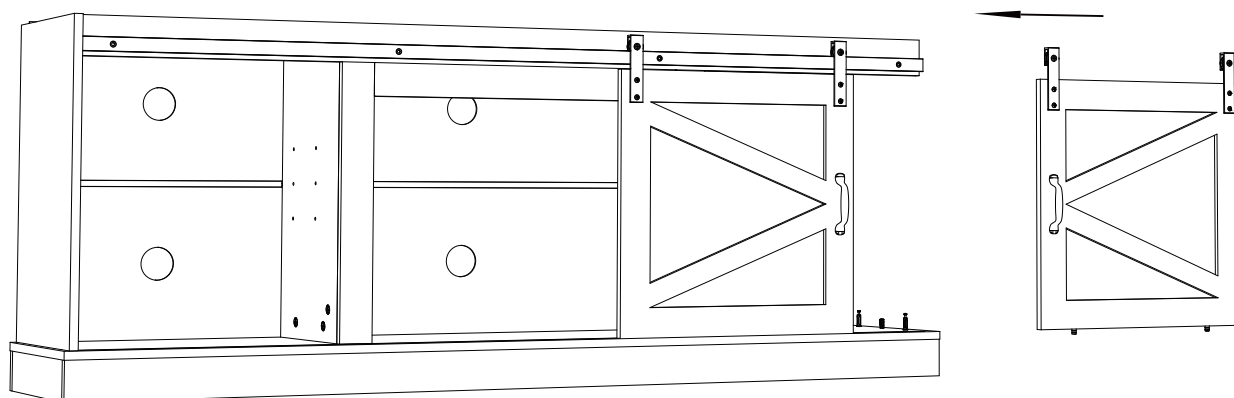
Étape 21: Retirez la plaque latérale droite (E2), puis insérez les trous du côté gauche du long déflecteur supérieur (B1 et B2) contre les vis (Q) et les tiges de (T) de la plaque latérale gauche (E1), de sorte que le long baffle supérieur (B1 et B2) et la plaque de rehaussement s'emboîtent l'un dans l'autre.

NOTE: Cette étape nécessite une autre personne pour tenir le panneau latéral gauche et le long déflecteur supérieur.



Étape 22: Insérer les tiges métalliques de repérage (W1) sous les panneaux de porte gauche et droit (L1 et L2) à tour de rôle, en les alignant sur les rainures au-dessus de la plaque de base (K), et faire glisser les poulies des connecteurs du rail de levage (P) dans les glissières.

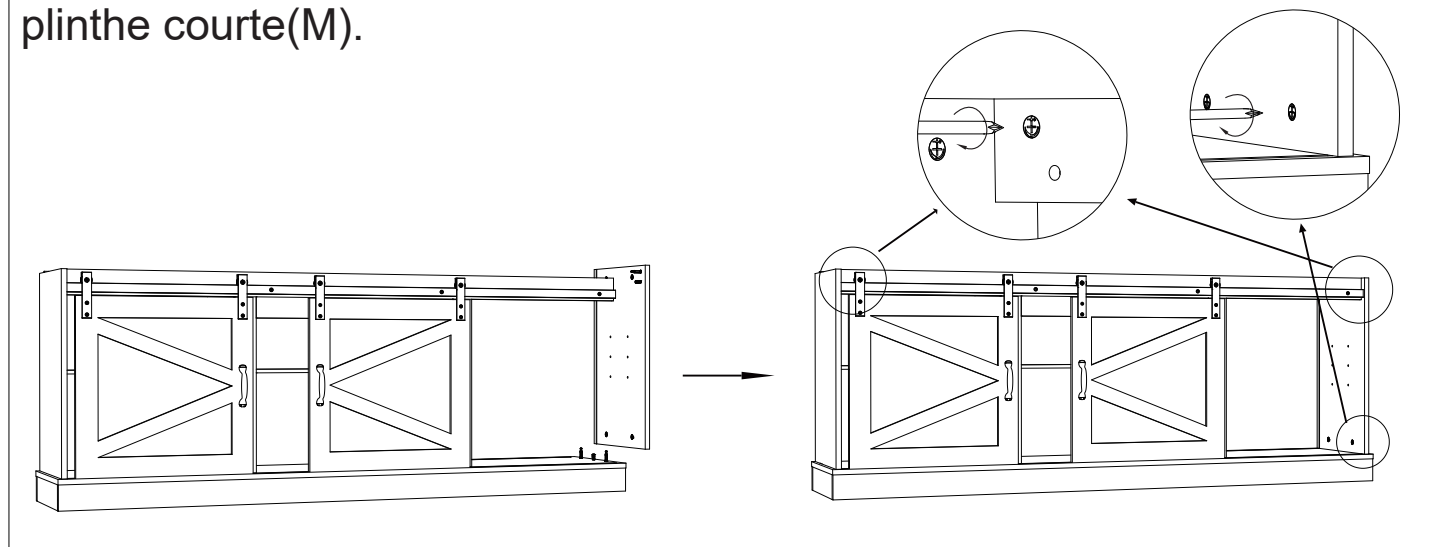
NOTE: Cette étape nécessite une autre personne pour tenir le panneau latéral gauche et le long déflecteur supérieur.



Étapes de l'installation

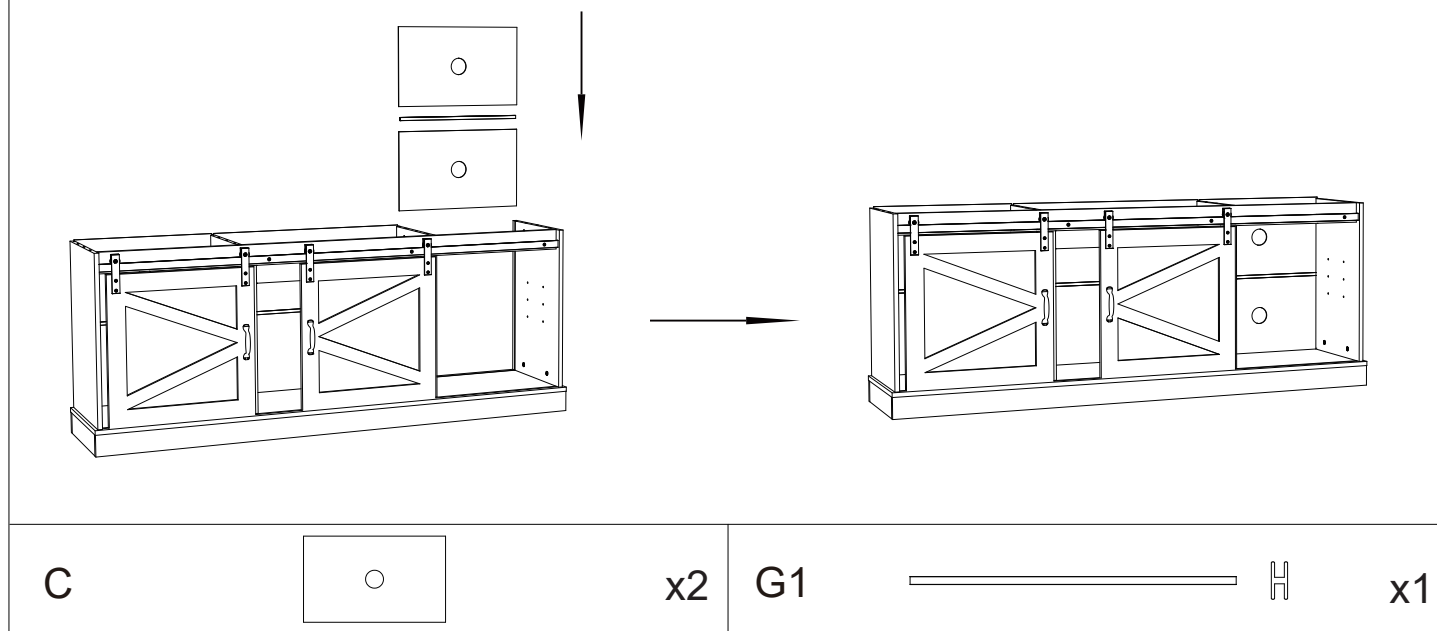
Étape 23: Alignez les trous de la plaque latérale droite (E2) avec les vis (Q) et les tiges de bois de positionnement (T) insérées dans le long déflecteur supérieur (B1) et la plaque de base (K), et utilisez un tournevis (X) pour serrer les vis (S) à l'arrière du long déflecteur supérieur (B1) et les vis (S) sur la plaque latérale droite (E2).

NOTE: Si la vis (Q) ne peut pas être insérée dans la plinthe courte (M), tourner lentement la vis (S) jusqu'à ce qu'elle puisse être insérée dans la plinthe courte (M).



Étape 24: Insérer la plaque d'appui courte (C) dans la rainure de la plaque verticale dans l'ordre indiqué sur la figure et placer la barre de retenue G1 entre les plaques d'appui supérieure et inférieure.

NOTE: La plaque d'appui inférieure courte doit s'enclencher dans la rainure de la plaque de base.

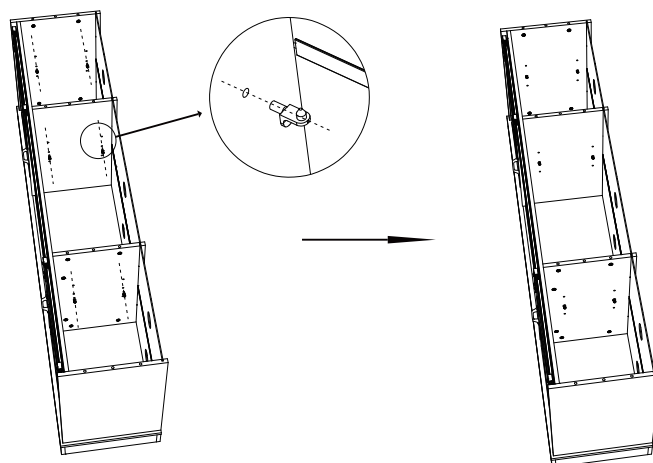


Étapes de l'installation

SI VOUS SOUHAITEZ INSTALLER UN FOYER ÉLECTRIQUE, PASSEZ AUX ÉTAPES D'INSTALLATION DE LA PAGE 51.

Étape 25: Sélectionnez la hauteur appropriée des trous dans la plaque verticale (E1,E2,F1,F2) et insérez les pattes de support (W2) dans les trous.

NOTE: Poteau de positionnement pointu orienté vers le haut.



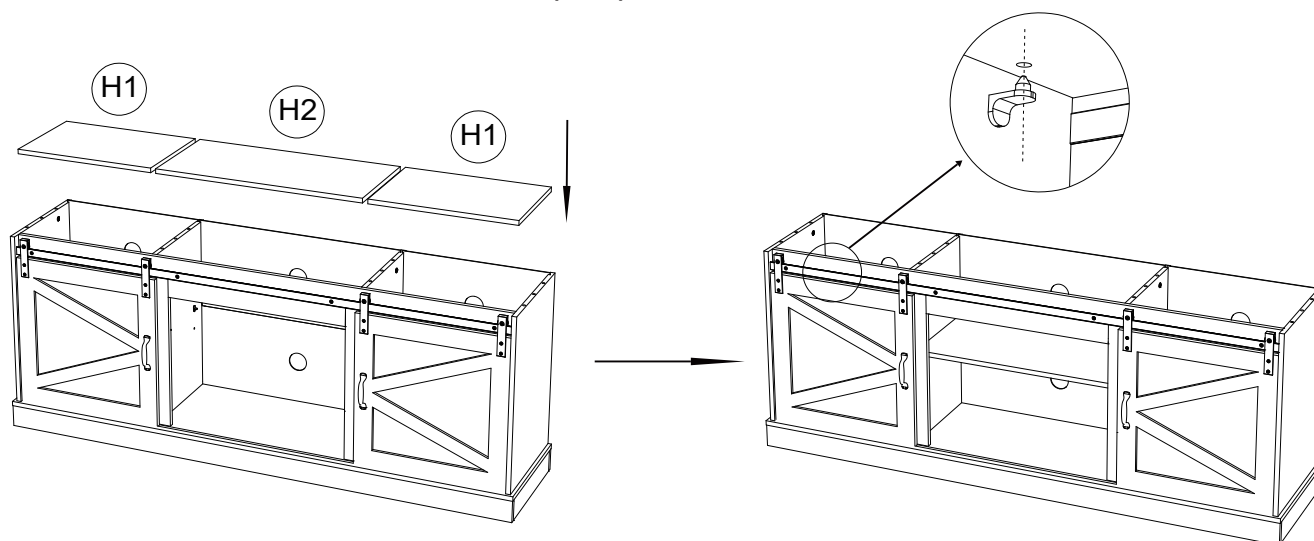
W2



x12

Étape 26: Placer la cloison courte (H1) et la cloison longue (H2) sur la pièce de support (W2).

NOTE: Poteaux de positionnement à pointes insérés dans les trous situés à l'arrière de la cloison (H2).



H1



x2

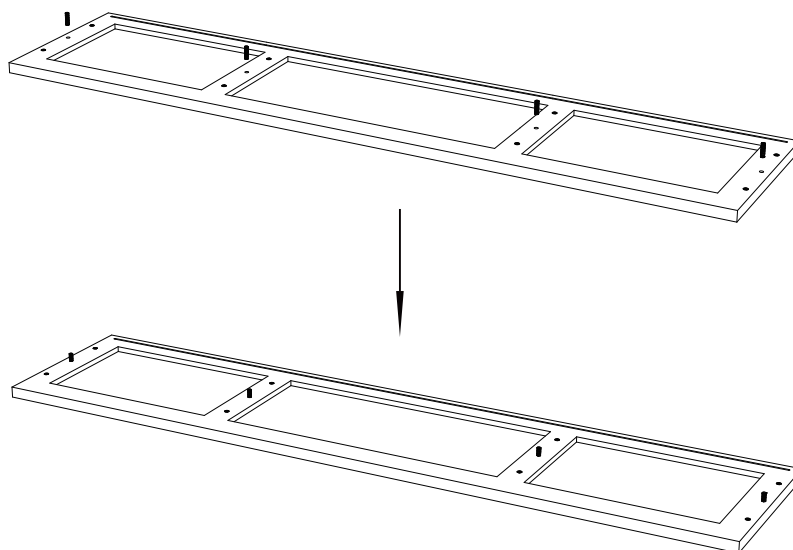
H2



x1

Étapes de l'installation

Étape 27: Placer les tiges de bois de positionnement (T) dans les trous de la plaque supérieure (A).



A



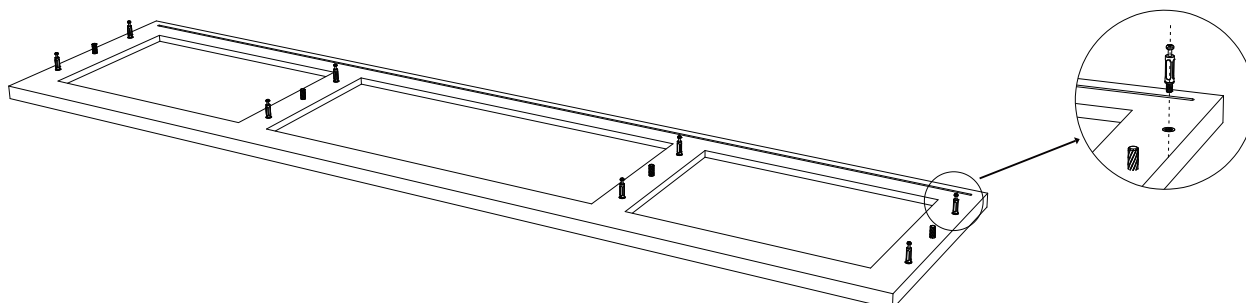
x1

T



x4

Étape 28: Visser la vis M7 (Q) dans l'écrou d'expansion (R) jusqu'à ce que la partie filetée soit complètement enfoncée.



Q



M7x40

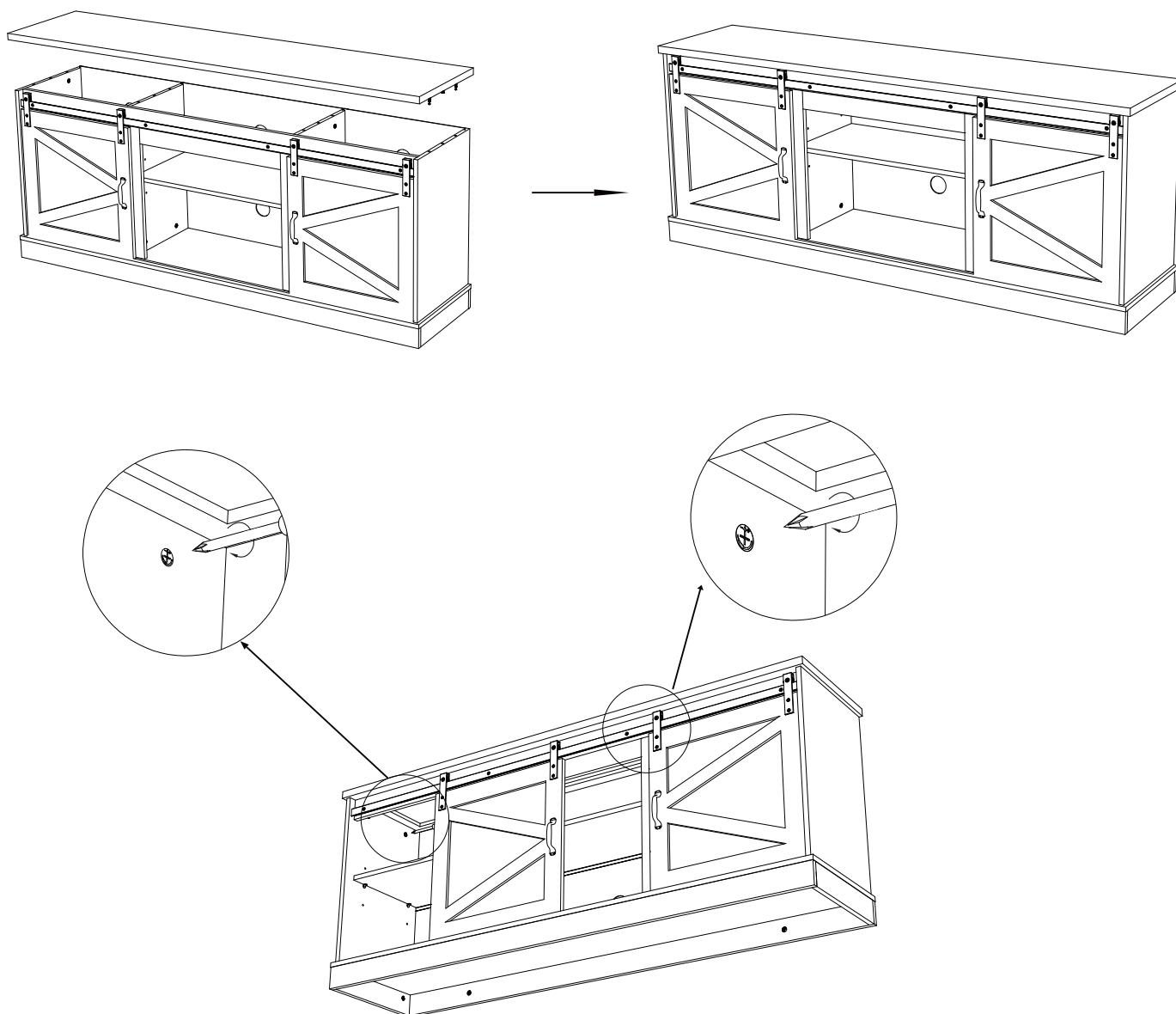
x8

Étapes de l'installation

Étape 29: Insérez les vis(Q) et les tiges de bois de positionnement(T) de la plaque supérieure(A) contre les trous de la plaque verticale(E1,E2,F1,F2) et serrez les vis(S) de la plaque verticale(E1,E2,F1,F2) à l'aide d'un tournevis(X).

NOTE: Le côté du panneau supérieur avec l'encoche est l'arrière du meuble TV, et vous devez enclencher le panneau arrière dans l'encoche. Cette étape nécessite l'aide d'une autre personne pour ajuster lentement la position de l'élévateur afin que les vis et les tiges de bois de positionnement soient insérées dans les trous.

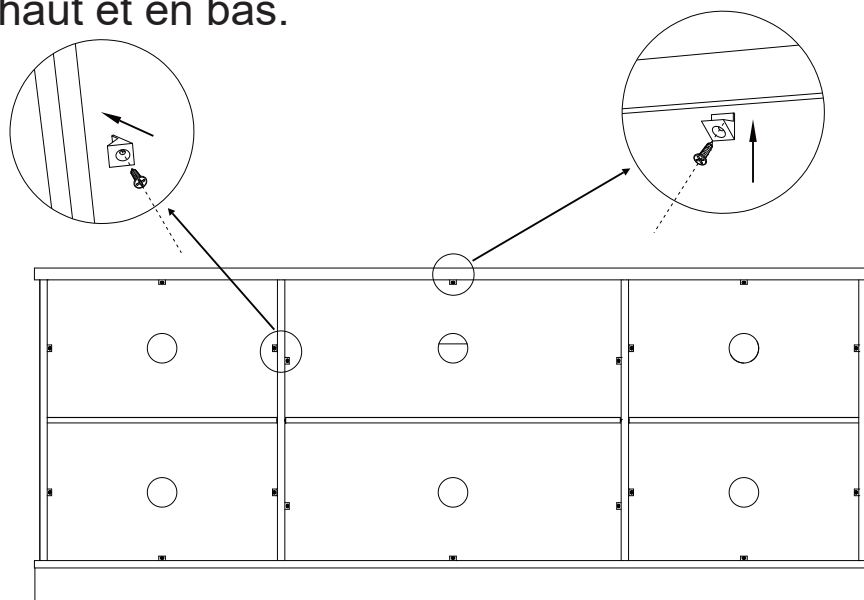
Si la vis (Q) ne peut être insérée dans la plaque verticale (E1,E2,F1,F2), tourner lentement la vis (S) jusqu'à ce qu'elle puisse être insérée dans la plaque verticale (E1,E2,F1,F2).



Étapes de l'installation

Étape 30: Insérer le bouchon (V) dans l'espace situé au bord du panneau arrière (C et D) à l'arrière du meuble TV et le fixer en le serrant avec les vis (U4) à partir de quarante-cinq degrés.

NOTE: Les butées (V) de la plaque neutre (F1 et F2) doivent être décalées en haut et en bas.



V



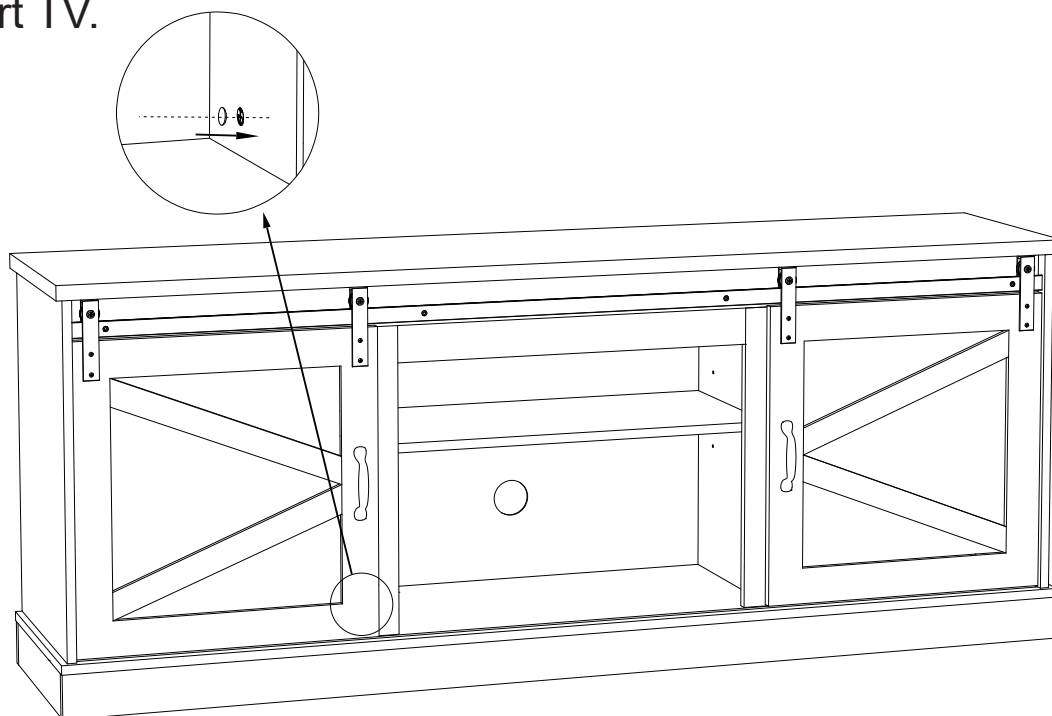
x18

U4



x18

Étape 31: Vérifiez que toutes les vis sont bien serrées, masquez tous les trous de vis avec de la pâte à masquer (Z) et commencez à utiliser le support TV.



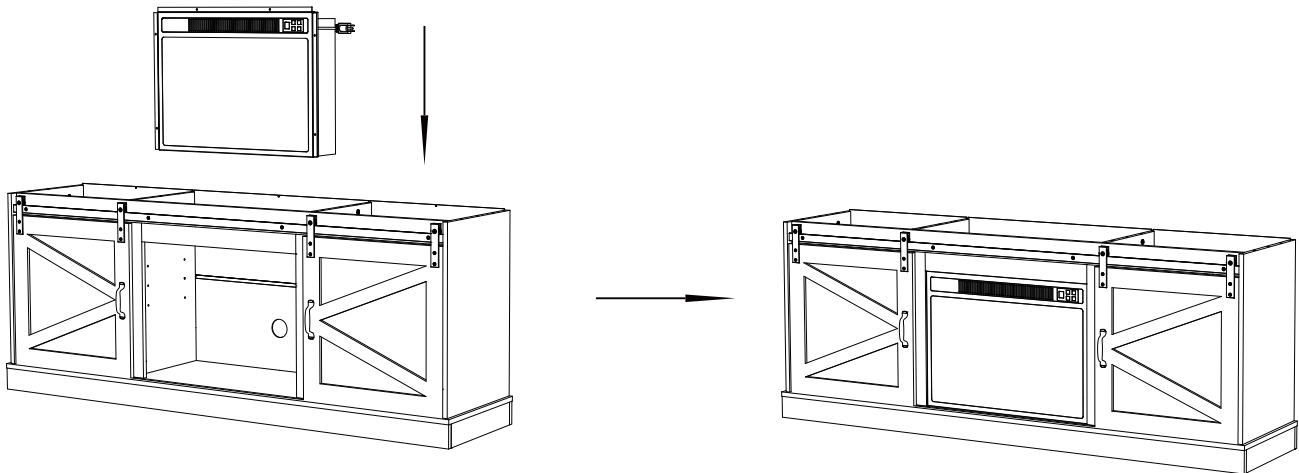
Z



x36

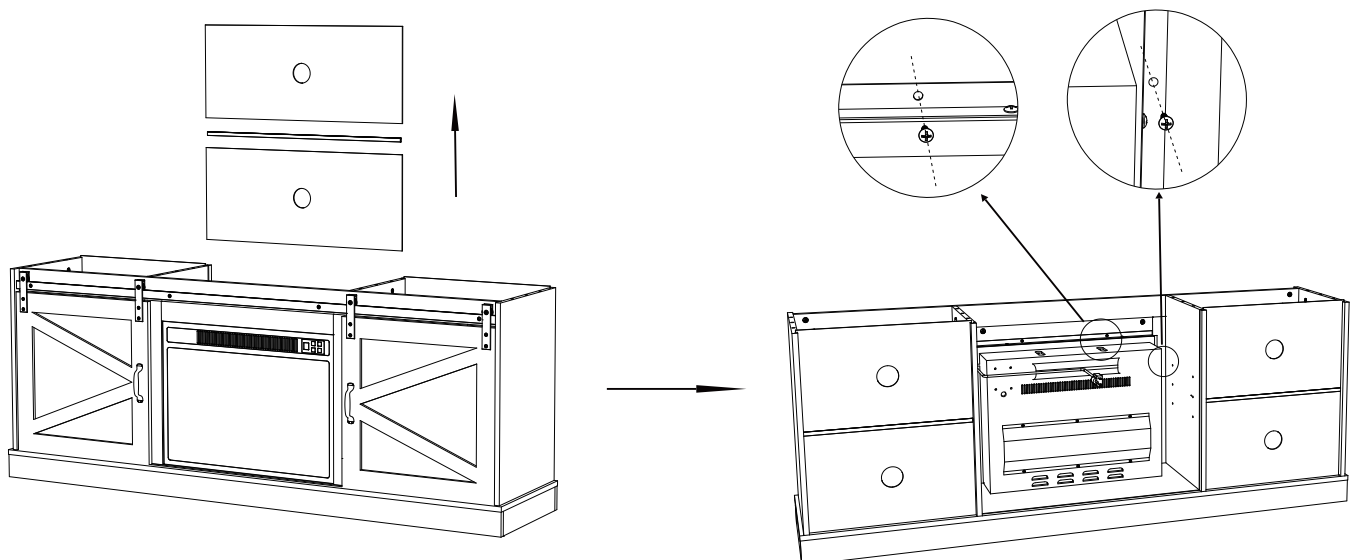
Comment assembler un foyer électronique

Étape 1: Placez la cheminée électrique au centre du meuble TV.



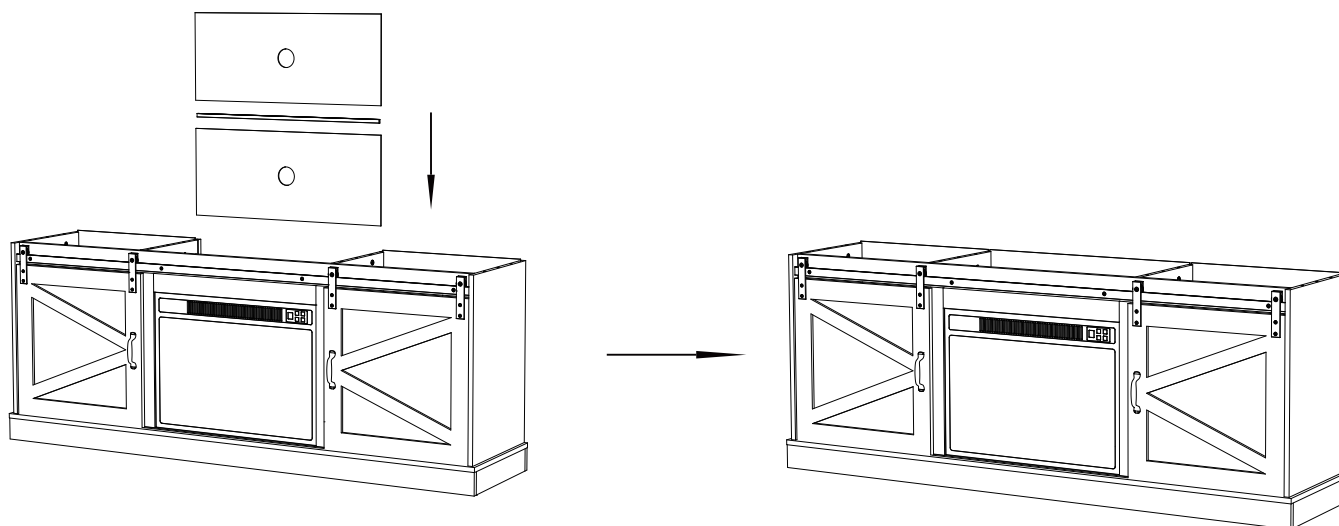
Étape 2: Retirez la longue plaque arrière (D) et fixez le foyer électrique à l'arrêt de porte (I, J1 et J2) à l'aide de vis.

NOTE: Les vis nécessaires à cette étape se trouvent dans la boîte contenant la cheminée électrique.

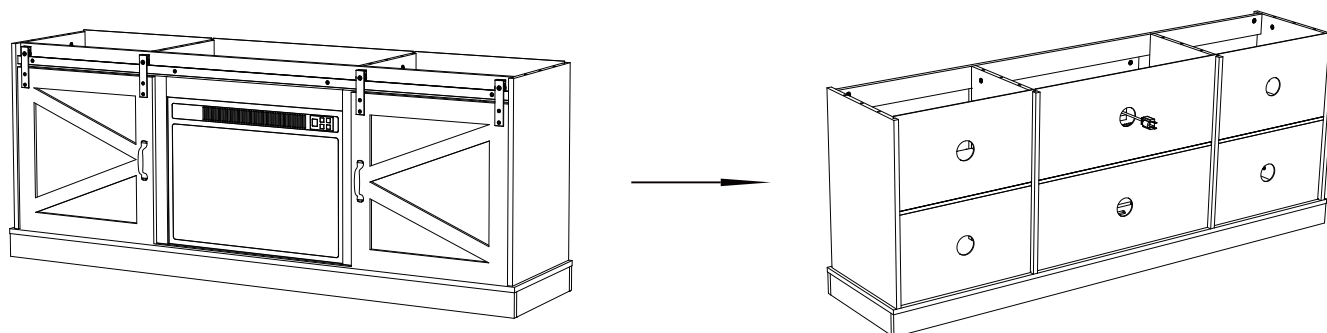


Étapes de l'installation

Étape 3: Repositionner la longue plaque arrière (D) et les tiges de fixation (G2) dans le logement. dans l'encoche.



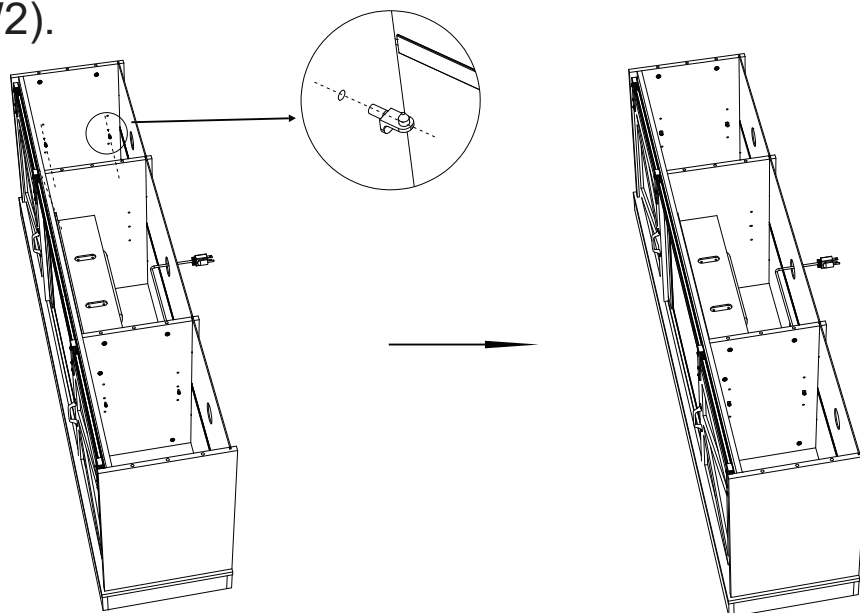
Étape 4: Retirez la fiche du foyer électrique du trou rond situé au milieu de la longue plaque arrière (D).



Étapes de l'installation

Étape 5: Sélectionnez la hauteur appropriée des trous dans la plaque verticale (E1,E2,F1,F2) et insérez les pattes de support (W2) dans les trous.

NOTE: Poteau de positionnement pointu orienté vers le haut. Le trou au centre sur le côté de la cheminée électrique ne contient pas de pattes de support (W2).



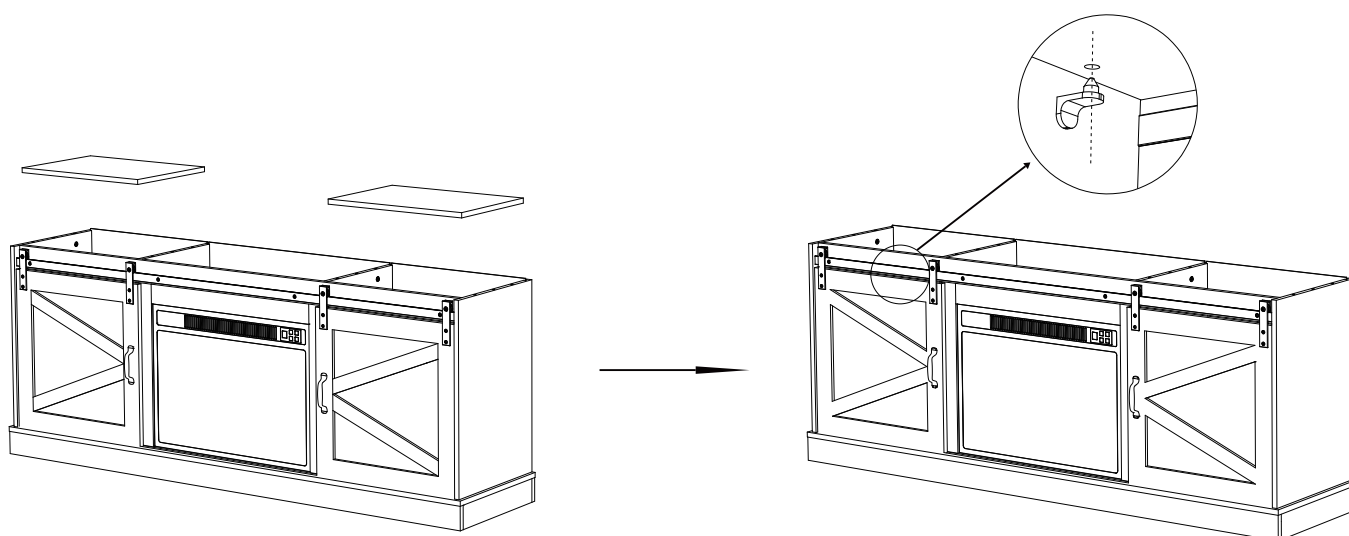
W2



x8

Étape 6: Placer la cloison courte (H1) sur la pièce de support (W2).

NOTE: Poteaux de positionnement à pointes insérés dans les trous situés à l'arrière de la cloison (H2). La longue cloison (H2) est redondante, elle ne sera plus utilisée.



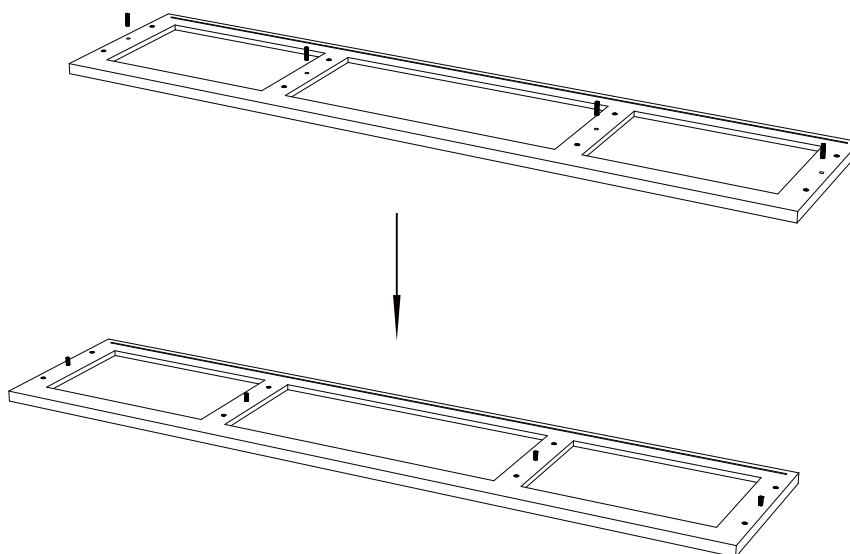
H1



x2

Étapes de l'installation

Étape 7: Placer les tiges de bois de positionnement (T) dans les trous de la plaque supérieure (A).



A



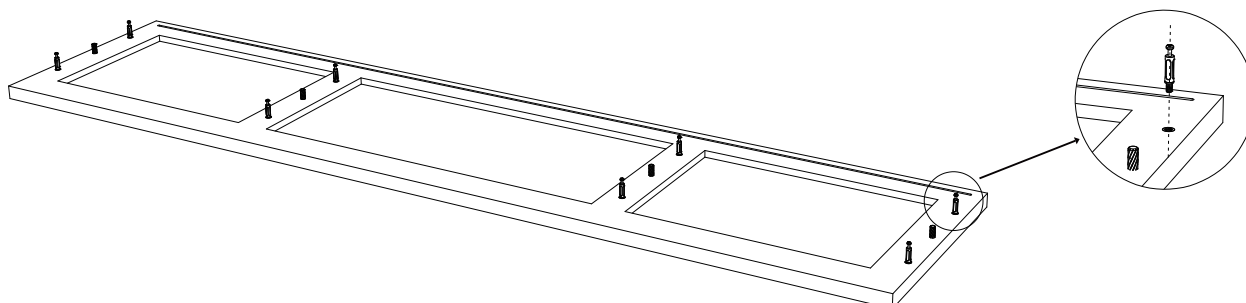
x1

T



x4

Étape 8: Visser la vis M7 (Q) dans l'écrou d'expansion (R) jusqu'à ce que la partie filetée soit complètement enfoncée.



Q



M7x40

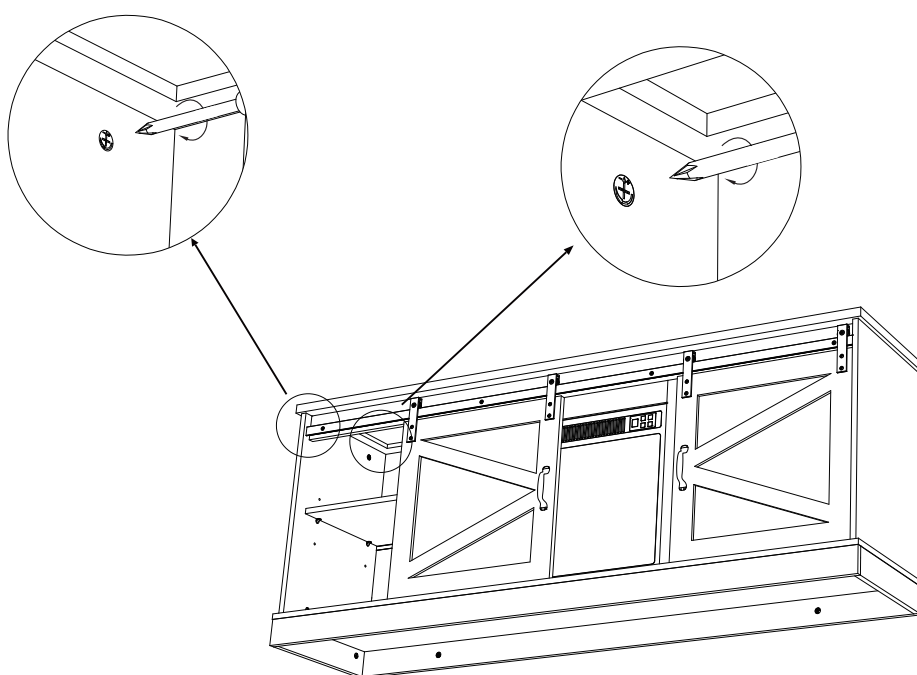
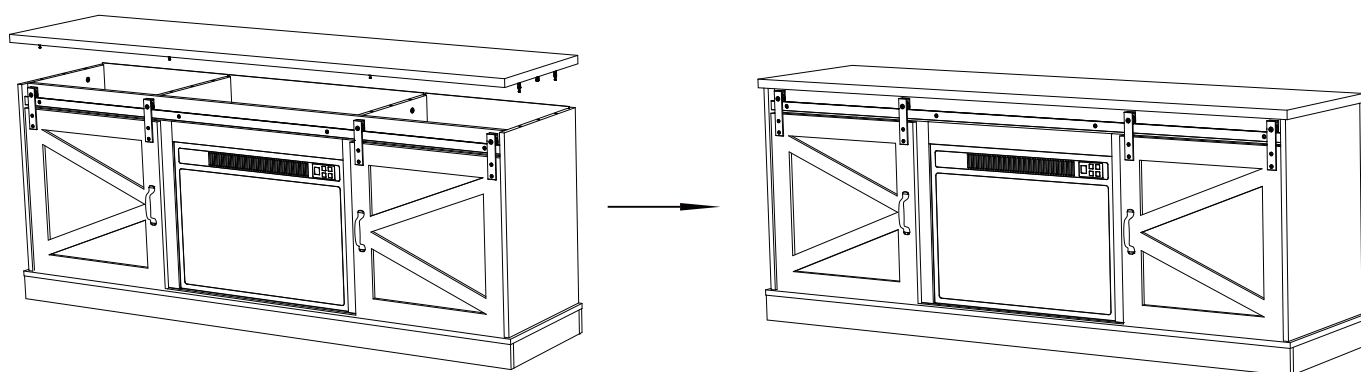
x8

Étapes de l'installation

Étape 9: Insérer les vis(Q) et les tiges de bois de positionnement(T) de la plaque supérieure(A) contre les trous de la plaque verticale(E1,E2,F1,F2) et serrer les vis(S) de la plaque verticale(E1,E2,F1,F2) à l'aide d'un tournevis(X).

NOTE: Le côté du panneau supérieur avec l'encoche est le dos du support TV, et vous devez enclencher le panneau arrière dans l'encoche. Cette étape nécessite l'aide d'une autre personne pour ajuster lentement la position de l'élévateur afin que les vis et les tiges de bois de positionnement soient insérées dans les trous.

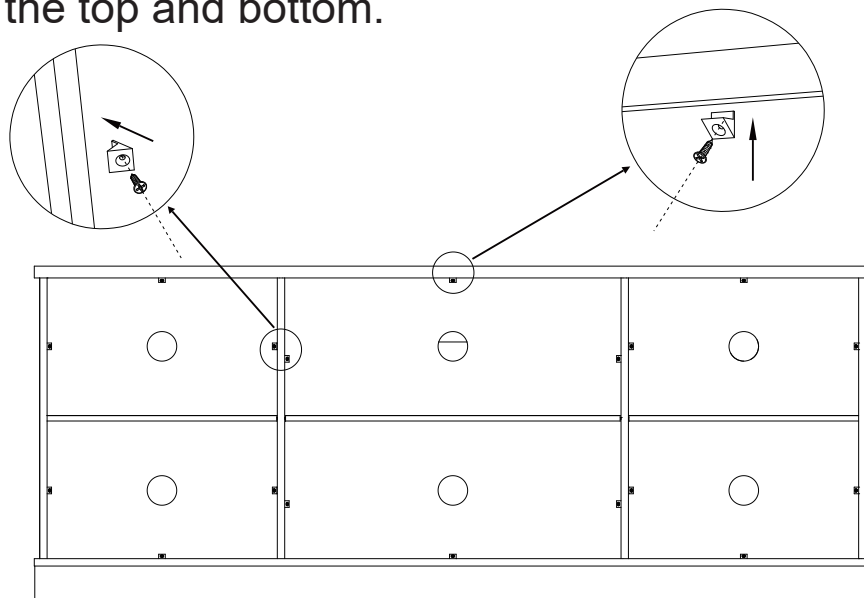
Si la vis (Q) ne peut être insérée dans la plaque verticale (E1,E2,F1,F2), tourner lentement la vis (S) jusqu'à ce qu'elle puisse être insérée dans la plaque verticale (E1,E2,F1,F2).



Étapes de l'installation

Étape 10: Insérer le bouchon (V) dans l'espace situé au bord du panneau arrière (C et D) à l'arrière du meuble TV et le fixer en le serrant avec les vis (U4) à partir de quarante-cinq degrés.

NOTE: The stoppers (V) on the neutral plate (F1 and F2) need to be staggered at the top and bottom.



V



x18

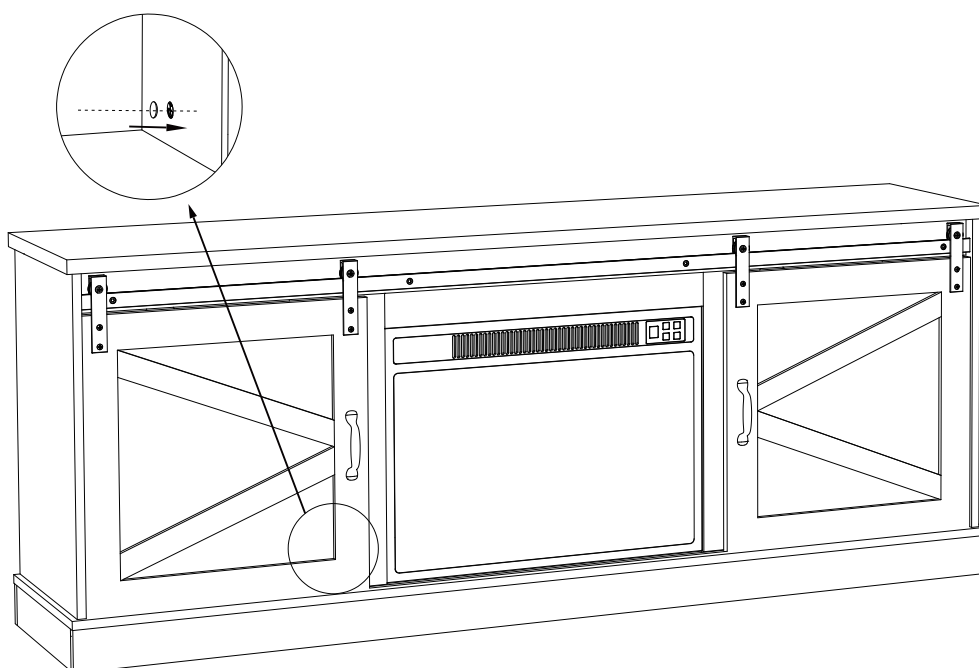
U4



M3.5x14

x18

Étape 11: Vérifiez toutes les vis, masquez tous les trous de vis avec de la pâte à masquer (Z) et branchez l'alimentation à la cheminée électronique et commencez à l'utiliser !



Z



x36