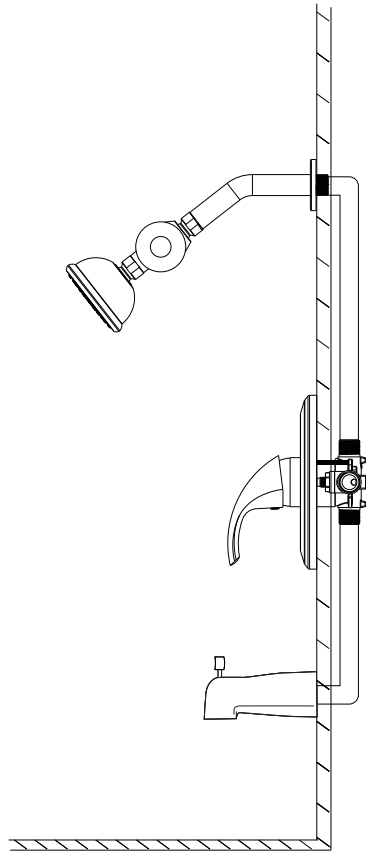


PRODUCT DRAWING



RECOMMENDED TOOLS

Plumber's putty



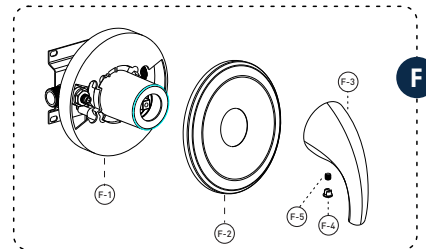
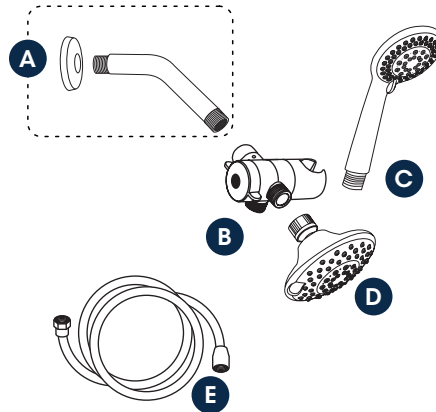
Thread seal tape



Included



No.	Description
A	Shower arm and flange kit
B	Water Diverter with built-in Bracket
C	Hand shower
D	Head Shower
E	Flexible hose
F	Pressure balanced diverter valve
f-1	Valve
f-2	Face plate with sealjoint
f-3	Diverter knob kit
f-4	Trim cap
f-5	Allen screw
G	Bathtub spout



SHOWER SYSTEM FAUCET

Installation instruction



MB/BN/BG/CH/ORB

CARE INSTRUCTIONS

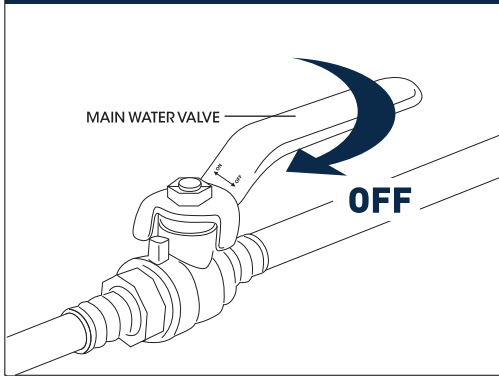
Rinse the product with clear water. Dry the product with a soft cloth.

DO NOT:

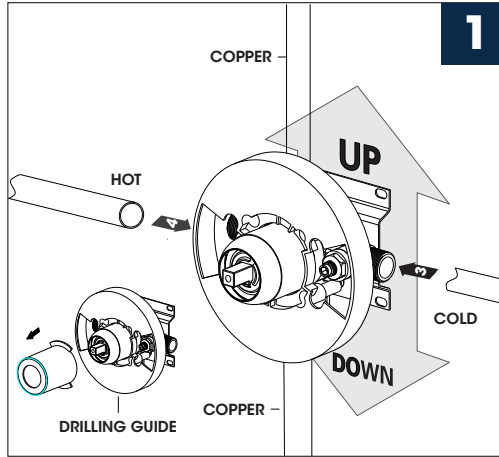
Use abrasive cleansers, cloths, or paper towels. Use any cleaning agents containing acid, polish, wax, alcohol, ammonia, bleach, solvent or any other corrosive or harsh chemical cleansers.

INSTALLATION STEPS

BEFORE YOU BEGIN

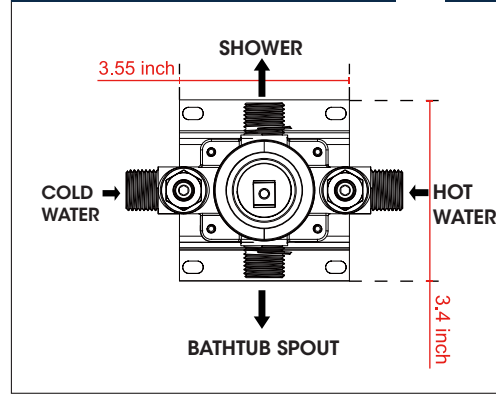


1



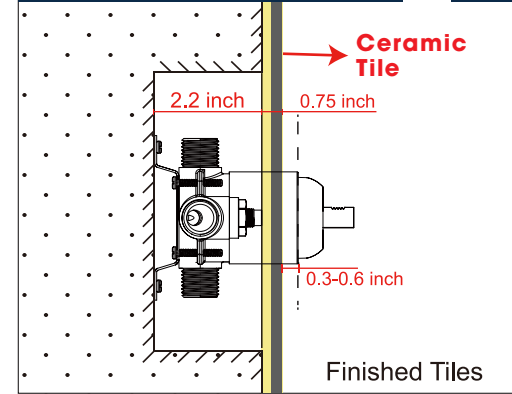
SHOWER+BATHTUB SPOUT

2



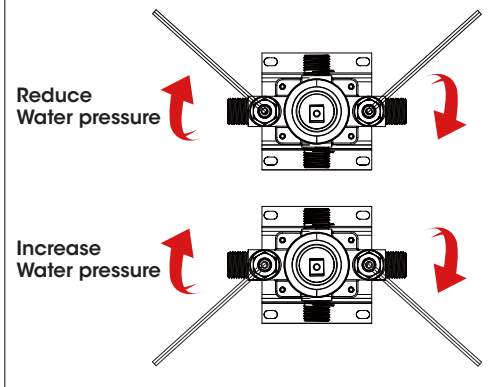
CONFIRM DIMENSIONS

3



CHOOSE WATER PRESSURE

4



TEST VALVE BEFORE CLOSE THE WALL

5

