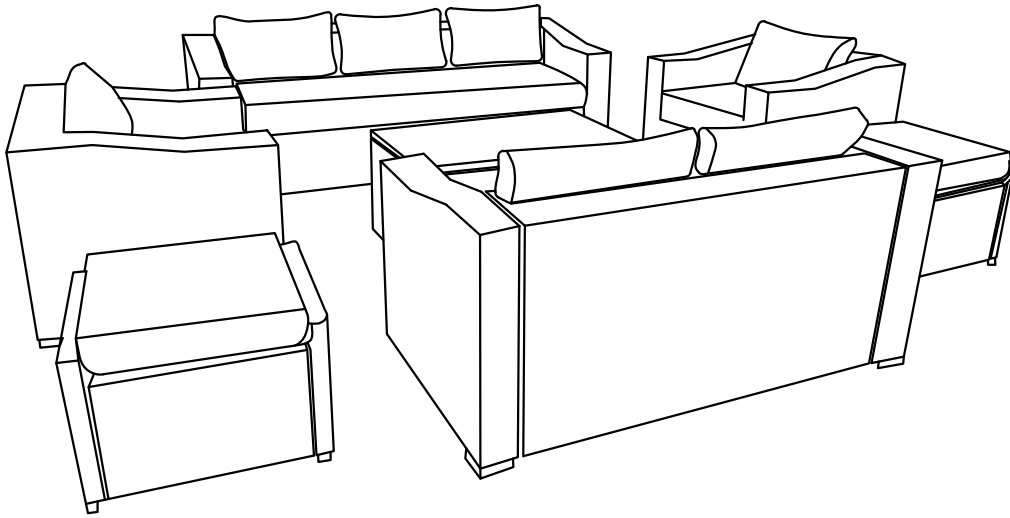


Sofa Assembly Instruction



Dear Customer,

After receiving the product, please check all the accessory codes and quantities according to the instruction manual, if there is any omission, please contact us in time. We will provide solutions for you.



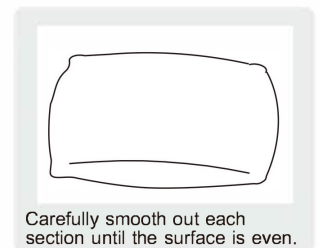
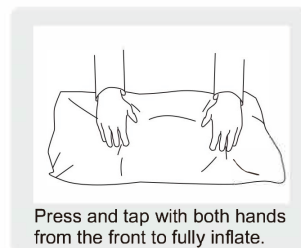
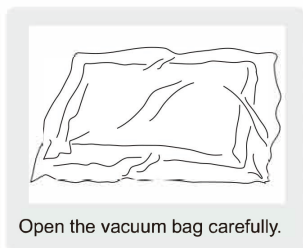
Safety and Care Advice

Important – Please read these instructions fully before starting assembly

Thanks for your purchase. Before the assembly, please follow the instruction to check if all the spare parts and screws are intact.



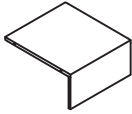
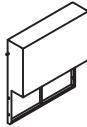
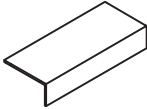
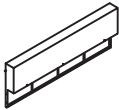
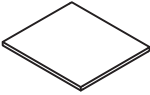



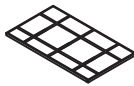










- Considering the size and weight of the sofa, we recommend two adults to assemble the sofa, on a carpeted or padded area, in the room that it is intended for. Approximate assembly time: 30 minutes.
- Keep all components and packaging out of reach of children or animals to avoid risk of choking or suffocation.
- Please do not throw away any of the packaging or the instruction until you have checked all the components and hardware and the furniture is fully assembled. Please ensure that the packaging is disposed of in a safe and environmentally friendly way.
- Please do not take off the cover, and do not wash.

Your cushions come vacuum packed and sealed for shipping. To restore the cushion's original shape, follow the steps below.



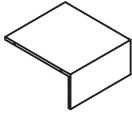
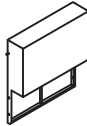
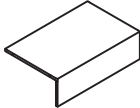
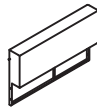
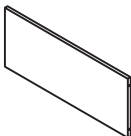
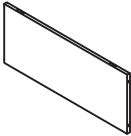
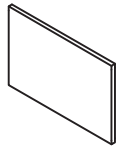





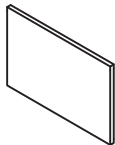


After packing up, place them in somewhere dry and ventilated. After about 72-96hours. It can be restored to the best use condition.

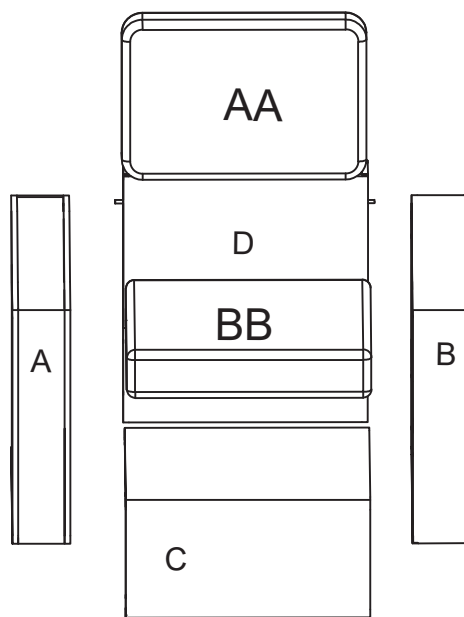
box 1

 A X2	 B X2	 C X1	 D X1	 K X1	 L X1
 X X2	 Y X4	 Z X4	 M X1	 R X1	 PVC board S X1
 BB cushion for single sofa X1	 DD cushion for 3-seater sofa X1	 AA back cushion X4	 EE cushion for ottoman X2	 E M6 x 35 X48	 F M6 x 45 X21
 G X3	 T ST5*15 X6	 U M6 x 30 X20			

box 2

 A X2	 B X2	 C X1	 D X1	 H X1	 J X1
 N X1	 P X1	 Q X1	 W X2	 V X4	
 BB cushion for single sofa X1	 CC cushion for 2-seater sofa X1	 AA back cushion X3	 Q1 X1		

single sofa
X2

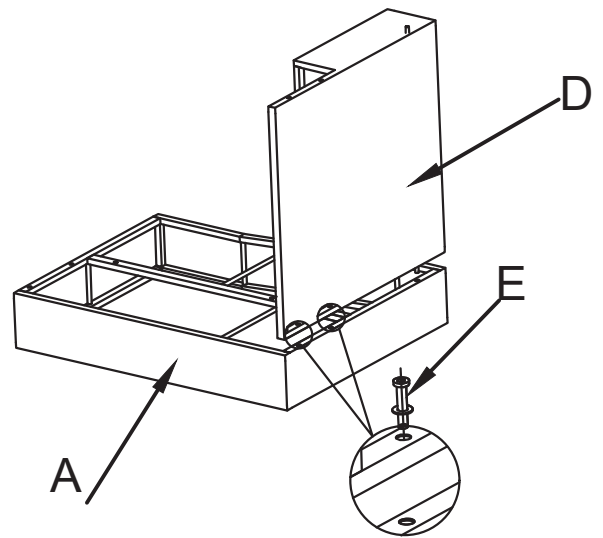



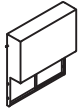

A	2	B	2	C	2	D	2
AA	2	BB	2				

Hardware parts

M6 x 35		M6 x 45			
E	16	F	8	G	

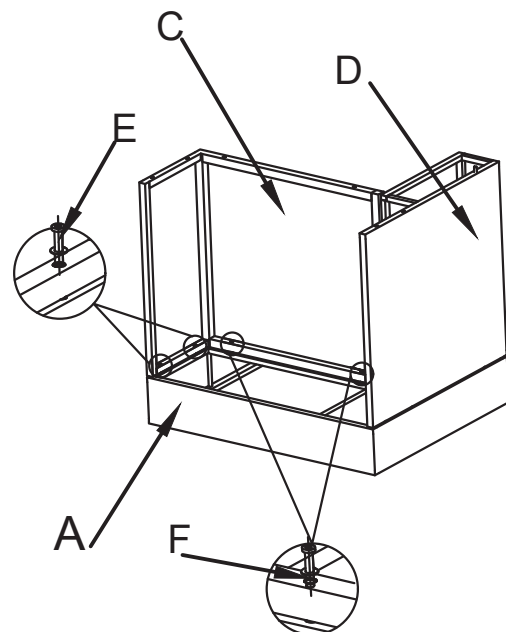
STEP 1






		
A	1	M6 x 35
D	1	E
		2

Please DO NOT tighten the screws at this step yet. Wait to tighten all the screws until the product is fully installed.

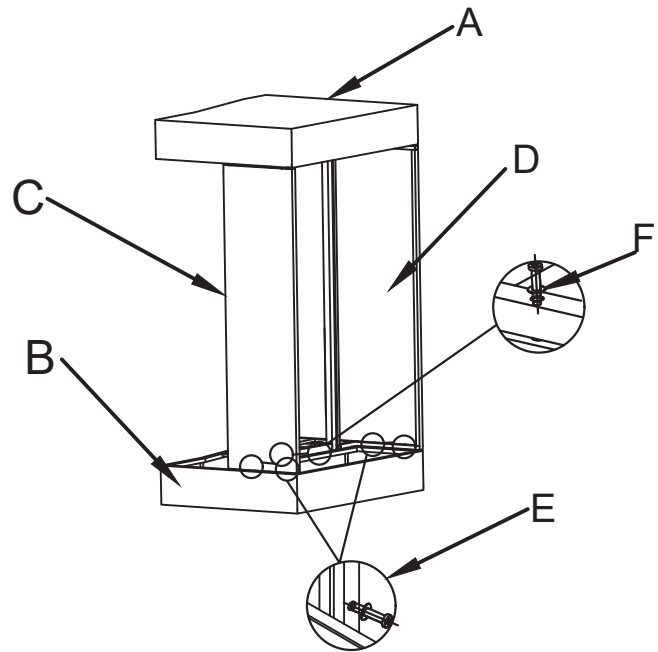
STEP 2






		
C	M6 x 35	M6 x 45
1	E	F
	2	2

Please DO NOT tighten the screws at this step yet. Wait to tighten all the screws until the product is fully installed.

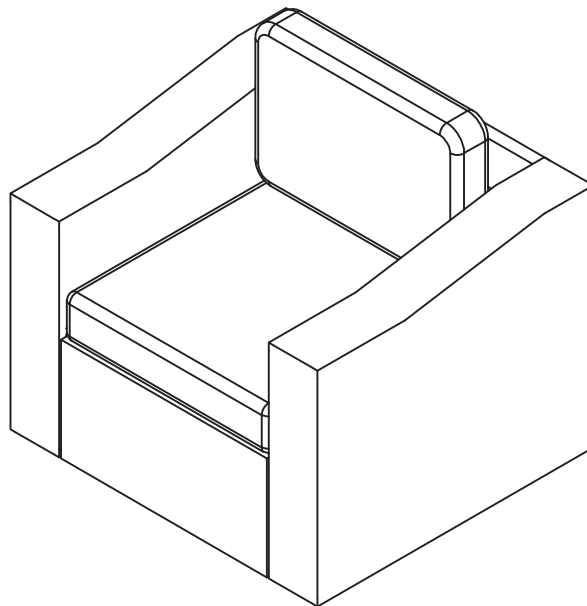
STEP 3



					
B	1	E	4	F	2

Please tighten screws.

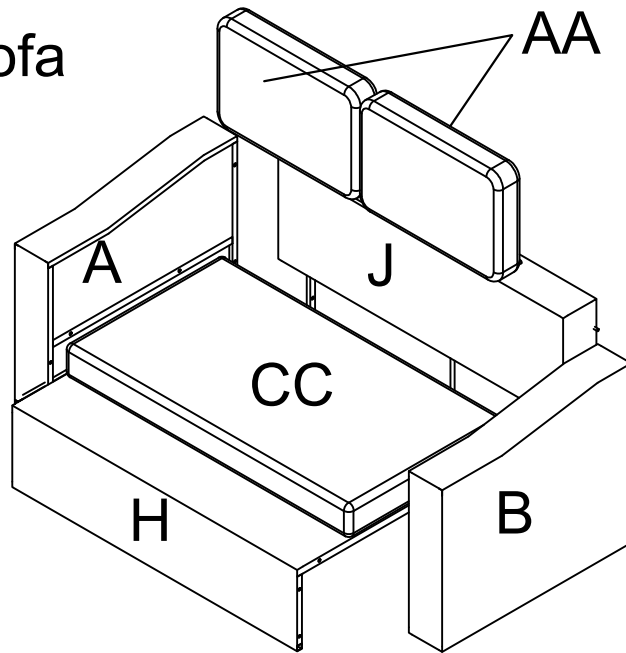
STEP 4



X2

Repeat steps 1-3 to assemble another single sofa.

2-seater sofa

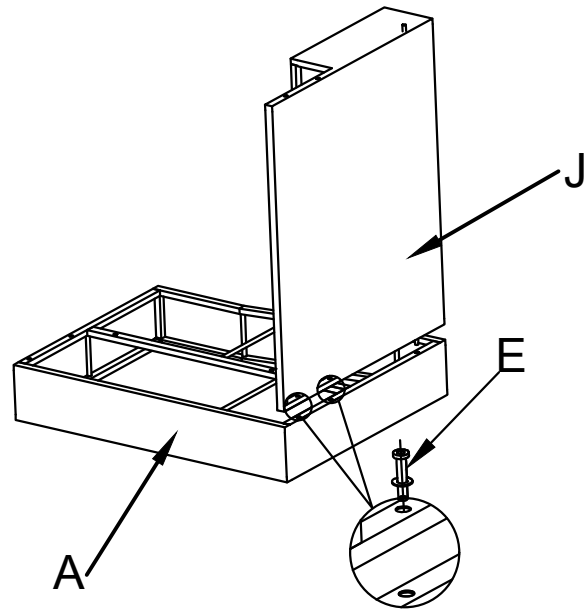



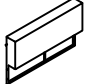

A	1	B	1	H	1	J	1
AA	2	CC	1				

Hardware parts

M6 x 35		M6 x 45			
E	8	F	6	G	

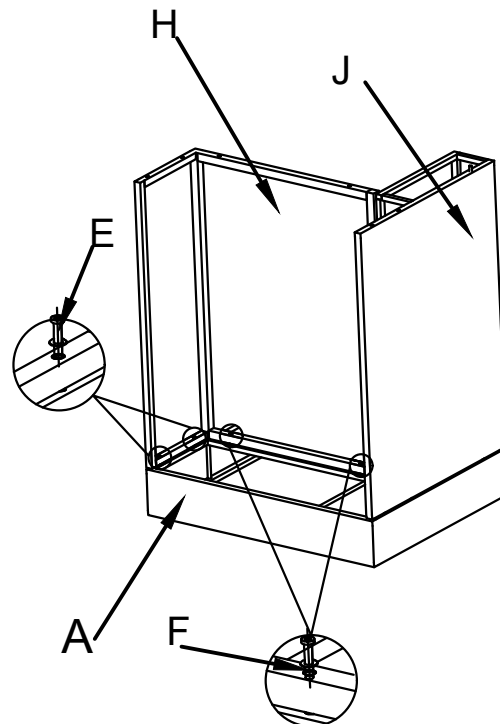
STEP 5

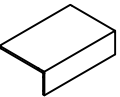
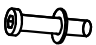



		
A	1	M6 x 35
A	1	J
E	2	

Please DO NOT tighten the screws at this step yet. Wait to tighten all the screws until the product is fully installed.

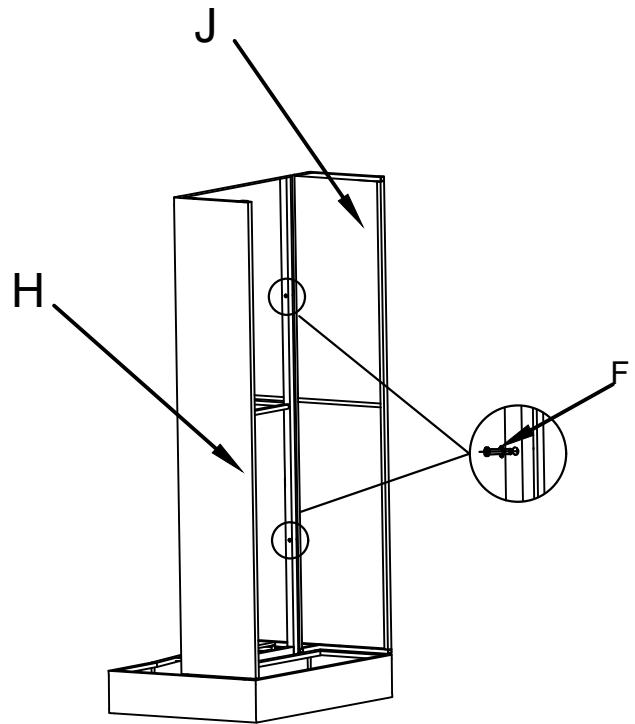
STEP 6




		
H	M6 x 35	M6 x 45
H	1	J
E	2	F
F	2	

Please DO NOT tighten the screws at this step yet. Wait to tighten all the screws until the product is fully installed.

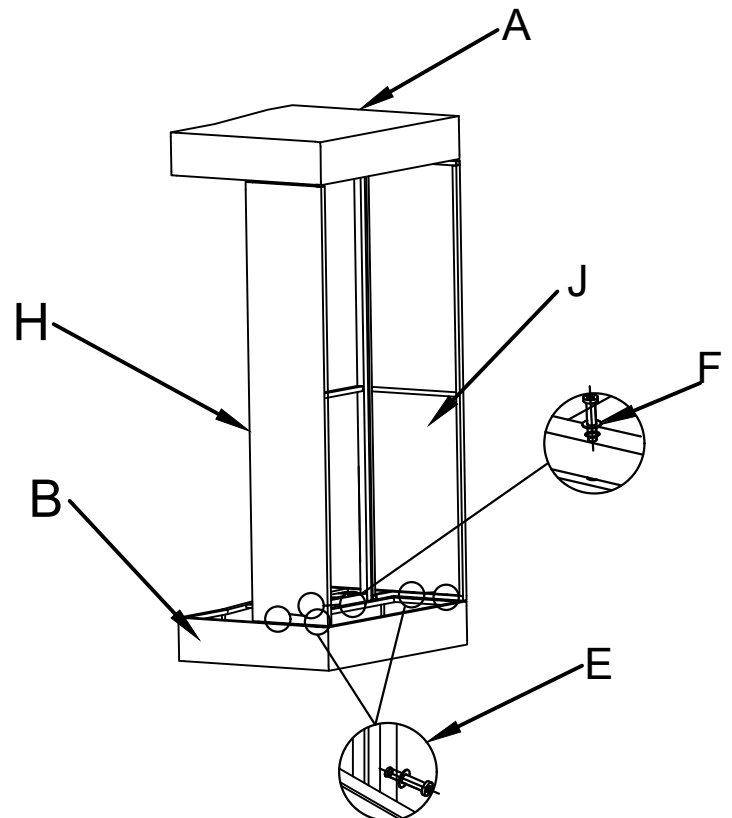
STEP 7






 M6 x 45	
F	2

Please DO NOT tighten the screws at this step yet. Wait to tighten all the screws until the product is fully installed.

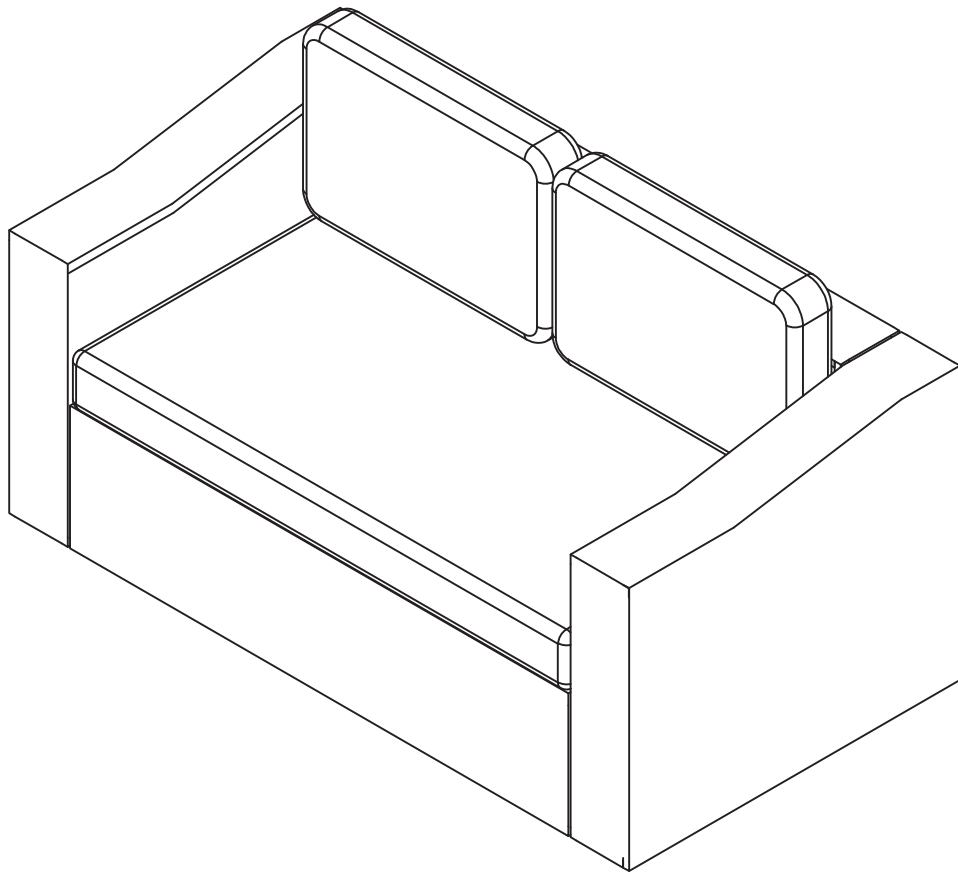
STEP 8



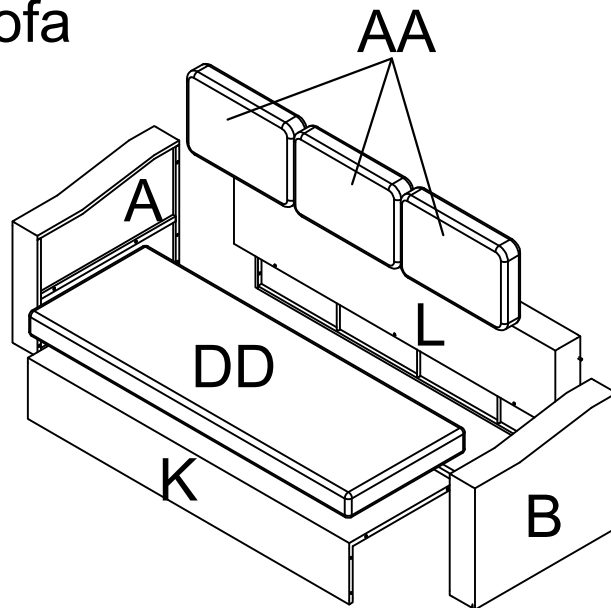
		 M6 x 35		 M6 x 45	
B	1	E	4	F	2

Please tighten all screws

STEP 9



3-seater sofa

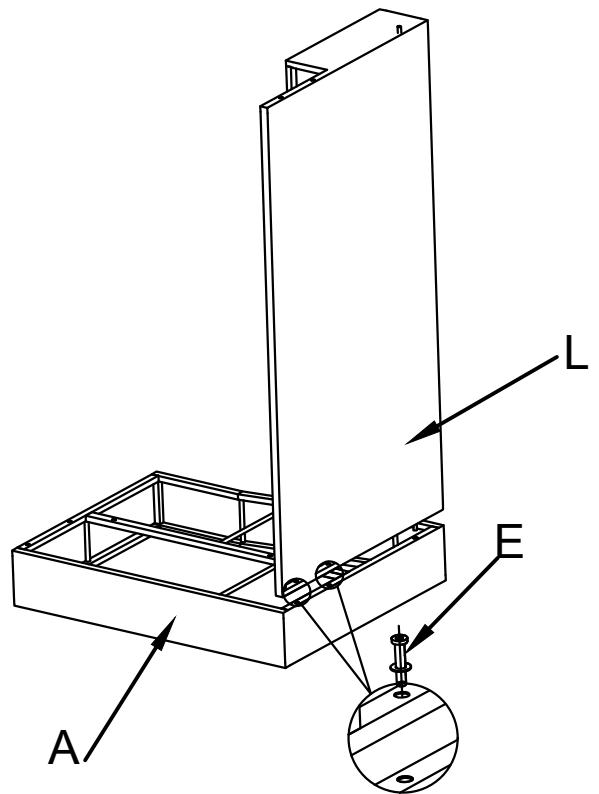



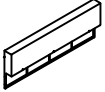

A	1	B	1	K	1	L	1
AA	3	DD	1				

Hardware parts

M6 x 35		M6 x 45			
E	8	F	7	G	

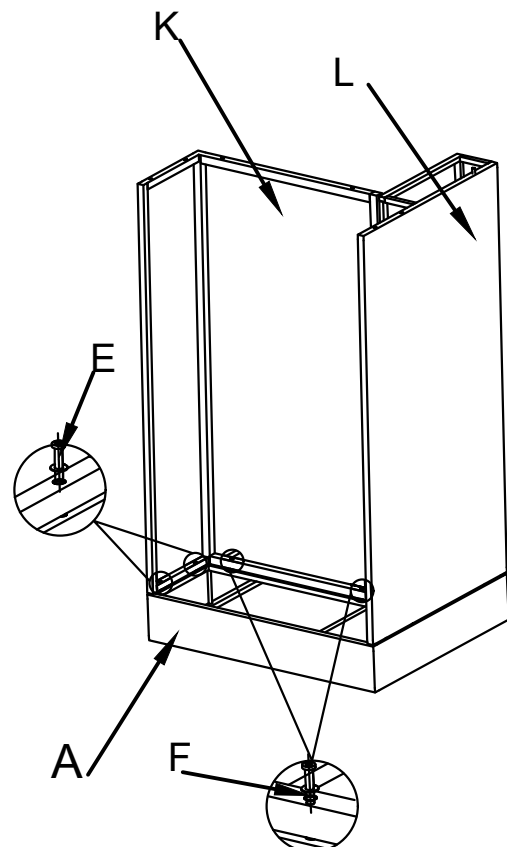
STEP 10

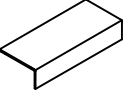




					
		M6 x 35			
A	1	L	1	E	2

Please DO NOT tighten the screws at this step yet. Wait to tighten all the screws until the product is fully installed.

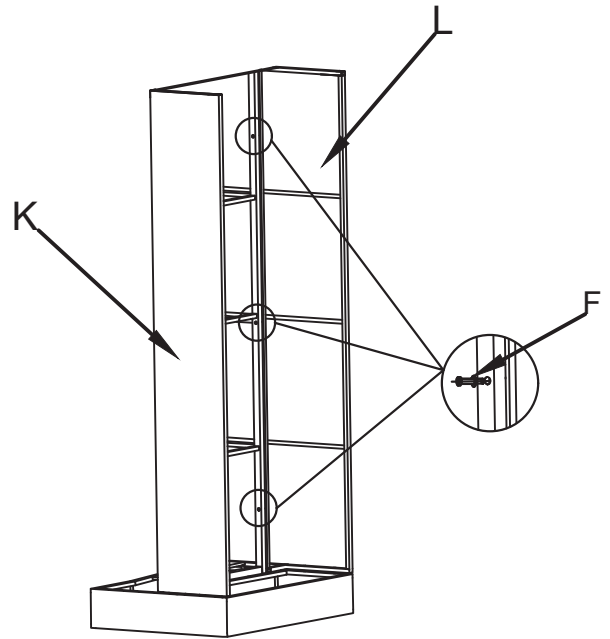
STEP 11




					
		M6 x 35			
		M6 x 45			
K	1	E	2	F	2

Please DO NOT tighten the screws at this step yet. Wait to tighten all the screws until the product is fully installed.

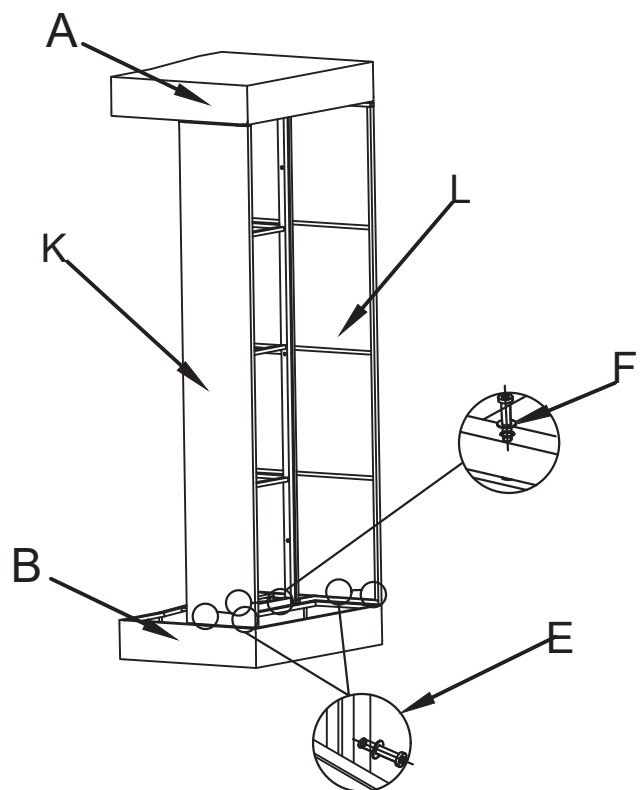
STEP 12






 M6 x 45	
F	3

Please DO NOT tighten the screws at this step yet. Wait to tighten all the screws until the product is fully installed.

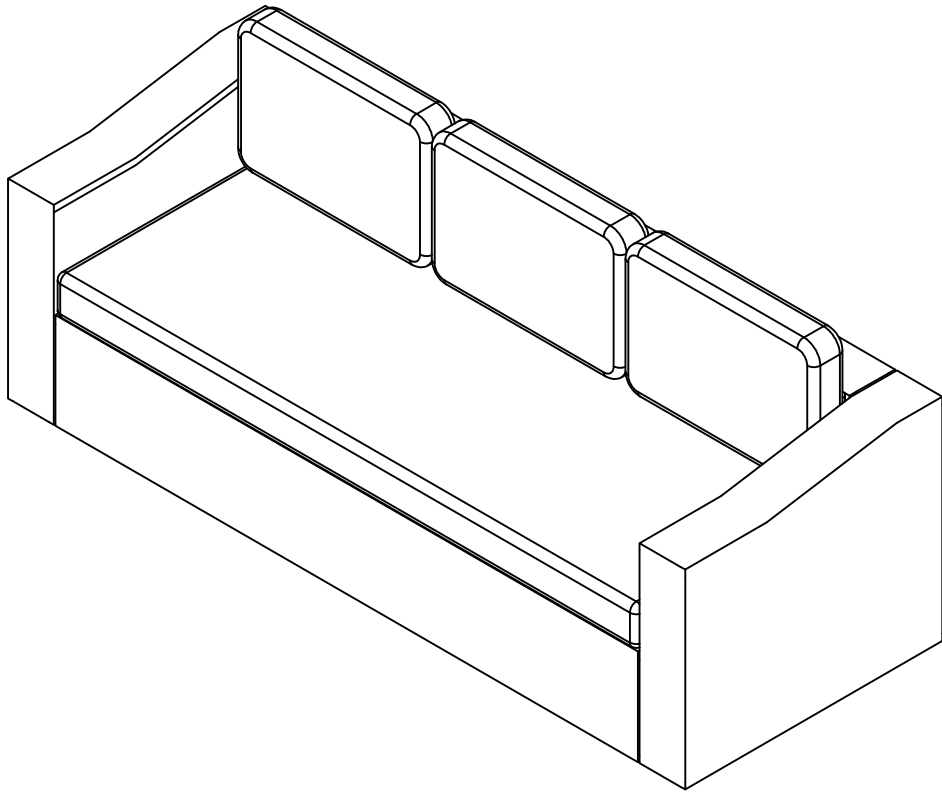
STEP 13



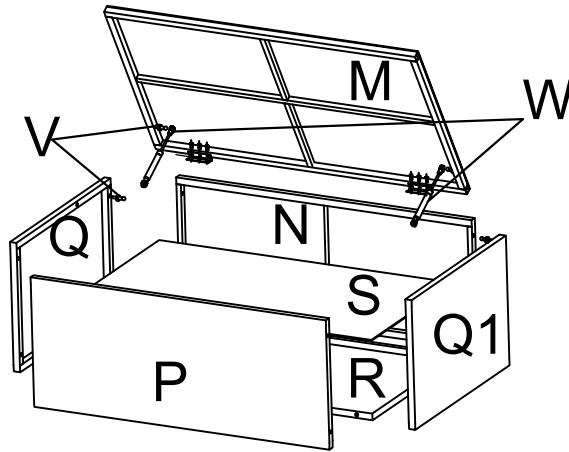
		 M6 x 35		 M6 x 45	
B	1	E	4	F	2

Please tighten all screws.

STEP 14



coffee table

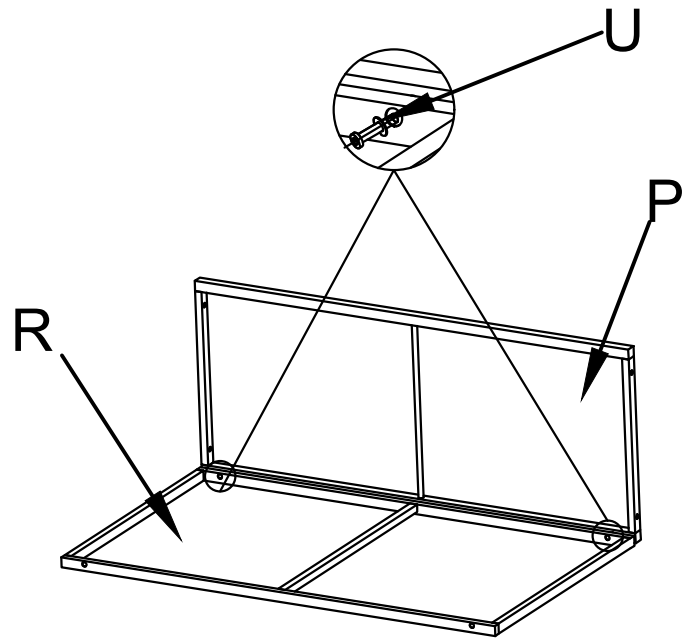


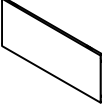
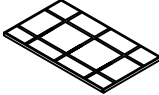

M	1	N	1	P	1	Q	1
R	1	S	1	W	2	Q1	1

Hardware parts

M6 x 30						ST5*15	
U	12	v	4	G		T	6

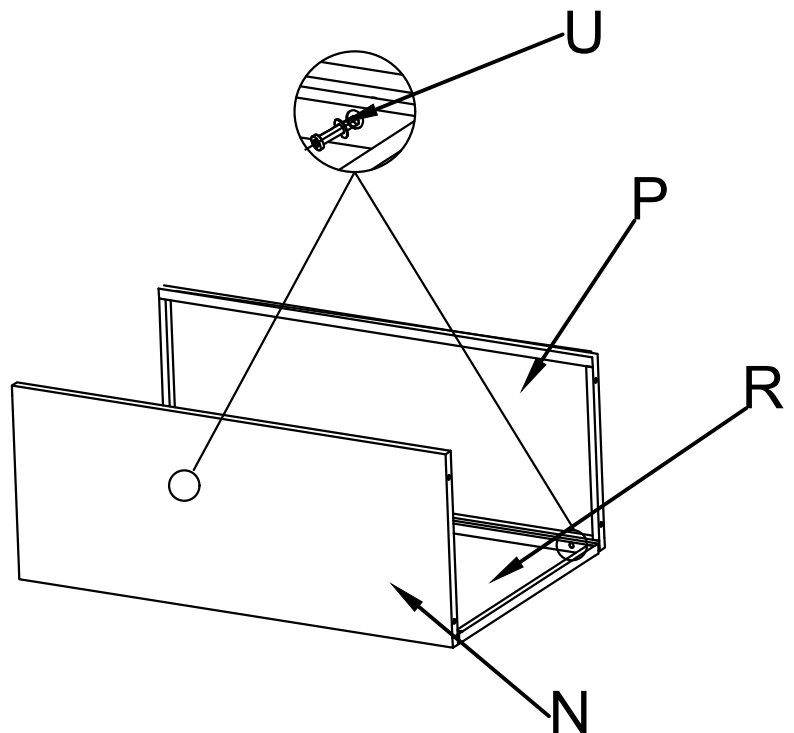
STEP 15

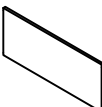



		 M6 x 30			
P	1	R	1	U	2

Please DO NOT tighten the screws at this step yet. Wait to tighten all the screws until the product is fully installed.

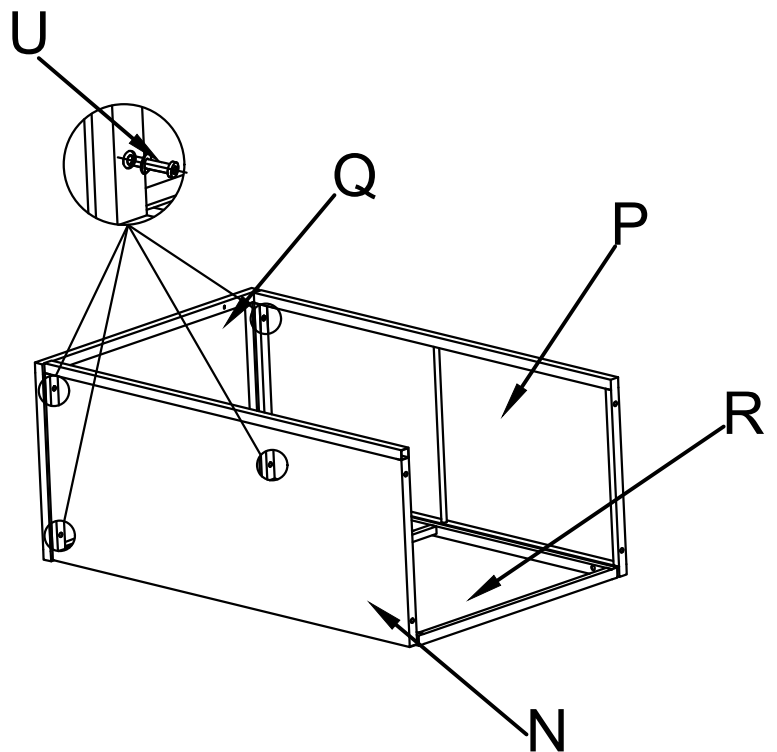
STEP 16

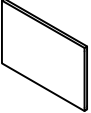



	 M6 x 30		
N	1	U	2

Please DO NOT tighten the screws at this step yet. Wait to tighten all the screws until the product is fully installed.

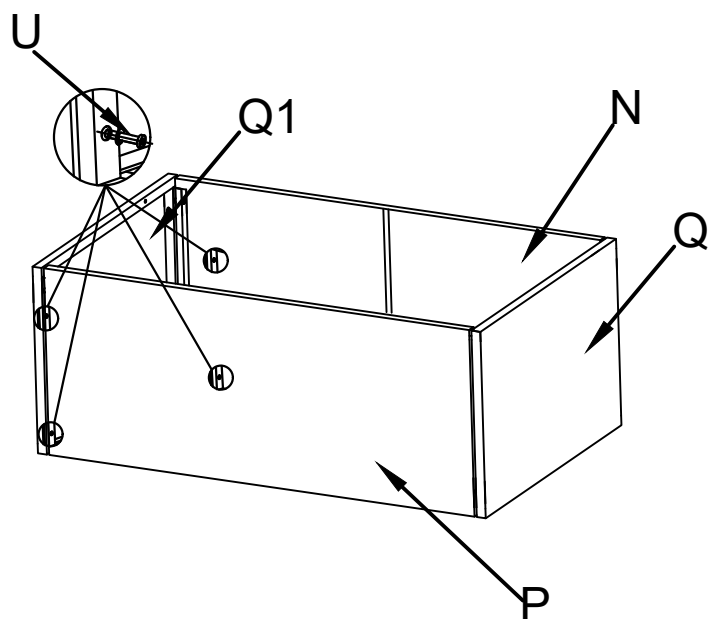
STEP 17

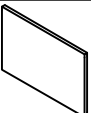



		 M6 x 30	
Q	1	U	4

Please DO NOT tighten the screws at this step yet. Wait to tighten all the screws until the product is fully installed.

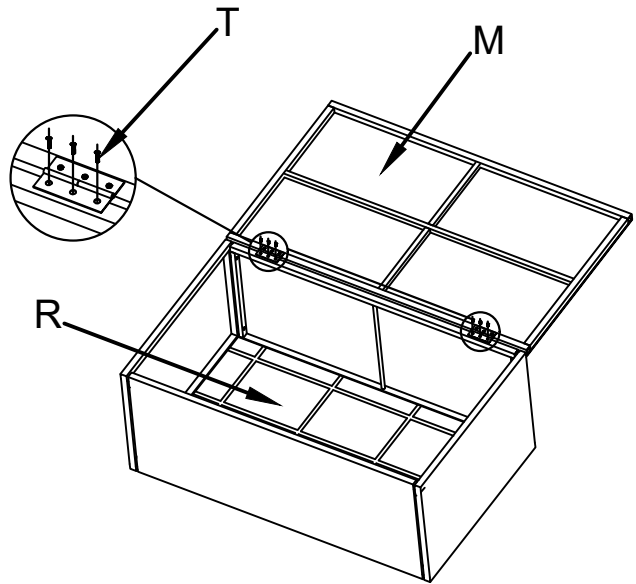
STEP 18

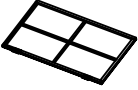



		 M6 x 30	
Q1	1	U	4

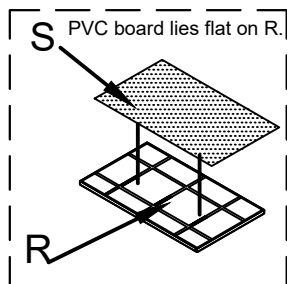
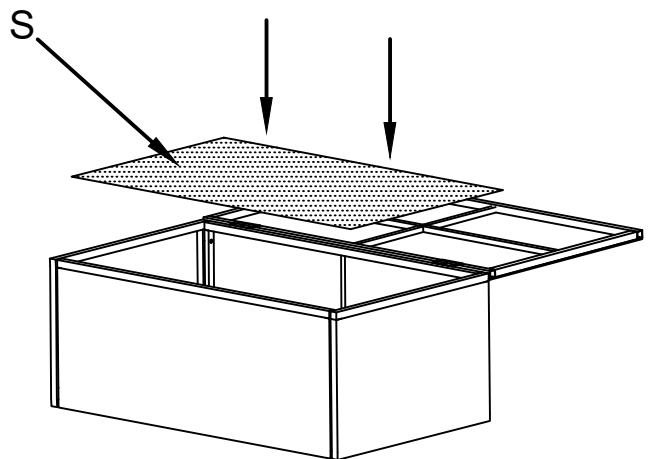
Please tighten screws.


STEP 19



		 ST5*15	
M	1	T	6

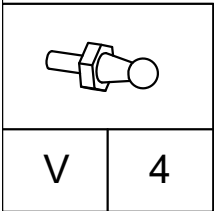
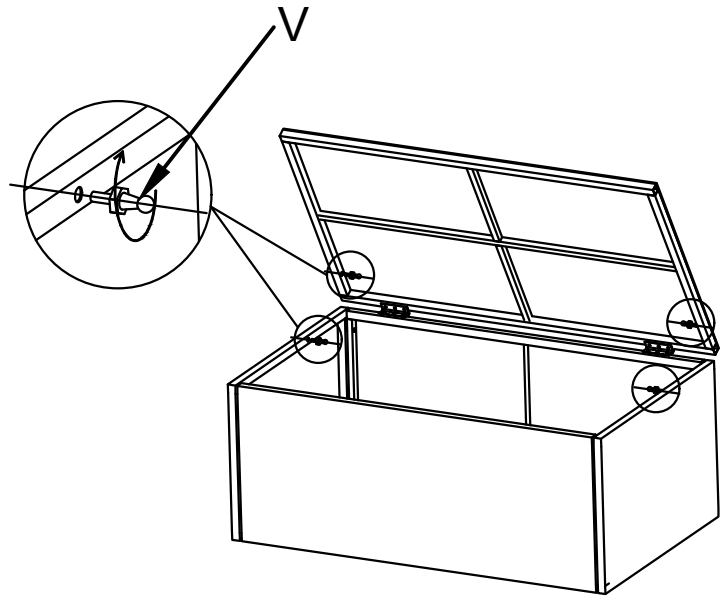
STEP 20



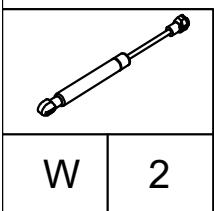
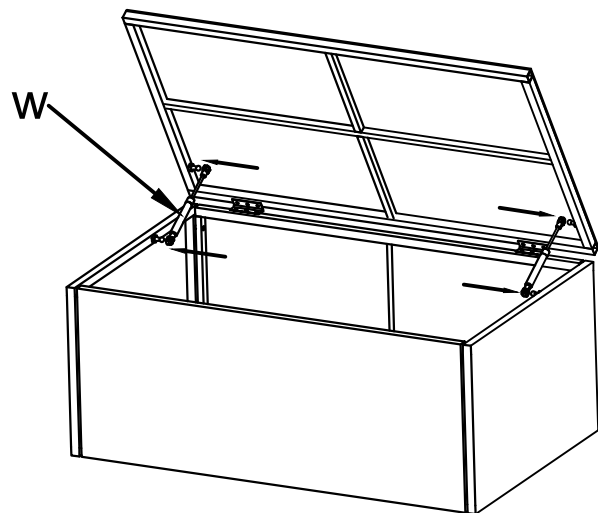
	
PVC board	
S	1

Please DO NOT tighten the screws at this step yet. Wait to tighten all the screws until the product is fully installed.

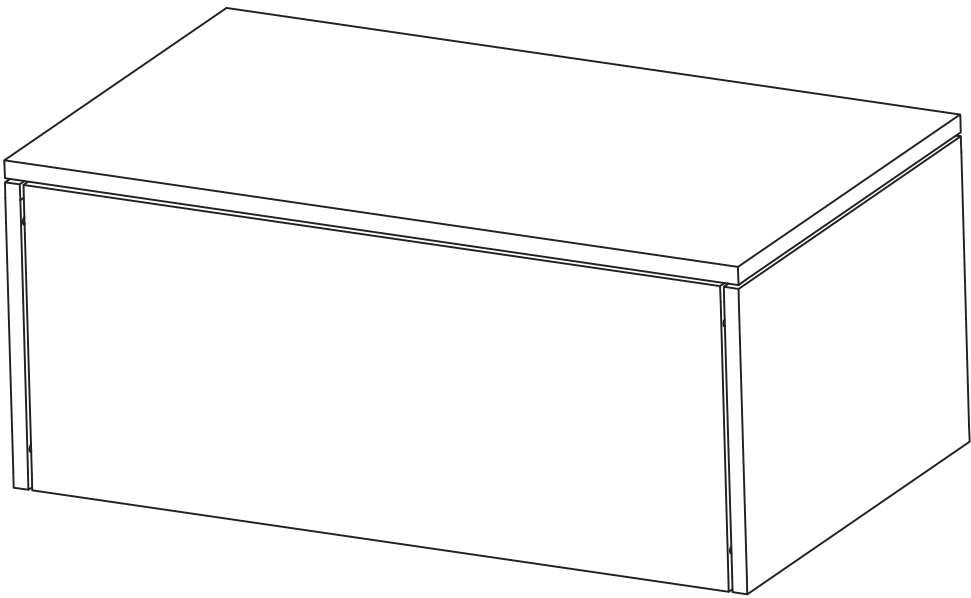
STEP 21



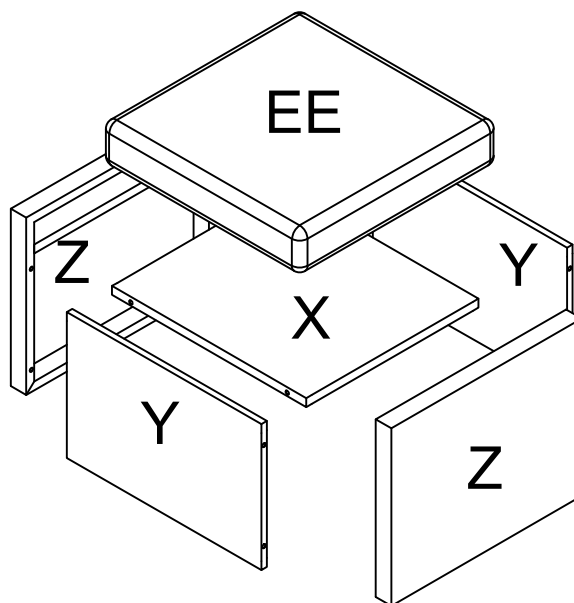
STEP 22



STEP 23



ottoman X2

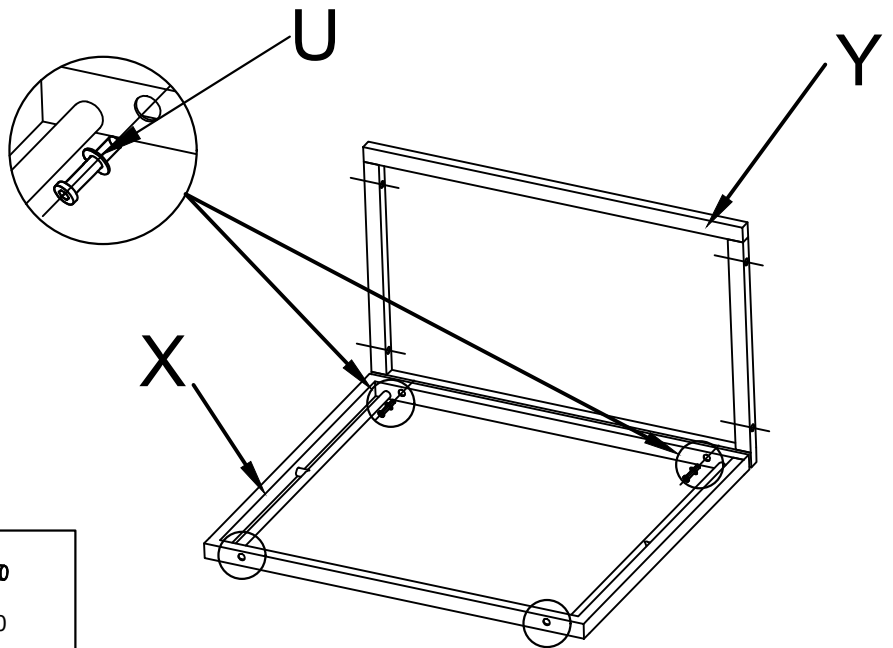


X	2	Y	4	Z	4	EE	2

Hardware parts

M6 x 30		M6 x 35			
U	8	E	16	G	

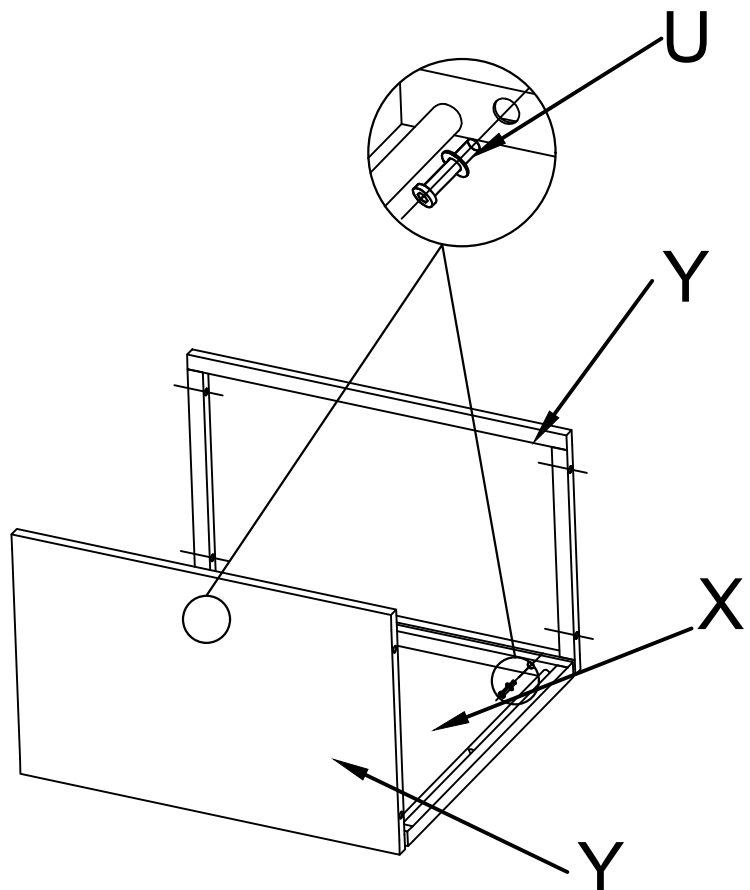
STEP 24



X	1	Y	1	U	2

Please DO NOT tighten the screws at this step yet. Wait to tighten all the screws until the product is fully installed.

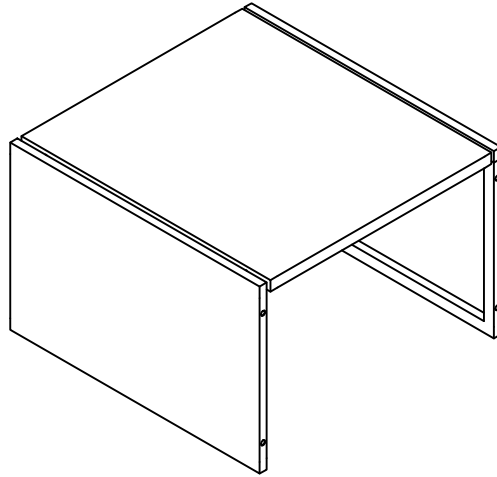
STEP 25



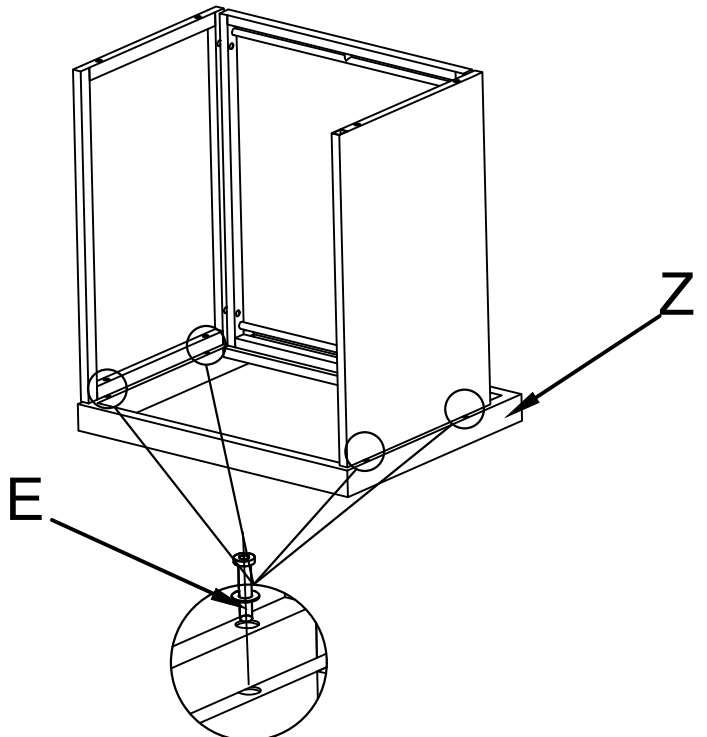
Y	1	U	2



Please DO NOT tighten the screws at this step yet. Wait to tighten all the screws until the product is fully installed.

STEP 26



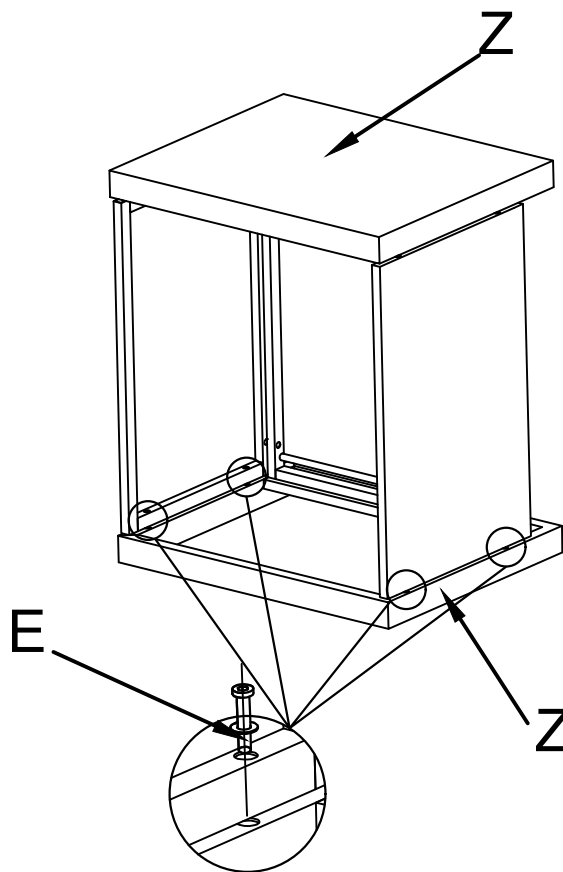
STEP 27





	 M6 x 35		
Z	1	E	4

Please DO NOT tighten the screws at this step yet. Wait to tighten all the screws until the product is fully installed.

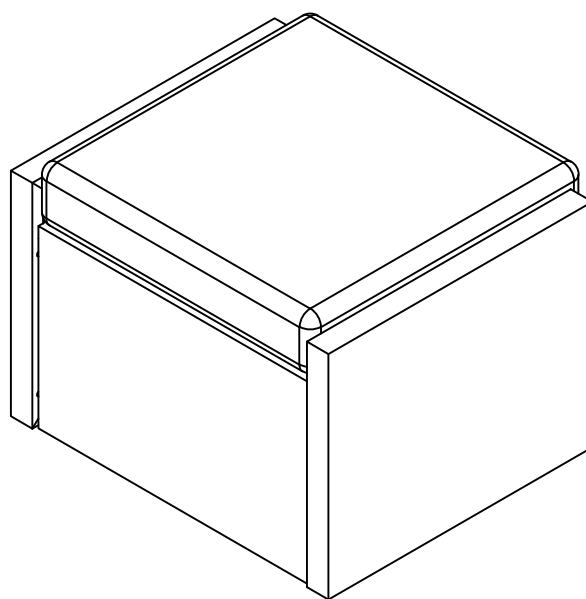
STEP 28



	 M6 x 35		
Z	1	E	4

Please tighten screws.

STEP 29



X2

Repeat steps 24-28 to assemble another footstool.