



ASSEMBLY INSTRUCTIONS
UltraHD® Cabinet Stacker
(Model No. 20594, 20595)

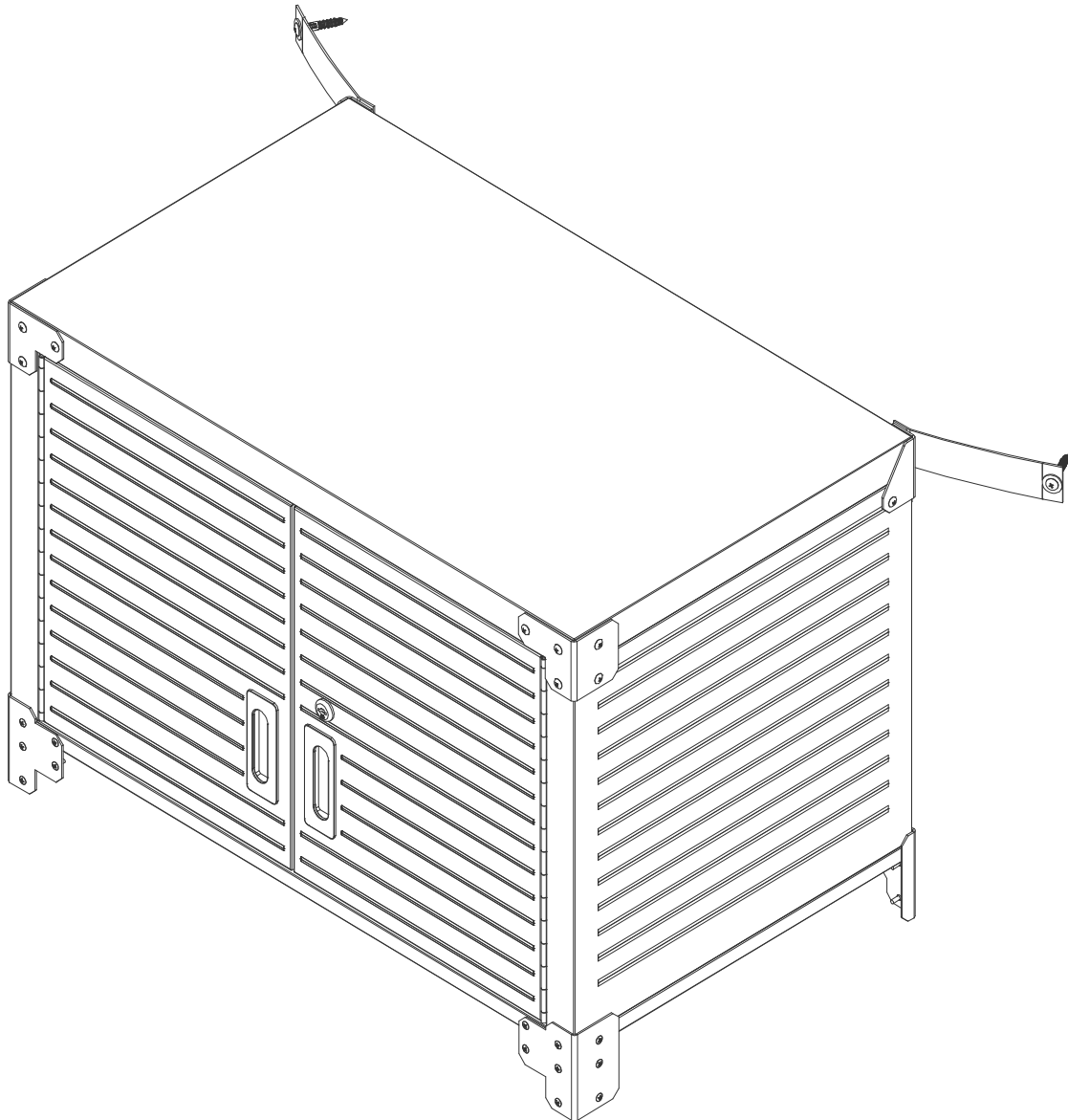
Granite Graphite

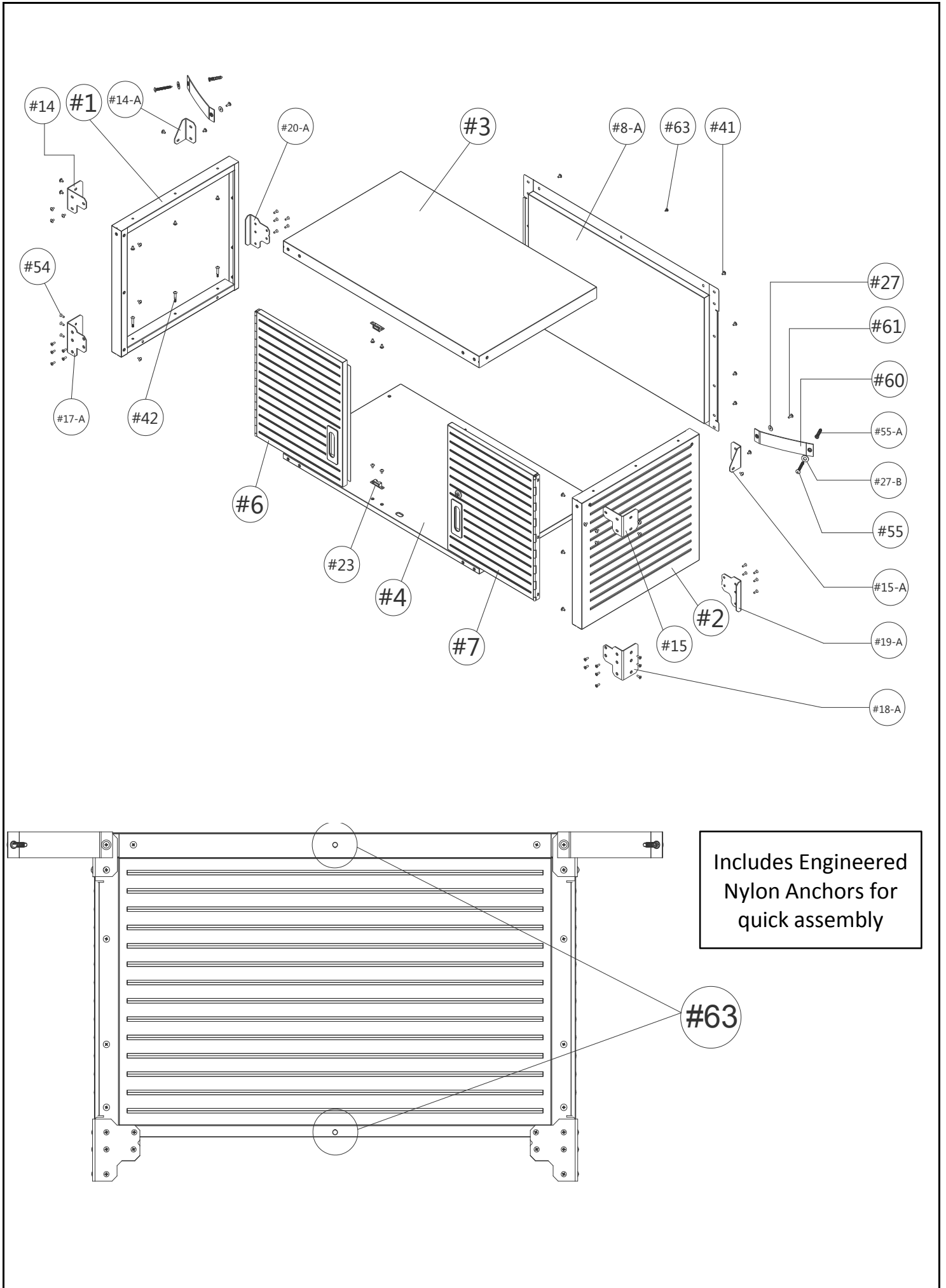
30in. W x 18in. D x 18.5in. H
(762cm x 45.7cm x 46.9cm H)

ULTRAGUARD®

FINGERPRINT RESISTANT SURFACES
AND INCREASED DURABILITY

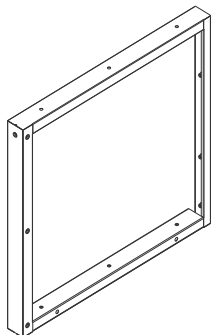
Reference page 9 for special care
and maintenance of stainless steel



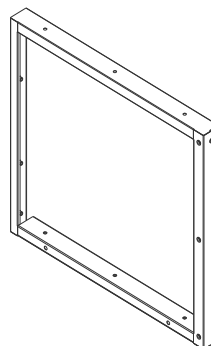


PARTS LIST

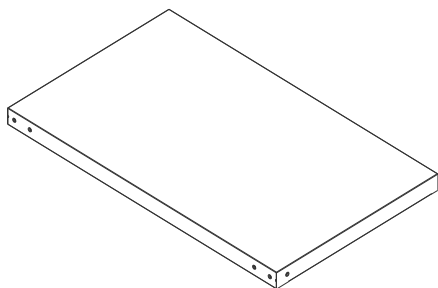
Please check the parts carefully according to the parts list. If you are missing any parts, please call our customer service department (please see page 10.)



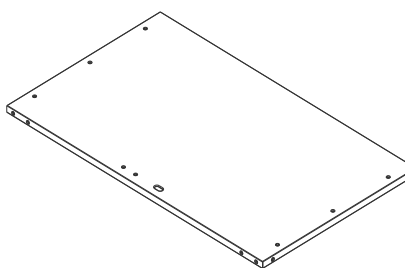
(#1) Left Panel x 1 PC



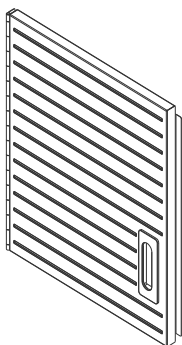
(#2) Right Panel x 1 PC



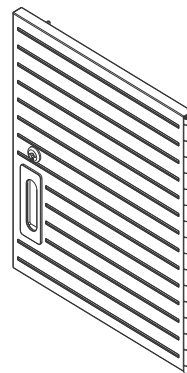
(#3) Top Panel x 1 PC



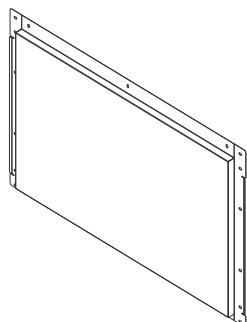
(#4) Bottom Panel x 1 PC



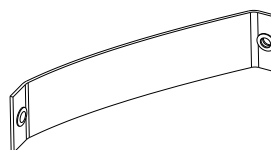
(#6) Left Door x 1 PC



(#7) Right Door x 1 PC



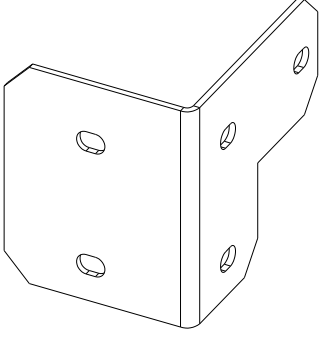
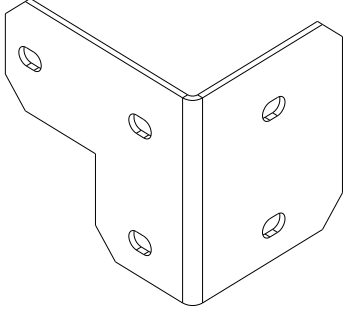
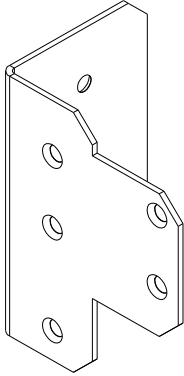
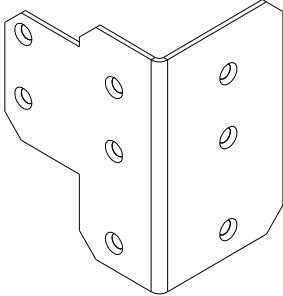
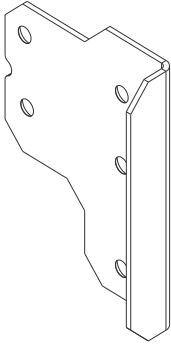
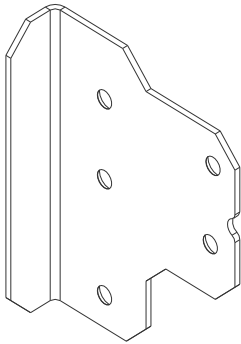
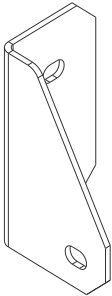
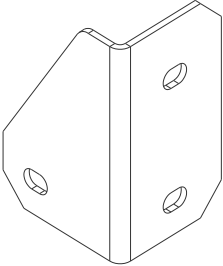
(#8-A) Back Panel x 1 PC



(#60) Mounting Strap x 2 PCS

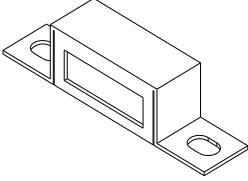
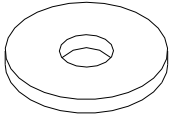
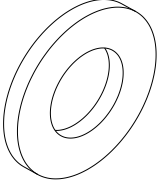
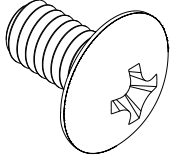
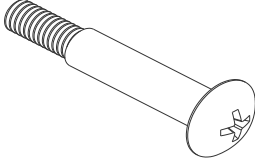
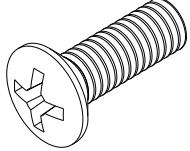
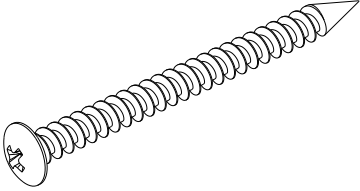
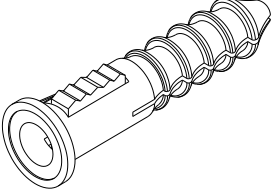
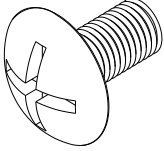
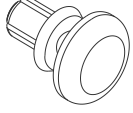
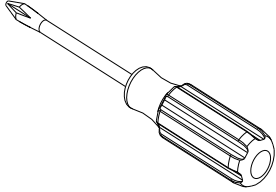
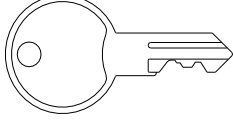
PARTS LIST

Please check the parts carefully according to the parts list. If you are missing any parts, please call our customer service department (please see page 10.)

	
<p>(#14) Corner Protection A x 1 PC</p>	<p>(#15) Corner Protection B x 1 PC</p>
	
<p>(#17-A) Left Front Bottom Corner Protection x 1 PC</p>	<p>(#18-A) Right Front Bottom Corner Protection x 1 PC</p>
	
<p>(#19-A) Right Back Bottom Corner Protection x 1 PC</p>	<p>(#20-A) Left Back Bottom Corner Protection x 1 PC</p>
	
<p>(#14-A) Left Back Upper Corner Protection D x 1 PC</p>	<p>(#15-A) Right Back Upper Corner Protection C x 1 PC</p>

PARTS LIST

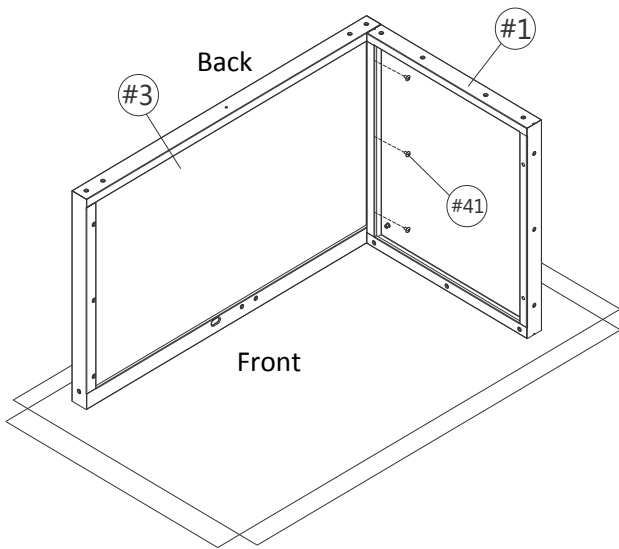
Please check the parts carefully according to the parts list. If you are missing any parts, please call our customer service department (please see page 10.)

	
<p>(#23) Magnet x 2 PCS</p>	<p>(#27) WASHER (M4) x 2 PCS</p>
	
<p>(#27-B) WASHER (M8)x 2 PCS</p>	<p>(#41) Screw F (M4 x 8L) x 40 PCS</p>
	
<p>(#42) Screw G (M4 x 30L) x 6 PCS</p>	<p>(#54) Screw N (M4 x 10L) x 26 PCS</p>
	
<p>(#55) Screw M (M6 x 50L) x 2 PCS</p>	<p>(#55-A) Wall Anchor x 2 PCS</p>
	<p>Included for quick assembly</p> 
<p>(#61) Screw O (M4 x 12L) x 2 PCS</p>	<p>(#63) Engineered Nylon Anchor x 2 PCS</p>
	
<p>(#21) Screw Driver x 1 PC</p>	<p>(#22) KEY x 2 PCS</p>

UltraHD® Cabinet Stacker (Model No. 20594,20595)



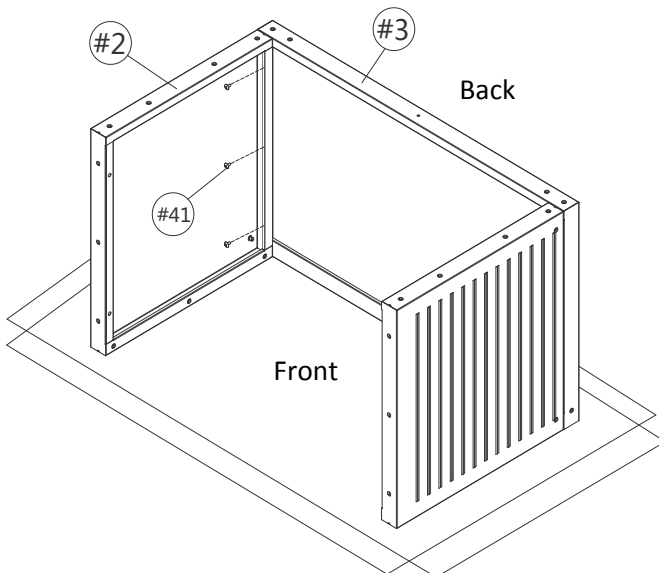
NOTE: We recommend using TWO people to assemble the cabinet



TIP: A magnetic screwdriver is included for your convenience. If a power screwdriver is used, keep on a low torque setting.

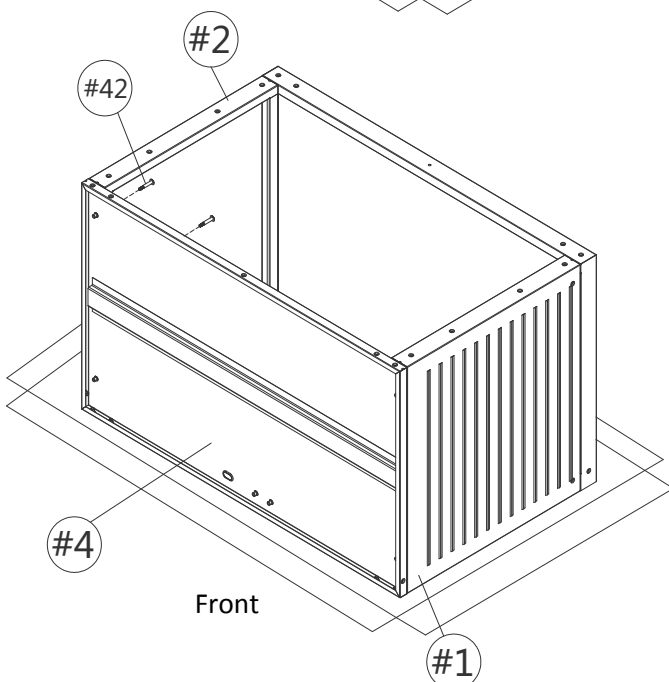
Step 1: Install Left Panel (#1) to the Top Panel (#3)

Place the Left Panel (#1) on the ground vertically. Make sure the front of the panel faces downward. Place the Top Panel (#3) next to the Left Panel (#1). Line up the screw holes, use 3 pcs of Screw F (#41) to tighten.



Step 2: Install Right Panel (#2)

Place the Top Panel (#3) and Right Panel (#2) vertically. Line up the screw holes, use 3 pcs of Screw F (#41) to tighten.



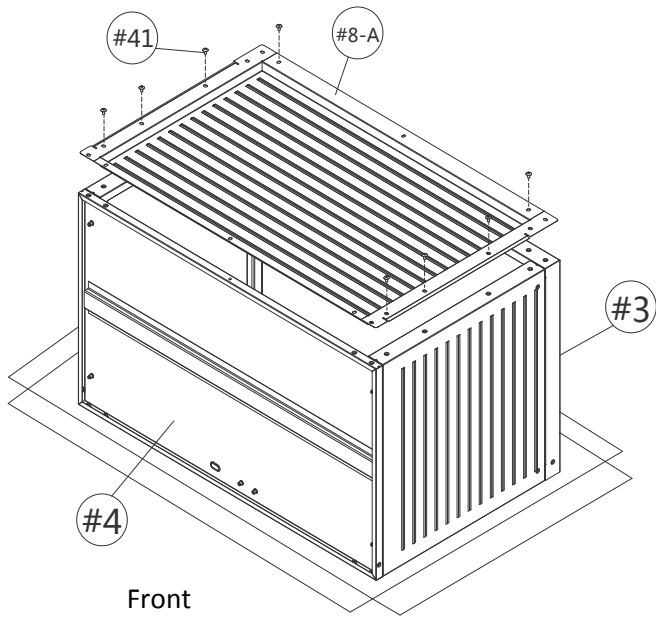
Step 3: Install Bottom Panel (#4).

Attach the Bottom Panel (#4) to the Left and Right Side Panels (#1 and #2). Make sure the front of the panel faces downward. Use 6 pcs of Screws G (#42) to assemble the panels.

UltraHD® Cabinet Stacker (Model No. 20594,20595)



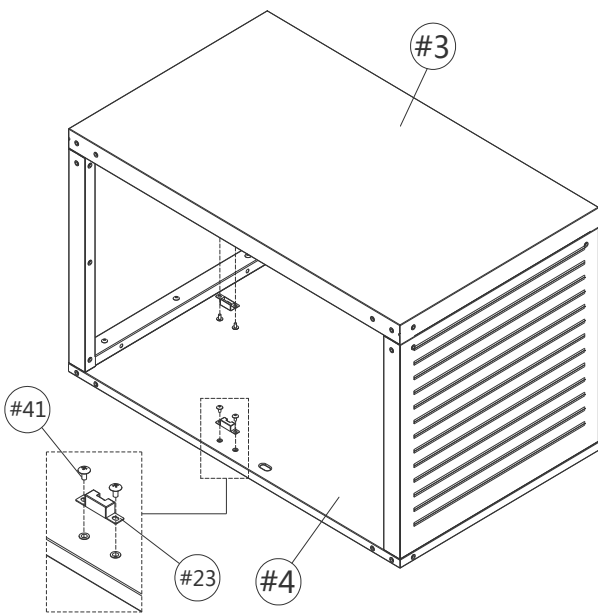
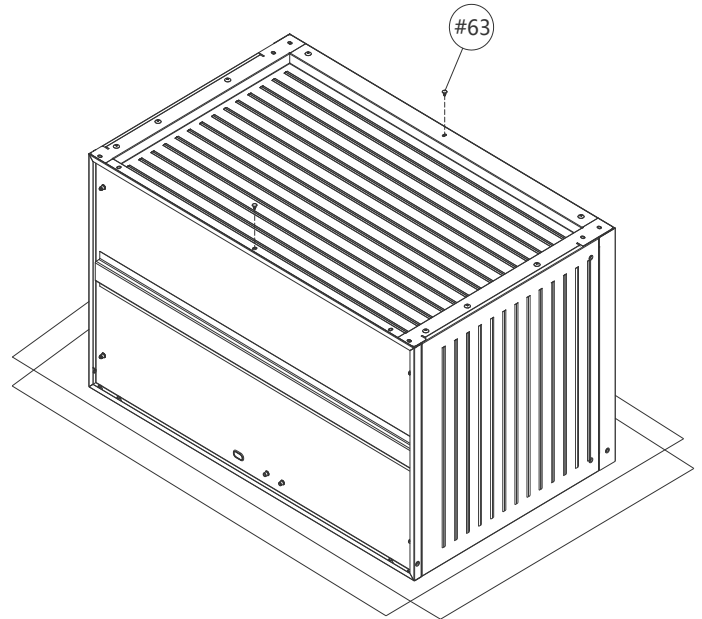
NOTE: We recommend using TWO people to assemble the cabinet



Step 4: Install Back Panel (#8-A).

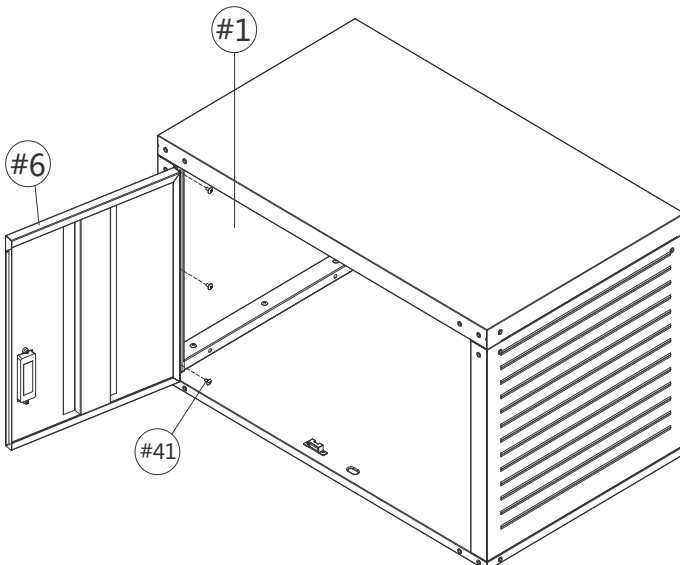
1. Place the Back Panel (#8-A) onto both Left and Right Side Panels (#1 and #2) and Top and Bottom Panel (#3 and #4). Use the 8 pcs of Screw F (#41) to tighten.

2. Use Engineered Nylon Anchor (#63), Line up the screw holes (as shown below), and press firmly into them.



Step 5: Install Magnet (#23)

Use 4 pcs of Screw F (#41) to install the Magnet (#23) on the Top Panel (#3) and the Bottom Panel (#4).



Step 6: Install Left Door (#6)

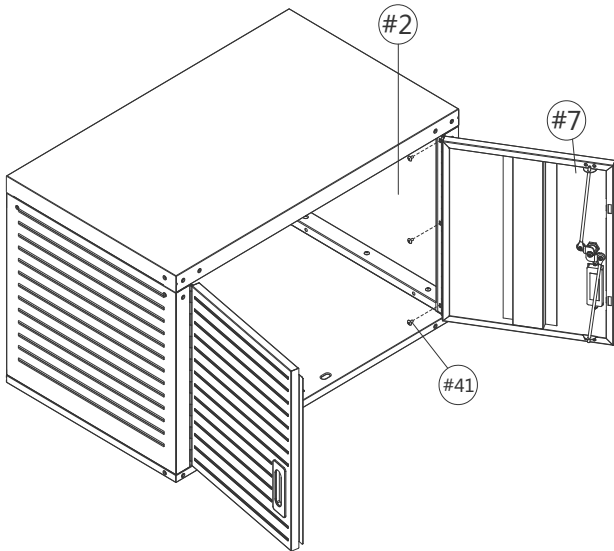
Attach the Left Door (#6) to the Left Panel (#1). Use 3 pcs of Screw F (#41) to tighten the Door Panel.

Note: The screw holes on the door hinge have tolerance, enabling the door to be adjusted and centered in the door frame.

UltraHD® Cabinet Stacker (Model No. 20594,20595)



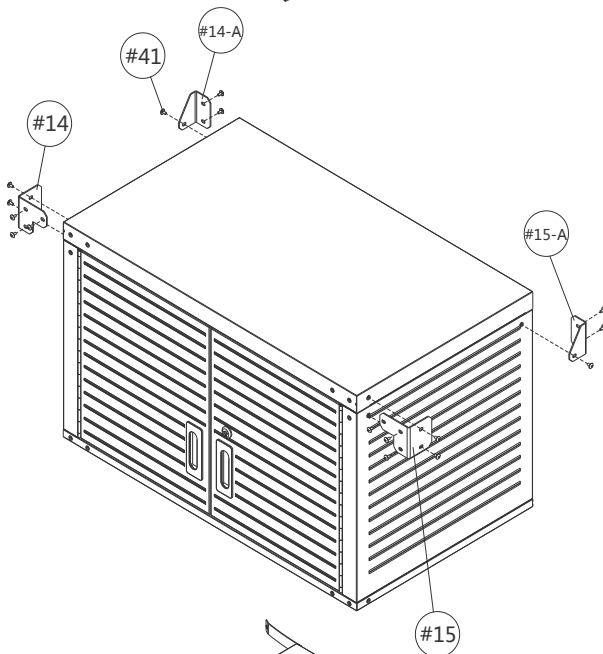
NOTE: We recommend using TWO people to assemble the cabinet



Step 7: Install Right Door (#7)

Attach the Right Door (#7) to the Right Panel (#2). Use 3 pcs of Screw F (#41) to tighten the Door Panel.

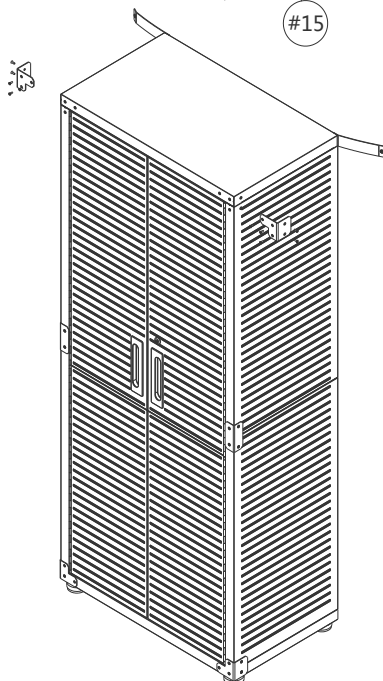
Note: The screw holes on the door hinge have tolerance, enabling the door to be adjusted and centered in the door frame.



Step 8: Install the Corner Protection A&B (#14&15) , Left Back Upper and Right Back Upper Corner Protection C&D(#14-A-A)

1. Use 10 pcs of Screws F (#41) to install the Corner Protection A and B (#14 and #15) onto the top front of the cabinet.
2. Use 6 pcs of Screw F (#41) to install the Corner Protection C and D (#14-A and #15-A) onto the top back of the cabinet.

Note Fully tighten the screws after all the corner protections are attached.

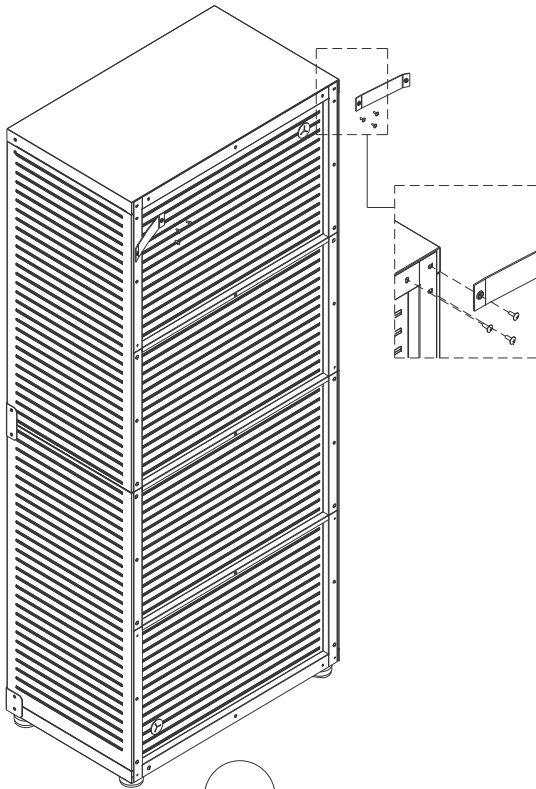


Step 9: Remove the top Corner Protection brackets from Model No. 20162B /20163B Tall Cabinet as the left photo shows.

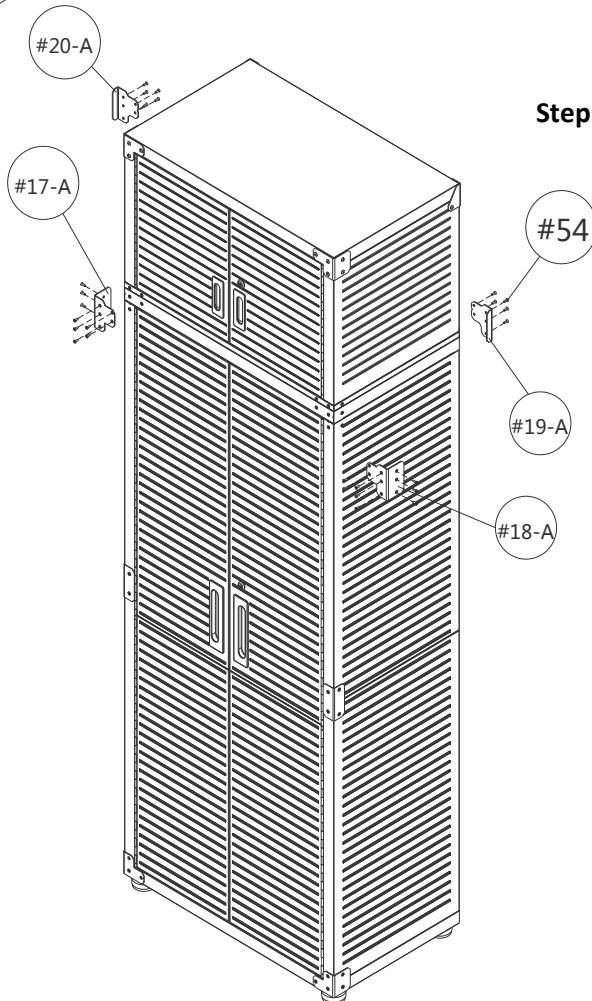
UltraHD® Cabinet Stacker (Model No. 20594,20595)



NOTE: We recommend using TWO people to assemble the cabinet



Step 10: Remove 2 pcs (#60) Mounting Strap and screws from the top back panel of 20162B/20163B.



Step 11: Attach Cabinet Stacker Model No. 20594/20595

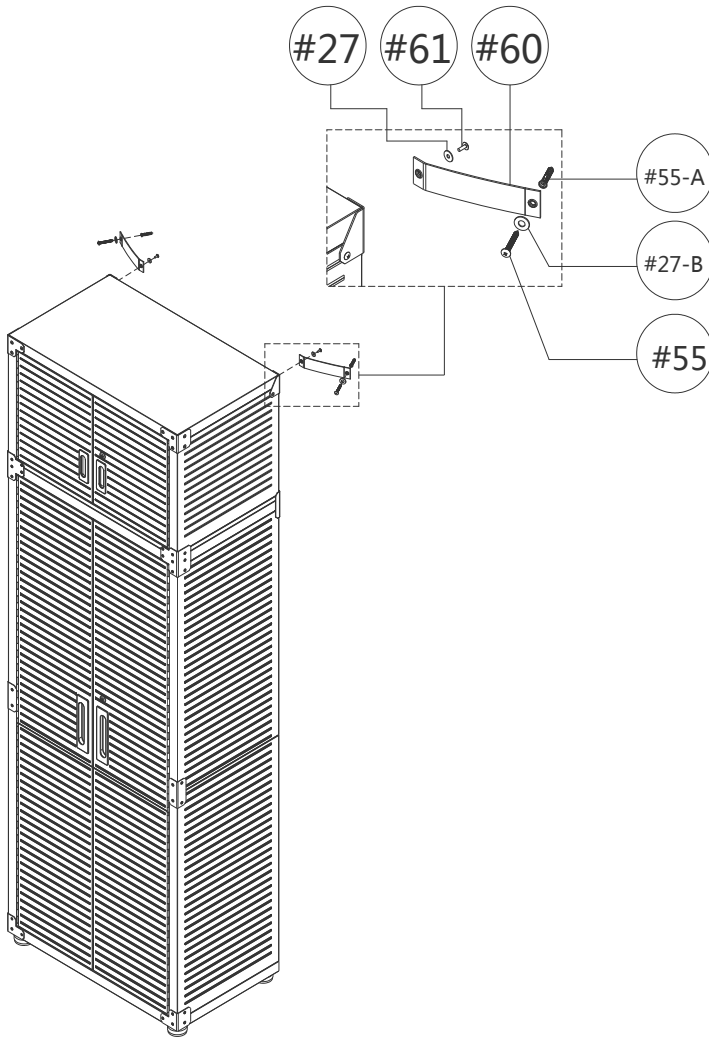
A. Place Cabinet Stacker Model No. 20594 / 20595 on top of 20162B/20163B.

B. Attach the Left Front Bottom Corner Protection (#17-A), Right Front Bottom Corner Protection (#18-A), Right Back Bottom Corner Protection (#19-A), Left Back Bottom Corner Protection (#20-A) on the bottom of the cabinet, use 26 pcs of Screw N (#54) to tighten.

UltraHD® Cabinet Stacker (Model No. 20594,20595)



NOTE: We recommend using TWO people to assemble the cabinet



Step 12: Install Mounting Strap (#60)

A. Remove 1 pc Screw F (#41) from the Right Back Upper Corner Protection.

B. Attach the Mounting Strap (#60) to the back Corner Protection brackets as the left photo shows using Screw O (#61) and Washer (#27).

C. Drill a hole in the wall with a 5/16" drill bit, insert the Wall Anchor (#55-A) into the hole.

D. Attach the other end of the Mounting Strap (#60) to the wall using Screw M (#55) and Washer (#27-B).

Repeat steps A through D to install the other mounting strap.

Warning: To prevent possible tipping, it is suggested that the Mounting Straps be installed. For safety, secure the mounting straps to wood studs whenever possible.

Stainless Steel Maintenance:

These parts have an UltraGuard® fingerprint resistant finish. Do not use traditional stainless steel cleaners on this unit. Lightly wipe off once a month with clean warm water and a soft cloth (preferably a micro fiber cloth). This is the safest formula to prevent new stains from appearing over time and manage unwanted fingerprints or grease marks. Remember to always wipe in the direction of the surface grain (NEVER ACROSS) and always use a lint-free cloth. Once the surface is clean, thoroughly wipe dry with a soft absorbent cloth.

CONTACT INFORMATION

If you are missing any parts, have any questions, or need additional assistance in assembly, please contact our bilingual (English and Spanish) customer service department at:



Seville Classics, Inc.

19401 Harborgate Way Torrance, CA 90501 USA

Telephone: (800) 323-5565 within USA

Fax: (310) 533-3899

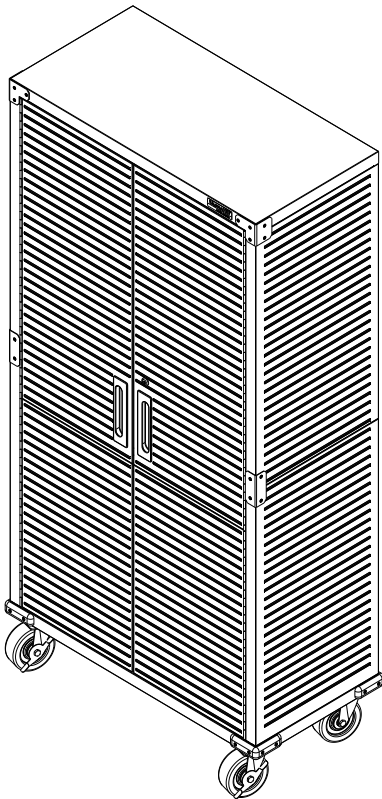
Hours: 9:00am - 4:30pm (Pacific Standard Time)

E-mail: support@sevilleclassics.com

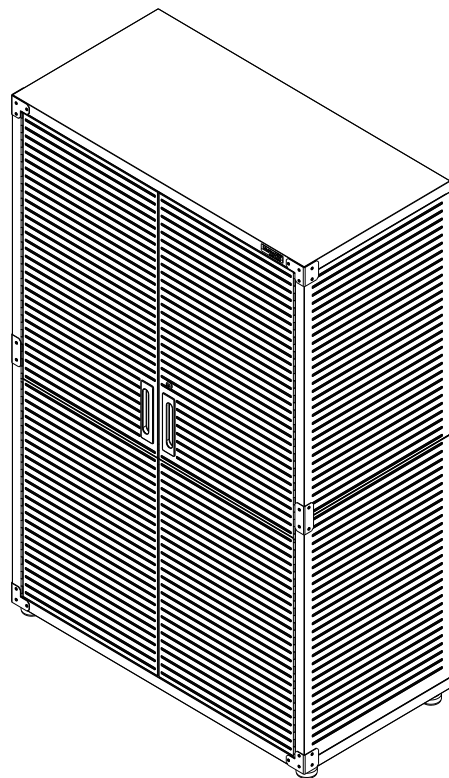
Website & Online Store: www.sevilleclassics.com

*****Please visit our website or call and inquire about our additional UltraHD Line*****

UltraHD® Line

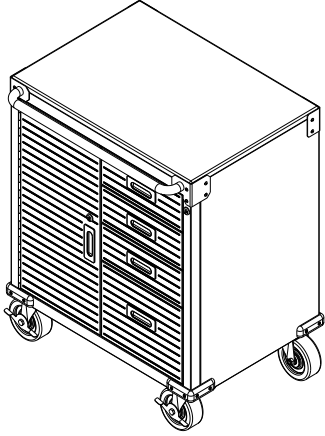


UltraHD® Tall Storage Cabinet
Model No. 16236 (Granite)
Model No. 20143 (Graphite)
Model No. 20153 (Red)
Model No. 20133 (White)



UltraHD® Mega Storage Cabinet
Model No. 16238 (Granite)
Model No. 20148 (Graphite)
Model No. 20158 (Red)

UltraHD® Line

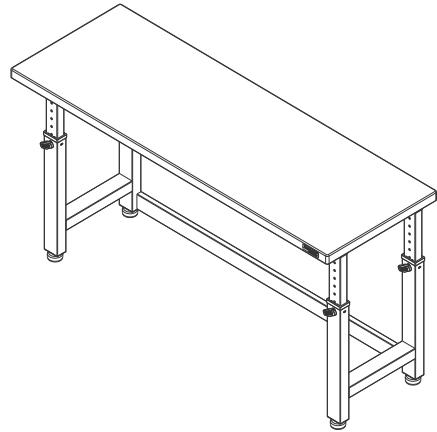


UltraHD® 4-Drawer Rolling Cabinet

Model No. 20205 (Granite)

Model No. 20258 (Graphite)

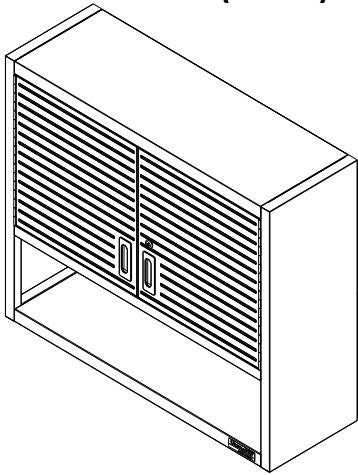
Model No. 20252 (White)



UltraHD® 6-Foot Height Adjustable Workbench

Model No. 20293 (Granite)

Model No. 20292 (Graphite)

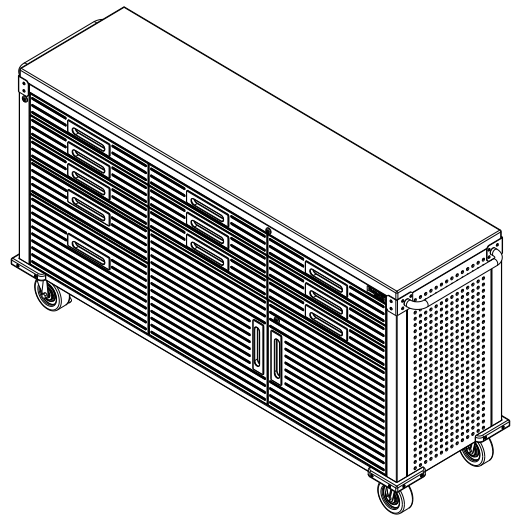


UltraHD® Wall Cabinet with Open Shelf

Model No. 20230 (Granite)

Model No. 20140 (Graphite)

Model No. 20150 (Red)

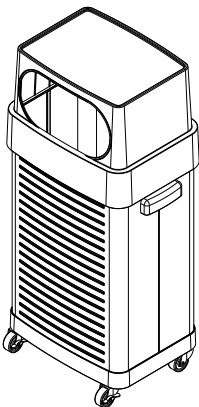


UltraHD® 2-Door Rolling Workbench

Model No. 20262 (Granite)

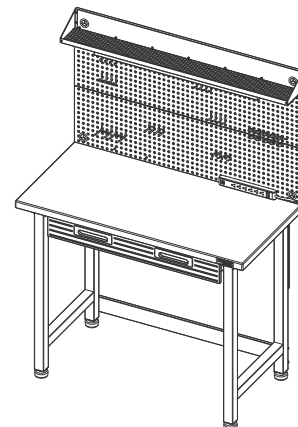
Model No. 20142 (Graphite)

Model No. 20152 (Red)



UltraHD® Trash Bin

Model No. 20215



UltraHD® Lighted Workcenter

Model No. 20247 (Granite)

Model No. 20246 (Graphite)

Model No. 20157 (Red)