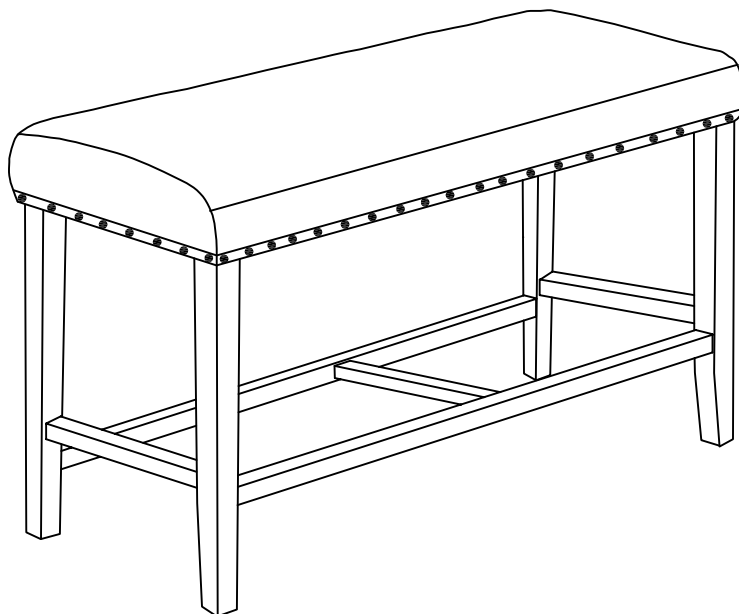


ASSEMBLY INSTRUCTIONS



TOOLS REQUIRED



Allen Wrench

(Included)



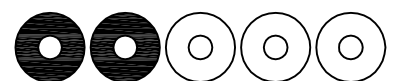
Phillips
Screwdriver

(Not Included)



2 - People
Recommended

ASSEMBLY RATING



EASY —————> DIFFICULT

The Assembly Rating is a 5-point system showing the level of effort needed to assemble a specific product.

PRE ASSEMBLY INTRODUCTION

We understand building ready-to-assemble furniture can be a challenging experience for some. To help avoid confusion, we have provided some helpful tips that may speed up the process.



Teamwork

ALWAYS have at least two people to help with transporting and assembling the product to avoid potential injury and/or damage.



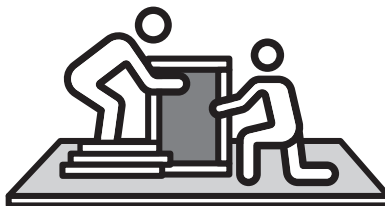
Suitable Location

Assembling near the area of the intended location is highly recommended.



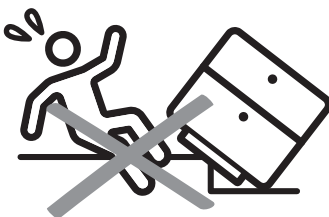
Sufficient Space

Make sure you have enough space to move around during the assembly.



Avoid Scratches

Use cardboard, blankets or a carpeted area while assembling furniture to prevent scratches.



Flat Surface

Make sure the furniture rests on a flat and level surface with each leg evenly touching the floor.

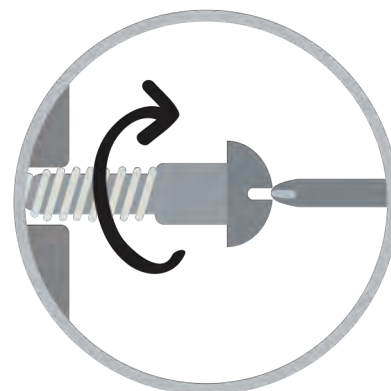
ASSEMBLY AND CARE ADVICE



FAILURE TO FOLLOW THE GUIDELINES BELOW MAY RESULT IN INJURY AND/OR PROPERTY DAMAGE.



Position each part correctly and insert screws or bolts into their respective holes.



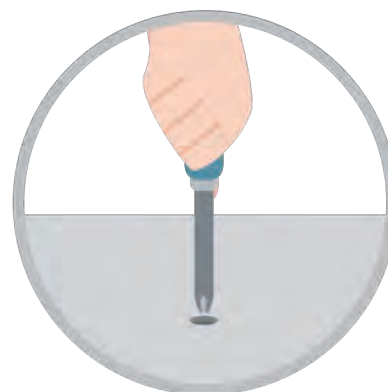
Turn clockwise to tighten and only tighten when step is completed or when instructed to do so.



Use the appropriate hand tools or power tools for assembly. Select steps, such as tightening screws and/or bolts, may require hand tools to avoid causing damage during assembly.



Save the instructions and store any supplied tools for later maintenance.



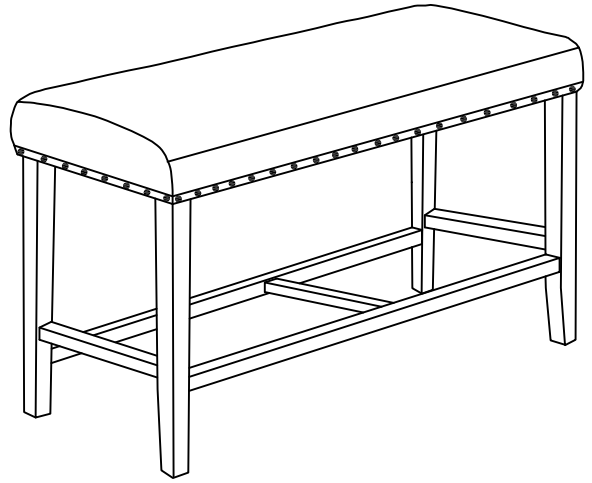
After two weeks, check and tighten any loose hardware and repeat again every six months thereafter.

IT IS THE USER'S RESPONSIBILITY TO MAINTAIN THE FURNITURE. THE HARDWARE MAY LOOSEN OVER TIME AND MAY CAUSE THE FURNITURE TO BE WOBBLY AND UNABLE TO SUPPORT ITS INTENDED WEIGHT CAPACITY. THIS MAY LEAD TO COLLAPSE AND MAY CAUSE SERIOUS INJURY.

BENCH

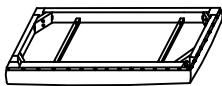


- Please keep instructions for future reference.
- Check the quantity and irregularity of parts and hardware before you start.



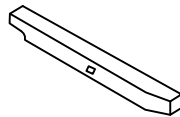
PARTS

#1 1pc



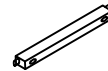
Cushion

#2 4pcs



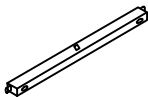
Leg (L & R)

#3 2pcs



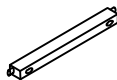
Side Support (L & R)

#4 2pcs



Front & Back Support

#5 1pc



Middle Support

HARDWARE

#A 8pcs



Bolt 5/16"X2-1/4"

#B 8pcs



Lock Washer

#C 8pcs



Flat Washer

#D 1pc



Allen Wrench

#E 10pcs



Wood Screw Ø8*1-1/2"

ASSEMBLY INSTRUCTIONS

1

Part #1 x1pc

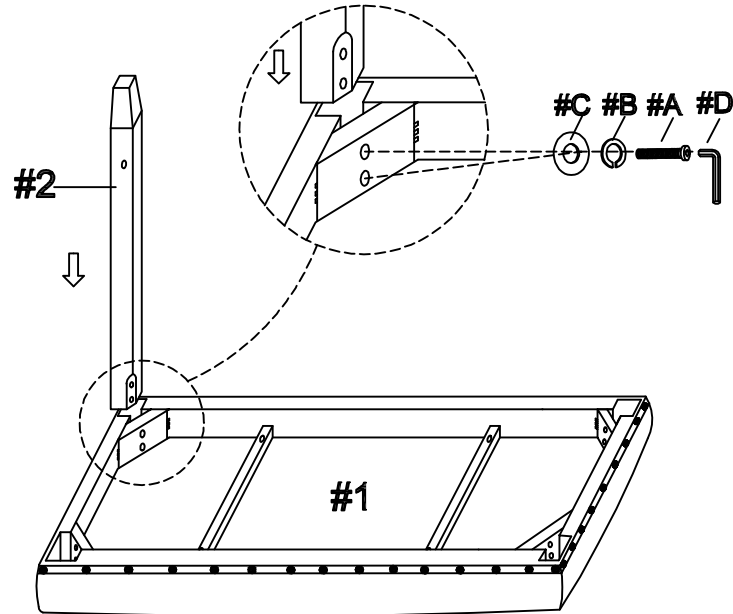
Part #2 x1pc

Hardware #A x2pcs

Hardware #B x2pcs

Hardware #C x2pcs

- I. Insert a leg (#2) into the slot in the corner of the cushion (#1). Make sure the pre-drilled holes are aligned.
- II. Prepare 2 bolt assemblies by FIRST inserting the lock washer (#B) onto the bolt (#A) then the flat washer (#C) onto that SAME bolt (#A), in that order. Secure using the Allen wrench (#D).

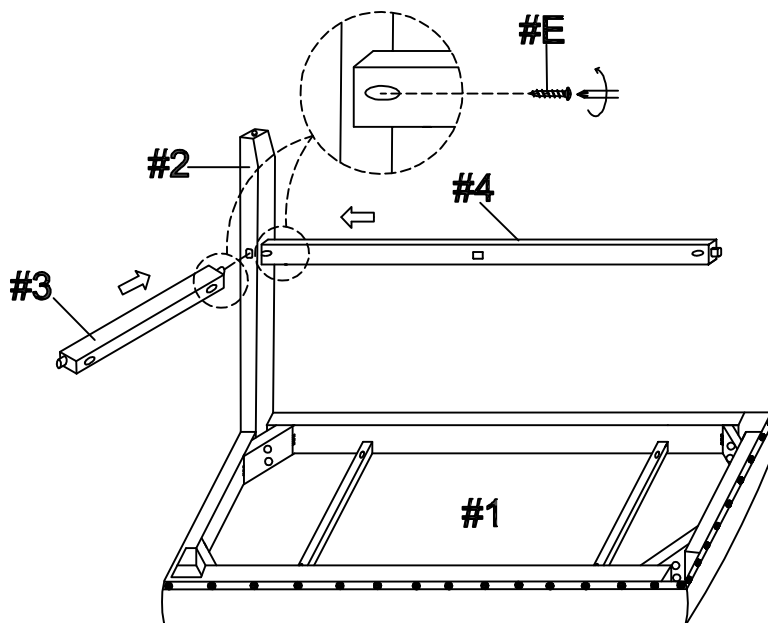


2

Part #3 x1pc

Hardware #E x2pcs

- I. Align the pre-drilled holes on the back support (#4) and the side support (#3) to the leg (#2).
- II. Insert a wood screw (#E) into each pre-drilled hole and secure using the Phillips screwdriver.

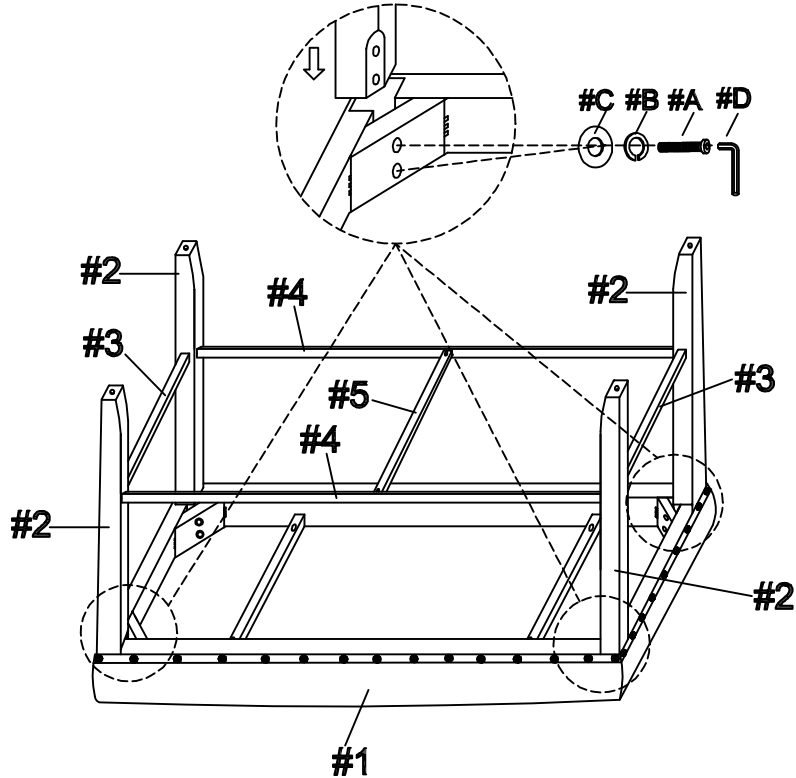


ASSEMBLY INSTRUCTIONS

3

- Part #2 x3pcs
- Part #3 x1pc
- Part #4 x1pc
- Part #5 x1pc
- Hardware #A x6pcs
- Hardware #B x6pcs
- Hardware #C x6pcs

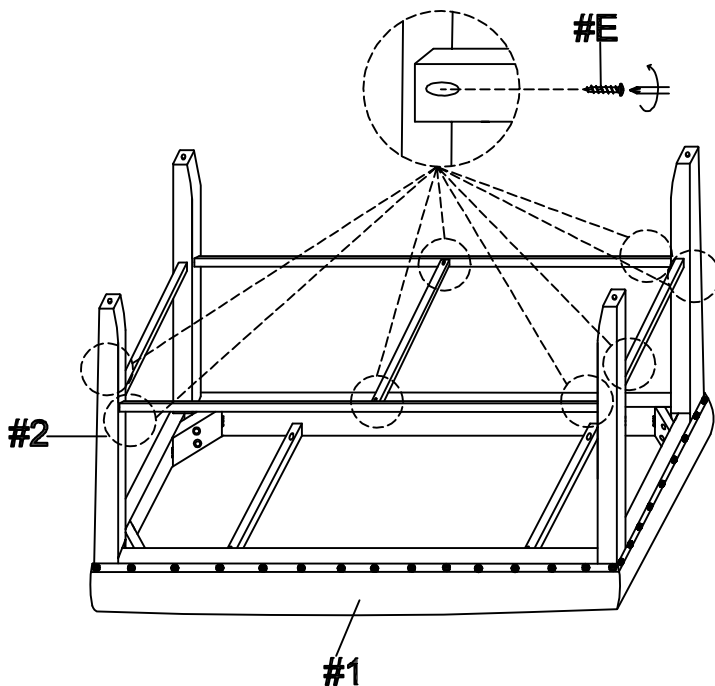
- I. Insert the remaining 3 legs (#2) into the slots in the corners of the cushion(#1). Make sure the pre-drilled holes are aligned.
- II. Prepare 6 bolt assemblies by FIRST inserting the lock washer (#B) onto the bolt (#A) then the flat washer (#C) onto that SAME bolt (#A), in that order. Secure using the Allen wrench (#D).



4

- Hardware #E x8pcs

- I. Align the pre-drilled holes on the front support (#4) and the side support (#3) to the leg (#2).
- II. Insert a wood screw (#E) into each pre-drilled hole and secure using the Phillips screwdriver.
- III. Align the middle support (#5) to the center pre-drilled holes located on the front and back support (#4). Insert a wood screw (#E) into each end and secure using the Phillips screwdriver.



ASSEMBLY COMPLETED



Please ensure the furniture rests on an even and flat surface. If the product wobbles or feels loose, double-check all bolts and/or screws are properly tightened and secured.



Keep this handy!

Please retain this instruction manual and any order-related information for future reference.



Lift, don't drag!

To avoid damage to product please always LIFT the product when transporting or adjusting the placement.