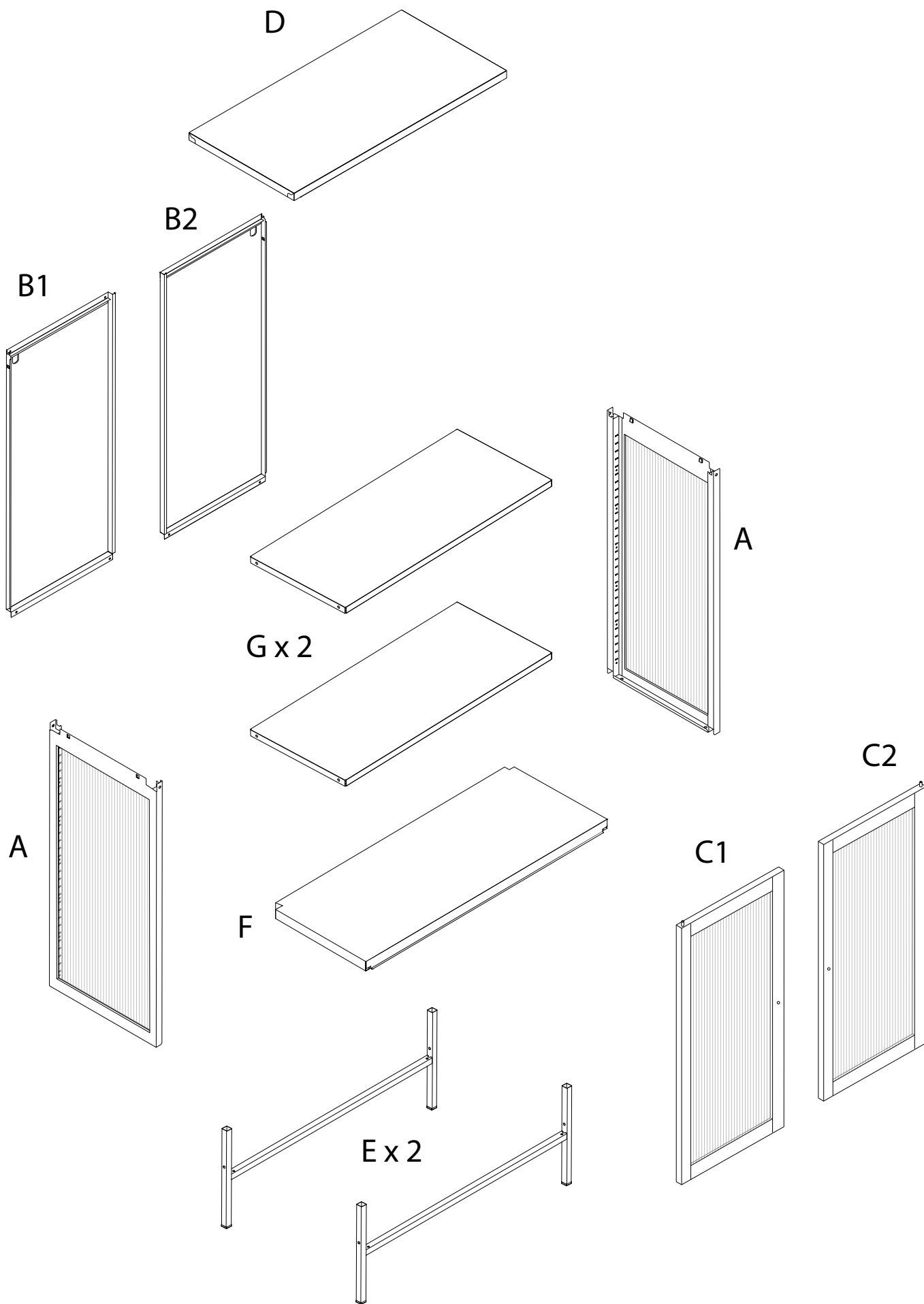
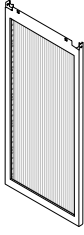


Assembly instructions and safety warnings:

- Tools:** A circular icon shows a screwdriver. A power drill icon is crossed out with a diagonal line, indicating it should not be used.
- Time:** A clock icon with the number **30'** below it, indicating an estimated assembly time of 30 minutes.
- Personnel:** A stick figure icon with the number **2** below it, indicating that two people are required for assembly.
- Warnings:** Two triangular warning symbols (exclamation marks) are present. The top one is connected to the tool icons, and the bottom one is connected to the floor mat icon.
- Floor Protection:** A circular icon shows a rectangular mat on a floor. A diagram next to it shows a cabinet leg being placed on the floor without the mat, crossed out with a diagonal line, indicating that the mat must be used to protect the floor.

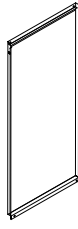


A



x 2

B1



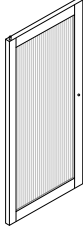
x 1

B2



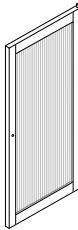
x 1

C1



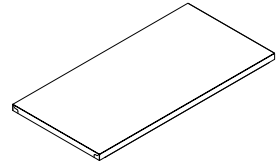
x 1

C2



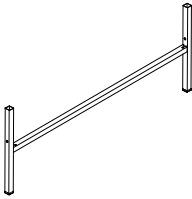
x 1

D



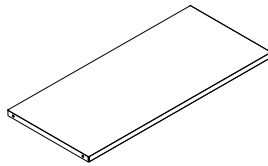
x 1

E



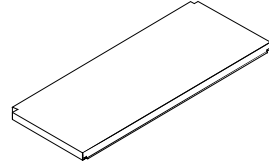
x 2

F



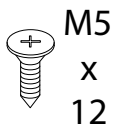
x 1

G



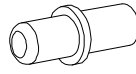
x 2

1



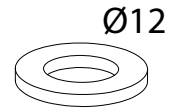
x 34

2



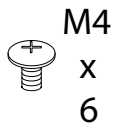
x 2

3



x 2

4



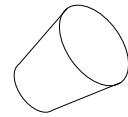
x 2

5



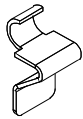
x 2

6



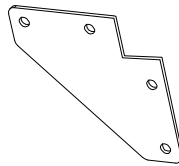
x 2

7



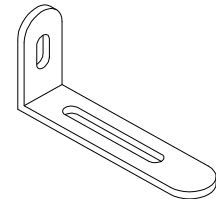
x 8

8



x 4

9



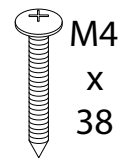
x 2

10



x 2

11



x 2

3

B1

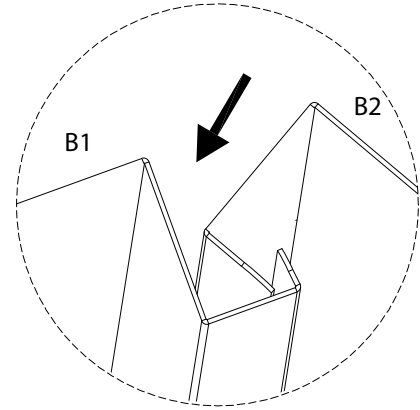
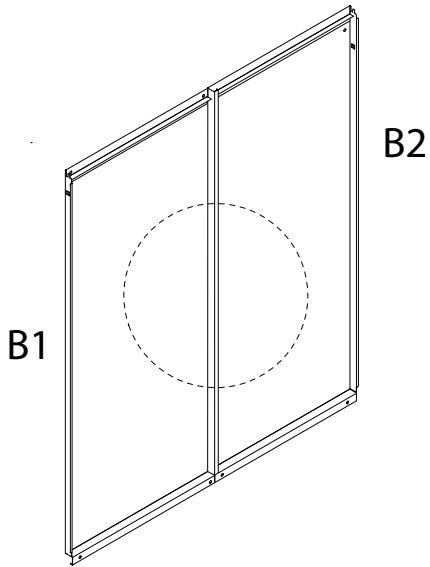


x 1

B2



x 1

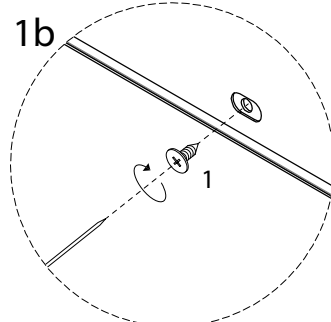
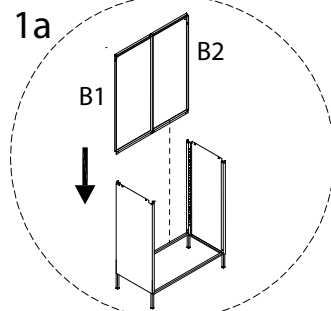
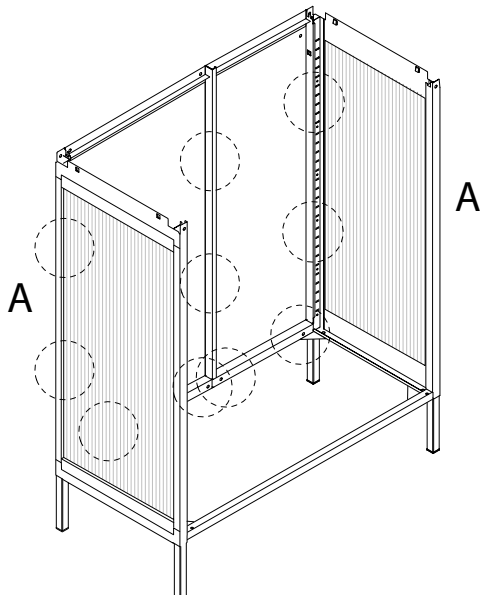


4

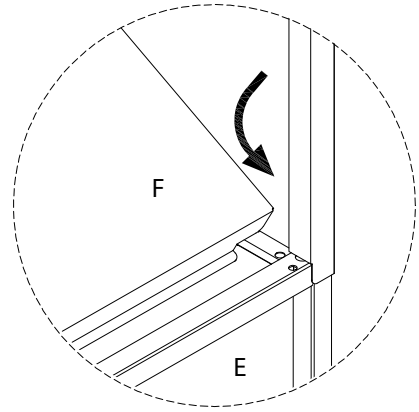
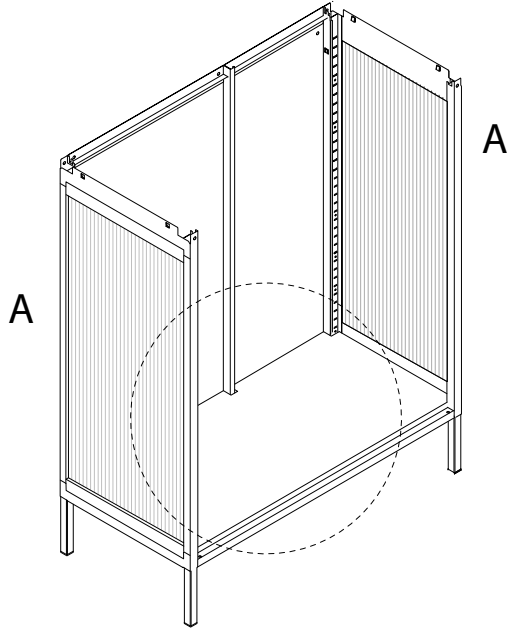
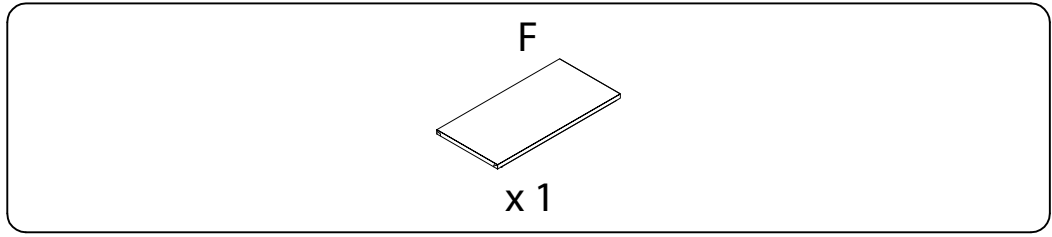
1



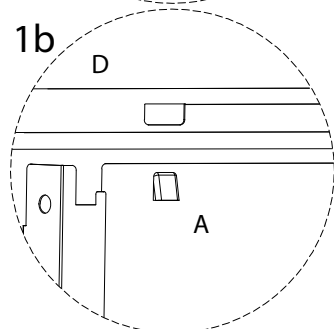
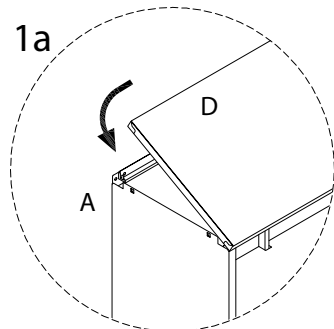
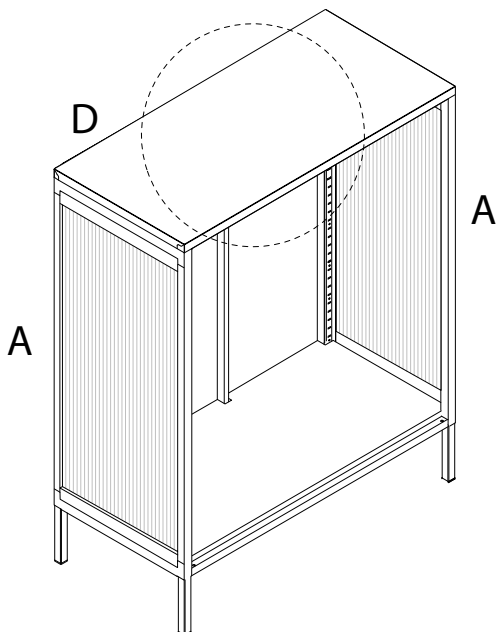
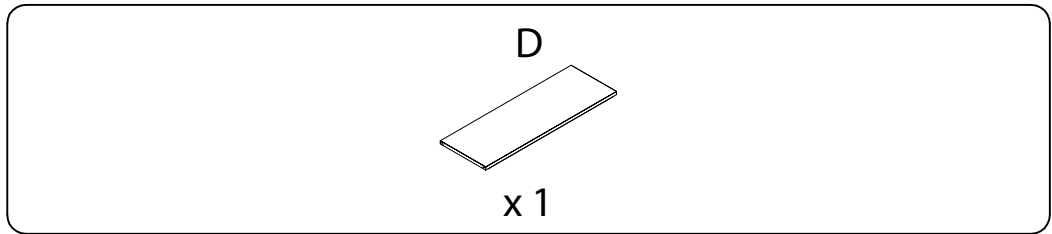
x 10



5



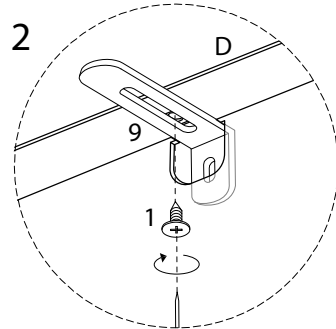
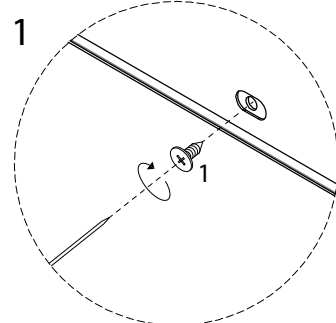
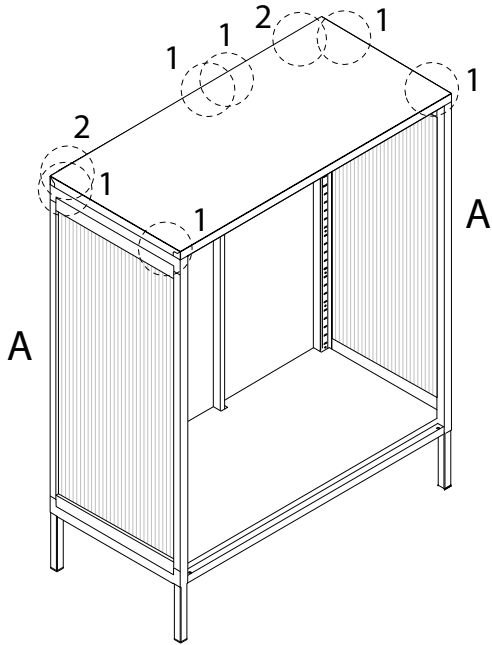
6



7

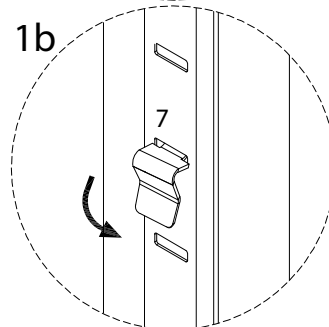
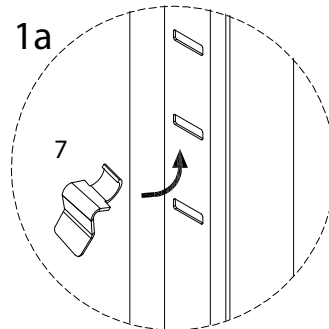
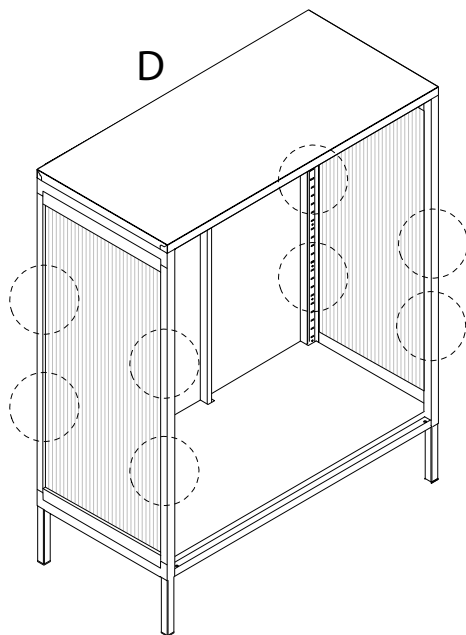
1
M5
x
12
x 8

9
x 2

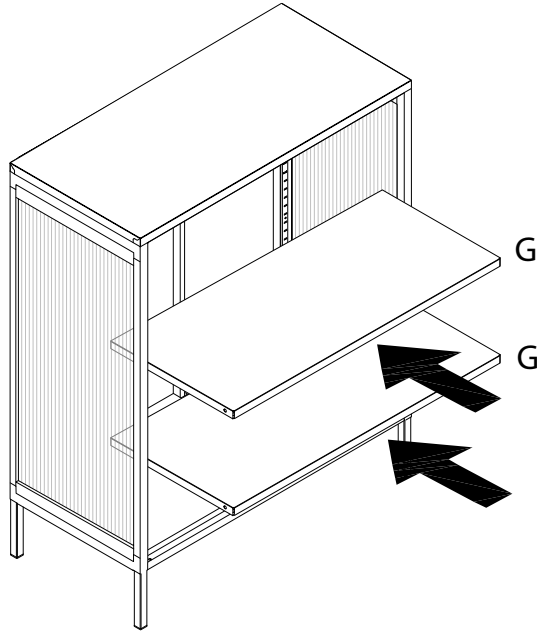
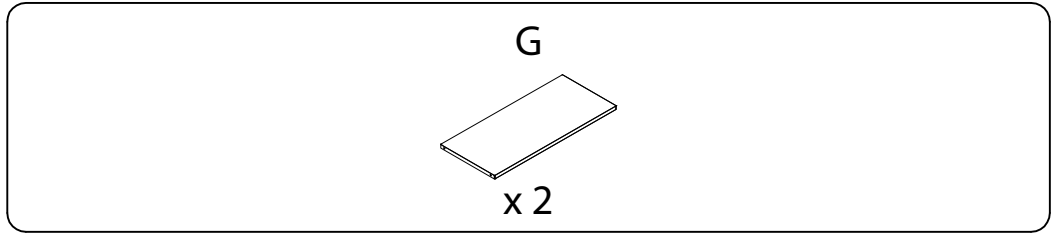


8

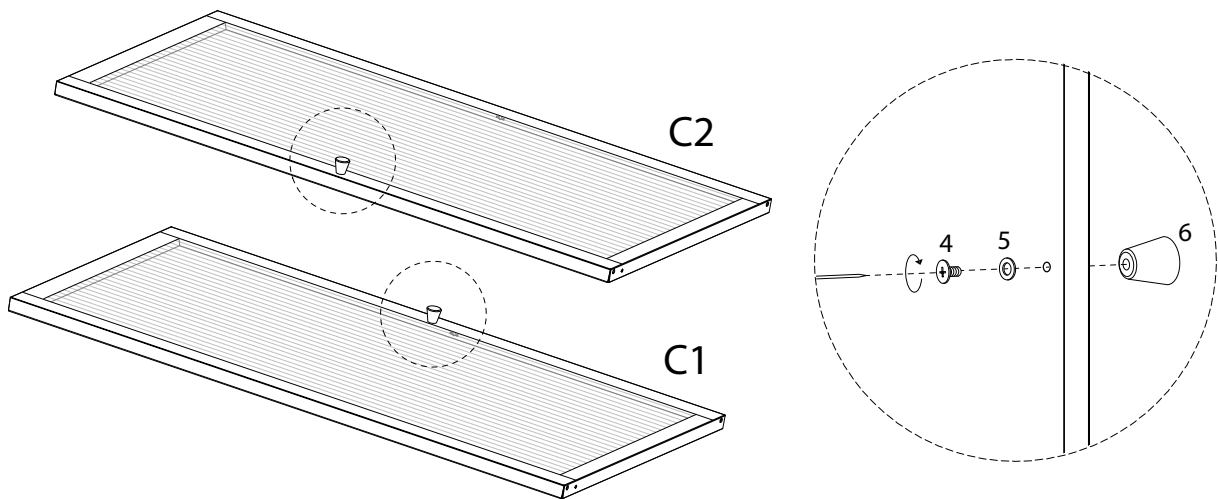
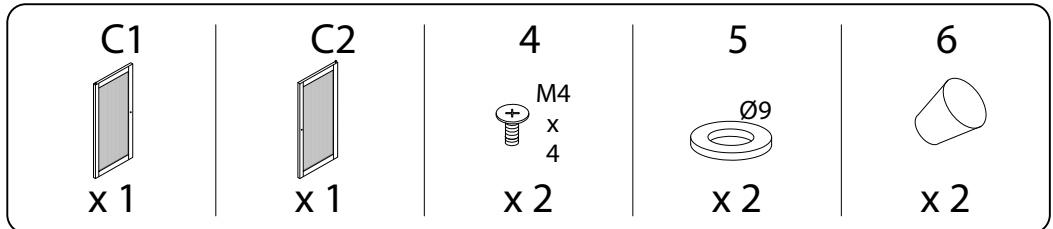
7
x 4



9

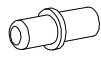


10



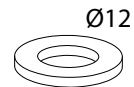
11

2



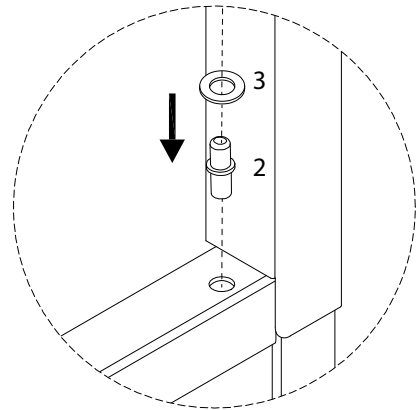
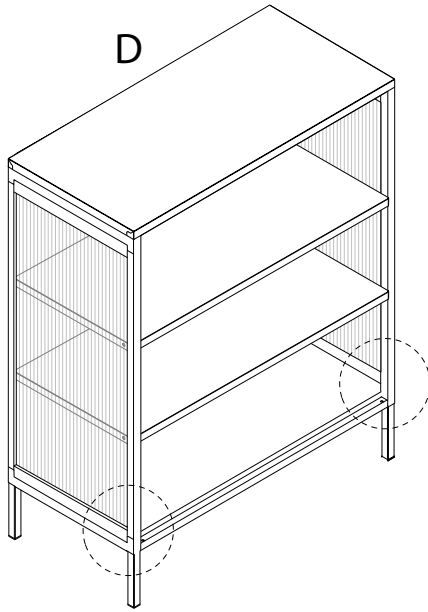
x 2

3

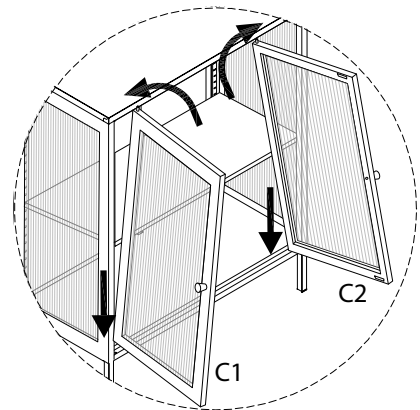
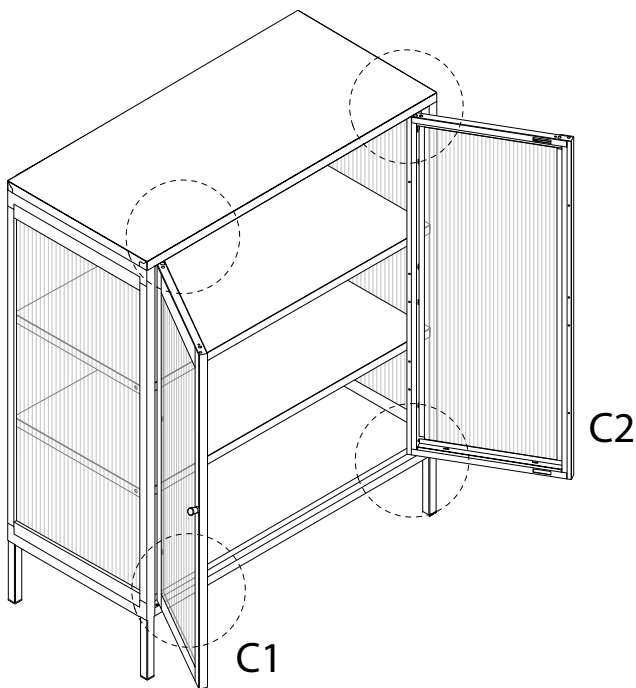


x 2

D



12



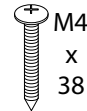
13

10



x 2

11



x 2

