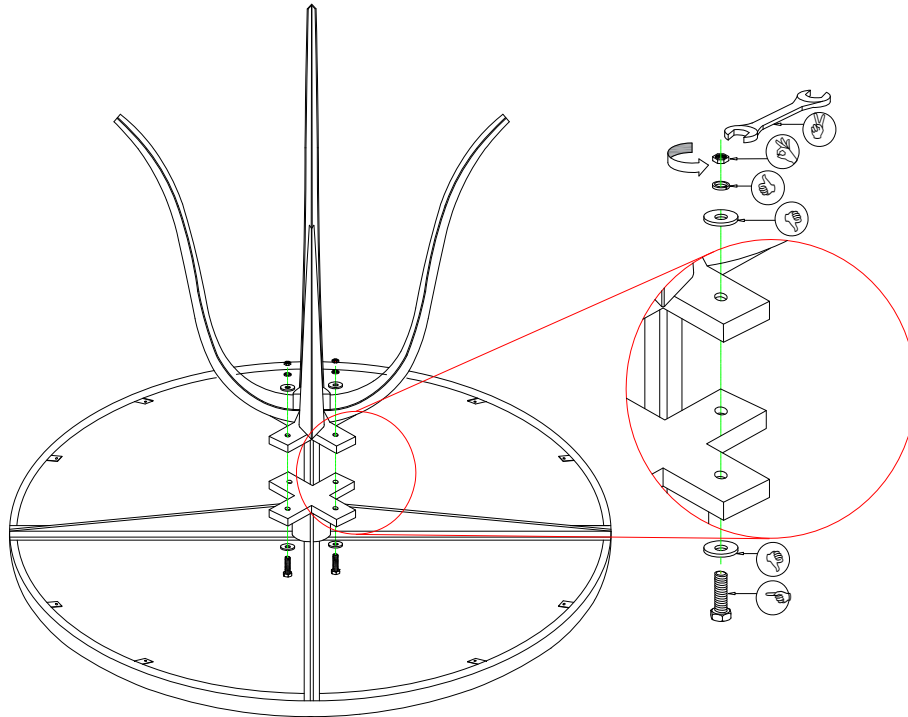





# ARTISTICA<sup>®</sup>

— HOME —

## ASSEMBLY INSTRUCTIONS

### 2023-870C Crystal Stone Round Dining Table



PART	HARDWARE LIST	QTY
A	 #14-15 Open Wrench	1
B	 3/8" Diam. Hex Nut	4
C	 3/8" Diam. Lock Washer	4
D	 3/8" x 1" Flat Washer	8
E	 3/8" x 1-1/2" Hex Bolt	4

1. Place table top upside-down on flat, clean, non-marring surface.
2. Position base so that holes on metal flange on base align with holes on flange on table top.
3. Insert (1) Flat Washer (D) and (1) Bolt (E) into a hole on underside of table top flange and up through hole on base flange.
4. Add another Flat Washer (D), (1) Lock Washer (C), and (1) Hex Nut (B) to bolt. Hand-tighten bolt.
5. Repeat steps 3 & 4 for other (3) bolts.
6. Use Open Wrench (A) to fully tighten all bolts.
7. Return assembled table to its upright position and place in desired location.

For additional consumer assistance, please contact your local Artistica Home dealer or our Customer Services Department at 1-336-474-5300, Monday-Friday, 8-5 Eastern.