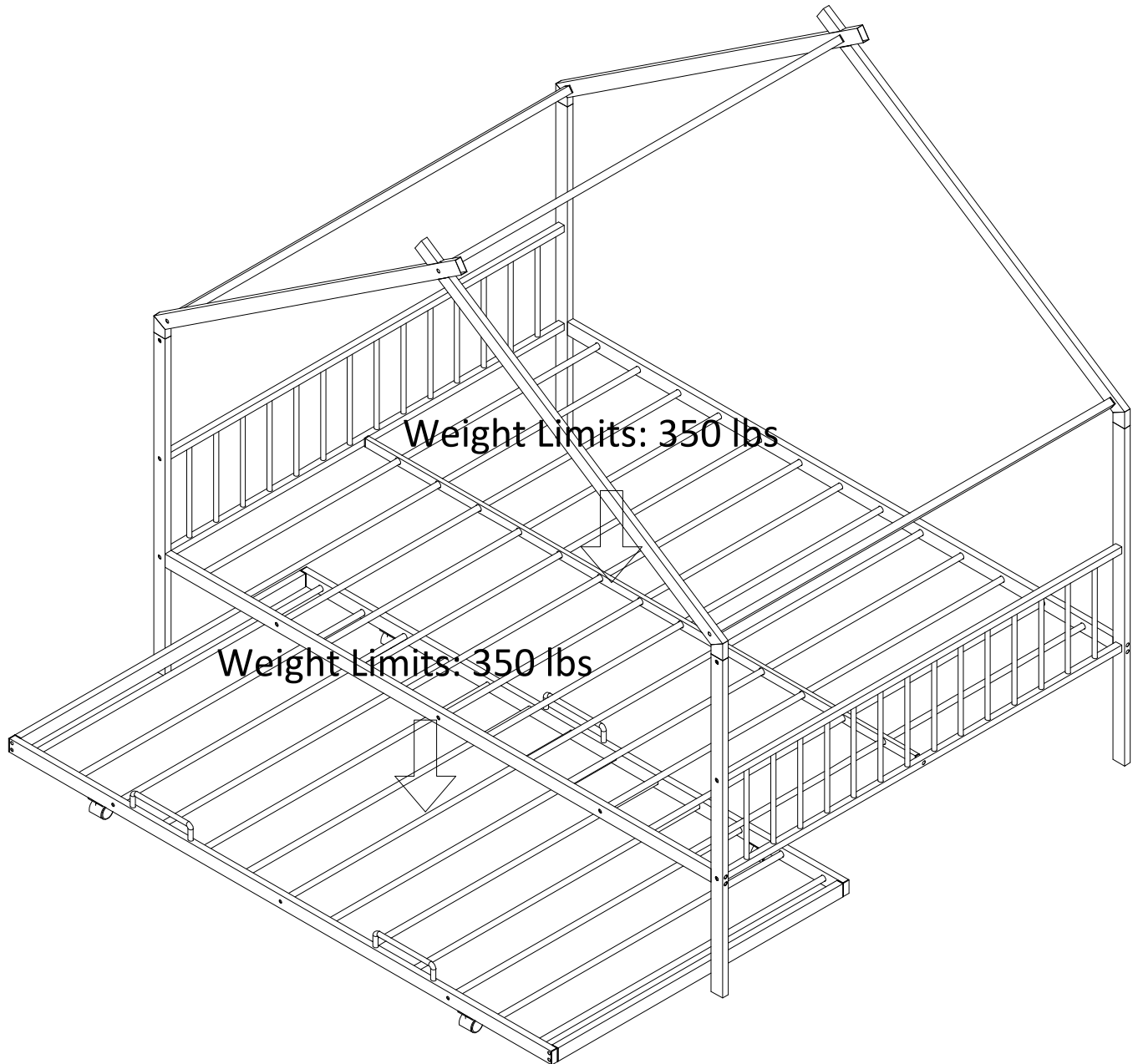


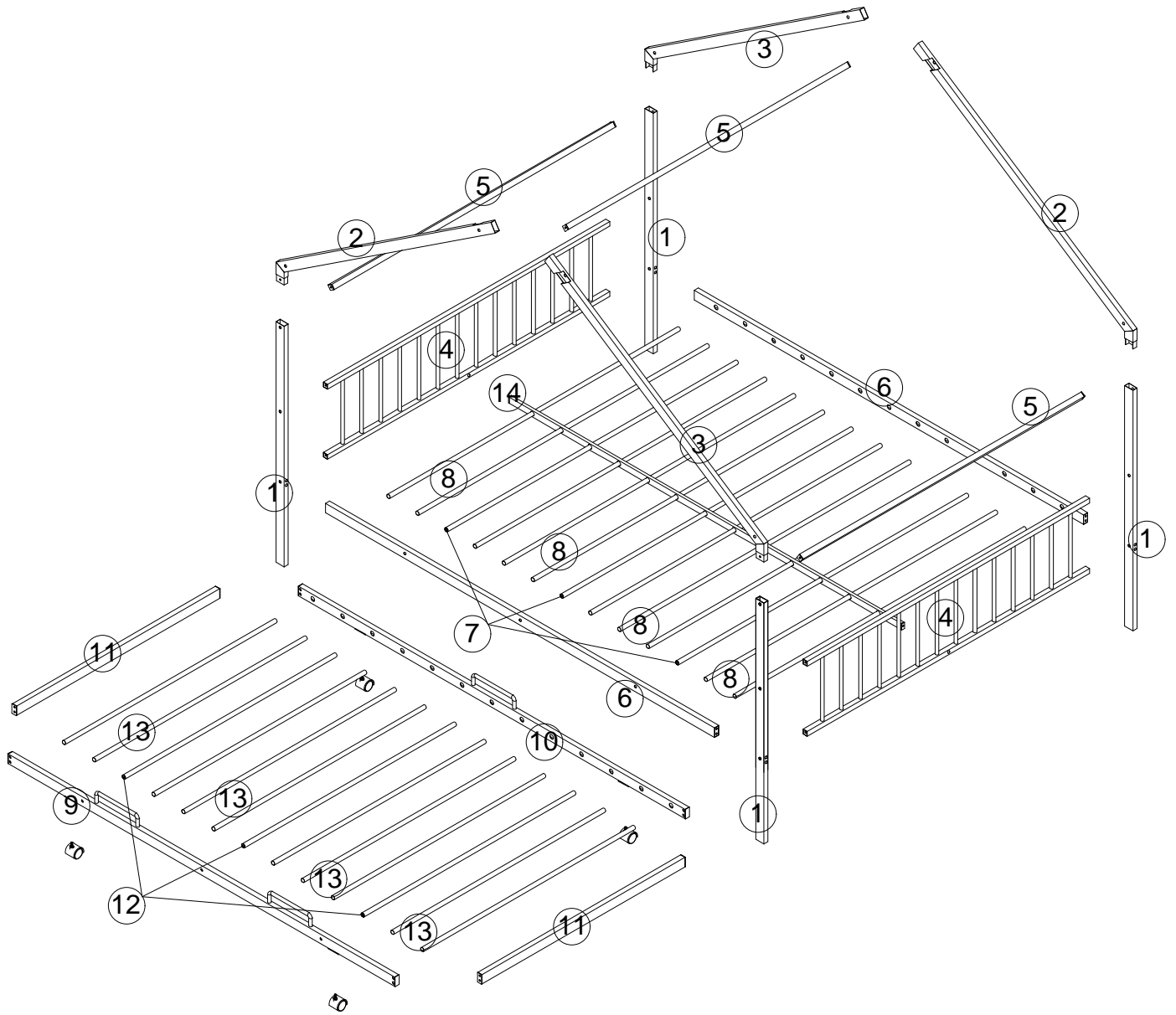
# ASSEMBLY INSTRUCTIONS



# Detail View

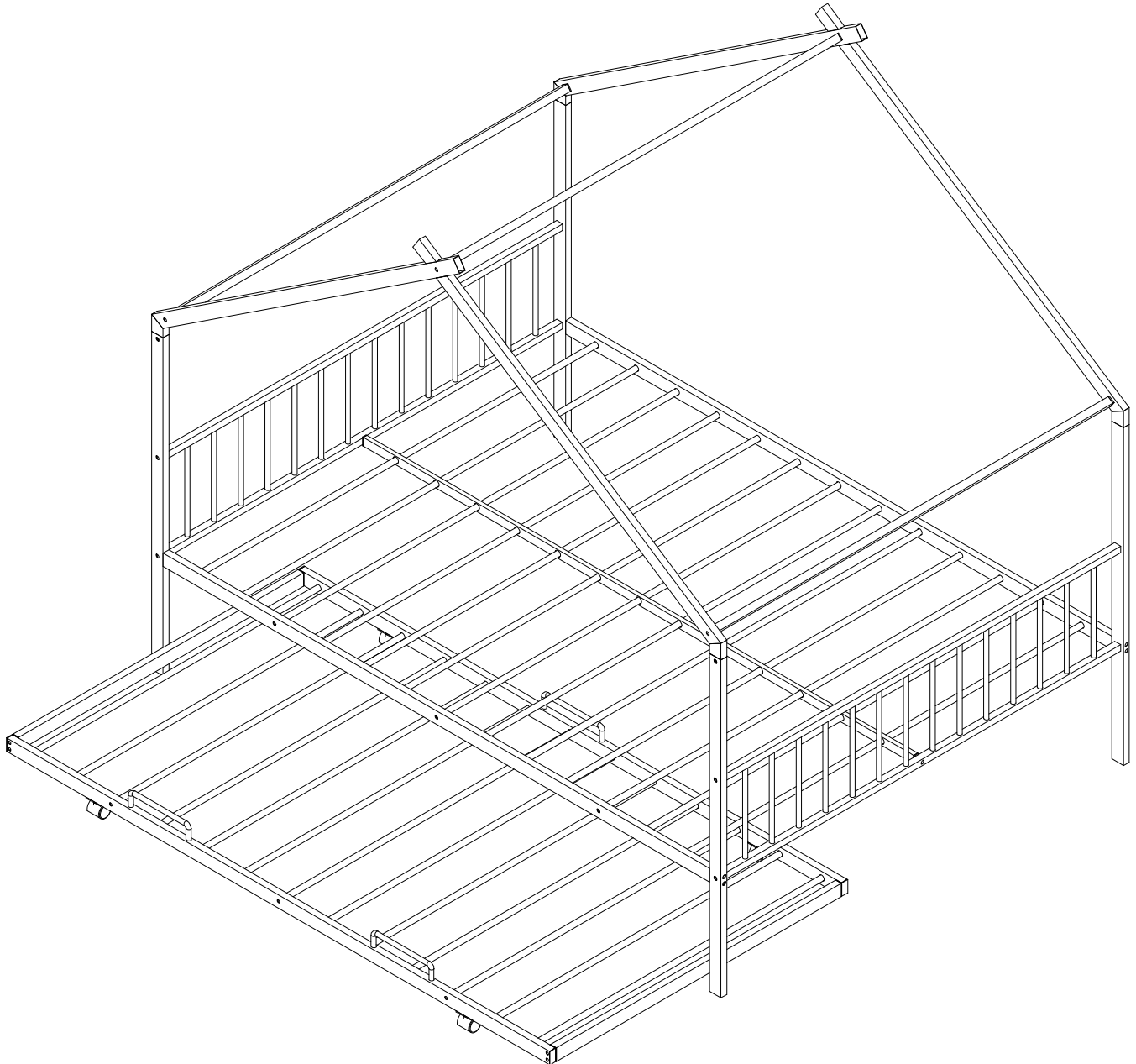
## BUNK BED

IMPORTANT:  
PLEASE READ INSTRUCTION BEFORE STARTING THE ASSEMBLY



# ASSEMBLY INSTRUCTIONS

## BUNK BED



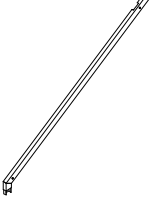
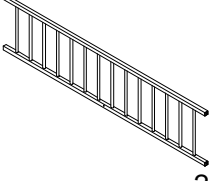
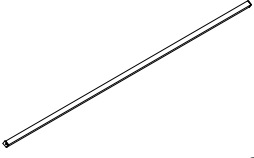
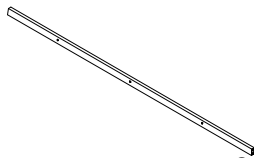
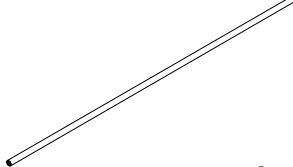
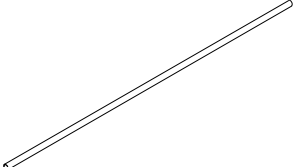
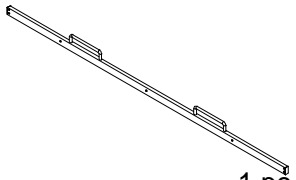
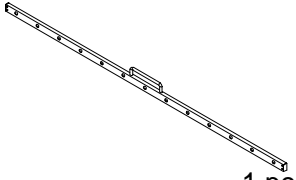
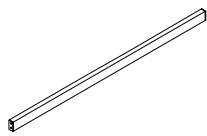
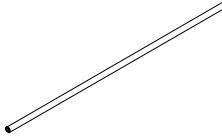
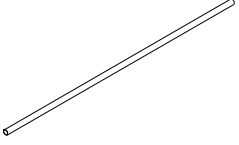



Thank you for purchasing this quality product. Be sure to check all packing material carefully for small parts which may have come loose inside the carton during shipment. Separate, identify and count all parts and hardware.

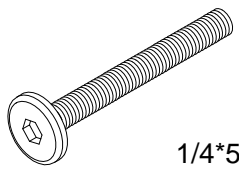
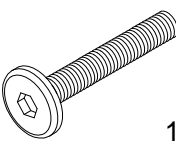
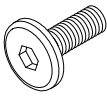

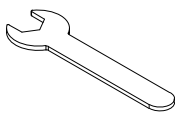
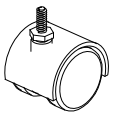
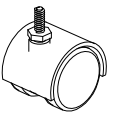
Compare with the parts list to be sure all parts are present.

**"DO NOT TIGHTEN SCREWS UNTIL COMPLETELY ASSEMBLED"**

# PART LIST

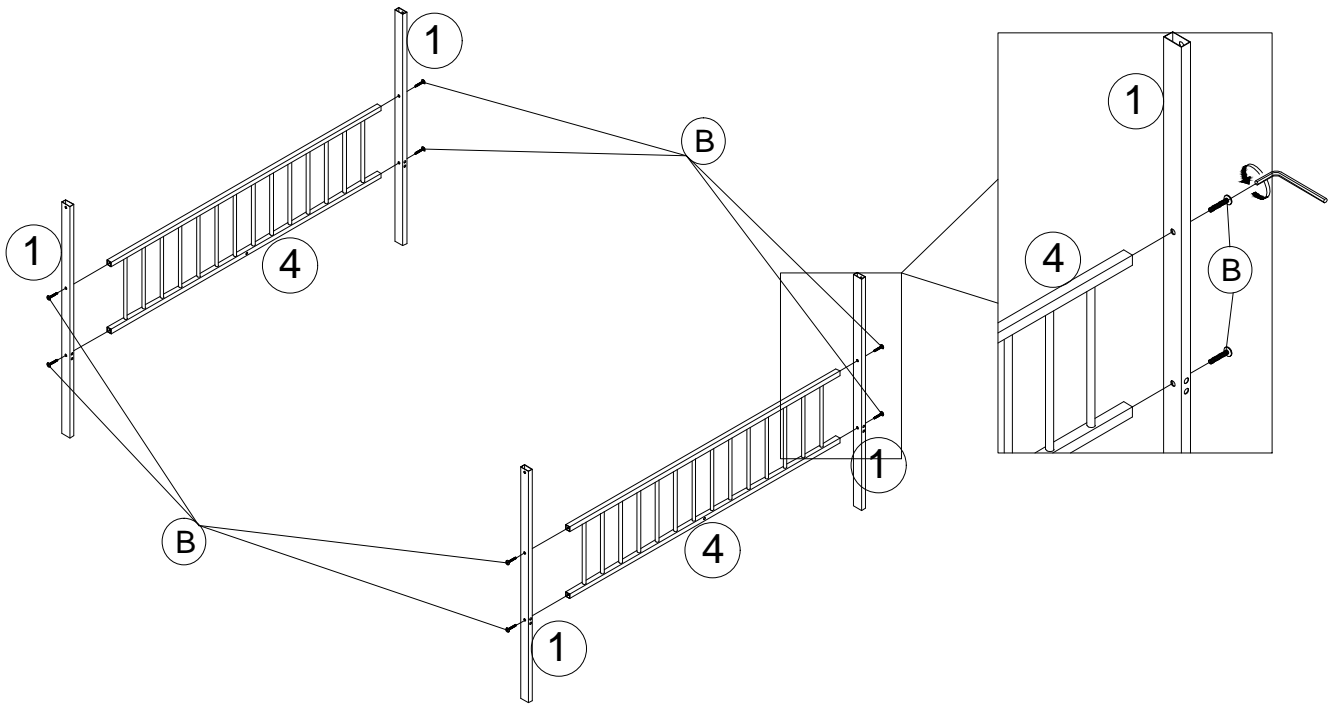
<p>1 Vertical bar</p>  <p>4 pcs</p>	<p>2 Roof bar</p>  <p>2 pcs</p>	<p>3 Roof bar</p>  <p>2 pcs</p>	<p>4 Headboard</p>  <p>2 pcs</p>
<p>5 Horizontal bar</p>  <p>3 pcs</p>	<p>6 Horizontal bar</p>  <p>2 pcs</p>	<p>7 Slats</p>  <p>3 pcs</p>	<p>8 Slats</p>  <p>10 pcs</p>
<p>9 Horizontal bar</p>  <p>1 pc</p>	<p>10 Horizontal bar</p>  <p>1 pc</p>	<p>11 Horizontal bar</p>  <p>2 pcs</p>	<p>12 Slats</p>  <p>3 pcs</p>
<p>13 Slats</p>  <p>10 pcs</p>	<p>14 Horizontal bar</p>  <p>1 pc</p>		

# HARDWARE LIST

<p>A Bolts</p>  <p>1/4*55 8 pcs</p>	<p>B Bolts</p>  <p>1/4*40 24 pcs</p>	<p>C Bolts</p>  <p>1/4*18 16 pcs</p>	<p>D Allen Key</p>  <p>4*59 1 pcs</p>
<p>E Wrench</p>  <p>13*90 1 pc</p>	<p>F Caster</p>  <p>2 pcs</p>	<p>G Locking Caster</p>  <p>2 pcs</p>	

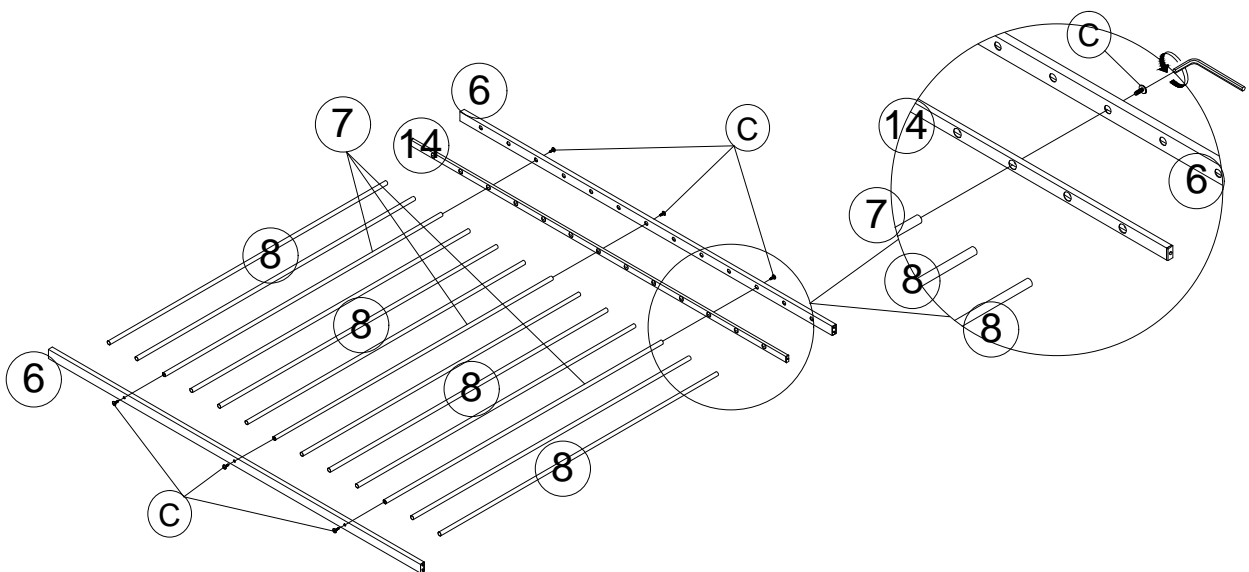
# BUNK BED ASSEMBLY INSTRUCTIONS


## STEP 1



B		1/4*40	8 pcs
---	---	--------	-------

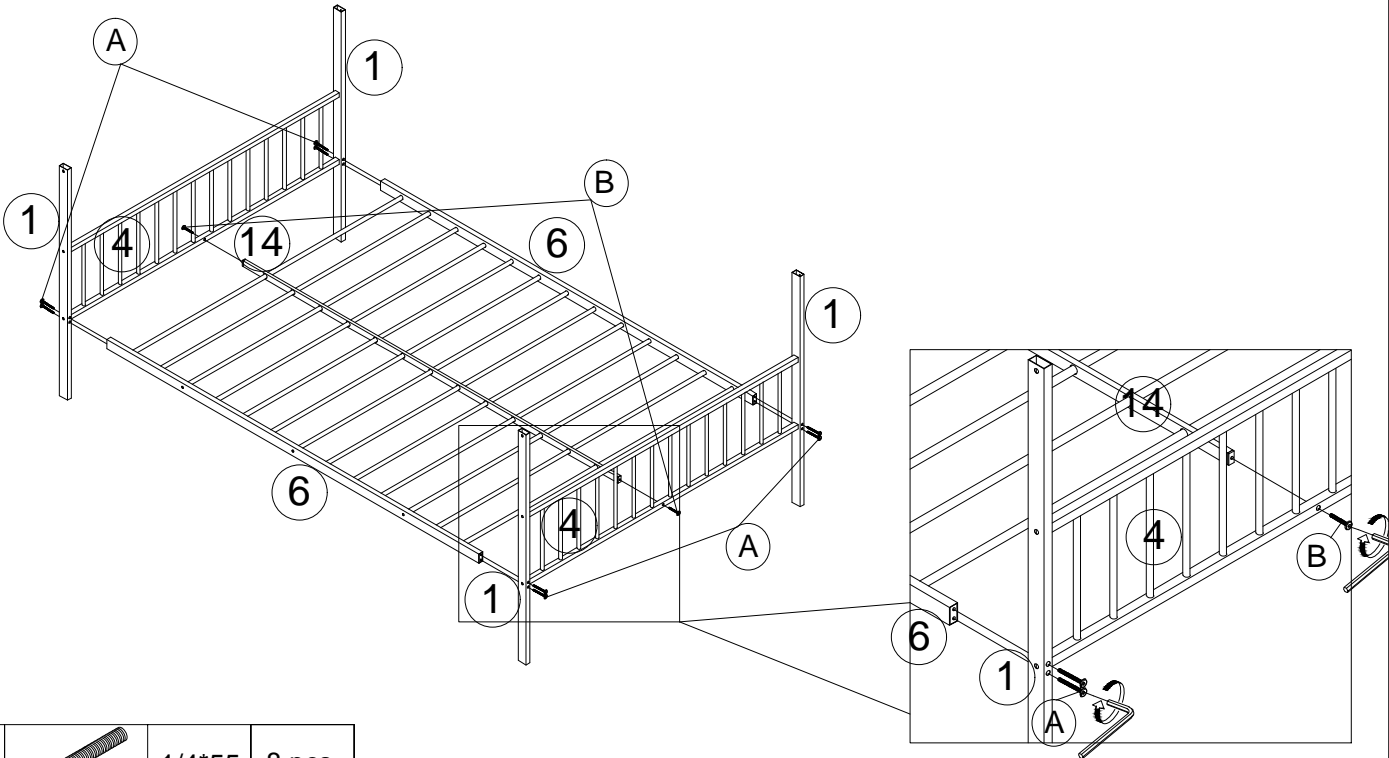
## STEP 2

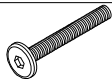



C		1/4*18	6 pcs
---	---	--------	-------

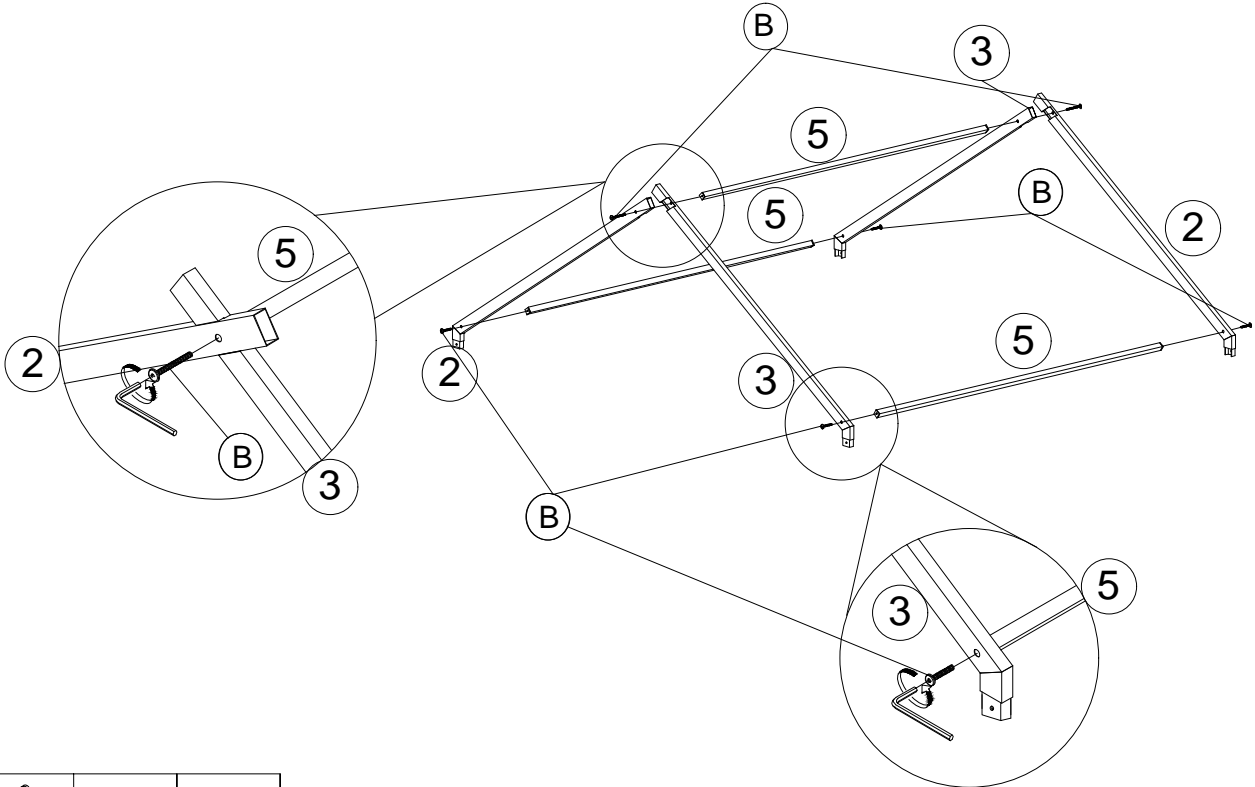
# BUNK BED ASSEMBLY INSTRUCTIONS

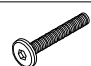
## STEP 3



(A)		1/4*55	8 pcs
(B)		1/4*40	2 pcs

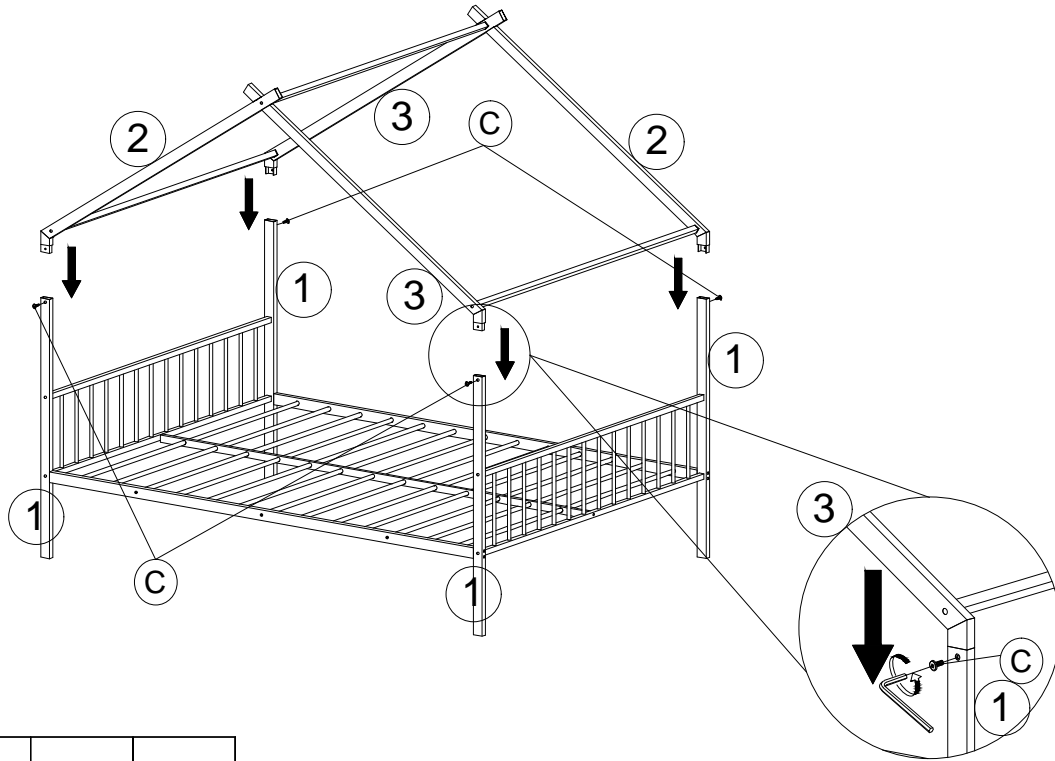
## STEP 4




(B)		1/4*40	6 pcs
-----	---	--------	-------

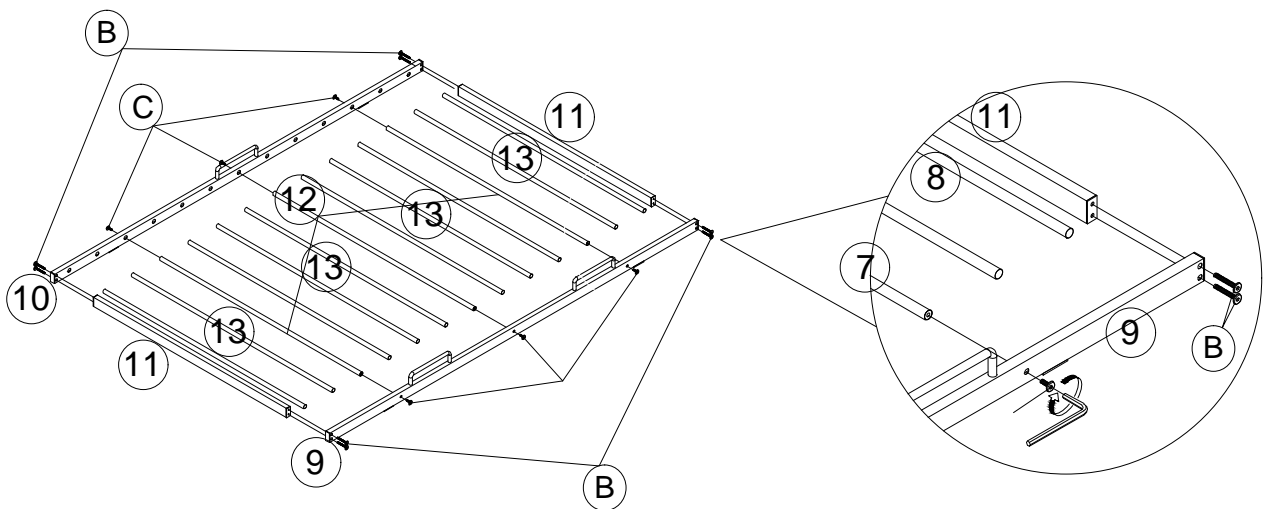
# BUNK BED ASSEMBLY INSTRUCTIONS



## STEP 5



C		1/4*18	4 pcs
---	---	--------	-------

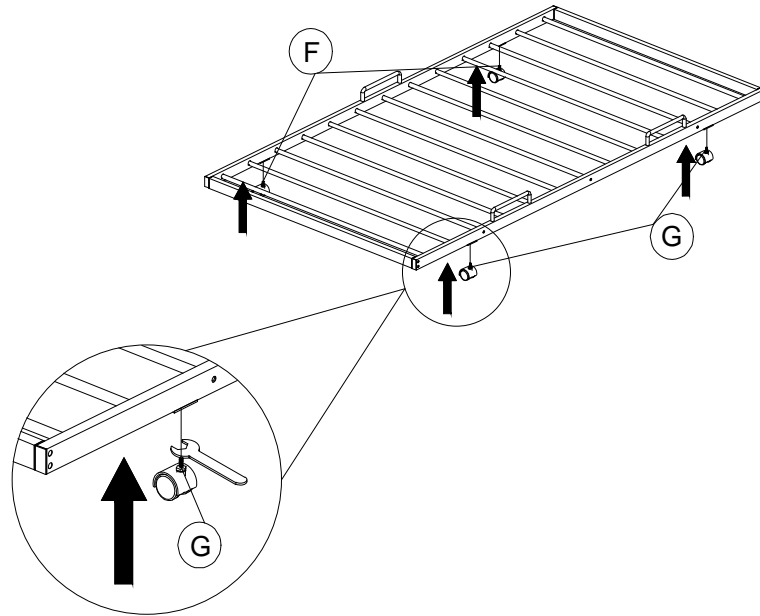
## STEP 6



B		1/4*40	8 pcs
C		1/4*18	6 pcs

# BUNK BED ASSEMBLY INSTRUCTIONS

## STEP 7



## COMPLETE

