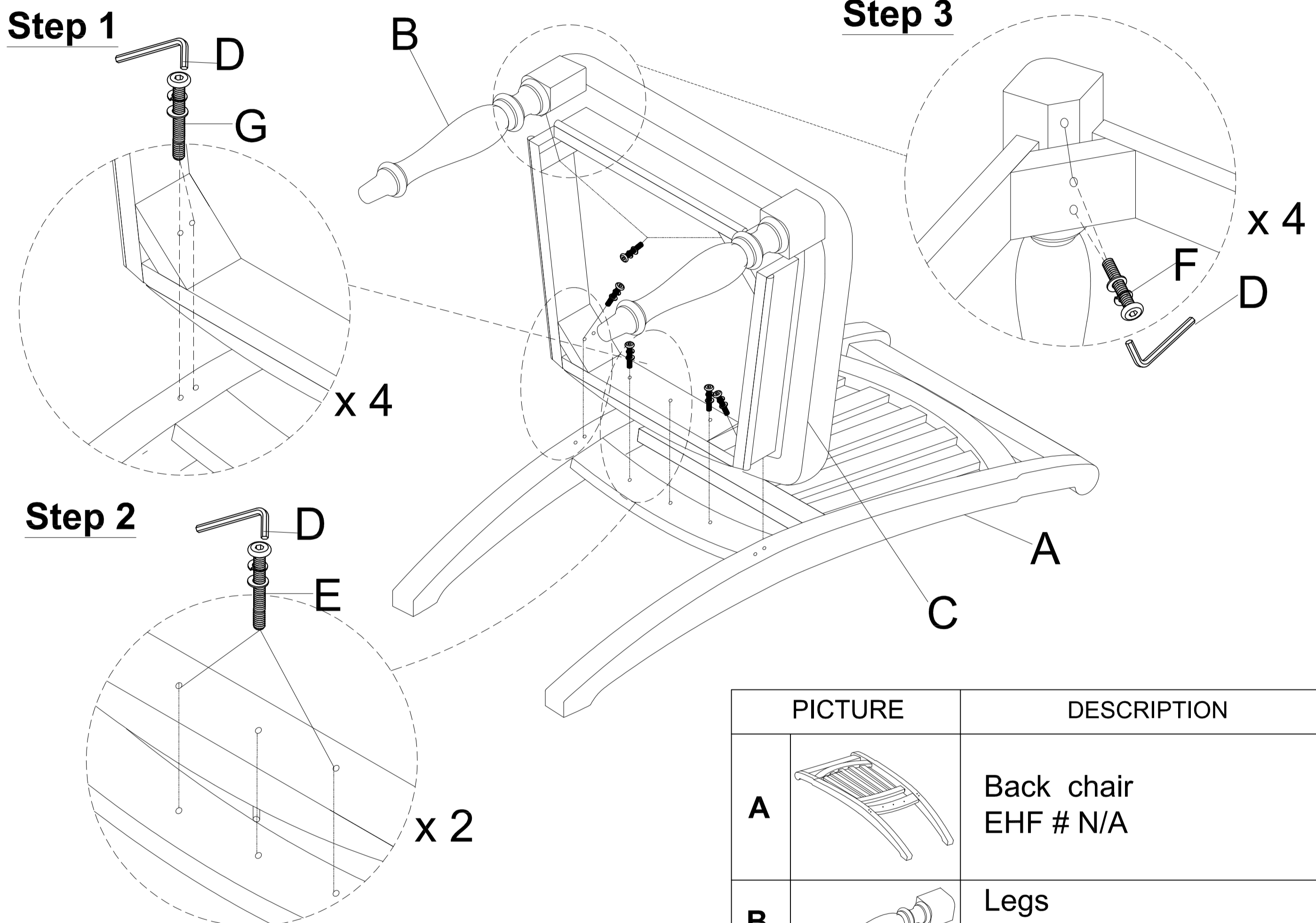


ASSEMBLY INTRUCTION

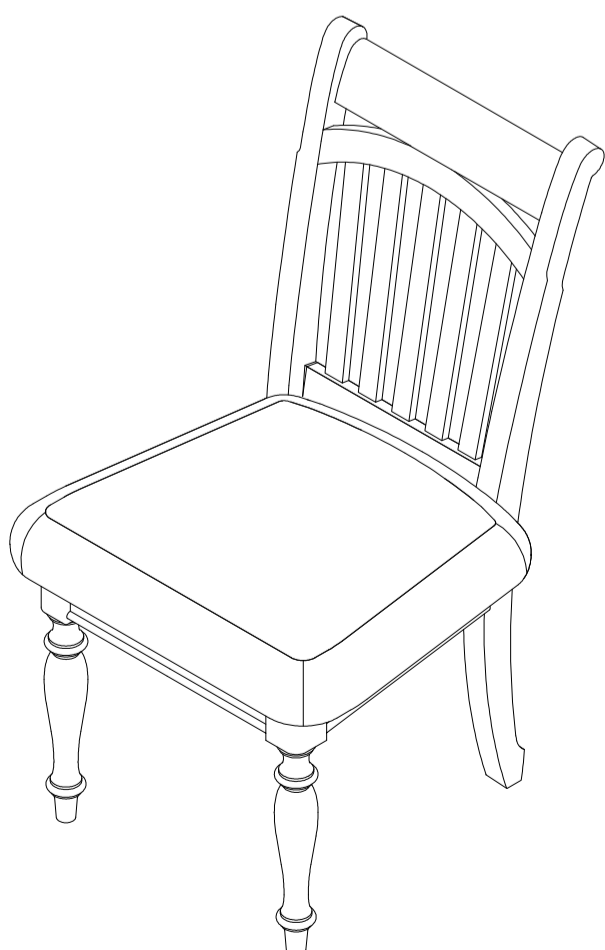
Thank you for purchasing this product. Be sure to check all packing materials carefully for small parts that may have come loose inside the carton during shipment.

Please read all instructions carefully before assembly process. It is recommended that 2 people work together during assembly to prevent personal injury and to ensure that heavy parts are not damaged during the process.

CAUTION : for your safety, this product require two people to lift.



PLEASE DO NOT TIGHTEN THE BOLTS UNTIL ALL THE PARTS ARE IN POSTION



| | PICTURE | DESCRIPTION | Q'TY |
|---|---------|---|------|
| A | | Back chair EHF # N/A | 1pc |
| B | | Legs EHF # PD330-20 LEG | 2pcs |
| C | | Cushion EHF # N/A | 1pc |
| D | | Allen key 4 x 57 x 23mm EHF # PD330-20HDWR | 1pc |
| E | | Bolt 5/16" x 1 1/2" EHF # PD330-20HDWR | 2pcs |
| F | | Bolt 5/16" x 2" EHF # PD330-20HDWR | 4pcs |
| G | | Bolt 5/16" x 3" EHF # PD330-20HDWR | 4pcs |