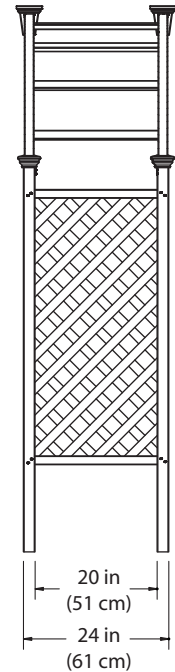
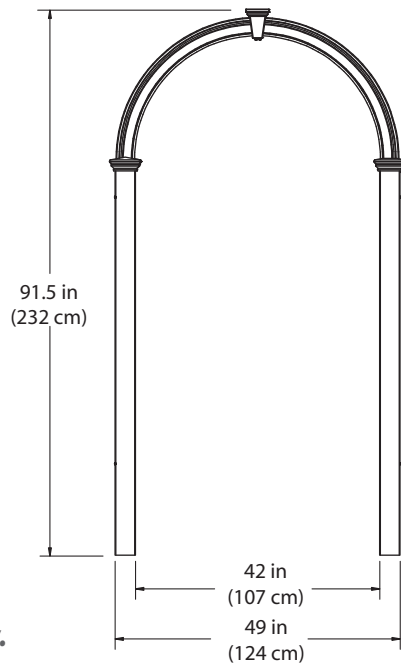
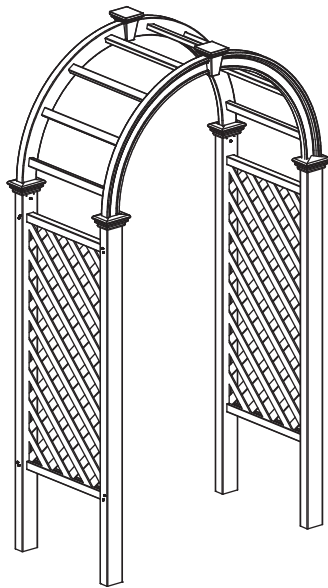


ASSEMBLY INSTRUCTIONS

Arbor / Arch



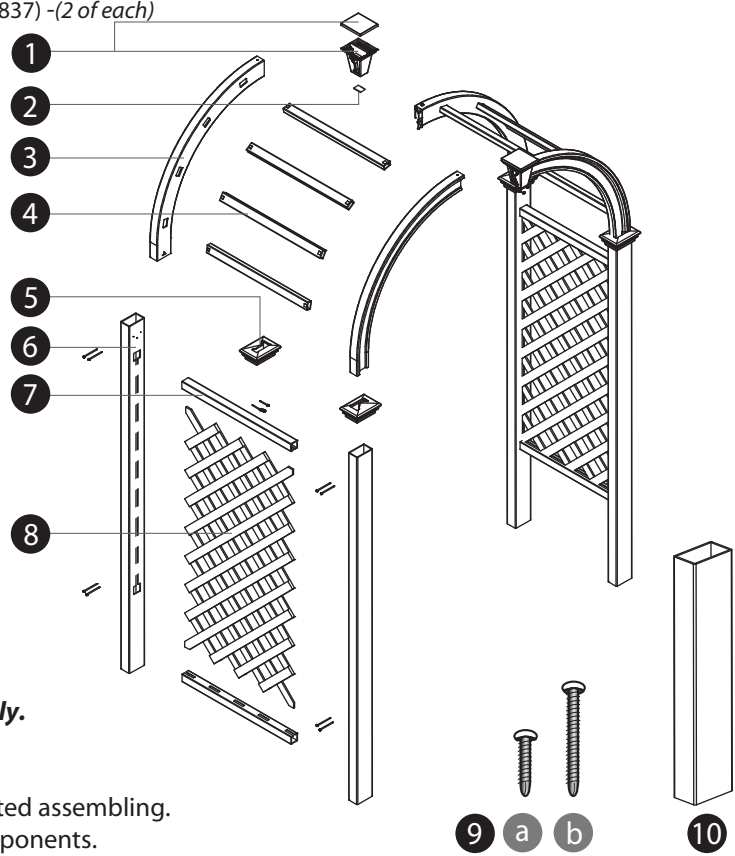
Please read through before starting assembly.

IMPORTANT: CHECK THE INSIDE OF YOUR POSTS FOR ALL MATERIALS.

Check Box for These Contents

In the event of missing or defective parts please call our customer service dept.

1. Arch Keystone (10836) & Top Lid (10668-1) & Keystone Insert (10837) -(2 of each)
2. Keystone Bottom Plate (2) - 10666-1
3. Arches (4) - (2 ea. Right 10671-1, 2 ea. Left 10670-1)
4. Arch Rafters (8) - 10672-1
5. Post Caps (4) - (2 ea. Right 10674-1 & 2 ea. Left 10673-1)
6. Posts (4) - 10791
7. Side Panel Horizontal Rails (4) - 10833
8. Lattice (2) - 10780
9. Hardware (in plastic bag)
 - a) 1 1/2" (38 mm) Self-Auguring Screws (24) - 20005
 - b) 3" (76 mm) Self-Auguring Screws (16) - 20007
10. Ground Mounting Extensions (4) - 10844



Tools You Will Need

- Cordless Drill
- Hammer
- Tape Measure
- Level
- Stool or Short Ladder
- Shovel

General Information

- Read Instructions through carefully before beginning assembly.
- When assembling components, place on a non-abrasive surface (i.e. shipping box) to avoid scratching.
- We recommend an area approx 10'x 8' (3 m x 2.4 m) for unobstructed assembling.
- You should not need to use excessive force when assembling components.

9 a b 10
Not to Scale

STEP ONE

Assemble the Arch System

1

Insert arches into arch keystone ensuring they terminate flush to the internal connector. Ensure that the "R" and "L" identifications are located at the bottom of the arch assembly. The tabs protruding out of the internal connector should fit outside the arches. Ensure that the arches are orientated properly as per illustration.

2

Fasten the arches to the keystone insert with two of the 1 1/2" (38 mm) screws, through the two pre-drilled holes provided on the top insert tabs. **Note:** the arches do not have pre-drilled holes, the self-auguring screws provided will drill into arches.

3

Invert the arch system and fasten the arches to the bottom of the keystone insert with two of the 1 1/2" (38 mm), through the two pre-drilled holes on the bottom insert tabs.

4

Seal the bottom hole on the keystone by inserting the bottom plate as provided.

5

Install the top cap on the arch keystone. Push down firmly so the cap locks into position.

6

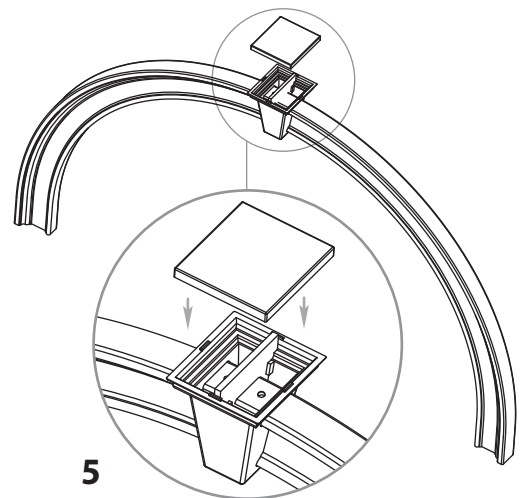
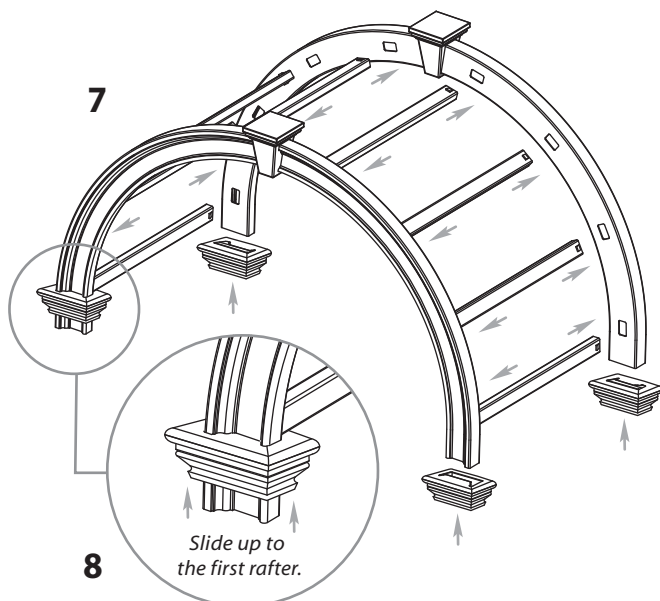
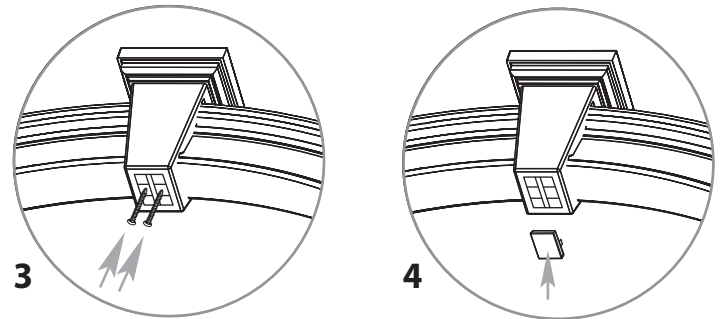
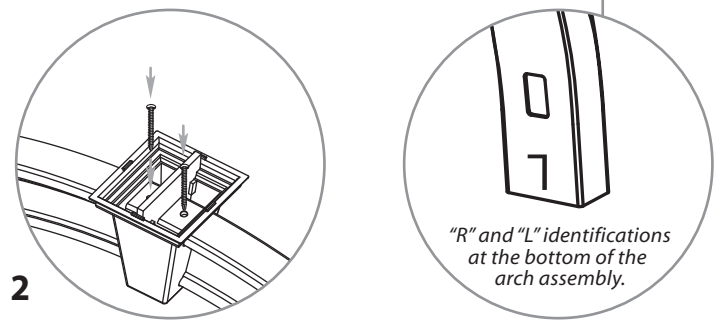
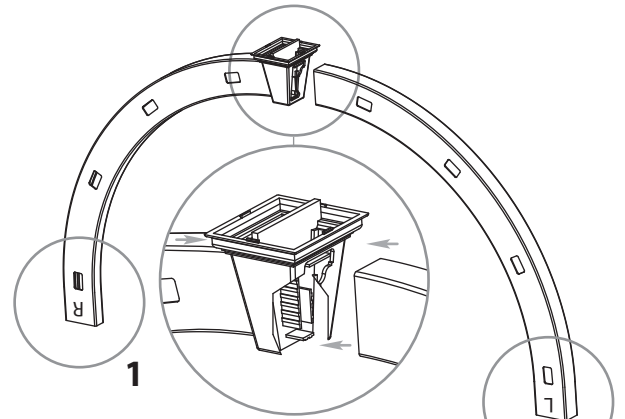
Repeat for other arch.

7

Insert arch rafters (8) into the holes on the arches until they bottom out inside the arches. There are "locking tabs" located at each end of these rafters that once inserted into the holes will lock into place.

8

Install post caps on the bottom of all arches. Slide up into temporary position until they hit the first rafter.



STEP TWO

Assemble the Side Panels

1

Lay out one of the posts with the holes facing upwards.

2

Fit the side panel horizontal rails over both ends of the lattice.

3

Insert the side panel horizontal rails and lattice into the posts.

4

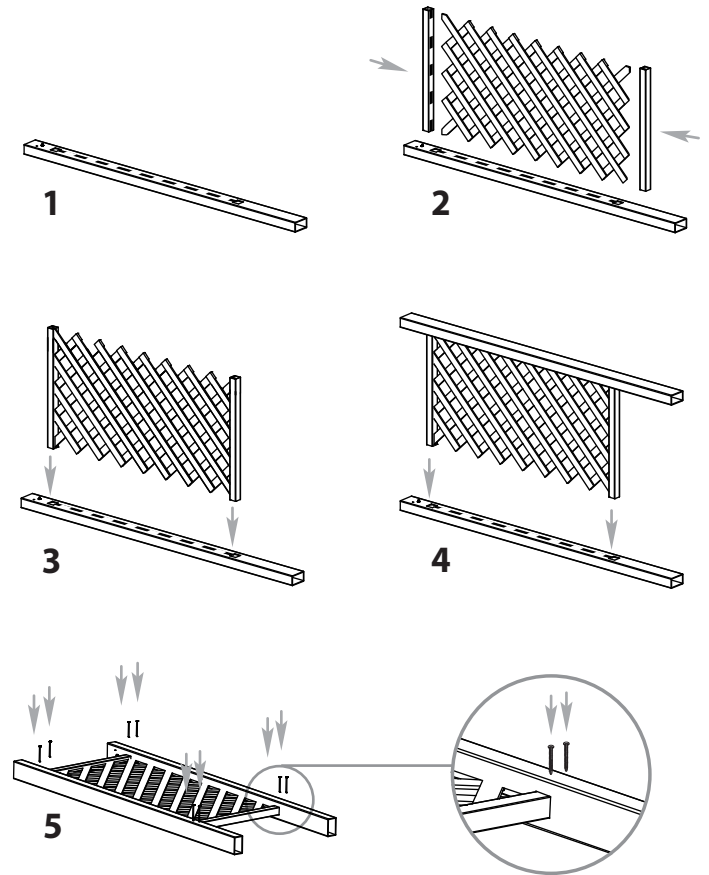
Flip the post and lattice over and insert the rails and lattice into the opposite post.

5

With the horizontal rails fully inserted and flush inside the posts, secure them in place using eight 3" (76 mm) screws as shown

6

Repeat for other side panel.



STEP THREE

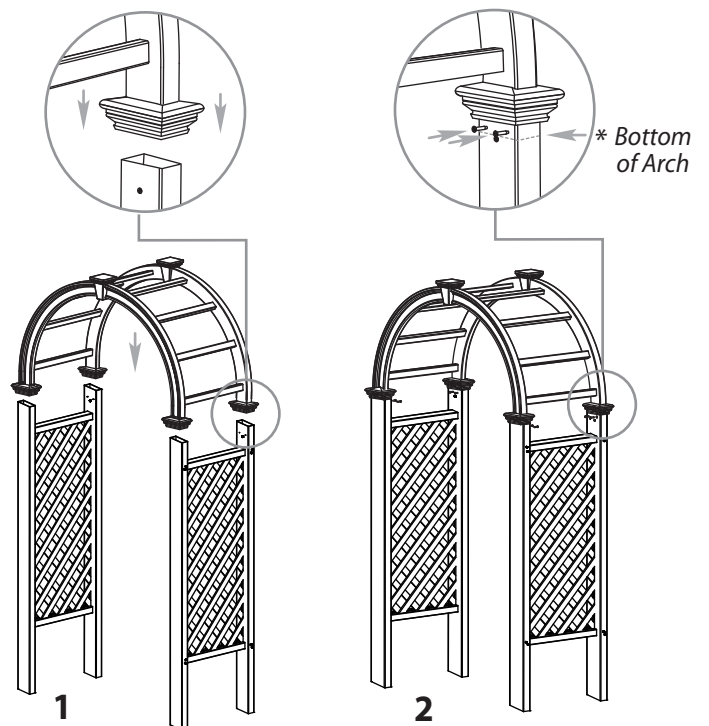
Connect Arch System to Side Panels

1

Insert the assembled arch into the top of all four posts until the arch bottoms rest on top of the "stopper" bolts. You will need a helper.

2

Pull the post caps down into final position over the posts and fasten the arch system to the posts by installing two 1 1/2" (38 mm) screws per post as illustrated



STEP FOUR

A Temporary Arbor Installation

Arbors must be well secured to prevent tipping over from wind load etc. We have provided four ground mounting extensions for securing the arbor in a temporary application like a wedding, etc. These stakes are not designed to permanently mount your arbor.

If you are installing your arbor on concrete or a wood deck, visit your hardware store to purchase the appropriate galvanized bracketing hardware.

Into Earth for Temporary Installation

1

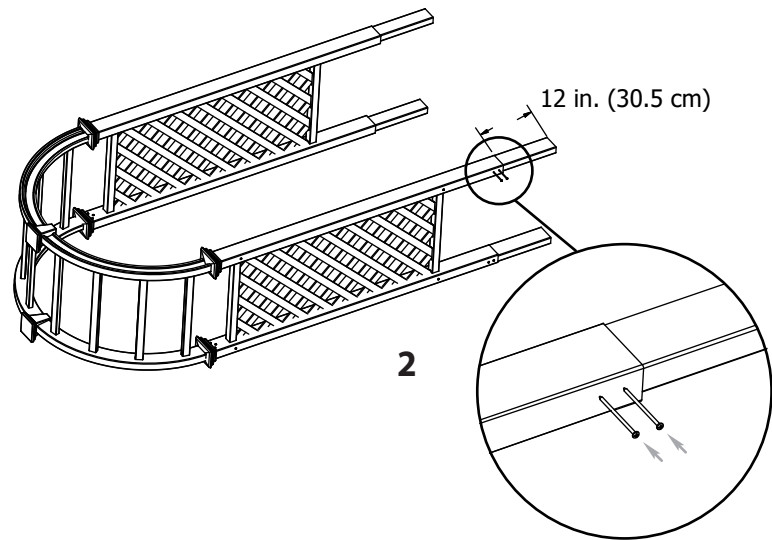
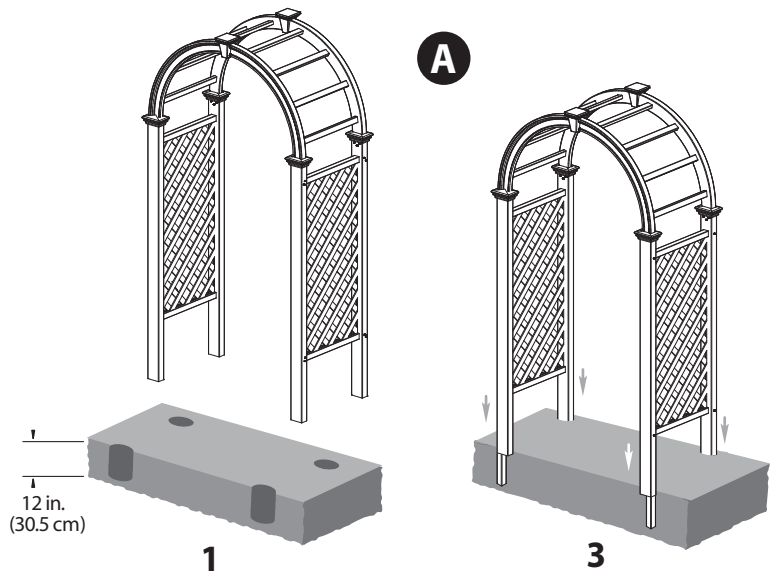
Move the arbor to its final location (you will need a helper). When you are satisfied with the location, mark the positions of the posts, then move the arbor aside and lay it carefully on it's side. Excavate 4 holes approx 12 in. (30.5 cm) deep.

2

Fasten the supplied ground mounting extensions 3 in. into the bottom of each post with two 1 1/2" (38 mm) screws as shown. The ground mounting extensions should extend 12" off the bottom of the post.

3

Carefully move the arbor back into position and level it both vertically and horizontally. Backfill the holes with the excavated soil to cover the anchors.



B Permanent Arbor Installation

Into Earth For Permanent Installation STRONGLY RECOMMENDED

1

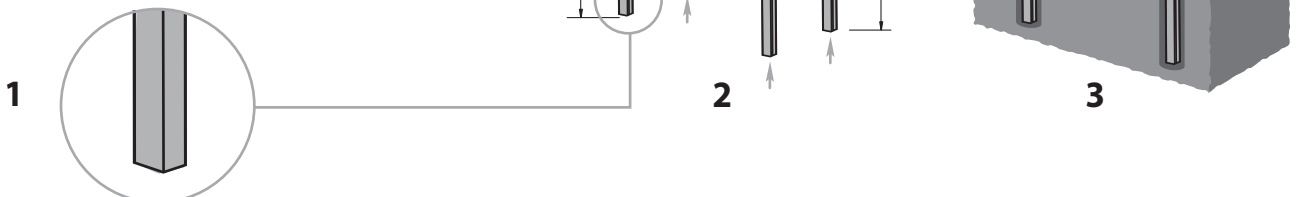
To permanently install your arbor more securely, extend the posts as illustrated with pressure-treated 2"x4" lumber - **purchase separately**. Wood will have to be shaved down to 3 1/4 in. (8.25 cm.) on one side to fit snugly and cut to 46 in. (116.9 cm.) in length to fit up the inside of the vinyl posts.

2

Insert into the bottom of all four posts until they hit the bottom rail of side panel. The wood should extend out the bottom of the vinyl post about 36 in. (91.5 cm.).

3

Fasten accordingly with screws and install either directly into the ground or into a concrete footing.



Wood inserts will need to be custom cut down to size: 3 1/4 in. (8.25 cm.) on one side. **Purchase separately.**