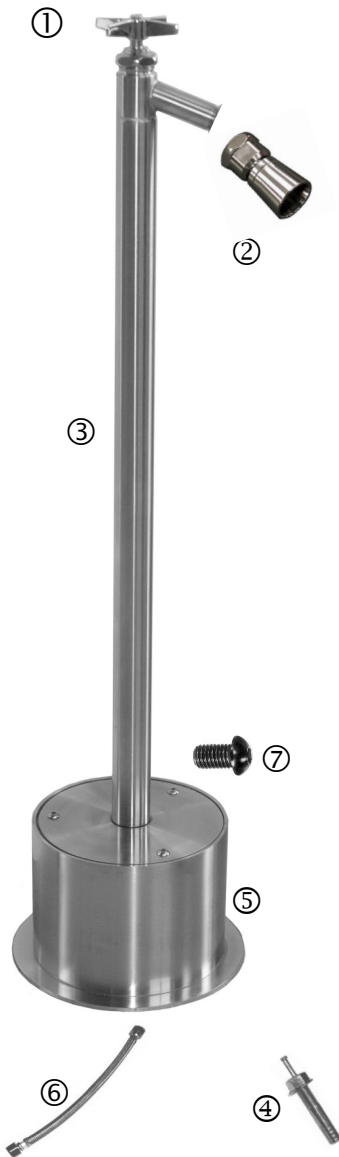


Outdoor Shower Company, LLC
 Dallas, Georgia
 www.outdoorshowerco.com—1-866-shower1
Manufacturers of Quality Stainless Steel Showers



FREE STANDING ACCESSORY UNITS: FOOT SHOWER, DRINKING FOUNTAIN, HOSE BIBB, HAND SPRAY

PARTS LIST: FSFS-200-CHV



- | | | |
|-----|-----------|---|
| (1) | CH-633 | Cross Handle |
| (2) | SH-013 | 1" Chrome Plated Brass Aerating Shower Head |
| (3) | SB-24-FS | Stainless Steel Shower Body with Foot Shower—1" X 24" |
| (4) | AB-238-CS | 3 Carbon Steel Drive Anchor Bolts—3/8" X 2-3/8" |
| (5) | BCB-6 | 6" Stainless Steel Base Cylinder with Brackets |
| (6) | FCH-12-SP | 12" Stainless Steel Flexible Hose |
| (7) | BHS-516 | 5/16" Button Head Socket Head Screws (3) |

ADA COMPLIANT METERED PUSH VALVE TIMING

NOTE: If leak occurs at cap gasket, remove gasket and inspect it for damage and replace if necessary. If the gasket is in good condition, inspect the body surface for scratches or nicks and clean up the surface by reaming if necessary.

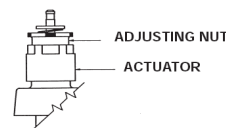
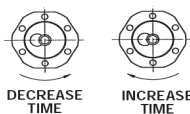
TIMING ADJUSTMENT:

These instructions are for the user to adjust the faucet to provide a flow rate to meet the American Disability Act (ADA) regulations which require 10 seconds running time for the water flow. For ADA compliance follow these procedures:

NOTE: Timing must be checked with the handle in place.

- A) Purge the valve of air by pushing it completely open 4-8 times rapidly and then check the timing cycle.
- B) Remove the handle with a 3/32" hex wrench.
- C) Time is changed by rotating plastic serrated adjustment nut with a pair of pliers. Raising nut (counter clockwise) shortens time, lowering nut (clockwise) lengthens time.
- D) After each adjustment, replace handle and check cycle time.

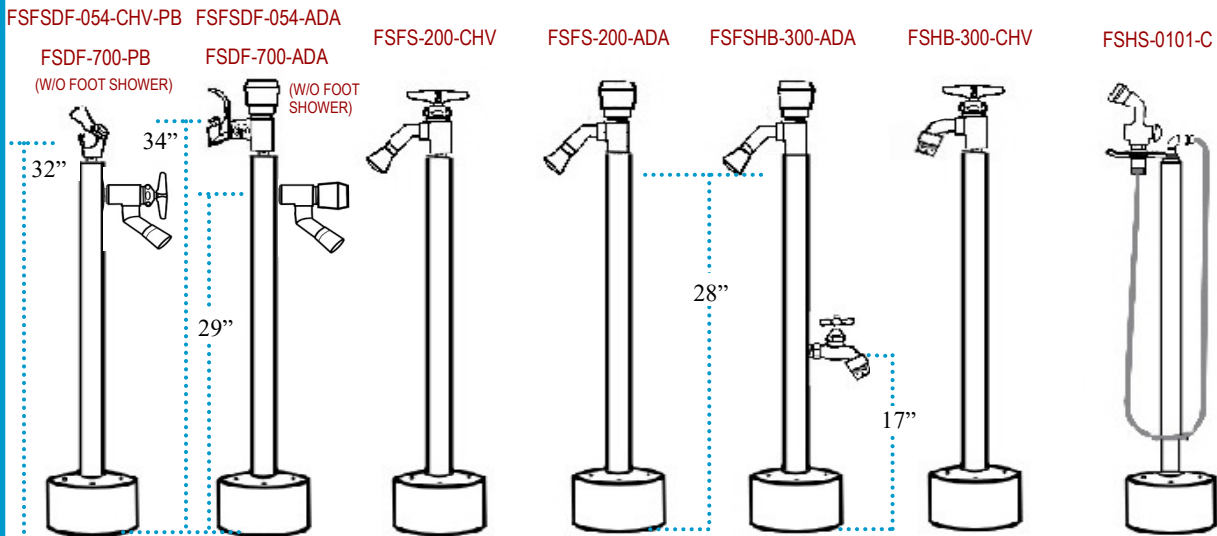
HOW TO ADJUST
TOP VIEW



TECHNICAL DATA:

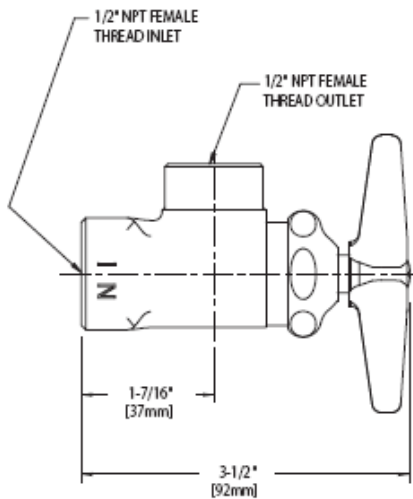
- FREE STANDING UNIT
- 304 STAINLESS STEEL BODY
- CHROME PLATED BRASS VALVES
- CARBON STEEL DRIVE ANCHOR BOLTS
- 304 STAINLESS STEEL BASE AND BASE COVER
- CHROME PLATED BRASS DRINKING FOUNTAIN BUBBLER
- CHROME PLATED BRASS HOSE BIBB
- STAINLESS STEEL & CHROME PLATED BRASS HAND SPRAY

NOTE: Flush supply lines before installing accessories to remove chips and dirt which can become lodged in the seat washer and cause the faucet to malfunction.

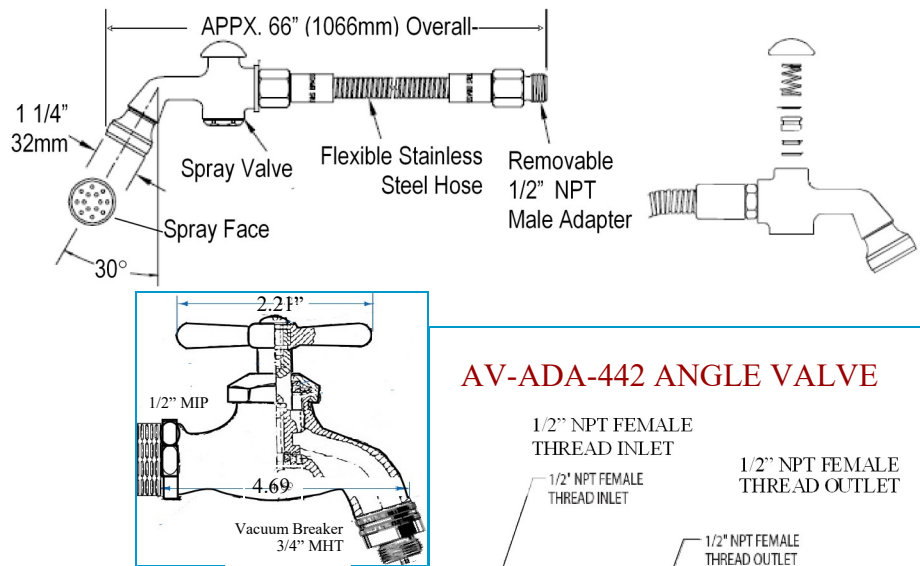


Dimensions and placement of accessories can vary depending on the style and design.

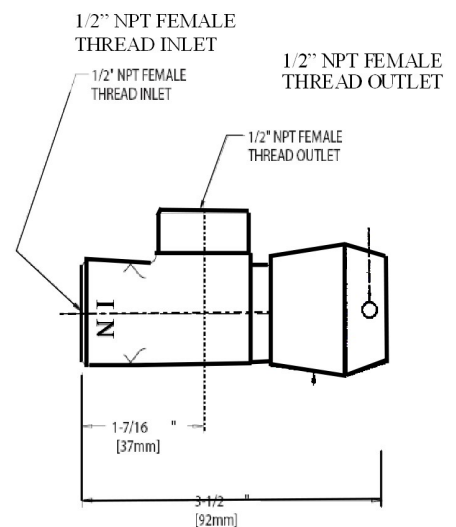
CHAV-442 ANGLE VALVE



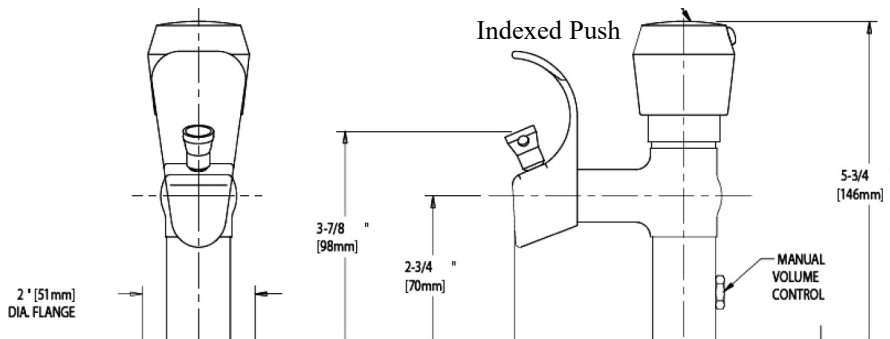
HSH-0101-60 HAND SPRAY & HOSE



AV-ADA-442 ANGLE VALVE



DF-748-665 BUBBLER



WINTERIZING: It is recommended that a shut-off valve be installed in the water line going to the shower connection where freezing temperatures can occur. Accessories can be removed and other parts partially disassembled for complete protection against freeze damage.

FREEZE DAMAGE IS NOT COVERED BY THE WARRANTY.

FREE STANDING COLD WATER SHOWER UNIT INSTALLATION

Items needed: 9/16" wrench and crescent wrench, hammer, roto hammer, 3/8" drill bit, Teflon tape

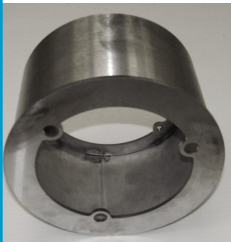
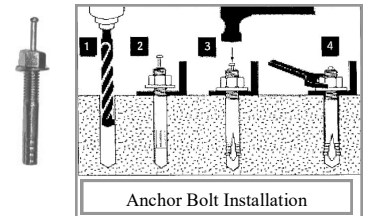
Flush lines before installing valves and shower head. Debris in water line can cause valves to malfunction.

1. Run a 1/2" water supply line at the desired location of the shower unit.
2. Using pre-drilled holes of the Base Cylinder as a guide, mark the placement of the drill holes at desired location of installation. Drill 3, 3/8" holes, 3" deep.
3. Attach one end of 12" flexible hose to water supply line coming out of the ground.



TOP VIEW

4. Position Base Cylinder to line up with pre-drilled holes in flooring surface. Insert Anchor Bolts in each hole. When bolts are in position hit the pin of the bolt with a hammer, locking it into place. Tighten nuts.



BOTTOM VIEW

6. Lay Shower Base and Cover Plate on Base Cylinder and attach other end of flexible hose to underside.

7. Curl hose inside Base Cylinder and place Base Plate on top, lining up with holes.

8. Stand shower base in upright position and attach Base Plate to Base Cylinder using button head cap screws.



Teflon Tape is not needed when attaching Shower Heads or other accessories with washers.

FSFS, FSDF, FSHS, FSHB

- Attach angle valve to top of shower base using Teflon Tape.
- Attach accessories to base using Teflon Tape.

WINTERIZATION

It is recommended that a shut off valve be installed in the supply line going to the shower unit for winterization. To prevent freeze damage remove and store shower unit leaving Base Cylinder anchored to flooring surface. If the shower unit is left outdoors cut off water supply, completely drain or blow out all moisture, and remove all accessories and valves.

FREEZE DAMAGE IS NOT COVERED BY THE WARRANTY.