




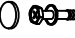

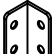


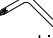


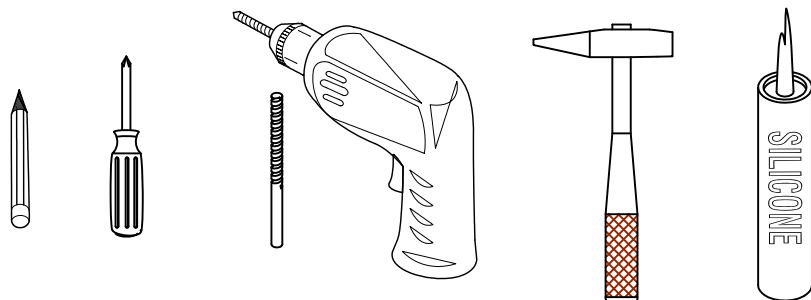
Item NO.:BV B06424

Hardware

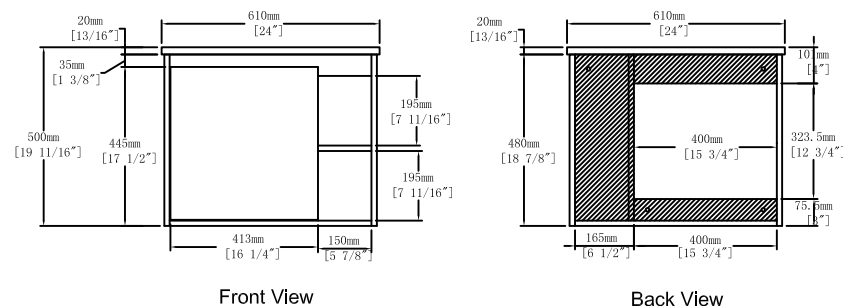
NO.	Draw	QTY
A	 Screws Ø4x14mm	32
B	 Two-in-one connector	30
C	 Two-in-one connector	30
D	 Wood plug	7
E	 Plastic anchor(Ø10mm)	4

NO.	Draw	QTY
F	 Screws for fix on the wall	4
G	 Bracket (53x70x44mm)	2
H	 Bracket (19x19x35mm)	2
I	 Hinges (Internal hiding)	2
J	 Anti-collision gasket	1
K	 Screwdriver	1

Recommended tools



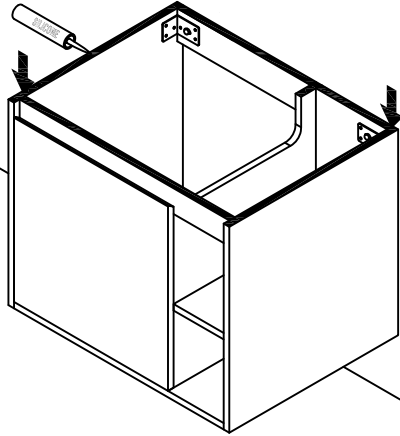
Dimensions



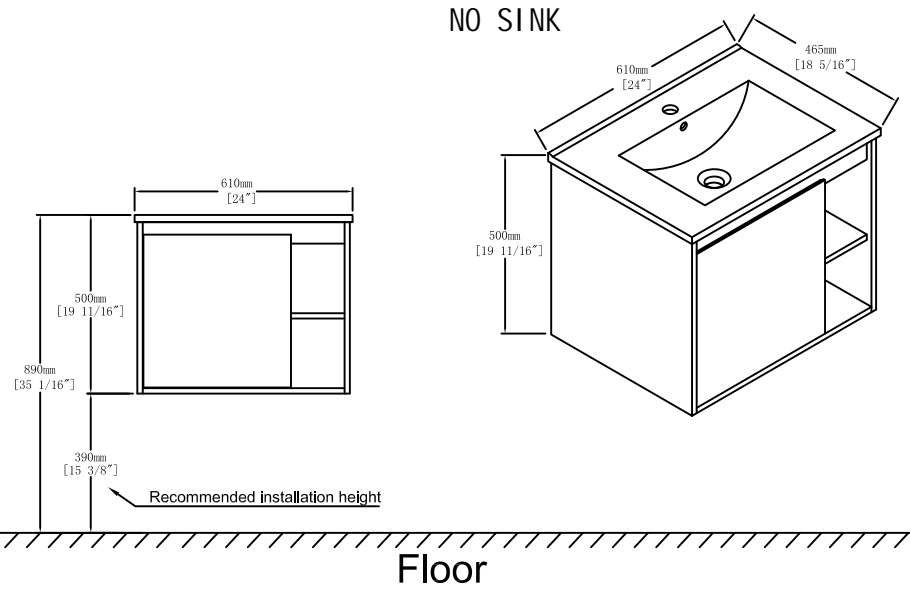
CARE CLEANING AND MAINTENANCE

1. Dust regularly with a soft , dry cloth.
2. Avoid the use of all chemicals household cleaners, abrasives, or cleaners that contain lemon, vinegar, or other acids that may damage the finish.
3. Excessive exposure to sunlight and extreme changes in temperature and moisture can damage wood furniture.
4. The sink top is resilient, but care needs to be taken to preserve its appearance.
5. Do not place hot appliances, such as curling irons and hot hair dryers directly on the countertop. Wipe spills immediately.

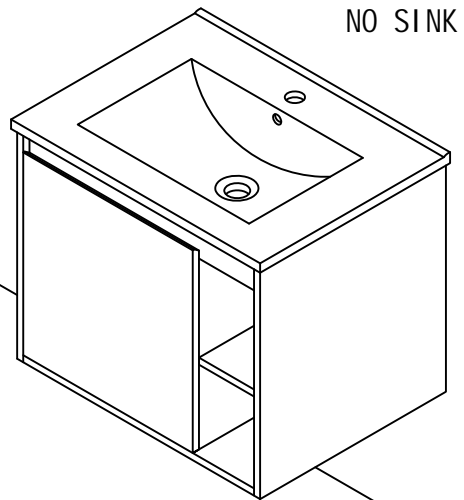
Step 14



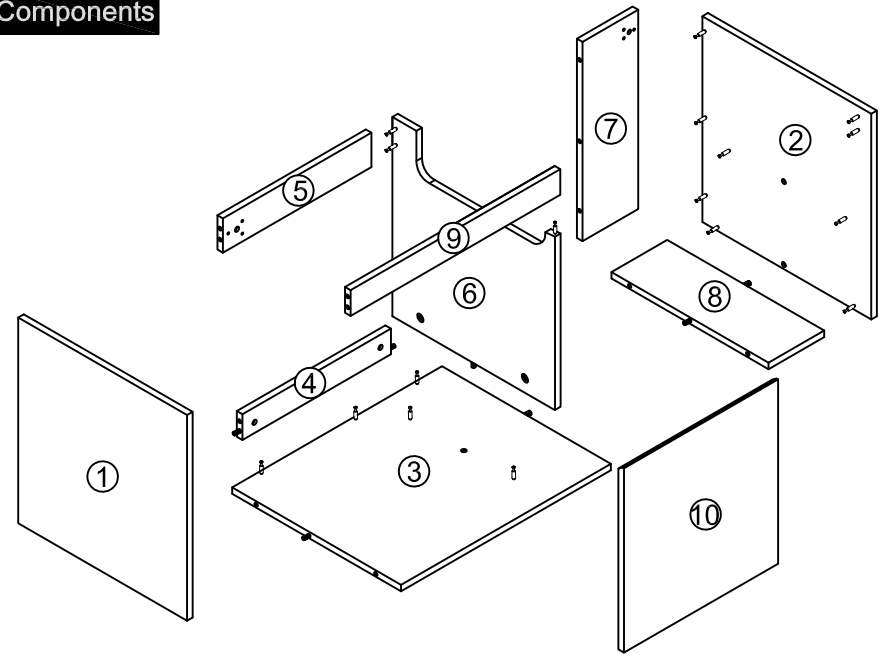
Dimensions



Finished



Components



Step 1

Notes: Screw installation depth as shown

Attention: Cam lock arrow point to the steel rod.

- Screw B x3
- Screw C x3
- Cam lock K x1

Step 2

Note: The D parts are used for this hole

first step second step third step

- Screw B x3
- Screw C x3
- Screw D x1
- Cam lock K x1

Step 12

- Screw E x4
- Tool

Step 13

- Screw F x4
- Tool

Step 9

	x2
I	($\varnothing 4 \times 14\text{mm}$)
	x12
A	
	x2
J	
	Tool

You can adjust the doors by tightening or loosening the screws on the hinge. →

Step 3

	x5
B	
	x5
C	
	x1
D	
	x1
K	

Note: The D parts are used for this hole

Step 10

	Tool
--	------

Step 11

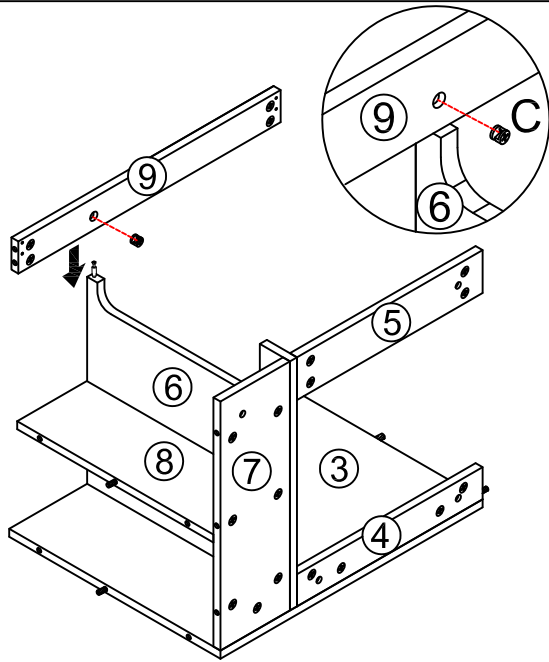
	Tool
--	------

Step 4

	x2
B	
	x2
C	
	x1
D	
	x1
K	

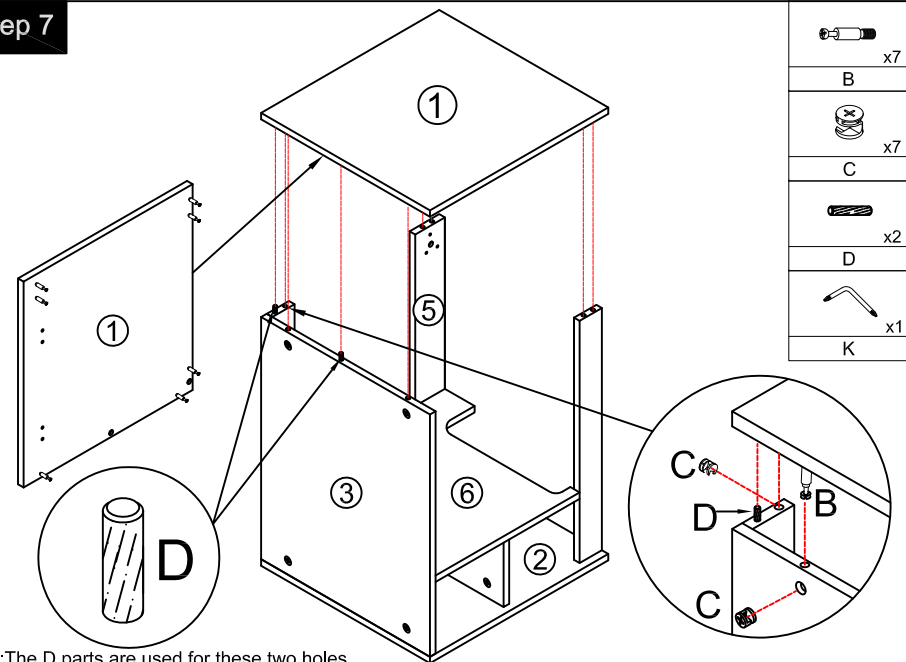
Note: The D parts are used for this hole

Step 5



	x1
B	
	x1
C	
	x1
K	

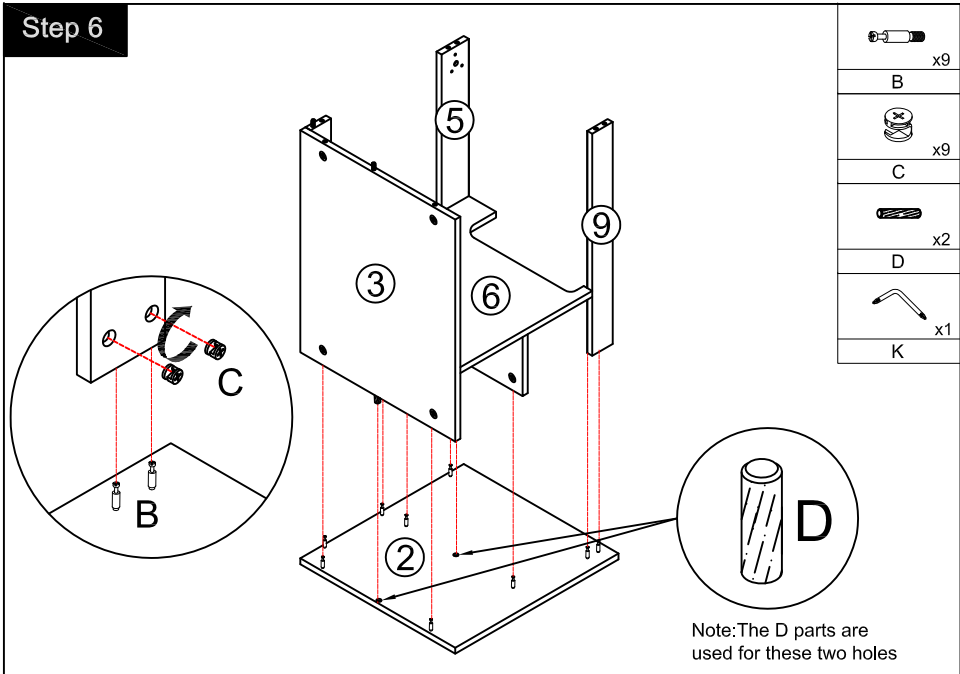
Step 7



	x7
B	
	x7
C	
	x2
D	
	x1
K	

Note: The D parts are used for these two holes

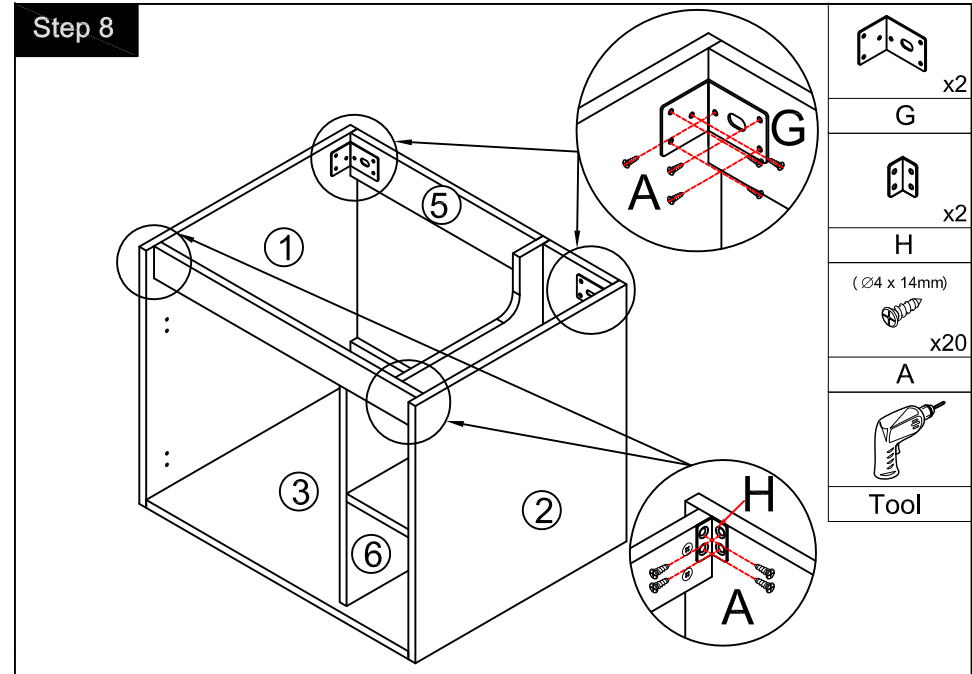
Step 6



	x9
B	
	x9
C	
	x2
D	
	x1
K	

Note: The D parts are used for these two holes

Step 8



	x2
G	
	x2
H	
($\varnothing 4 \times 14\text{mm}$)	
	x20
A	
Tool	