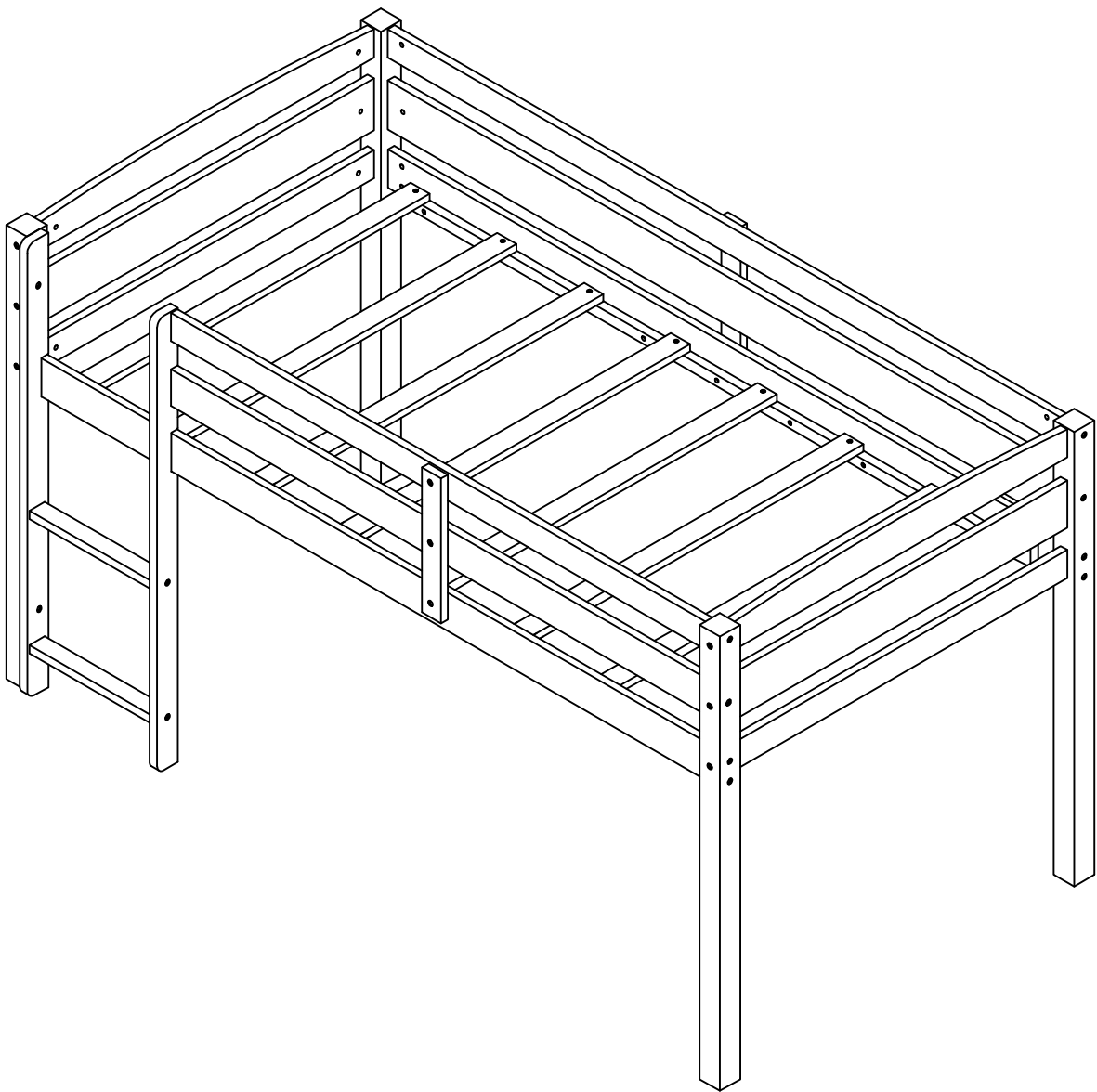


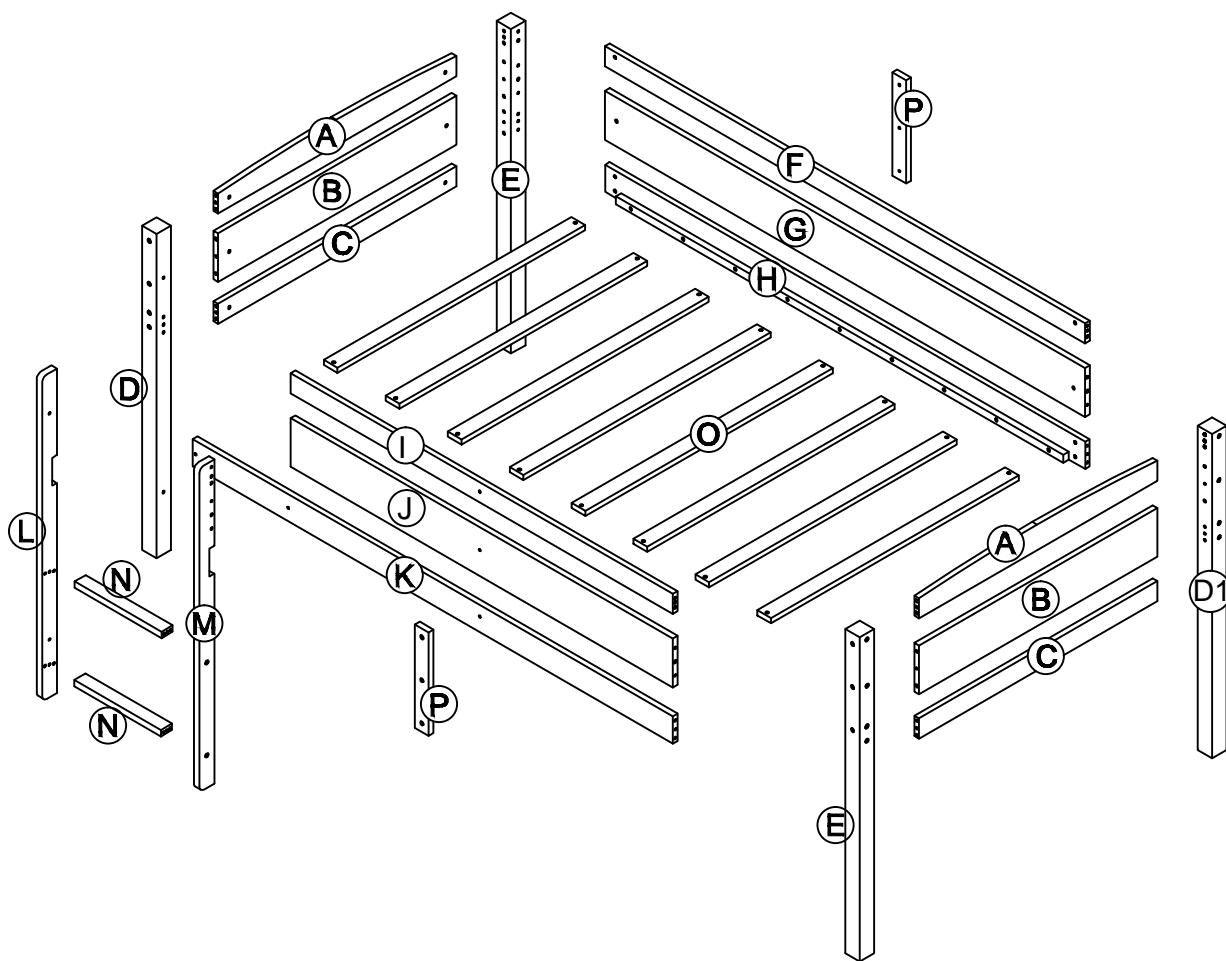
ASSEMBLY INSTRUCTIONS

LOFT BED

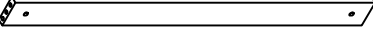
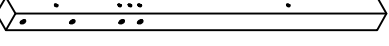

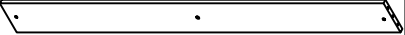

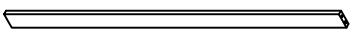
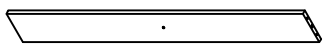
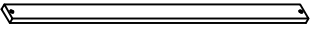


WF192082

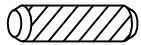









Detail View



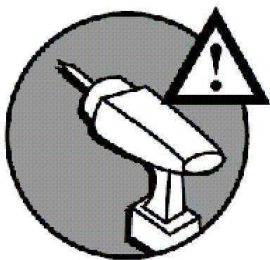
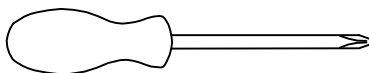
Part List

A 	B 	C 
Horizontal bar - 2pcs	Horizontal bar - 2pcs	Horizontal bar - 2pcs
D 	D1 	E 
Leg HB (Left) - 1pc	Leg FB (Left) - 1pc	Leg HB & FB (Right) - 2pcs
F 	G 	H 
Upper long guard rail - 1pc	Lower long guard rail - 1pc	Side rail (Back) - 1pc
I 	J 	K 
Upper short guard rail - 1pc	Lower short guard rail - 1pc	Side rail (Front) - 1pc
L 	M 	N 
Left side ladder -1pc	Right side ladder -1pc	Step ladder -2pcs
O 	P 	
Slat - 8pcs	Support side rail -2pcs	

Hardware List

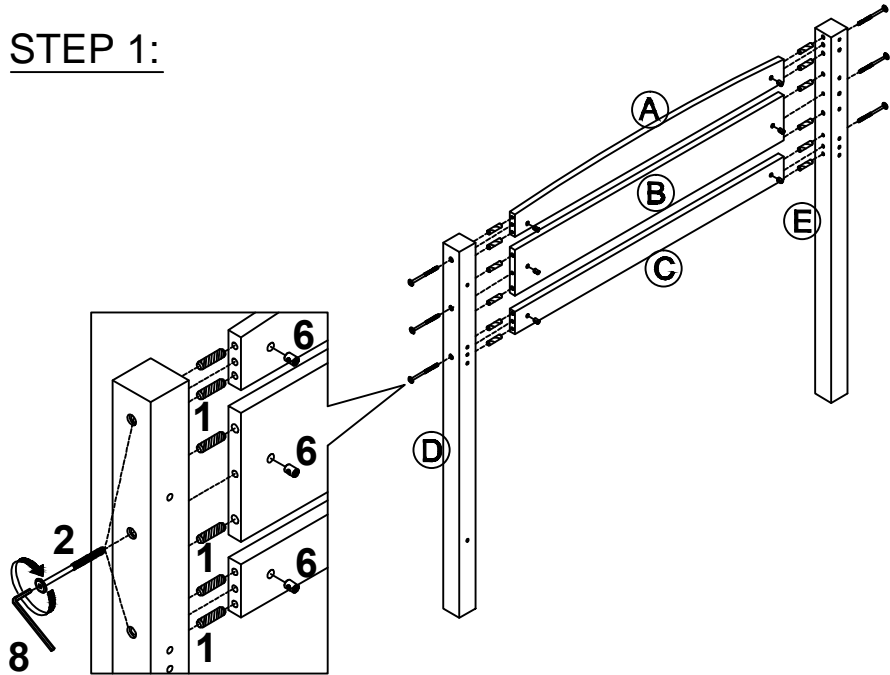
1  < F€H€ { Wood dowel (51pcs)	2  (Ø15)1/4"*100mm Hex-Head bolts (12pcs)	3  Ç FÍ DFD ÄÉ € { Hex-Head bolts (14pcs)
4  Ç FÍ DFD ÄÉ € { Hex-Head bolts (2pcs)	5  (Ø12)1/4"*30mm Bolts screw (6pcs)	6  1/4"*15 (9.5mm) Horizontal-Hole bolts(28pcs)
7  Ø4*30mm Wood screws (16pcs)	8  (1/4")4.5*58mm Allen key (1pcs)	9  Ç FGD FFD ÄÉ € { Bolts screw (5pcs)
10  Ç FÍ DFD ÄÉ Í { { Hex-Head bolts (2pcs)		

ASSEMBLY TOOLS REQUIRED (NOT INCLUDED)



PLEASE BE CAREFUL DO NOT DAMAGE THE HOLE POSITION WHEN YOU USE POWER TOOLS !

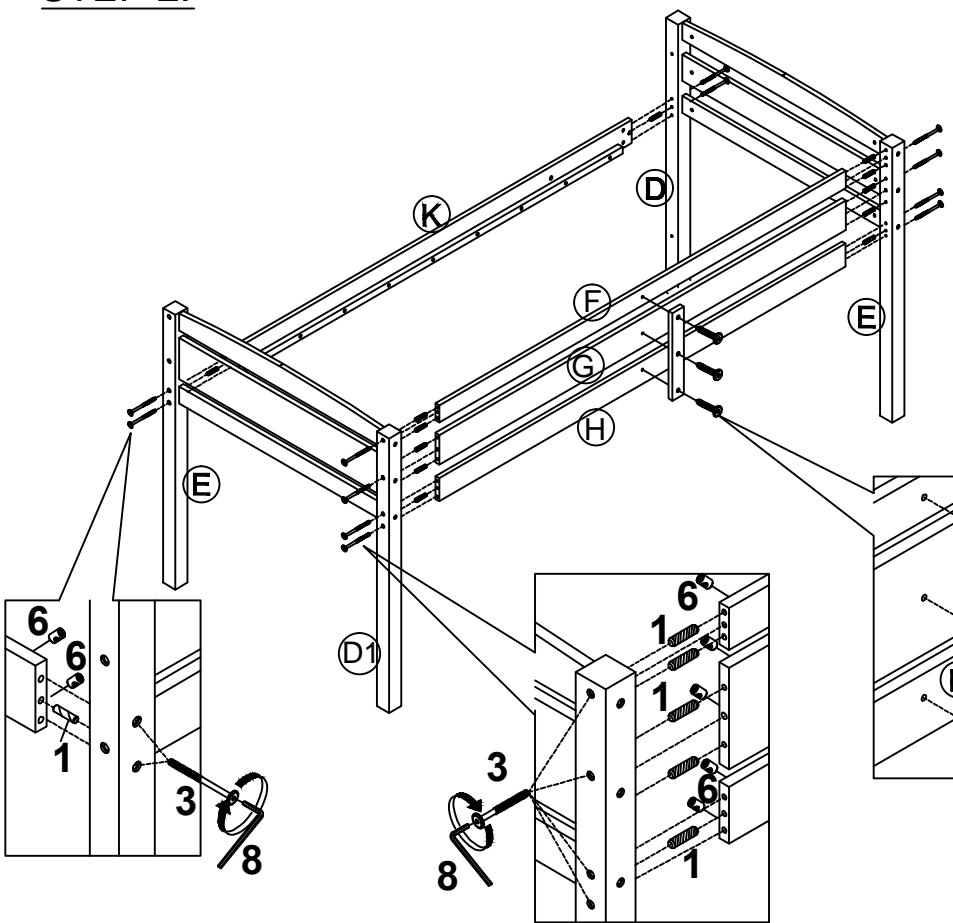
STEP 1:



1		2	
24PCS		12PCS	
		6	
		12PCS	





2 PCS

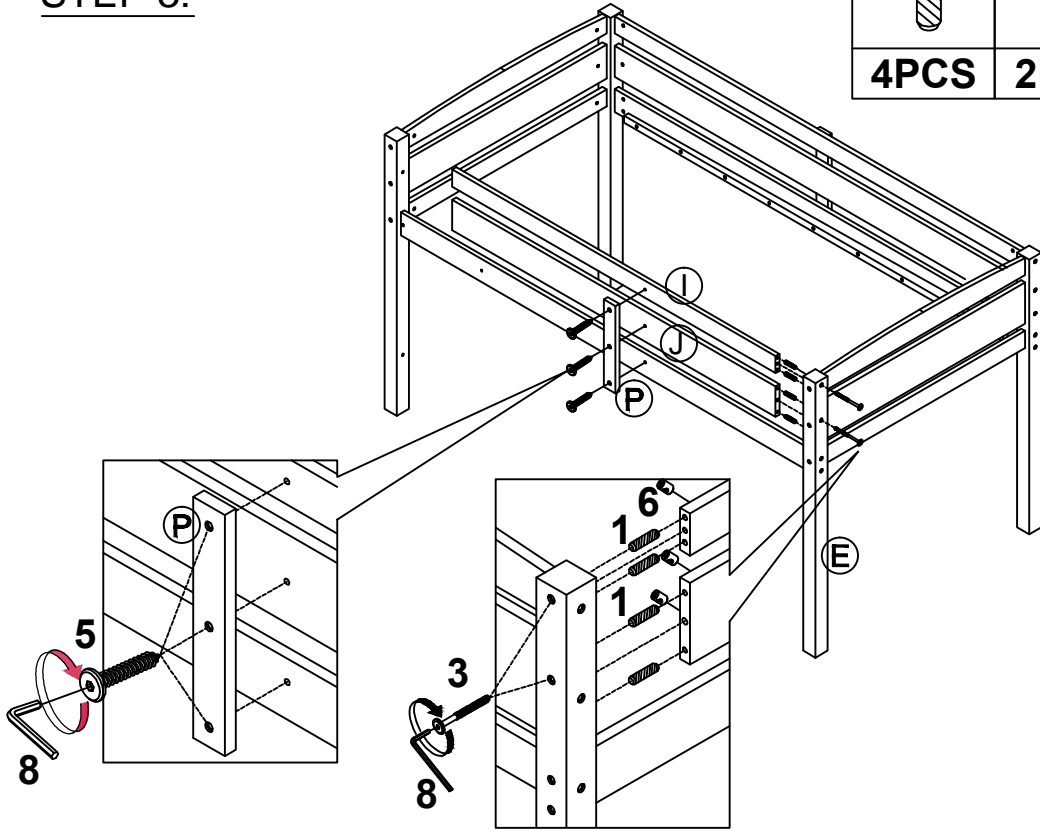
STEP 2:





1		3	
10PCS		12PCS	
		5	
		3PCS	
		6	
		12PCS	

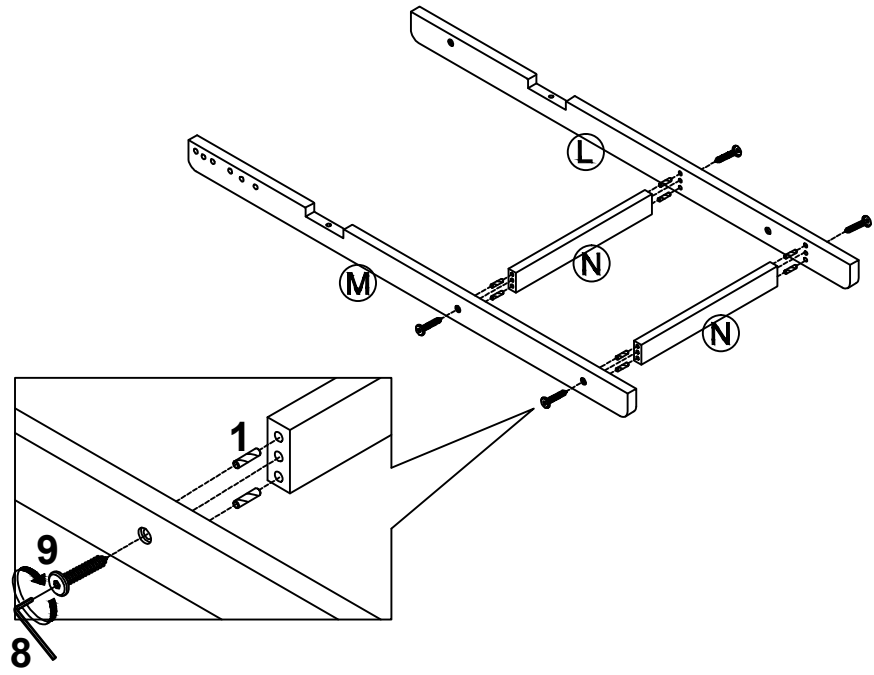
STEP 3:

1		3		5	
4PCS		2PCS		3PCS	
				6	
				2PCS	

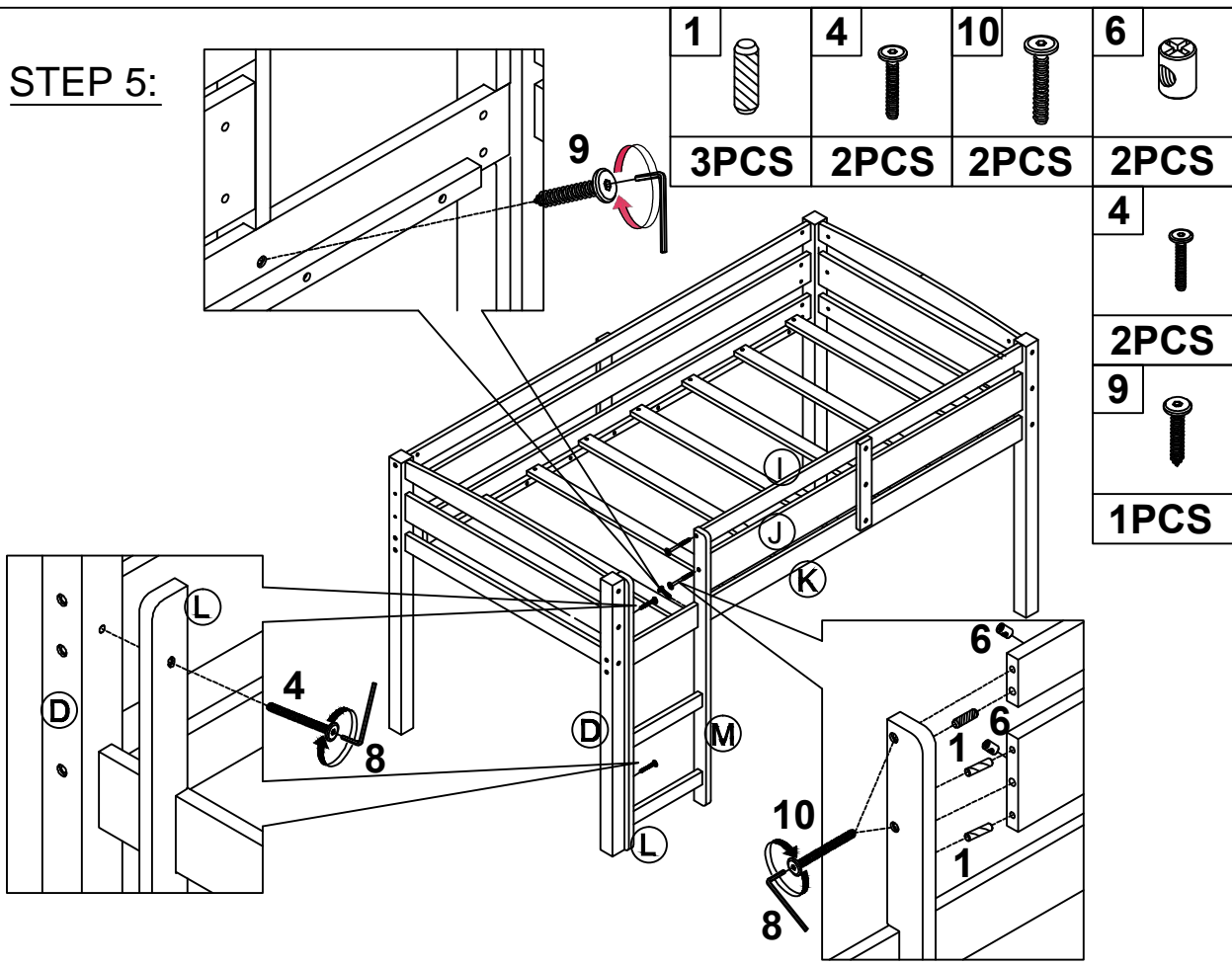


STEP 4:

1		9	
8PCS		4PCS	

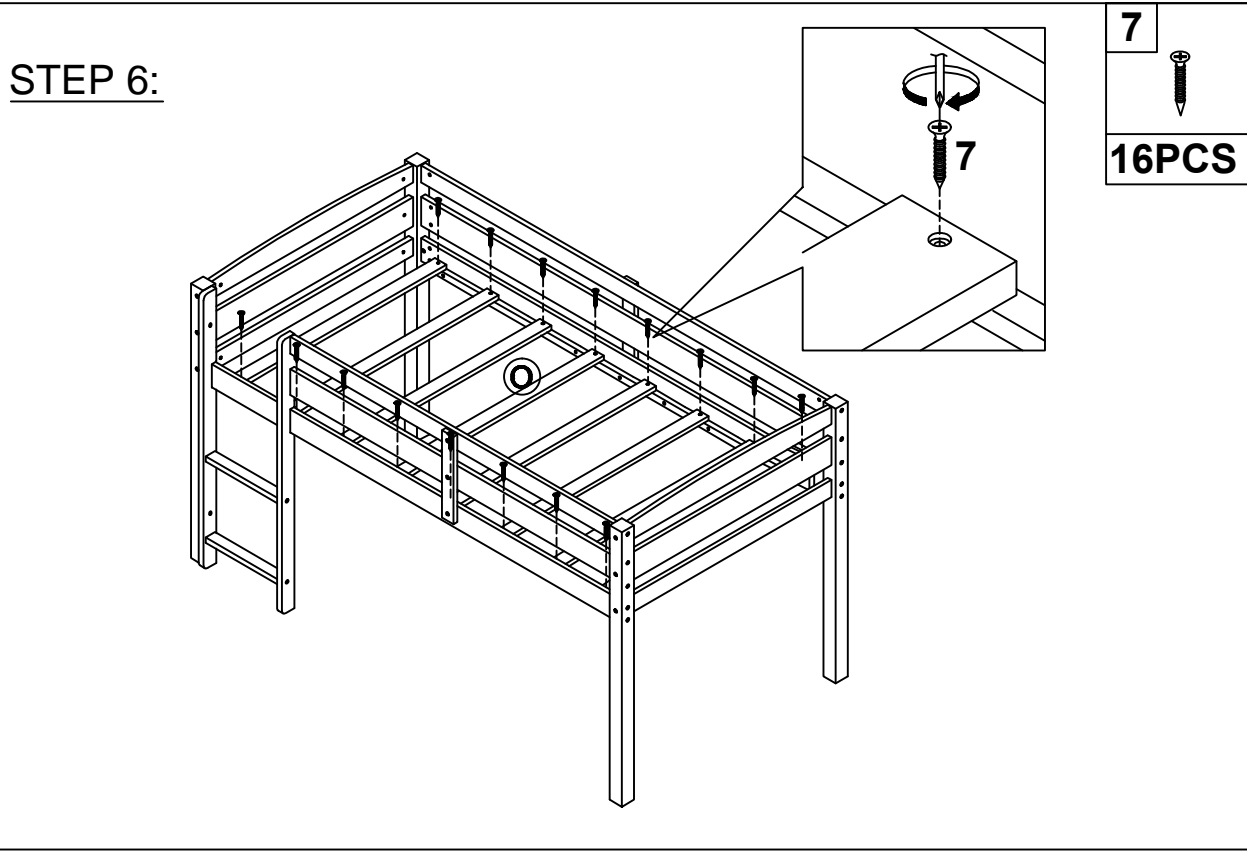


STEP 5:



1	4	10	6
3PCS	2PCS	2PCS	2PCS
			4
			2PCS
			9
			1PCS

STEP 6:



7
16PCS