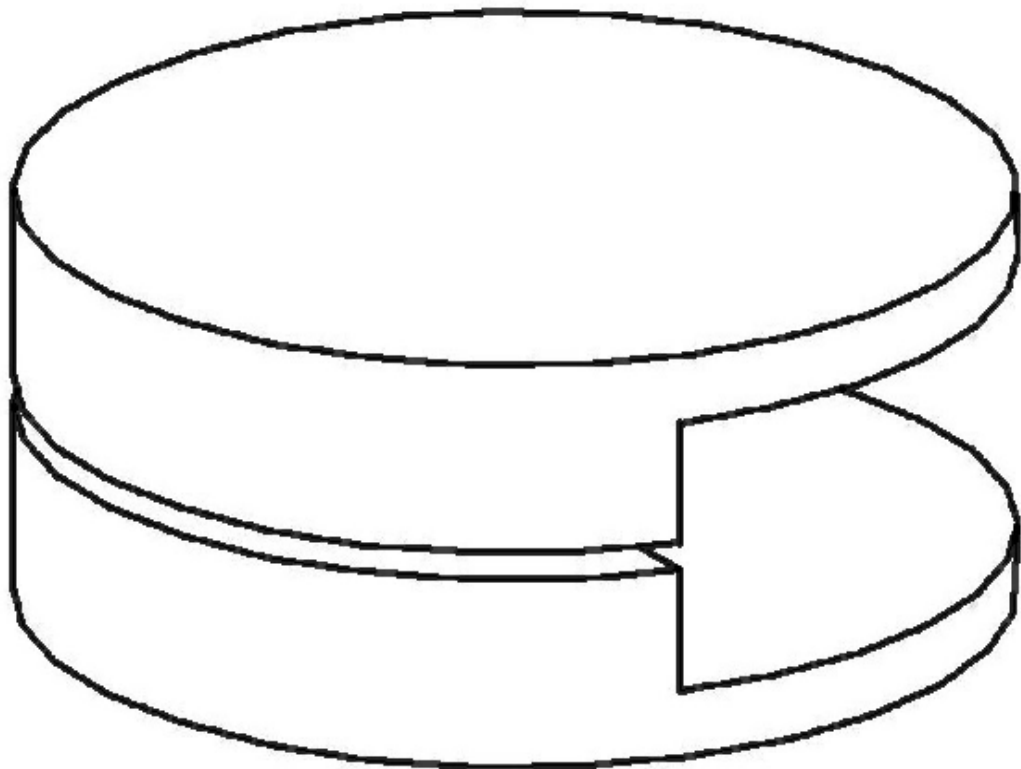


Assembly Instructions

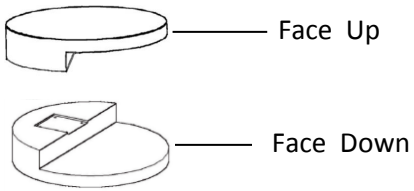
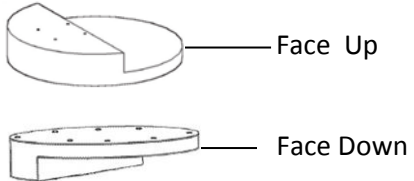
Caution : You must read this before you proceed

COFFEE TABLE


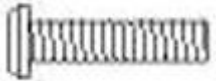
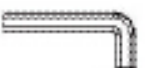


- CAUTION:** 1. When moving or lifting the coffee table, you must have a second adult to help you.
2. When moving or lifting the table ensure you and your partner grab hold of both the top and bottom. As this product is heavy and can rotate, it may swing causing damage to the product and injury to yourself or your partner.
3. The table top's **MAXIMUM** capacity is 33lbs. Loading the table with more than 33lbs will cause damage to the product.
4. Never let children climb onto the product as it could cause the table to break and injury to the child.

Parts List

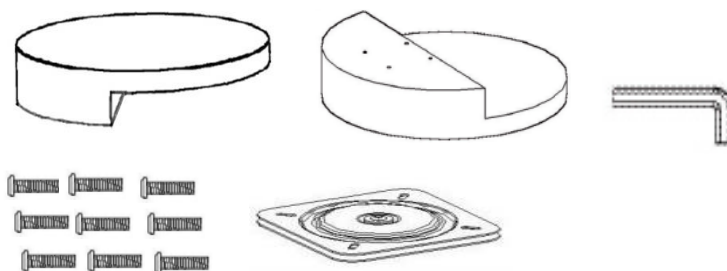
Label	Picture	Description	QTY
A		Top Board	1
B		Bottom Board	1

Hardware

Label	Picture	Description	QTY
①		Turning Plate	1
②		Bolt	9
③		Allen Key	1

Assembly Preparation

Before Beginning Assembly:



- Read instructions, cover to cover-



- Have 2 adults on hand for assembly-



- Do not assemble on flooring or carpet-



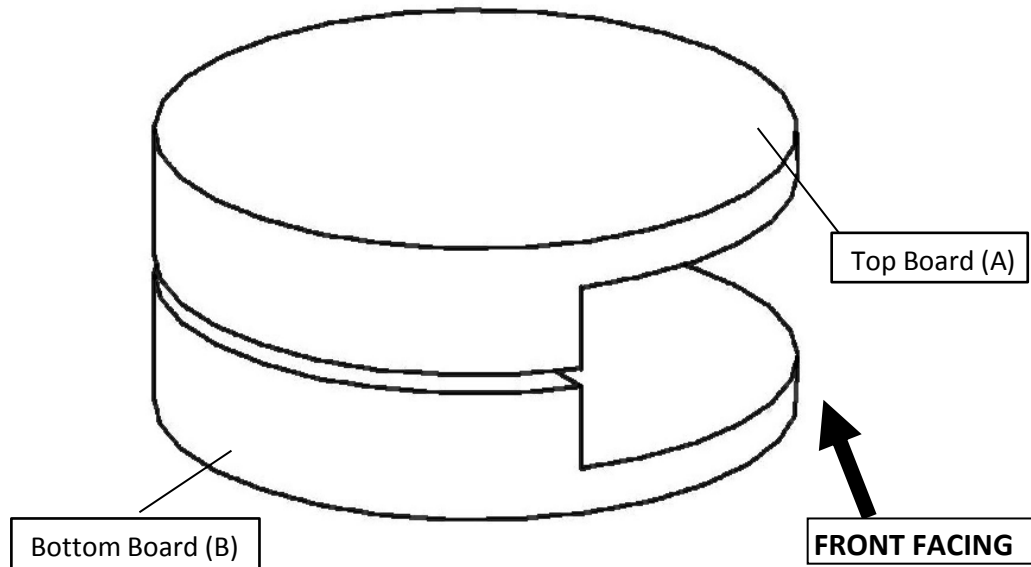
- Assemble on a clean non-marring surface (packing foam)-



- Save all packaging until finished-

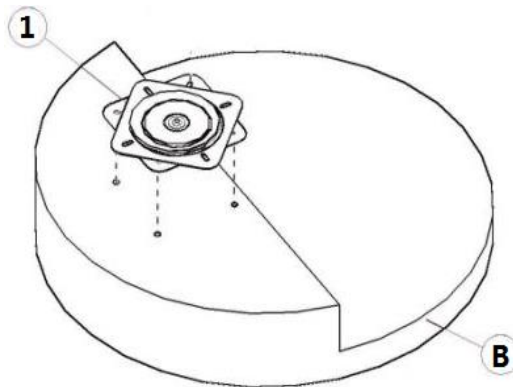
Assembly Steps

Overview



This Coffee Table has multiple parts and may require up to some 30 minutes to assemble. To give you an overview of the Coffee Table parts, the above picture is to help you put the various parts into perspective. Please read through the instructions below to familiarise yourself with the parts and steps before assembly.

Step 1

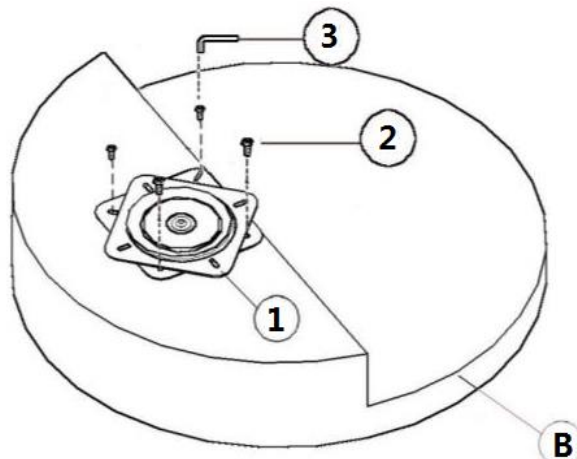


Place the Bottom Board(B) on a clean, non-marring surface.

Position the Turning Plate(①) into an octagonal position, as shown above.

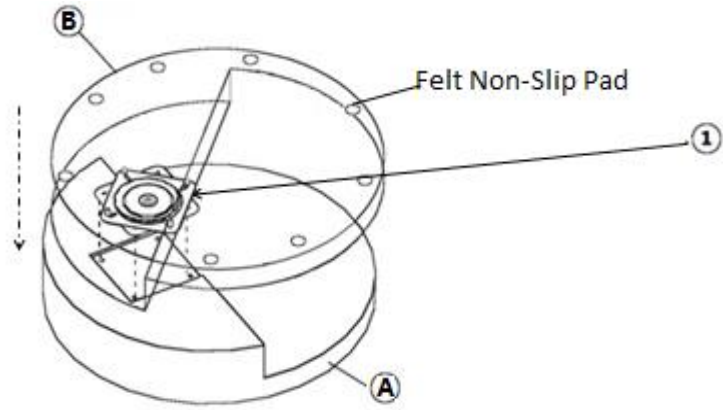
Align the four Mounting Positions of the Turning Plate(①) onto Bottom Board(B) .

Step 2



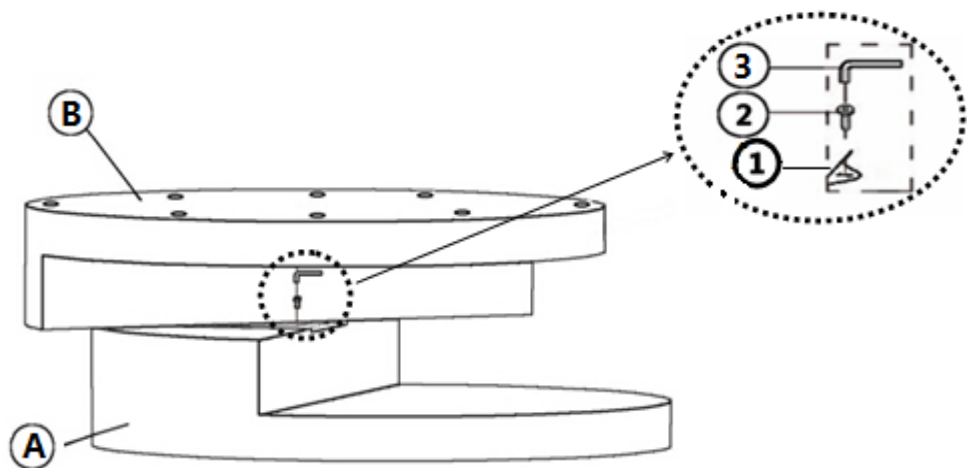
Attach Turning Plate(①) and Bottom Board(B) with Bolt(②) using Allen Key(③).
Tighten all Bolts in a sequential manner.

Step 3



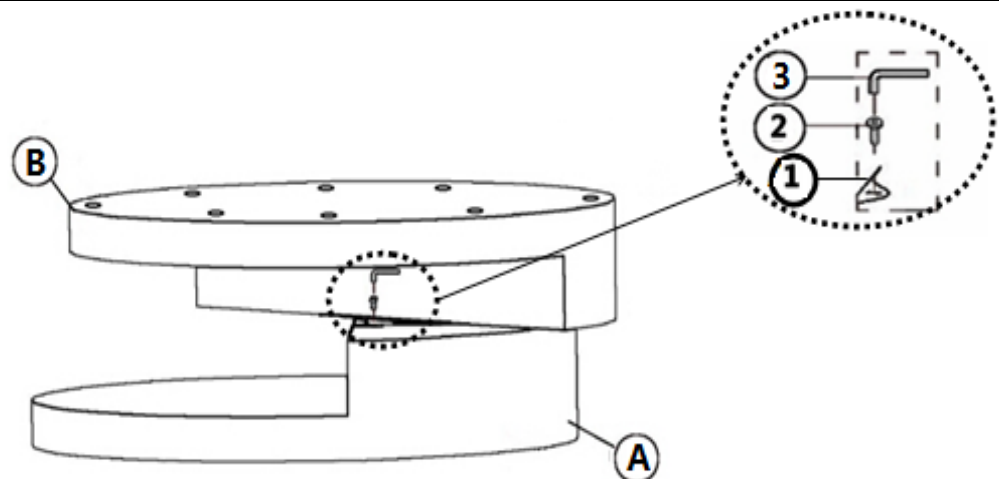
Put the Top Board(A) on a clean, non-marring surface.
(Suggestion: Place it on a raised stable, surface platform or table, for easier assembly).
Turn over the assembled Bottom Board(B) .
Align the four mounting positions of Turning Plate(①) into the groove of Top Board(A).

Step 4



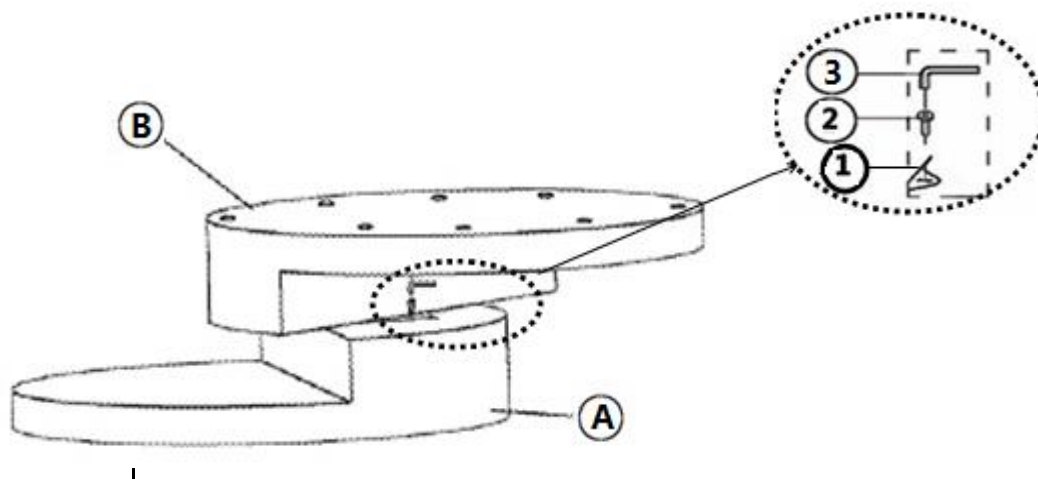
Rotate the Bottom Board(B) slowly until the 1st mounting position becomes visible.
Screw Bolt(②) into Mounting Position of Turning Plate(①) with Allen Key(③).
Tighten the Bolt until it does not impede the plate from rotating further

Step 5



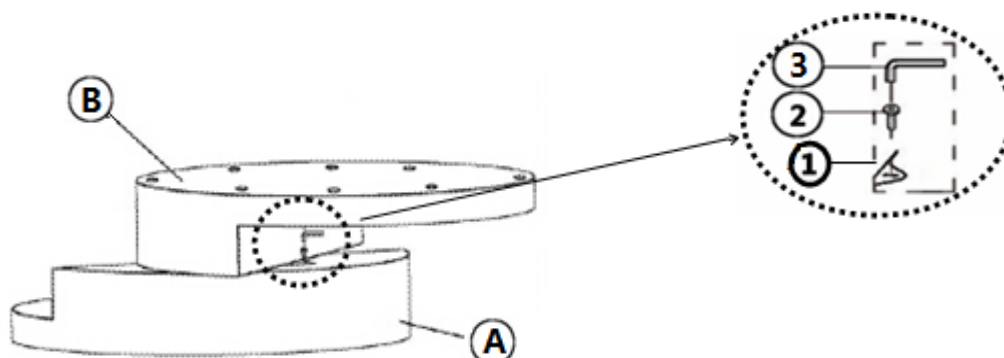
Rotate the Bottom Board(B) slowly until the 2nd mounting position becomes visible.
Screw Bolt(②) into Mounting Position of Turning Plate(①) with Allen Key(③).
Tighten the Bolt until it does not impede the plate from rotating further.

Step 6



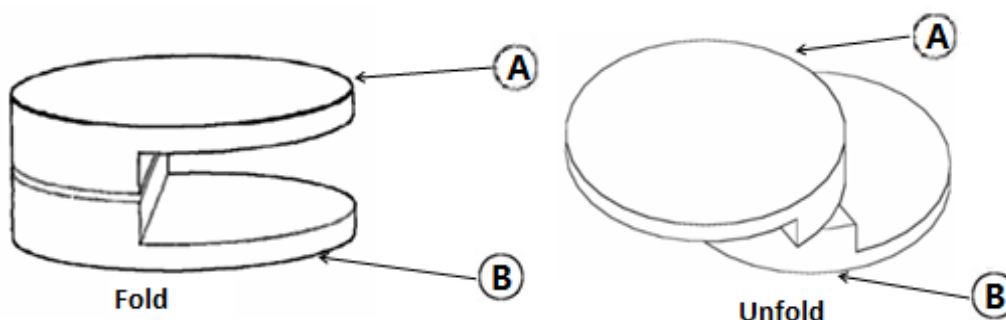
Rotate the Bottom Board(B) slowly until the 3rd mounting position becomes visible.
Screw Bolt(②) into Mounting Position of Turning Plate(①) with Allen Key(③).
Tighten the Bolt until it does not impede the plate from rotating further

Step 7























Rotate the Bottom Board(B) slowly until the 4th mounting position becomes visible.
Screw Bolt(②) into Mounting Position of Turning Plate(①) with Allen Key(③).
Tighten the Bolt until it does not impede the plate from rotating further.
Now tighten all Bolts securely in a sequential manner.

Step 8



Turn over the whole coffee table.
Your Coffee Table is ready for use.
The Top Board(A) can be rotated 360° for use.
This Coffee Table can only be used on a flat, level surface.

Care & Maintenance

-   ● Do not put hot items directly on furniture surface
 -   ● Do not clean furniture with harsh cleansers or polish.
 -   ● Do not place furniture under direct sunlight.
 -   ● Do not place furniture near heating or cooling vents.
 -   ● Do not write on furniture without a padded barrier to protect the surface.
 -   ● Do not place furniture outside . For indoor use only .
 -   ● Not for commercial use. For residential use only .
 -   ● Stains may be removed with mild soap solution and damp cloth.
 -   ● Children should not climb or jump on the furniture.
-
-   ● Dust and pick-up spills using a clean, non-colored, lint-free cloth .

What is Proposition 65?

Proposition 65 is a California law that requires warning labels on products that may contain one of more than 800-plus chemicals or ingredients that the California Office of Environmental Health Hazard Assessment (OEHHA) has deemed to cause cancer or other reproductive toxicity. Chemicals and elements on this list include wood dust, brass, and other everyday substances, which can be found in very common household items, such as: lamps, tableware, jewelry, crystal glasses, electric cords, beauty products, automobiles, and furniture.

Why Did I Find a Proposition 65 Warning on My Home Goods Product?

We include Proposition 65 warnings on all of our products because there is always a chance that one of the 800-plus common chemicals and ingredients listed under this law could potentially be on our furniture or packing materials. We risk large fines under this law, if we don't include this warning.

Should I worry?

We realize you may be worried finding this warning on our products, but we want to reassure you that the hazardous exposure limits for any of these chemicals have never been found on furniture products that we've shipped to our customers. Additionally, this warning label is very common and can be found on almost every piece of furniture sold in the state of California.

Just How Common Are Proposition 65 Warnings?

Proposition 65 warnings have become so common in California that it is hard to take a trip to a local bank, grocery store, or restaurant without finding at least one warning. In fact, even the Disney Land Resort has a Proposition 65 warning:

