

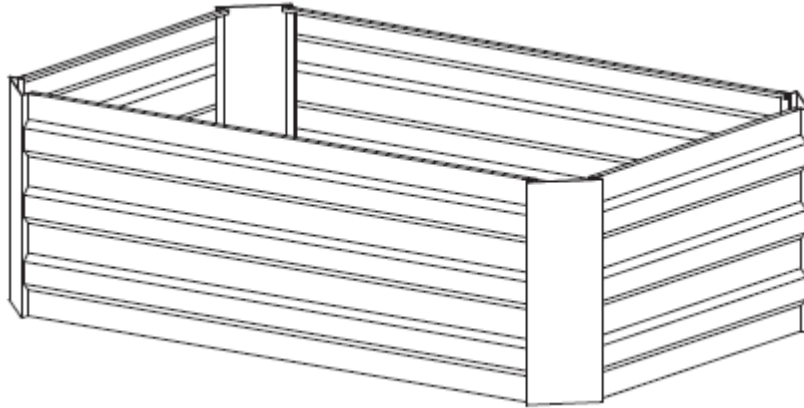
Instruction Manual

Please save this manual for future reference.

Product Name:	Metal Rectangular Garden Bed
	(depth: 20in.); (depth: 11.8in.)

Thank you for purchasing this product. This product has been manufactured with the highest standards of safety and quality.

ASSEMBLY INSTRUCTION



PREPARATION

Before assembling product, make sure all parts are present. Compare parts with package contents list and hardware contents below. If any part is missing or damaged, do not attempt to assemble the product.

Tools required for assembly (included): Allen key

SAFETY INFORMATION

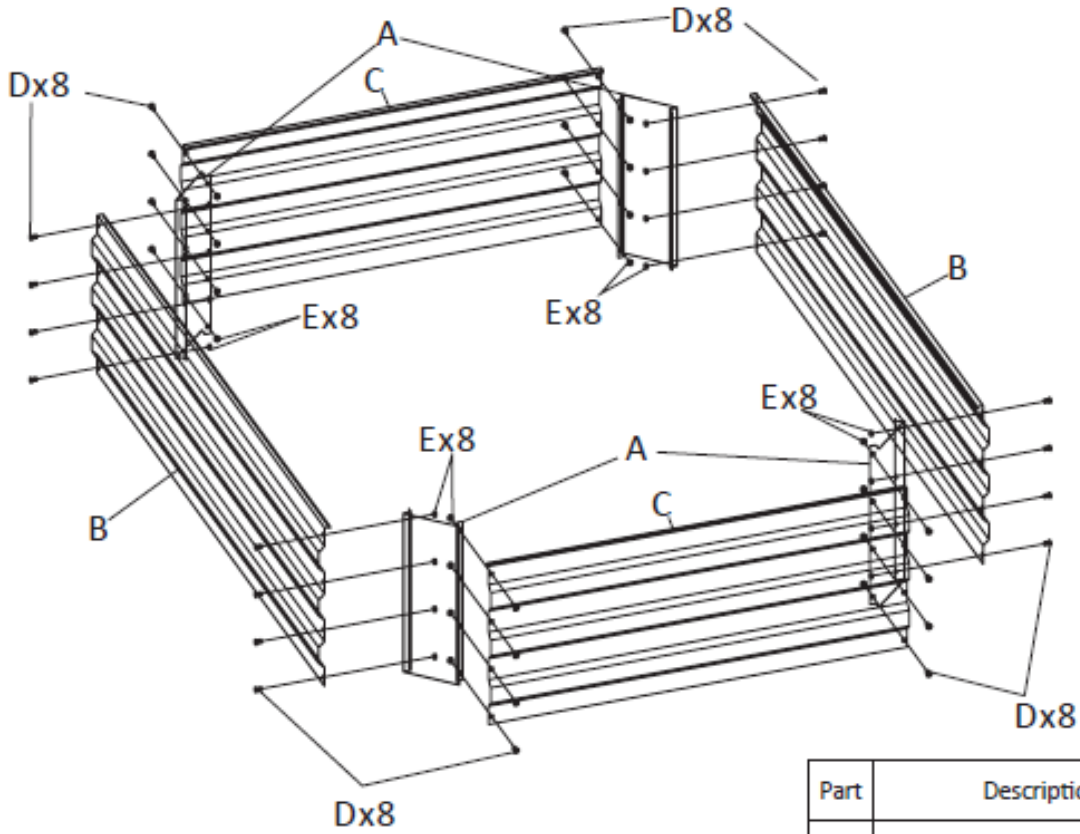
- Tighten all the bolts and nuts before using.
- This planter is intended for outdoor use only. The floor may be wet when watering the plant.
- Not for use by children. Keep children and pets away from the planter.

Instruction Manual

Please save this manual for future reference.

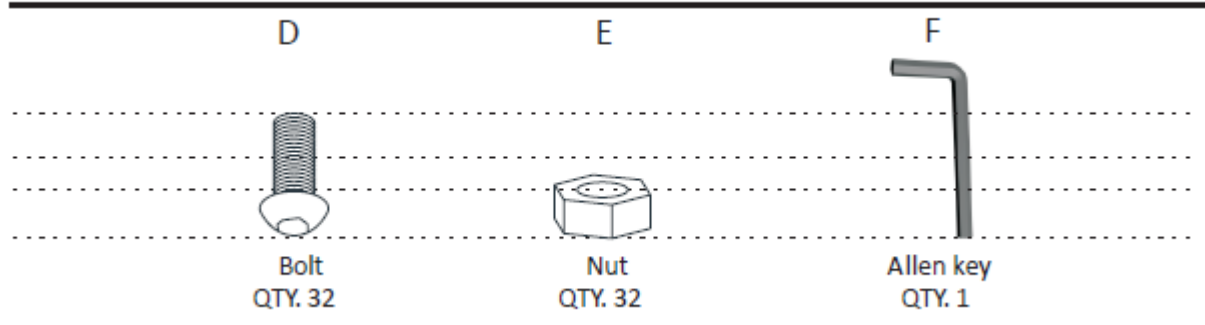
Product Name:	Metal Rectangular Garden Bed
	(depth: 20in.); (depth: 11.8in.)

PACKAGE CONTENTS



Part	Description	Quantity
A	frame	4
B	long panel	2
C	short panel	2

HARDWARE CONTENTS



Instruction Manual

Please save this manual for future reference.

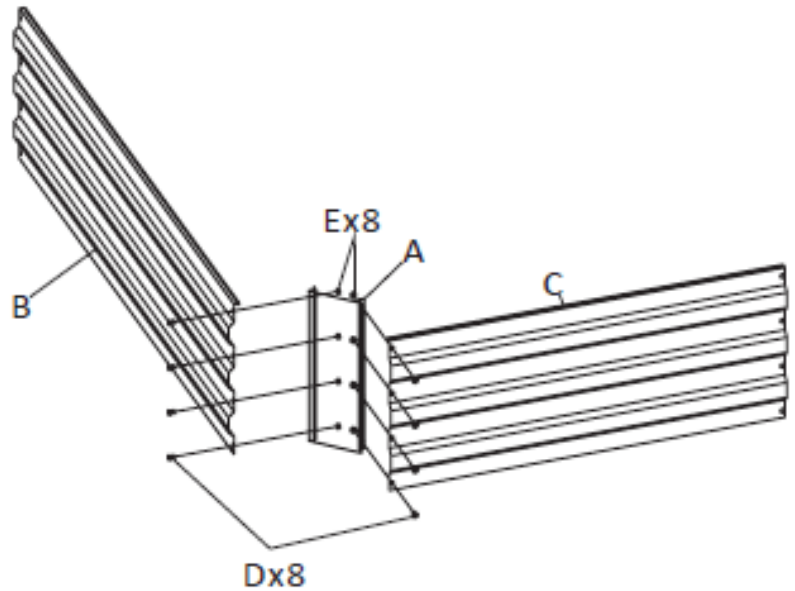
Product Name:	Metal Rectangular Garden Bed
	(depth: 20in.); (depth: 11.8in.)

- ① Align the holes on the frame (A) with the holes on the long panel (B) and short panel (C). Attach the frame and panels with bolts(D) and nuts(E).

Hardware Used:

D  x8
Bolt

E  x8
Nut



- ② Do the same way to other 3 frames and panels.
Tighten bolts and nuts with Allen key (F).

Hardware Used:

D  x24
Bolt

E  x24
Nut

