



# PROKAN

## SS304 BUILT-IN ARGENTINE CHARCOAL AND WOOD BBQ GRILL

Model Number: ARCG304-BI-S

## SS304 ARGENTINE CHARCOAL AND WOOD BBQ GRILL

Model Number: ARCG304-S

## EUROPEAN LEDGE ARGENTINE BBQ ISLAND GRILL

Model Number: ARISG304-S

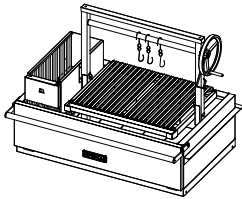
## 77" INFINITY ARGENTINE XL CHARCOAL & WOOD GRILL

Model Number: ARCG304-XL-S

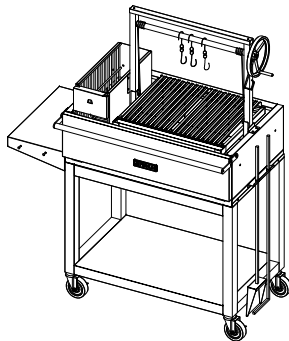
US Customer Assistance (spare/replacement parts): 1-877-419-2598 or Email:

[support@1800acs.com](mailto:support@1800acs.com) / [contact@zhprokan.com](mailto:contact@zhprokan.com)

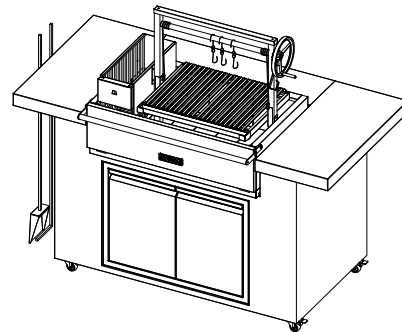
Canada: (888) 848-1663 / [contactca@zhprokan.com](mailto:contactca@zhprokan.com)



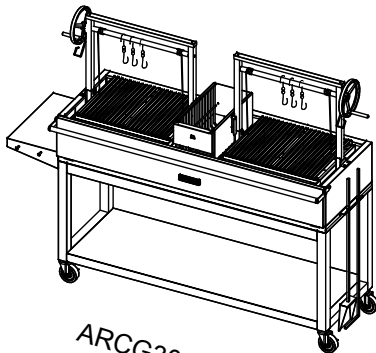
ARCG304-BI-S



ARCG304-S



ARISG304-S



ARCG304-XL-S

THIS ASSEMBLY MANUAL CONTAINS IMPORTANT SAFETY INFORMATION. PLEASE READ AND KEEP FOR FUTURE REFERENCE.

|   |                |  |
|---|----------------|--|
|   | <b>WARNING</b> |  |
| <b>Cancer and Reproductive Harm</b><br><a href="http://www.P65Warnings.ca.gov">www.P65Warnings.ca.gov</a> |                |  |

Manual #PK000722025CE- Date: 2026/01

# Table of Contents

|   |              |
|---|--------------|
| <b>Quality Statement.....</b>             | <b>3</b>     |
| <b>Important Safety Information .....</b> | <b>4-6</b>   |
| <b>Full System Features.....</b>          | <b>7</b>     |
| <b>Product Information .....</b>          | <b>8-9</b>   |
| <b>Components .....</b>                   | <b>10</b>    |
| <b>Tools.....</b>                         | <b>11</b>    |
| <b>Assembly Instructions .....</b>        | <b>12-31</b> |
| <b>Part Diagrams and Lists .....</b>      | <b>32-39</b> |
| <b>Warranty Information .....</b>         | <b>40</b>    |

### Important Safety Information

- Please read all instructions carefully before assembling this product.
- Where applicable, and for your safety, assembly by an adult is strongly recommended.
- Use only vendor-supplied hardware to assemble this item. Using unauthorized hardware could jeopardize the structural integrity of the item.
- Hardware may loosen overtime. Periodically check that all connections are tight.

### Before Assembly

- Remove all parts and hardware from the box. Place all items on a carpeted or scratch-free work surface, as this will avoid damaging parts during assembly.
- The shipping box can provide an ideal work surface if none is available.
- Use the components and hardware lists below to identify, inventory and separate each of the hardware and components included.
- To avoid accidentally discarding small components or hardware, do not dispose of any packaging or contents of the shipping carton until assembly is complete.
- **DO NOT USE** power tools unless it is explicitly identified in this manual as required for use during assembly. Power tools can damage the fasteners, hardware and/or components.
- Do not fully tighten all fasteners / screws until all parts are in place. Failure to follow these instructions may cause the fasteners / screws to misalign during assembly.

### Care & Use

- Use a soft, clean cloth that will not scratch the surface when cleaning.

## Important Safety Information



### **WARNING: FOR YOUR SAFETY**

**DO NOT** store or use gasoline or other flammable vapors and liquids in the vicinity of this or any other appliance.

**DO NOT** store an LP cylinder that is not connected for use in the vicinity of this or any other appliance.

**DO NOT** obstruct the flow of combustion and ventilation air to the unit.

**DO NOT** place combustibles on the undershelf. Do not stand on the undershelf as it could result in injury or irreparable damage.

**DO NOT** leave your unit unattended while in operation.

**DO NOT** use under the influence of alcohol or drugs.

**DO NOT** use this unit until you have read and understood all of the information in this manual.

**WARNING: Damage caused by a failure to follow the warnings and safety instructions provided in this manual is not covered under warranty.**

**WARNING:** Certain surfaces of your grill can get hot enough to cause severe burns. Never leave the appliance unattended when in use to prevent unintentional contact.

**WARNING:** Children should never be left alone or unattended in an area where a grill is located. Place your grill well away from areas where children play. Do not store items that may interest children in or around the appliance, in the cart, or in the masonry enclosure.

**IMPORTANT:** Improper use or installation of the appliance is dangerous. The grill produces intense heat and therefore the risk of accidents or potential injuries is increased. Carefully follow all instructions, including the following:

- To reduce the risk of fire, burns or other injury, read this manual thoroughly. Begin by ensuring proper installation and servicing. Do not repair or replace any part of the grill yourself unless it is specifically recommended in the manual.
- Always have an ABC Fire Extinguisher accessible — never attempt to extinguish a grease fire with water or other liquids.
- Do not operate the grill under an unprotected combustible construction. Use only in a well-ventilated area. The unit is for outdoor use only.
- Do not obstruct any of the openings on the grill or otherwise obstruct the flow of combustion and ventilation air.
- Do not build the grill into any combustible structure that is closer than 12 inches (30.5 cm) below the body of the grill. Maintain at least 36 inches (91.4 cm) above the grill body from the sides and back of the grill from any combustible surface or structure.

- Keep all electrical cords away from the hot surfaces of the appliance.
- Ensure proper installation and servicing by following all instructions in this manual and any other instructions or markings provided with this product.
- Do not heat unopened food containers on the appliance. The buildup of pressure resulting from the heat may cause the container to burst.
- Never lean on any part of the grill.
- Never move the appliance when hot. When in use, portions of the grill are hot enough to cause severe burns.
- Always use dry potholders or gloves on hot surfaces or cooking tools: moist or damp potholders or gloves may cause steam burns. Never use a towel or bulky cloth in place of potholders. Do not let potholders touch hot portions of the grill surfaces or allow them to get near the open flame.
- Never grill without the grease tray in place. Always ensure the grease tray is in correct position.
- The grill will retain heat after use, especially the cooking grates. Use caution when coming in contact with the unit immediately after use.
- Be sure the unit is cool before using any aerosol cleaner on it or near it. The chemical used for aerosol propellant could ignite in the presence of heat. Never use aerosol cleaner on the cooking surfaces.
- Do not use any cleaner, including water, on a hot grill.
- Do not burn manufactured logs, driftwood, trash, leaves, paper, cardboard, plywood, painted or stained or pressure treated wood. Avoid using softwoods such as pine or cedar that can throw sparks.
- Do not use near or under overhanging trees or shrubs.
- Do not use in windy conditions.
- Do not leave the fire unattended.
- Allow 24 hours after last use before attempting to empty the ash bin and put on the grill cover.

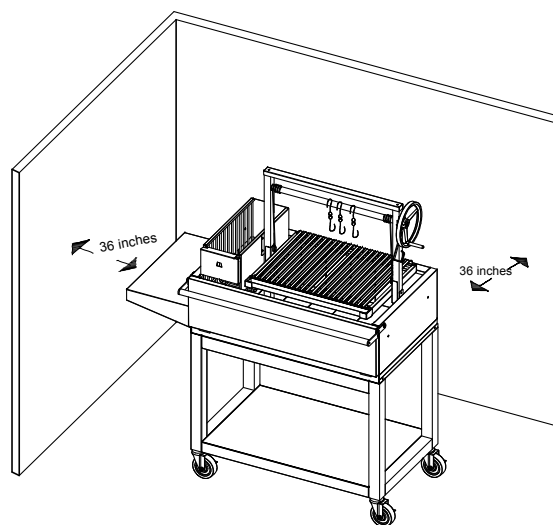
## Before You Cook- Positioning Your Argentinian Grill

### CHOOSING A LOCATION

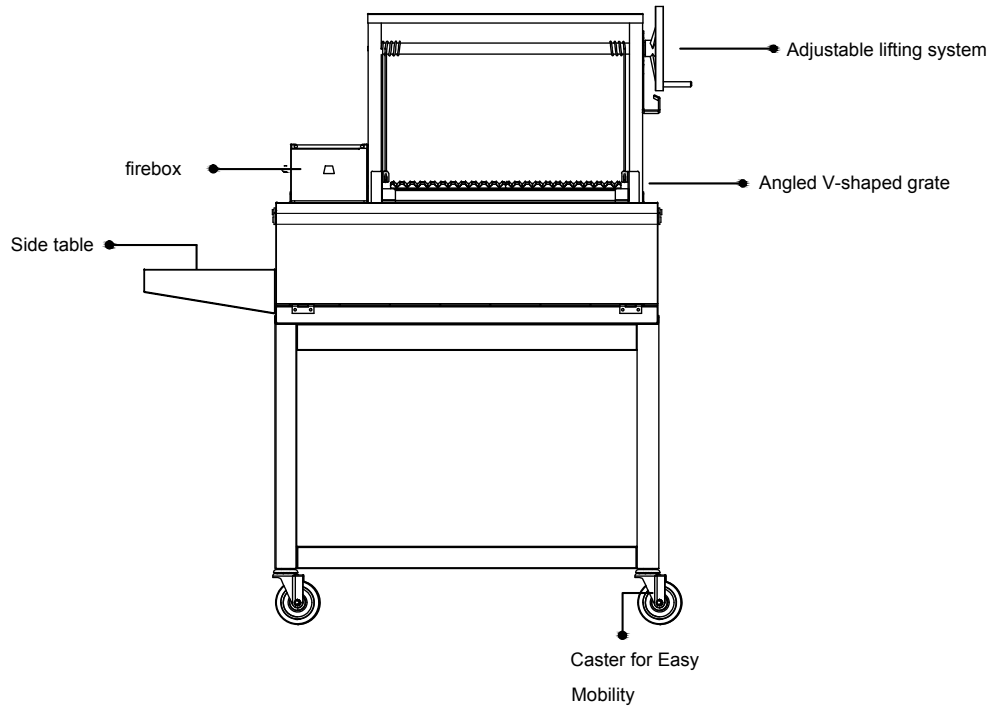
Important considerations for all grill placements include exposure to wind, proximity to foot traffic or areas where people congregate.

- DO NOT place the grill in a location that is likely to be exposed to a strong wind. A strong enough wind might blow hot embers towards combustible materials or structures.
- DO NOT place the grill where it is likely to be bumped into or inadvertently touched by passersby.
- DO NOT place the grill on a surface that is unable to safely support the weight of the unit as it may topple or tip over.
- DO NOT place the grill on any surface that would allow it to change position easily or inadvertently.
- When in use, if applicable, always have the casters in the locked position.
- NEVER locate the grill in a building, breezeway, shed or other such enclosed areas.
- DO NOT place the built-in grill on a combustible surface.
- The grill is not intended to be installed in or on a boat or recreational vehicle.
- For ease of use and safe operation, it is recommended the surface on which the built-in grill sits be at least 36 inches (91.4 cm) high (counter-height) and not more than 42 inches (106.7 cm) high (bar-height).

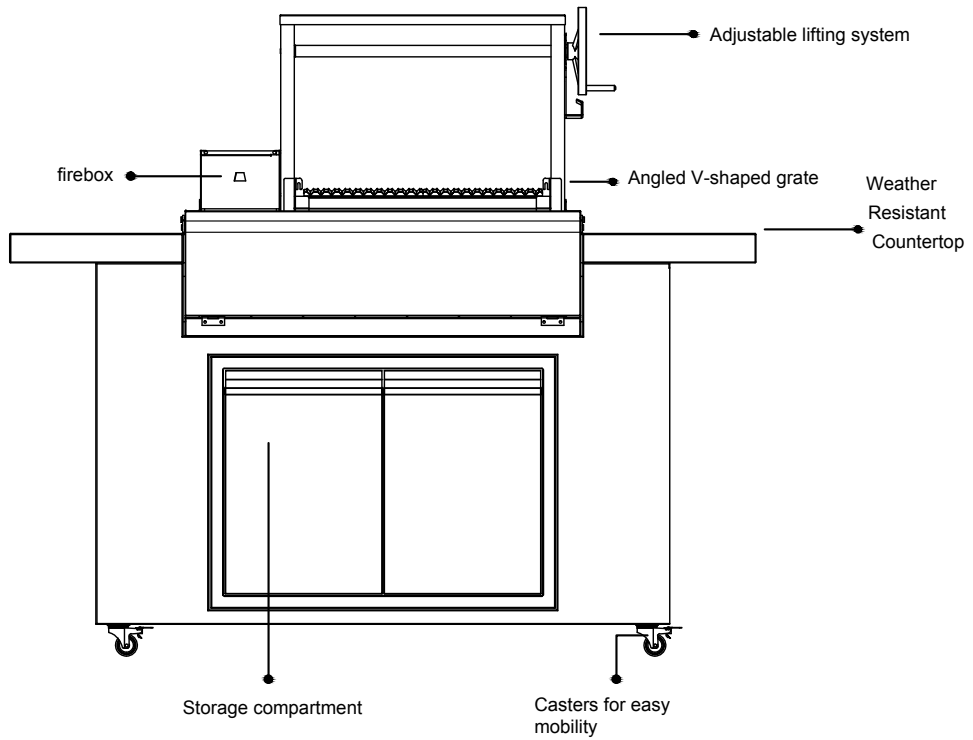
**IMPORTANT:** • Do not build the grill into any combustible structure that is closer than 12 inches (30.5 cm) below the body of the grill. Maintain at least 36 inches (91.4 cm) above the grill body from the sides and back of the grill from any combustible surface or structure.



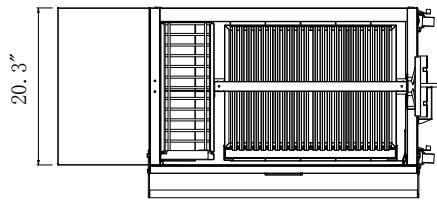
## Full System Features-ARCG304-S



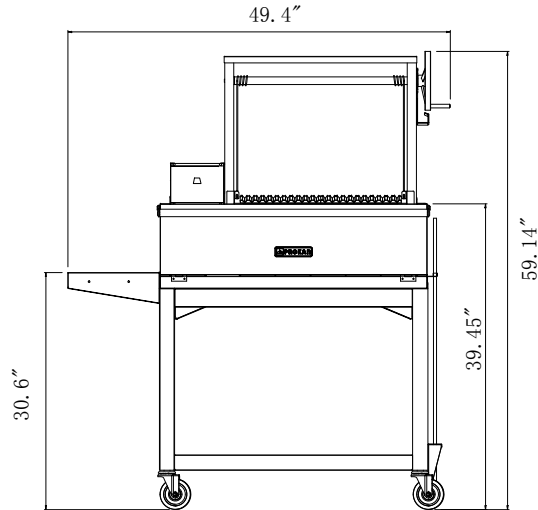
## Full System Features-ARISG304-S



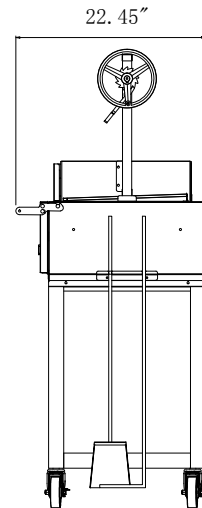
# Product Information



Top View

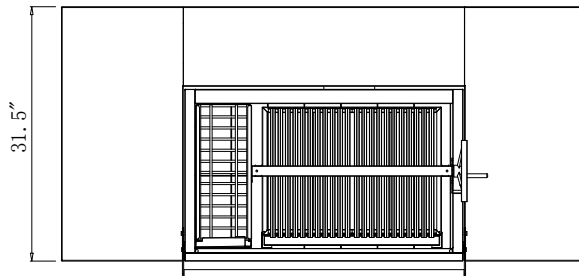


Front View

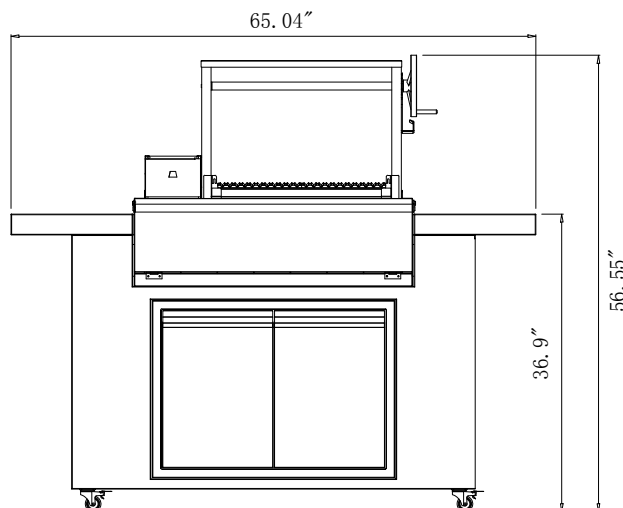


Right Side View

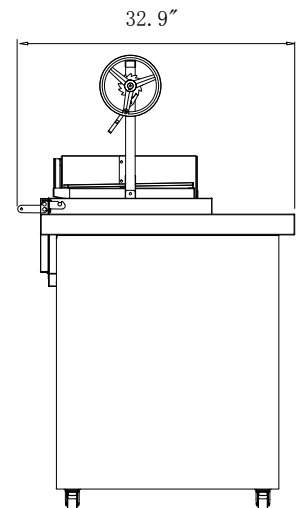
ARCG304-S



Top View



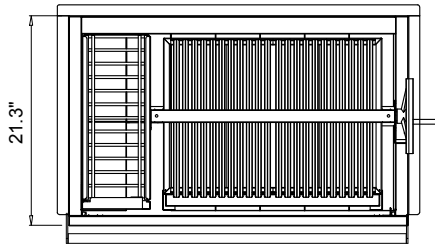
Front View



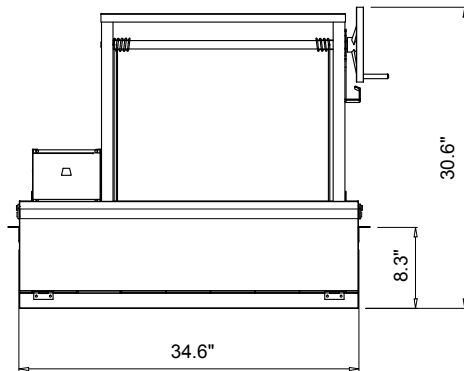
Right Side View

ARISG304-S

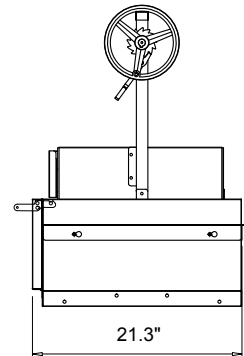
# Product Information



Top View

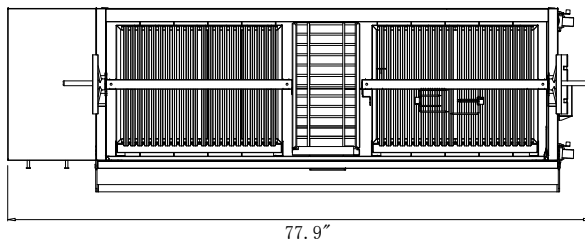


Front View

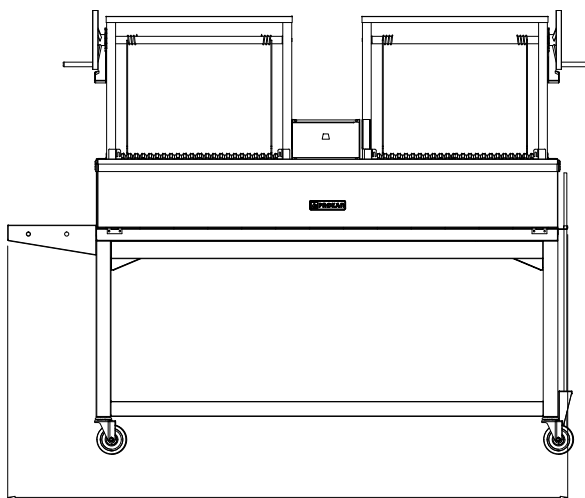


Right Side View

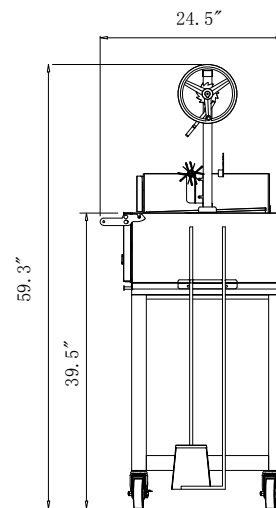
ARCG304-S (Built-in model)



Top View



Front View

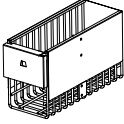


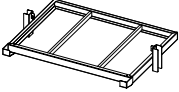

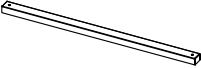


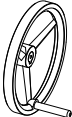
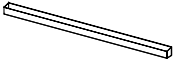
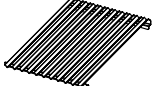

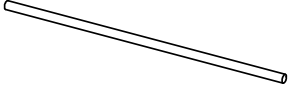




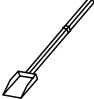



Right Side View

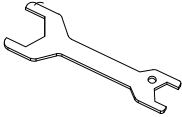
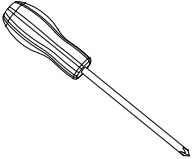
ARCG304-XL-S

# Components

## Components

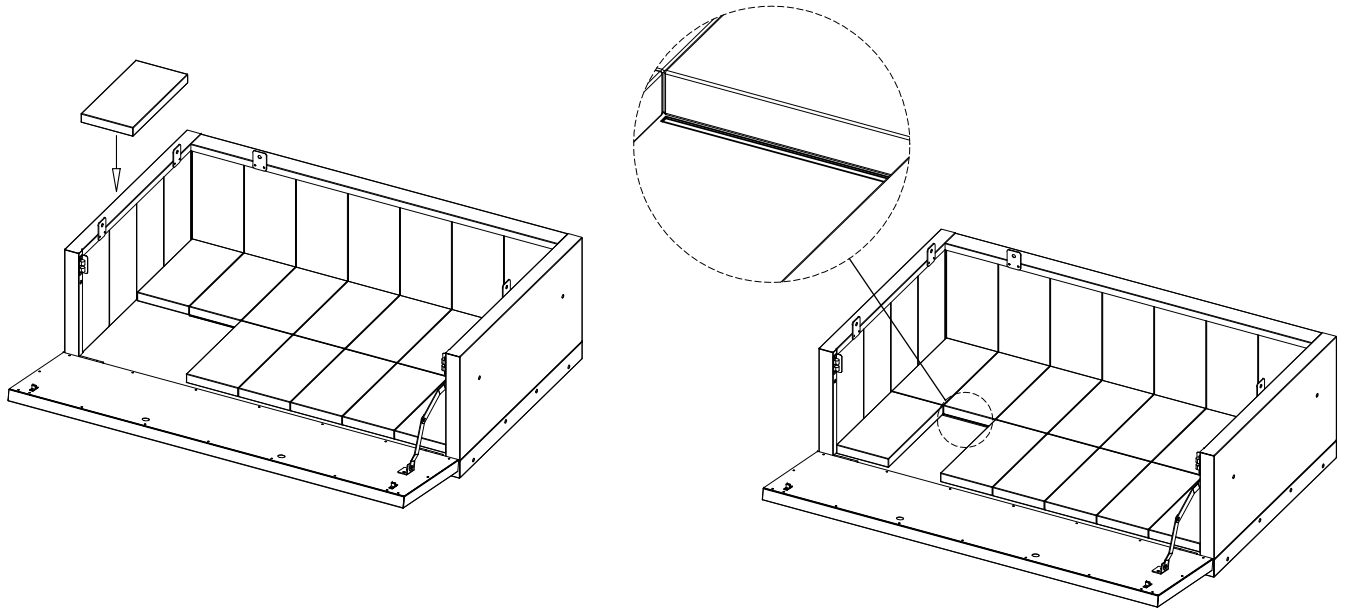
|  |   |   |
|--|---|---|
| <p>Firebox<br/>No.S0243-48<br/>Qty 1</p>          | <p>Upright assembly, Left<br/>No.S0243-41Z1<br/>Qty 1</p>  | <p>Upright assembly, right<br/>S0243-41Z2<br/>Qty 1</p>  |
| <p>Grate Tray<br/>No.S0243-22Z1<br/>Qty 1</p>     | <p>Spindle<br/>No.S0243-39<br/>Qty 1</p>                   | <p>Top rail<br/>Part No. S0243-11<br/>Qty 1</p>          |
| <p>Sprocket<br/>No.S0243-30<br/>Qty 1</p>         | <p>Sprocket handle<br/>No. S0243-31<br/>Qty 1</p>          | <p>Wheel assembly<br/>No. S0243-47<br/>Qty 1</p>         |
| <p>Grease tray<br/>No.S0243-03<br/>Qty 1</p>    | <p>V-shaped grate<br/>No. S0243-17Z1<br/>Qty 2</p>       | <p>Tool hook<br/>No. S0172-45-SS304<br/>Qty 2</p>      |
| <p>Door handle<br/>No.S0243-78<br/>Qty 1</p>    | <p>Handle Locking Bracket<br/>S0243-79<br/>Qty 2</p>     | <p>S-hook<br/>No. S0243-61<br/>Qty 3</p>               |
| <p>Cleaning tool<br/>No.S0243-28<br/>Qty 1</p>  | <p>Poker<br/>No. S0243-32<br/>Qty 1</p>                  | <p>Shovel<br/>No. S0243-27Z1<br/>Qty 1</p>             |
| <p>Grill Cover<br/>No.KGC0021<br/>Qty 1</p>     |   |   |

# Tools

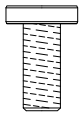
|   |   |  |
|---|---|--|
| Wrench  | Phillips Screwdriver (Not Included)   |  |
|  |  |  |

## ASSEMBLY ARCG304-S

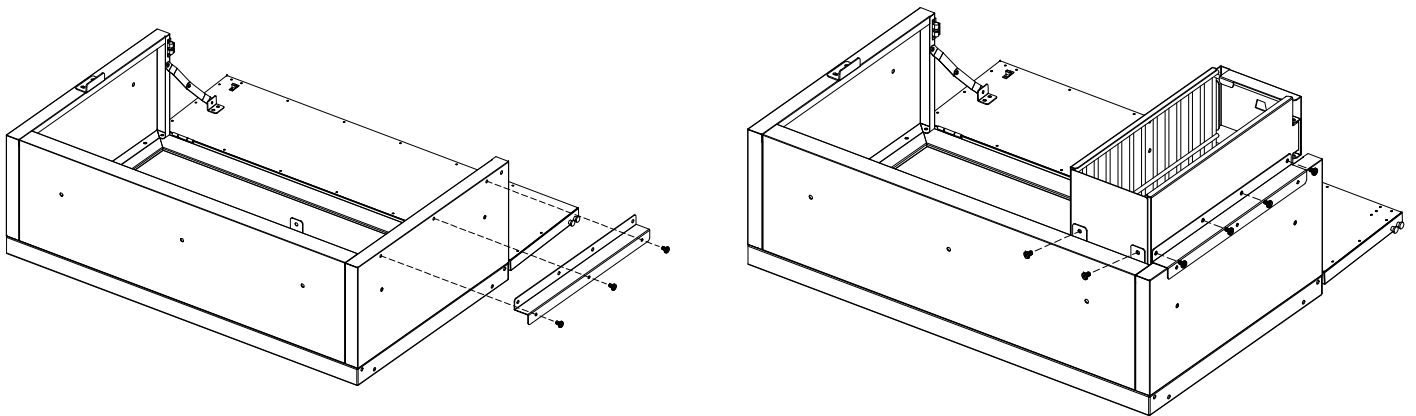
**Step 1:** Place all fire bricks onto the coal pan. Ensure bricks are oriented as shown. Evenly space all bricks.



**Step 2:** Attach the firebox onto the coal pan assembly.



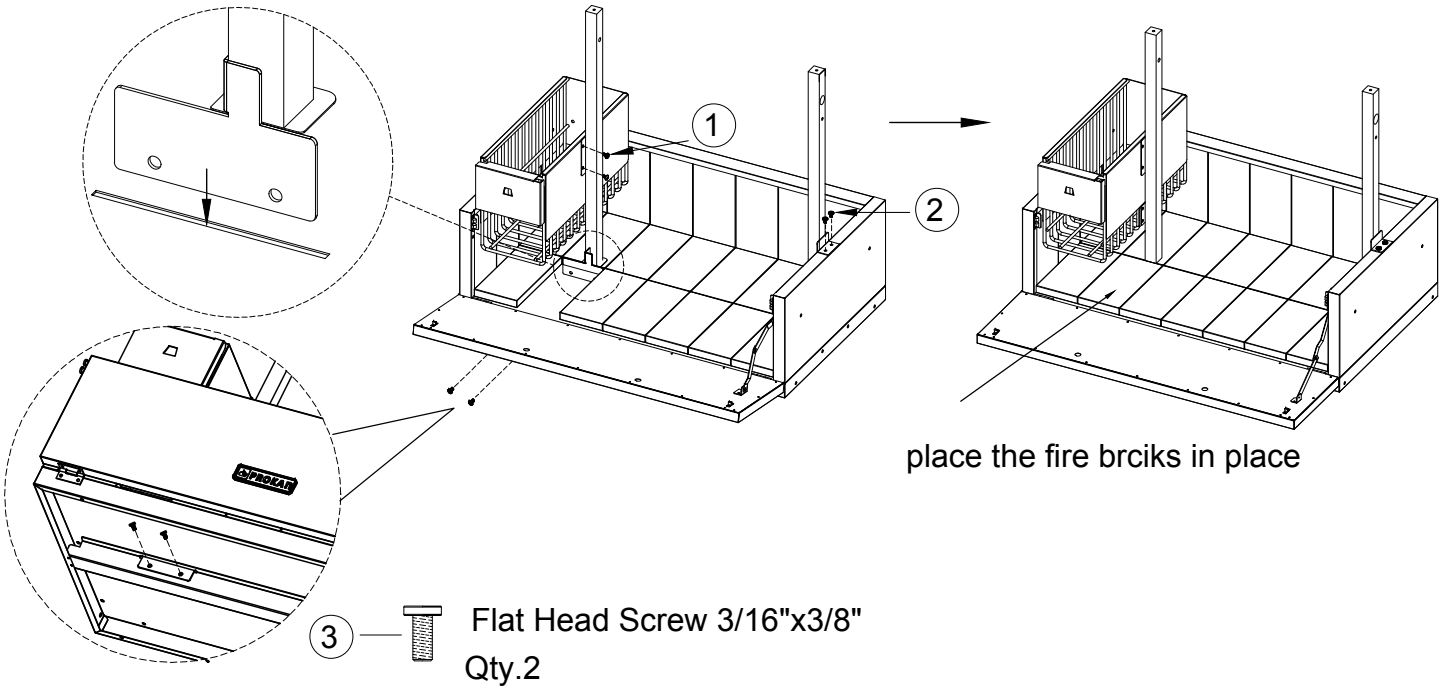
Flat Head Screw 1/4"x3/8"  
Qty.9



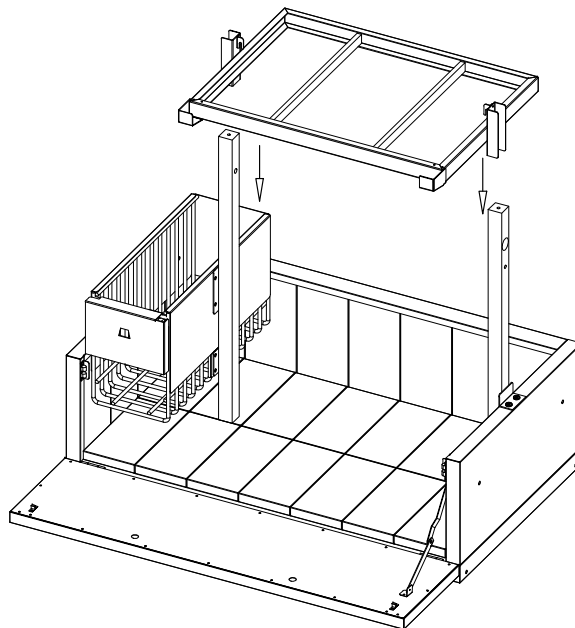
**Step 3:** Install the upright assembly as shown.

① — Flat Head Screw 1/4"x3/8"  
Qty.2

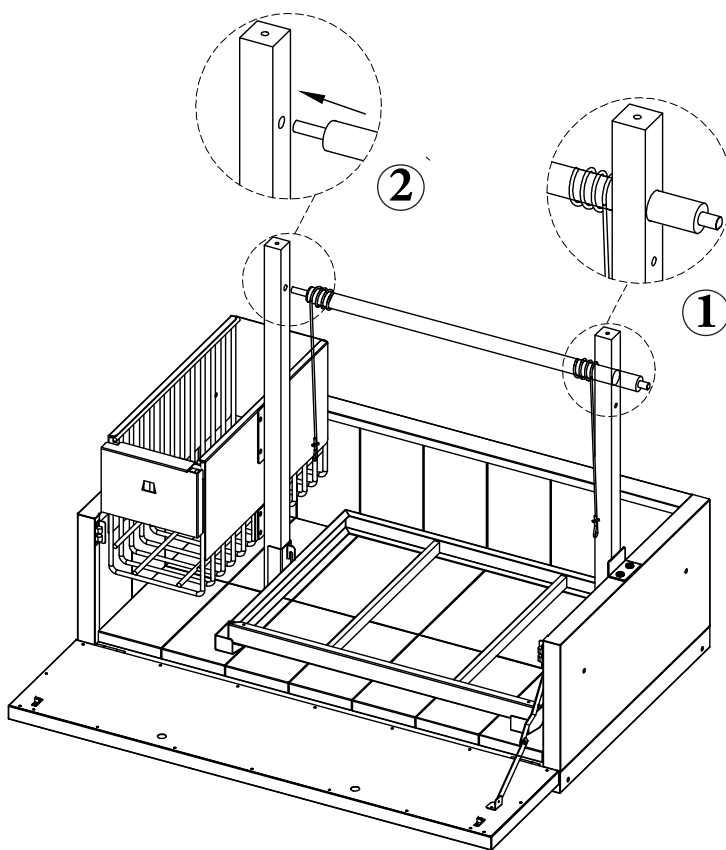
② — Flat Head Screw 3/16"x6MM  
Qty.2



**Step 4:** Slide the grate tray onto the upright assembly.



**Step 5:** Install spindle assembly as shown.



**Step 6:** Attach the spindle and top rail.

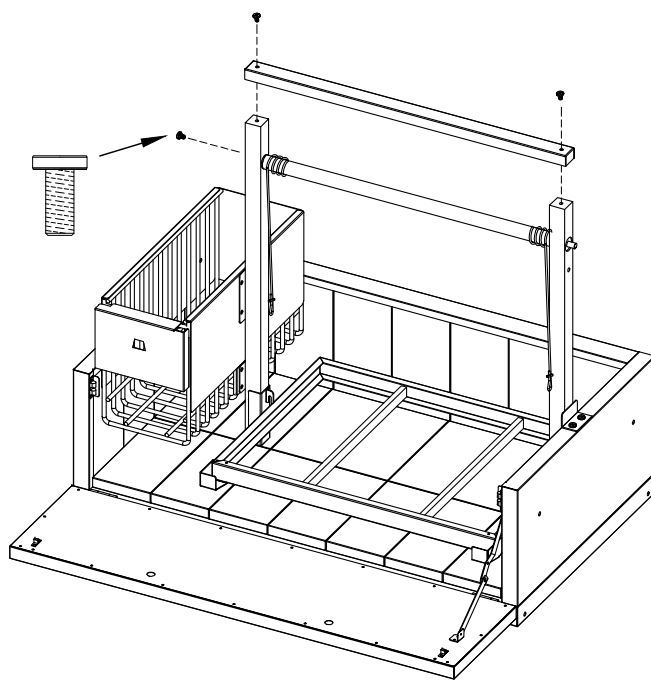


Flat Head Screw 3/16"x3/8"

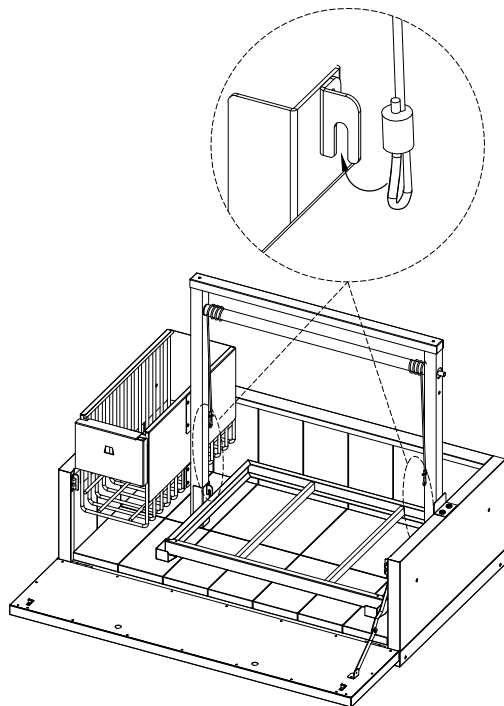
Qty.2

Flat Head Screw 1/4"x3/8"

Qty.1

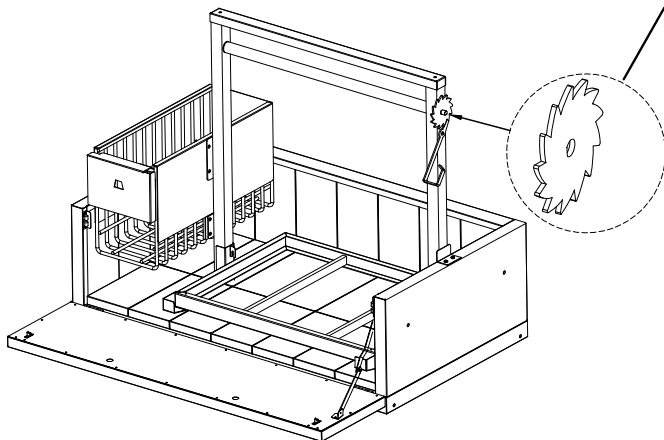


**Step 7:** Place the looped ends of the cables onto the bracket tabs as shown.



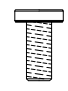
**Step 8:** Install the sprocket handle.

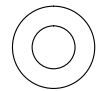
Please pay close attention to the orientation of the sprocket during installation. The sprocket must be positioned exactly as shown in the provided image.

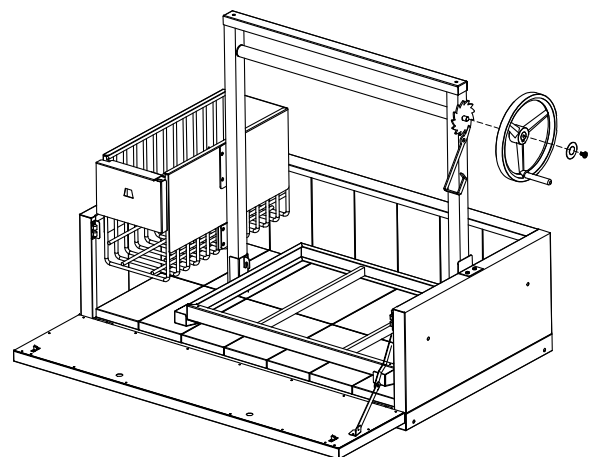


**Note:** Push sprocket handle out of the way of when sliding the sprocket onto the spindle.

**Step 9:** Install wheel assembly.

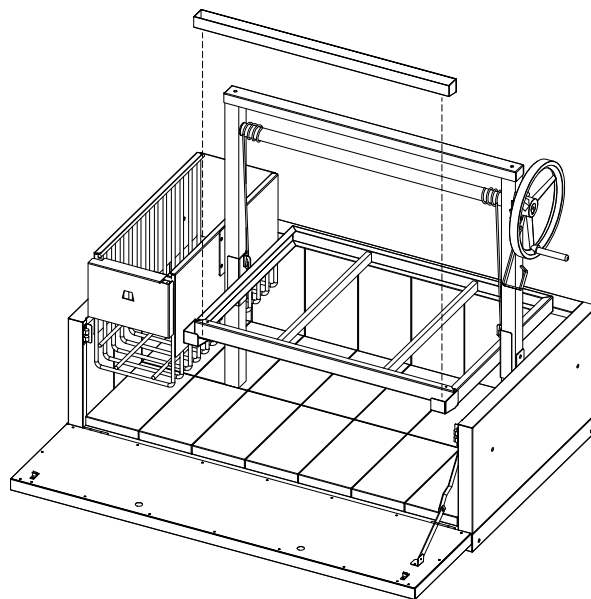
 Flat Head Screw 1/4"x3/8"  
Qty. 1

 Washer x 1/4"  
Qty. 1

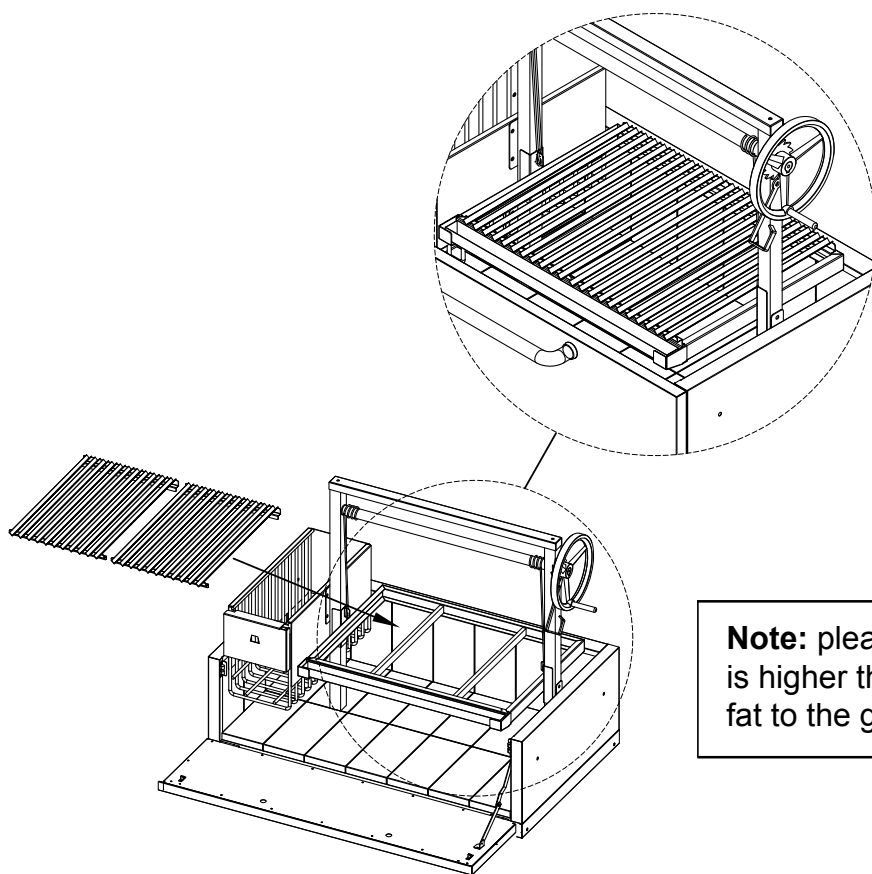


**Note:** Make sure the teeth of the sprocket are facing the correct direction as indicated.

**Step 10:** Place the grease tray .



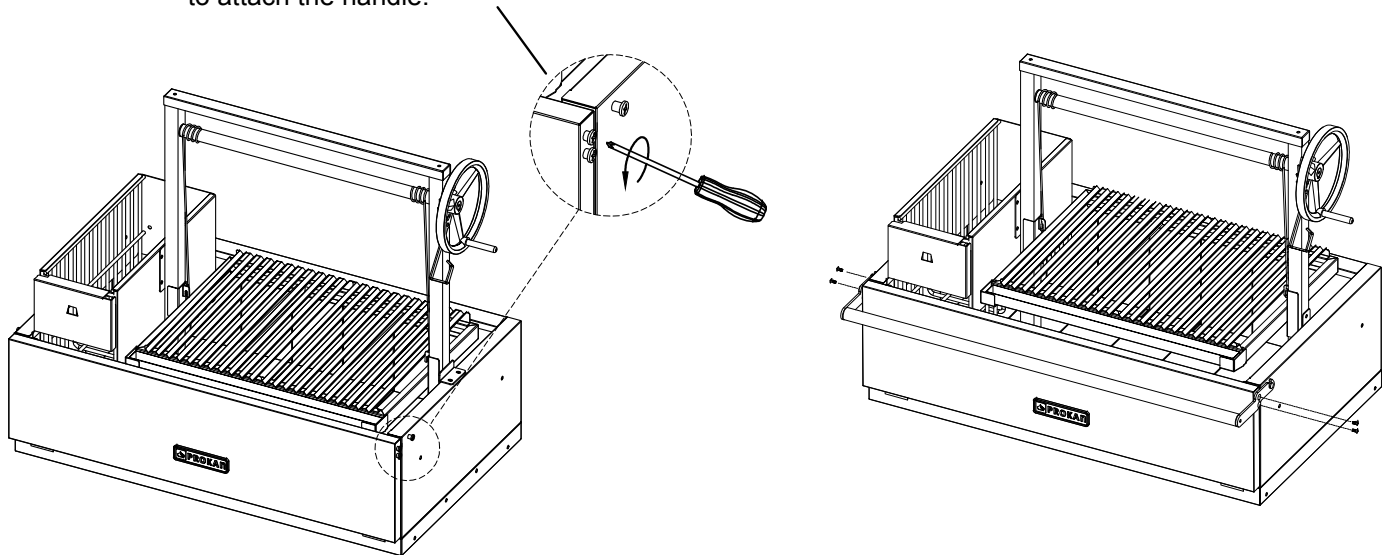
**Step 11:** Place grates into the grate tray.



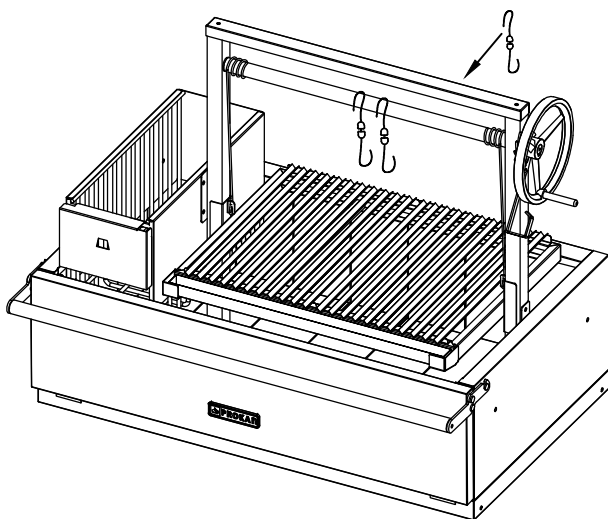
**Note:** please note that the rear side is higher than the front to channel the fat to the grease tray.

**Step 12:** Install the door handle.

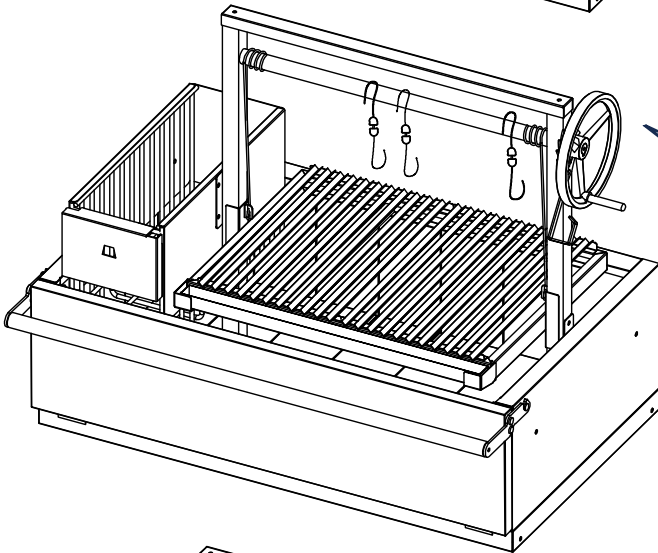
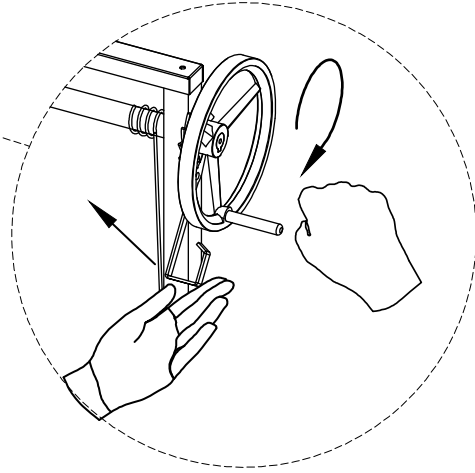
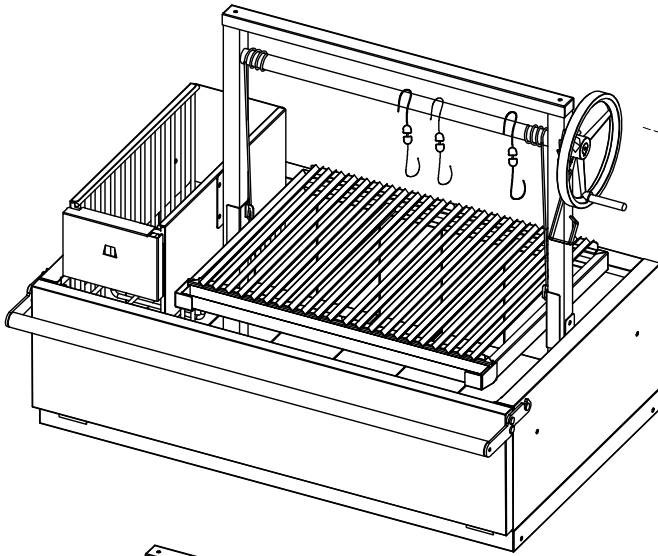
Loosen the pre-installed screws, and use them to attach the handle.



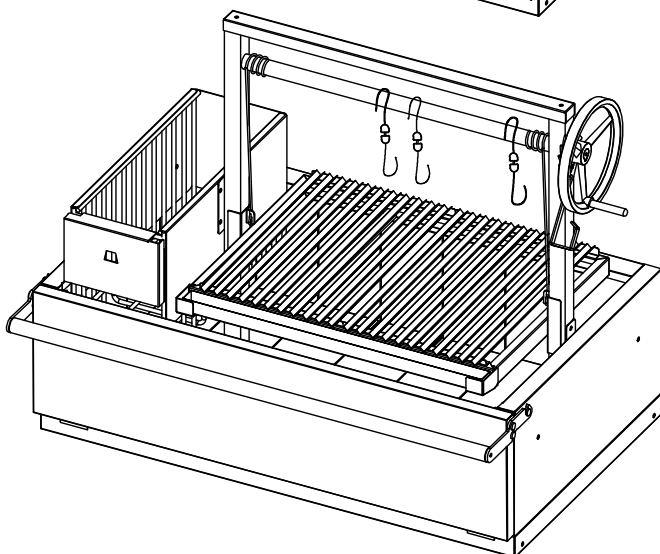
**Step 13:** Meat hooks .



**Step 14:** Lift the sprocket handle to release the handle to lower the cooking grate system.



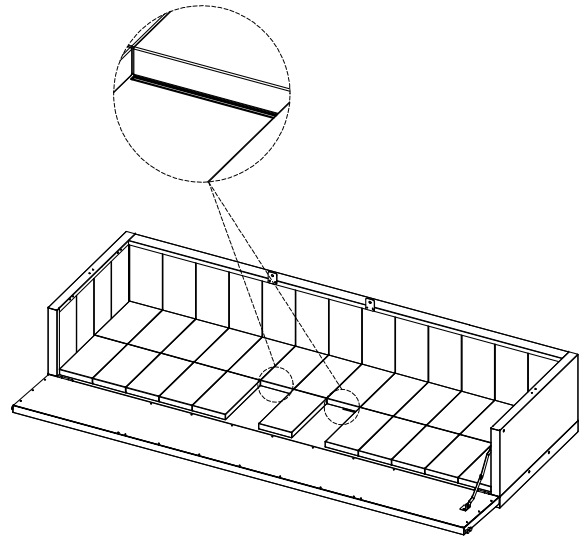
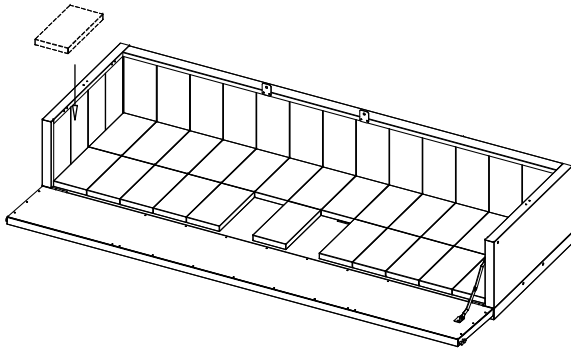
To raise the grilling surface, pull the wheel forward in a counterclockwise rotation to the desired height.



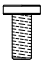
To lower the grilling surface, grasp the wheel firmly with one hand so that it cannot rotate freely. Release the brake mechanism with the other hand and slowly let the wheel rotate in a clockwise direction to the desired height.


# ASSEMBLY ARCG304-XL-S

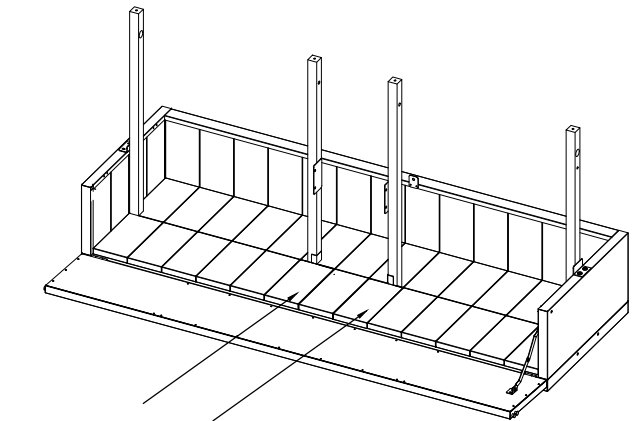
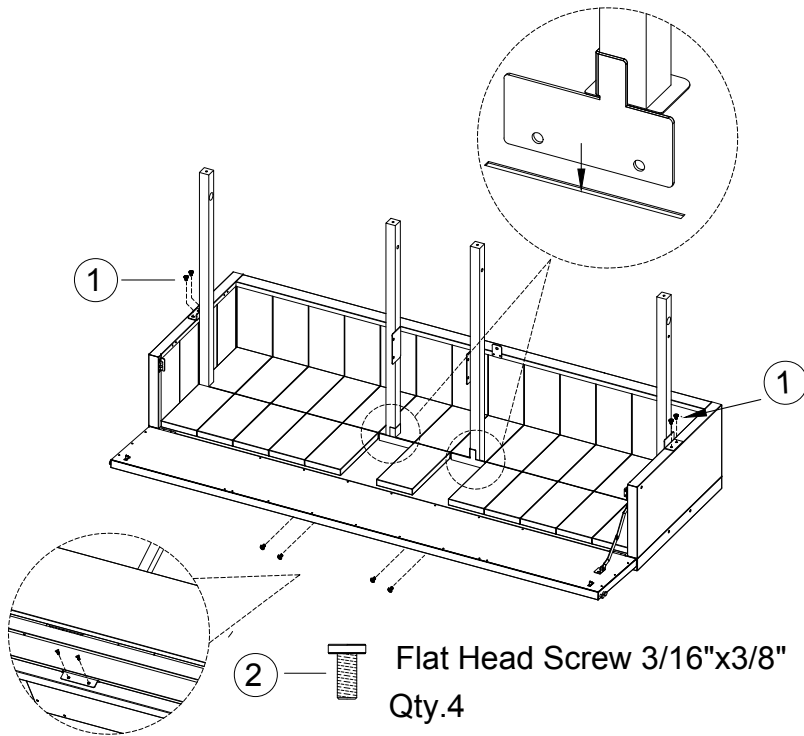
**Step 1:** Place all fire bricks onto the coal pan. Ensure bricks are oriented as shown. Evenly space all bricks.




**Step 2:** Install the upright assembly as shown.

① —  Flat Head Screw 3/16"x6MM  
Qty.4

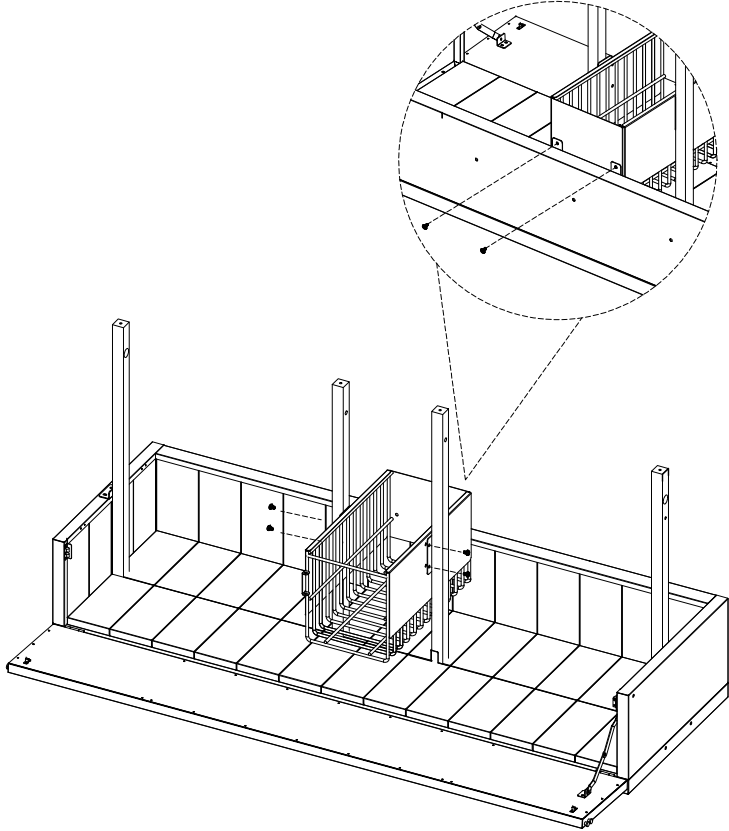
② —  Flat Head Screw 3/16"x3/8"  
Qty.4



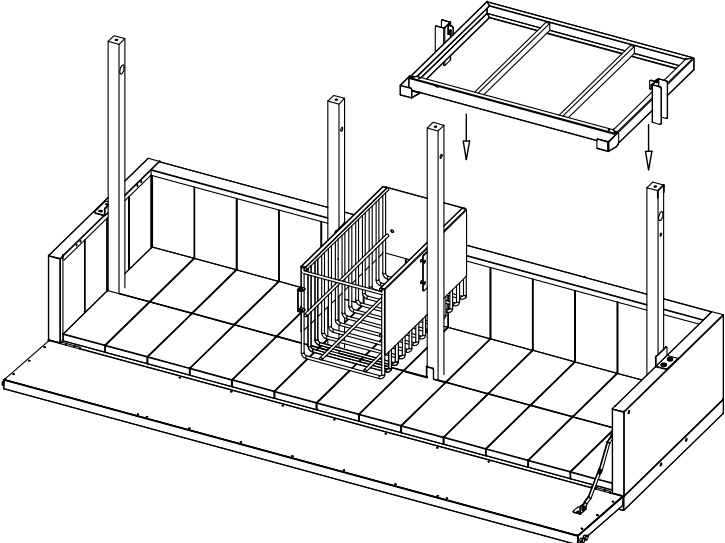
place the fire bricks in place

② —  Flat Head Screw 3/16"x3/8"  
Qty.4

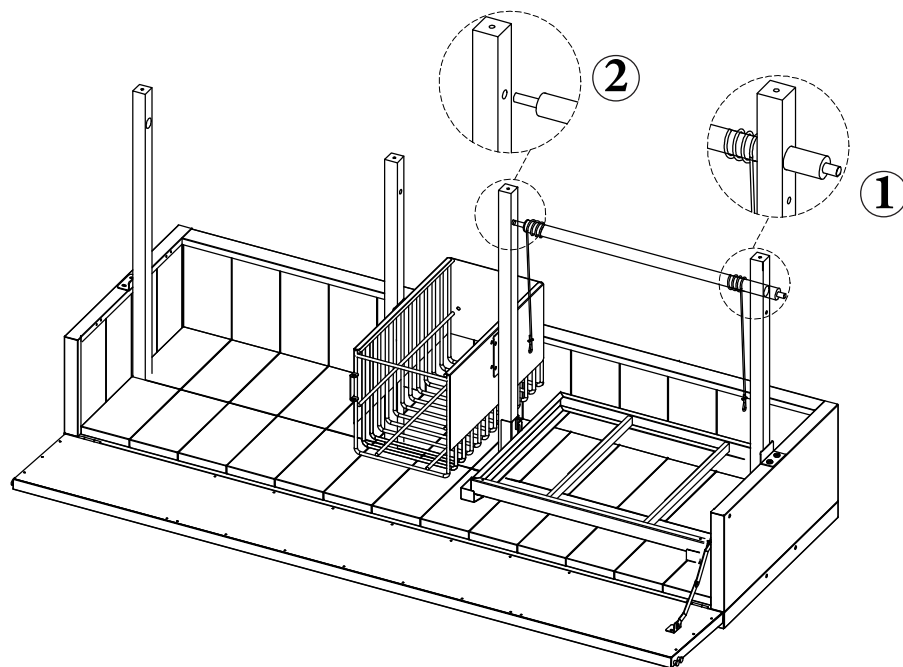
**Step 3:** Attach the firebox.



**Step 4:** Slide the grate tray onto the upright assembly.



**Step 5:** Install spindle assembly as shown.



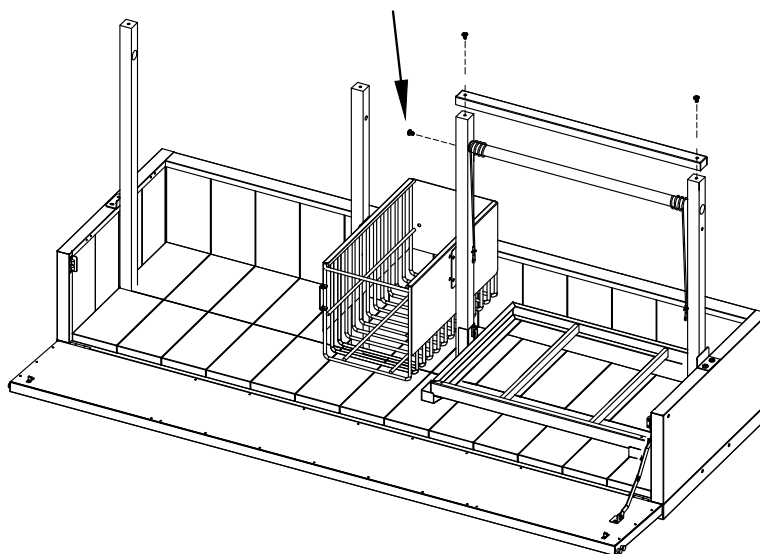
**Step 6:** Attach the spindle and top rail.



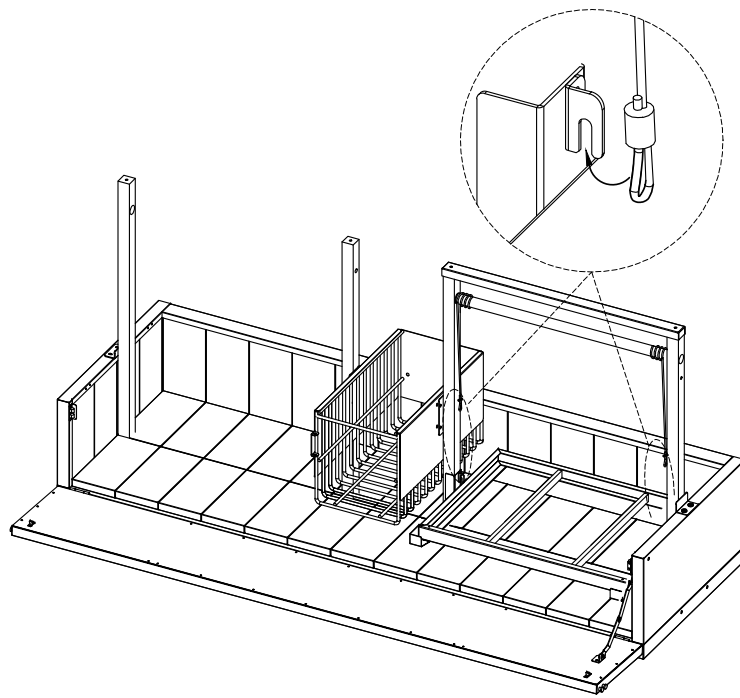
Flat Head Screw 3/16"x3/8"  
Qty.2



Flat Head Screw 1/4"x3/8"  
Qty.1



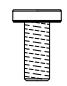

**Step 7:** Place the looped ends of the cables onto the bracket tabs as shown.

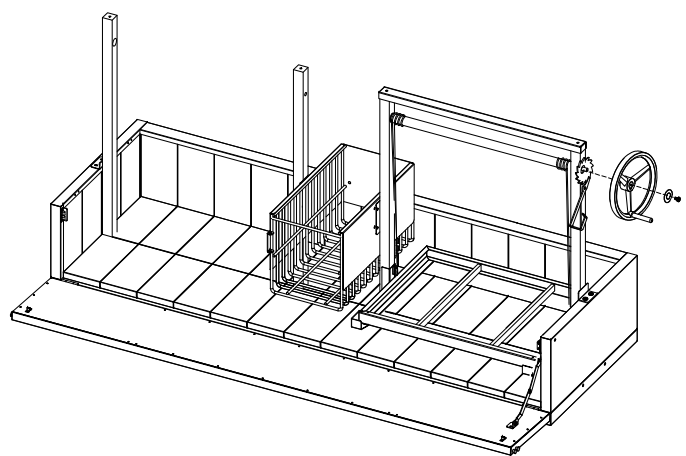
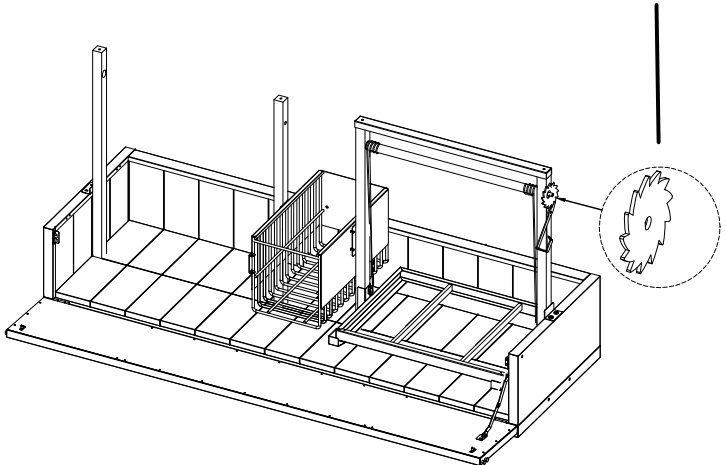


**Step 8:** Install the sprocket handle.

Please pay close attention to the orientation of the sprocket during installation. The sprocket must be positioned exactly as shown in the provided image.

**Step 9:** Install wheel assembly.

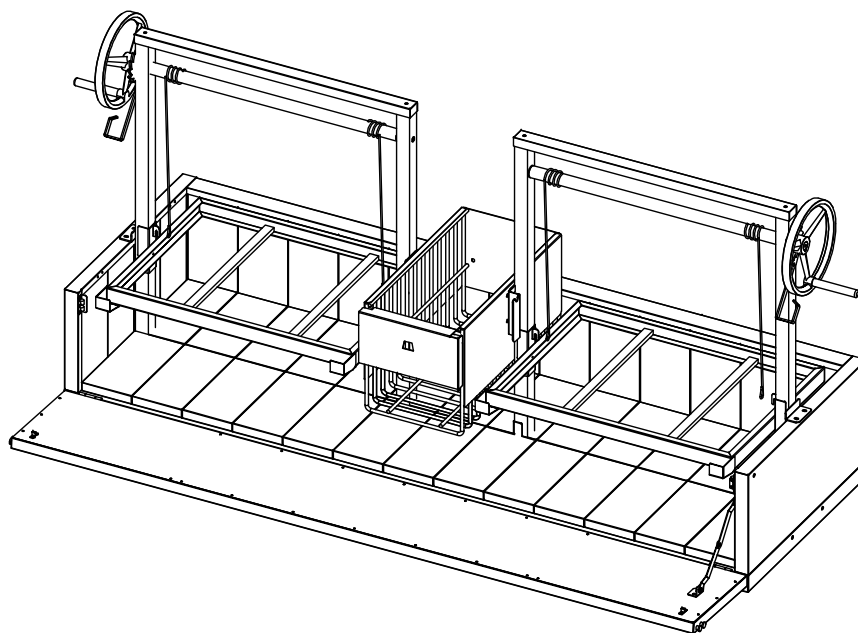
-  Flat Head Screw 1/4"x3/8"  
Qty. 1
-  Washer x 1/4"  
Qty. 1



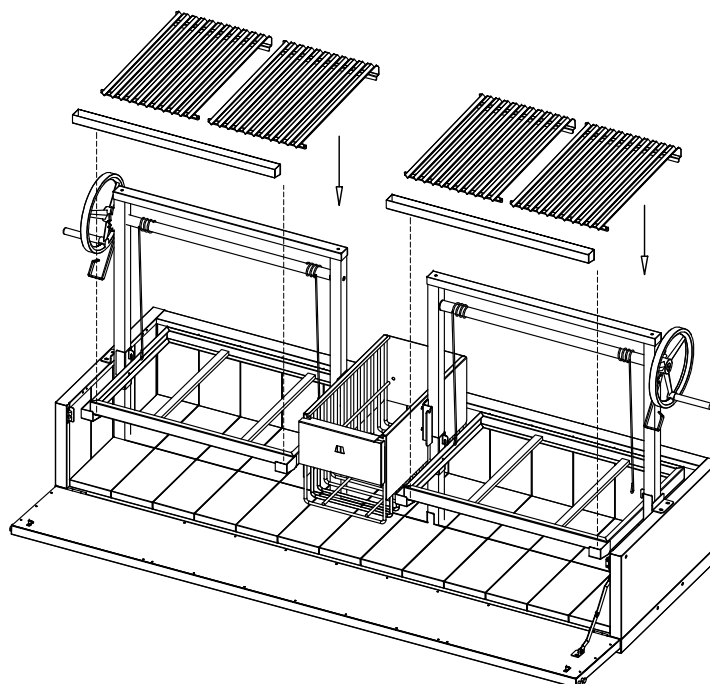
**Note:** Push sprocket handle out of the way of when sliding the sprocket onto the spindle.

**Note:** Make sure the teeth of the sprocket are facing the correct direction as indicated.

**Step 10:** Follow the same instructions for assembly.



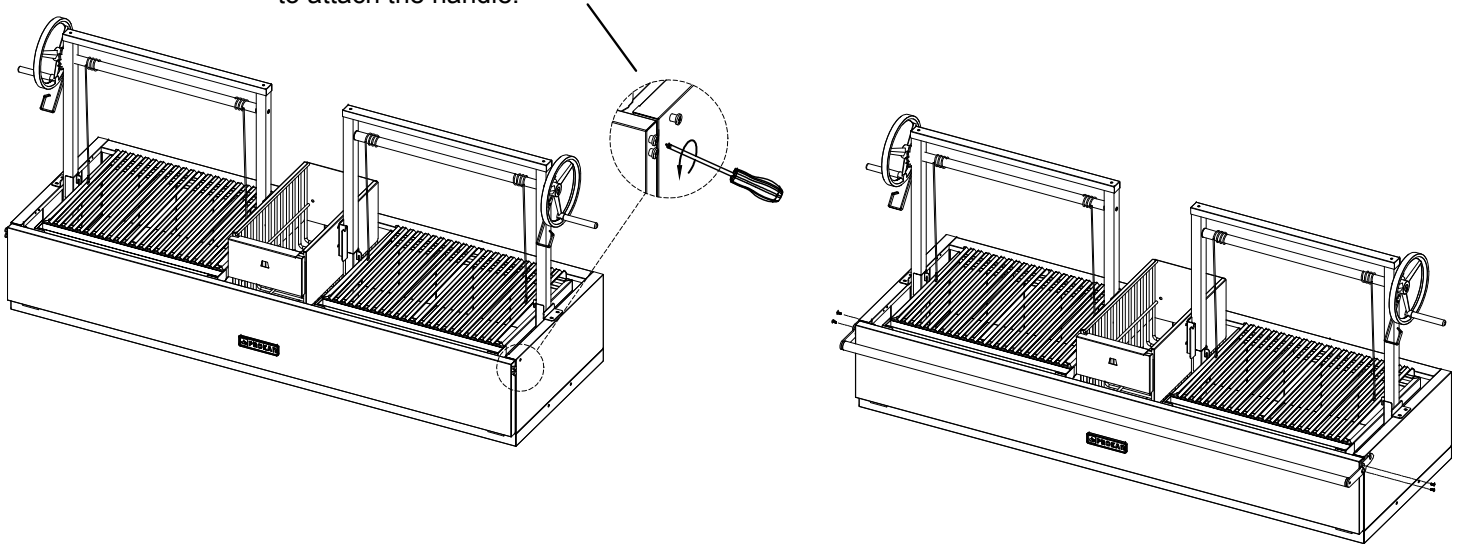
**Step 11:** Place grates into the grate tray.



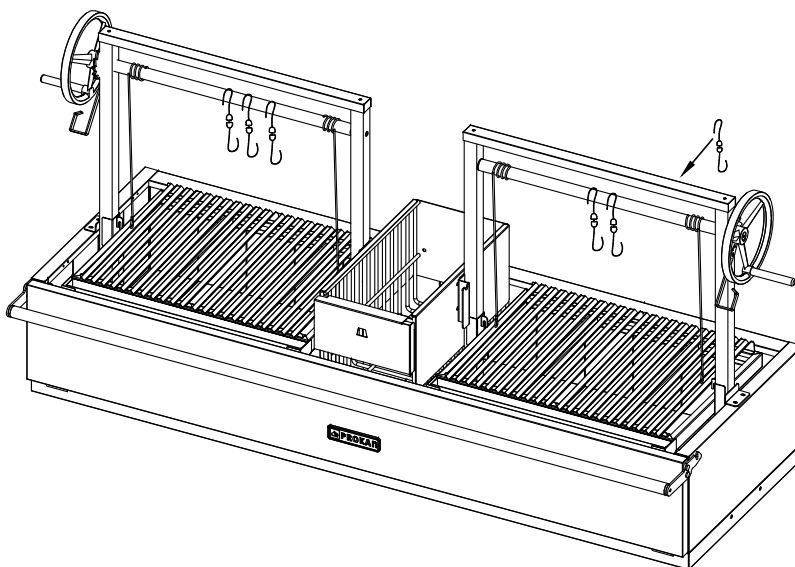
**Note:** please note that the rear side is higher than the front to channel the fat to the grease tray.

**Step 12:** Install the door handle.

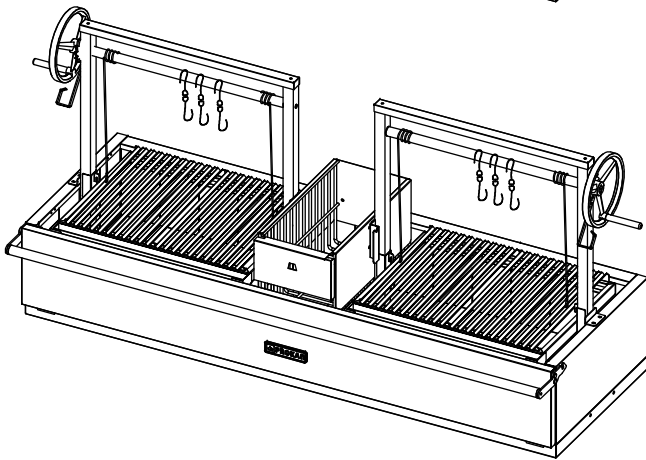
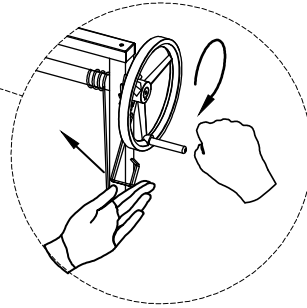
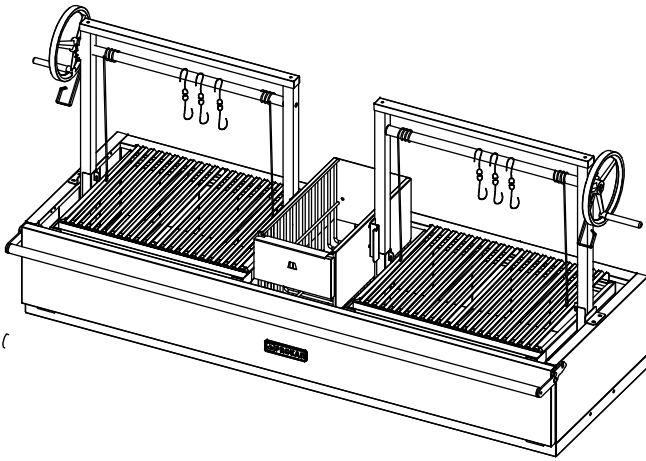
Loosen the pre-installed screws, and use them to attach the handle.



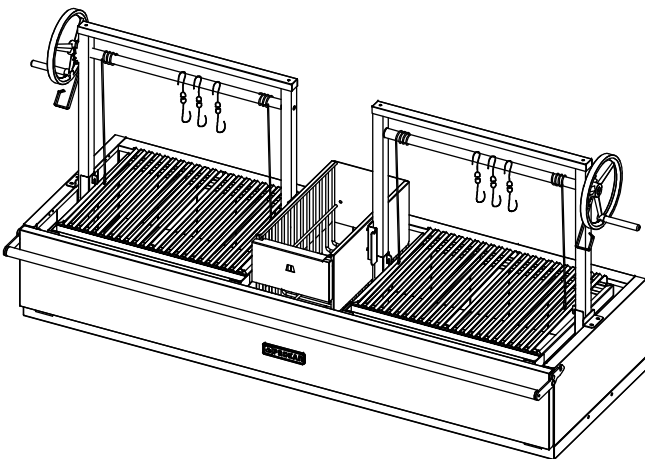
**Step 13:** Meat hooks .



**Step 14:** Lift the sprocket handle to release the handle to lower the cooking grate system.



To raise the grilling surface, pull the wheel forward in a counterclockwise rotation to the desired height.



To lower the grilling surface, grasp the wheel firmly with one hand so that it cannot rotate freely. Release the brake mechanism with the other hand and slowly let the wheel rotate in a clockwise direction to the desired height.

**Follow the same instructions to assemble the cart.**

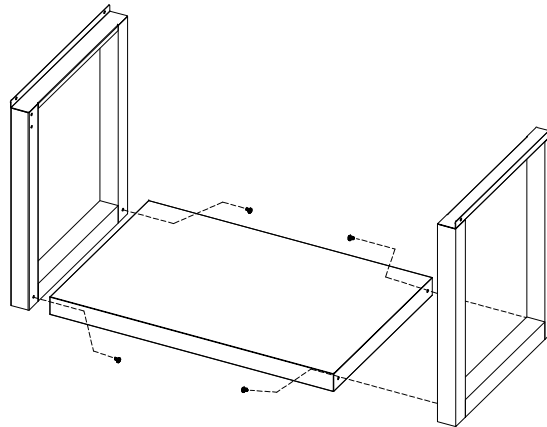
## Grill cart assembly

**Step 1:** Install the legs onto the bottom shelf.



Flat Head Screw 1/4"x3/8"

Qty.4

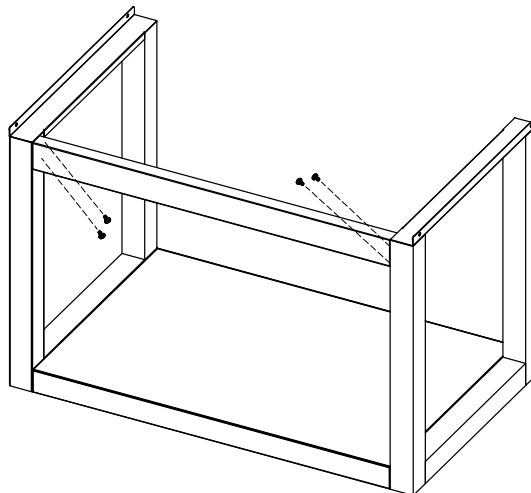


**Step 2:** Install the leg reinforced tube.

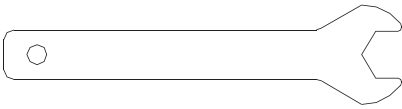


Flat Head Screw 1/4"x3/8"

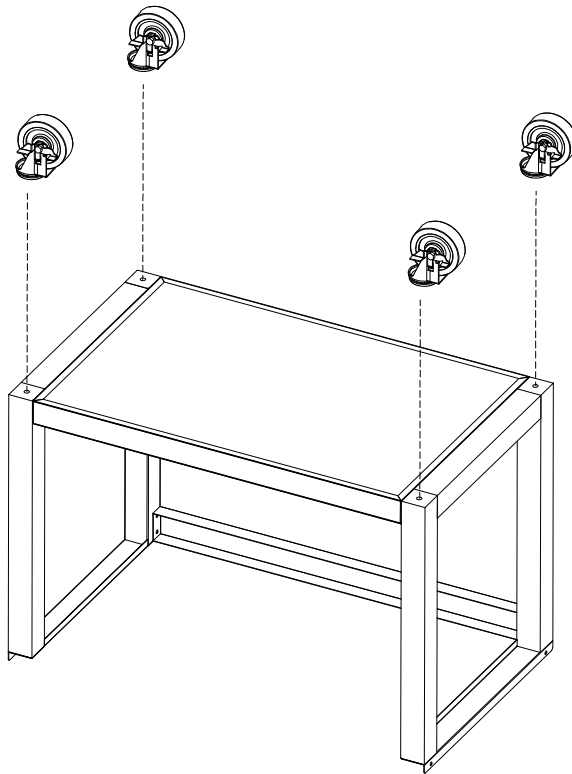
Qty.4



**Step 3:** Install the casters.



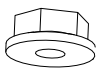
Spanner  
Qty.1



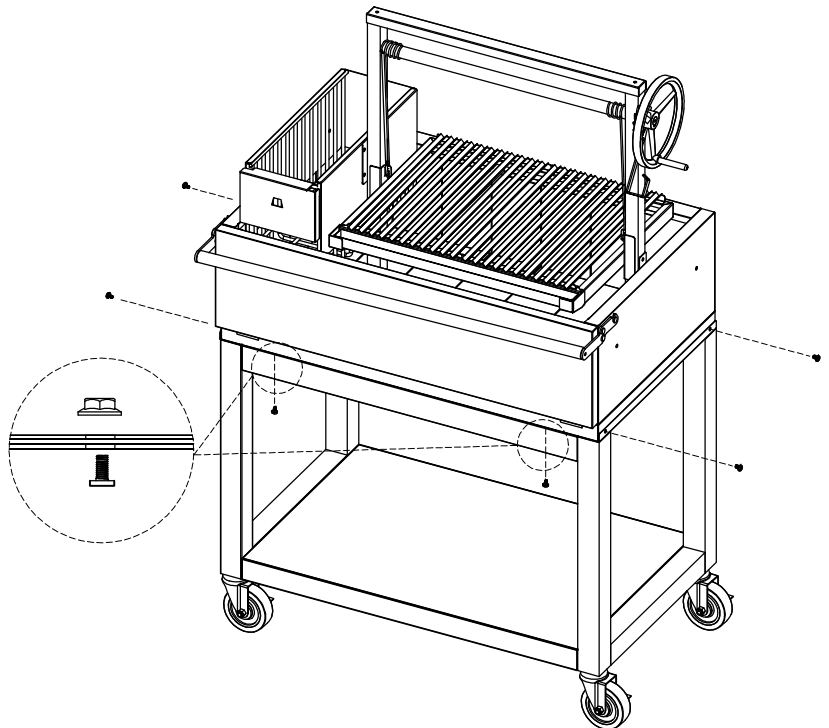
**Step 4:** Install the grill onto the cart assembly.



Flat Head Screw 3/16"x3/8"  
Qty.6



Flange Nut : 3/16"x  
Qty.2



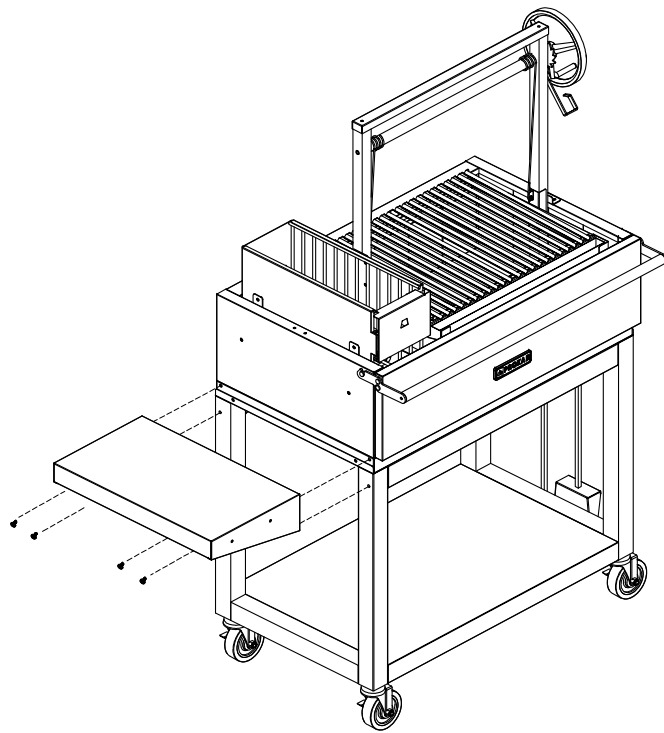
**Note:** you should obtain assistance from another person to lift the grill.

**Step 5:** Install the side shelf and tool hooks.

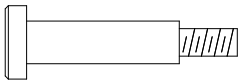


Flat Head Screw 3/16"x3/8"

Qty.4



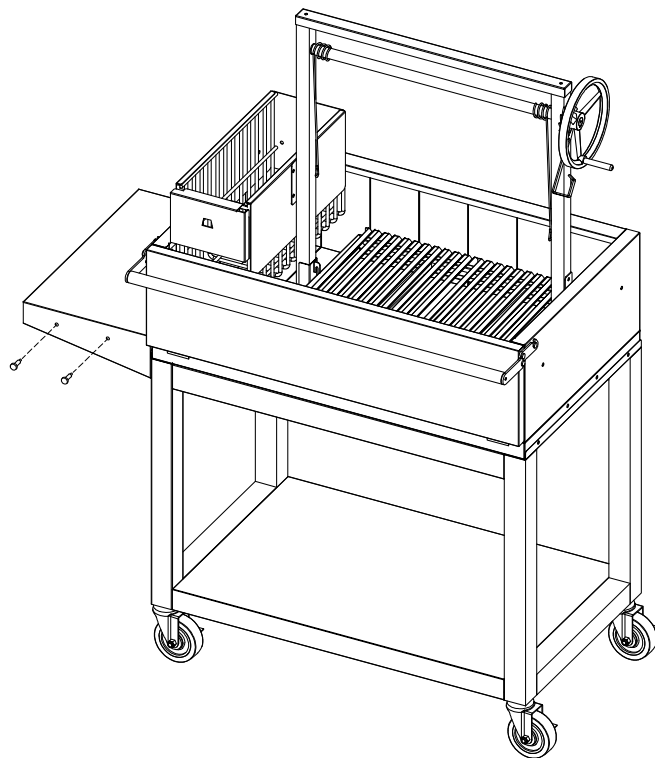
**Step 6:** Install tool hooks.



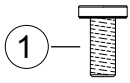
Hinge:  $\Phi 7 \times 25 + M6 \times 10$   
Qty.2



Flange Nut : M6  
Qty.2



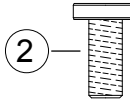
**Step 7: Install the reinforced leg braces. .**



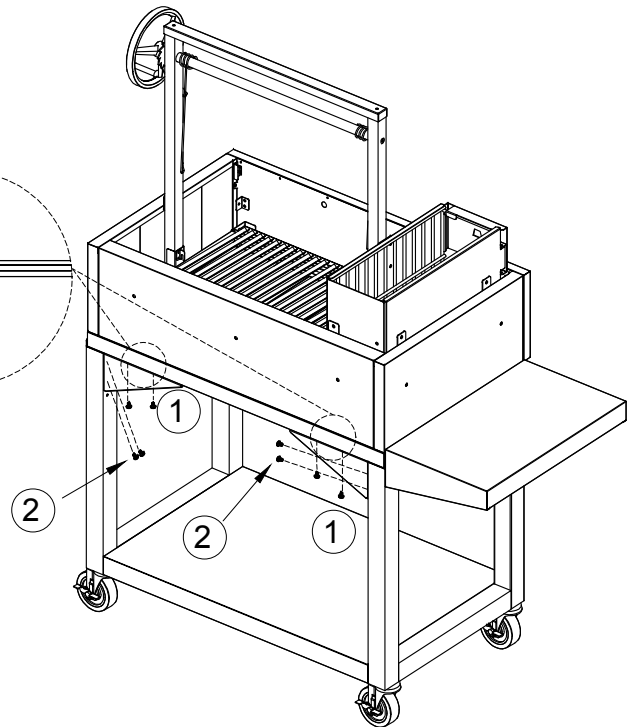
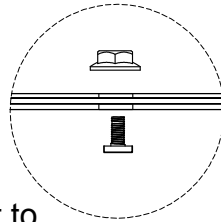
Flat Head Screw 3/16"x3/8"  
Qty.4



Flange Nut : 3/16"  
Qty.4



Flat Head Screw 1/4"x3/8"  
Qty.4

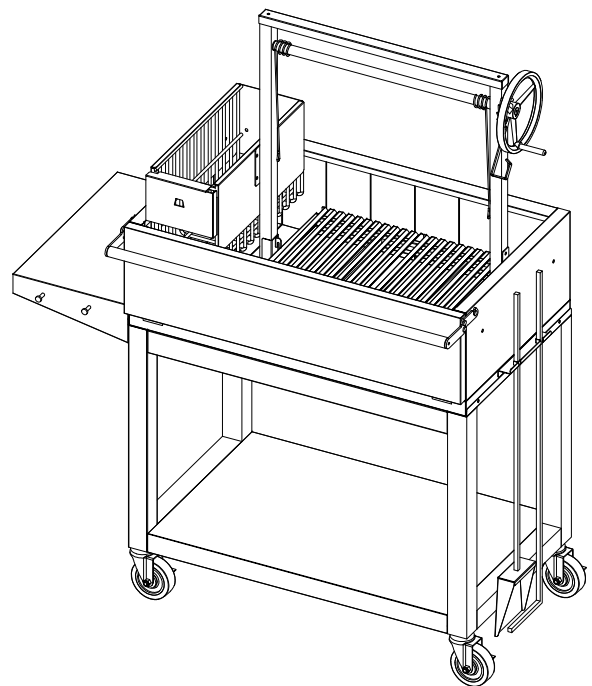
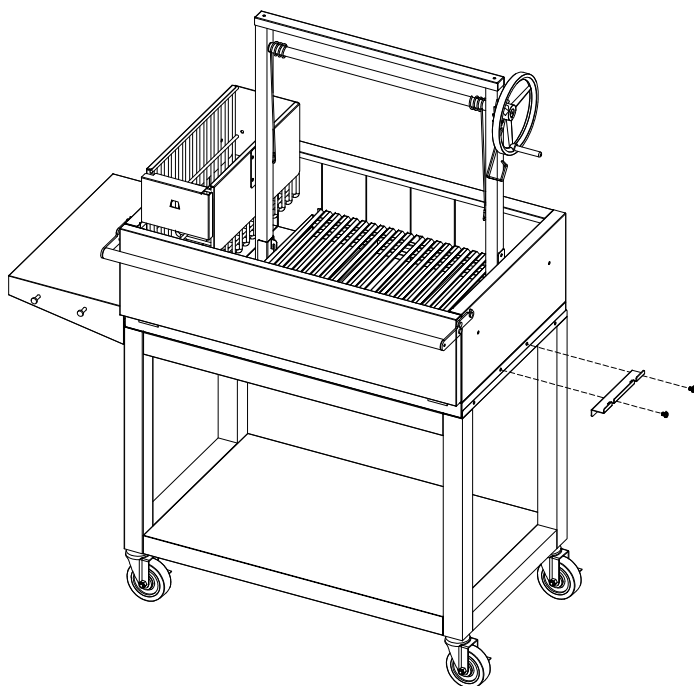


Begin by attaching the top screws first to secure the leg brace in place, then proceed to install the bottom two screws for full stability.

**Step 8: Install accessory holder.**

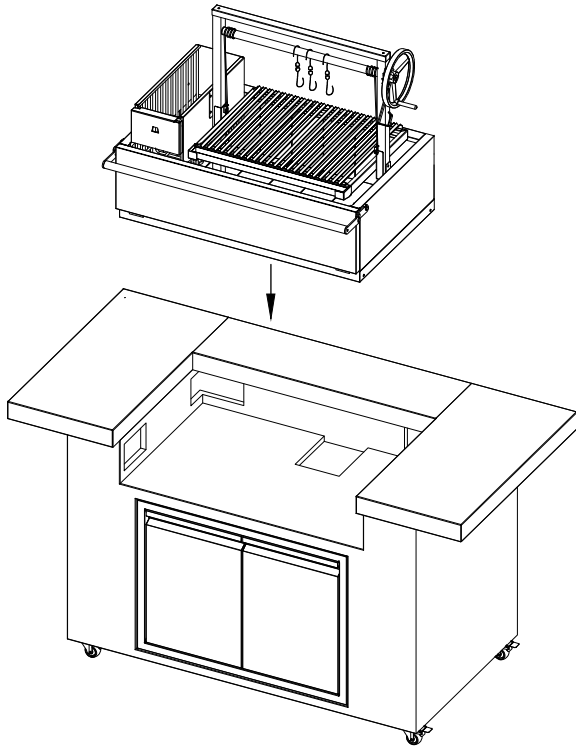


Flat Head Screw 3/16"x3/8"  
Qty.2

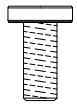


## ASSEMBLY ARISG304-S

**Step 1: Place the grill onto the grill cabinet.**

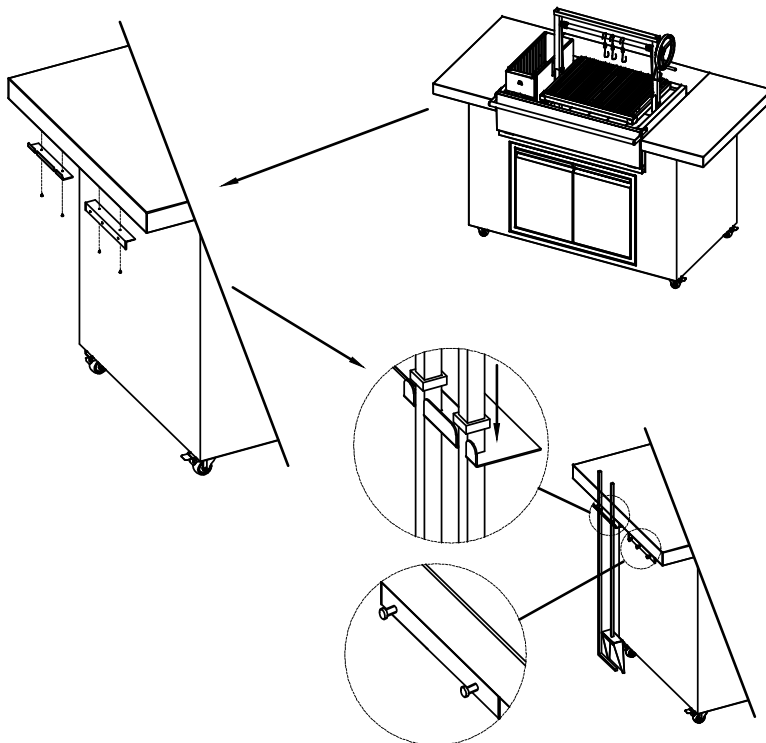


**Step 2: Install accessory holder.**



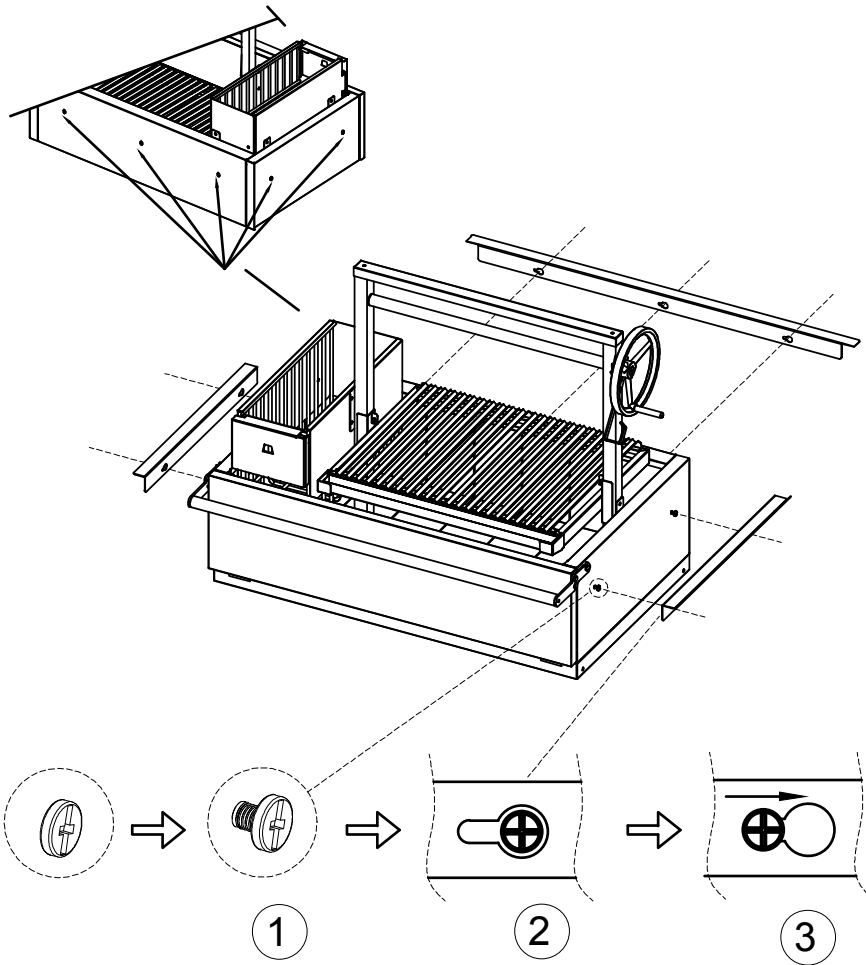
Flat Head Screw 1/4"x3/8"

Qty.4

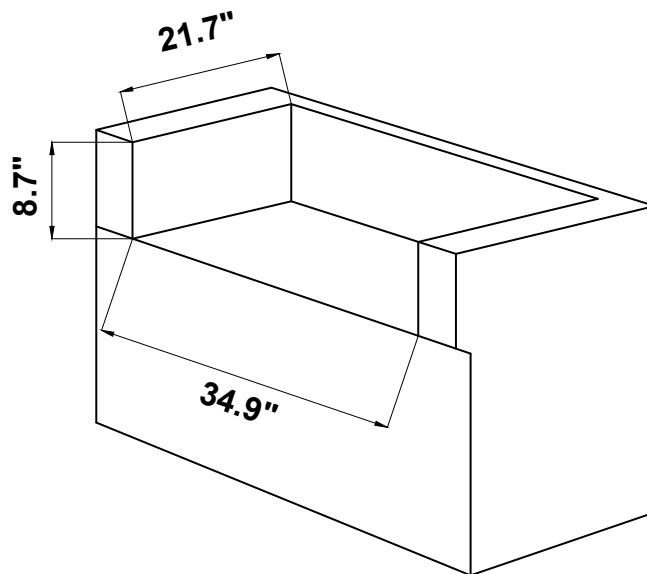


## Assembly ARCG304-BI-S (Built-in model)

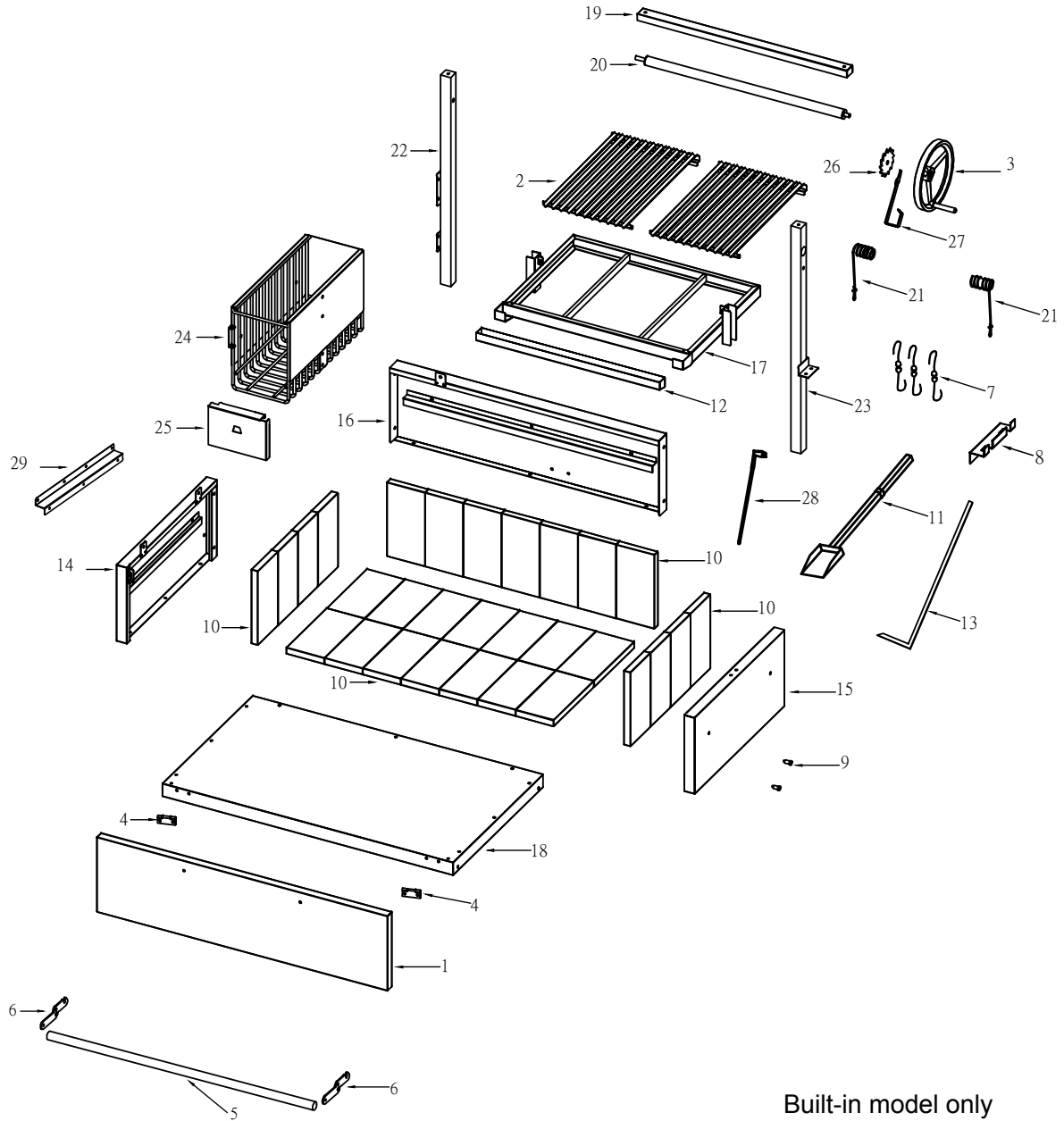
Step 1: Install the built-in brackets.



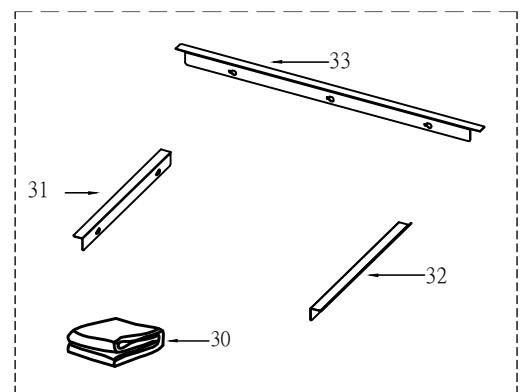
**Note:** Slightly loosen the screws on the grill head, slide the brackets into position, and then tighten the screws securely.



# Part Diagrams and Lists-ARCG304-BI-S



Built-in model only



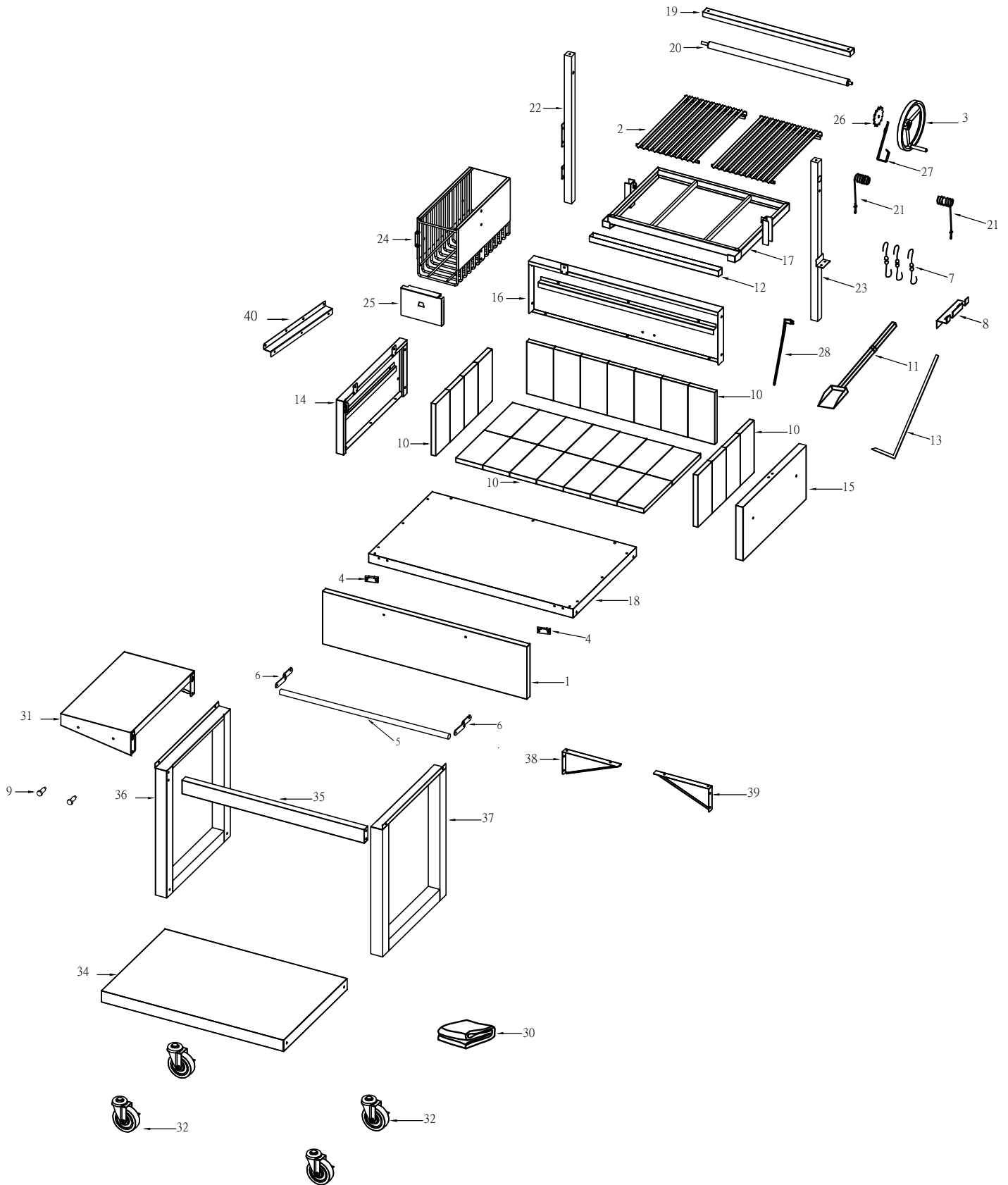
## Part Diagrams and Lists-ARCG304-BI-S

| KEY | DESCRIPTION             | PART#             | QTY |
|-----|-------------------------|-------------------|-----|
| 1   | Door                    | S0243-01Z1        | 1   |
| 2   | V-shaped grate          | S0243-17Z1        | 2   |
| 3   | Wheel Assembly          | S0243-47          | 1   |
| 4   | Hinge                   | S0174-11-SS304    | 2   |
| 5   | Door handle             | S0243-78          | 1   |
| 6   | Handle Locking Bracket  | S0243-79          | 2   |
| 7   | S-hook                  | S0243-61          | 3   |
| 8   | Accessory holder        | S0243-29          | 1   |
| 9   | Tool hook               | S0172-45-SS304    | 2   |
| 10  | Fire brick              | S0243-34          | 29  |
| 11  | Shovel                  | S0243-27Z1        | 1   |
| 12  | Grease tray             | S0243-03          | 1   |
| 13  | Poker                   | S0243-32          | 1   |
| 14  | Coal pan panel, left    | S0243-06Z1        | 1   |
| 15  | Coal pan panel, right   | <u>S0243-06Z2</u> | 1   |
| 16  | Coal pan panel, rear    | S0243-07Z1        | 1   |
| 17  | Grate Tray              | S0243-22Z1        | 1   |
| 18  | Bottom Shelf            | S0243-05          | 1   |
| 19  | Top rail                | S0243-11          | 1   |
| 20  | Spindle                 | S0243-39          | 1   |
| 21  | Cable                   | S0243-38          | 2   |
| 22  | Upright assembly, Left  | S0243-41Z1        | 1   |
| 23  | Upright assembly, right | S0243-41Z2        | 1   |
| 24  | Firebox                 | S0243-48          | 1   |
| 25  | Firebox door            | S0243-25          | 1   |
| 26  | Sprocket                | S0243-30          | 1   |
| 27  | Sprocket handle         | S0243-31          | 1   |
| 28  | cleaning tool           | S0243-28          | 1   |
| 29  | firebox holding bracket | S0243-28          | 1   |
|     |                         |                   |     |
|     |                         |                   |     |

### Built-in model only

|    |                         |          |   |
|----|-------------------------|----------|---|
| 30 | Grill Cover             | KGC0023  | 1 |
| 31 | Built-in Bracket, Left  | S0243-65 | 1 |
| 32 | Built-in Bracket, Right | S0243-76 | 1 |
| 33 | Built-in Bracket, Rear  | S0243-77 | 1 |

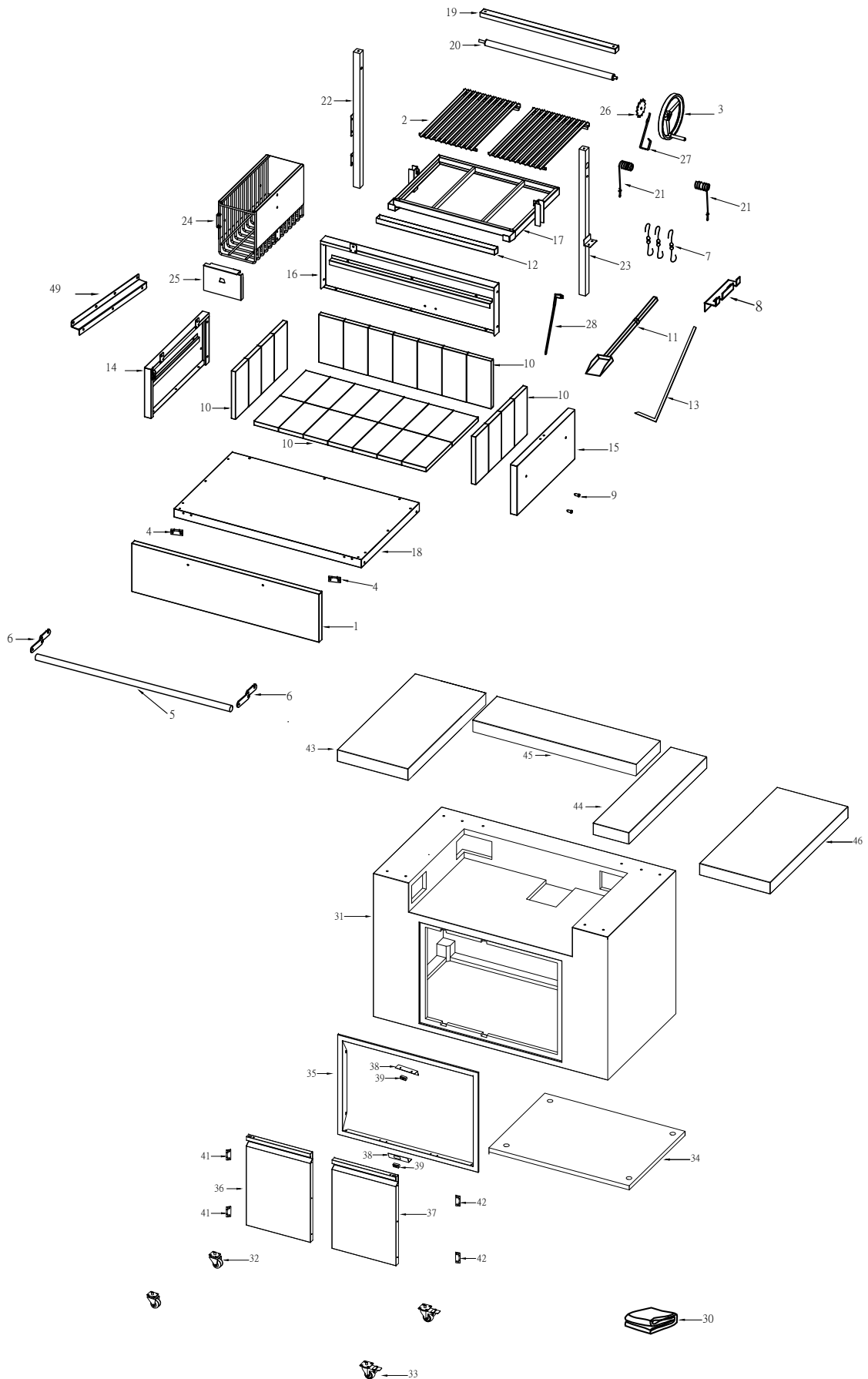
# Part Diagrams and Lists-ARCG304-S



## Part Diagrams and Lists-ARCG304-S

| KEY | DESCRIPTION             | PART#          | QTY |
|-----|-------------------------|----------------|-----|
| 1   | Door                    | S0243-01Z1     | 1   |
| 2   | V-shaped grate          | S0243-17Z1     | 2   |
| 3   | Wheel Assembly          | S0243-47       | 1   |
| 4   | Hinge                   | S0174-11-SS304 | 2   |
| 5   | Door handle             | S0243-78       | 1   |
| 6   | Handle Locking Bracket  | S0243-79       | 2   |
| 7   | S-hook                  | S0243-61       | 3   |
| 8   | Accessory holder        | S0243-29       | 1   |
| 9   | Tool hook               | S0172-45-SS304 | 2   |
| 10  | Fire brick              | S0243-34       | 29  |
| 11  | Shovel                  | S0243-27Z1     | 1   |
| 12  | Grease tray             | S0243-03       | 1   |
| 13  | Poker                   | S0243-32       | 1   |
| 14  | Coal pan panel, left    | S0243-06Z1     | 1   |
| 15  | Coal pan panel, right   | S0243-06Z2     | 1   |
| 16  | Coal pan panel, rear    | S0243-07Z1     | 1   |
| 17  | Grate Tray              | S0243-22Z1     | 1   |
| 18  | Bottom Shelf            | S0243-05       | 1   |
| 19  | Top rail                | S0243-11       | 1   |
| 20  | Spindle                 | S0243-39       | 1   |
| 21  | Cable                   | S0243-38       | 2   |
| 22  | Upright assembly, Left  | S0243-41Z1     | 1   |
| 23  | Upright assembly, right | S0243-41Z2     | 1   |
| 24  | Firebox                 | S0243-48       | 1   |
| 25  | Firebox door            | S0243-25       | 1   |
| 26  | Sprocket                | S0243-30       | 1   |
| 27  | Sprocket handle         | S0243-31       | 1   |
| 28  | cleaning tool           | S0243-28       | 1   |
| 30  | Grill Cover             | KGC0020        | 1   |
| 31  | Side shelf              | S0243-13Z1     | 1   |
| 32  | Caster with brake       | S0243-36       | 4   |
| 34  | Bottom shelf            | S0243-04       | 1   |
| 35  | Reinforced bracket      | S0243-12       | 1   |
| 36  | Cart legs. Left         | S0243-42Z1     | 1   |
| 37  | Cart leg, right         | S0243-42Z2     | 1   |
| 38  | Leg brace, Left         | S0243-70       | 1   |
| 39  | Leg brace, right        | S0243-71       | 1   |
| 40  | firebox holding bracket | S0243-88       | 1   |

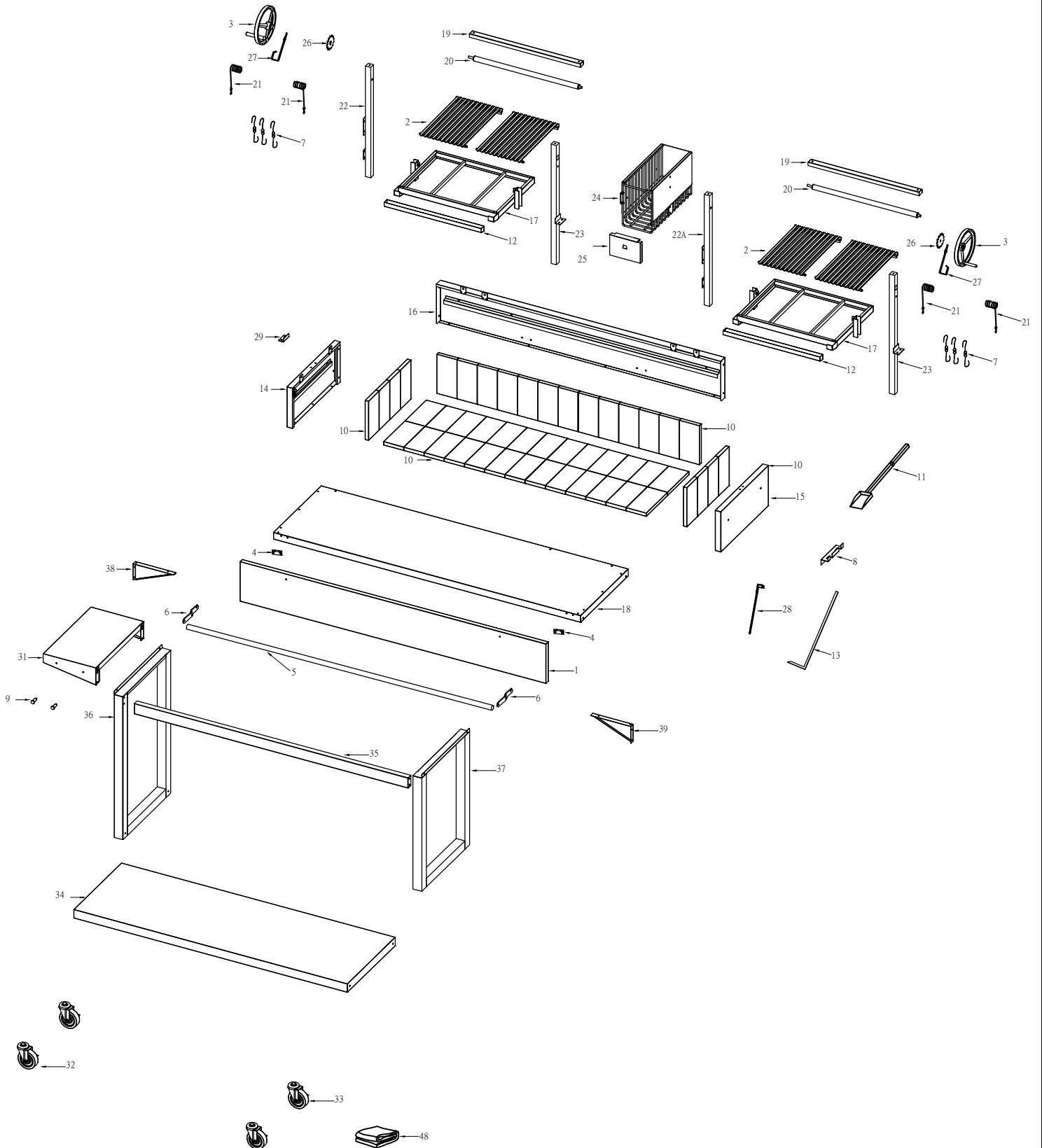
# Part Diagrams and Lists-ARISG304-S



## Part Diagrams and Lists-ARISG304-S

| KEY | DESCRIPTION                 | PART#            | QTY |
|-----|-----------------------------|------------------|-----|
| 1   | Door                        | S0243-01Z1       | 1   |
| 2   | V-shaped grate              | S0243-17Z1       | 2   |
| 3   | Wheel Assembly              | S0243-47         | 1   |
| 4   | Hinge                       | S0174-11-SS304   | 2   |
| 5   | Door handle                 | S0243-78         | 1   |
| 6   | Handle Locking Bracket      | S0243-79         | 2   |
| 7   | S-hook                      | S0243-61         | 3   |
| 8   | Accessory holder            | S0243-29         | 1   |
| 9   | Tool hook                   | S0172-45-SS304   | 2   |
| 10  | Fire brick                  | S0243-34         | 29  |
| 11  | Shovel                      | S0243-27Z1       | 1   |
| 12  | Grease tray                 | S0243-03         | 1   |
| 13  | Poker                       | S0243-32         | 1   |
| 14  | Coal pan panel, left        | S0243-06Z1       | 1   |
| 15  | Coal pan panel, right       | S0243-06Z2       | 1   |
| 16  | Coal pan panel, rear        | S0243-07Z1       | 1   |
| 17  | Grate Tray                  | S0243-22Z1       | 1   |
| 18  | Bottom Shelf                | S0243-05         | 1   |
| 19  | Top rail                    | S0243-11         | 1   |
| 20  | Spindle                     | S0243-39         | 1   |
| 21  | Cable                       | S0243-38         | 2   |
| 22  | Upright assembly, Left      | S0243-41Z1       | 1   |
| 23  | Upright assembly, right     | S0243-41Z2       | 1   |
| 24  | Firebox                     | S0243-48         | 1   |
| 25  | Firebox door                | S0243-25         | 1   |
| 26  | Sprocket                    | S0243-30         | 1   |
| 27  | Sprocket handle             | S0243-31         | 1   |
| 28  | cleaning tool               | S0243-28         | 1   |
| 30  | Grill Cover                 | KGC0021          | 1   |
| 31  | Island bench                | S0243-51         | 1   |
| 32  | Caster with brake           | S0224-21A        | 2   |
| 33  | Caster without brake        | S0224-21B        | 2   |
| 34  | Bottom shelf                | S0243-62         | 1   |
| 35  | Door frame                  | S0224-27Z2       | 1   |
| 36  | Door, left                  | S0224-28Z2       | 1   |
| 37  | Door, right                 | S0224-28         | 1   |
| 38  | Magnet bracket              | S0243-53         | 2   |
| 39  | Magnet                      | S0207-43         | 4   |
| 41  | Hinge, left                 | S0200-08-SS30410 | 2   |
| 42  | Hinge, right                | S0200-09-SS30410 | 2   |
| 43  | Countertop, left            | S0243-52Z1       | 1   |
| 44  | Countertop, right           | S0243-53Z1       | 1   |
| 45  | Countertop, rear            | S0243-54Z1       | 1   |
| 46  | Additional small countertop | S0243-55Z1       | 1   |
| 47  | Touch-up paint              | KPP0008A         | 1   |
| 48  | Touch-up paint              | KPP0009A         | 1   |
| 49  | firebox holding bracket     | S0243-88         | 1   |

# Part Diagrams and Lists-ARCG304-XL-S



## Part Diagrams and Lists-ARCG304-XL-S

| KEY | DESCRIPTION             | PART#             | QTY |
|-----|-------------------------|-------------------|-----|
| 1   | Door                    | <u>S0250-21Z1</u> | 1   |
| 2   | V-shaped grate          | S0243-17Z1        | 4   |
| 3   | Wheel Assembly          | S0243-47          | 2   |
| 4   | Hinge                   | S0174-11-SS304    | 2   |
| 5   | Door handle             | S0243-78          | 1   |
| 6   | Handle Locking Bracket  | S0243-79          | 2   |
| 7   | S-hook                  | S0243-61          | 6   |
| 8   | Accessory holder        | S0243-29          | 1   |
| 9   | Tool hook               | S0172-45-SS304    | 2   |
| 10  | Fire brick              | S0243-34          | 49  |
| 11  | Shovel                  | S0243-27Z1        | 1   |
| 12  | Grease tray             | S0243-03          | 2   |
| 13  | Poker                   | S0243-32          | 1   |
| 14  | Coal pan panel, left    | S0243-06Z3        | 1   |
| 15  | Coal pan panel, right   | S0243-06Z2        | 1   |
| 16  | Coal pan panel, rear    | S0250-15Z1        | 1   |
| 17  | Grate Tray              | S0243-22Z1        | 2   |
| 18  | Bottom Shelf            | S0250-10Z1        | 1   |
| 19  | Top rail                | S0243-11          | 2   |
| 20  | Spindle                 | S0243-39          | 2   |
| 21  | Cable                   | S0243-38          | 4   |
| 22  | Upright assembly, Left  | S0243-41Z1        | 1   |
| 22A | Upright assembly, Left  | S0243-41Z1        | 1   |
| 23  | Upright assembly, right | S0243-41Z2        | 2   |
| 24  | Firebox                 | S0250-20          | 1   |
| 25  | Firebox door            | S0243-25          | 1   |
| 26  | Sprocket                | S0243-30          | 2   |
| 27  | Sprocket handle         | S0243-31          | 2   |
| 28  | cleaning tool           | S0243-28          | 1   |
| 29  | Upright assembly brake  | S0243-89          | 1   |
| 30  | Grill Cover             | KGC0020           | 1   |
| 31  | Side shelf              | S0243-13Z1        | 1   |
| 32  | Caster with brake       | S0243-36          | 4   |
| 34  | Bottom shelf            | S0250-14          | 1   |
| 35  | Reinforced bracket      | S0250-12          | 1   |
| 36  | Cart legs. Left         | <u>S0243-42Z1</u> | 1   |
| 37  | Cart leg, right         | S0243-42Z2        | 1   |
| 38  | Leg brace, Left         | S0243-70          | 1   |
| 39  | Leg brace, right        | S0243-71          | 1   |
| 48  | Grill Cover             | KGC0027           | 1   |

# Warranty Information

Should you encounter any problem,

Please contact us first.

DON'T Return the product to the store.

We can help.

US Customer Assistance (spare/replacement parts): 1-877-419-2598 or Email: [support@1800acs.com](mailto:support@1800acs.com)/  
[contact@zhprokan.com](mailto:contact@zhprokan.com)

Canada: (888) 848-1663/ [contactca@zhprokan.com](mailto:contactca@zhprokan.com)

Please note that the limited warranty is given to and covers the Original purchaser only and such coverage is not transferable. The proof of purchase may be required when warranty service is occurred.

The limited warranty is limited to replacement of parts, at the manufacturer's option that proved to be defective from manufacturing failure with the manufacturer's examination. The warranty doesn't cover any failures or operating difficulties due to accident, abuse, misuse, alternation or modification, misapplication, vandalism, improper installation, maintenance or service, damages caused by flashback fires or grease fire, as set out in this operation manual. Deterioration or damage due to severe weather conditions such as fail, hurricane, earthquakes, tsunami, tornadoes, Acts of God or terrorism, discoloration due to exposure to chemicals either directly or in the atmosphere, is not covered by this limited warranty.

How to order replacement parts:

Please refer to the parts list on this instruction manual. To make sure you obtain the replacement parts for your grill, the following information is required to assure the correct parts.

For parts and service, please provide the following information:

- Name
- Serial Number
- Parts number/ description of parts needed
- Shipping address
- Phone number
- Pictures of the overall product
- Pictures of the part or issue
- Proof of Date of purchase and/or picture of receipt

## Warranty Restrictions

- This warranty is non-transferable.
- This warranty is void if grill is used for commercial or rental purposes.
- This grill is safety certified for use only in the county where purchased, Modification for use in any other location is a safety hazard and will void the warranty.

## Contact Information:

Manufacturer: Zhuhai Prokan Relaxation  
Equipment Co., LTD  
Address: Ningtang INDUSTRIAL AREA OF  
Tangjiawan TOWN, ZHUHAI, GUANGDONG,  
CHINA  
[www.prokangrills.com](http://www.prokangrills.com)