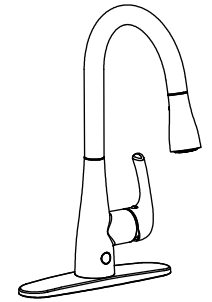
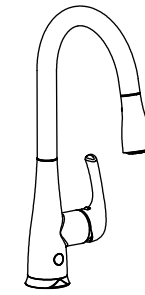
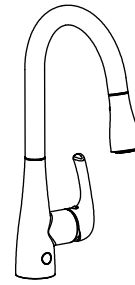


KITCHEN SENSOR FAUCET

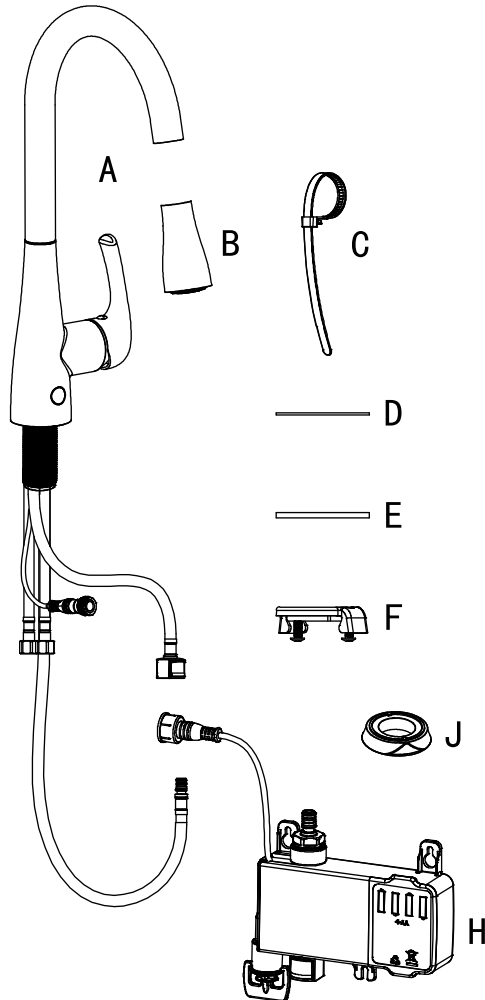
USER MANUAL



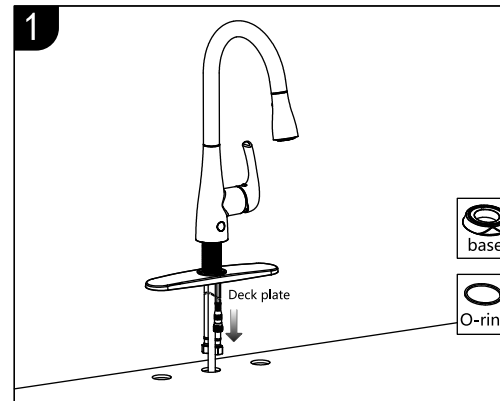
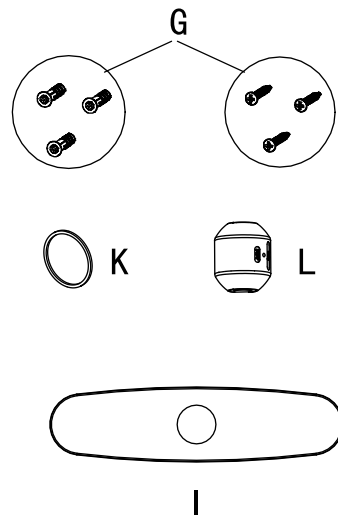
Single hole installation
without base

Single hole installation
with base

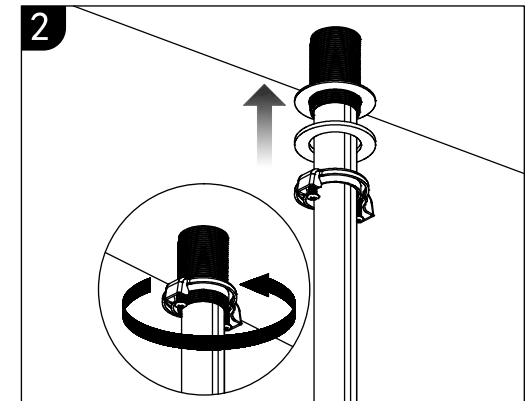
3-hole installation



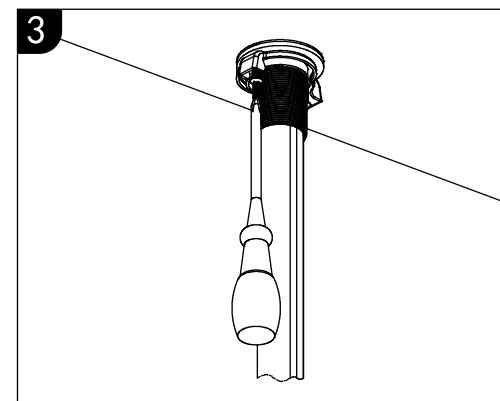
No.	Description	QTY
A	Faucet	1
B	Spray head	1
C	Zip tie	1
D	Rubber washer	1
E	Metal gasket	1
F	Mounting nut	1
G	Screw set	3
H	Control box	1
I	Deck plate(Optional)	1
J	Flange base(Optional)	1
K	O-ring(Optional)	1
L	Counter weight	1



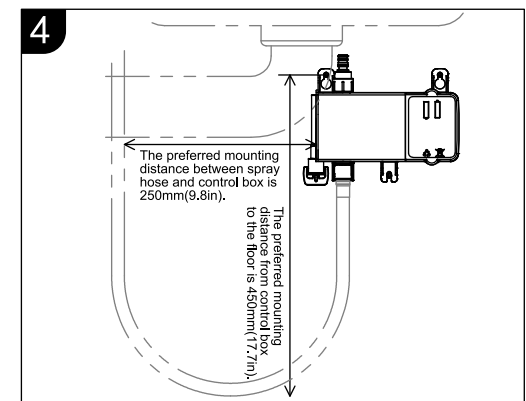
For 1-hole sink, insert the O-ring (or base) over the cable, hoses and the shank into (or to) the faucet bottom, and then mount the faucet on the sink. For 3-hole sink, insert deck plate over the cable and hoses in the mounting shank, aligning the grooves in the deck plate with the arches on the faucet bottom, and then mount the faucet on the sink.



Slide the rubber washer first, the Metal gasket second, and then the mounting nut over the hoses and the data cable onto the stem and hand tighten them firmly.

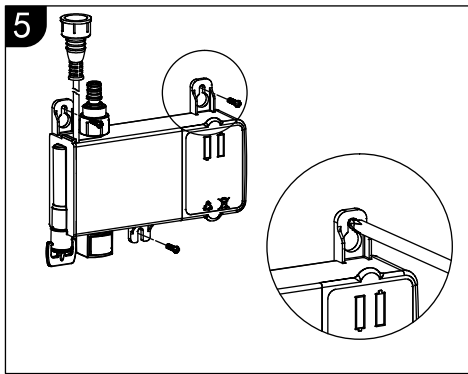


Use a screwdriver to thread the 2 screws.

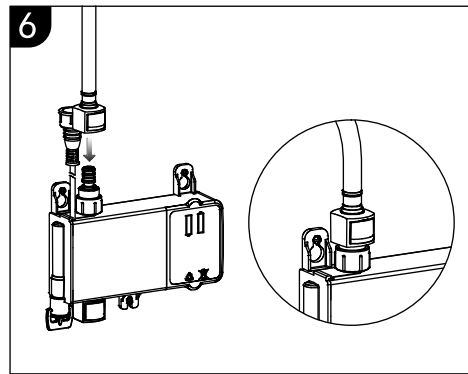


The dimension shown in the figure is a preferred mounting distance for control box (The distance can be adjusted to better fit your space).

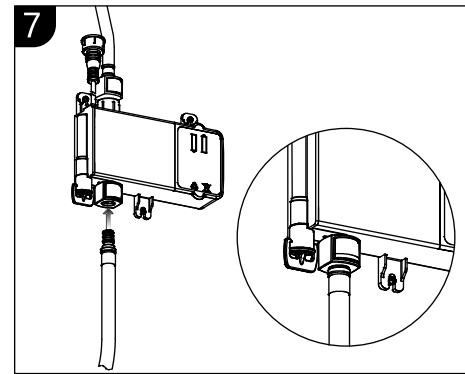
- We reserve the right to make revisions in the design of faucets without notice.
- Image is for reference only, styles varies by models.



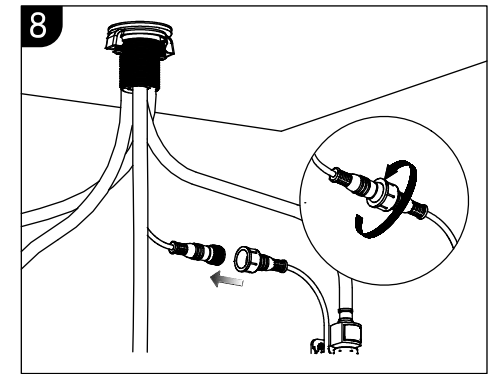
Mount the screws into the wall under the sink and hang the control box according to the preferred mounting distance.



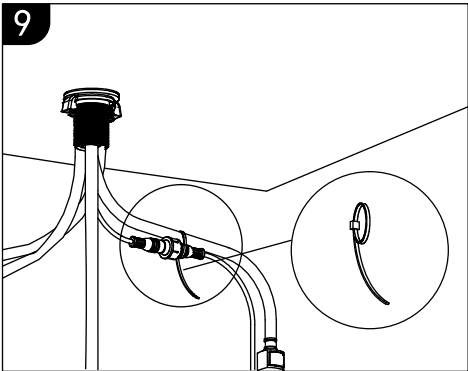
Attach the outlet hose to the adapter on top of the control box with the "quick-connection".



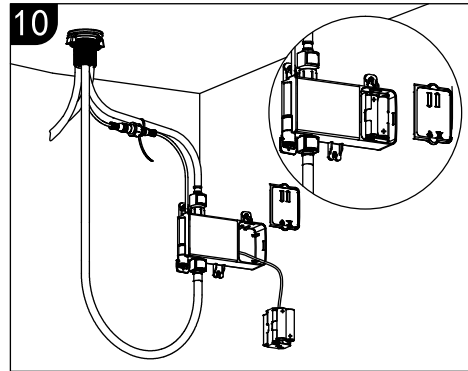
Attach the black nylon braided hose to the adapter at the bottom of the control box.



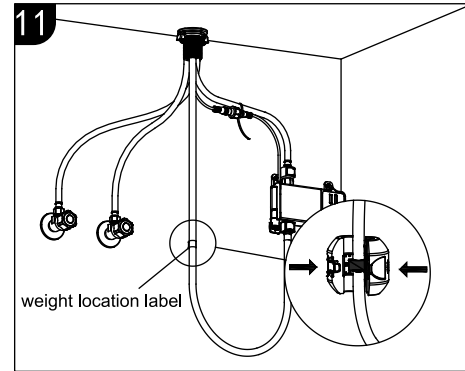
Connect the sensor cables and hand tighten them firmly.



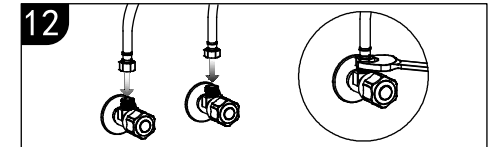
Tie the sensor cable together with the outlet hose by using a zip tie.



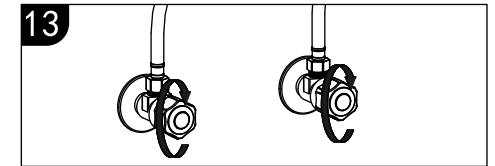
Remove the battery pack cover on control box and take out the battery pack; insert 4 AA batteries(sold separately). Put the battery pack back in the control box and replace the cover firmly. The batteries should be charged or changed when the sensor flashes a red light.



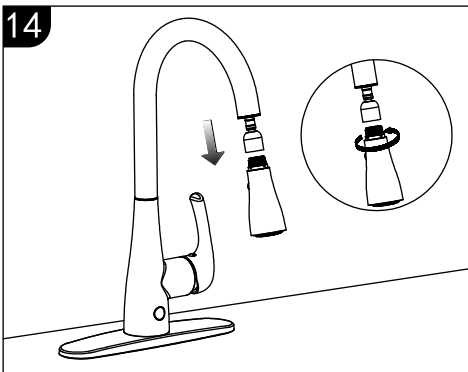
Install the counterweight on the pulldown hose at the marked position(it should be placed on the line), and secure it with a screwdriver.



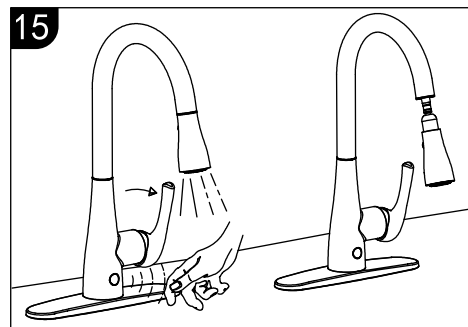
Connect the hot & cold supply lines onto the matching water valves and secure the connection with an adjustable wrench.



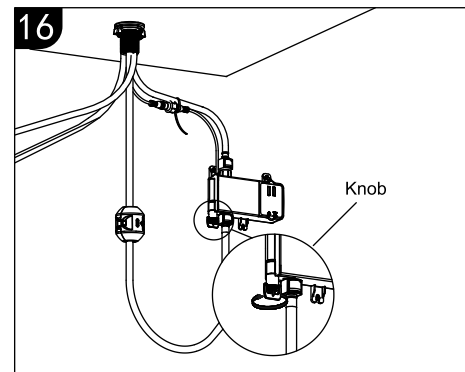
Turn on the water supply and check the water connections for leaks.



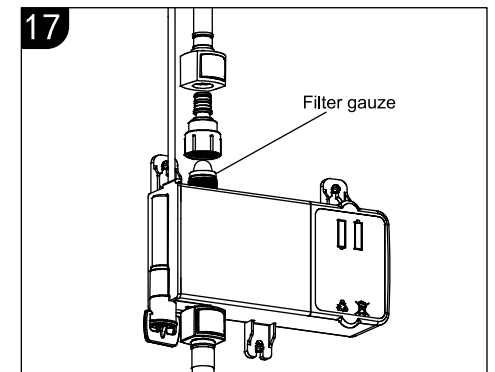
Attach and secure the spray head onto the pulldown hose.



Turn on the faucet and wave your hand over the Sensor; Set water temperature to desired setting. The water temperature changes by manipulating the handle. Run the water and it will stop automatically in 3 minutes. Check for leaks. Then pull out the spray head (the infrared sensor will start working when the spray head is pulled out). Slide the spray head back in original position, and the water turns off. (some models don't have pull down sensor). Repeat the operation several times, and check for errors. If none, then the faucet is good for use. It is recommended to turn the handle off when the faucet will not be in use for an extended amount of time.



For manual operation, turn the knob beneath the control box counter-clockwise to the end (as shown in figure 16). The sensor will be disabled and the faucet will be operational by the handle only.



If the water flow rate is lower than normal, there may be built up on the filter gauze. Shut off the water valves and remove the outlet hose from the control box and unscrew the inlet adapter from the control box. Take out the filter gauze and clean it. Reassemble the outlet hose connector, inlet adapter, and filter gauze as shown on the figure above.