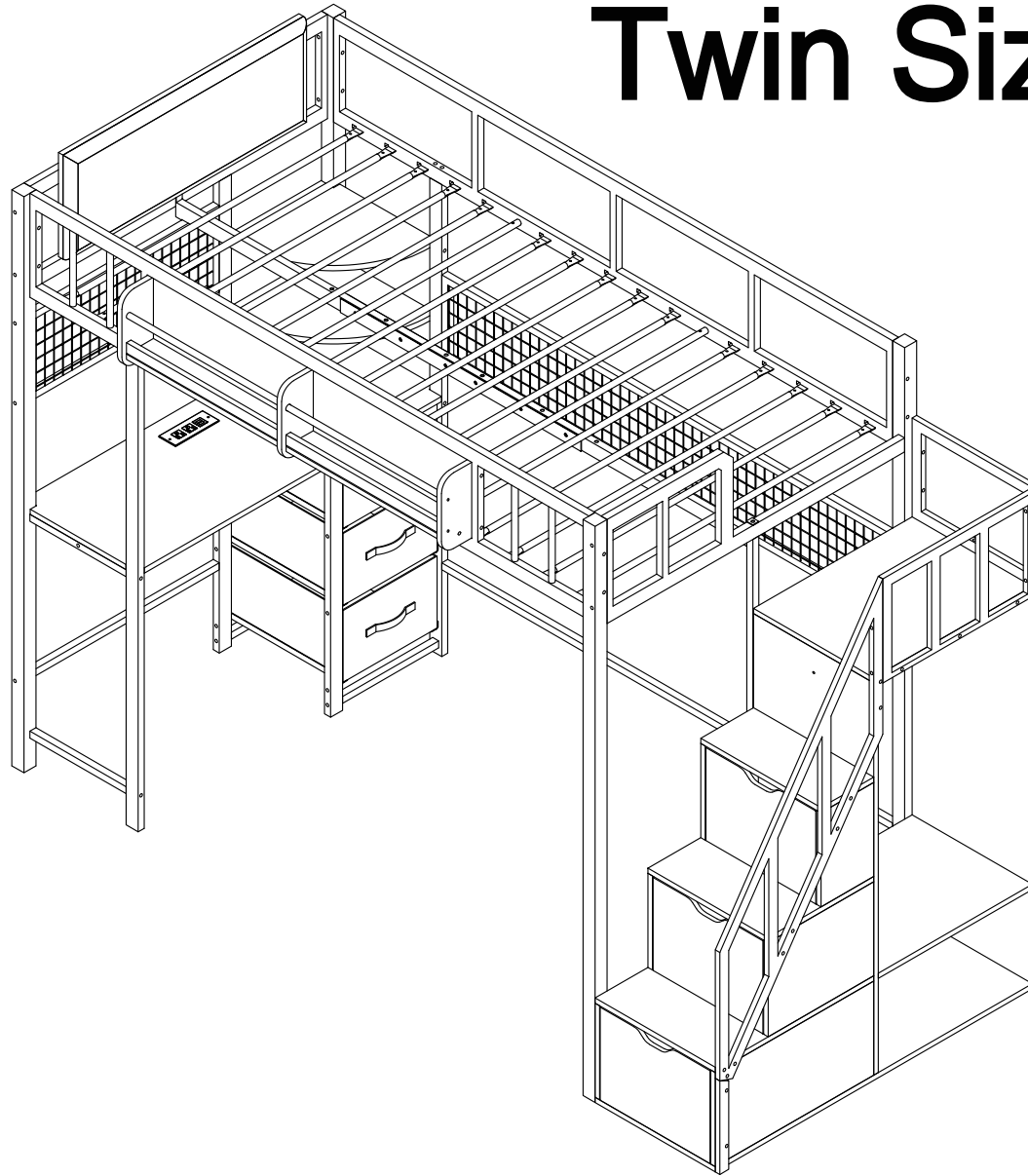
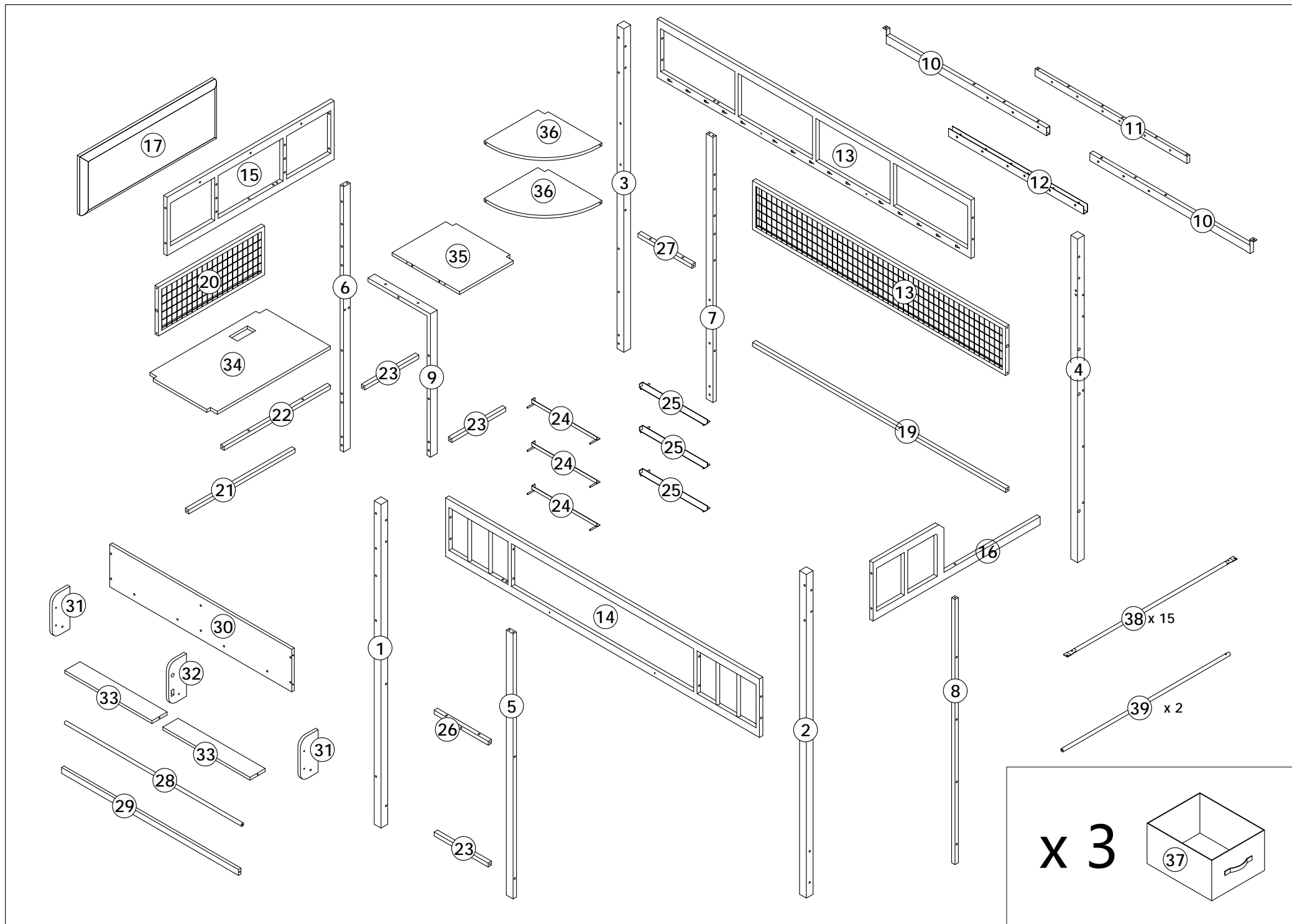
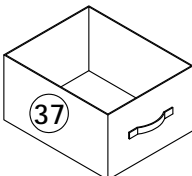
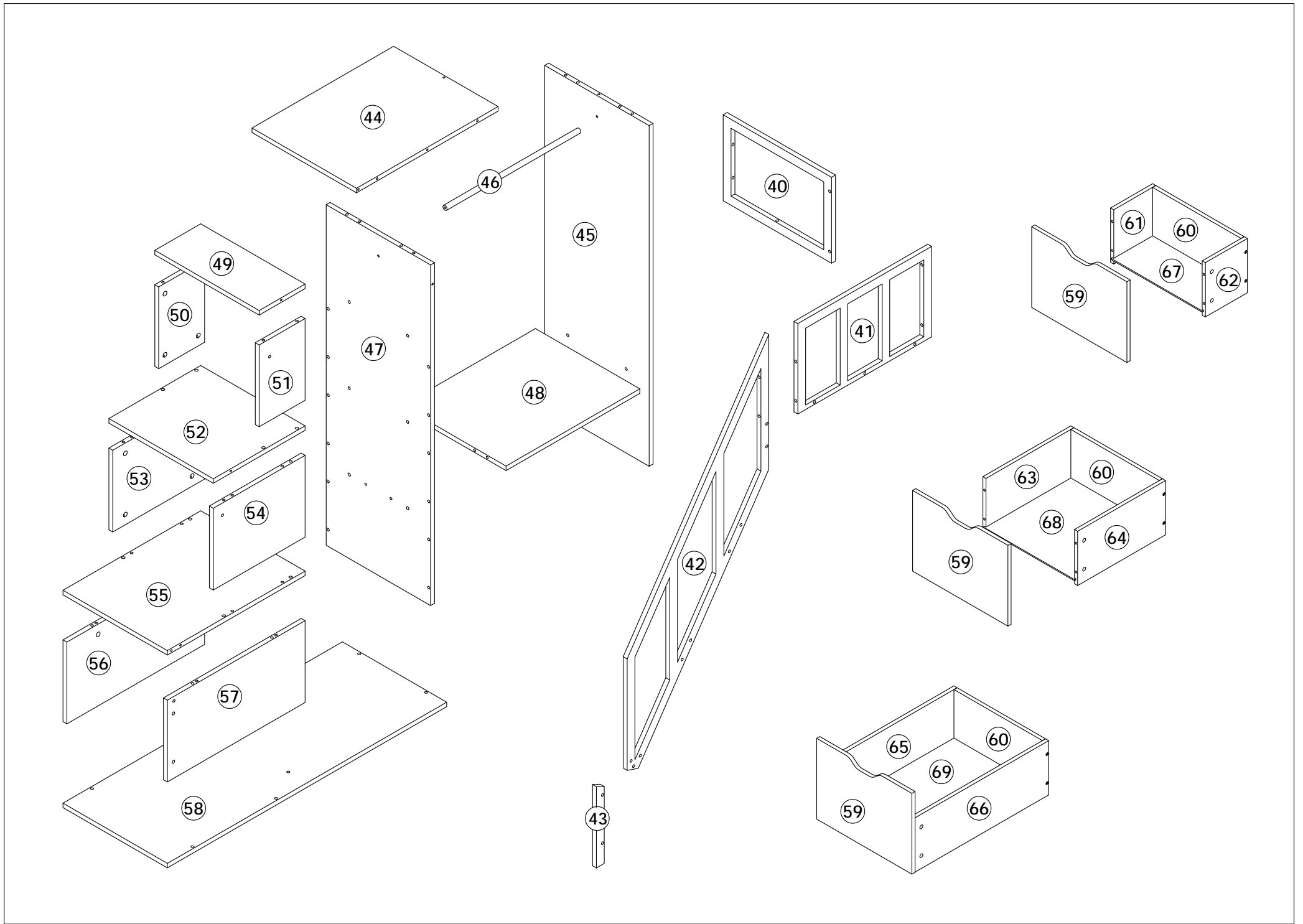


# Twin Size Manual

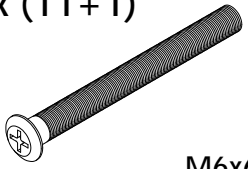
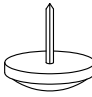
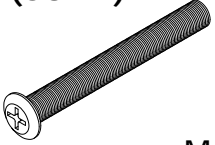
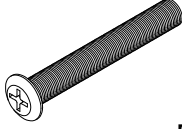
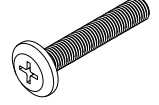
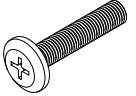
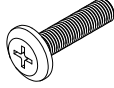
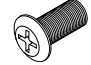

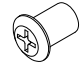
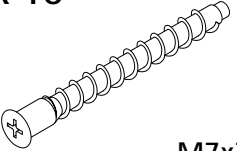
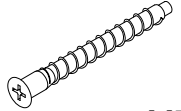
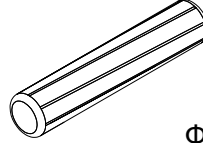
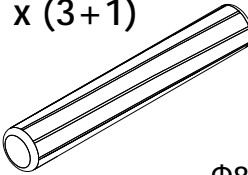
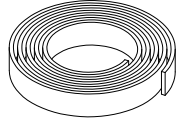
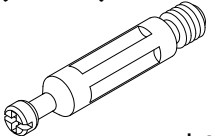
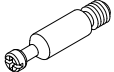

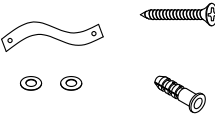
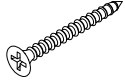
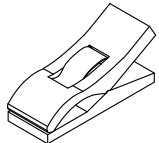
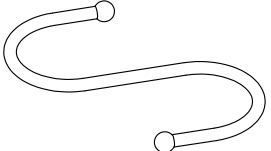
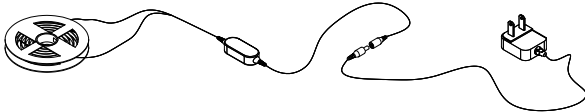
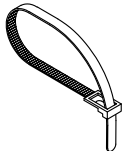
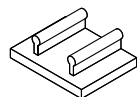
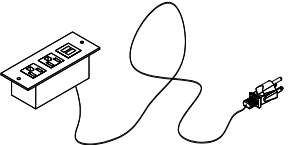
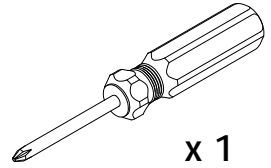




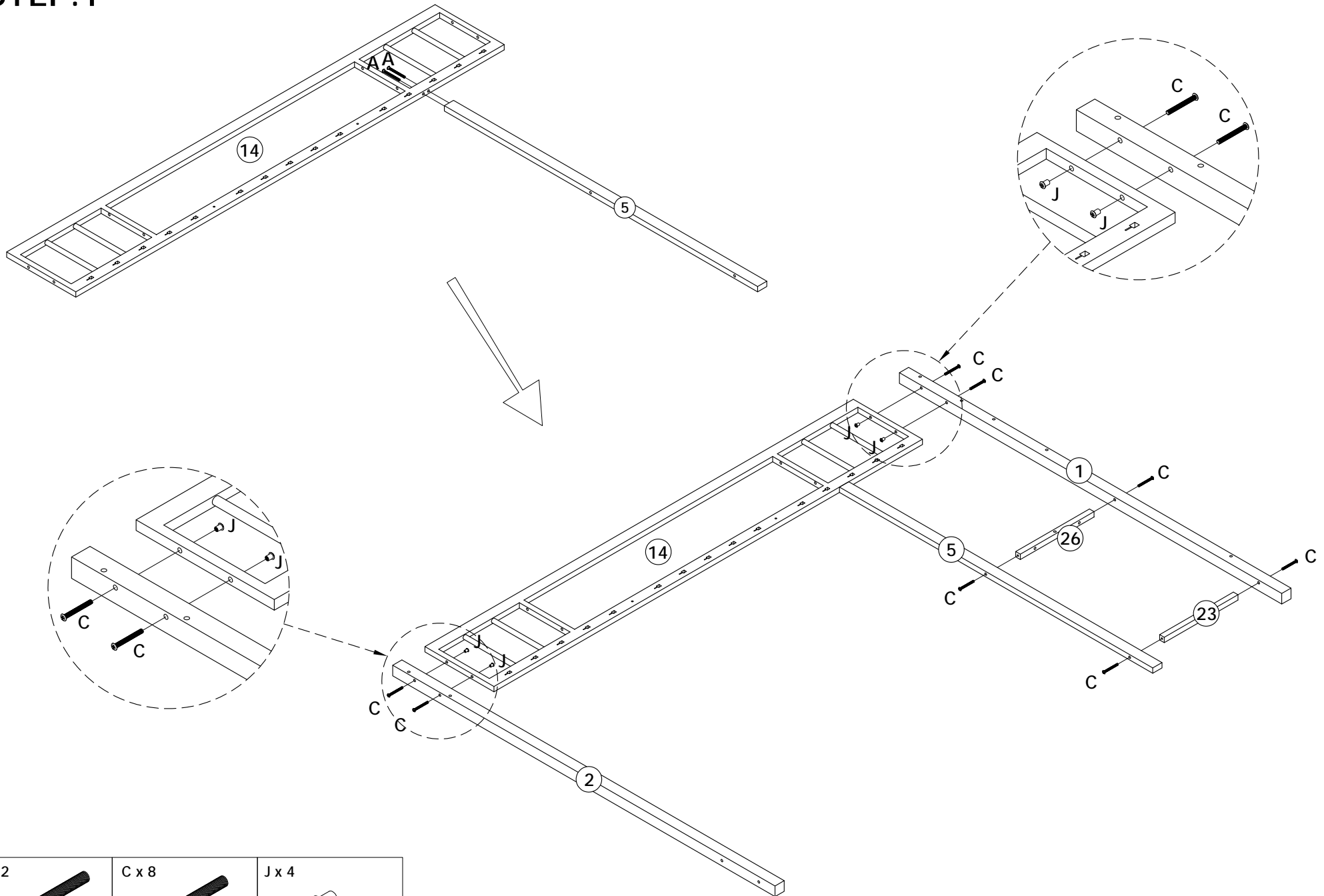
x 3 






# Hardware

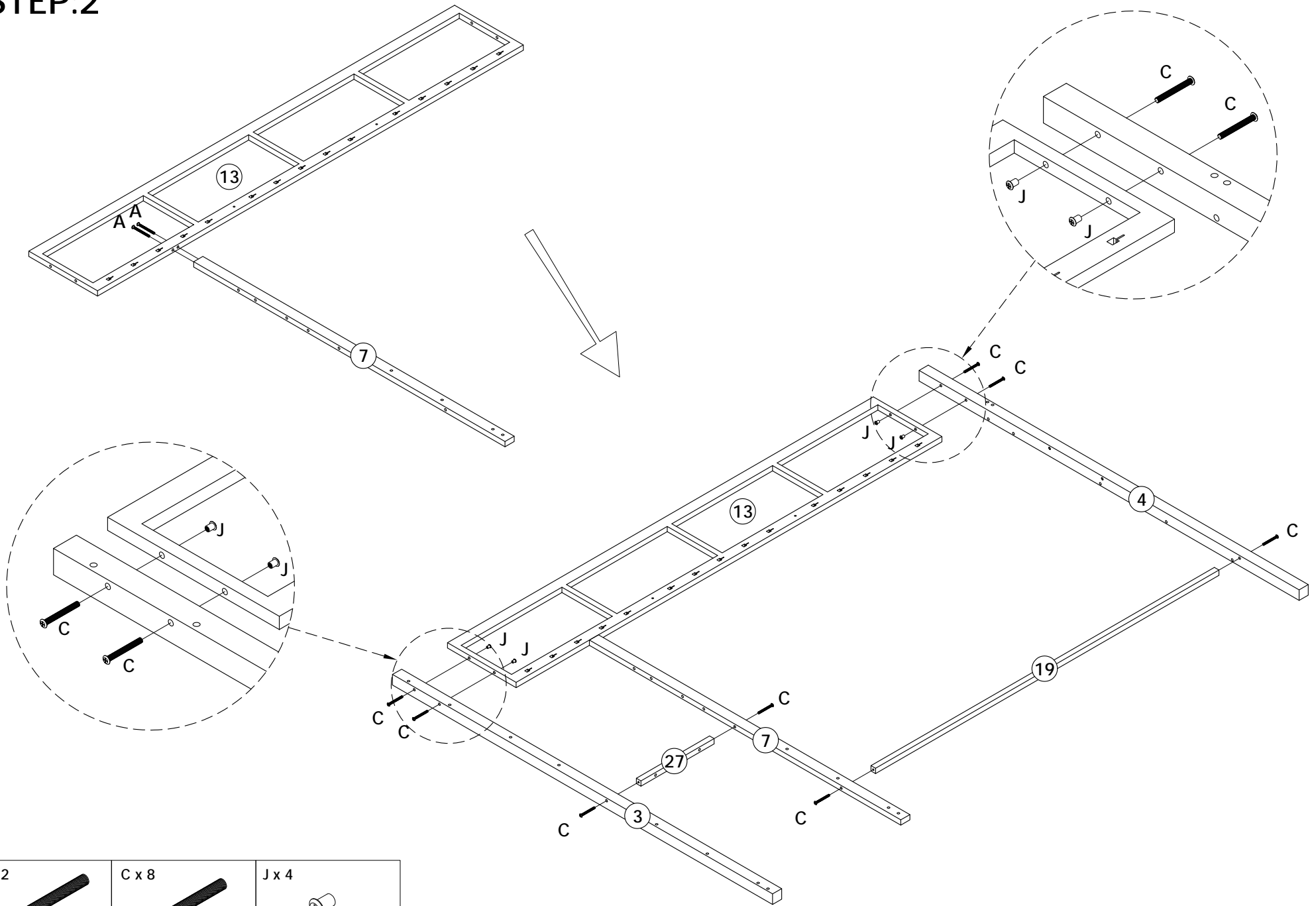
<p>A x (11+1)</p>  <p>M6x65</p>	<p>B x (8+1)</p> 	<p>C x (38+2)</p>  <p>M6x55</p>	<p>D x (2+1)</p>  <p>M6x50</p>	<p>E x (23+1)</p>  <p>M6x35</p>
<p>F x (13+1)</p>  <p>M6x30</p>	<p>G x (5+1)</p>  <p>M6x25</p>	<p>H x (6+1)</p>  <p>M6x15</p>	<p>I x 2</p>  <p>Φ3.5x14</p>	<p>J x (50+2)</p>  <p>M6x15</p>
<p>K x 10</p>  <p>M7x70</p>	<p>L x (55+2)</p>  <p>M7x50</p>	<p>M x (20+2)</p>  <p>Φ8x40</p>	<p>N x (3+1)</p>  <p>Φ8x60</p>	<p>O x 1</p> 
<p>P x (28+2)</p>  <p>Φ6x40</p>	<p>Q x (14+1)</p>  <p>Φ6x32</p>	<p>R x (42+2)</p> 	<p>S x 2</p> 	<p>T x (12+1)</p>  <p>Φ3.5x40</p>
<p>U x 5</p> 	<p>V x 5</p> 	<p>W x 1</p> 		<p>X x 12</p> 
<p>Y x 30</p> 	<p>Z x 1</p> 	<p>x 1</p> 		




# STEP:1



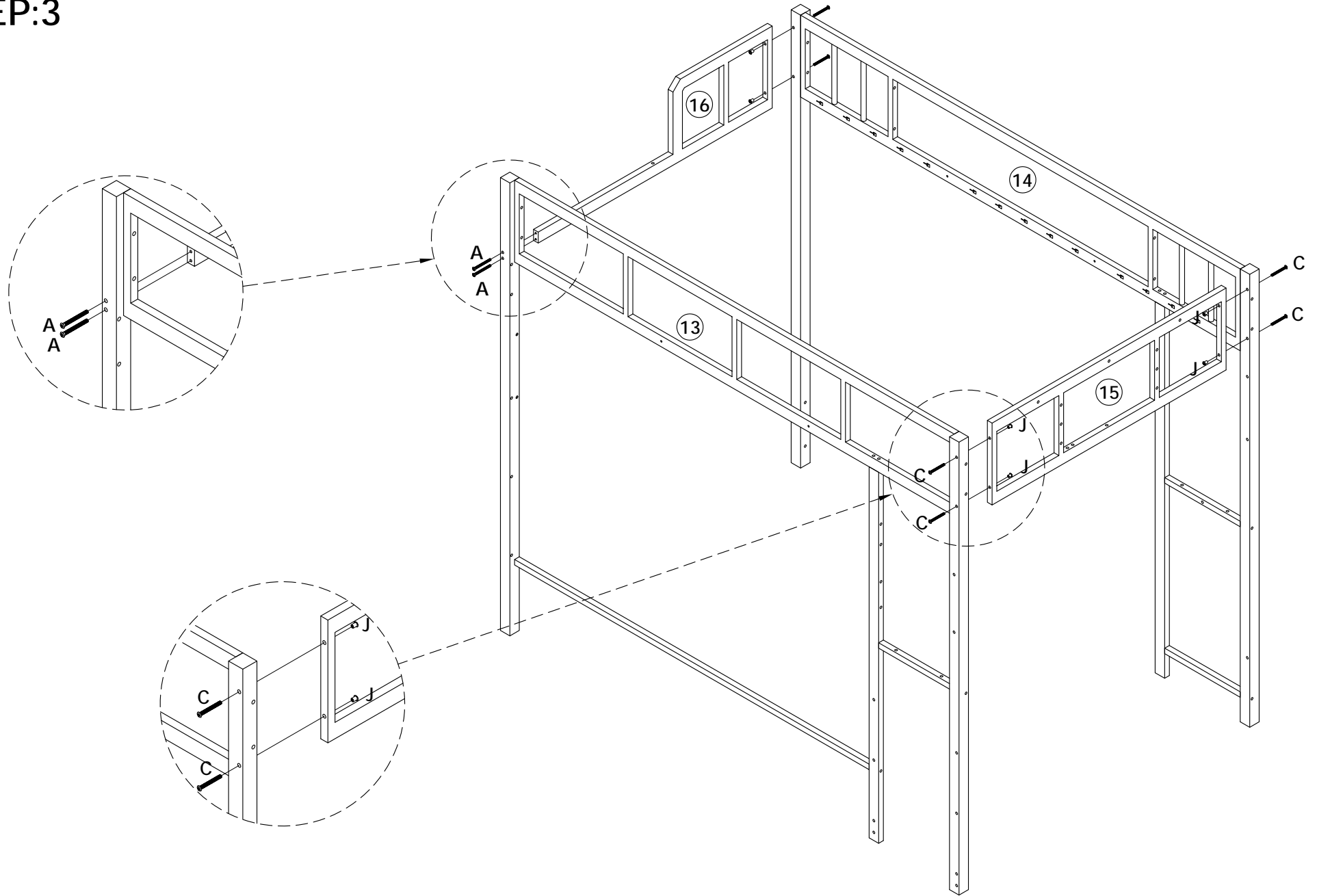
A x 2  M6x65	C x 8  M6x55	J x 4  M6x15
---	---	---




# STEP:2



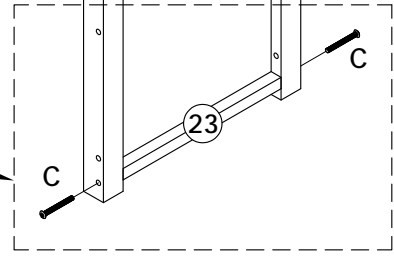
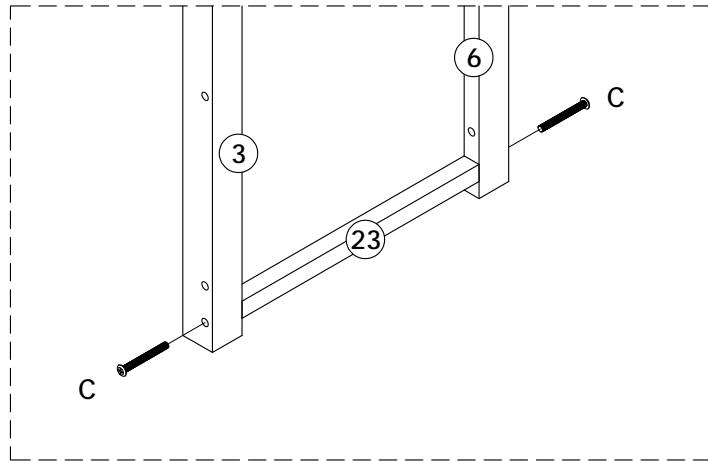
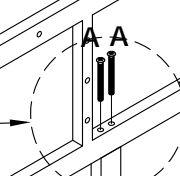
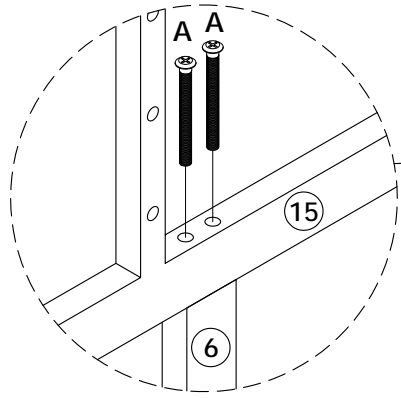
A x 2  M6x65	C x 8  M6x55	J x 4  M6x15
---	---	---

# STEP:3

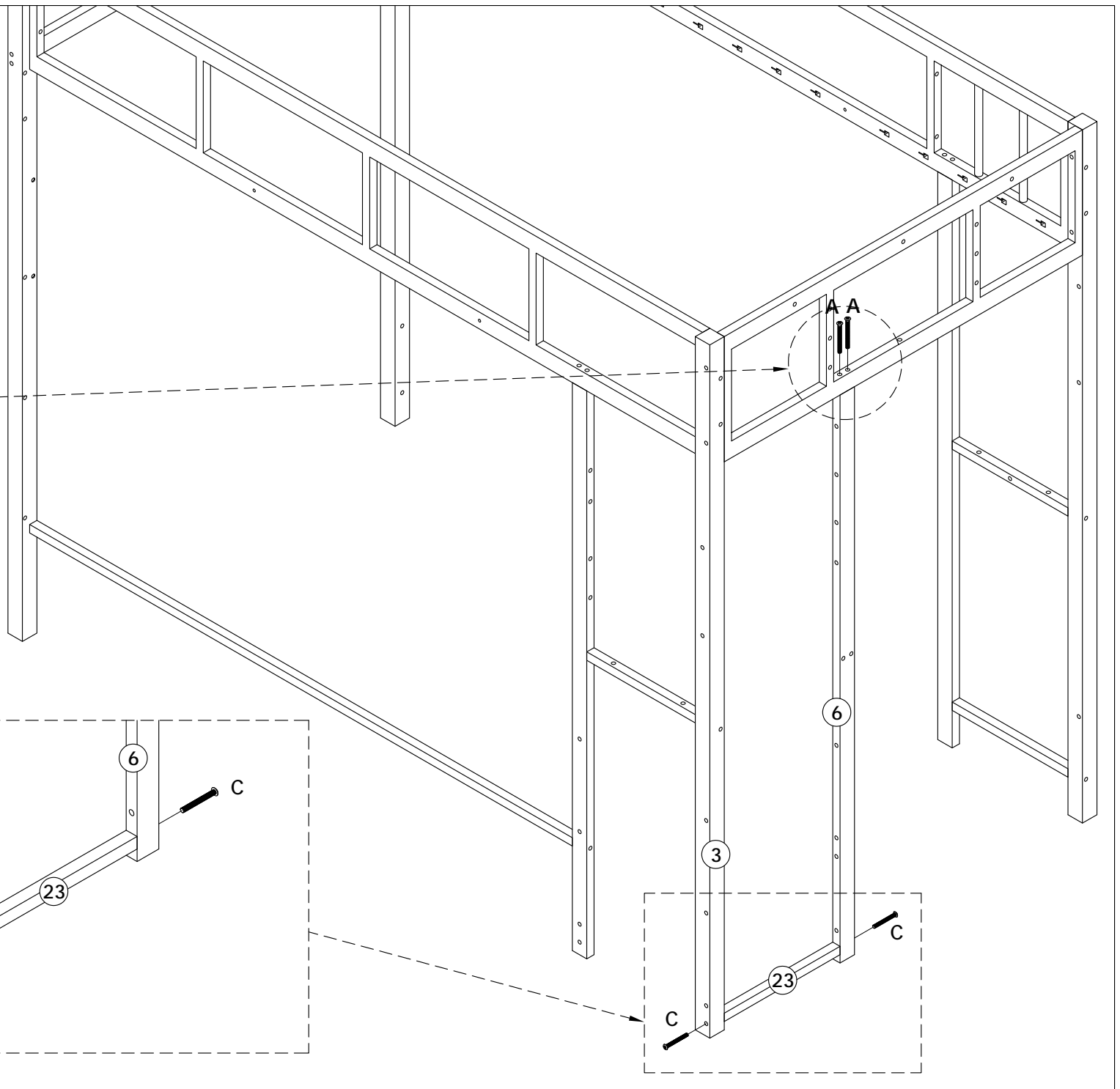


A x 2  M6x65	C x 6  M6x55	J x 6  M6x15
---	---	---

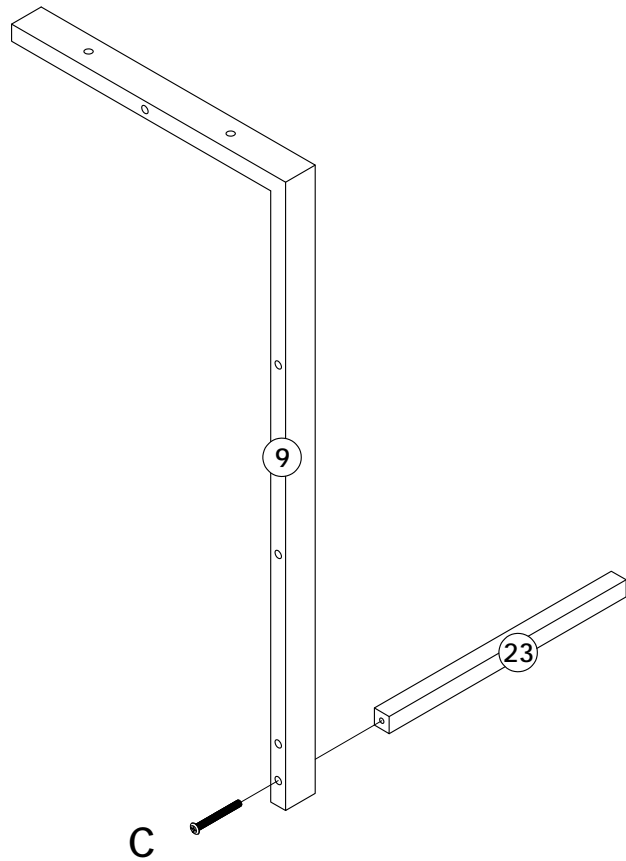
# STEP:4



- A x 2  
M6x65
- C x 2  
M6x55



# STEP:5

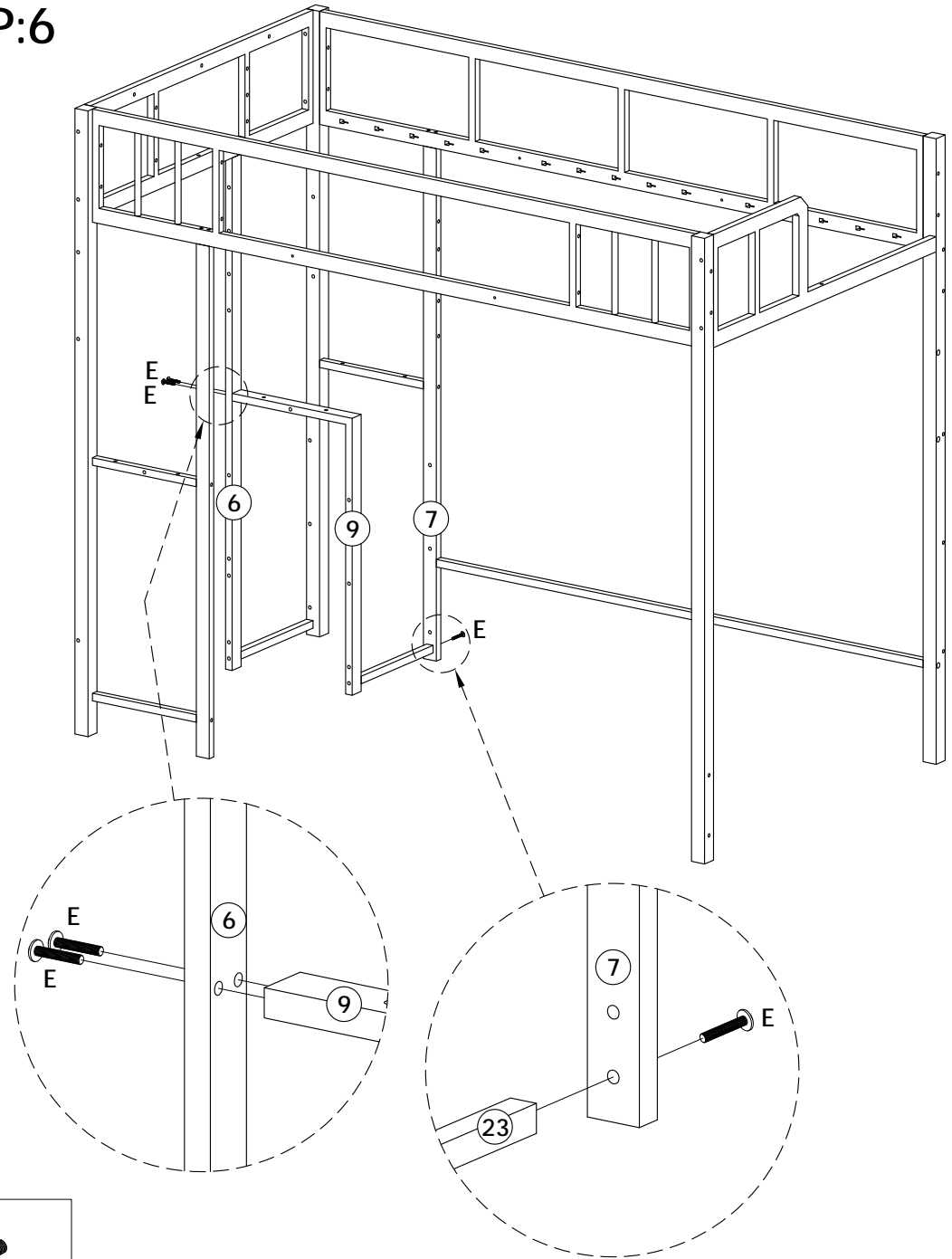


C x 1



M6x55

# STEP:6

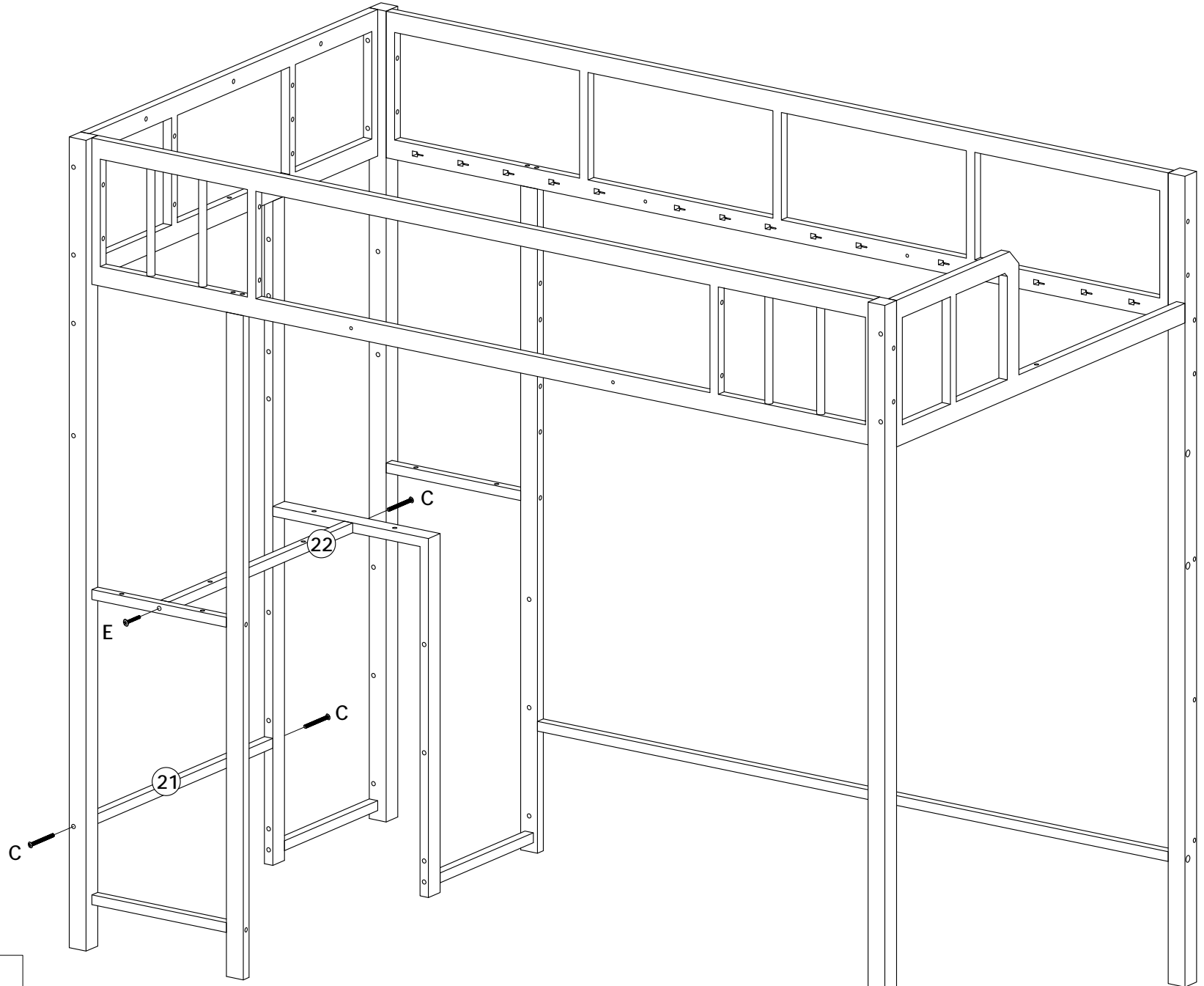


E x 3



M6x35

# STEP:7



C x 3



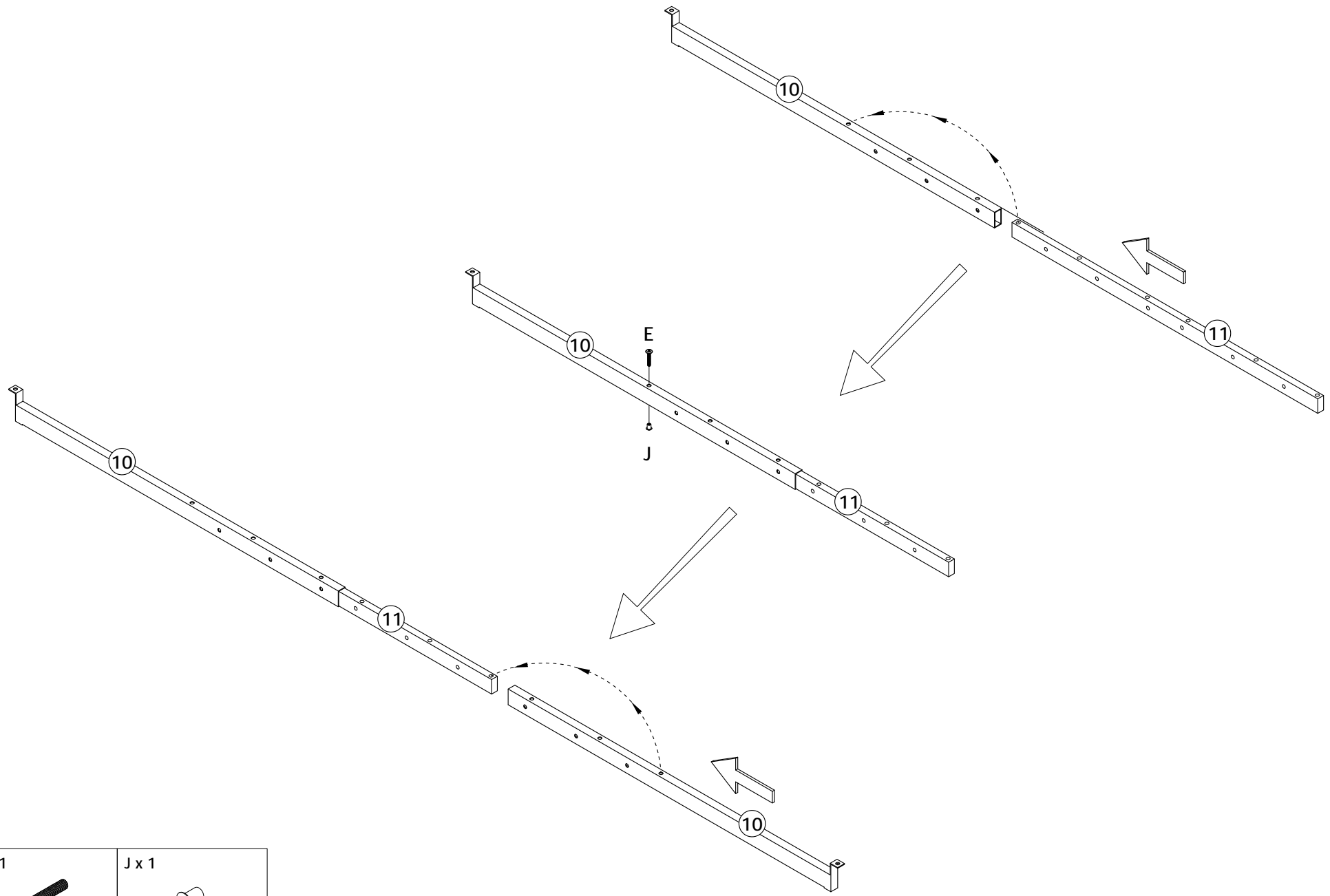
M6x55

E x 1



M6x35

# STEP:8



E x 1



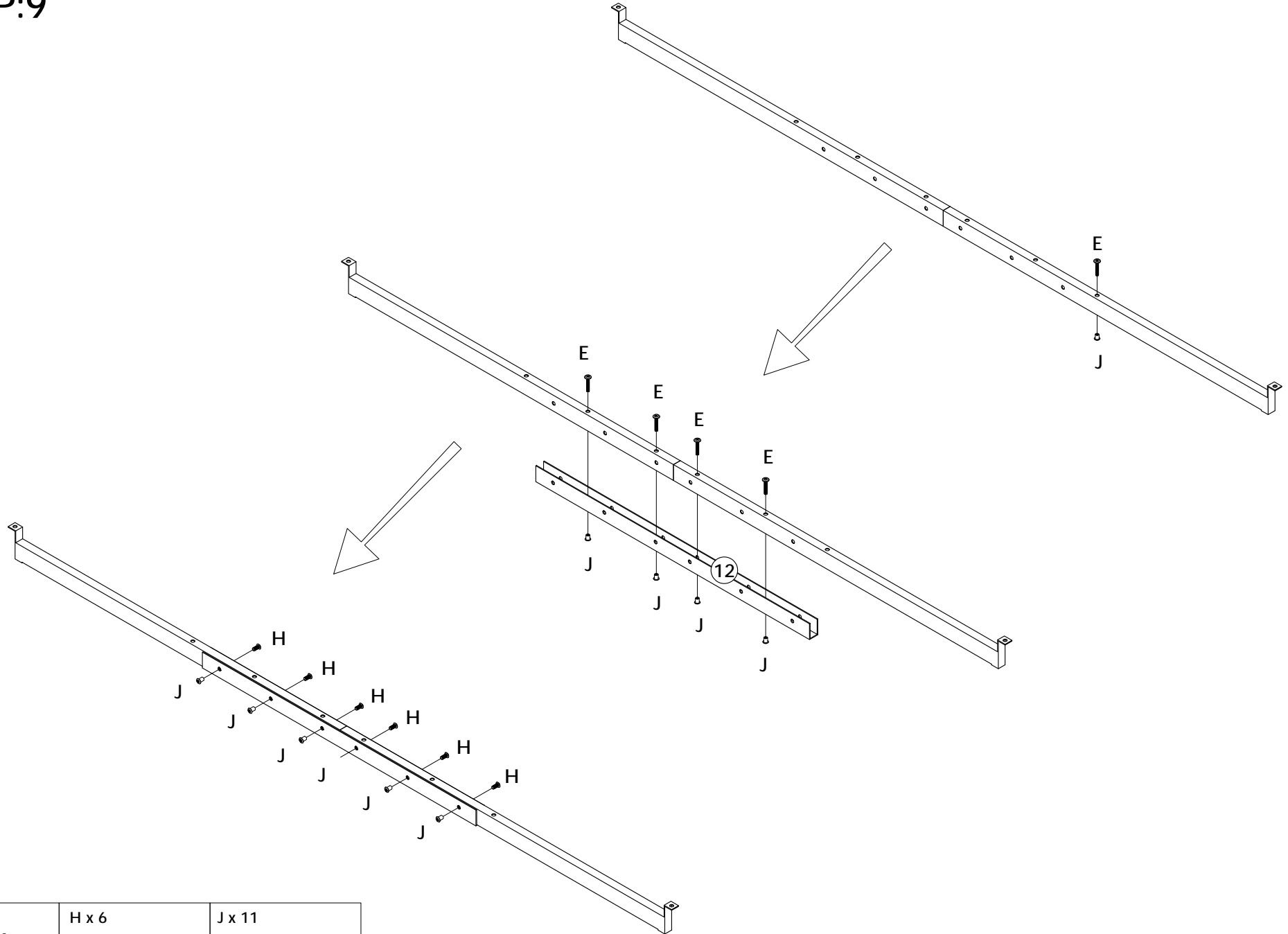
M6x35




J x 1



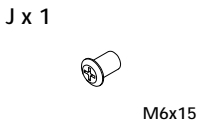
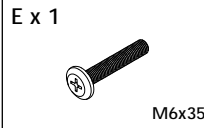
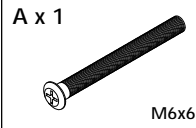
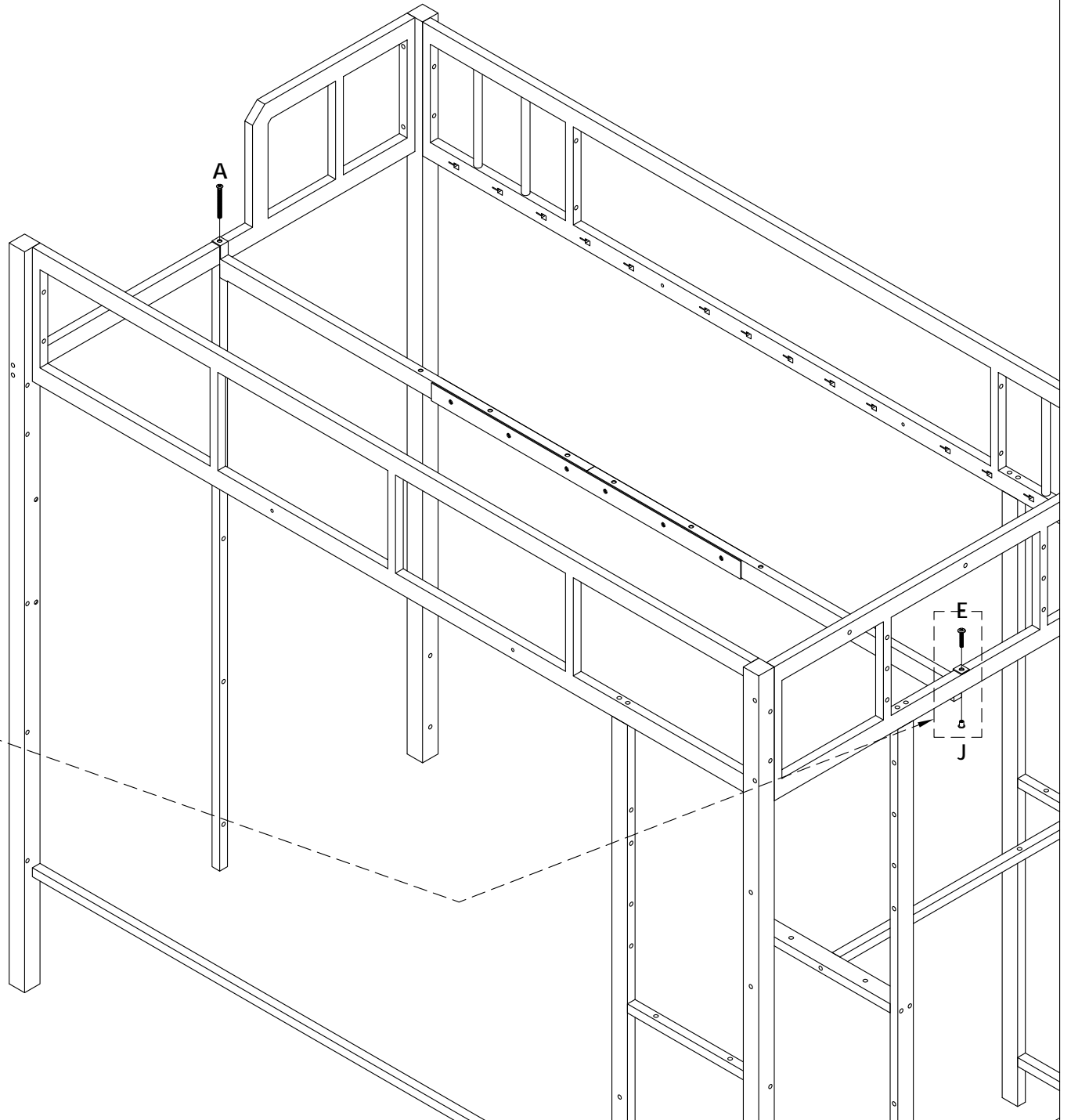
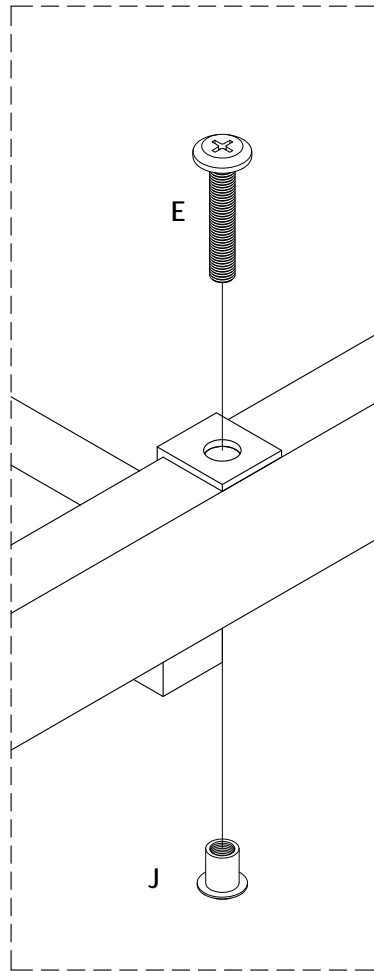
M6x15

# STEP:9

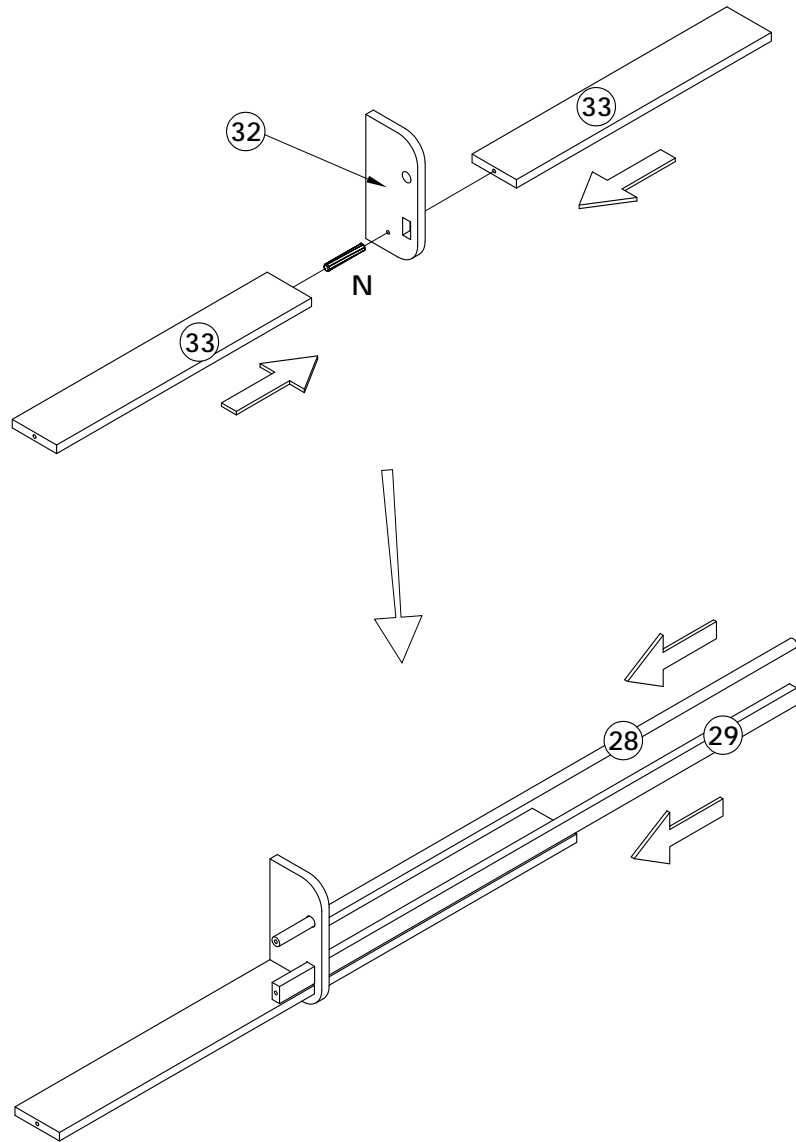


<p>E x 5</p>  <p>M6x35</p>	<p>H x 6</p>  <p>M6x15</p>	<p>J x 11</p>  <p>M6x15</p>
---	---	--

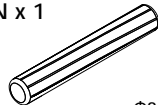
# STEP:10



# STEP:11

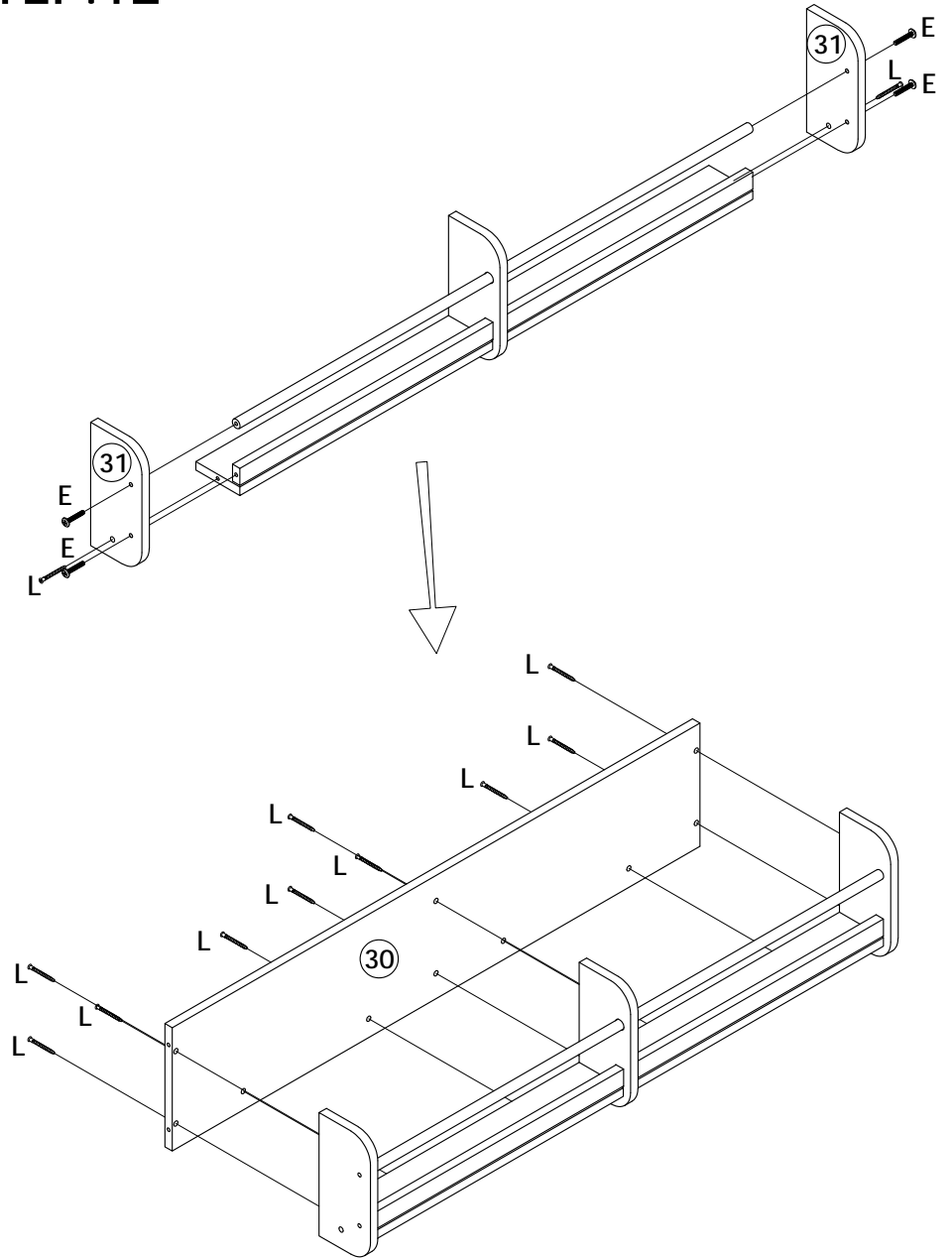


N x 1



Φ8x60

# STEP:12



E x 4



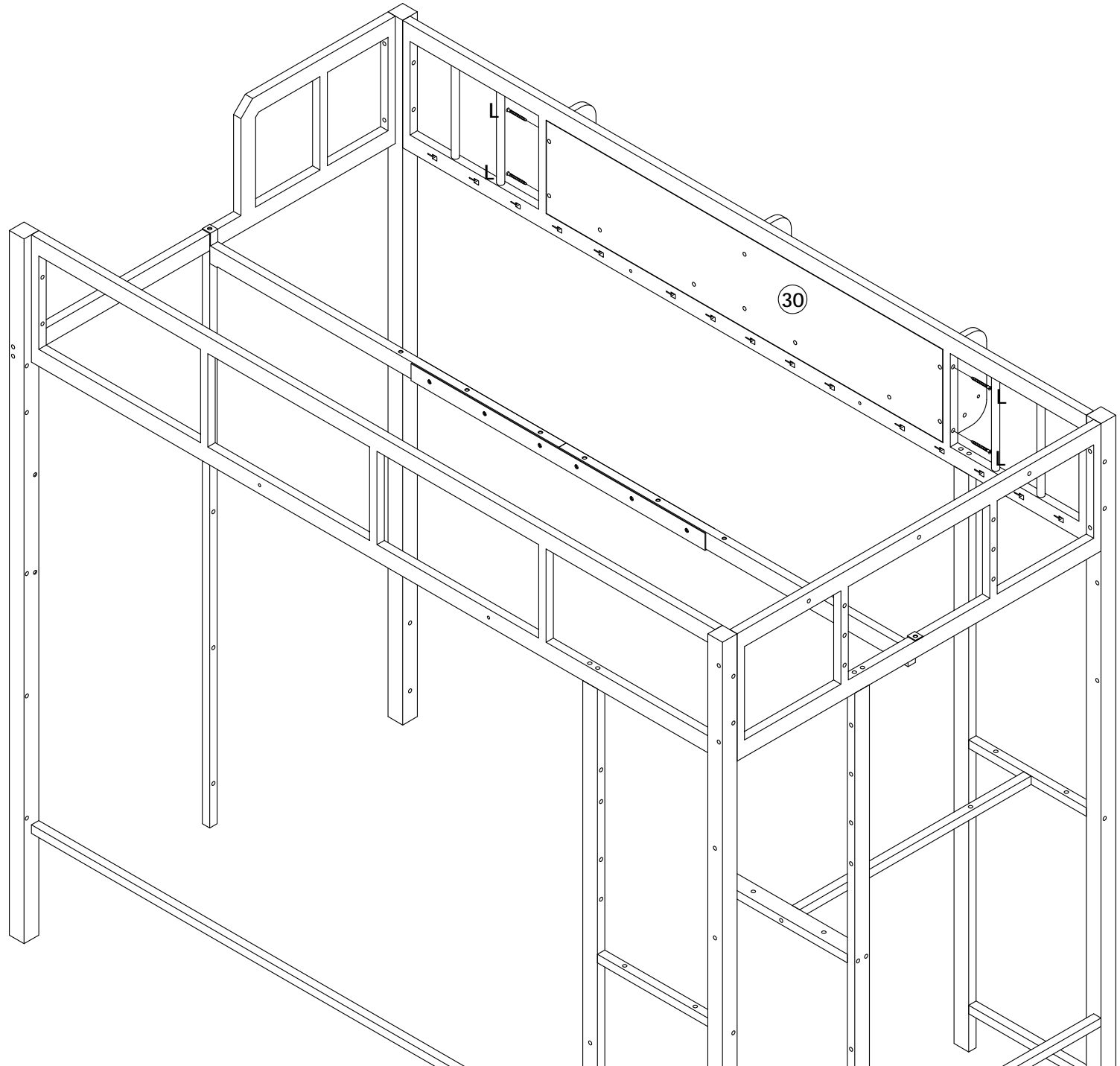
M6x35

L x 12



M7x50

# STEP:13

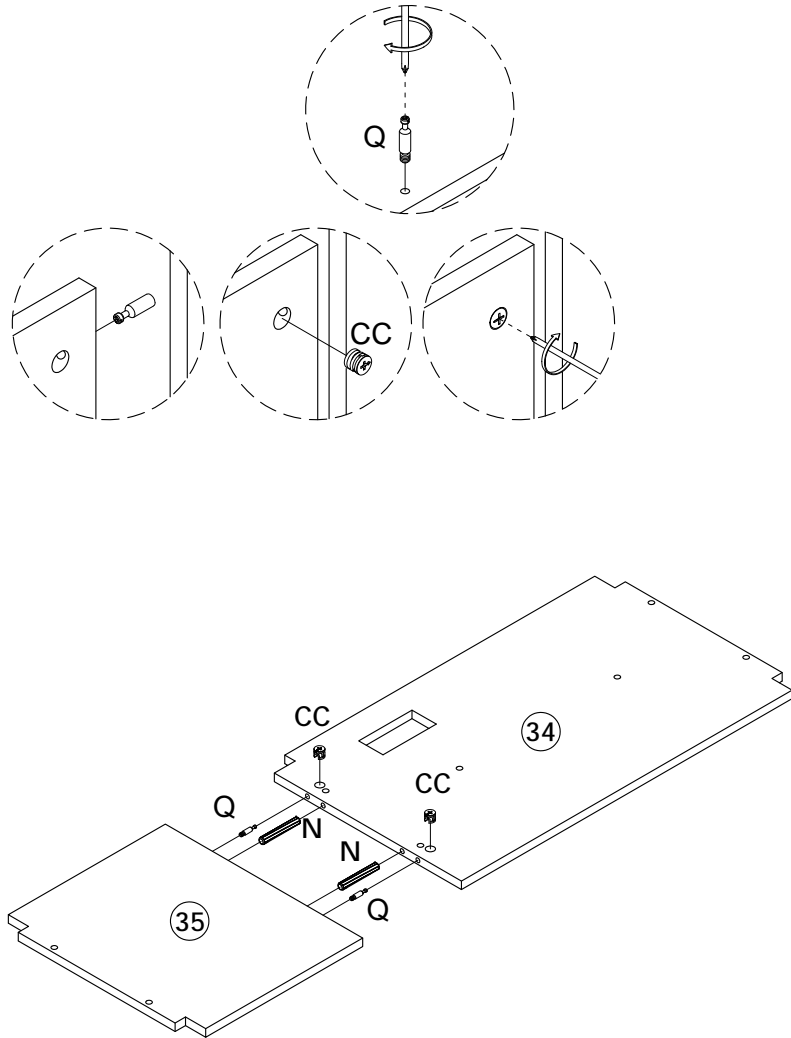


L x 4

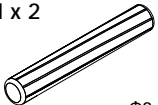


M7x50

# STEP:14



N x 2



Φ8x60

Q x 2



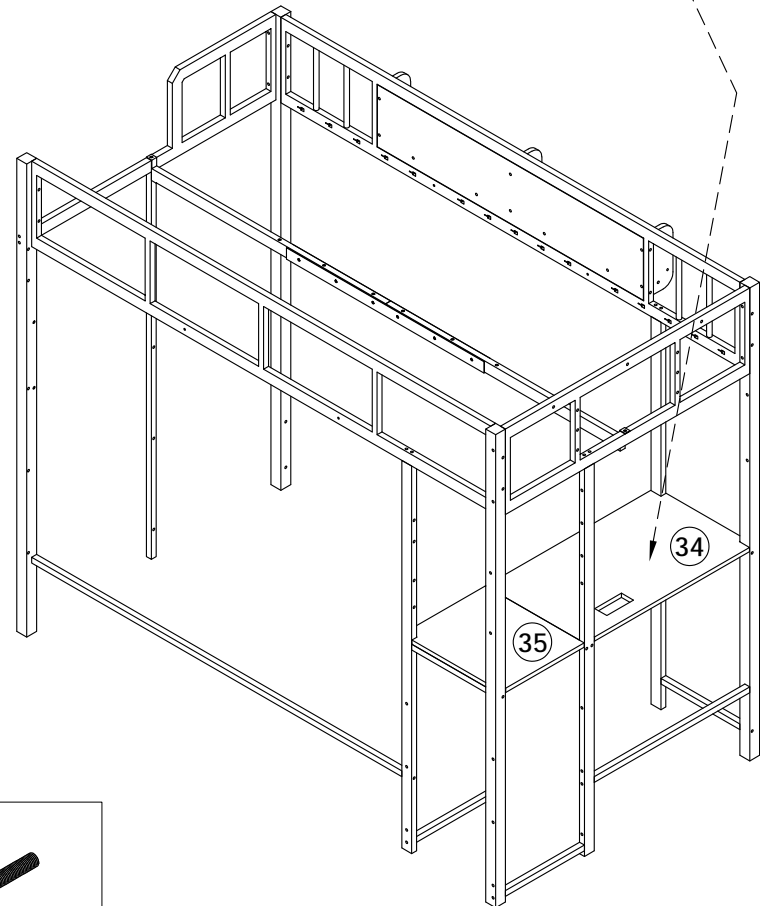
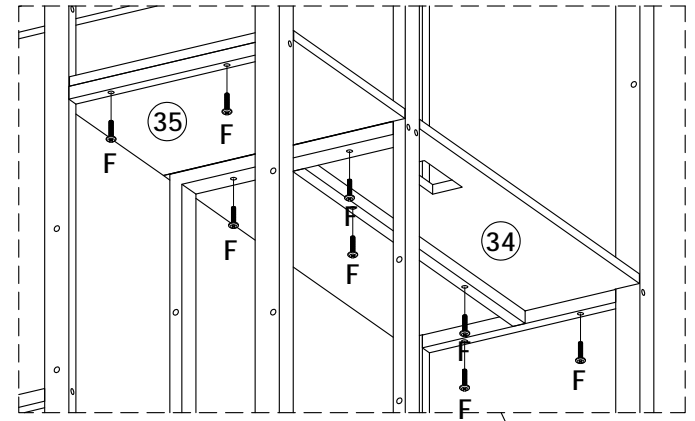
Φ6x32

CC x 2



Φ15x9

# STEP:15

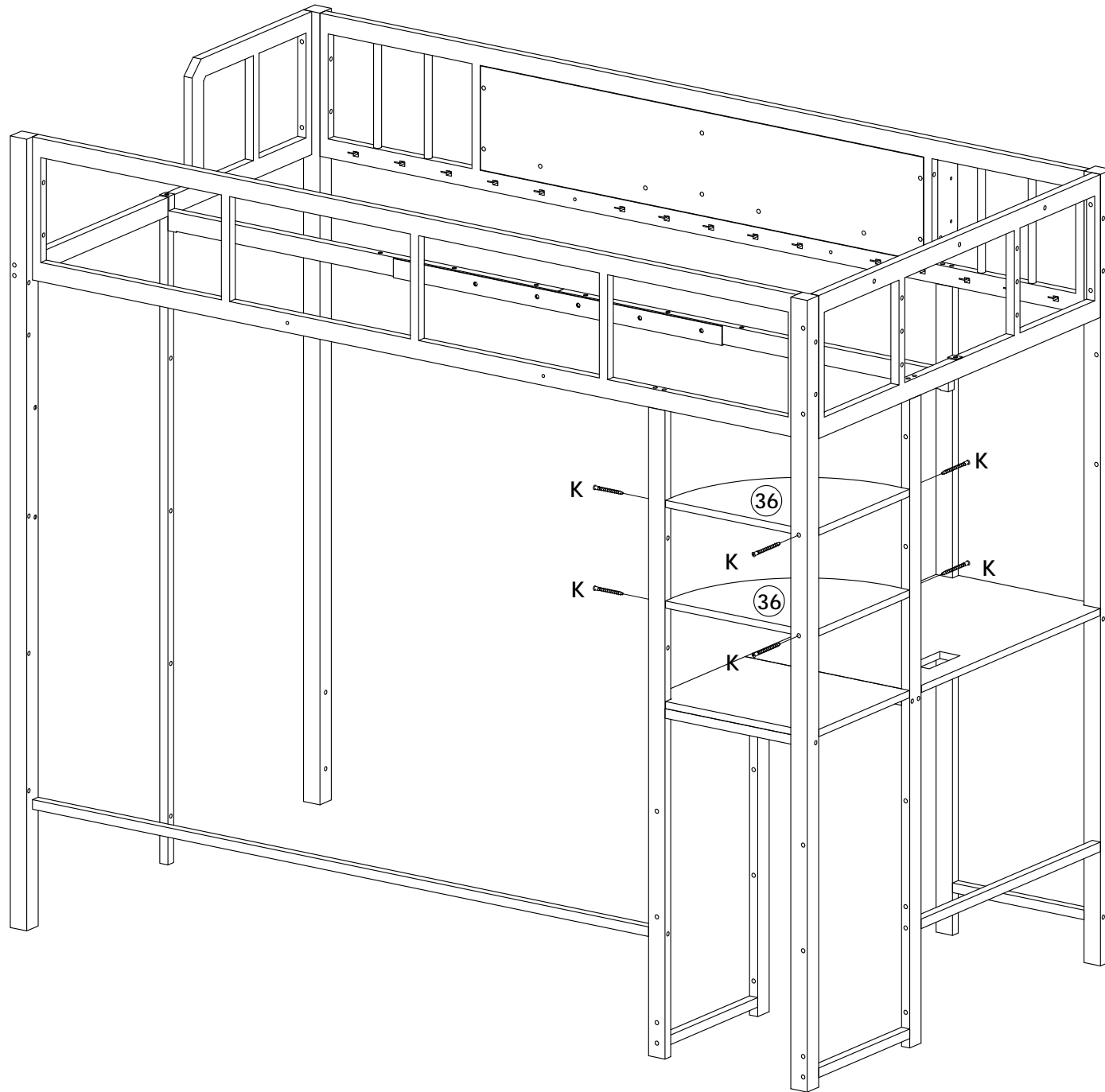


F x 8



M6x30

# STEP:16

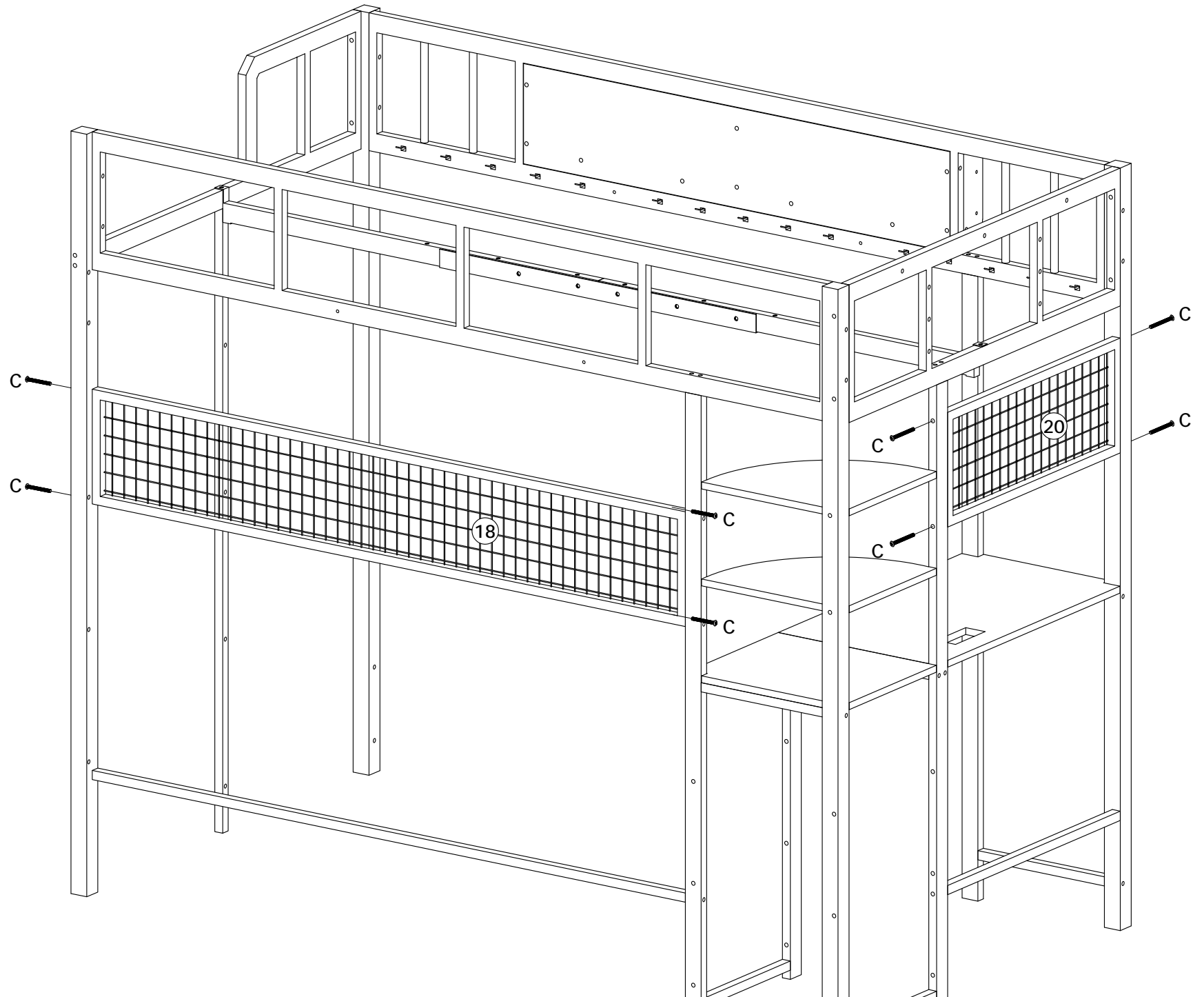


K x 6




M7x70

# STEP:17

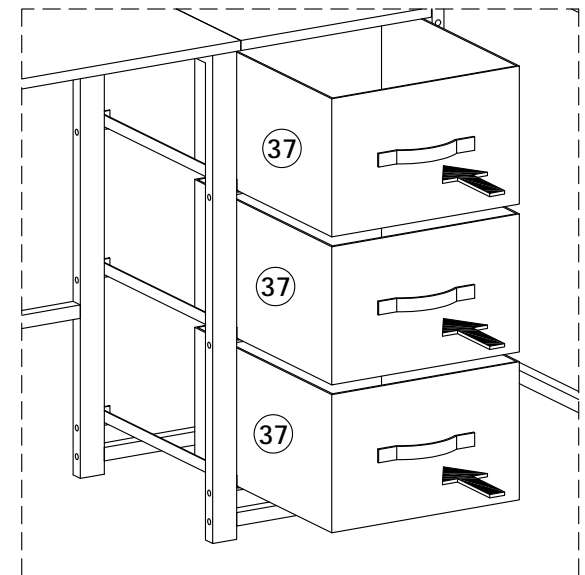
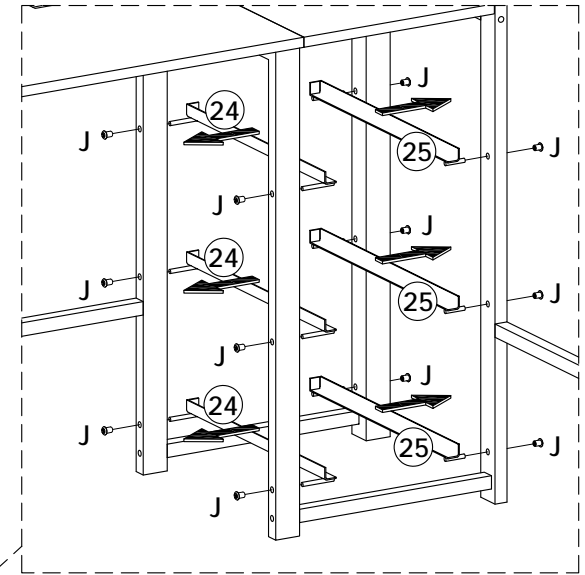
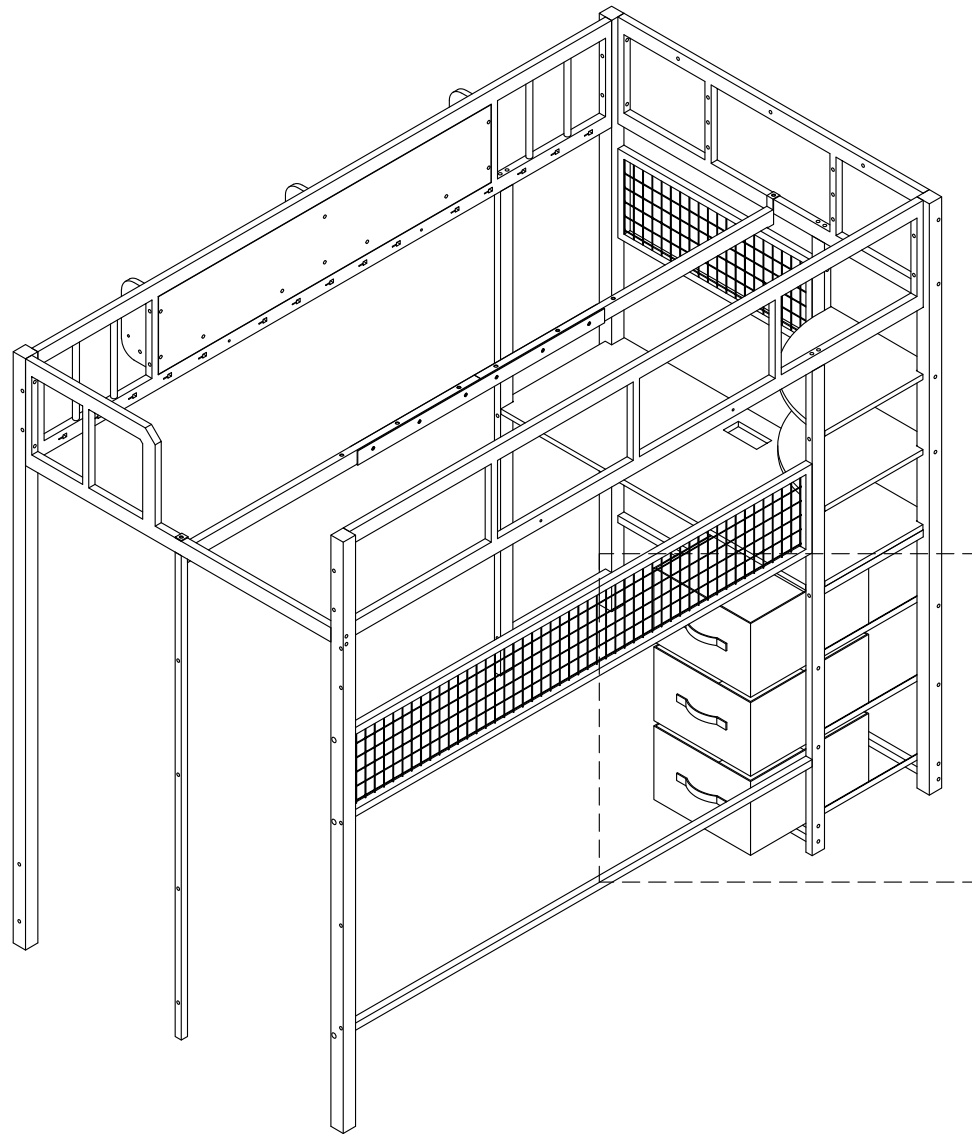


C x 8



M6x55

# STEP:18



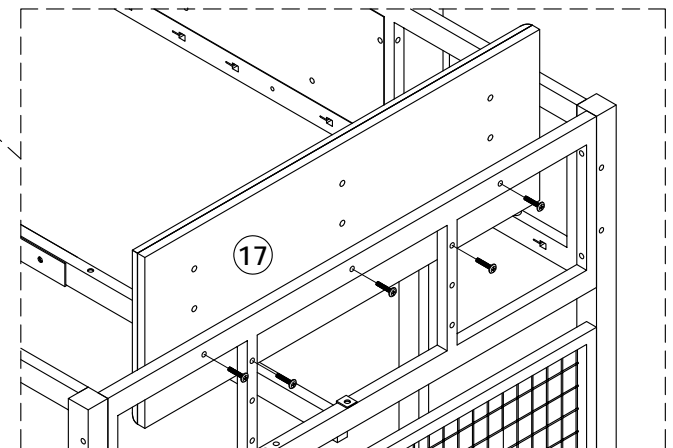
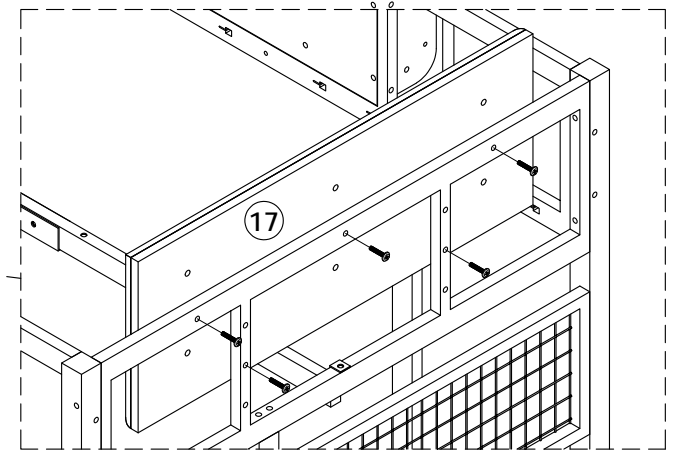
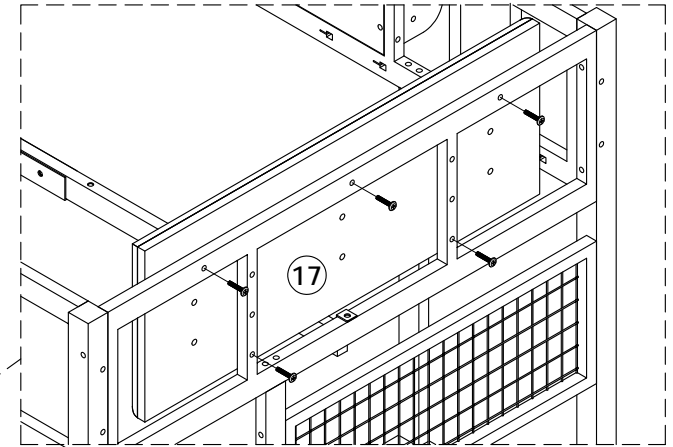
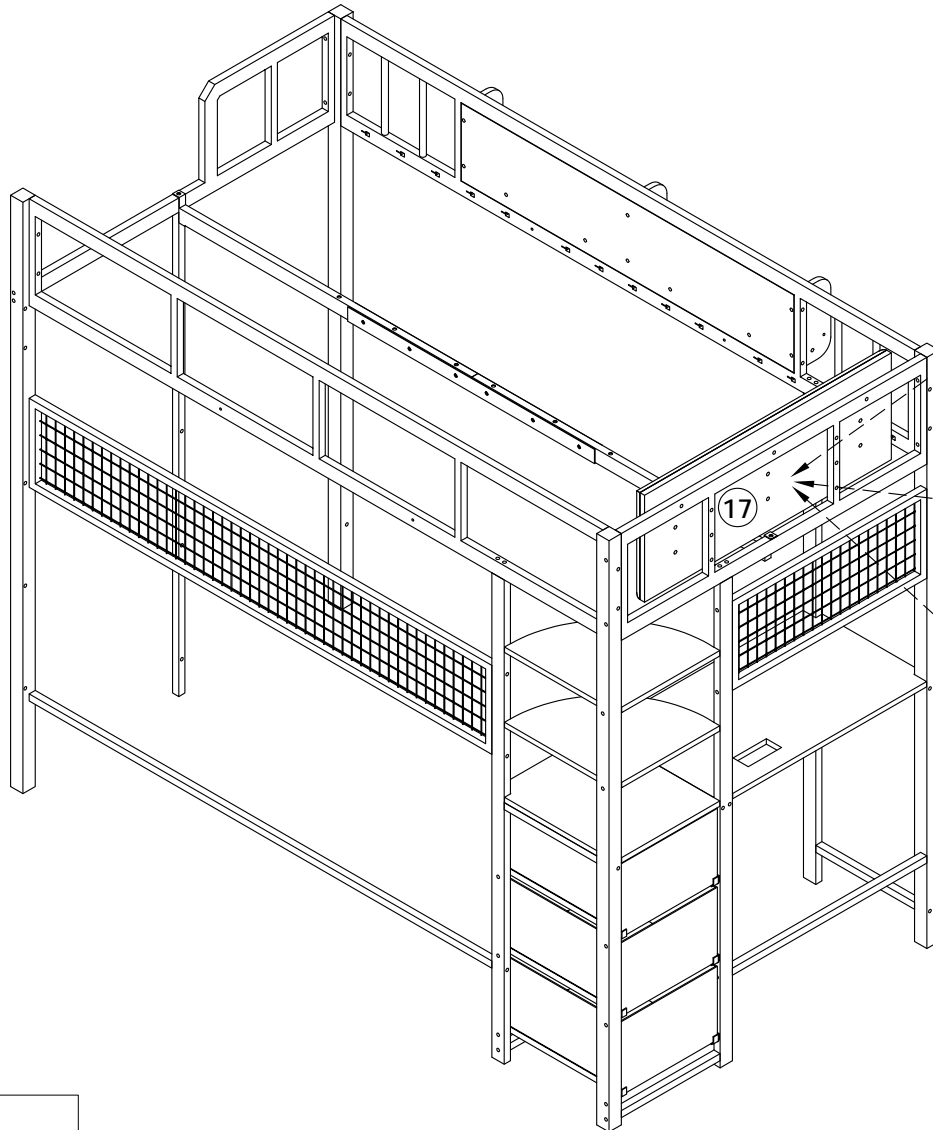
J x 12



M6x15

# STEP:19

The up-and-down position of the plate 17 can be adjusted as required.

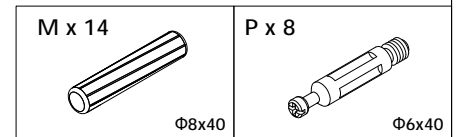
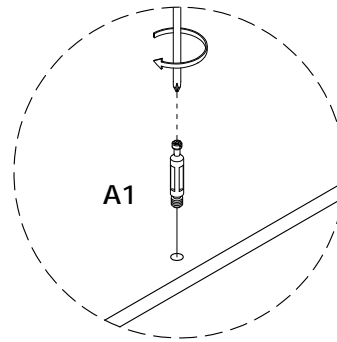
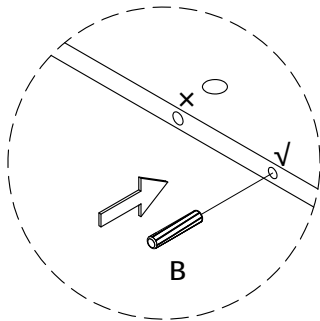
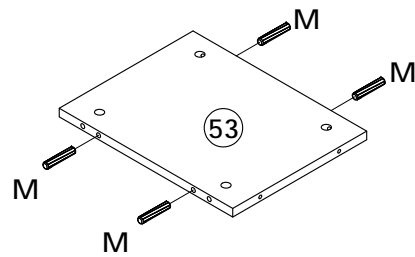
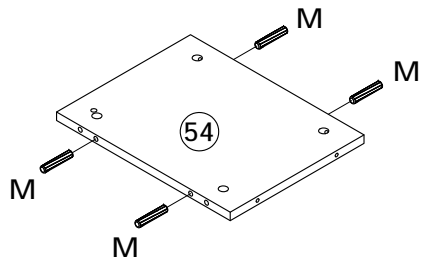
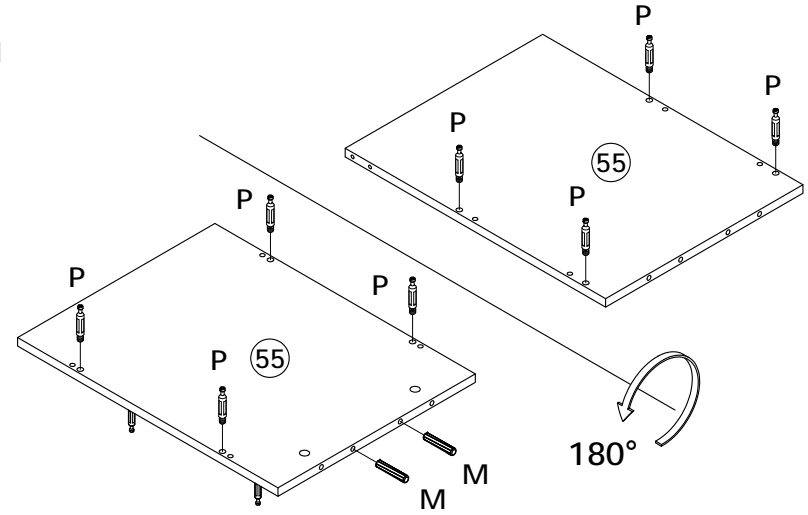
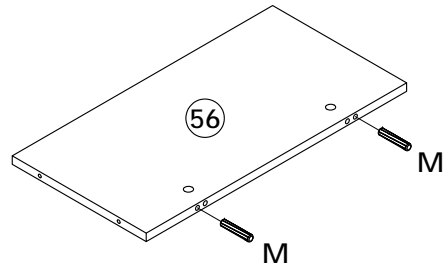
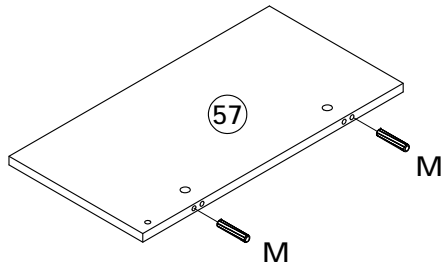


F x 5

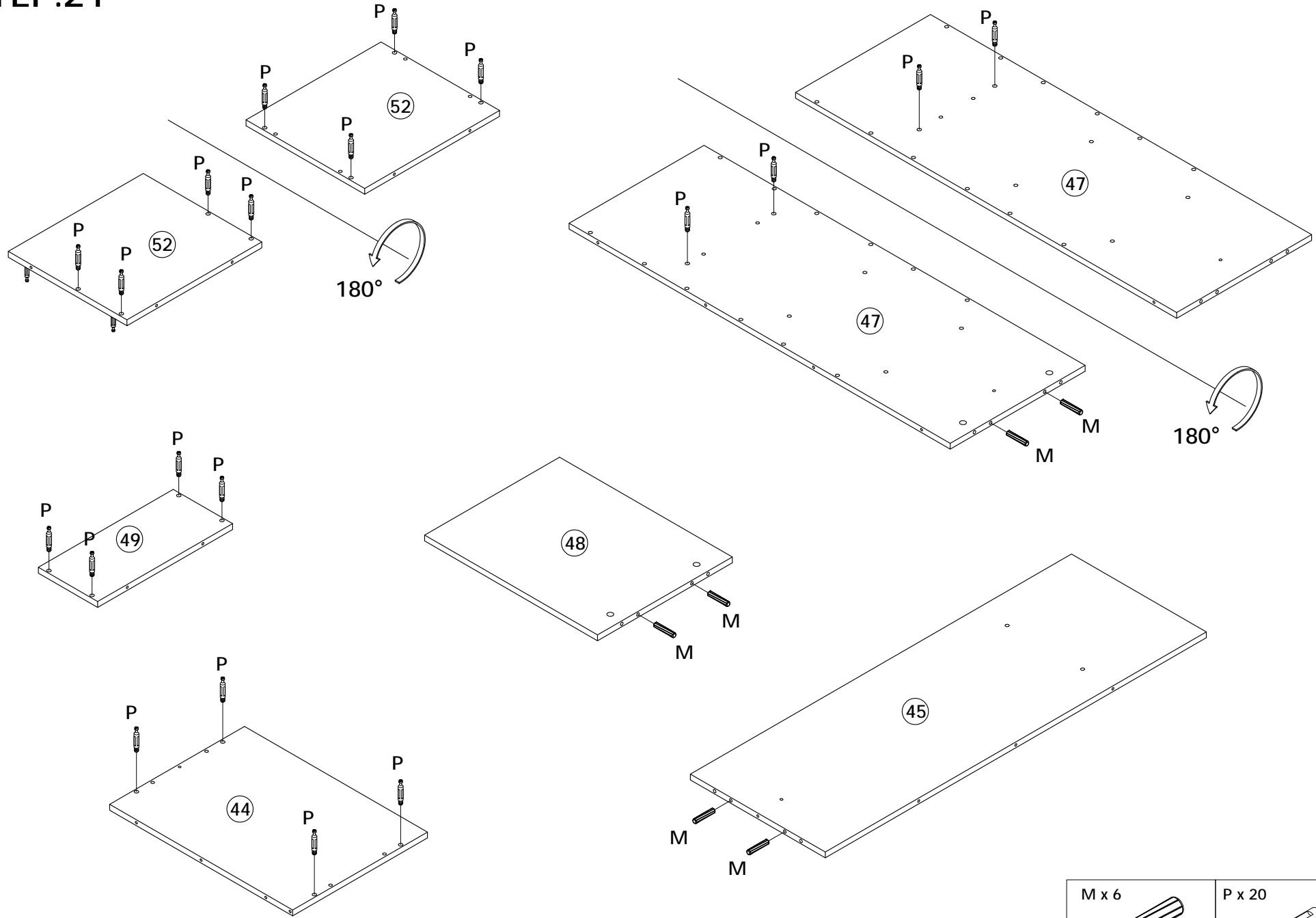


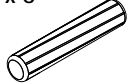
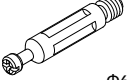
M6x30

# STEP:20

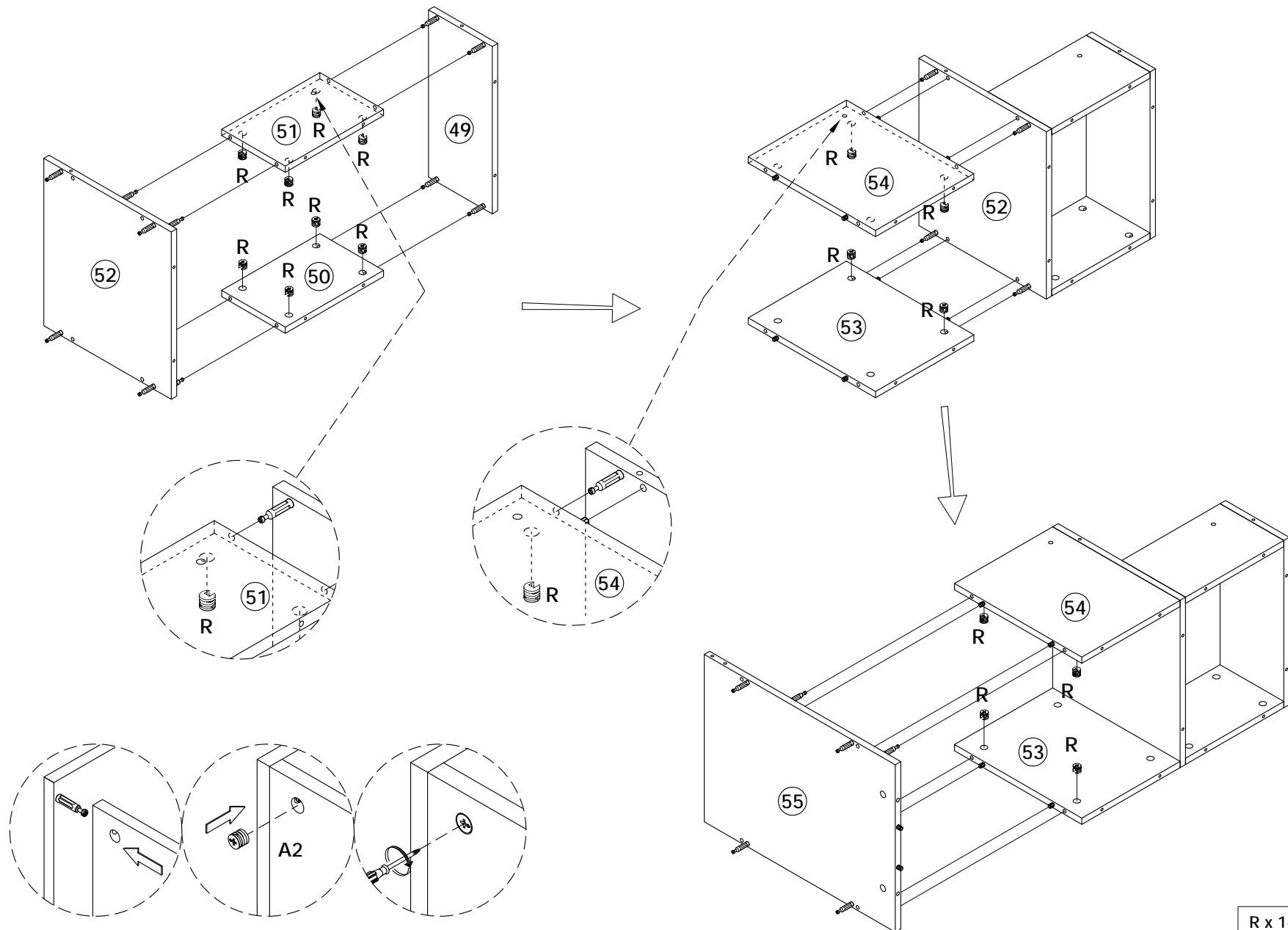


# STEP:21



M x 6	P x 20
	
Φ8x40	Φ6x40

# STEP:22

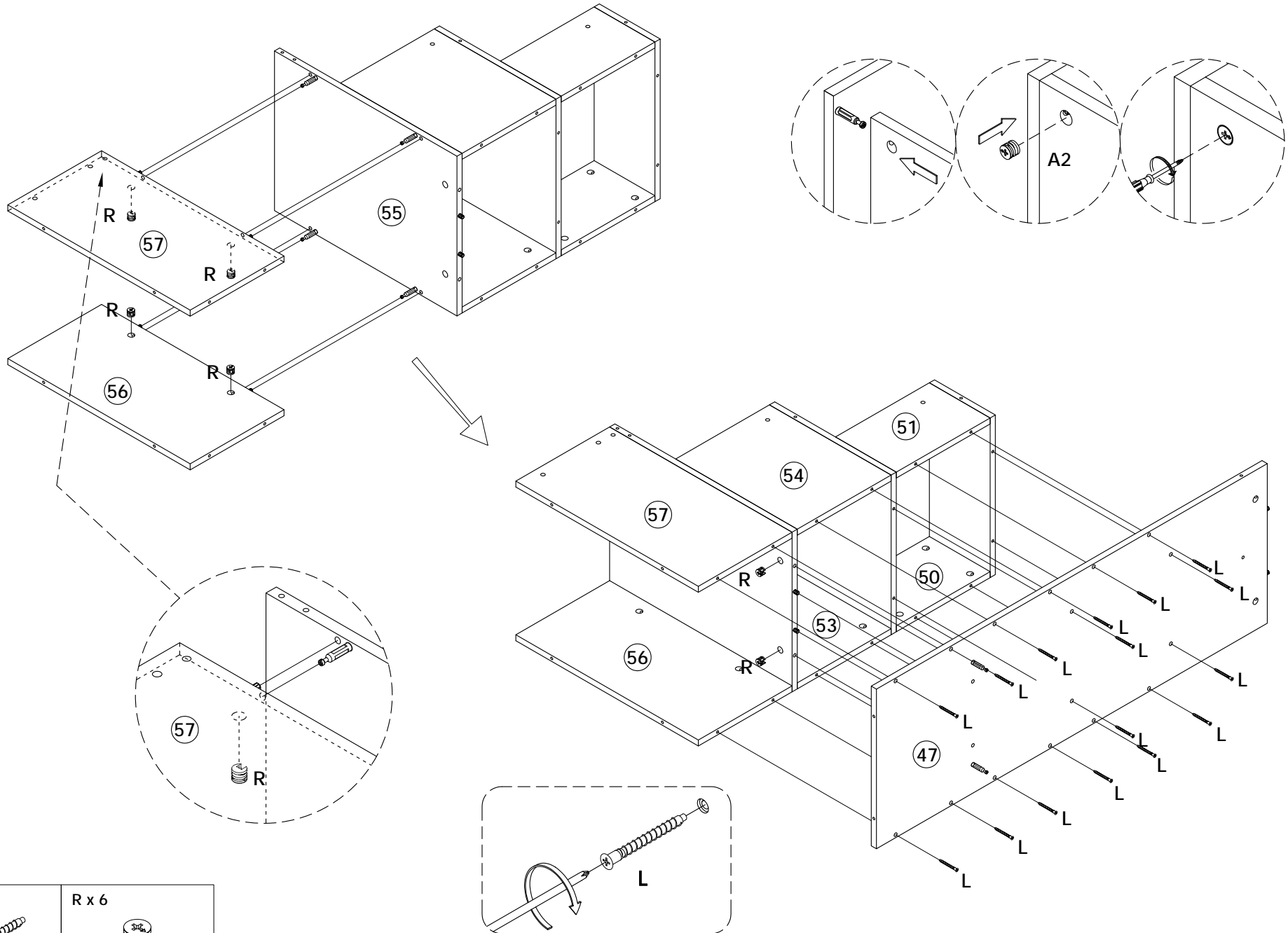


R x 16



Φ15

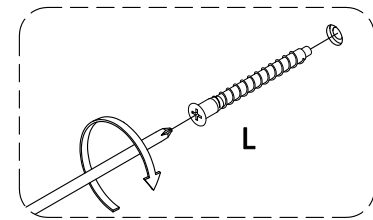
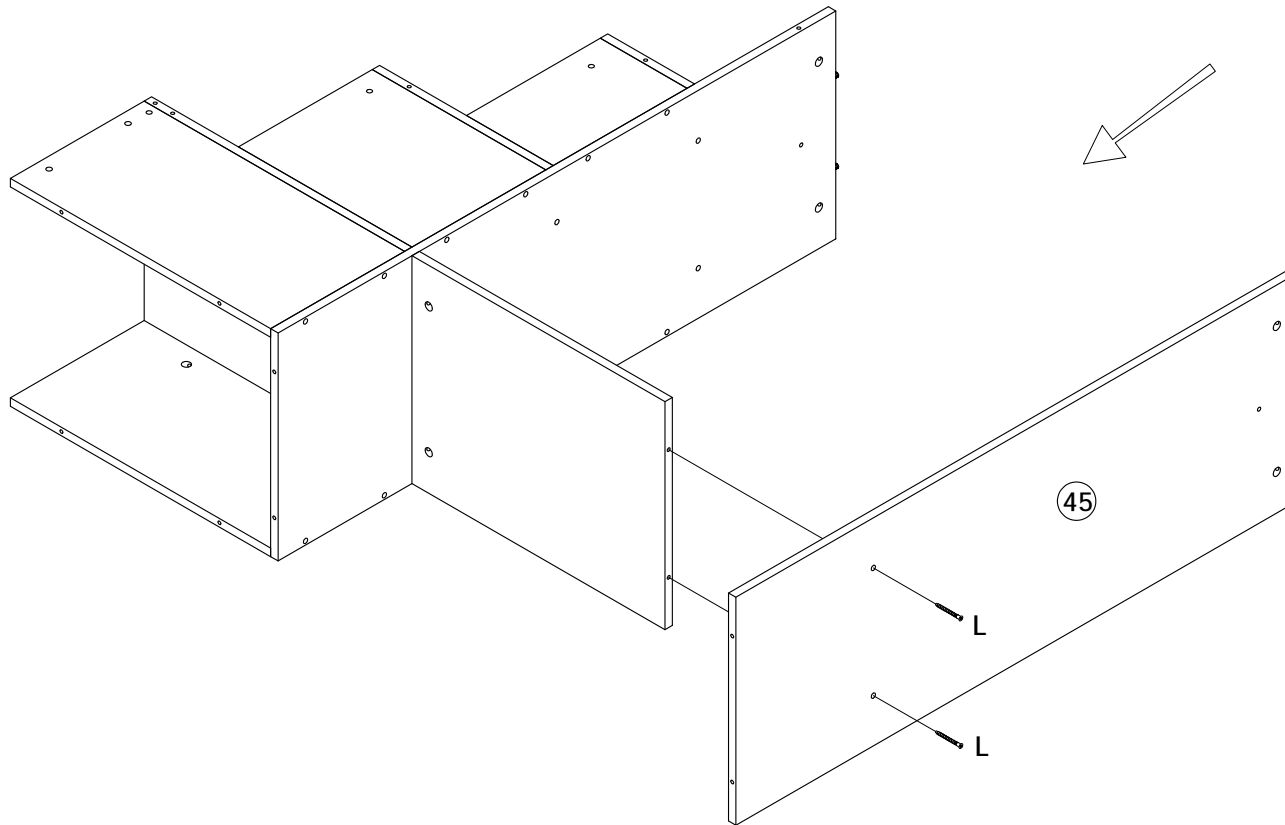
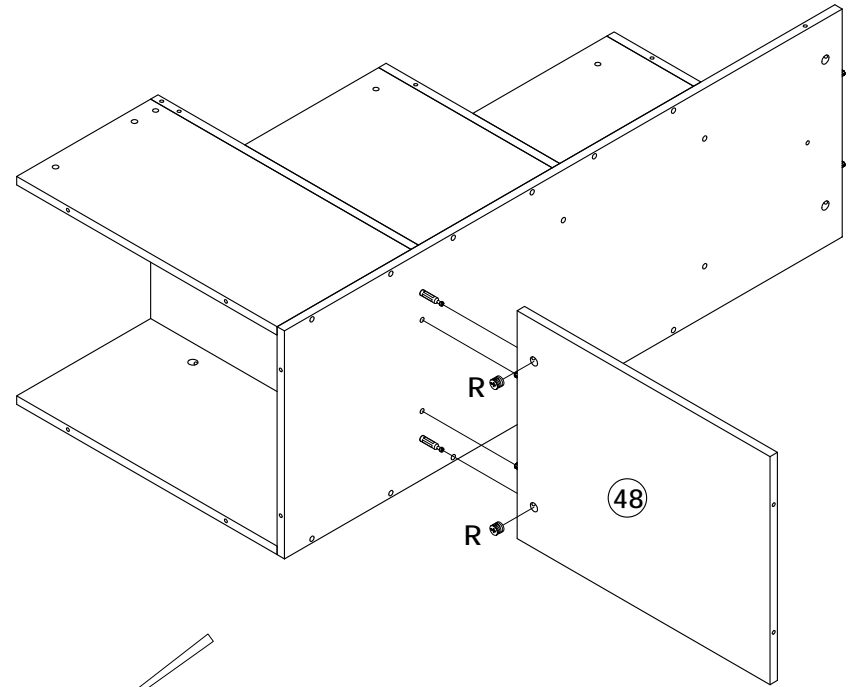
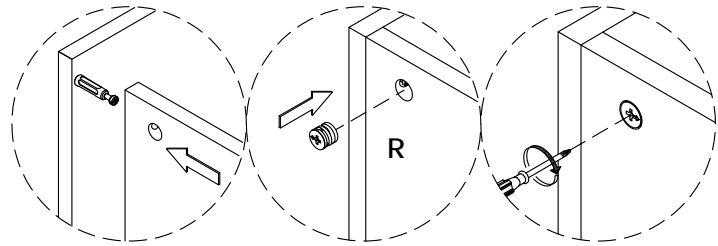
# STEP:23





L x 16  
M7x50

R x 6  
Φ15

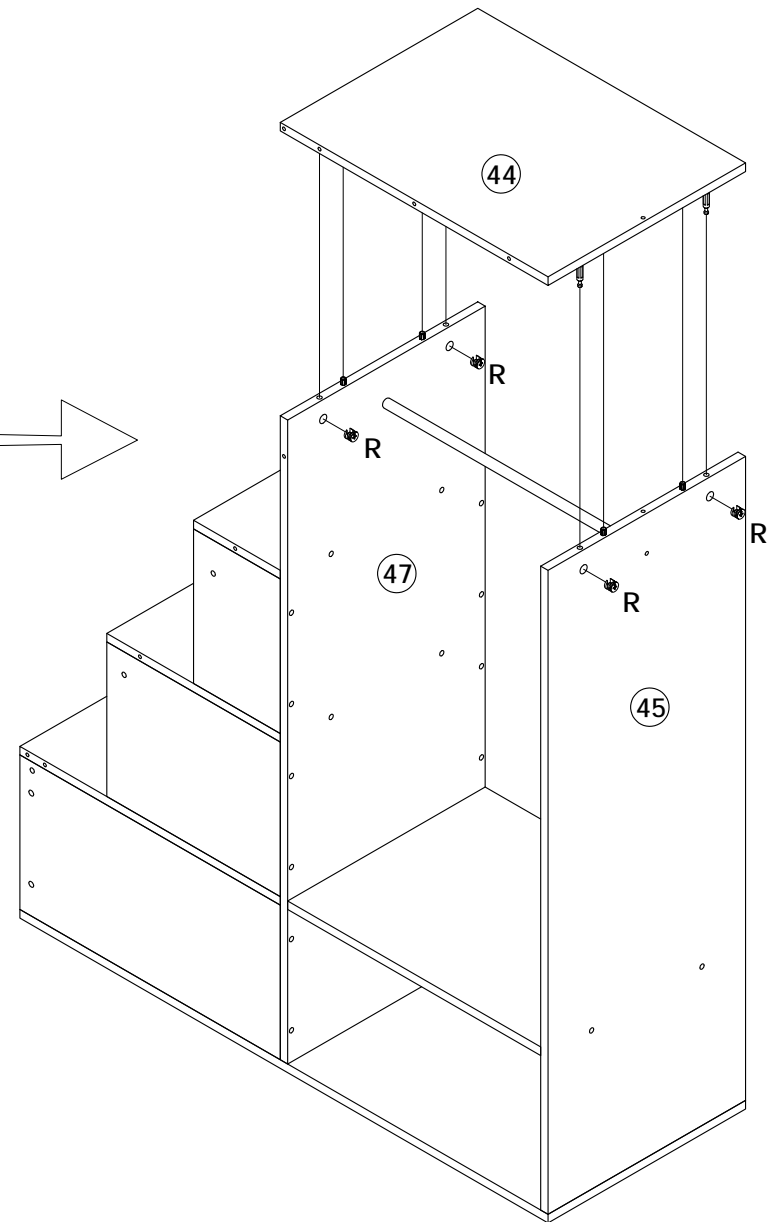
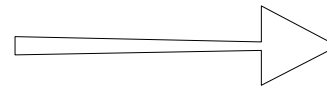
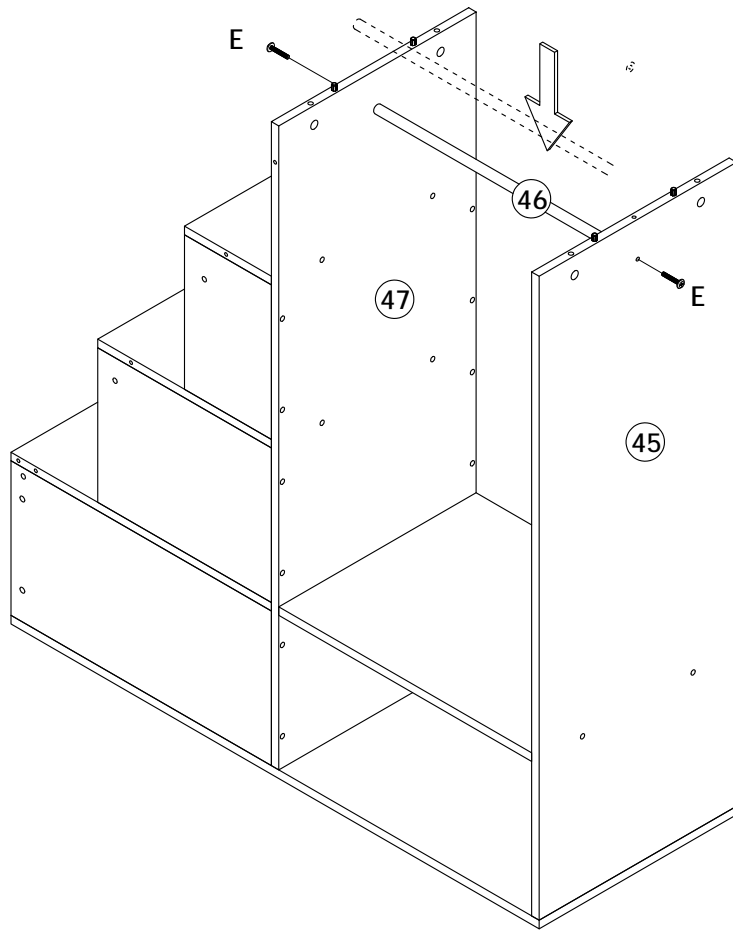
# STEP:24



L x 2  M7x50	R x 2  Φ15
---	---



# STEP:26



E x 2



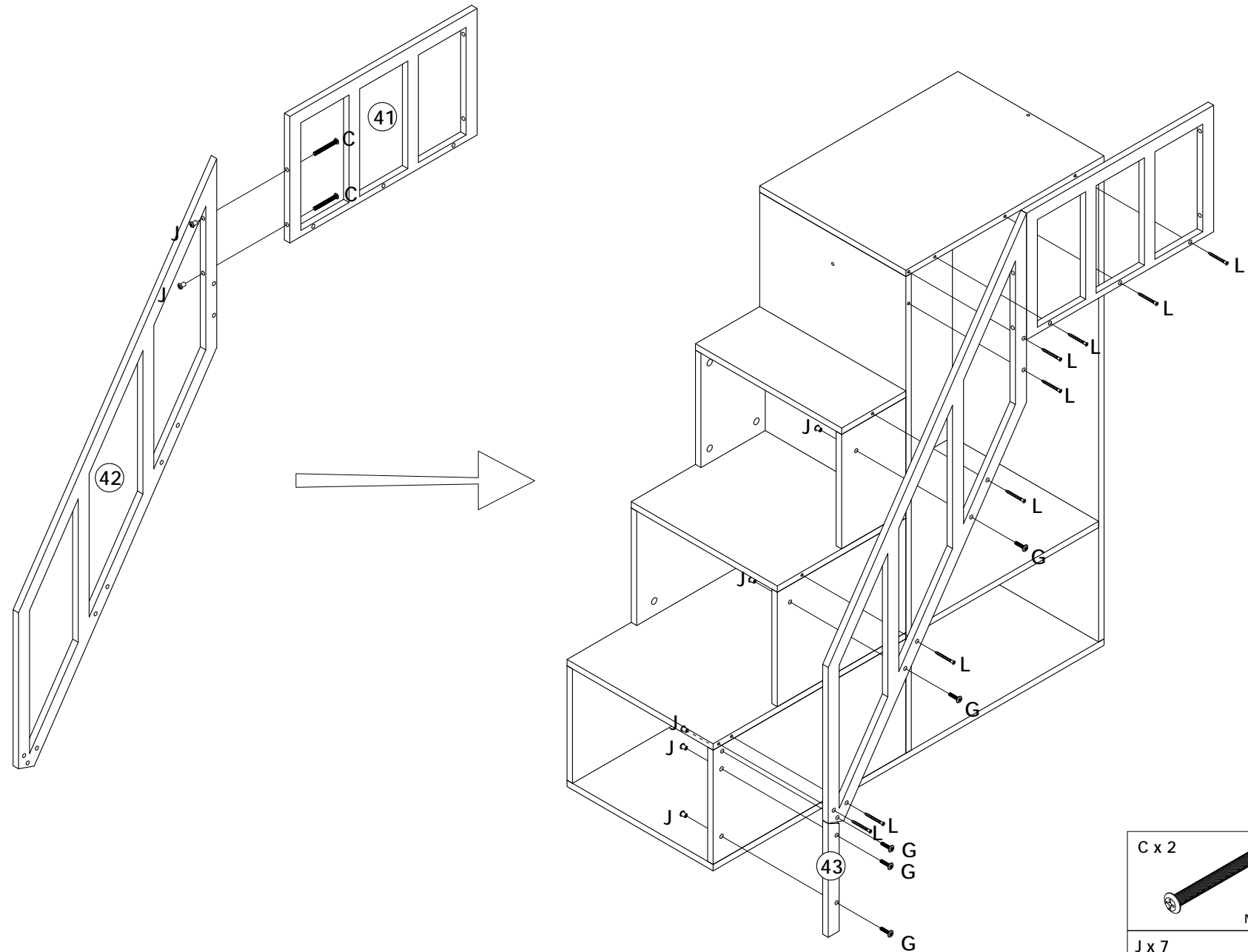
M6x35





R x 4



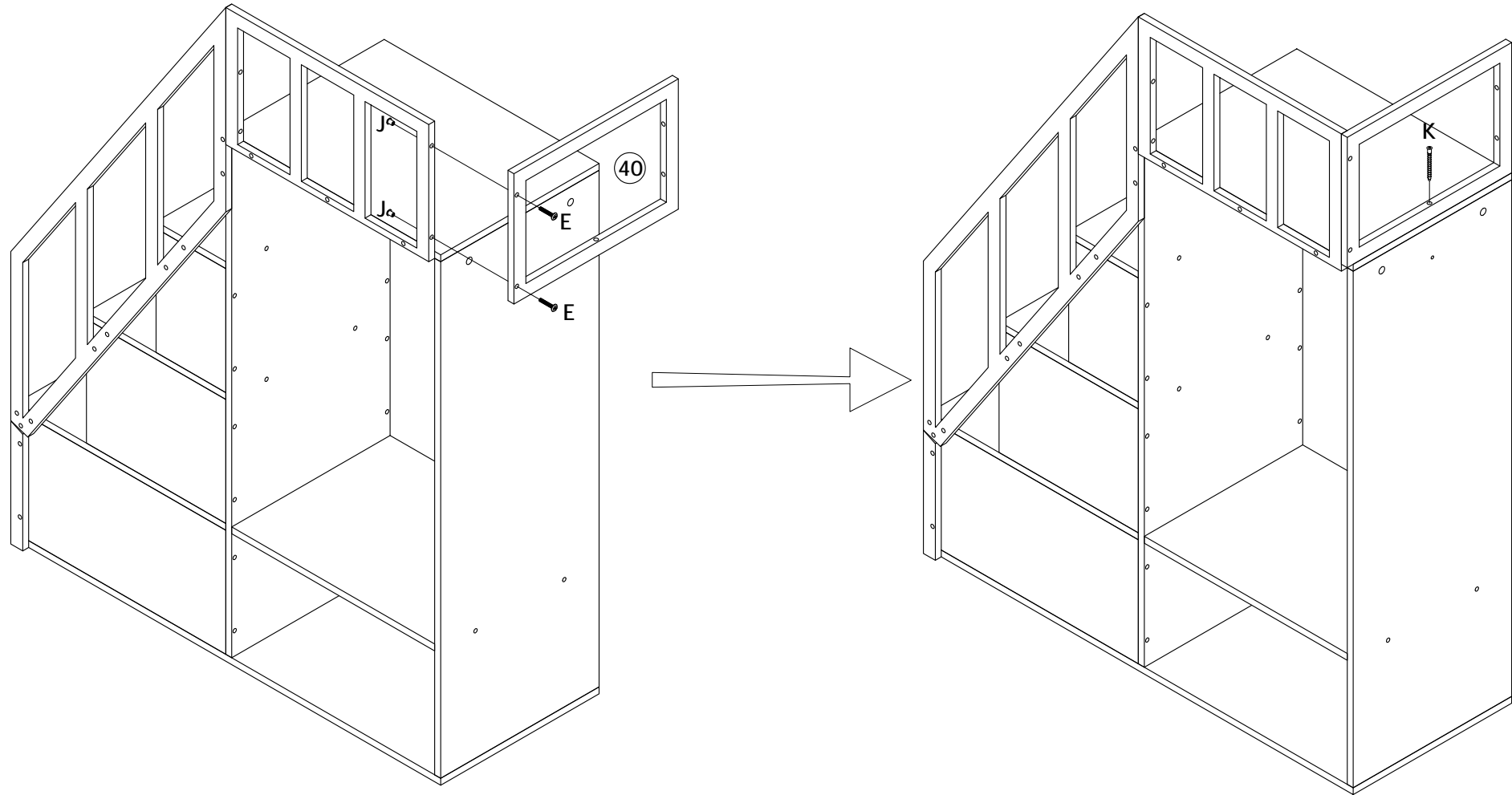
Φ15



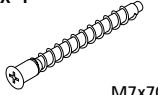
# STEP:27



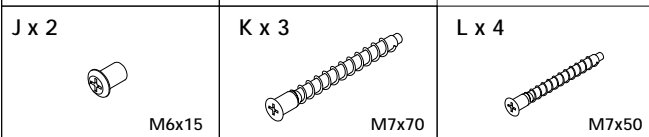
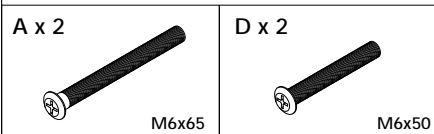
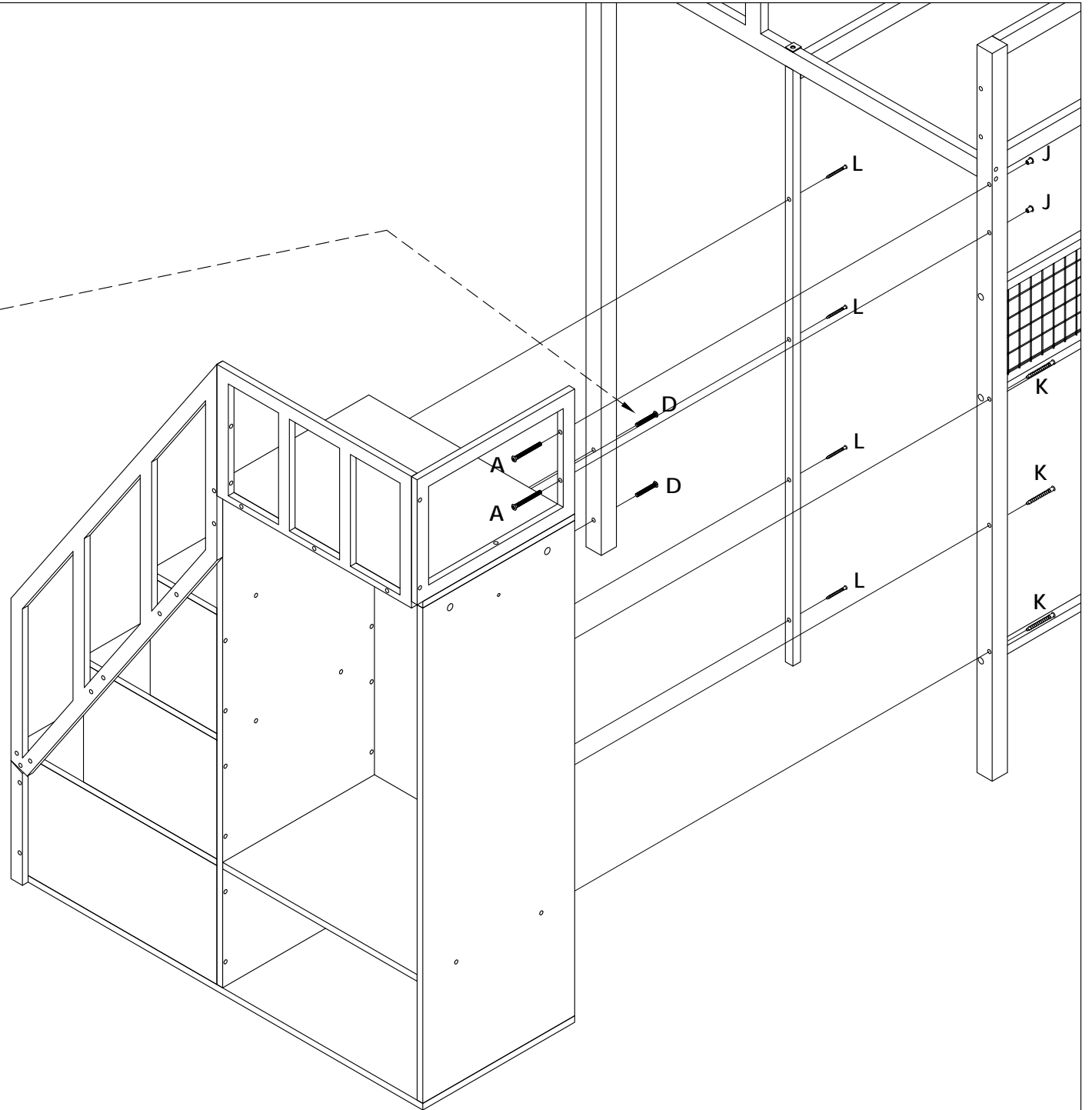
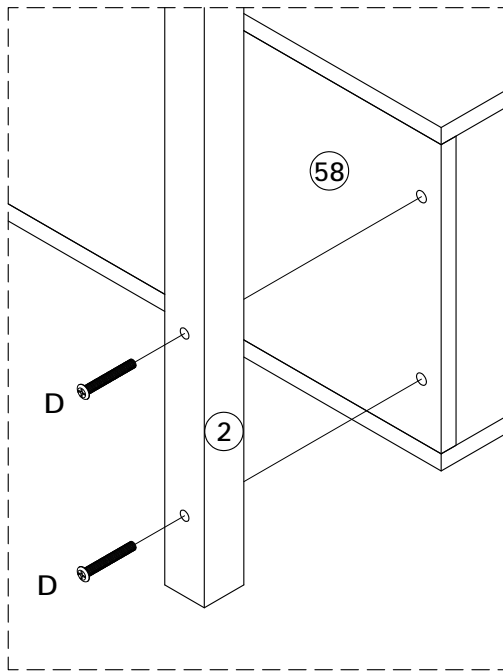
C x 2  M6x55	G x 5  M6x25
J x 7  M6x15	L x 9  M7x50

# STEP:28

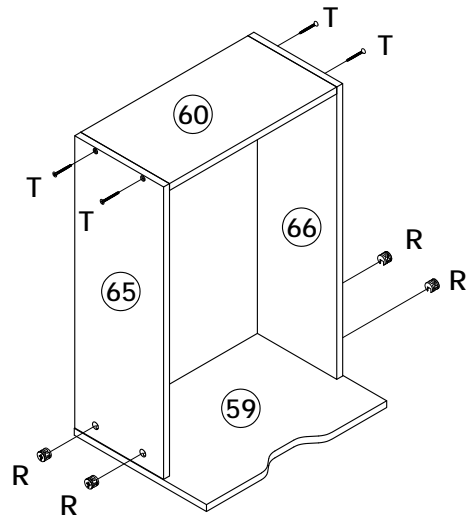
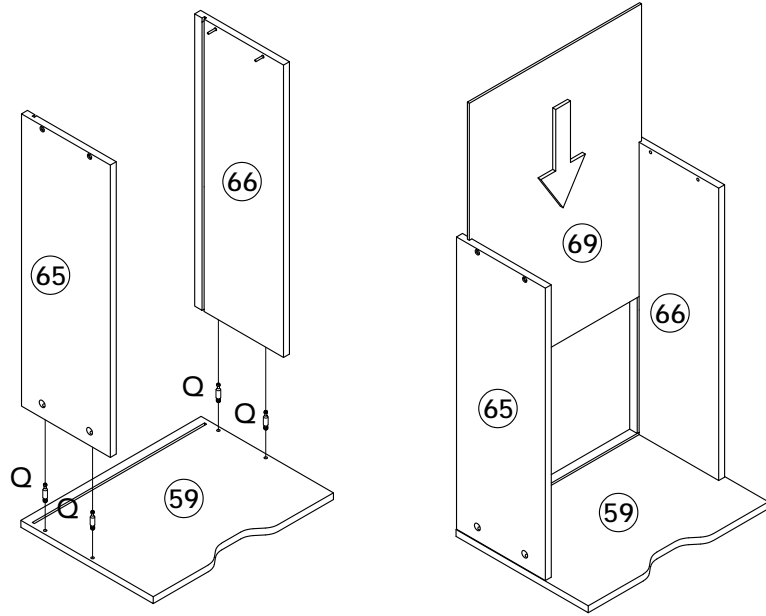





E x 2  M6x35	J x 2  M6x15	K x 1  M7x70
---	---	---

# STEP:29

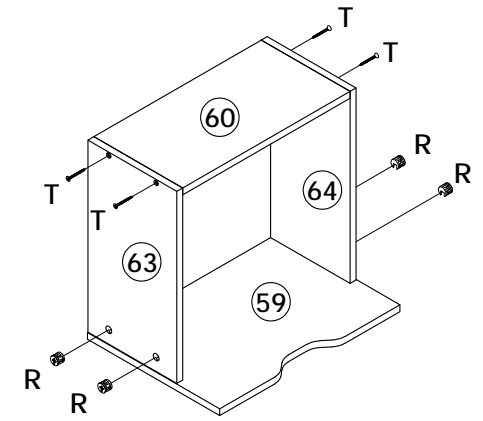
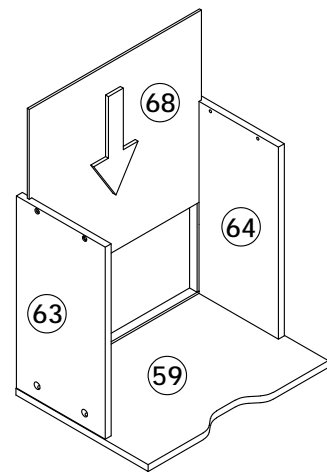
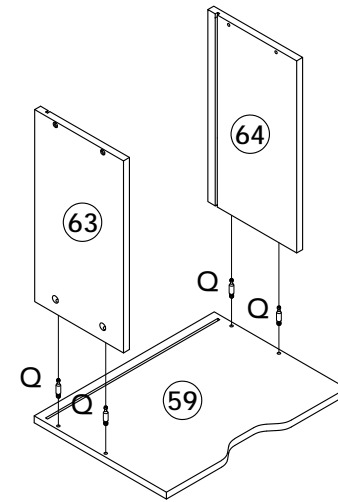





# STEP:30



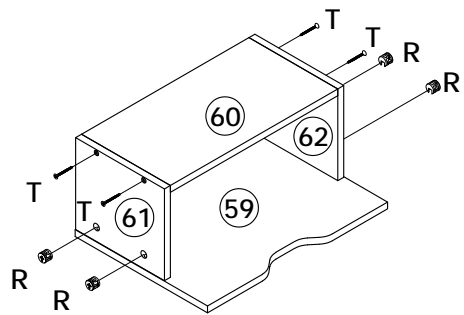
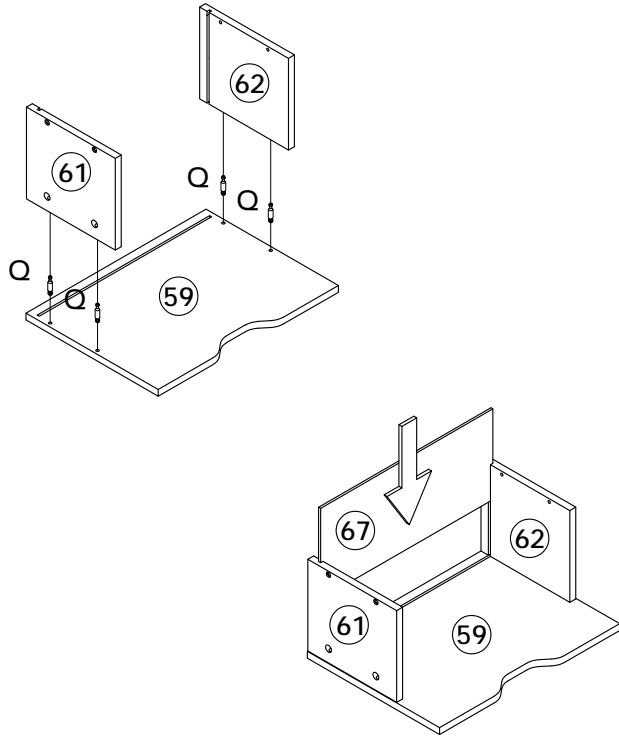
Q x 4		Φ6x32
R x 4		Φ15
T x 4		Φ3.5x40

# STEP:31



Q x 4		Φ6x32
R x 4		Φ15
T x 4		Φ3.5x40

# STEP:32



Q x 4



Φ6x32

R x 4



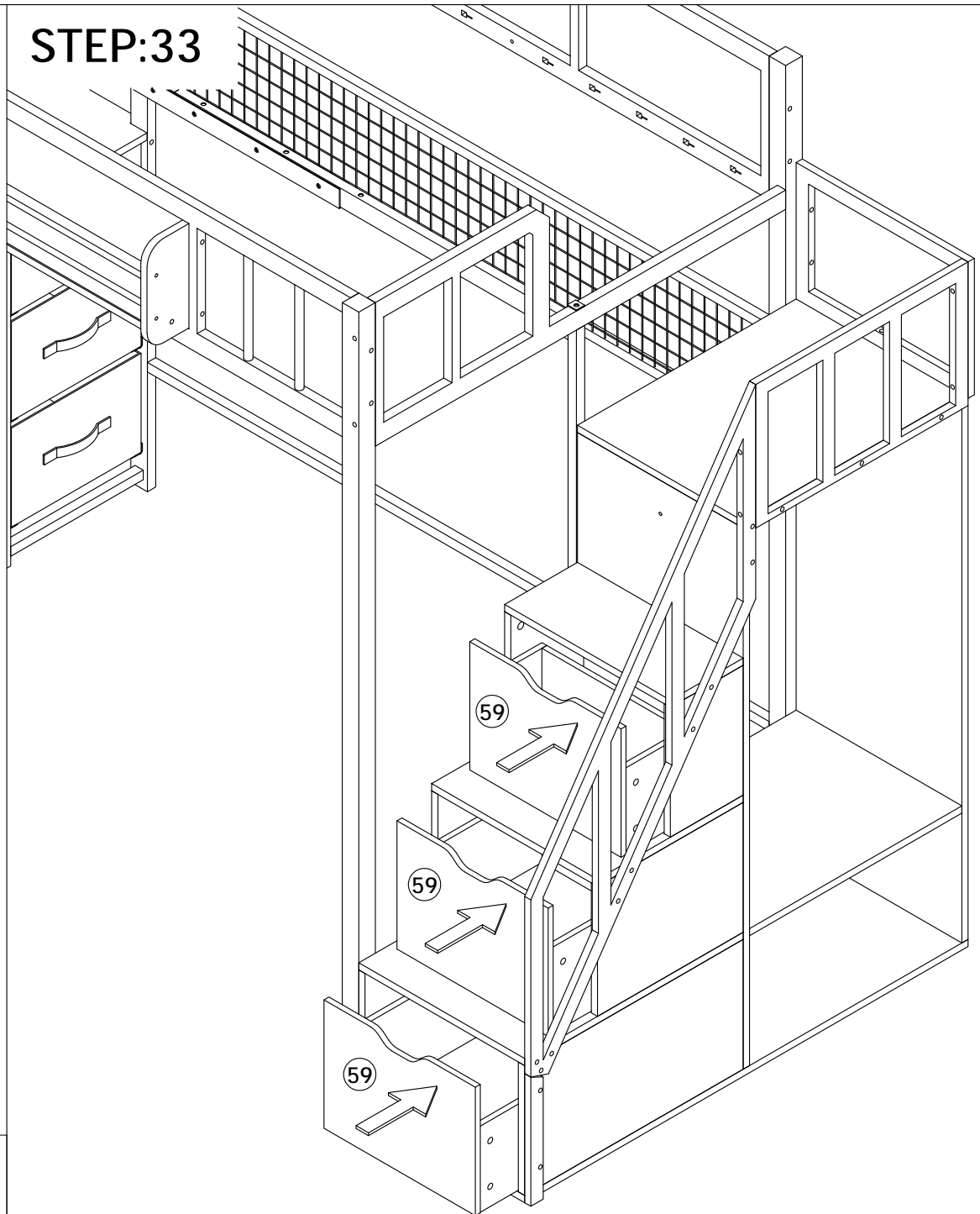
Φ15

T x 4

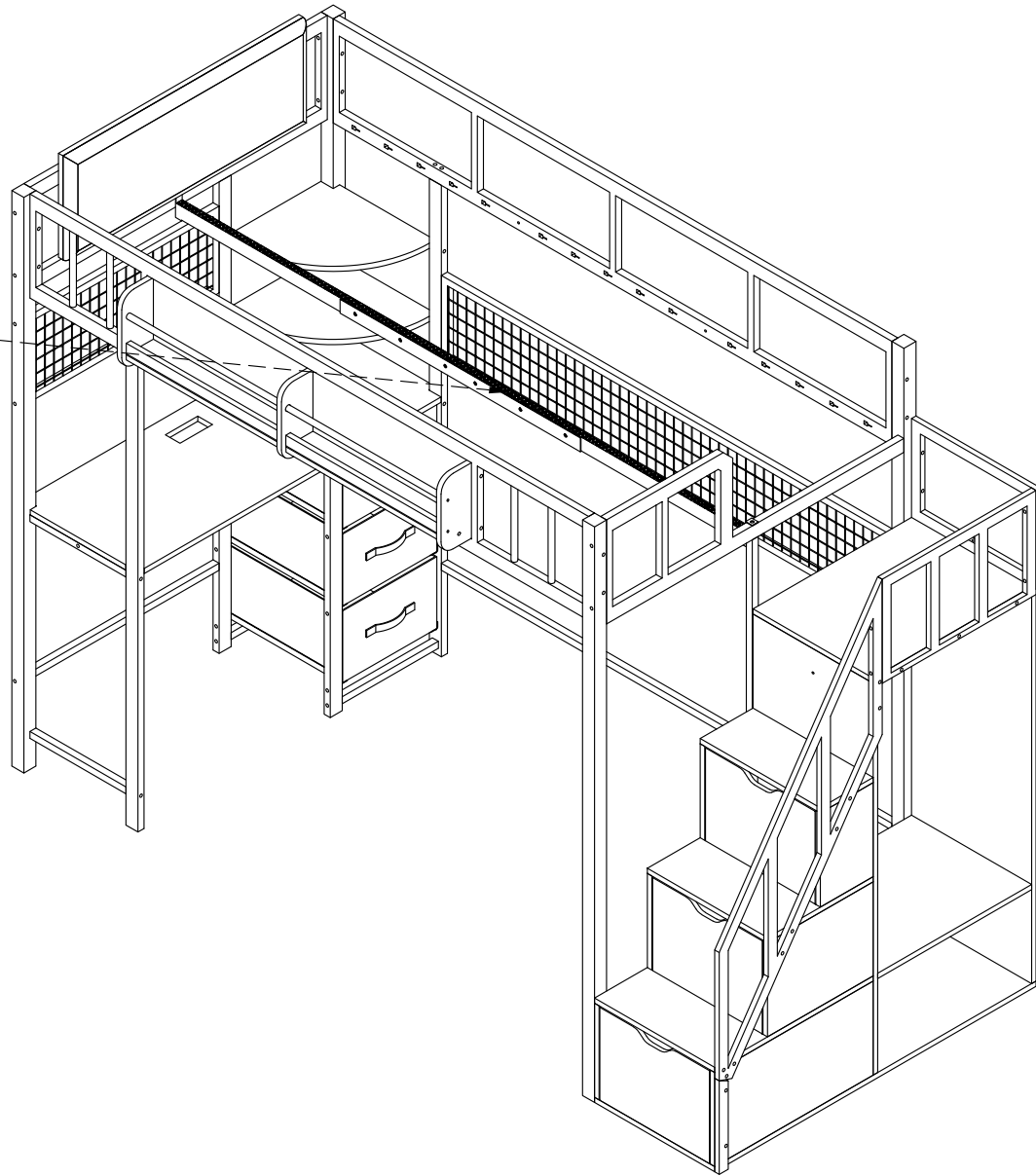
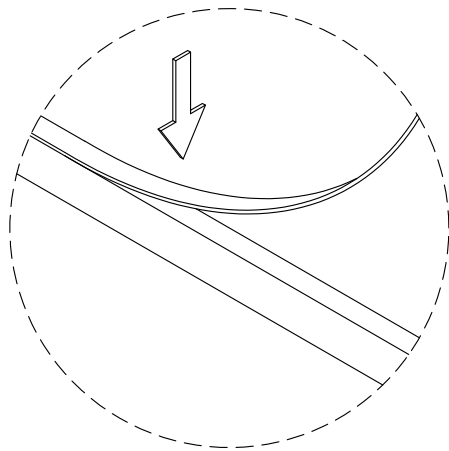
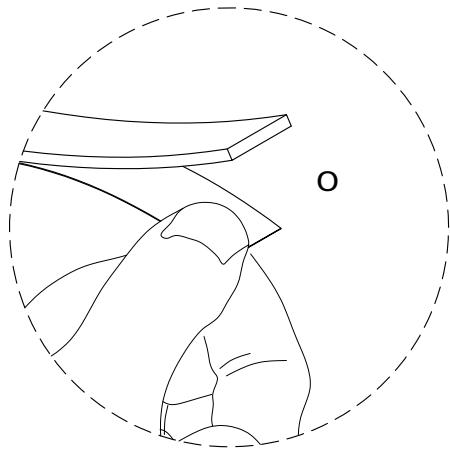


Φ3.5x40

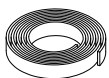
# STEP:33



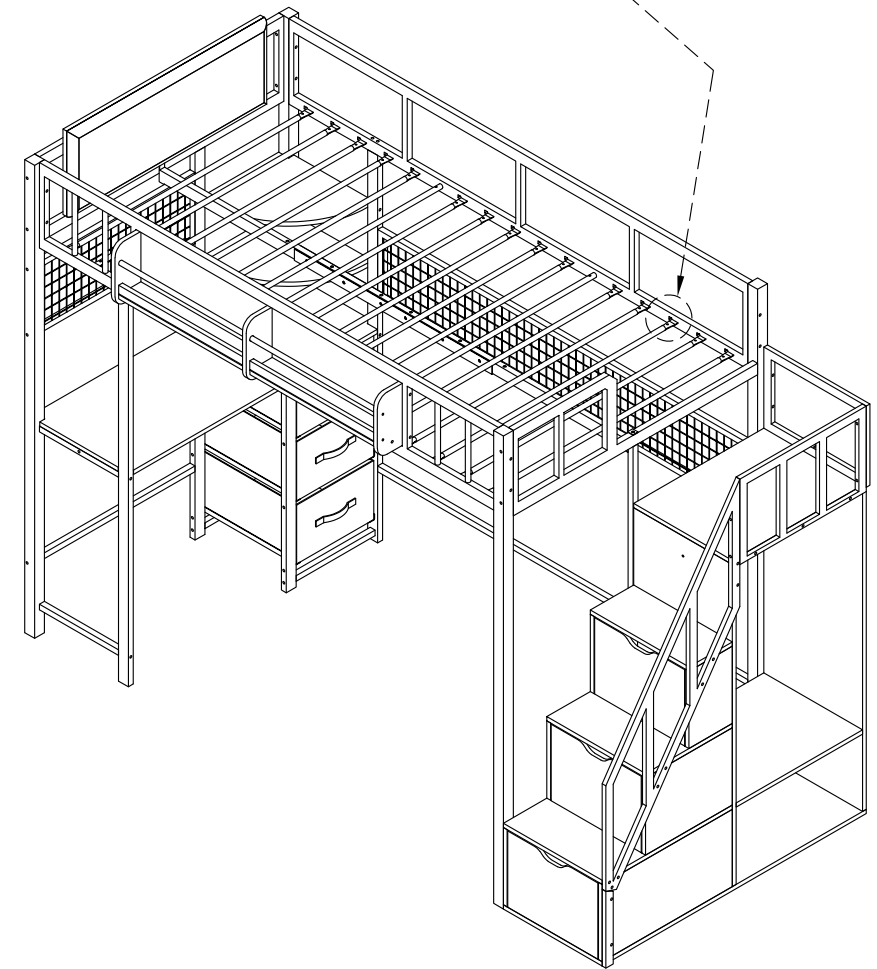
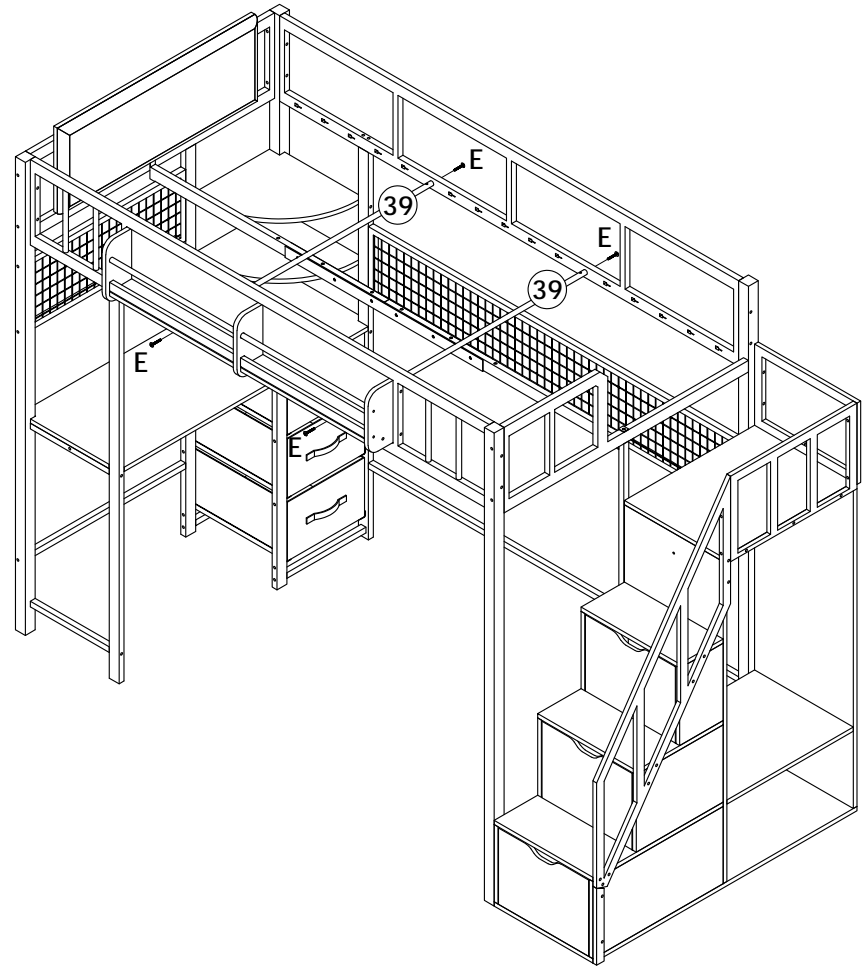
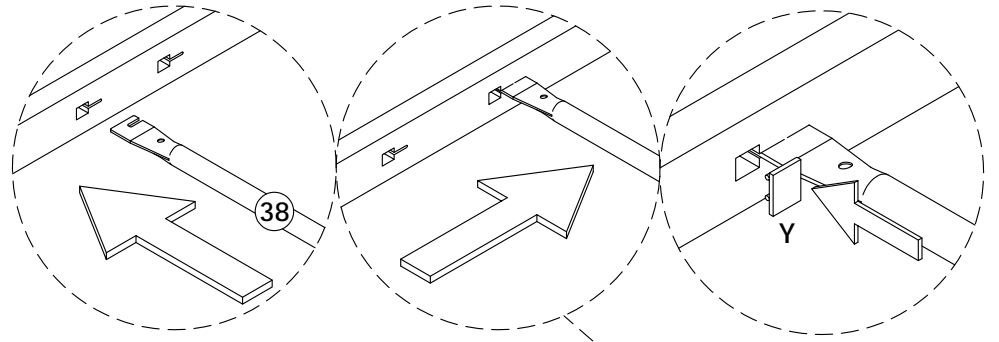
# STEP:34


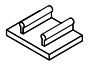


O x 1

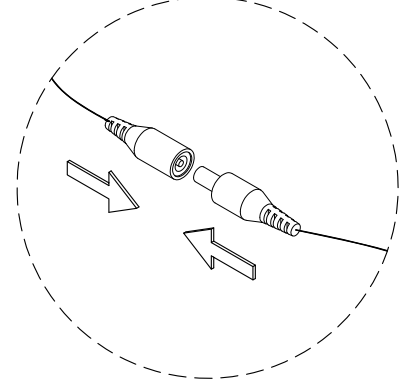
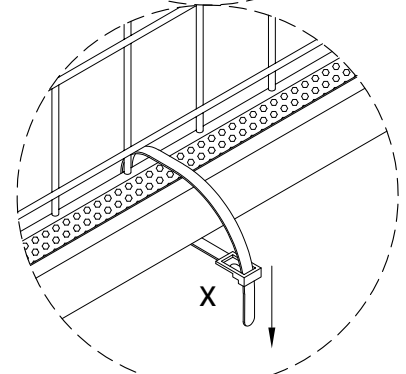
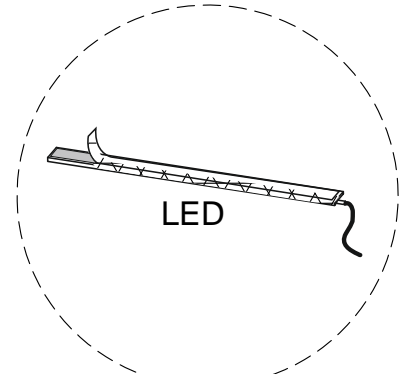
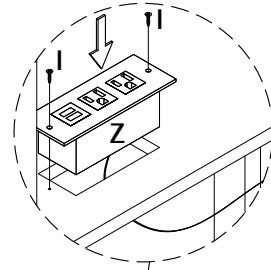
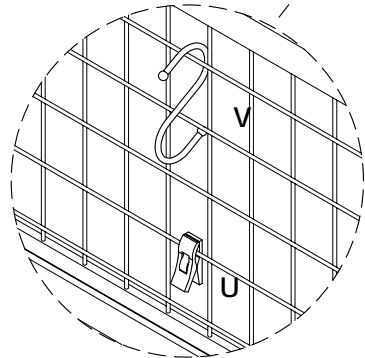
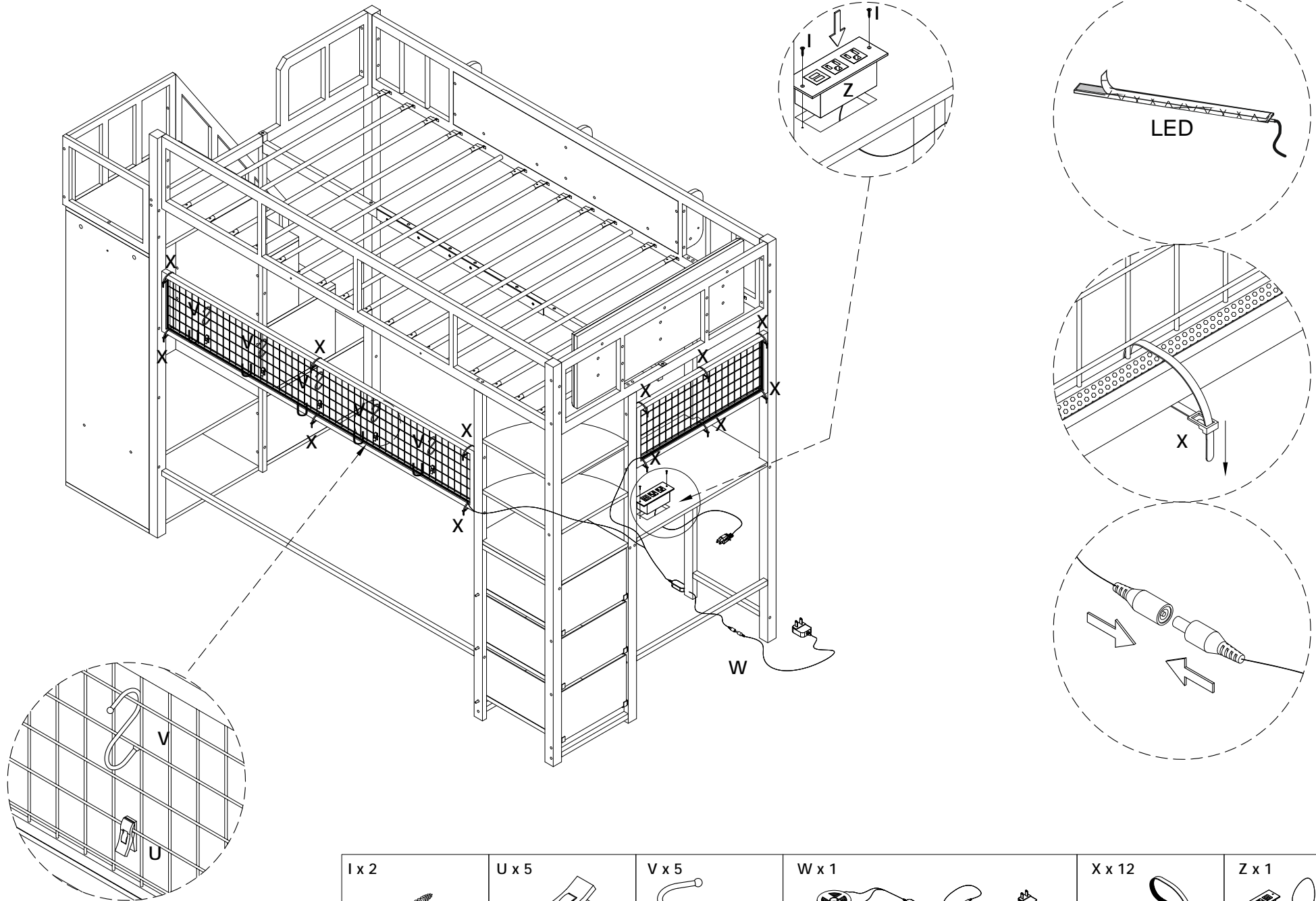



# STEP:35

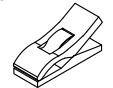


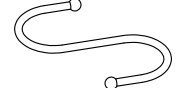
<p>E x 4</p>  <p>M6x35</p>	<p>Y x 30</p> 
---	---


# STEP:36





I x 2  
  
 Φ3.5x14

U x 5  


V x 5  


W x 1  


X x 12  


Z x 1  


# STEP:37

Use a 5/16 inch (8 mm) diameter stone drill to drill into the wall.

