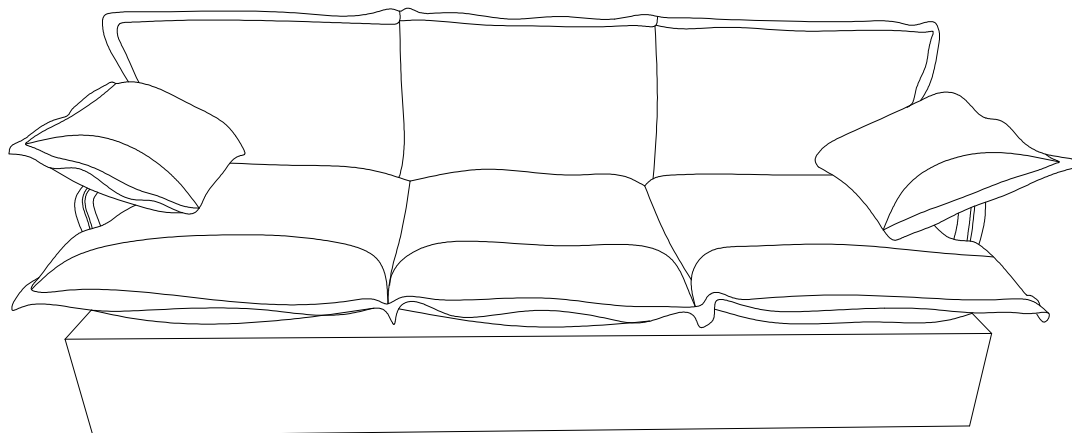


# ① ASSEMBLY INSTRUCTION

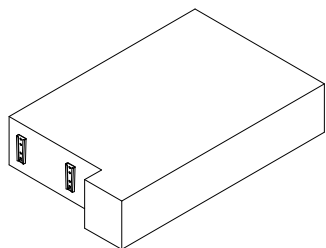


Components/QTY

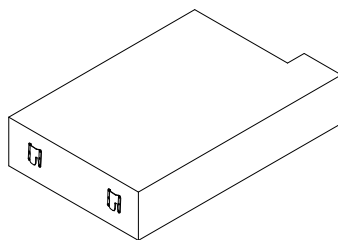
Components/QTY

Components/QTY

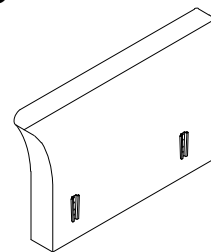
① 1PC



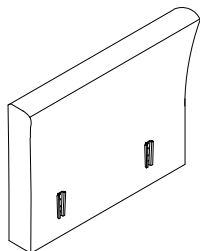
② 1PC



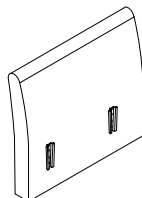
③ 1PC



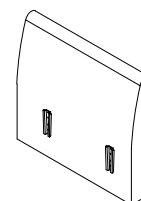
④ 1PC



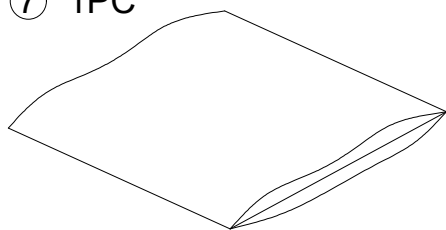
⑤ 1PC



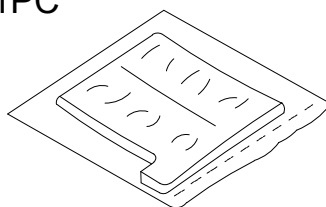
⑥ 1PC



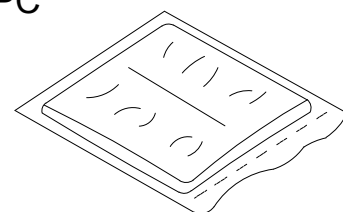
⑦ 1PC



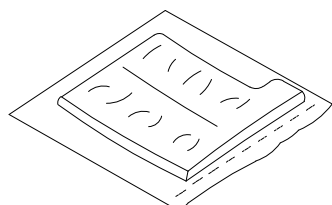
⑧ 1PC



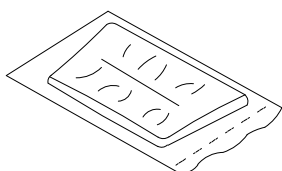
⑨ 1PC



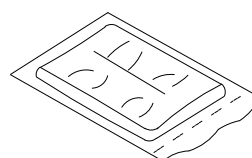
⑩ 1PC



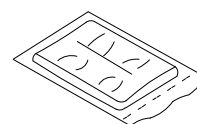
⑪ 2PCS



⑫ 1PC

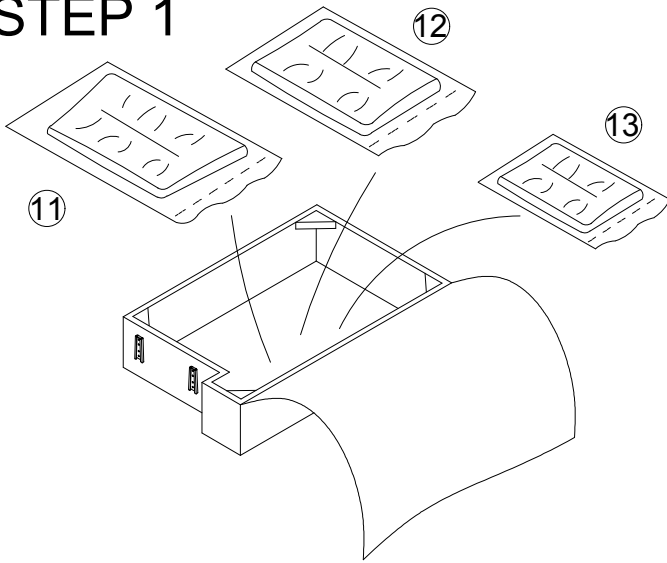


⑬ 2PCS

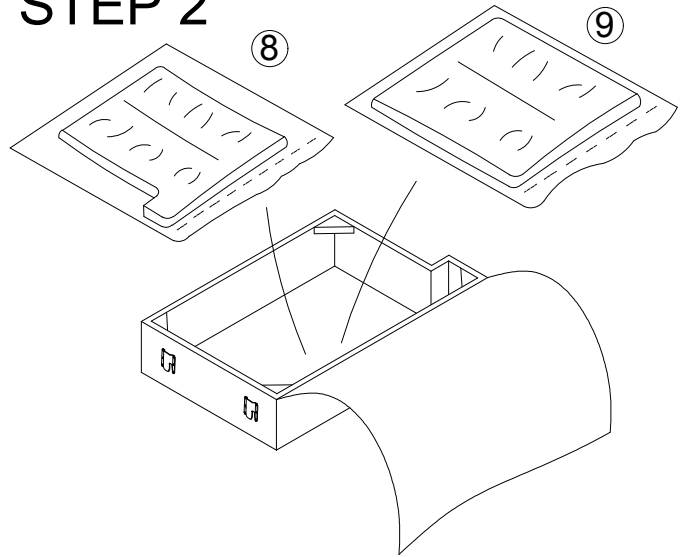


# ② ASSEMBLY INSTRUCTION

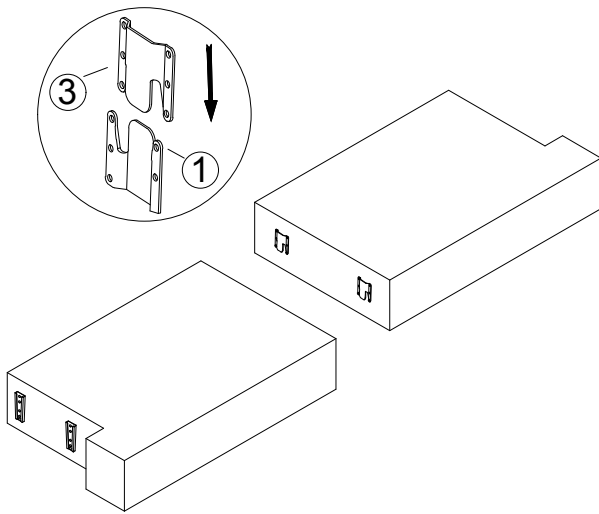
## STEP 1



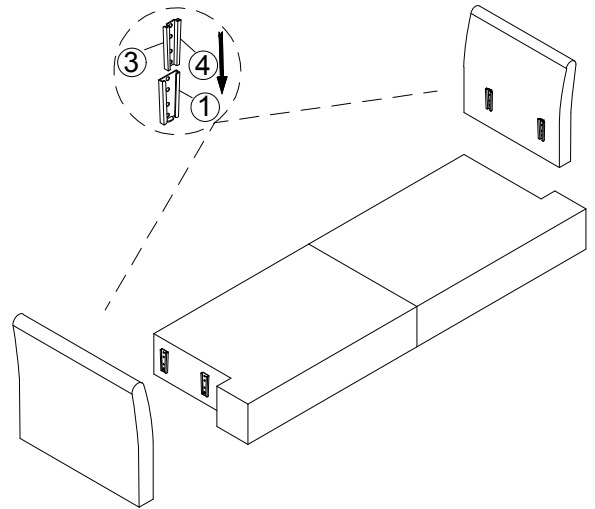
## STEP 2



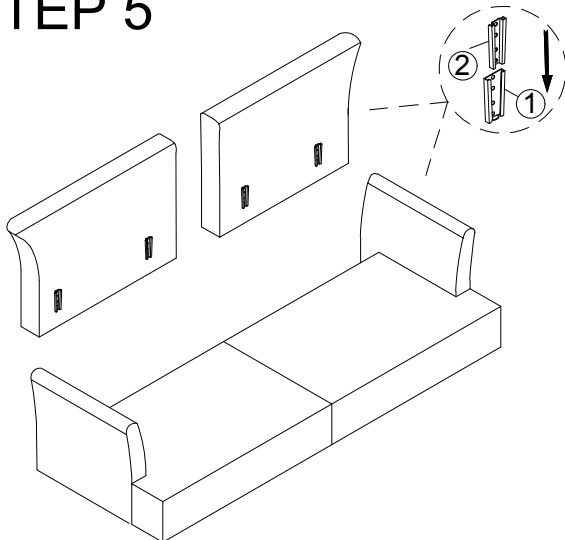
## STEP 3



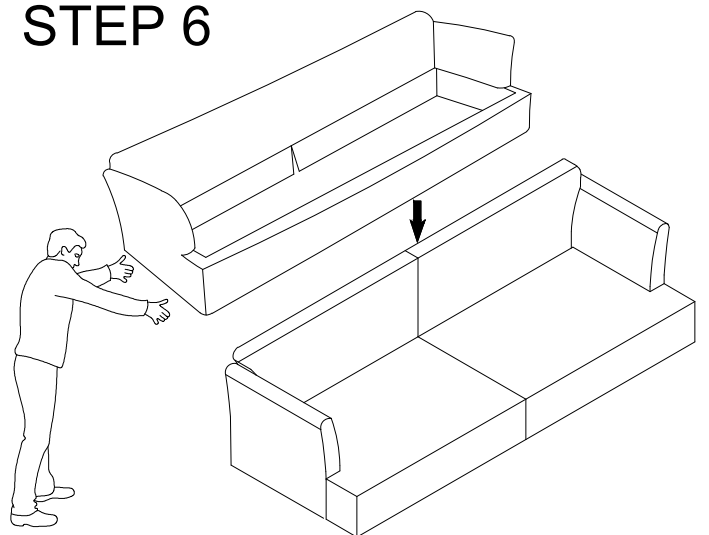
## STEP 4



## STEP 5

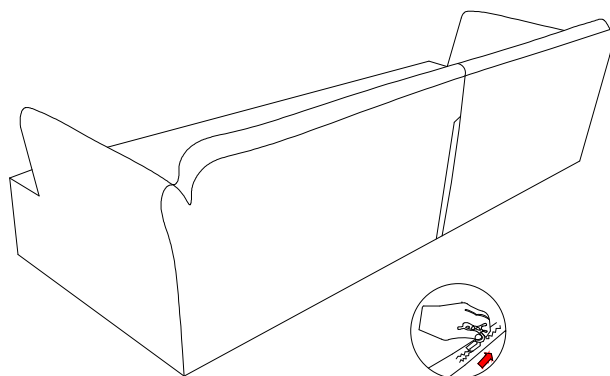


## STEP 6

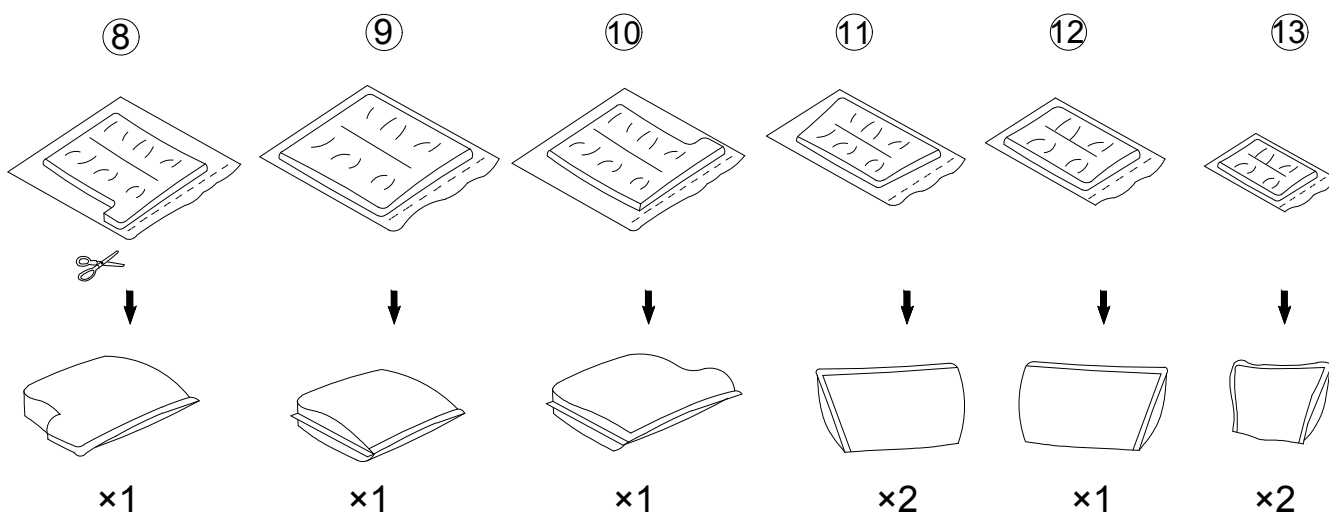


# ③ ASSEMBLY INSTRUCTION

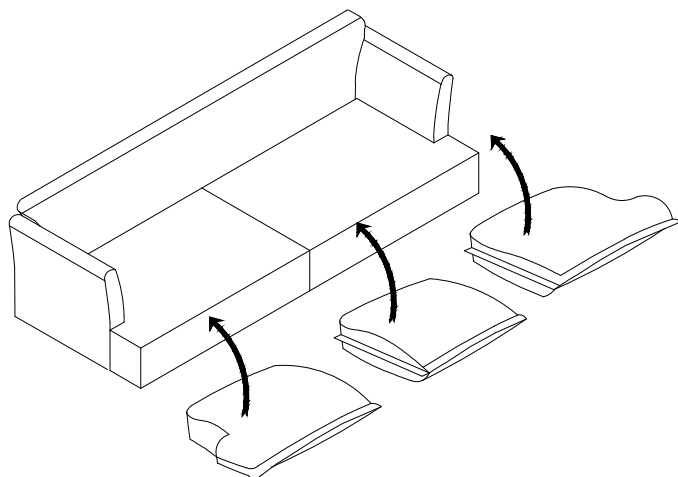
## STEP 7



## STEP 8



## STEP 9



## STEP 10

