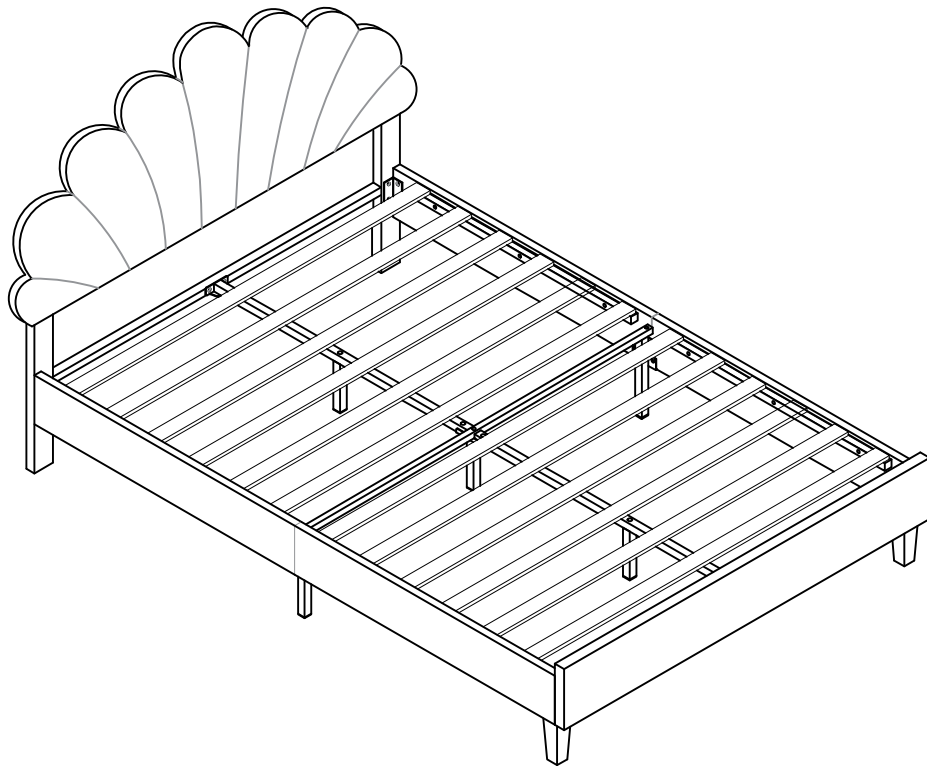
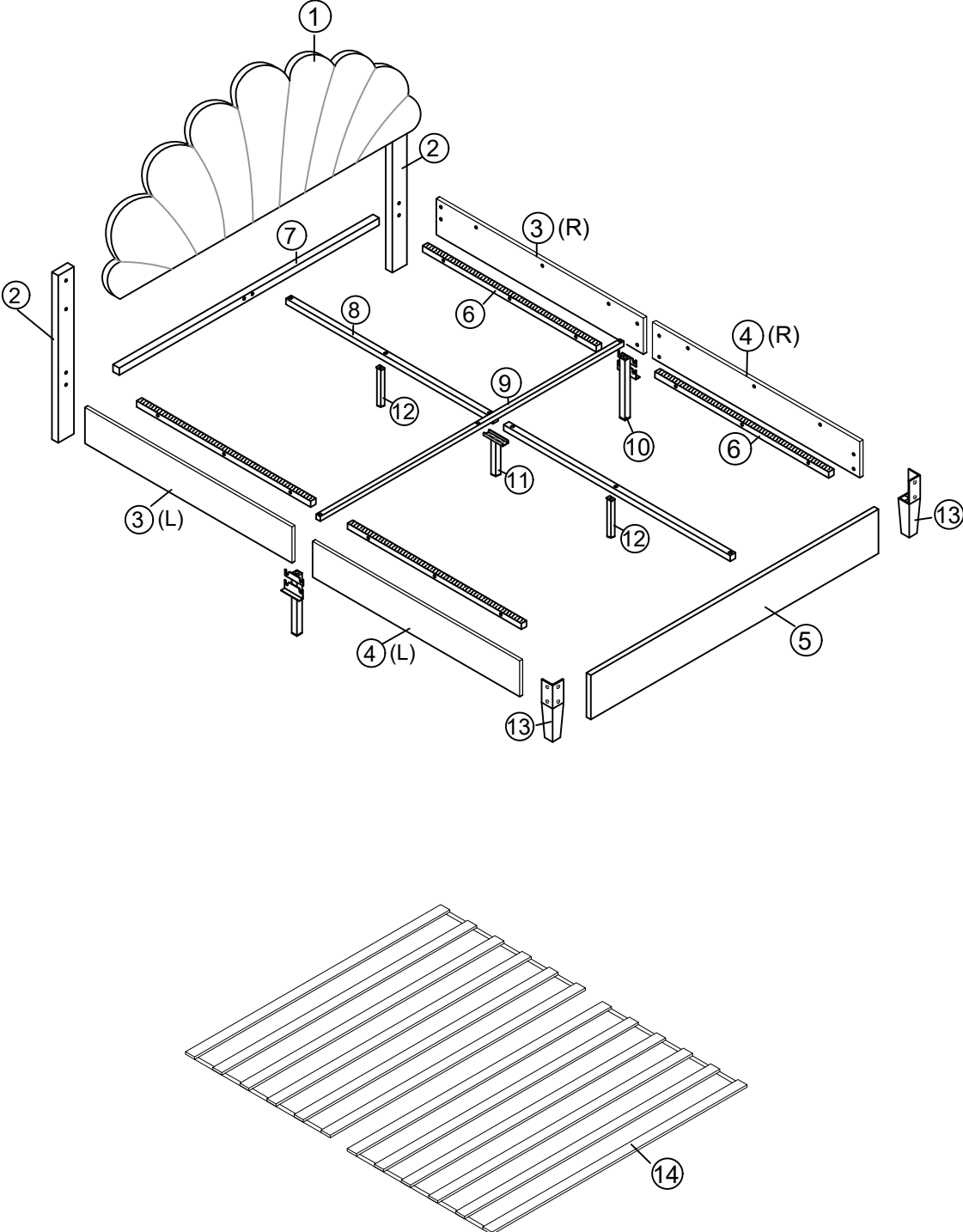


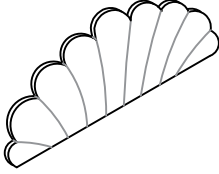

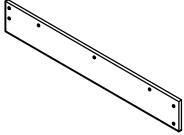
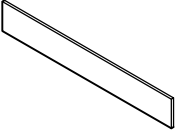
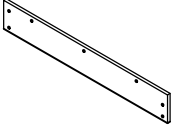
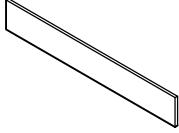
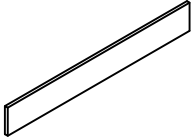
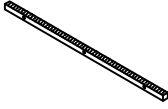
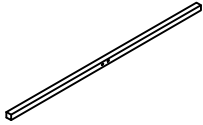
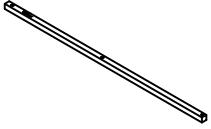
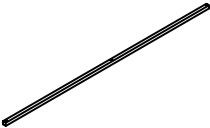




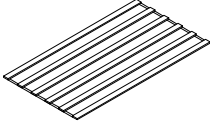
ASSEMBLY INSTRUCTION







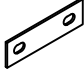
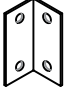
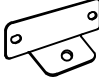
Detail View



Part List

1  Head board-1pc	2  Head board legs -2pcs	3R  Side rails-1pc
3L  Side rails-1pc	4R  Side rails-1pc	4L  Side rails-1pc
5  Foot board -1pc	6  Side rails support bar-4pcs	7  Head board cross bar-1pc
8  Center support bar-2pcs	9  Cross bar-1pc	10  Side rails support legs-2pcs
11  Connected support leg-1pc	12  Middle support leg-2pcs	13  Legs-2pcs
14  Slats-12pcs		

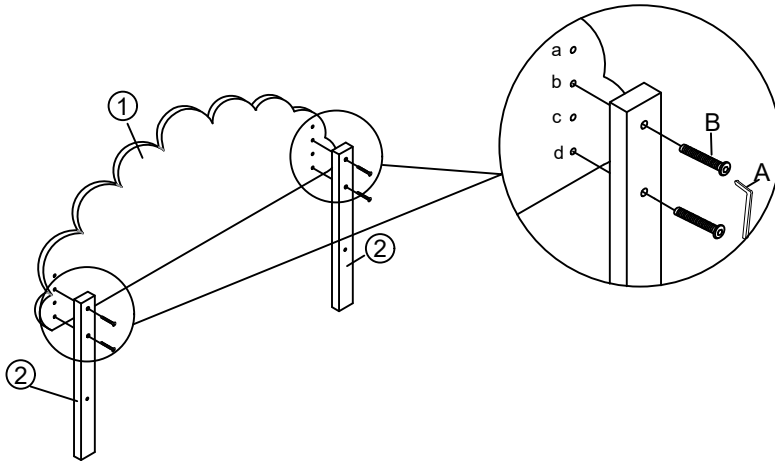
Hardware List



<p>A</p>  <p>20*70mm</p>	<p>B</p>  <p>Ø8*45mm</p>	<p>C</p>  <p>Ø8*18mm</p>
<p>Allen Key(1pc)</p>	<p>Bolts(4pcs)</p>	<p>Bolts(32pcs)</p>
<p>D</p>  <p>Ø8*40mm</p>	<p>E</p>  <p>105*25*2mm</p>	<p>F</p>  <p>75*33*33mm</p>
<p>Bolts(21pcs)</p>	<p>Two hole iron(2pcs)</p>	<p>"7" Connector(2pcs)</p>
<p>G</p> 		
<p>Center support bar fittings(2pcs)</p>		

Attention: Do not tighten the screws before completing the entire installation. If you have any difficulty with the installation process, please feel free to contact us.

Step 1 x2

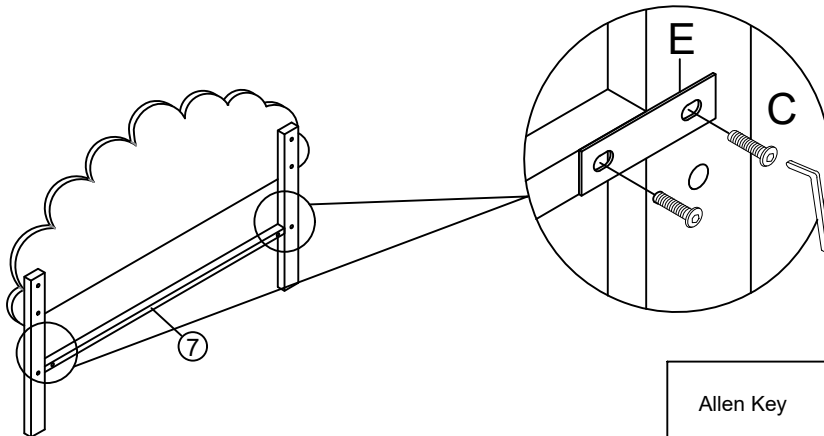
Fix the Headboard legs ② to the Headboard ① with Bolt B by using Allen key A. You can chose the holes a and c or b and d.






Allen Key	B Bolts x 4
	 M8X45mm

Step 2 x2

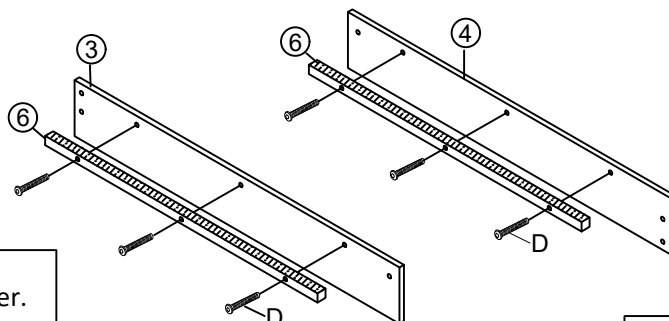
Fix the Headboard cross bar ⑦ to the Headboard legs ② with Bolt C and Two hole iron E by using Allen key A.





Allen Key	C Bolts x 4	E Two hole iron x 2
	 M8X18mm	

Step 3 x2

Connect to Siderail support bar ⑥ Siderails ③ and ④ with Bolts D by using Allen key A.

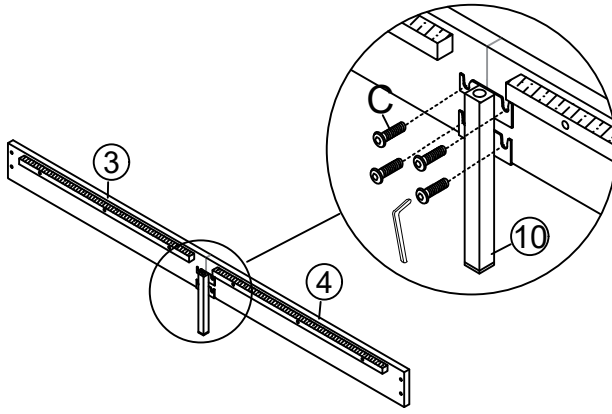




NOTICE:
Please assemble ③ and ④ together.

Allen Key	D Bolts x 12
	 M8X40mm

Step 4 x2

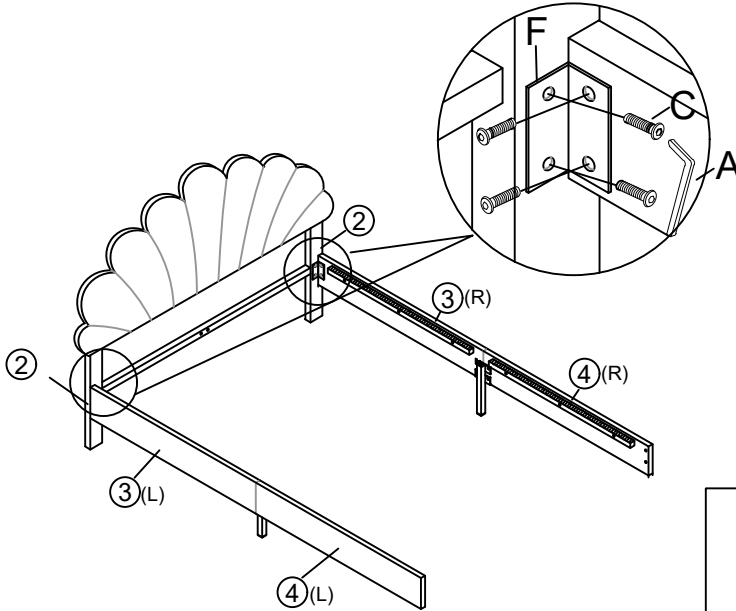
Fix the side rail support leg ⑩ to the side rail with Bolts C by using Allen key A






Allen Key 	C Bolts x 8  M8X18mm
--	---

Step 5 x2

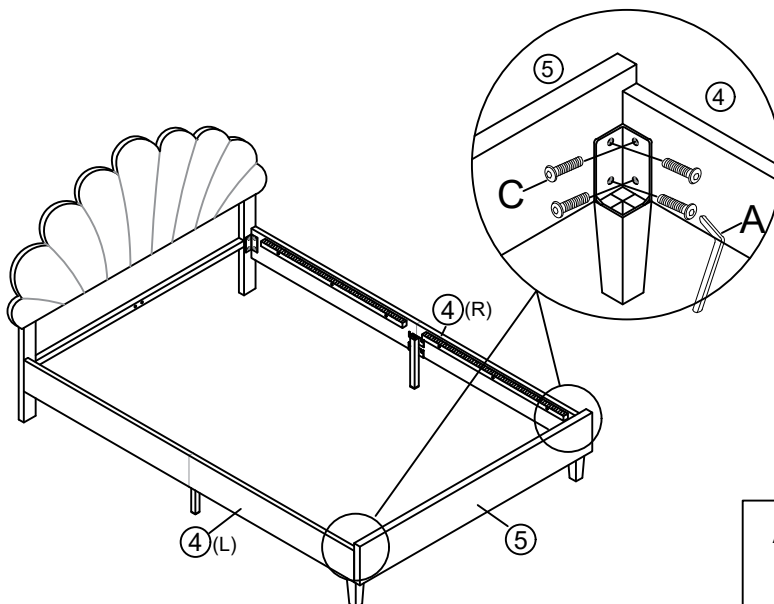
Fix the assembled siderail to the Headboard legs ② with Bolt C and "7" Connector F by using Allen key A.





Allen Key 	C Bolts x 8  M8X18mm	F "7" Connector x 2 
--	---	--

Step 6 x2

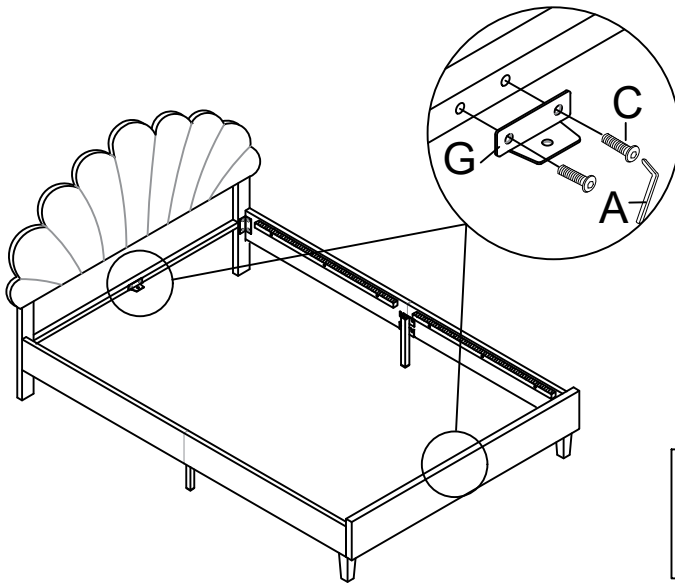
Fix the assembled siderail to the footboard ⑤ with Bolt C and legs ⑬ by using Allen key A.






Allen Key 	C Bolts x 8  M8X18mm
--	---

Step 7 x2

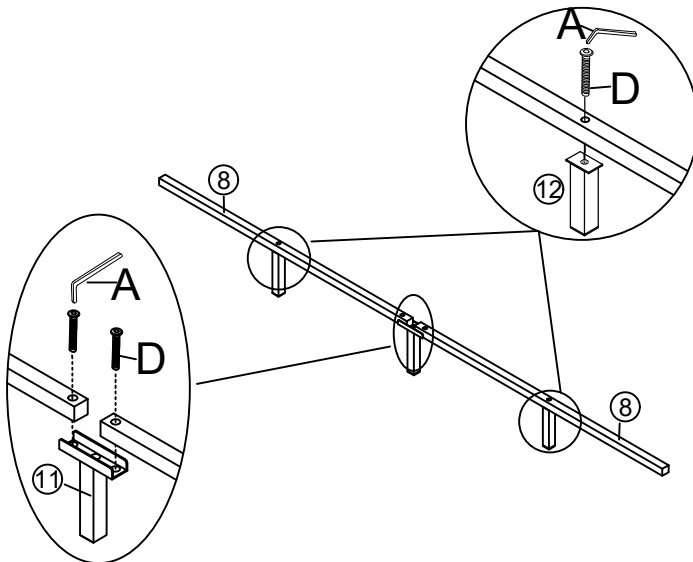
Fix the Center support bar fittings G to the Headboard cross bar ⑦ and foot board ⑤ with Bolts C by using Allen key A





Allen Key 	C Bolts x 4  M8X18mm	G Center support bar fittings x2 
--	---	---

Step 8 x2

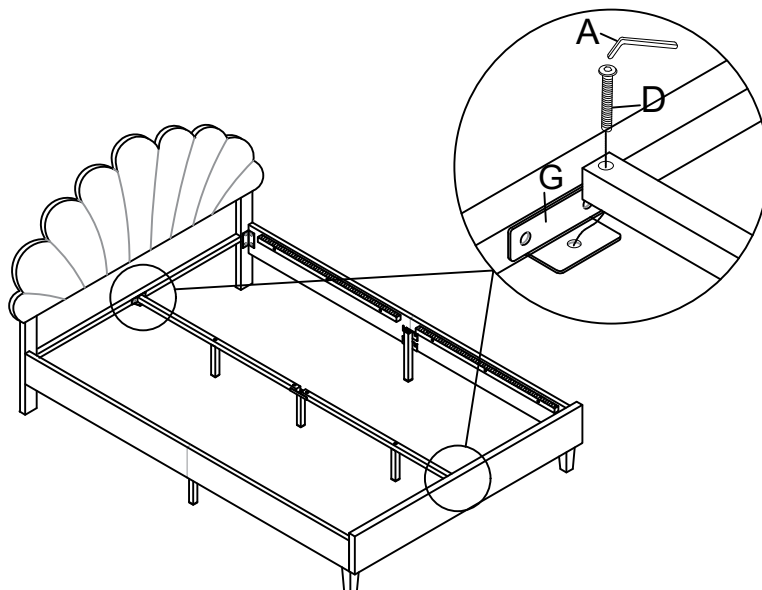
Connect Center support bar ⑧ with Connected support leg ⑪ with Bolts D by using Allen key A. Fix the Middle support leg ⑫ to the Center support bar ⑧ with Bolts D by using Allen key A.





Allen Key 	D Bolts x 4  M8X40mm
--	---

Step 9

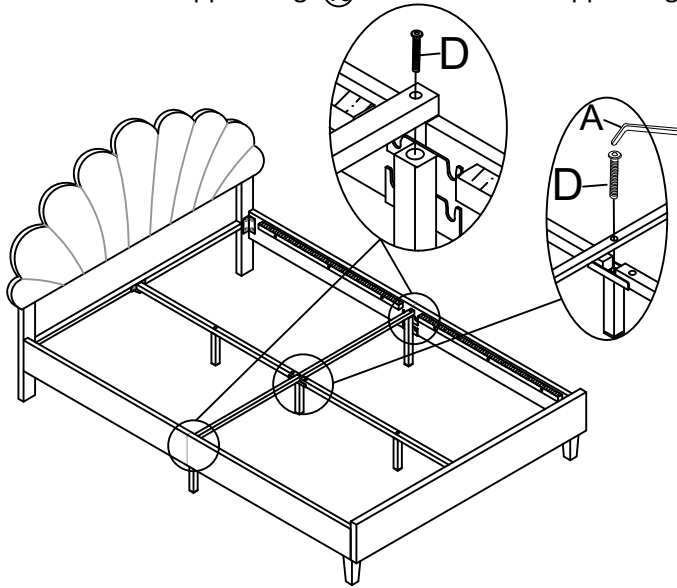
Fix the Center support bar ⑧ to the headboard cross bar ⑦ and foot board ⑤ with Bolts D by using Allen key A





Allen Key 	D Bolts x 2  M8X40mm
--	---

Step 10

Fix the cross bar ⑨ to the side rails support legs ⑩ and Connected support legs ⑪ with Bolts D by using Allen key A



Allen Key 	D Bolts x 3  M8X40mm
--	---

Step 11

Fix the slats ⑭ to the side support bar, then assembly is finished, now please tighten all hardware and enjoy the bed.

