

INSTRUCTION MANUAL

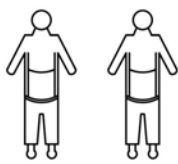
If you have any problems, please send your order number and photos to us. We will contact you within 24 hours and provide you with a satisfactory solution.

! NOTICE Please retain these instructions for future reference.

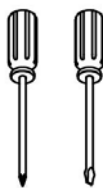
- Carefully unpack all the components and verify that all the necessary parts are included as listed in the packaging.
- Identify each component and refer to the provided assembly diagram or step-by-step instructions.
- Assemble the furniture in the order specified to ensure proper alignment and fit.
- Use the provided tools or recommended tools for assembly. Do not use excessive force when tightening screws or bolts.
- If any difficulties arise during assembly. Consult the troubleshooting section or contact our customer support.



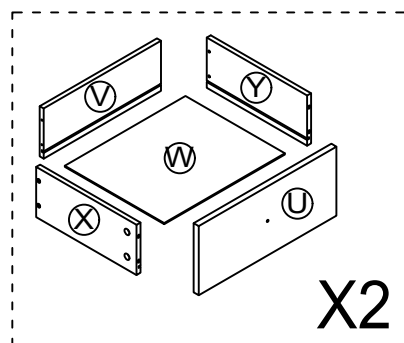
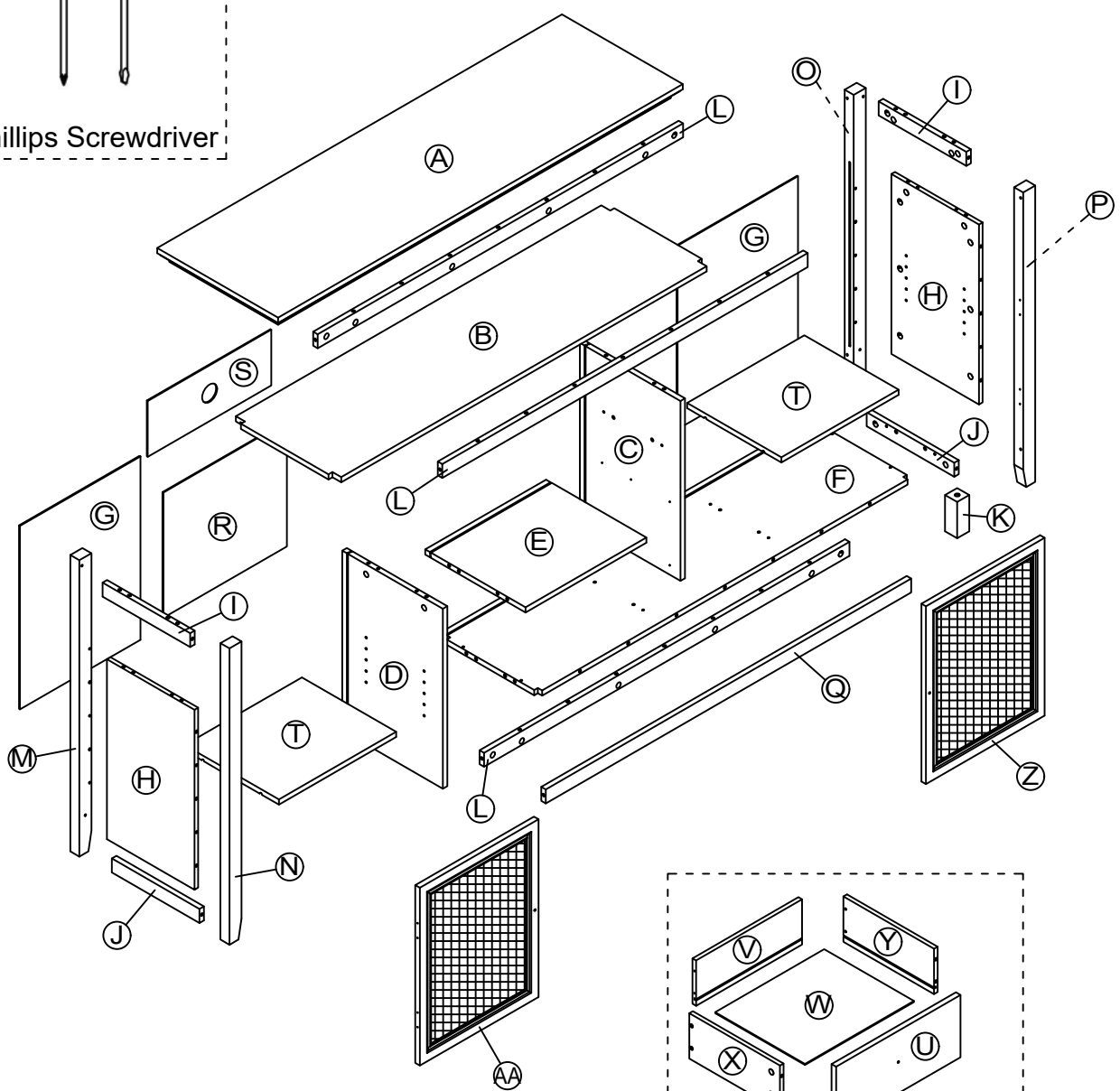
ASSEMBLY INSTRUCTIONS



2 people



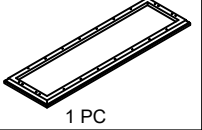
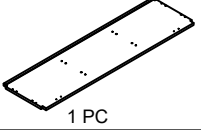
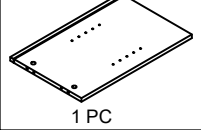
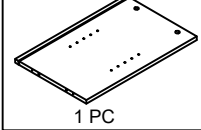
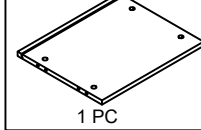
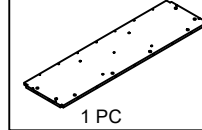
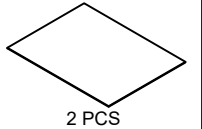
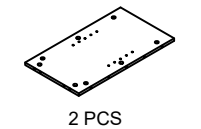
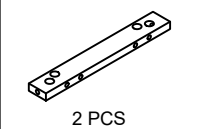
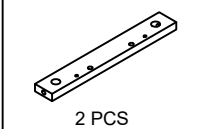
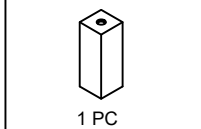
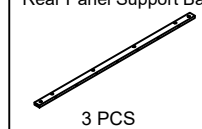
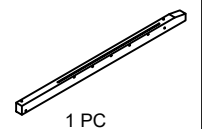
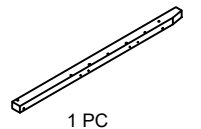
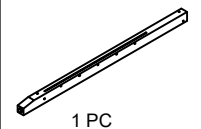
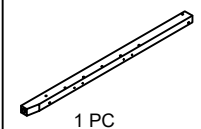
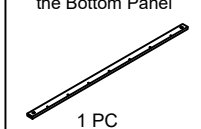
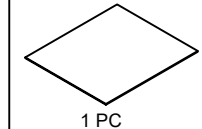
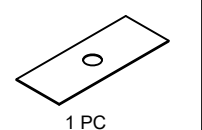
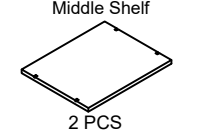
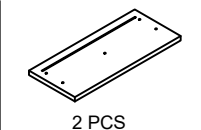
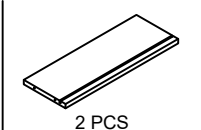
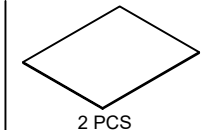
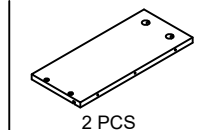
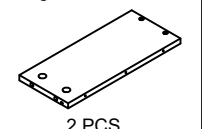
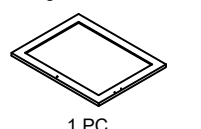
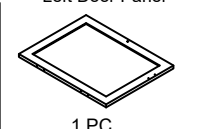
Phillips Screwdriver



X2


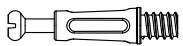


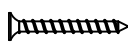
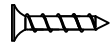




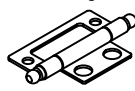


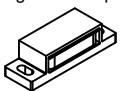
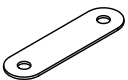
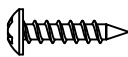







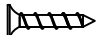


PARTS LIST

A Front Panel  1 PC	B Upper Middle Shelf  1 PC	C Right Center Divider  1 PC	D Left Center Divider  1 PC	E Under Middle Shelf  1 PC	F Bottom Panel  1 PC
G Left And Right Back Panel  2 PCS	H Left And Right Side Panel  2 PCS	I Upper Leg Support Bar  2 PCS	J Lower Leg Support Bar  2 PCS	K Center Support Leg  1 PC	L Panel Support Bar and Rear Panel Support Bar  3 PCS
M Left Rear Leg  1 PC	N Left Front Leg  1 PC	O Right Rear Leg  1 PC	P Right Front Leg  1 PC	Q Front Crossbar for the Bottom Panel  1 PC	R Under Middle Back Panel  1 PC
S Upper Middle Back Panel  1 PC	T Left And Right Middle Shelf  2 PCS	U Drawer Front  2 PCS	V Drawer Back Panel  2 PCS	W Drawer Bottom Panel  2 PCS	X Left Drawer Side  2 PCS
Y Right Drawer Side  2 PCS	Z Right Door Panel  1 PC	AA Left Door Panel  1 PC			



HARDWARE LIST

01 Ø15X9.5mm Cam Lock  72+3 PCS	02 Ø6.5X35mm Cam Bolt  72+3 PCS	03 Ø8X30mm Wooden Dowel  24+2 PCS	04 Ø6X30mm Wooden Dowel  20+2 PCS	05 Ø4X35mm Screw  16+2 PCS	06 Ø3.5X14mm Screw  24+2 PCS
07 M6X25mm Screw  1 PC	08 Ø5X16mm Shelf Support  8 PCS	09 31X31X26mm Handle  4 PCS	10 M4X19mm Screw  4+1 PCS	11 66X25X7mm Hinge  4 PCS	12 Back Panel Buckle  16+2 PCS
13 Ø21mm Screw Hole Sticker  72+3 PCS	14 45X16X14mm Magnetic Bump  2 PCS	15 45X12X1.5mm Two Hole Iron Sheet  2 PCS	16 Ø3X14mm Screw  20+2 PCS	17 Anti-Tipping Device  2 PCS	18 Ø6X23X26mm Adjusting Nut  1 PC
19 4X65mm Allen Wrench  1 PC	20 CL 300mm Left Cabinet Slide Rail  2 PCS	20 CR 300mm Right Cabinet Slide Rail  2 PCS	20 DL 300mm Left Drawer Slide Rail  2 PCS	20 DR 300mm Right Drawer Slide Rail  2 PCS	21 Ø3X12mm Screw  20+2 PCS

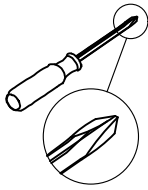



If you are missing any parts, please provide your order number and circle the part number. Send us a photo of this, and we will provide you with a satisfactory solution. Thank you.

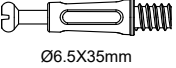
STEP 1

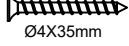
Please tighten the screws after completing all installation.


Por favor, apriete los tornillos después de instalar todo.

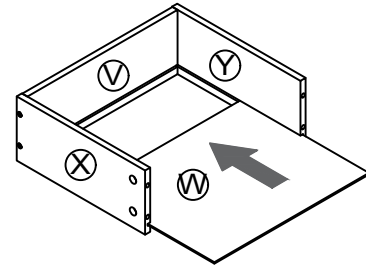
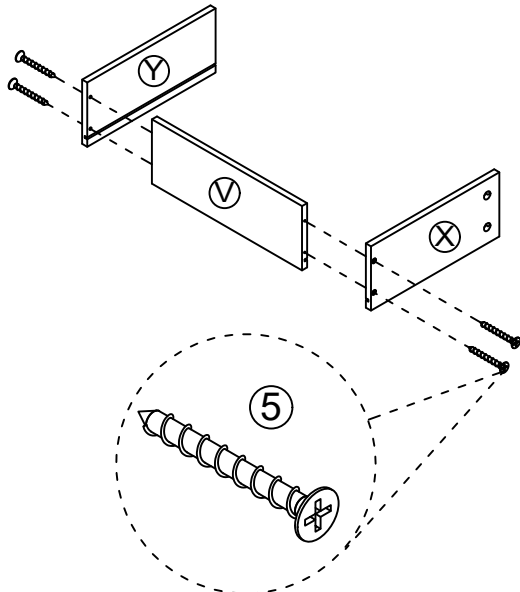


	Ø15X9.5mm
Cam Lock	
①	X8

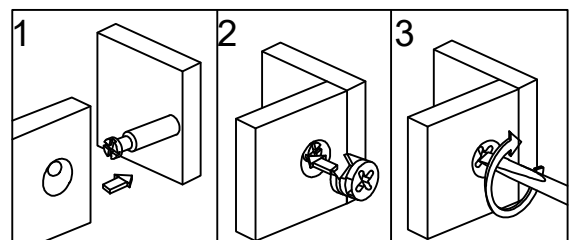
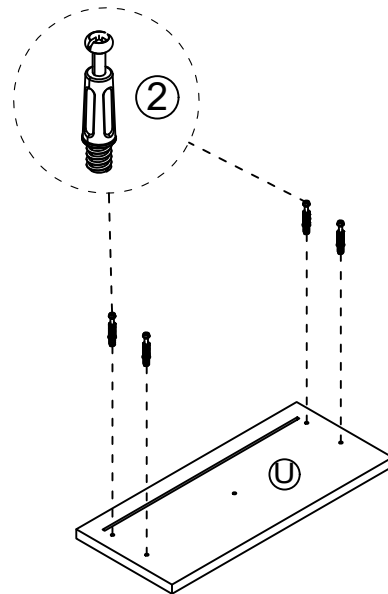
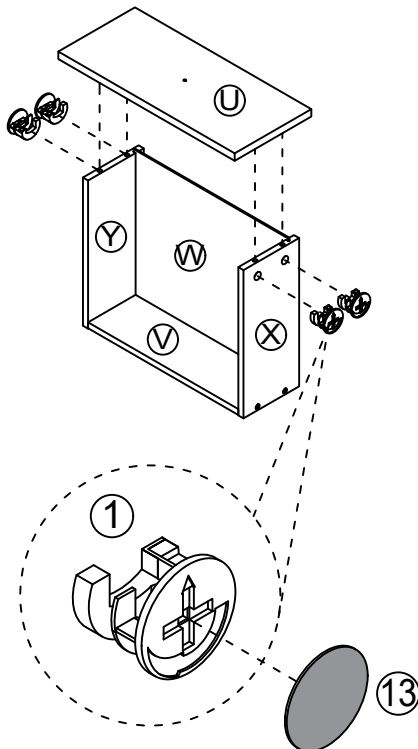
	Ø6.5X35mm
Cam Bolt	
②	X8

	Ø4X35mm
Screw	
⑤	X8

	Ø21mm
Screw Hole Sticker	
⑬	X8



1 2
4 3

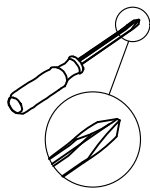


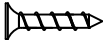
X2


STEP 2


Please tighten the screws after completing all installation.

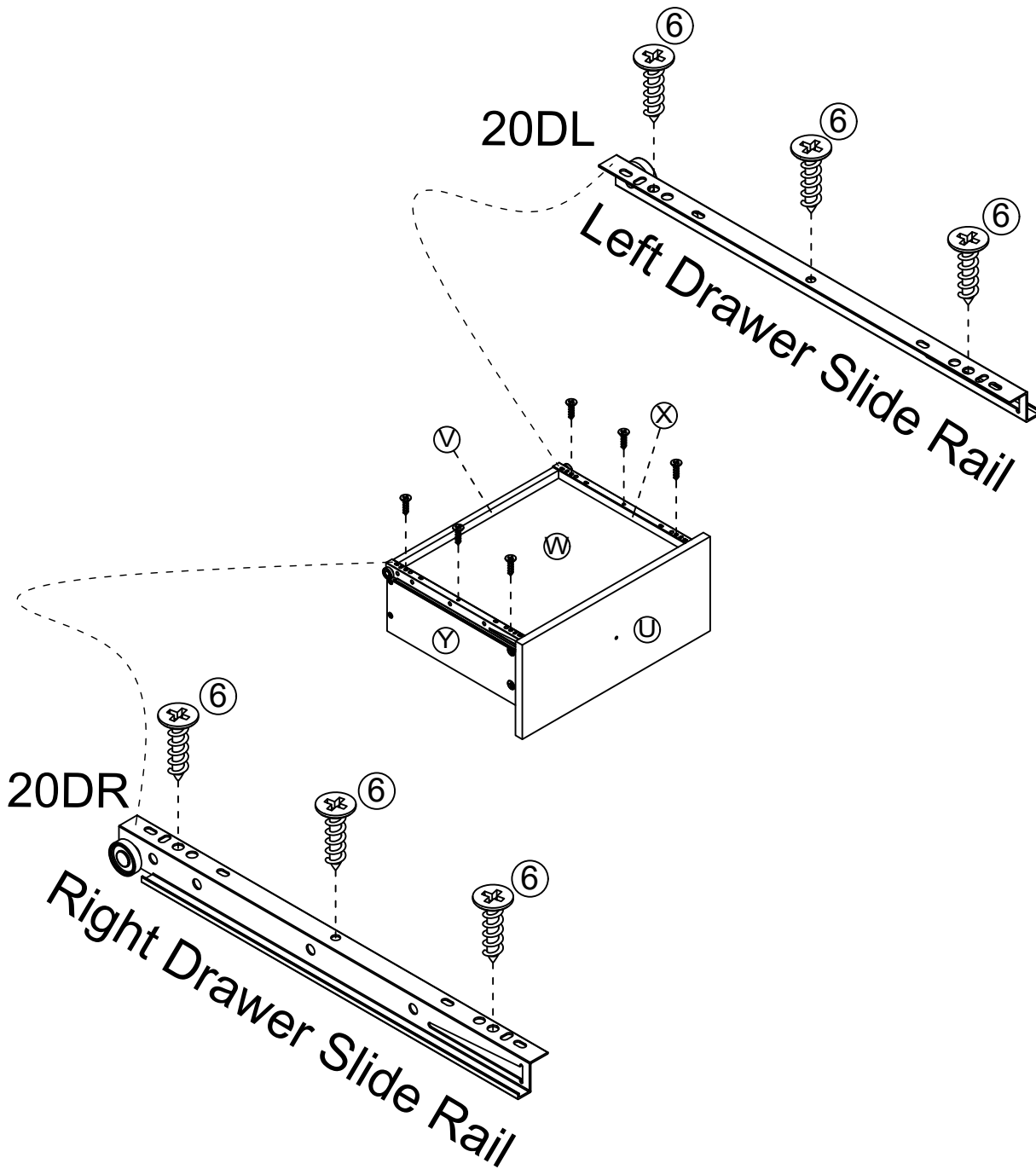
Por favor, apriete los tornillos después de instalar todo.



 Ø3.5X14mm Screw	
⑥	X12

300mm 	
Left Drawer Slide Rail	
20DL	X2

300mm 	
Right Drawer Slide Rail	
20DR	X2

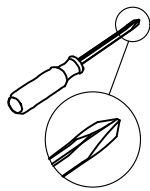


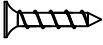
X2

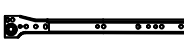
STEP 3

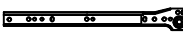
Please tighten the screws after completing all installation.

Por favor, apriete los tornillos después de instalar todo.

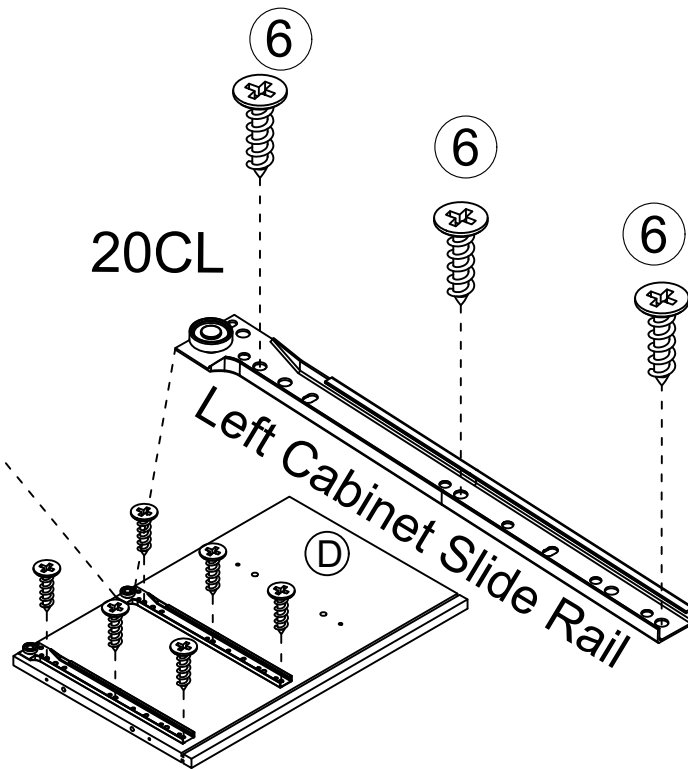
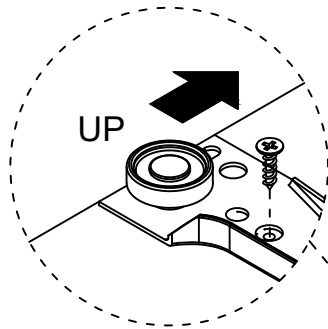


 Ø3.5X14mm Screw	
⑥	X12

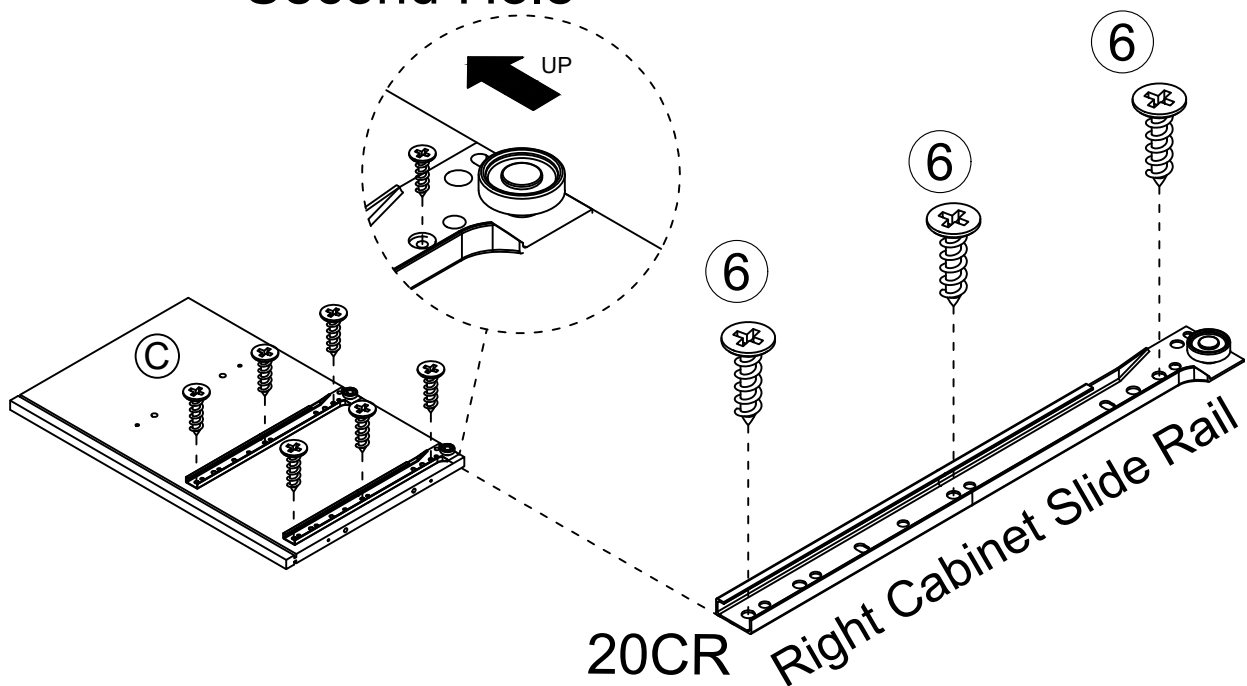
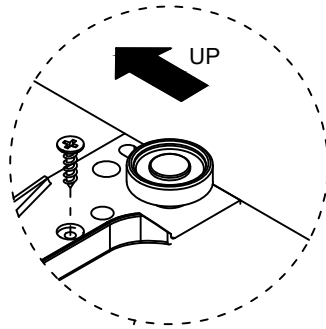
300mm 	
Left Cabinet Slide Rail	
20CL	X2

300mm 	
Right Cabinet Slide Rail	
20CR	X2

Second Hole



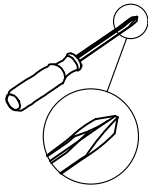
Second Hole




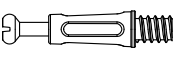
STEP 4


Please tighten the screws after completing all installation.


Por favor, apriete los tornillos después de instalar todo.

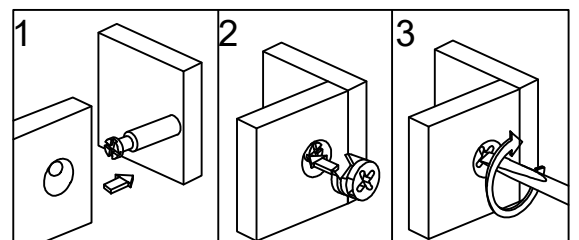
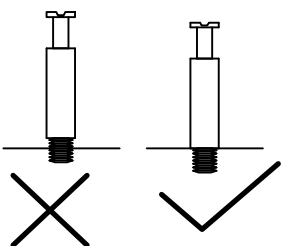
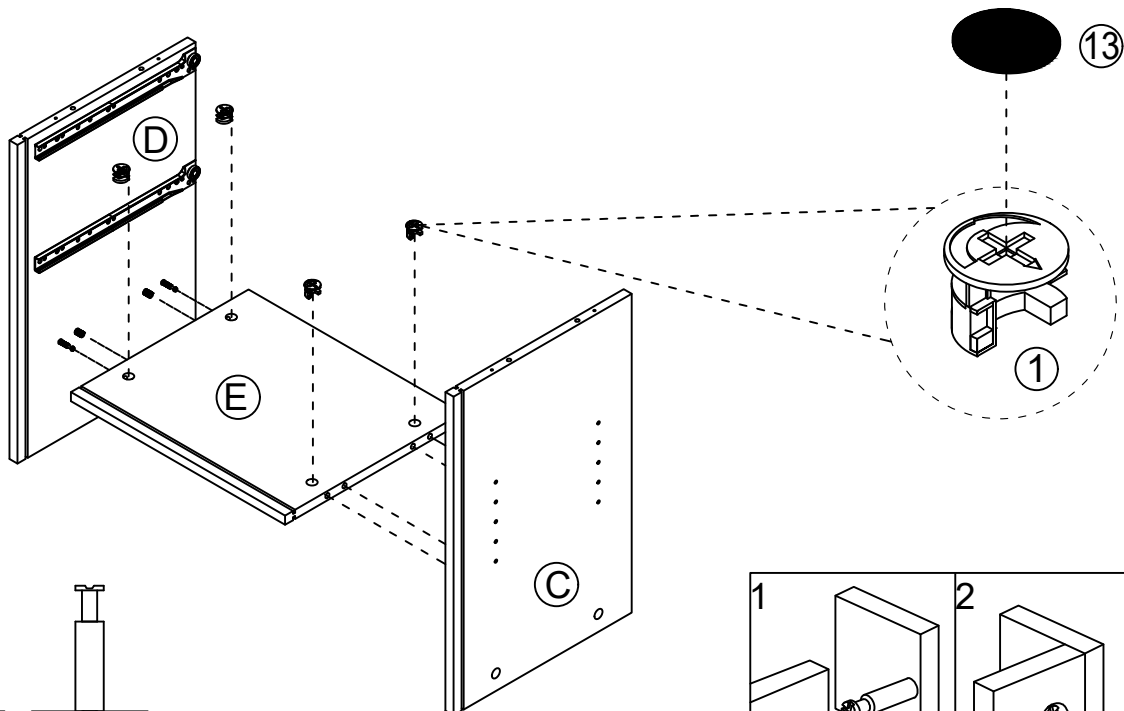
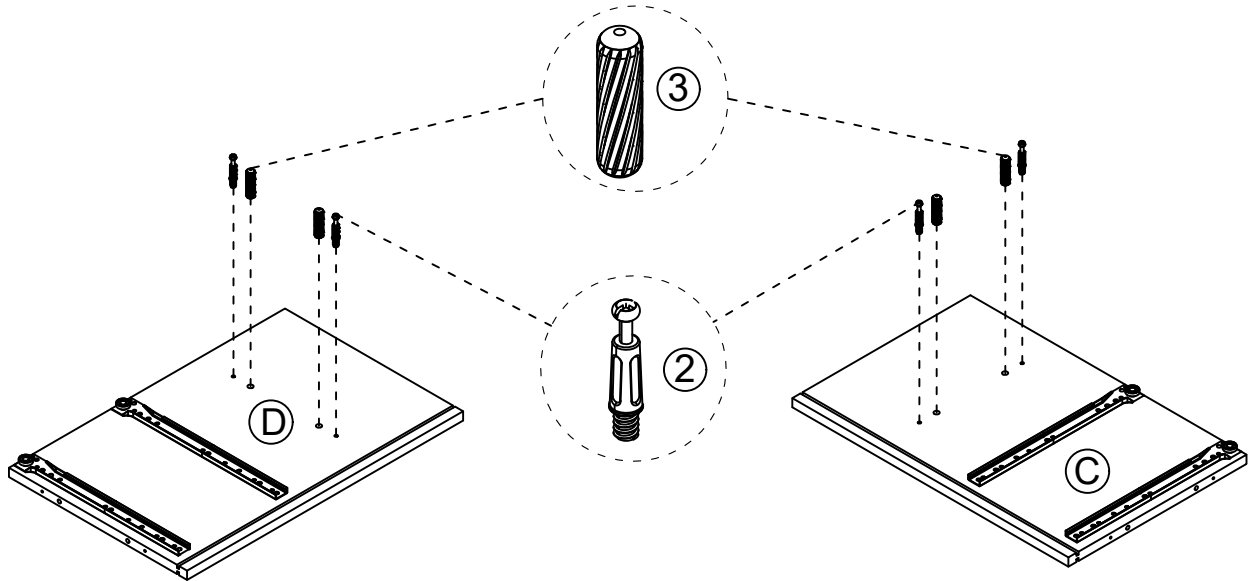


	Ø15X9.5mm Cam Lock
①	X4

	Ø6.5X35mm Cam Bolt
②	X4

	Ø8X30mm Wooden Dowel
③	X4

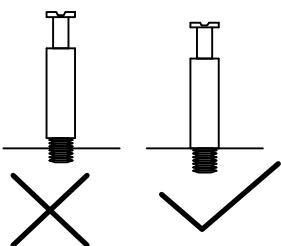
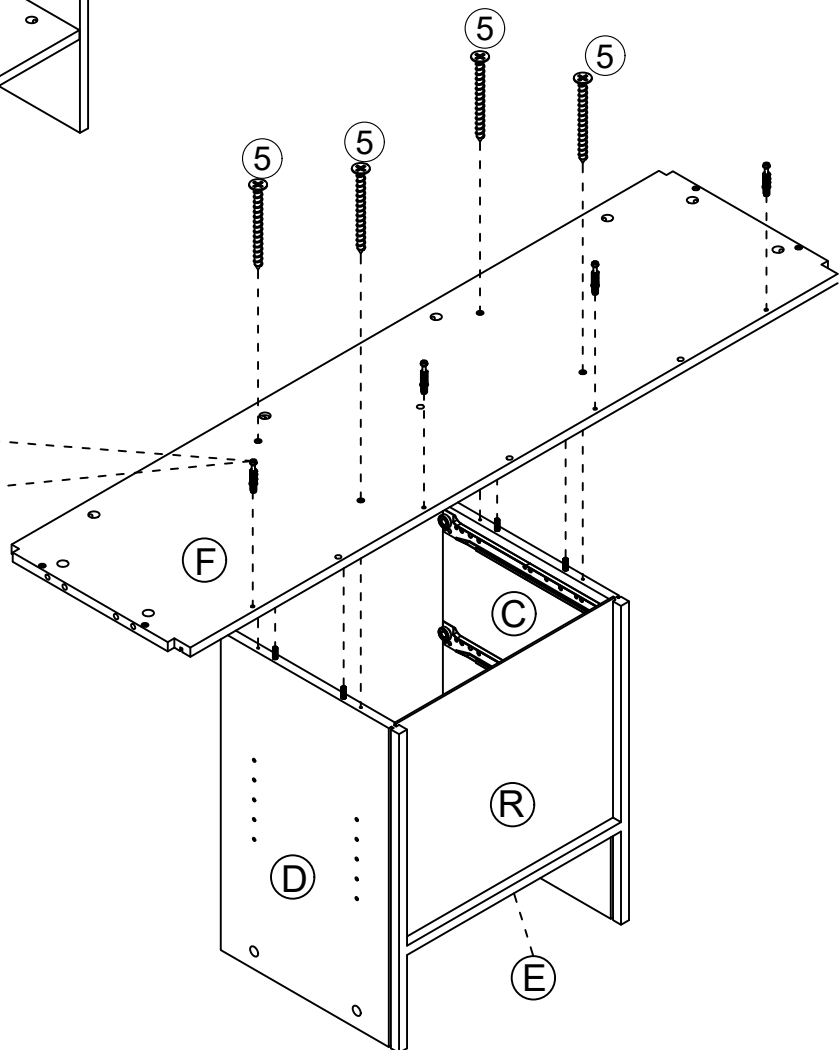
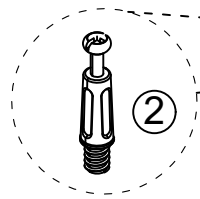
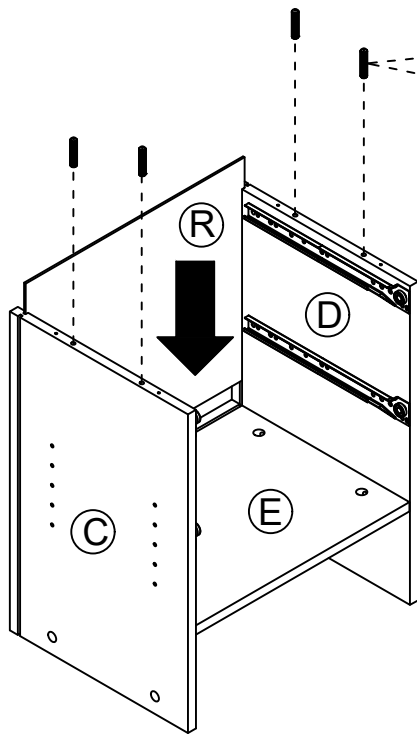
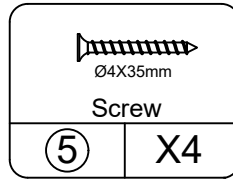
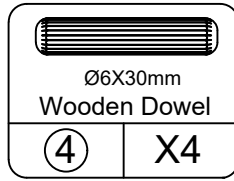
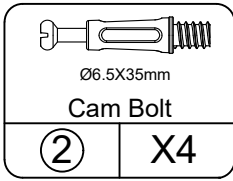
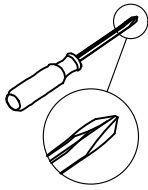
	Ø21mm Screw Hole Sticker
⑬	X4



STEP 5

Please tighten the screws after completing all installation.

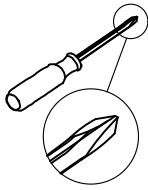
Por favor, apriete los tornillos después de instalar todo.





STEP 6


Please tighten the screws after completing all installation.


Por favor, apriete los tornillos después de instalar todo.

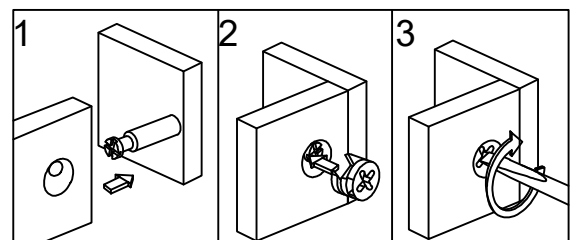
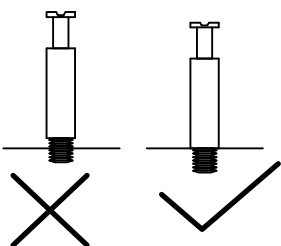
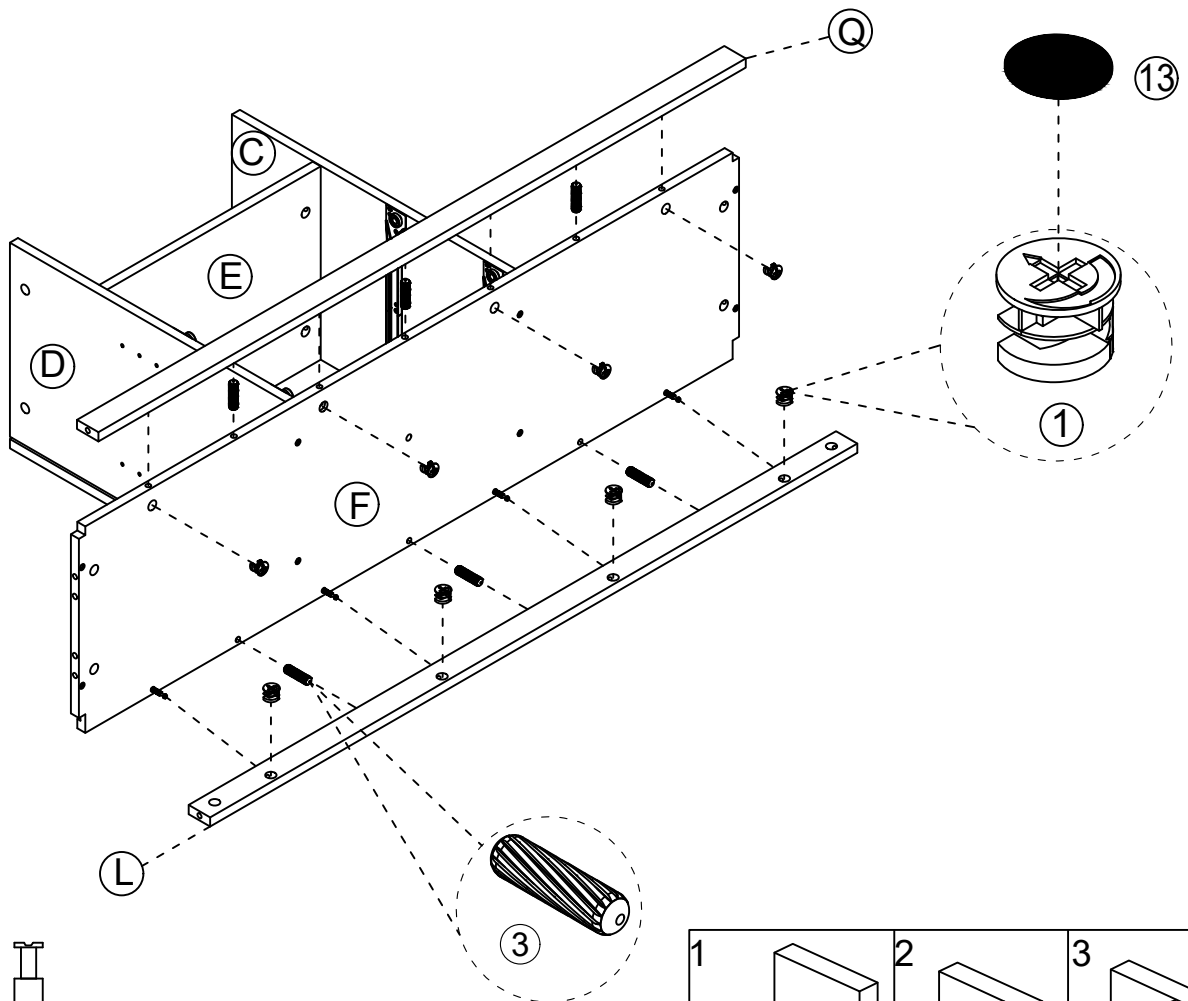
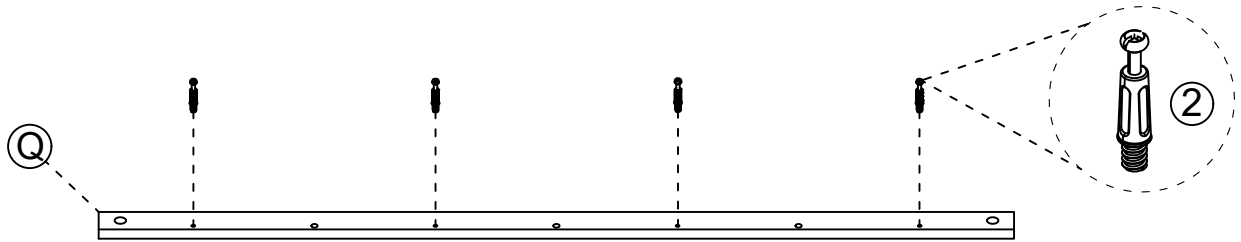


	Ø15X9.5mm Cam Lock
①	X8

	Ø6.5X35mm Cam Bolt
②	X4

	Ø8X30mm Wooden Dowel
③	X6

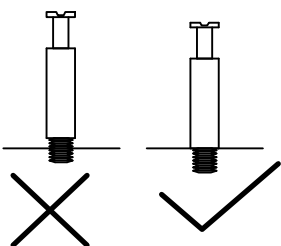
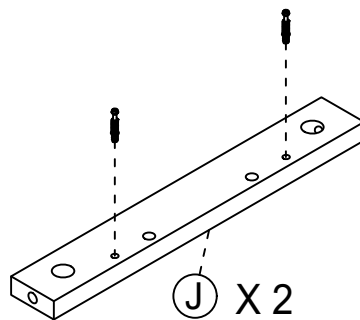
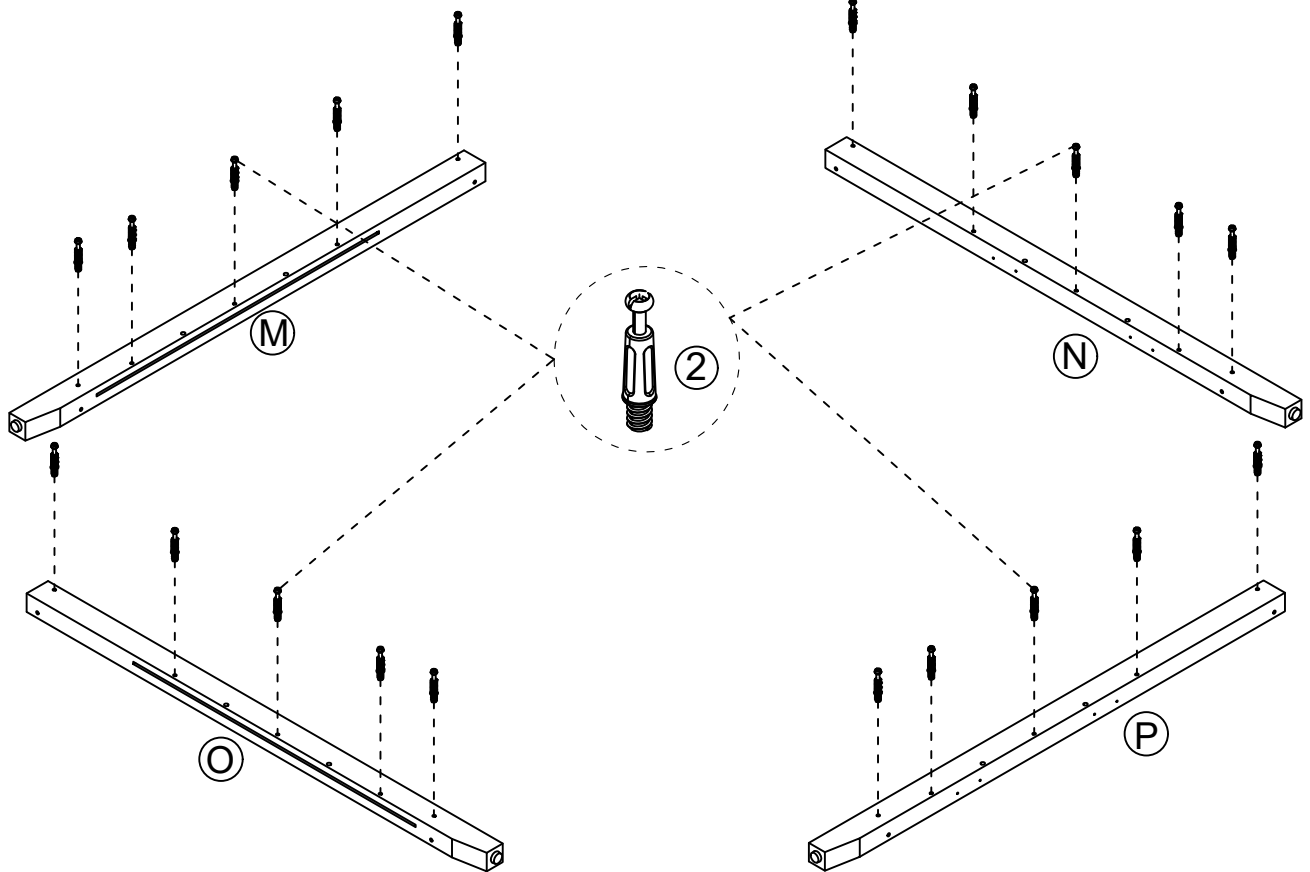
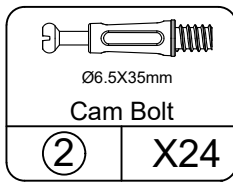
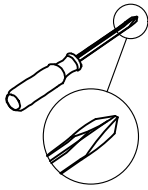
	Ø21mm Screw Hole Sticker
⑬	X8



STEP 7

Please tighten the screws after completing all installation.

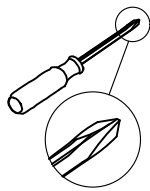
Por favor, apriete los tornillos después de instalar todo.





STEP 8


Please tighten the screws after completing all installation.


Por favor, apriete los tornillos después de instalar todo.

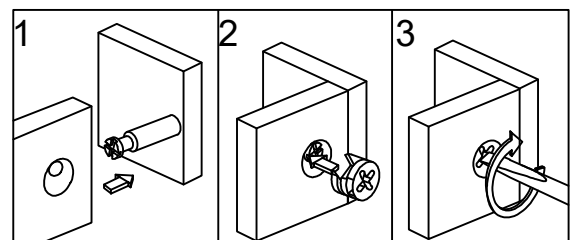
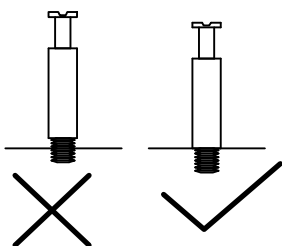
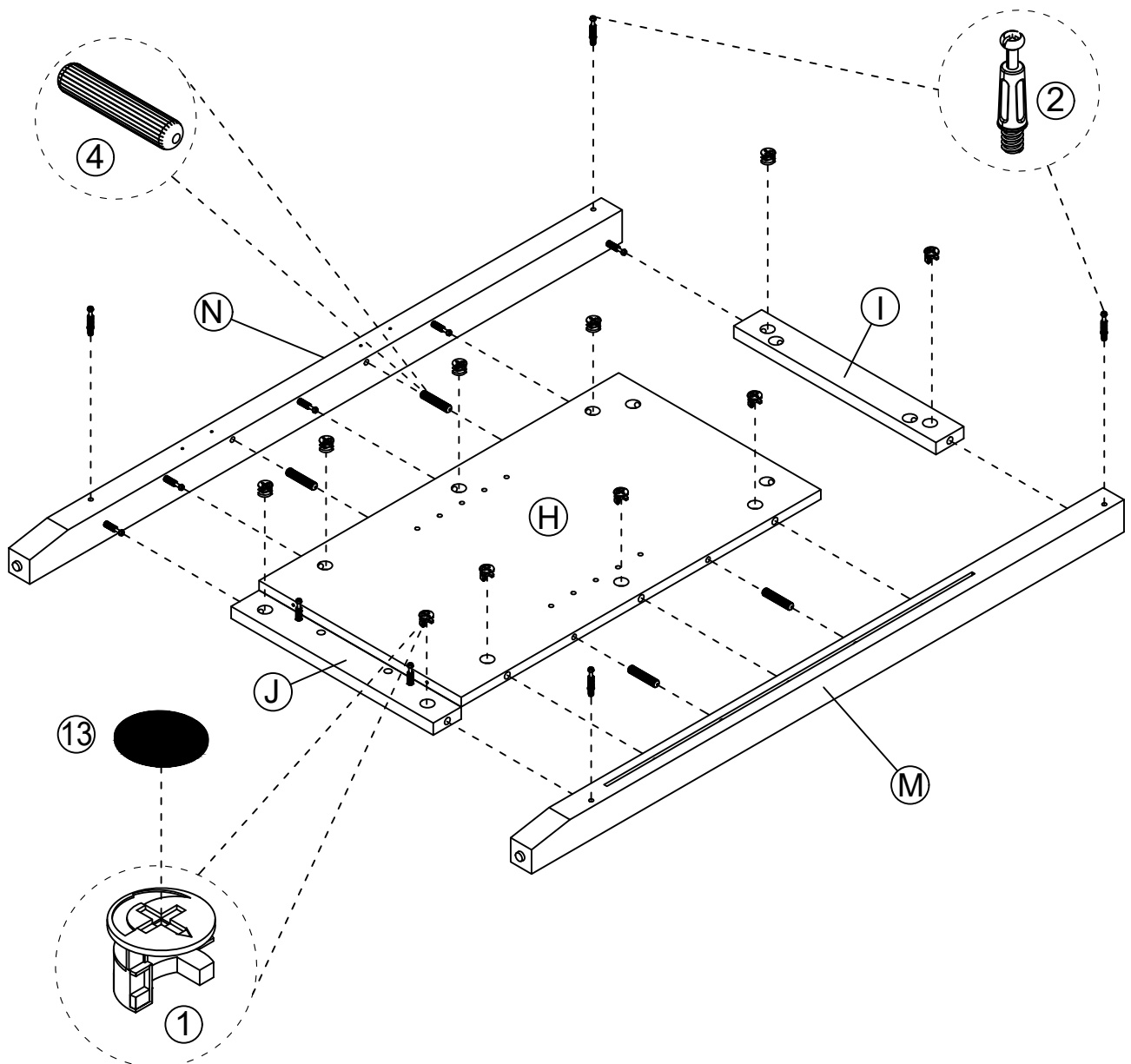


 Ø15X9.5mm Cam Lock	
①	X10

 Ø6.5X35mm Cam Bolt	
②	X4

 Ø6X30mm Wooden Dowel	
④	X4

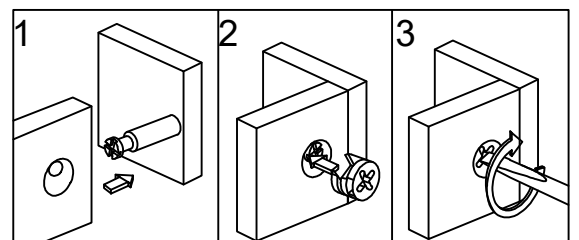
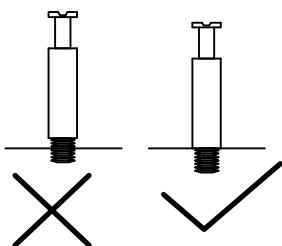
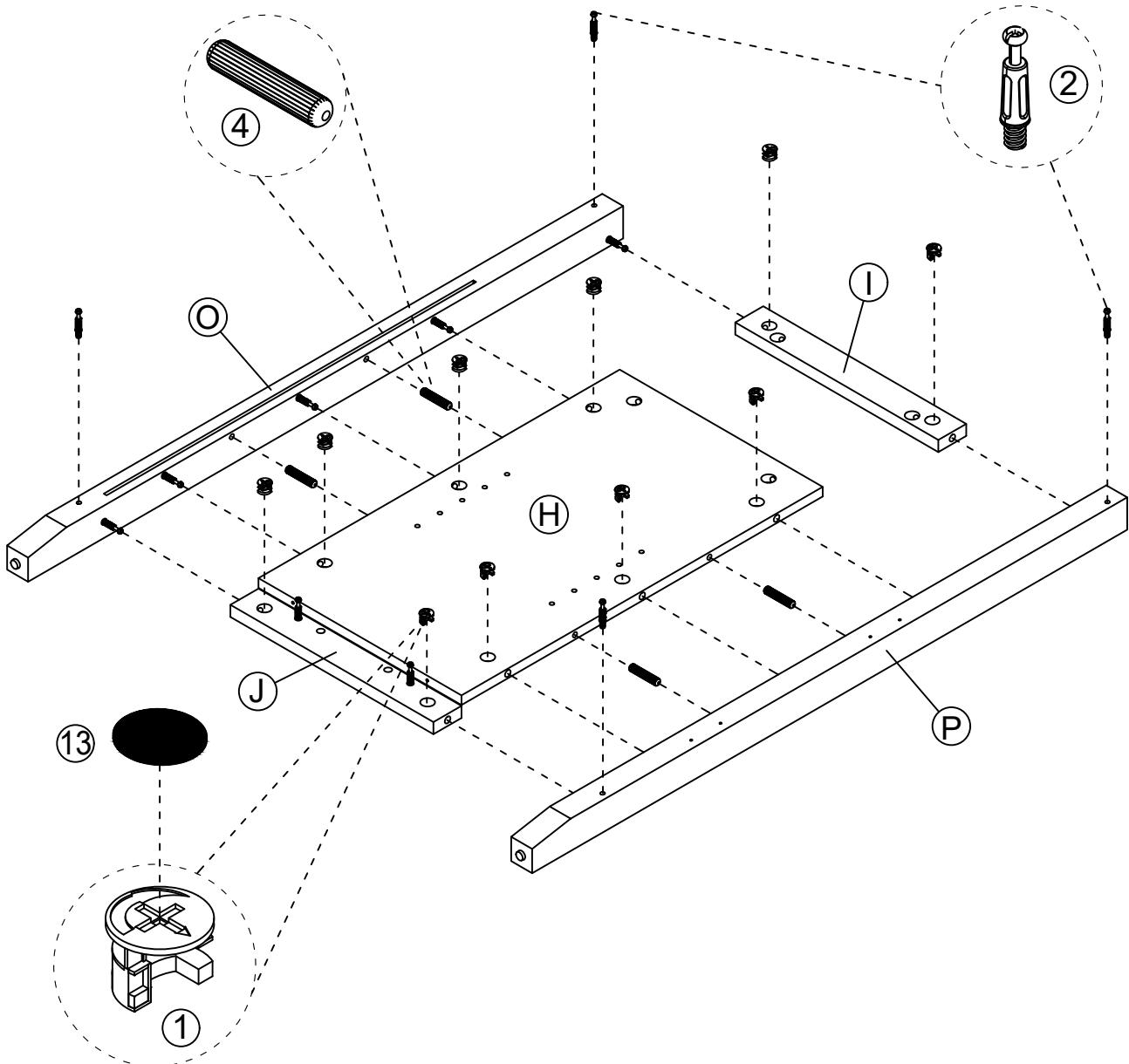
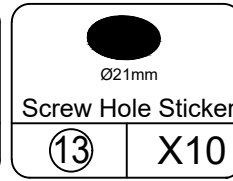
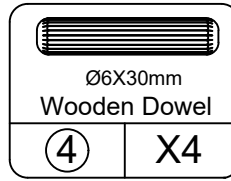
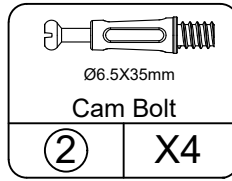
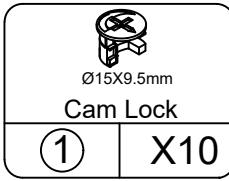
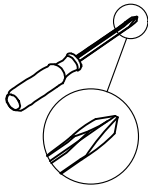
 Ø21mm Screw Hole Sticker	
⑬	X10



STEP 9

Please tighten the screws after completing all installation.

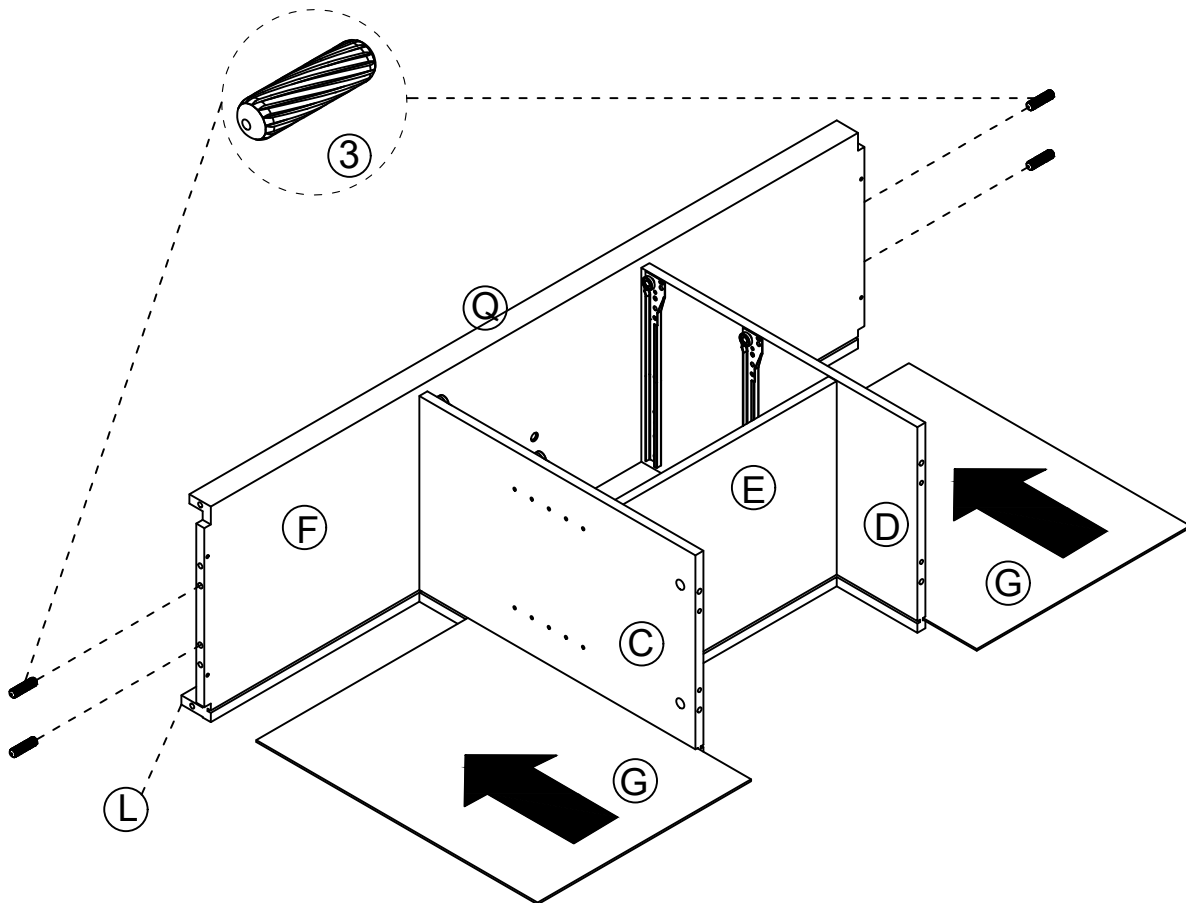
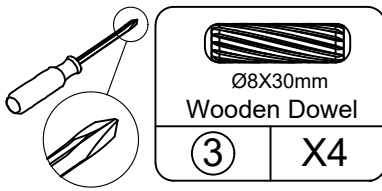
Por favor, apriete los tornillos después de instalar todo.



STEP 10

Please tighten the screws after completing all installation.

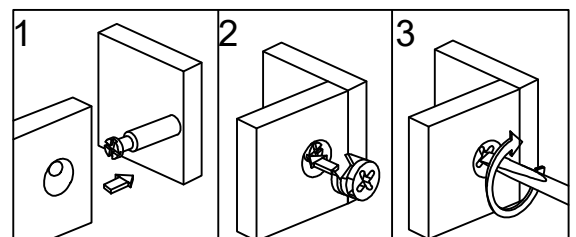
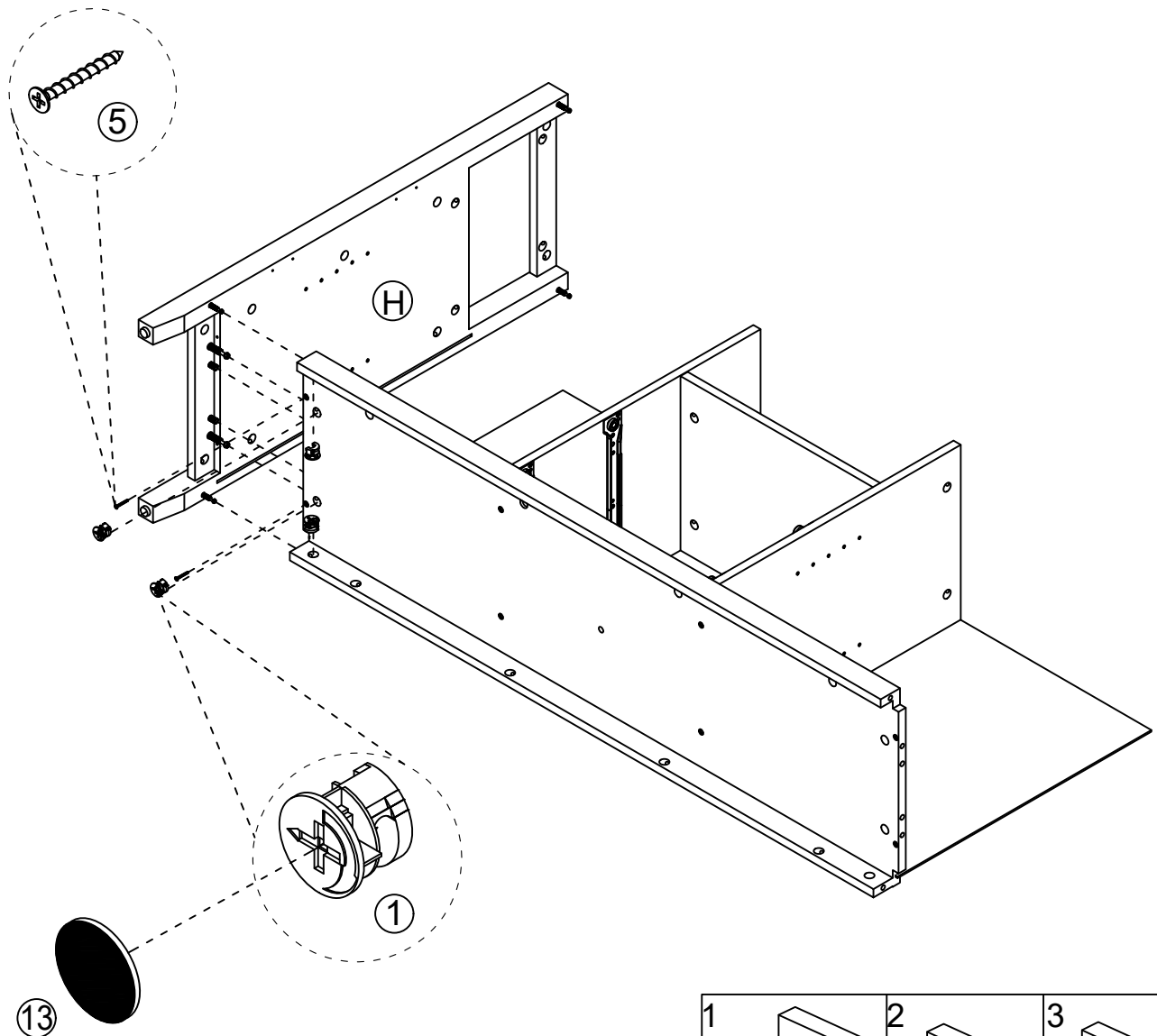
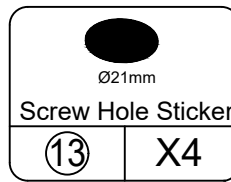
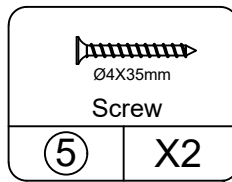
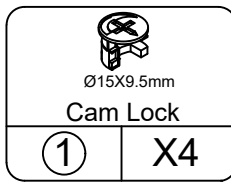
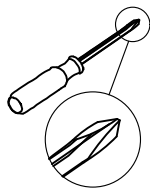
Por favor, apriete los tornillos después de instalar todo.



STEP 11

Please tighten the screws after completing all installation.

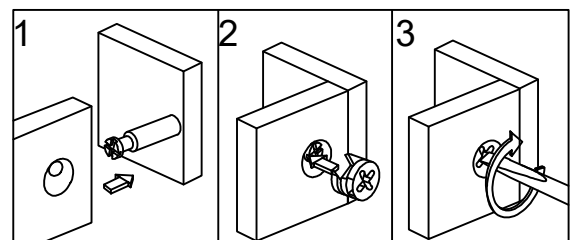
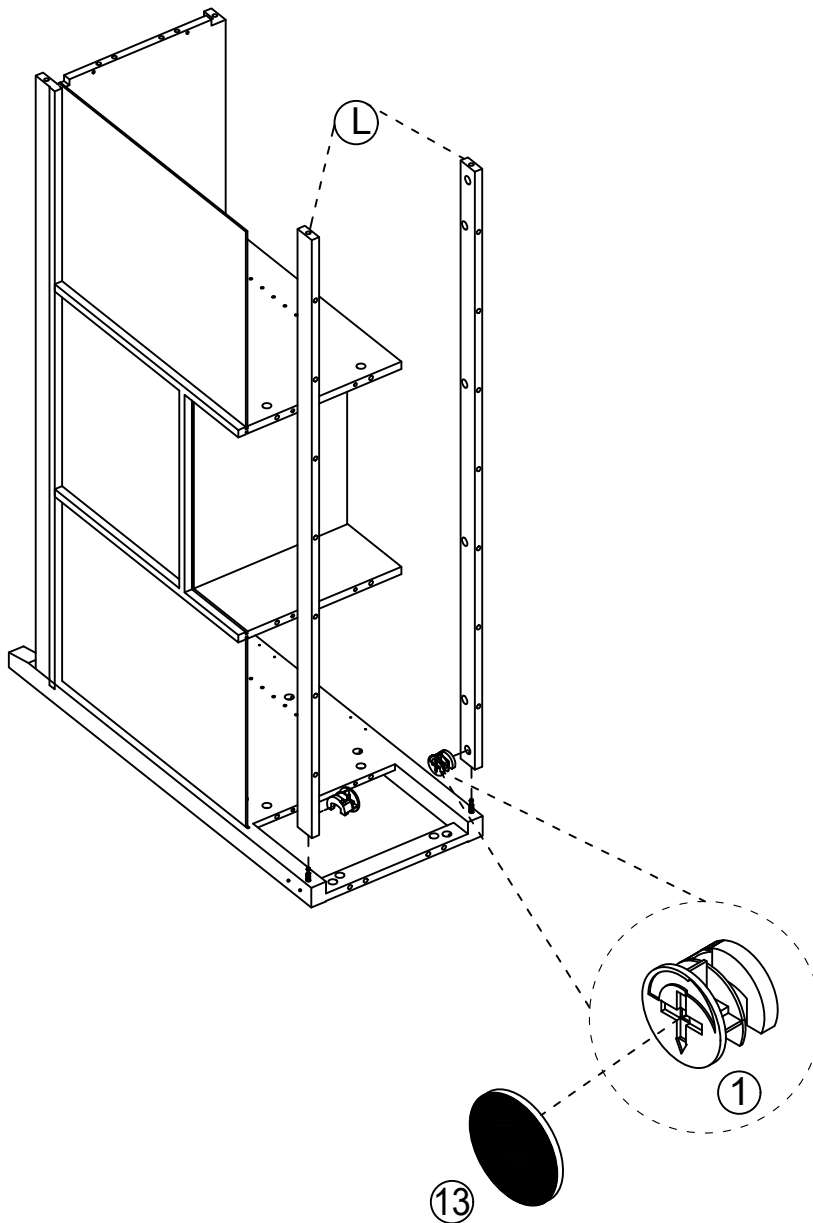
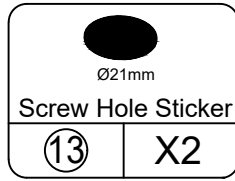
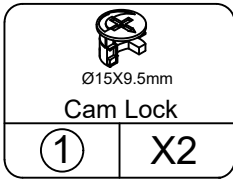
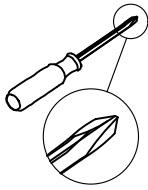
Por favor, apriete los tornillos después de instalar todo.



STEP 12

Please tighten the screws after completing all installation.

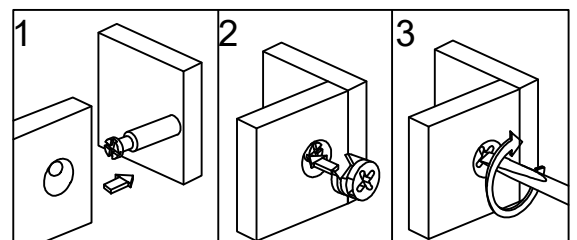
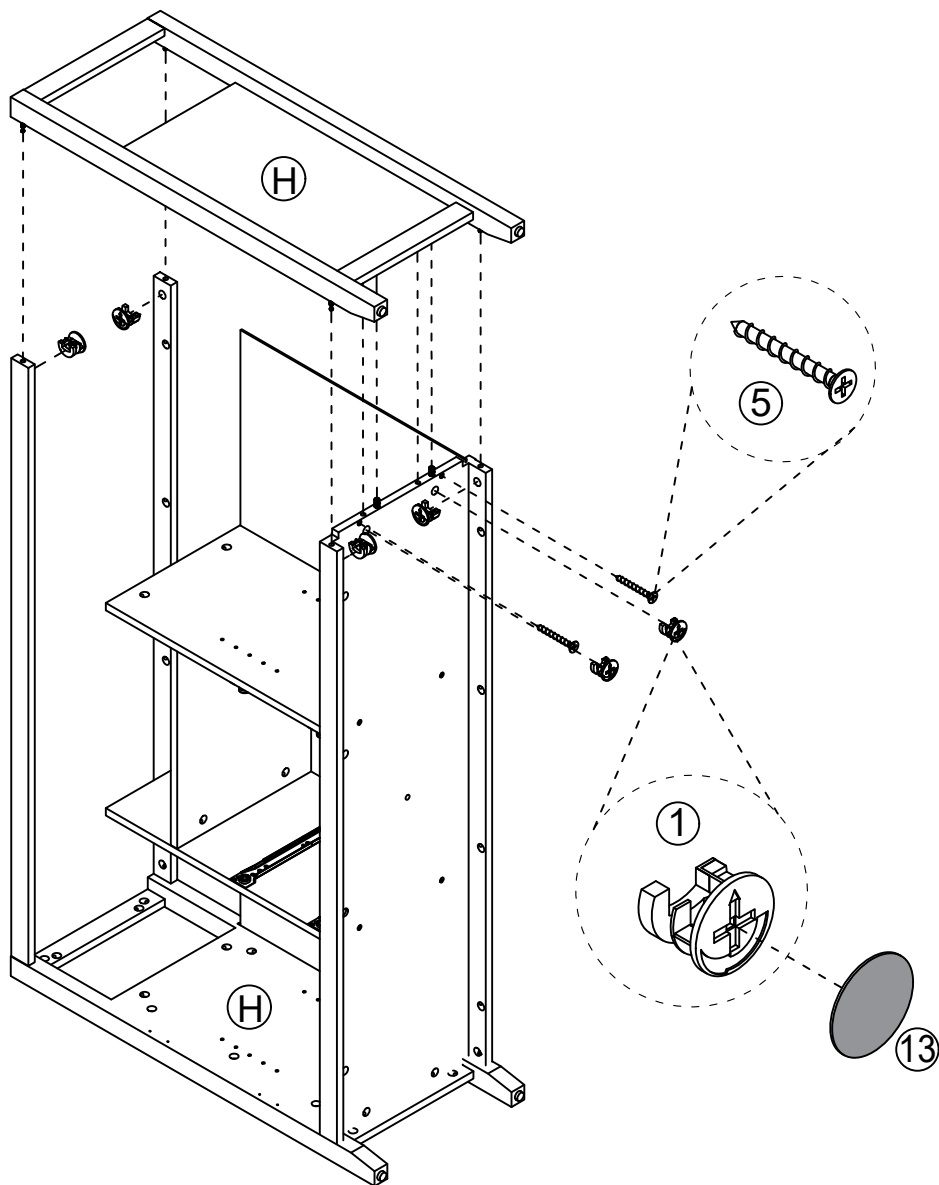
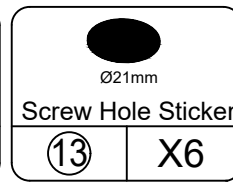
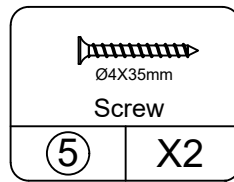
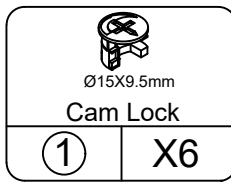
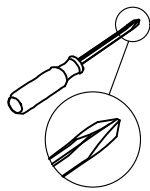
Por favor, apriete los tornillos después de instalar todo.



STEP 13

Please tighten the screws after completing all installation.

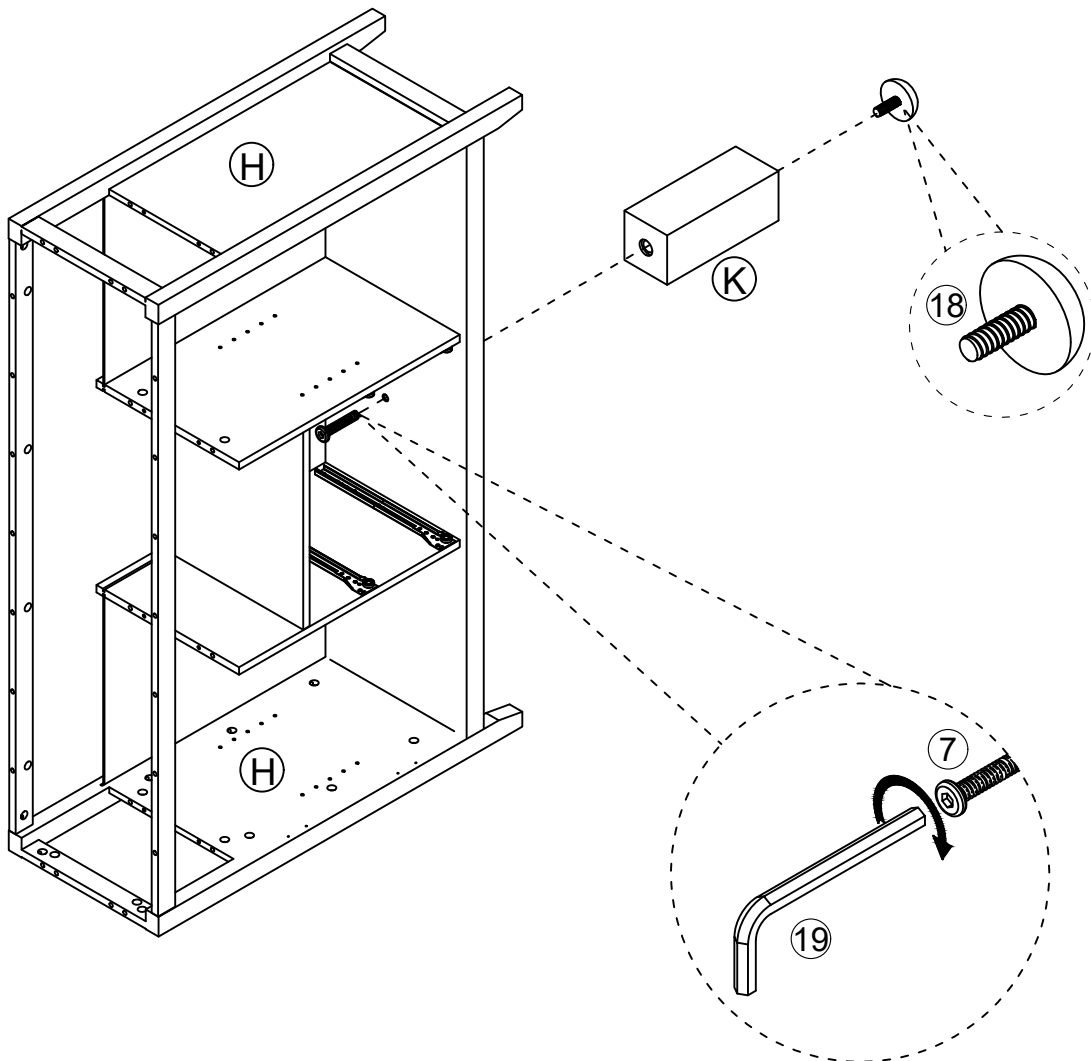
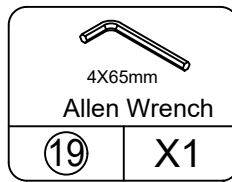
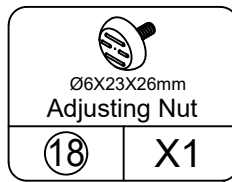
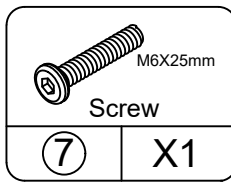
Por favor, apriete los tornillos después de instalar todo.



STEP 14

Please tighten the screws after completing all installation.

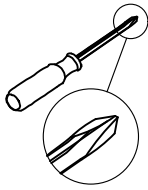
Por favor, apriete los tornillos después de instalar todo.

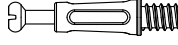



STEP 15


Please tighten the screws after completing all installation.

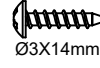
Por favor, apriete los tornillos después de instalar todo.

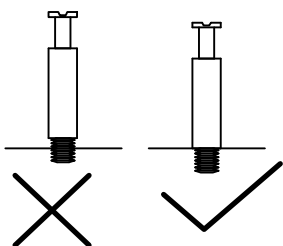
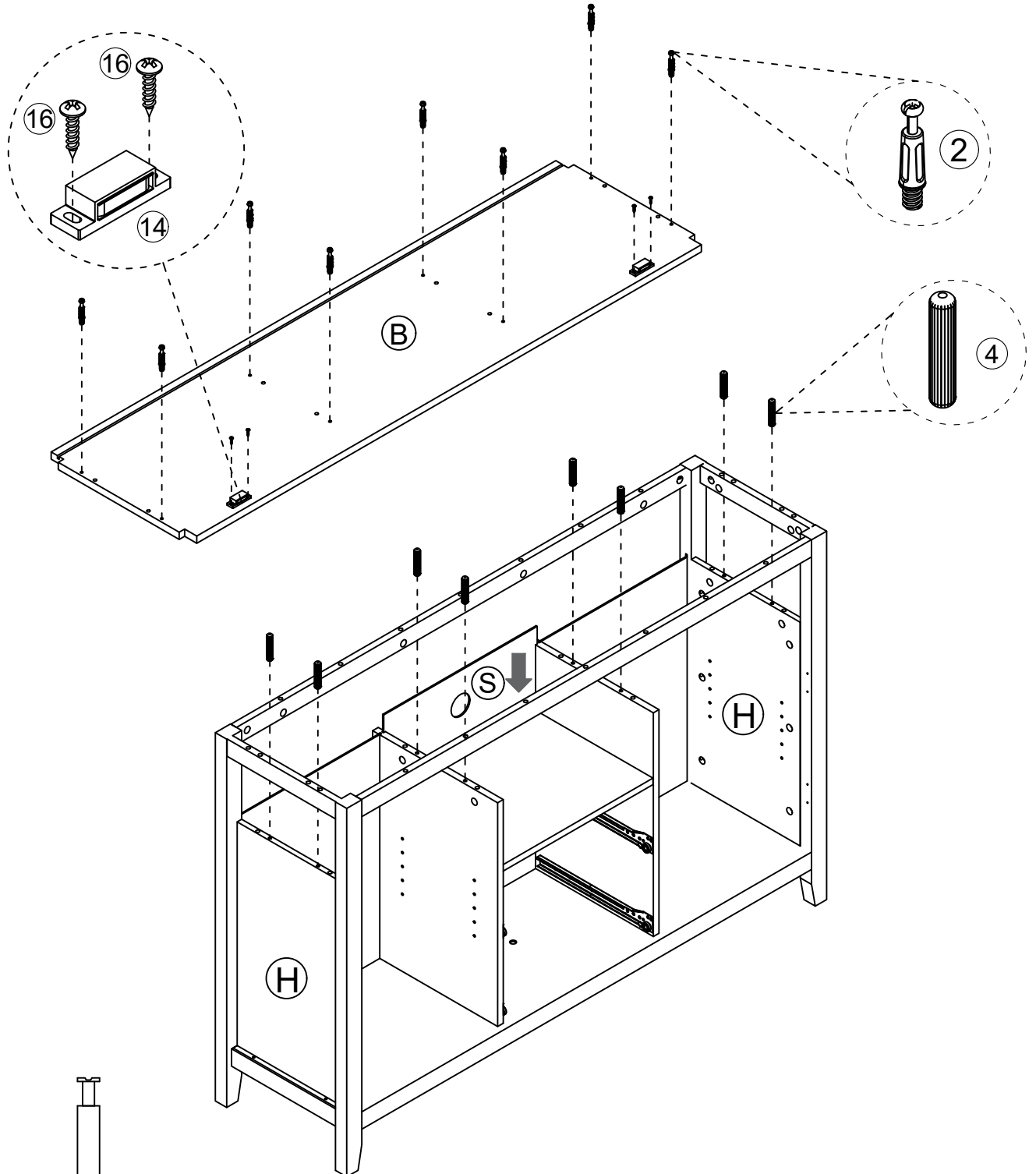


	
Ø6.5X35mm	
Cam Bolt	
(2)	X8

	
Ø6X30mm	
Wooden Dowel	
(4)	X8

	
45X16X14mm	
Magnetic Bump	
(14)	X2

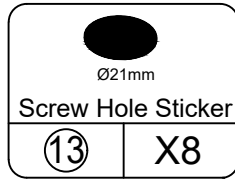
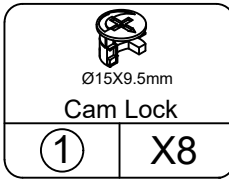
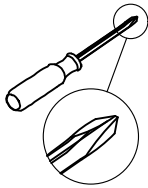
	
Ø3X14mm	
Screw	
(16)	X4



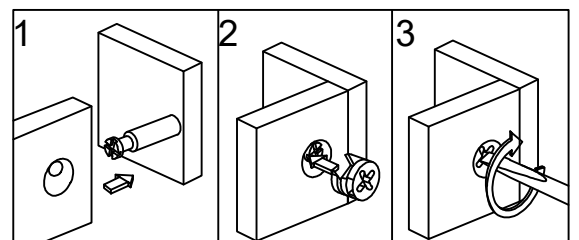
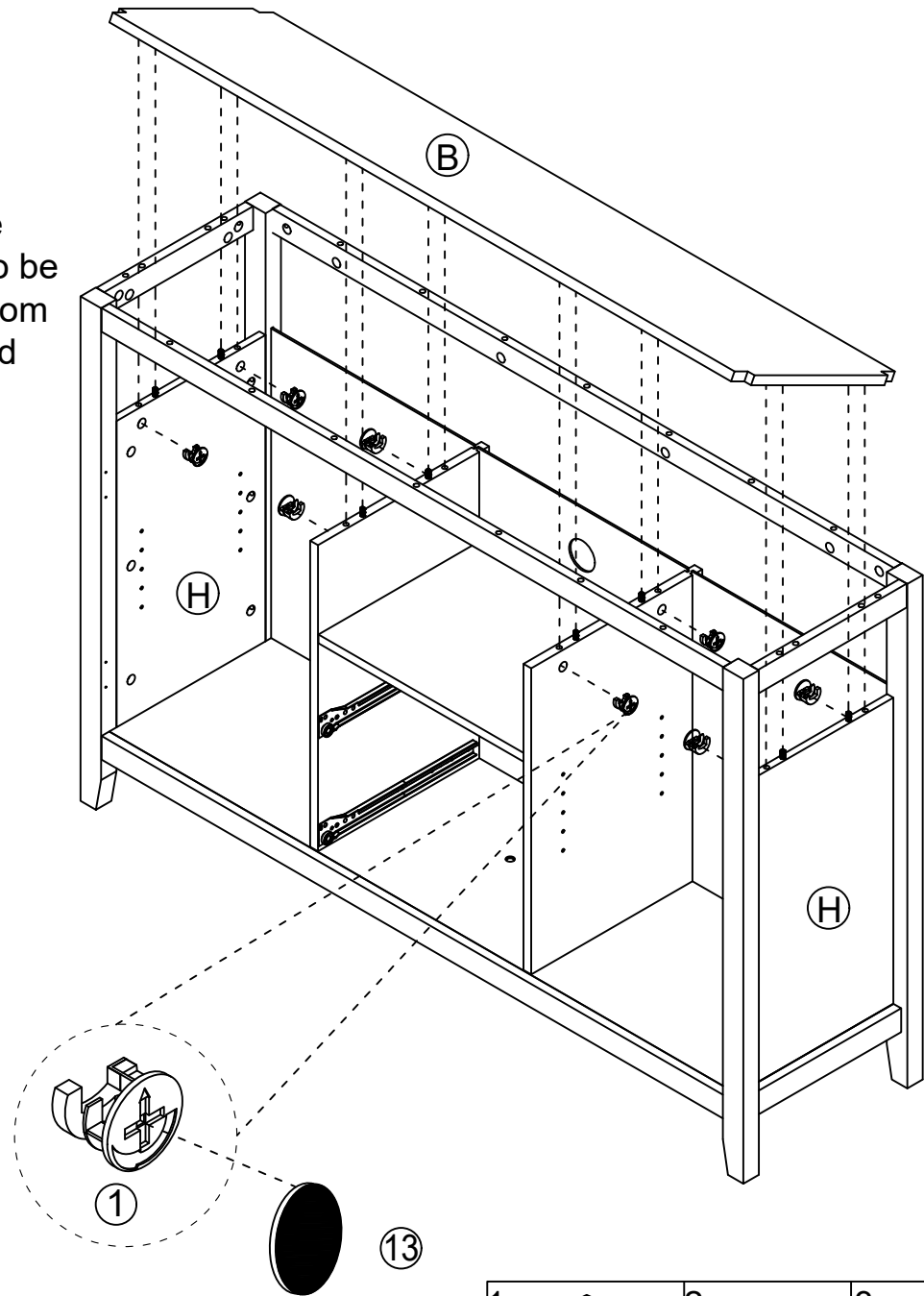
STEP 16

Please tighten the screws after completing all installation.

Por favor, apriete los tornillos después de instalar todo.



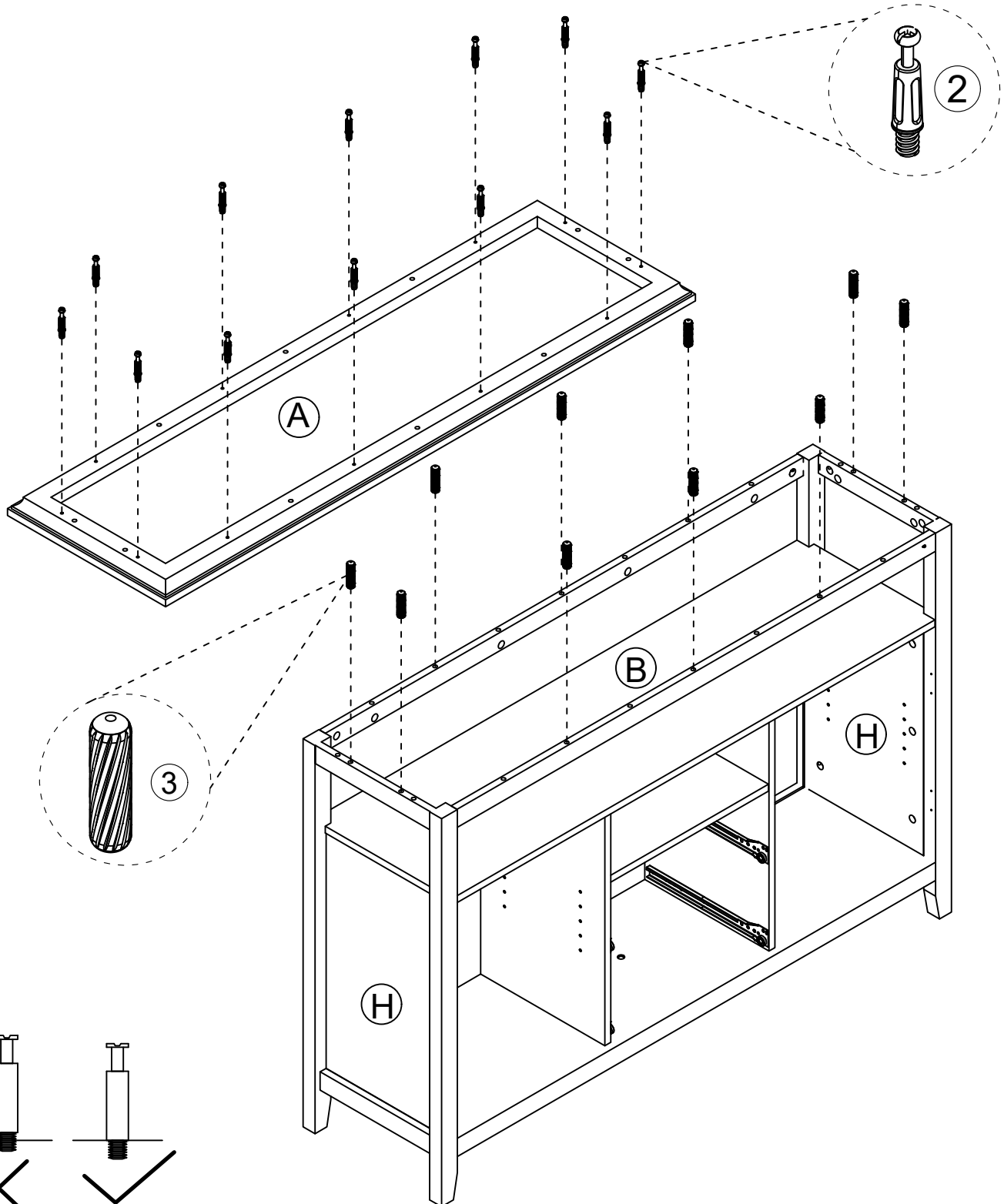
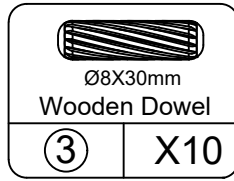
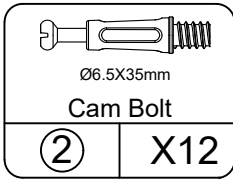
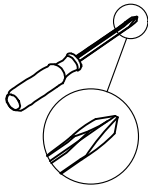
When installing the board B, it needs to be tilted downwards from the top and inserted



STEP 17

Please tighten the screws after completing all installation.

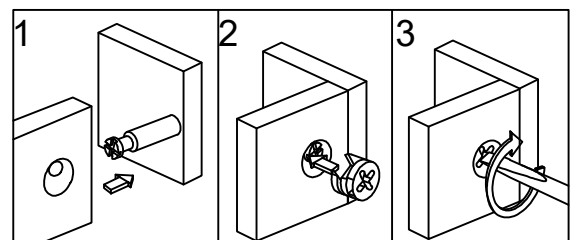
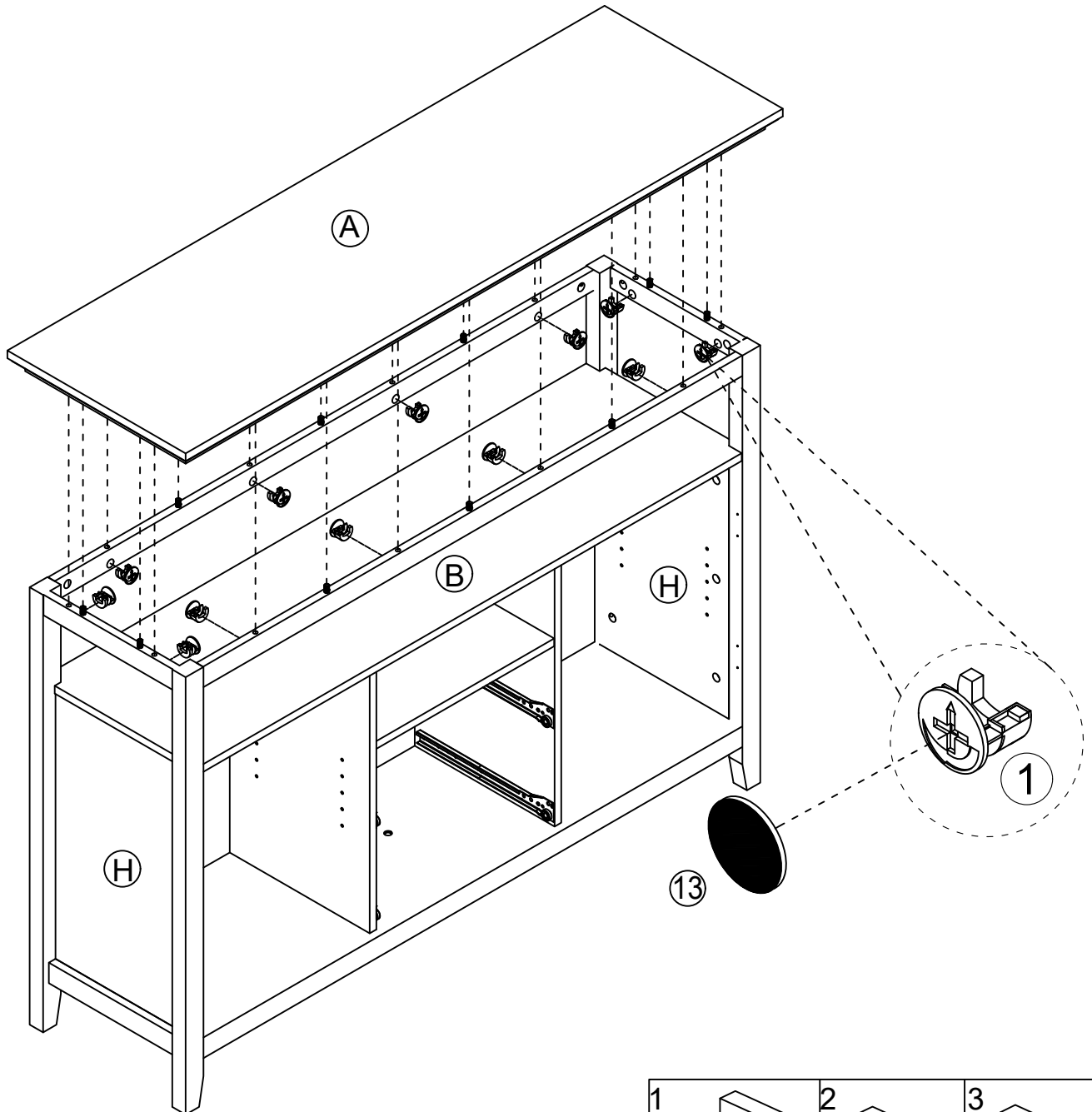
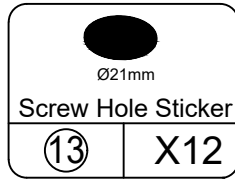
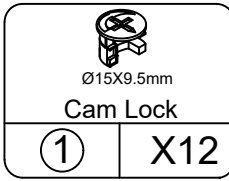
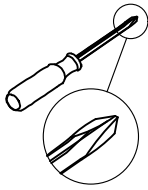
Por favor, apriete los tornillos después de instalar todo.



STEP 18

Please tighten the screws after completing all installation.

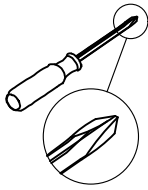
Por favor, apriete los tornillos después de instalar todo.




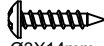
STEP 19


Please tighten the screws after completing all installation.

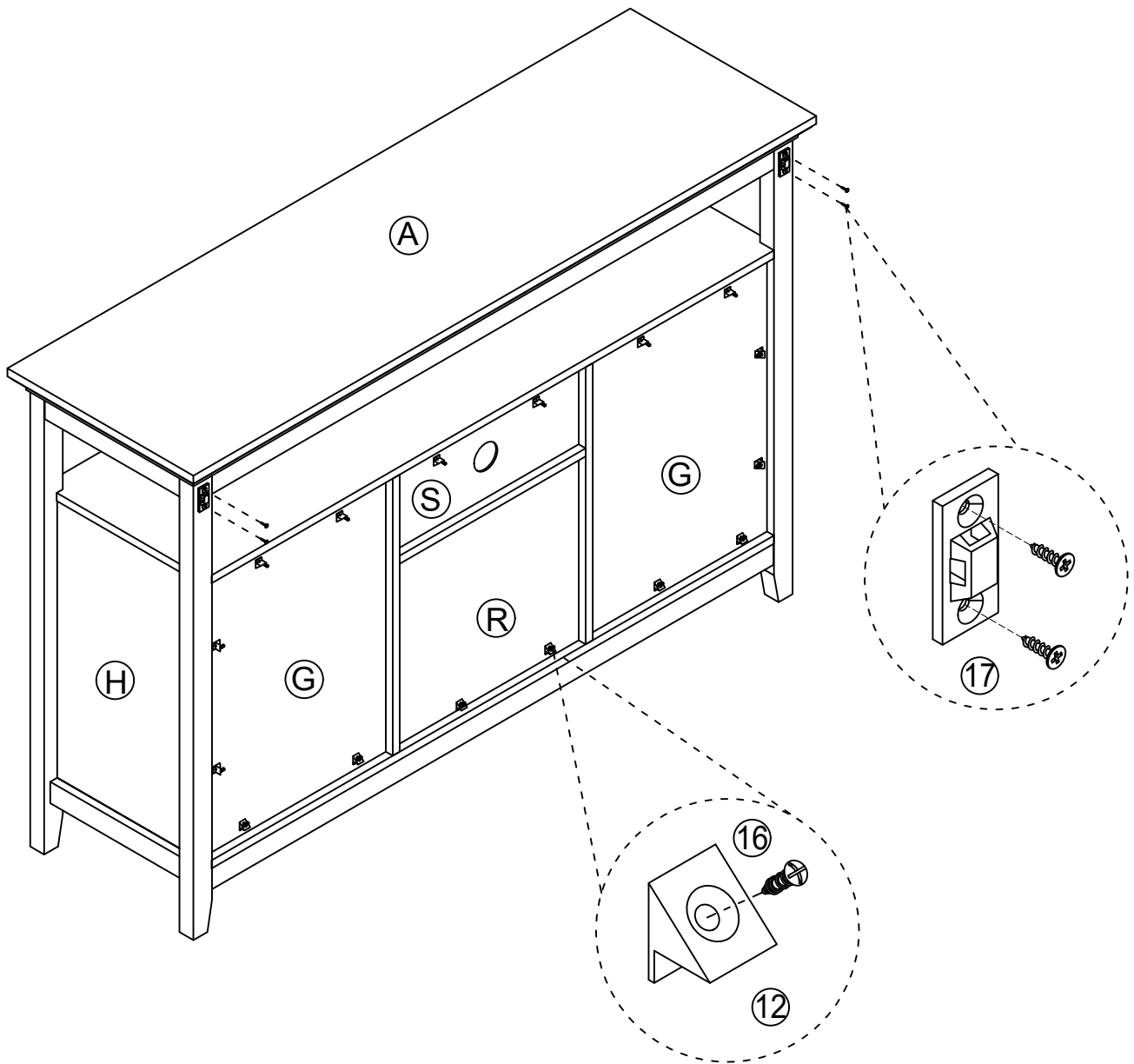
Por favor, apriete los tornillos después de instalar todo.



	Back Panel Buckle
(12)	X16

	Ø3X14mm
Screw	
(16)	X16

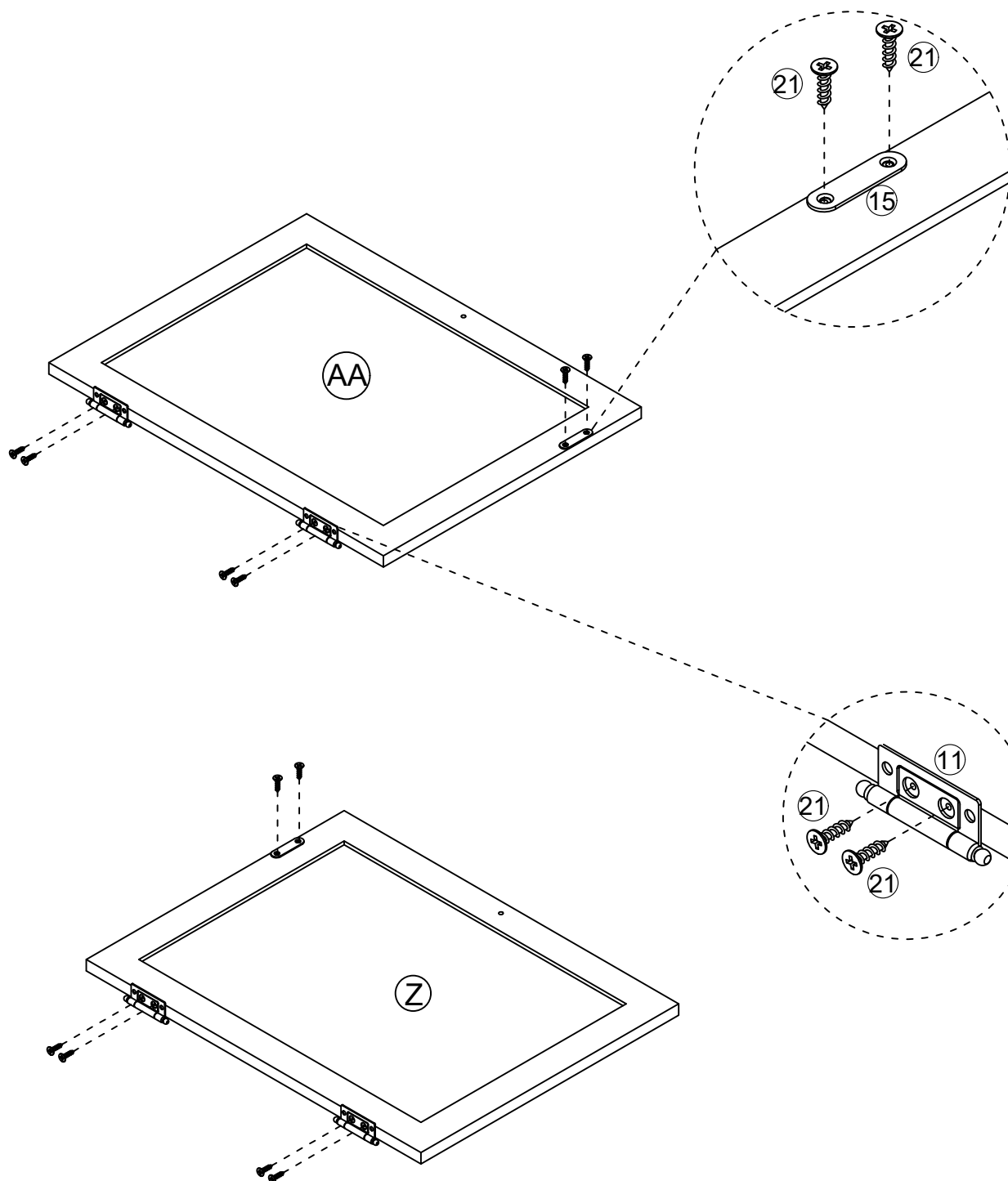
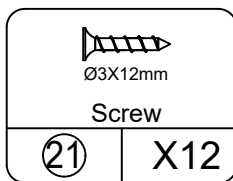
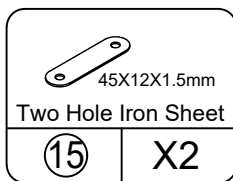
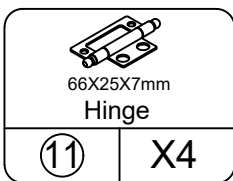
	Anti-Tipping Device
(17)	X2 set



STEP 20

Please tighten the screws after completing all installation.

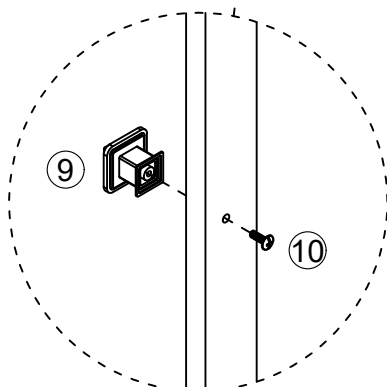
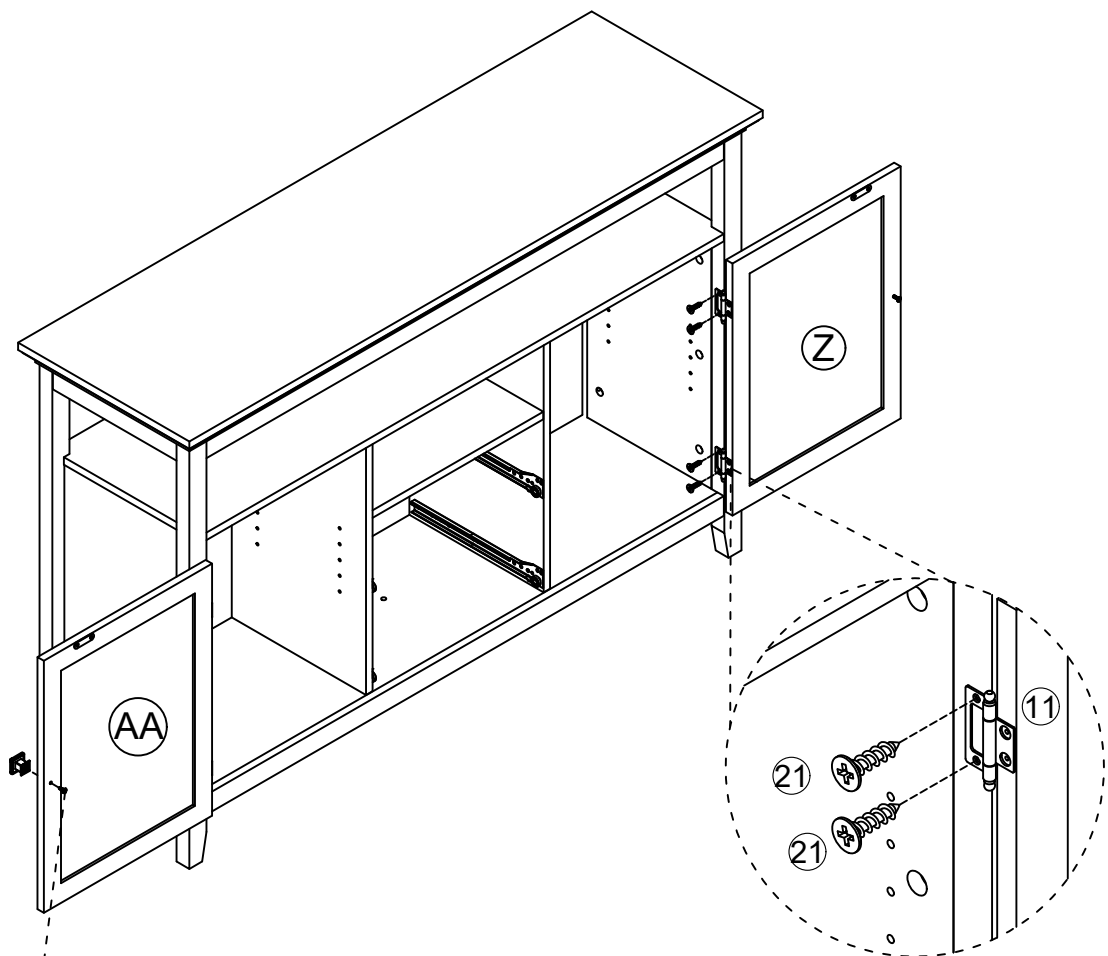
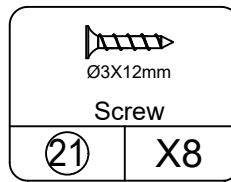
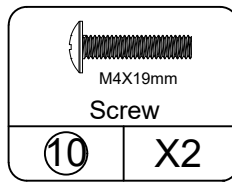
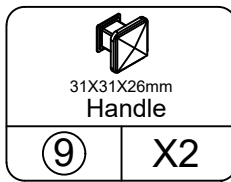
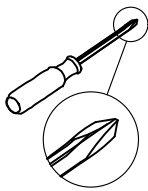
Por favor, apriete los tornillos después de instalar todo.



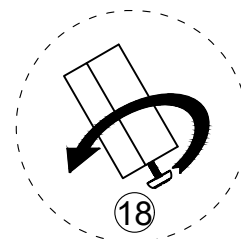
STEP 21

Please tighten the screws after completing all installation.

Por favor, apriete los tornillos después de instalar todo.



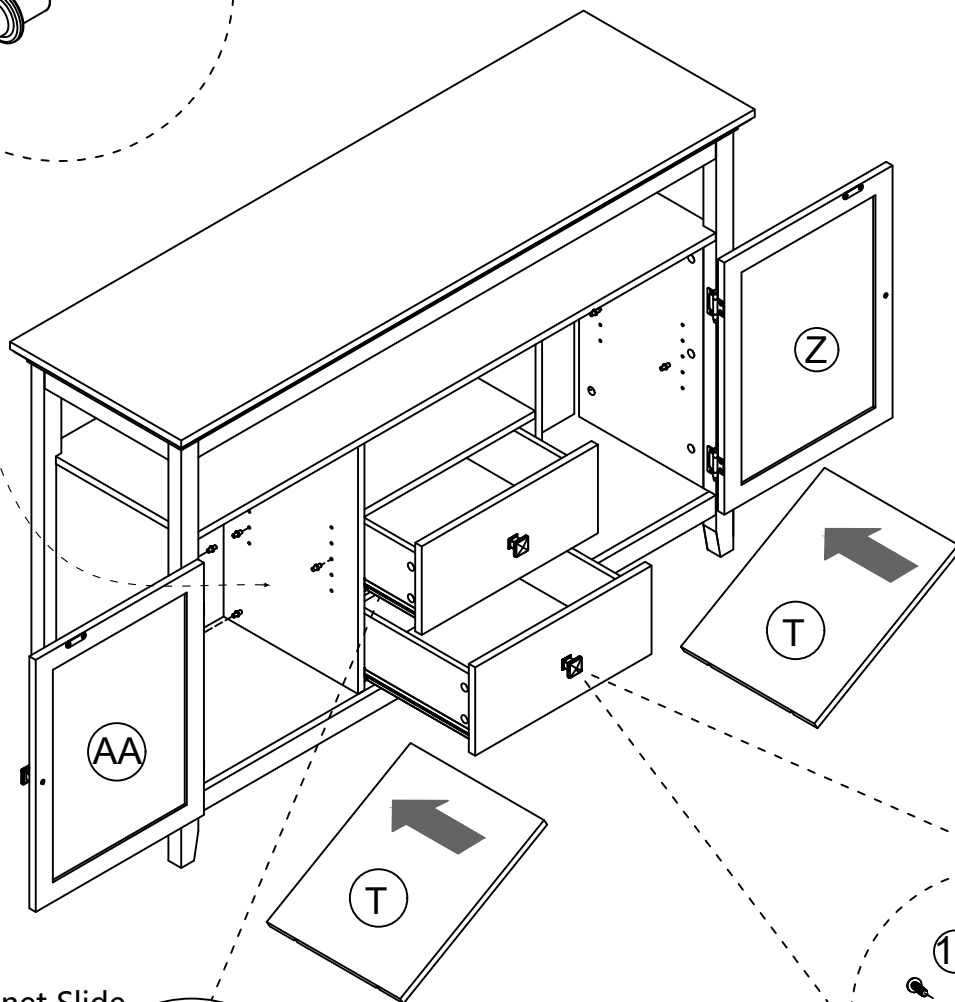
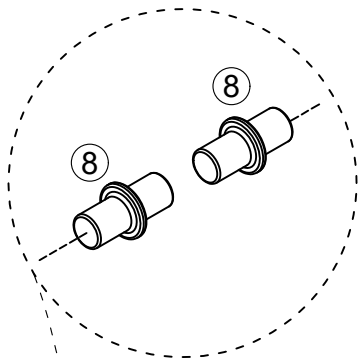
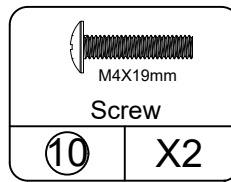
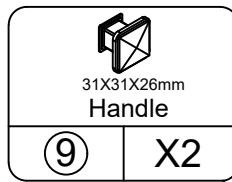
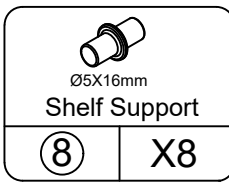
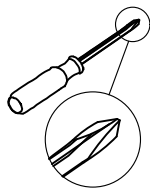
If the door does not close properly after installation, please rotate the adjustment nut numbered 18 counterclockwise to lift the center support leg



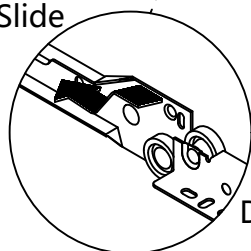
STEP 22

Please tighten the screws after completing all installation.

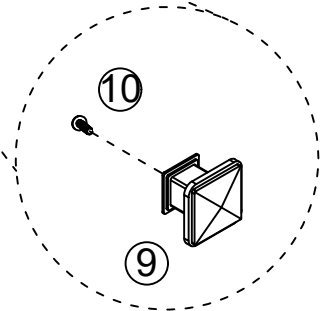
Por favor, apriete los tornillos después de instalar todo.



Cabinet Slide



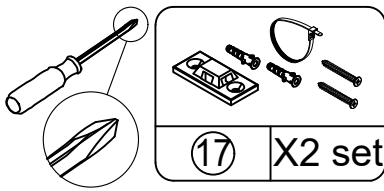
Drawer Slide



STEP 23

Please tighten the screws after completing all installation.

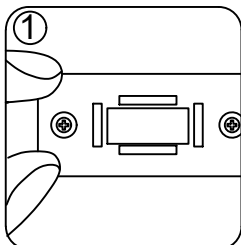
Por favor, apriete los tornillos después de instalar todo.



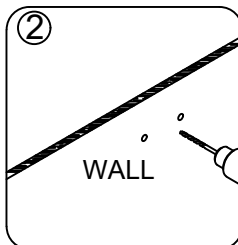
We have provided a set of tipping restraint hardware for this unit, and it is essential to install this hardware to prevent accidents or injuries that may occur if the unit tips over. When correctly installed, this restraint can offer protection against unexpected tipping caused by minor vibrations, impacts, or climbing. We highly recommend attaching this hardware to a wall stud and securing it to your unit for safety.

NOTE: The provided tipping restraint hardware is designed for use with wooden stud wall construction and should be affixed to a wall stud. If your wall construction differs, you may require alternative anchor hardware. Please consult your local hardware store for guidance. It's crucial to be aware that young children are at risk of serious injury from furniture tipping over, so you must install the provided tipping restraint hardware with the unit to prevent accidents or damage. These restraints serve as a deterrent and are not a substitute for responsible adult supervision. It's important to note that the tipping restraints are not designed for earthquake safety. If you wish to enhance security for earthquake situations, separate earthquake restraints must be acquired and installed.

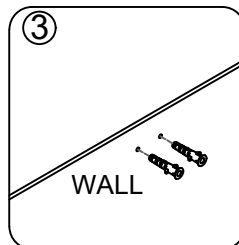
Install The Anti-Tipping Device



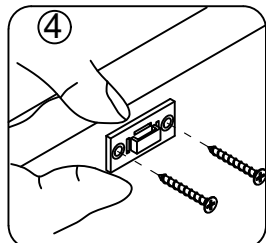
1. Mark the wall for reference.



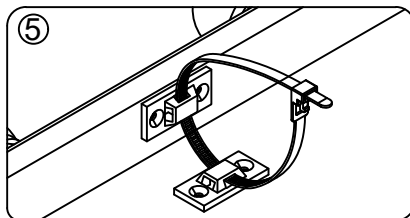
2. Drill two Ø6 holes in the wall.



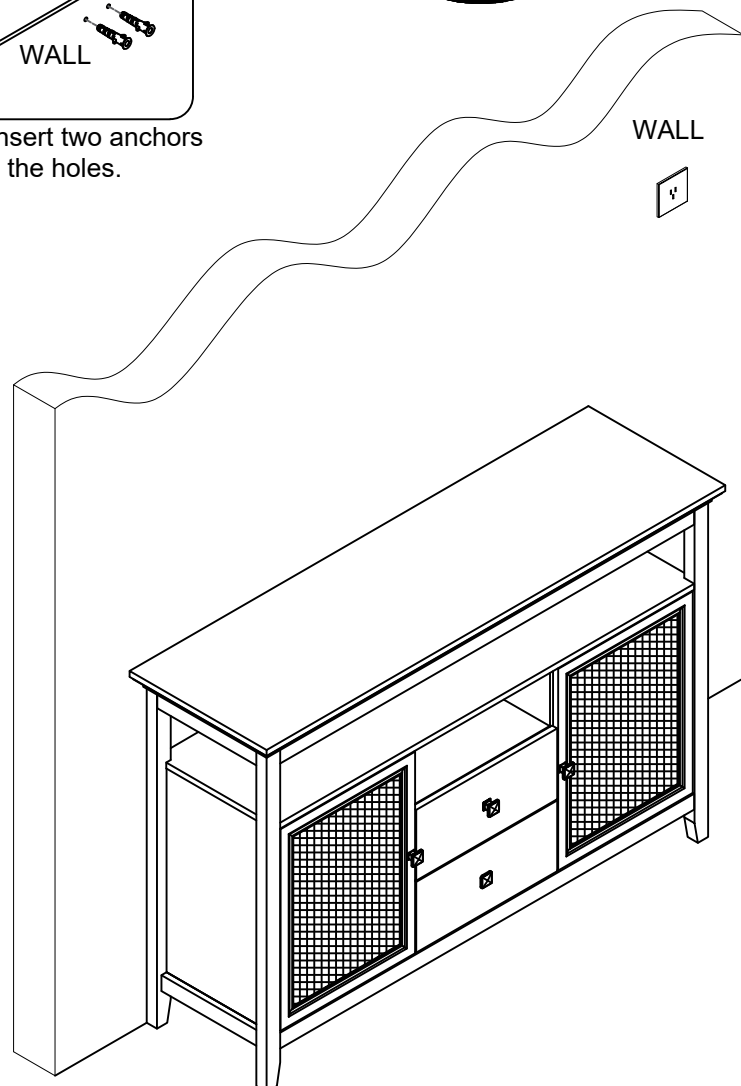
3. Insert two anchors into the holes.



4. Secure the device to the wall using the provided long screws.



5. Position the cabinet near the wall, aligning the two bases. Attach a nylon tie to ensure a snug fit.





MAINTENANCE AND CARE

Prevent Moisture Damage:

Safeguard your laminate furniture by keeping it in a dry environment. Store the furniture away from damp areas and water sources.

Sunlight Shielding:

Shield your laminate furniture from direct sunlight to prevent color fading and surface deterioration. Consider using curtains or blinds for protection, especially if direct sunlight exposure is unavoidable.

Regular Care:

Maintain your laminate furniture's appearance by gently wiping surfaces with a damp cloth. Avoid using overly wet cloths or abrasive cleaning tools.

Avoid Scratches:

Protect the furniture surface from scratches by refraining from placing sharp or hard objects on it. When moving the furniture, be cautious not to scrape the legs against the floor.

Proper Weight Distribution:

Prevent structural damage by placing heavy objects on stable support surfaces rather than directly on the laminate furniture's surface. This simple step can prolong the life of your furniture.



WARRANTY INFORMATION

Warranty Coverage: Our warranty provides protection against manufacturing defects in materials and workmanship for a specified period from the date of purchase, as outlined in the accompanying warranty documentation.

Exclusions: The warranty does not cover damages resulting from misuse, negligence, accidents, normal wear and tear, unauthorized repairs or modifications, improper assembly, or failure to adhere to the care and maintenance guidelines provided.



MANTENIMIENTO Y CUIDADO

Evite daños por humedad:

Proteja sus muebles laminados manteniéndolos en un ambiente seco. Guarde los muebles lejos de zonas húmedas y fuentes de agua.

Protéjalos de la luz solar:

Proteja sus muebles laminados de la luz solar directa para evitar la pérdida de color y el deterioro de la superficie. Considere el uso de cortinas o persianas como protección, especialmente si la exposición directa a la luz solar es inevitable.

Cuidado regular:

Mantenga el aspecto de sus muebles laminados limpiando suavemente las superficies con un paño húmedo. Evite utilizar paños demasiado húmedos o herramientas de limpieza abrasivas.

Evite los arañazos:

Proteja la superficie del mueble de arañazos evitando colocar objetos afilados o duros sobre ella. Al mover el mueble, tenga cuidado de no raspar las patas contra el suelo.

Distribución adecuada del peso:

Evite daños estructurales colocando objetos pesados sobre superficies de apoyo estables en lugar de directamente sobre la superficie del mueble laminado. Este sencillo paso puede prolongar la vida de sus muebles.



INFORMACIÓN SOBRE LA GARANTÍA

Cobertura de la garantía: Nuestra garantía proporciona protección contra defectos de fabricación en materiales y mano de obra durante un período determinado a partir de la fecha de compra, como se indica en la documentación de garantía adjunta.

Exclusiones: La garantía no cubre los daños resultantes de uso indebido, negligencia, accidentes, desgaste normal, reparaciones o modificaciones no autorizadas, montaje incorrecto o incumplimiento de las directrices de cuidado y mantenimiento proporcionadas. Las directrices de cuidado y mantenimiento proporcionadas.