

INSTALLATION & ASSEMBLY

- **Twin/XL**

[CLICK HERE](#)

Size: 75"L×38"W / 80"L×38"W

- **Full**

[CLICK HERE](#)

Size: 75"L×54"W

- **Queen**

[CLICK HERE](#)

Size: 80"L×60"W

- **King**

[CLICK HERE](#)

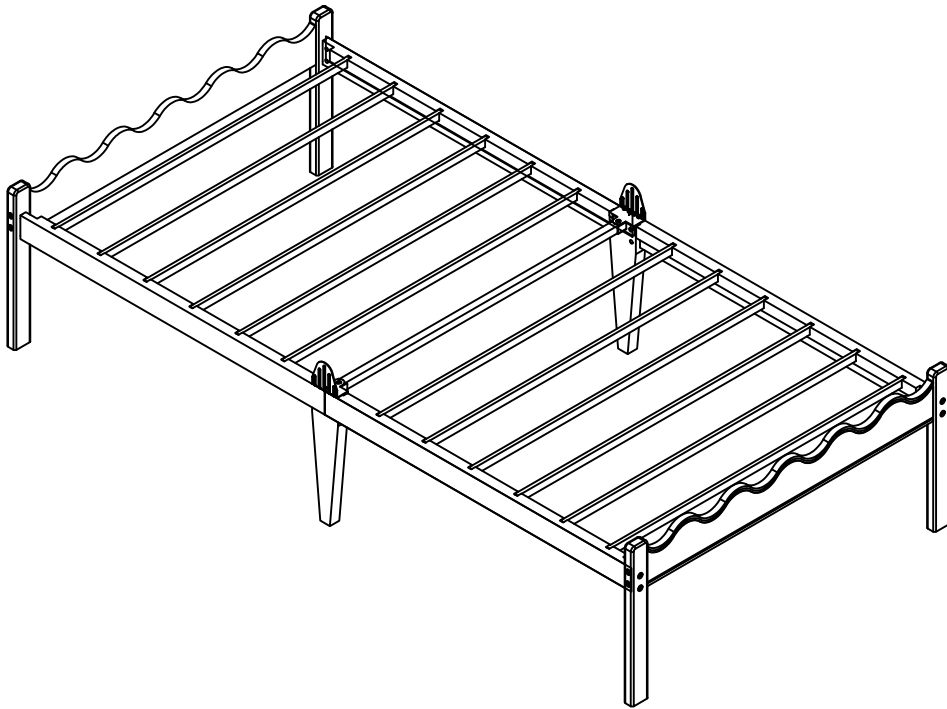
Size: 80"L×76"W



ASSEMBLY INSTRUCTION

SIZE: TWIN/TWIN XL(01/02)

Notice: This instruction manual applies to twin/twin xl size.

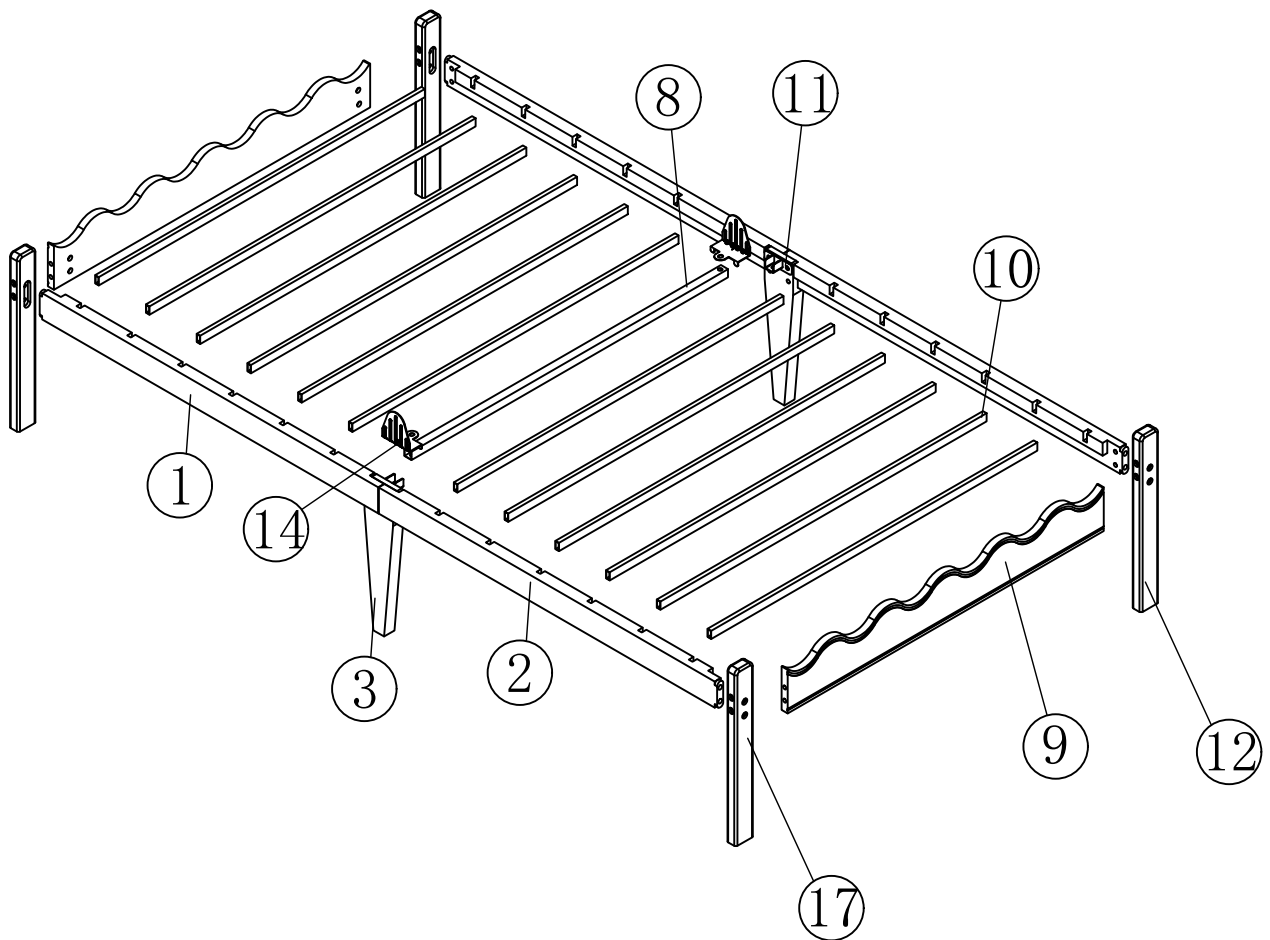


**Excellent Customer Service-Please Contact Us Before
Return Our Product!**

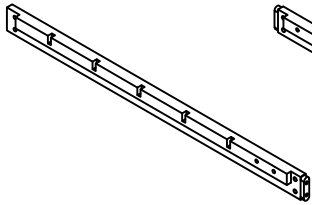
All of our products have been tested before packing, but If any parts are missing or damaged, please contact us, we will reply to you ASAP. When replacing parts or hardware, please log in to your account and message the seller. It will better to include applicable photos or provide the part number and quantity.

Parts & Hardware

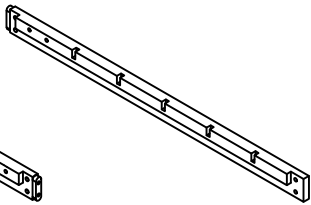
1. This page lists all the items included in this package. Please identify the hardware and individual components before beginning assembly.
2. This model includes only the parts numbered above. Skipped numbers indicate that the part is not used on this model.



Parts & Hardware



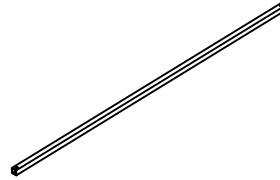
① Left Side Rail
2PCS



② Right Side Rail
2PCS



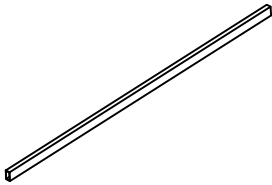
③ Middle Support Leg
2PCS



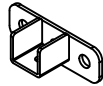
⑧ Center Support Bar
1PCS



⑨ Footboard
2PCS



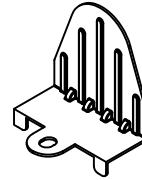
⑩ Slat
12PCS



⑪ Connector-A
2PCS



⑫ Foot of Bed
2PCS



⑭ Mattress Gasket
2PCS



⑰ Foot of Bed-B
2PCS



A×10PCS
M8*27
+1(spare)



B×8PCS
M6*53
+1(spare)



C×8PCS
M6*78
+1(spare)



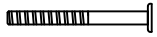
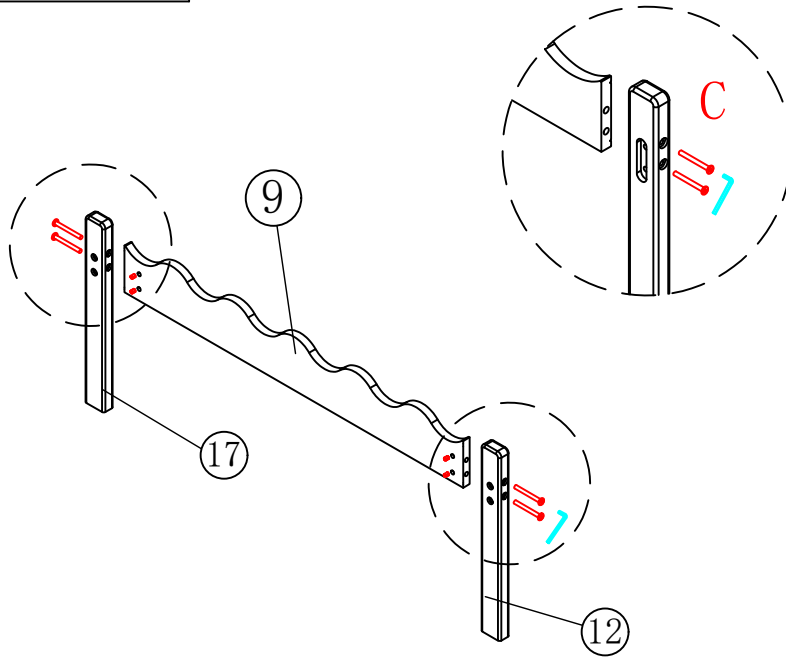
F×4PCS
M8
+1(spare)



H×16PCS
+1(spare)



Installation



C×4PCS
M6*78

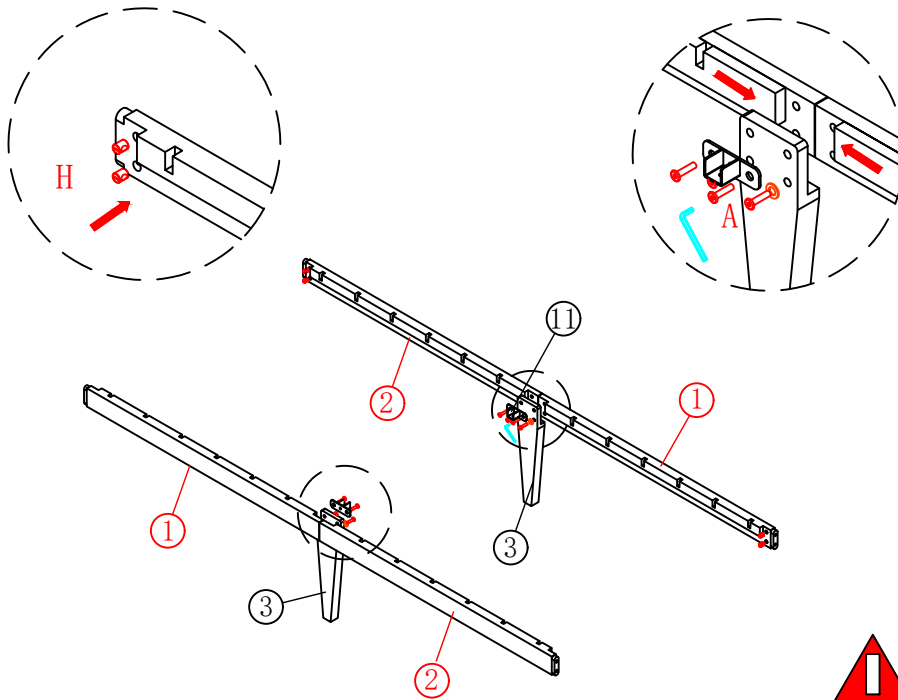


H×4PCS

Step 1

Assemble the Footboard

- Position the footboard ⑨ between the foot of bed ⑫.
- Insert the bolts (H) through the pre-drilled holes on the foot of bed.
- Hand-tighten all bolts first to ensure proper alignment.
- After alignment, use an appropriate tool to completely tighten all the bolts (C).



A×8PCS
M8*27



H×8PCS



F×4PCS

Step 2

Assemble the Side Rails

- Connect the left side rails ①, left side rails ② and middle support leg ③ using connectors-A ⑪ and eight bolts (A) and washer (F). The washers should be installed to the bottom holes.
- Insert the nut (H) into the edge part of the side rail.

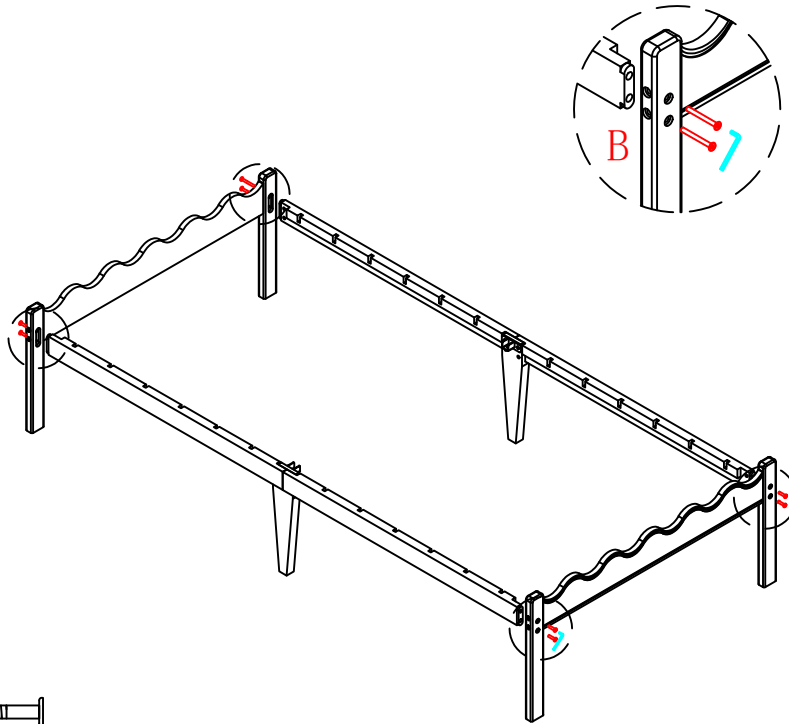


Note: Follow the direction indicated by the red arrow in the detailed view for proper installation. ⑪ It should be placed in the two screw holes above ③.

Step 3

Assemble the Bed Frame

- Align the mounting brackets on the side rails with the corresponding holes on both the headboard and side bracket.
- After all the bolts are in place, use the included hexagonal wrench to tighten bolts (B).

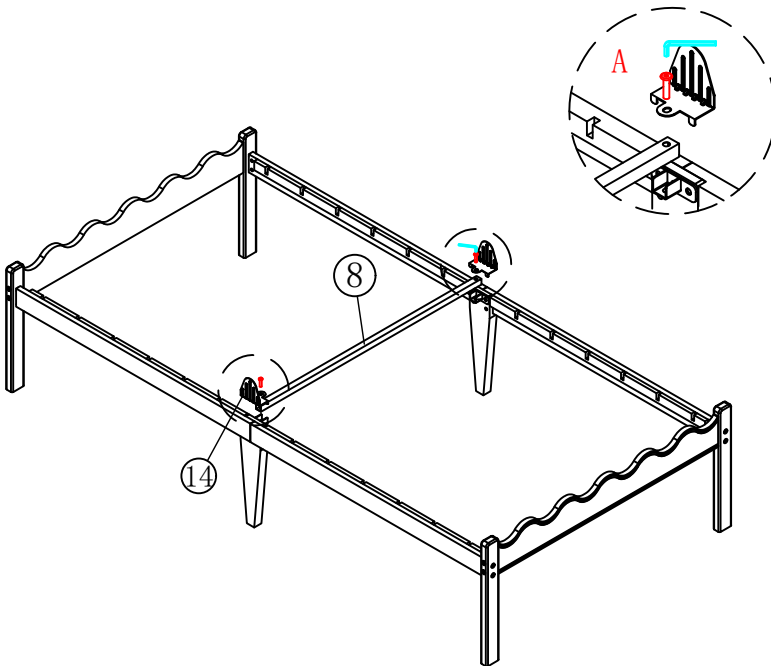


B×8PCS
M6*53

Step 4

Attach the Center Support Bar

- Use bolts (A) to lock the center support bar ⑧ onto the connectors-A ⑪.
- At the center, mattress gasket ⑭ can be optionally installed.
- After installation is completed, tighten all the bolts.



A×2PCS
M8*27

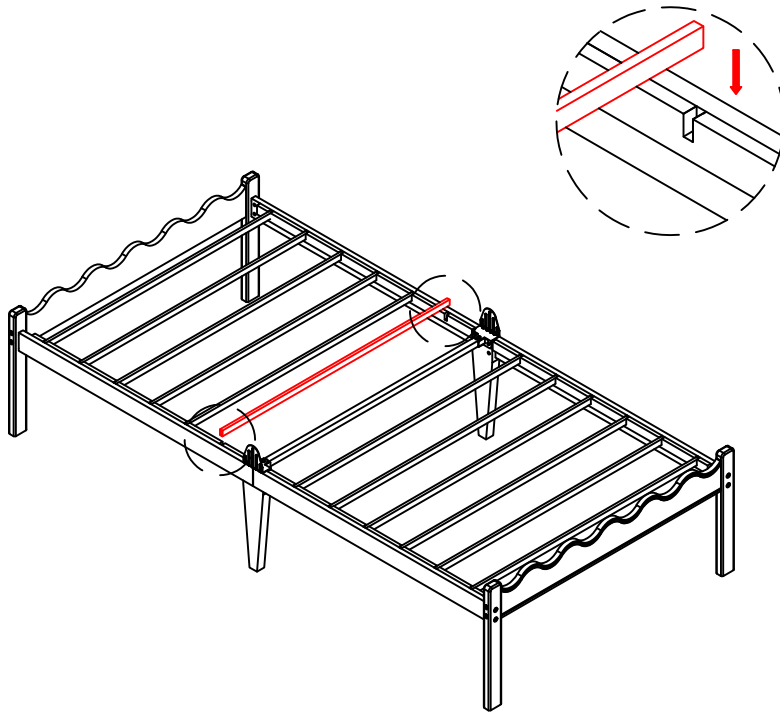


Note: Ensure all connections are properly aligned before final tightening. This step is crucial for the bed's stability.

Step 5

Place the Bed Slats

- Place all bed slats ⑩ across the side rails.

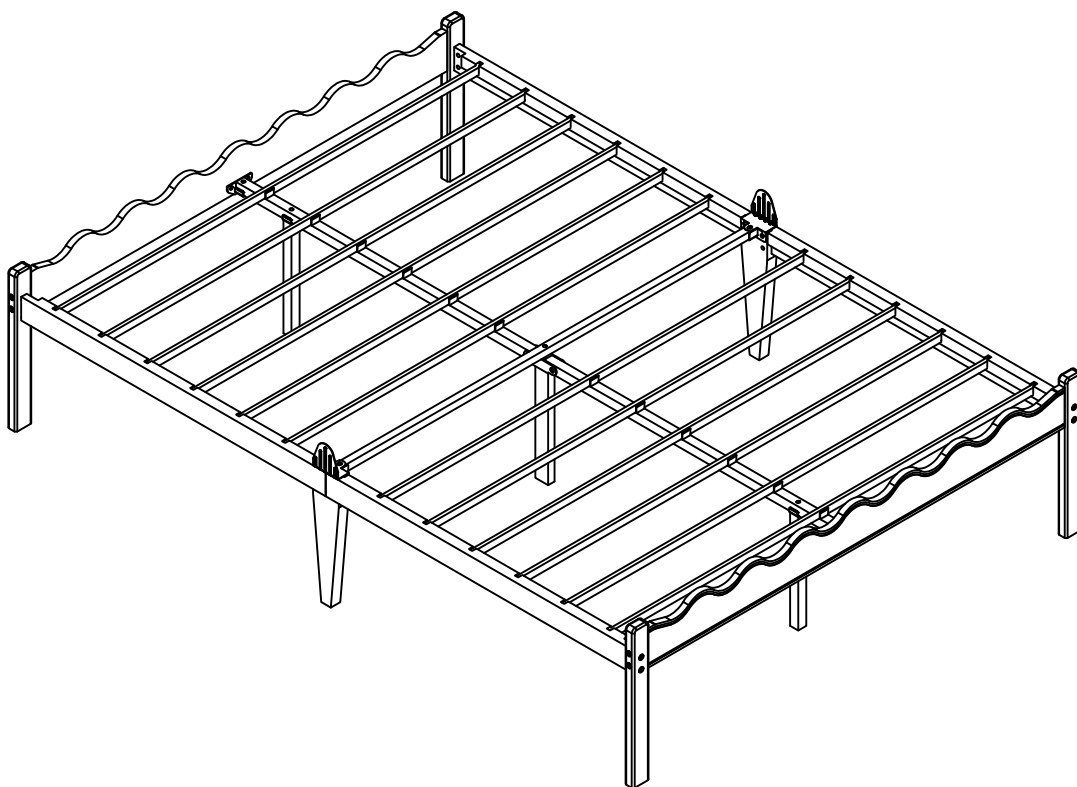


Note: Before completing assembly, double-check that all screws and components are fully tightened.

ASSEMBLY INSTRUCTION

SIZE: FULL/QUEEN/KING(03/04/05)

Notice: This instruction manual applies to full/queen/king size.



Excellent Customer Service-Please Contact Us Before

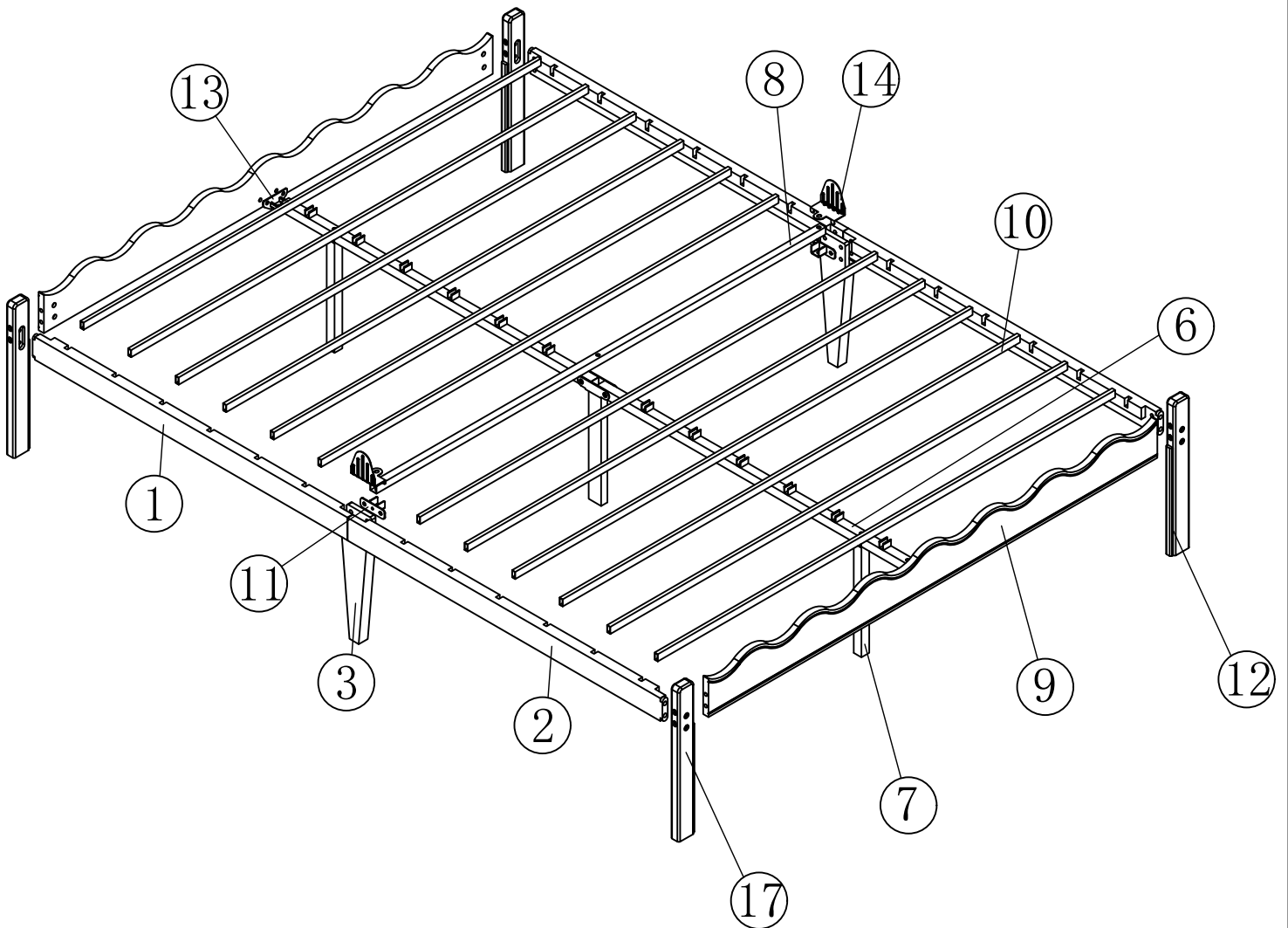
5HWXUQ 2XU 3URGXFW

All of our products have been tested before packing, but If any parts are missing or damaged, please contact

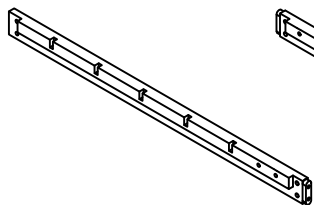
XV ZH ZLOO UHSO\ WR \RX \$6\$3 :KHQ UHSODFLQJ SDUWV RU KDUGZDU
WKH VHOOHU ,W ZLOO EHWWHU WR LQFOXGH DSSOLFDEOH SKRWRV RU

Parts & Hardware

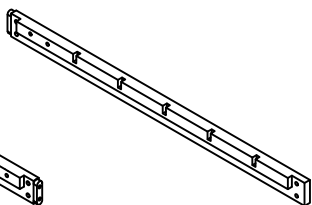
1. This page lists all the items included in this package. Please identify the hardware and individual components before beginning assembly.
2. This model includes only the parts numbered above. Skipped numbers indicate that the part is not used on this model.



Parts&Hardware



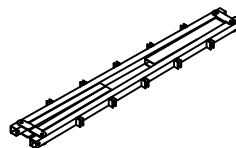
① Left Side Rail
2PCS



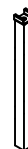
② Right Side Rail
2PCS



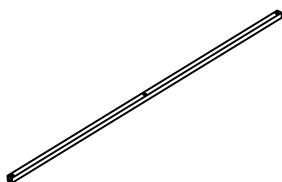
③ Middle Support Leg
2PCS



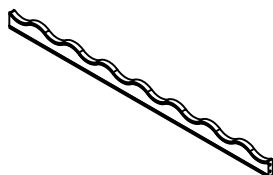
⑥ Center Support Rail
1PCS



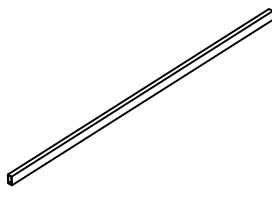
⑦ Support leg
2pc



⑧ Center Support Bar
1PCS



⑨ Footboard
2PCS



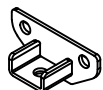
⑩ Slat
12PCS



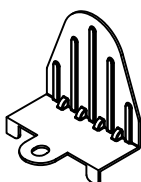
⑪ Connector-A
2PCS



⑫ Foot of Bed
2PCS



⑬ Connector-B
2PCS



⑭ Mattress Gasket
2PCS



⑰ Foot of Bed-B
2PCS



A×10PCS
M8*27
+1(spare)



B×8PCS
M6*53
+1(spare)



C×8PCS
M6*78
+1(spare)



D×1PCS
M8*53



E×4PCS
M8*14



F×4PCS
M8



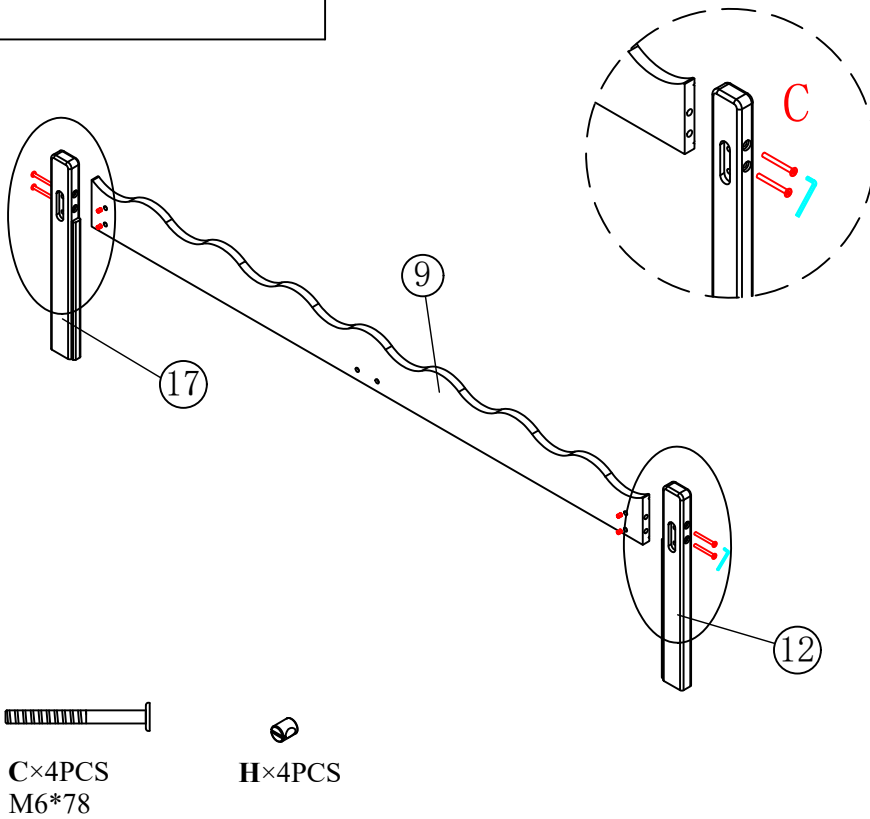
G×4PCS
M8*36



H×16PCS
+1(spare)



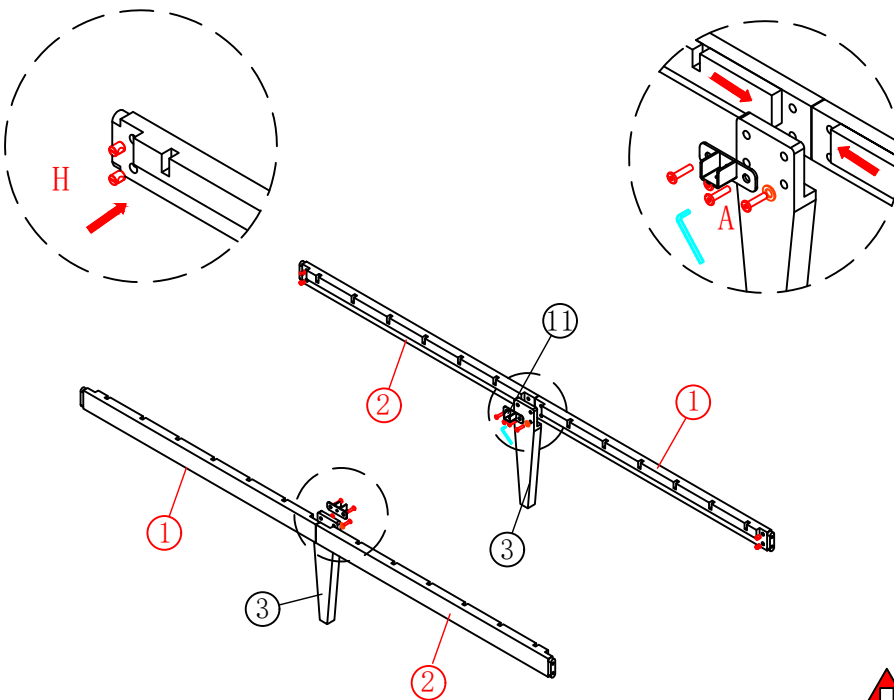
Installation



Step 1

Assemble the Footboard

- Position the footboard ⑨ between the foot of bed ⑫ and foot of bed-B ⑰.
- Insert the bolts (H) through the pre-drilled holes on the foot of bed.
- Hand-tighten all bolts first to ensure proper alignment.
- After alignment, use an appropriate tool to completely tighten all the bolts (C).



Step 2

Assemble the Side Rails

- Connect the left side rails ①, left side rails ② and middle support leg ③ using connectors-A ⑪ and eight bolts (A) and washer (F). The washers should be installed to the bottom holes.
- Insert the nut (H) into the edge part of the side rail.

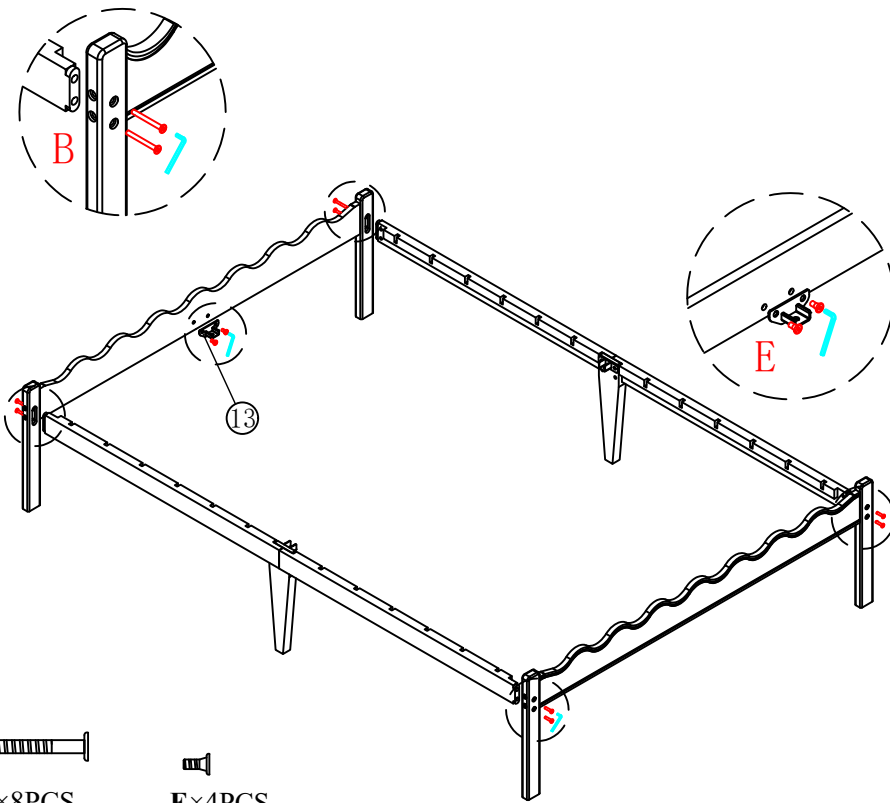


Note: Follow the direction indicated by the red arrow in the detailed view for proper installation. ⑪ It should be placed in the two screw holes above ③.

Step 3

Assemble the Bed Frame

- Align the mounting brackets on the side rails with the corresponding holes on both the headboard and side bracket.
- After all the bolts are in place, use the included hexagonal wrench to tighten bolts (B).
- Use bolt (E) to lock connector-B ⑬ onto the side bracket.



C×8PCS
M6*53



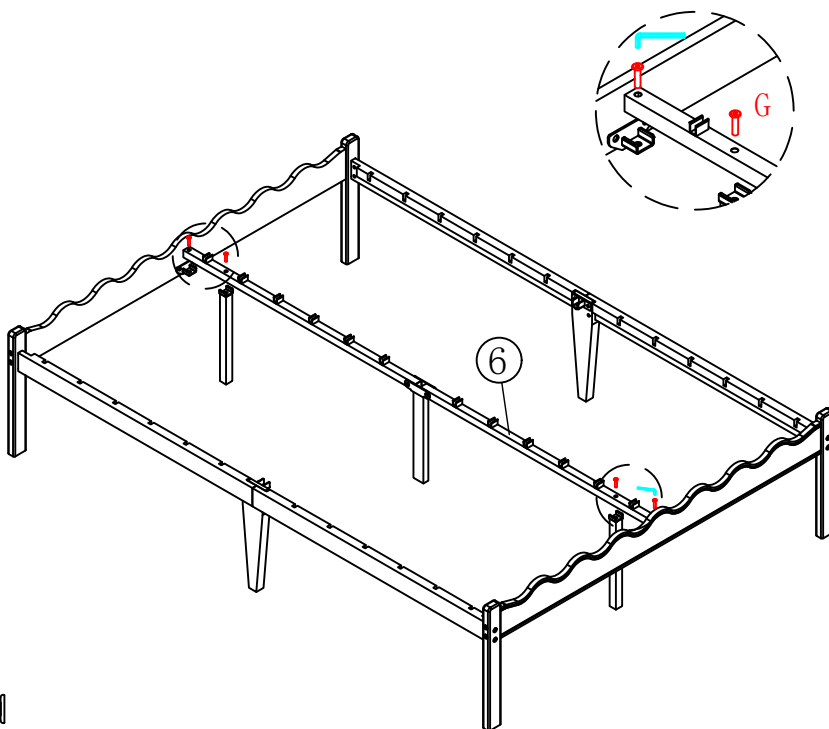
E×4PCS
M8*14

Step 4

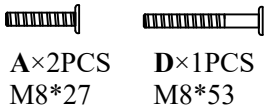
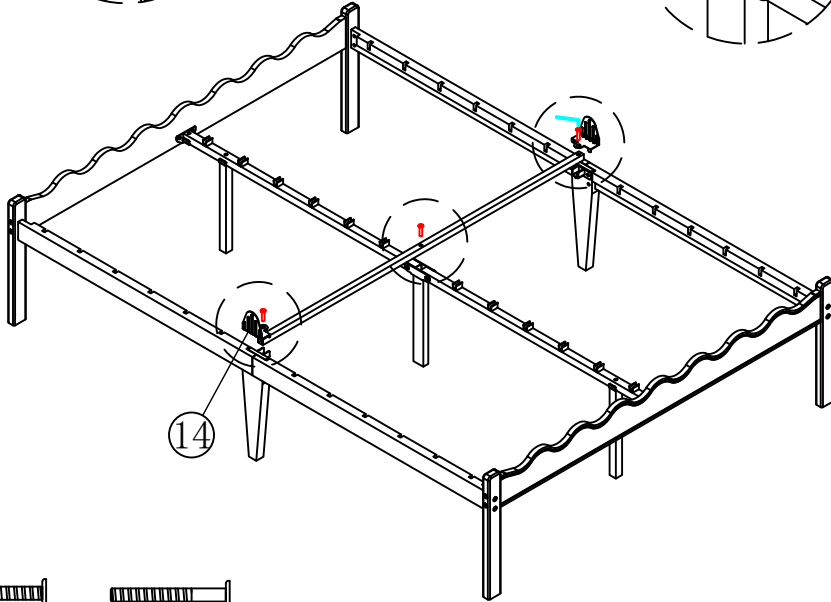
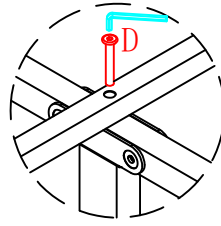
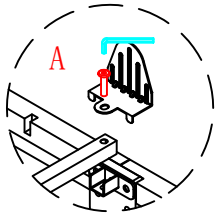
Attach the Center

Support Rail

- Attach the center support rail ⑥ to both ends of the bed frame using bolts (G).
- Connect the support legs ⑦ to the center support rail (6) through bolts (G)



G×4PCS
M8*36



A×2PCS
M8*27

D×1PCS
M8*53

Step 5

Attach the Center Support Bar

- Use bolts (A) and bolts (D) to lock the center support bar ⑧ onto the connectors-A ⑪.
- At the center, mattress gasket ⑭ can be optionally installed.
- After installation is completed, tighten all the bolts.

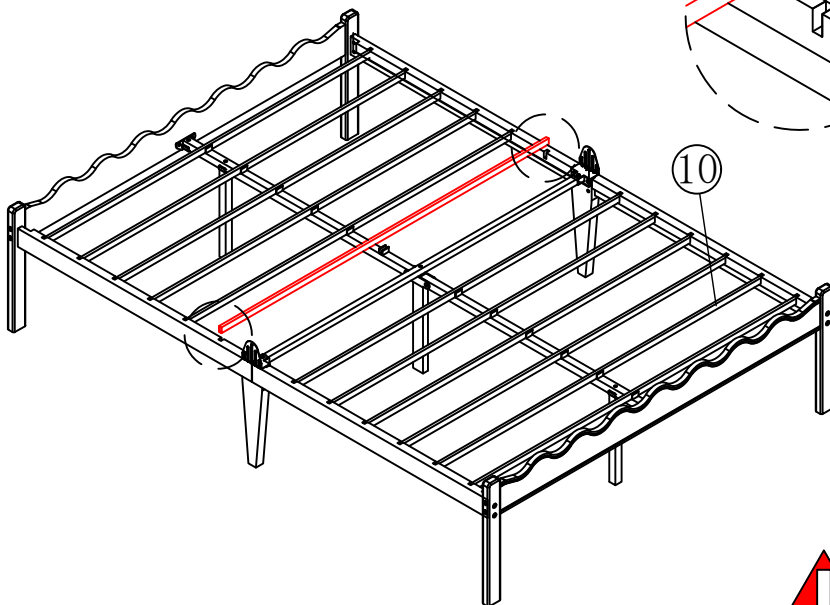
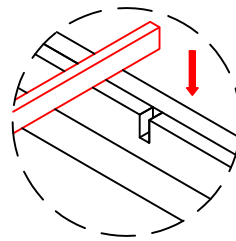


Note: Before completing assembly, double-check that all screws and components are fully tightened.

Step 6

Place the Bed Slats

- Place all bed slats ⑩ across the side rails.



Note: Before completing assembly, double-check that all screws and components are fully tightened.