

# ASSEMBLY INSTRUCTIONS

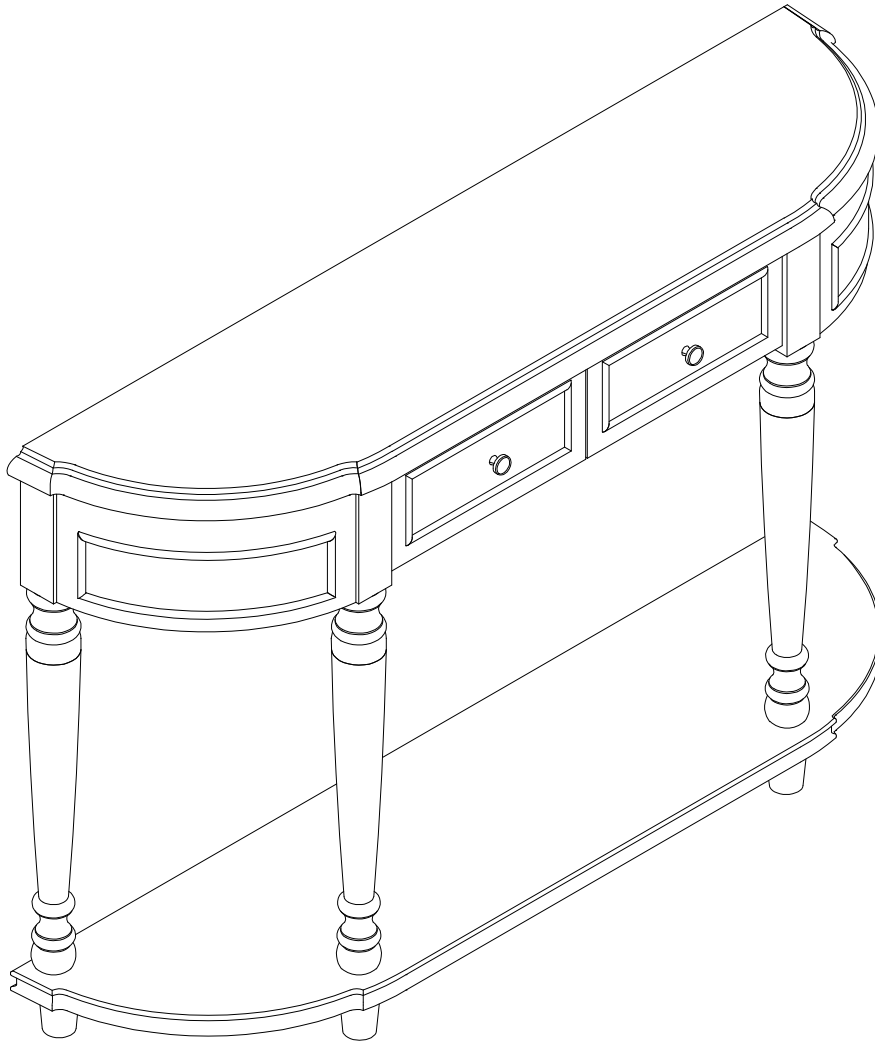
DESCRIPTION: HALFMOON WITH 2 DRAWERS

## IMPORTANT NOTE

**\*\*PLACE ALL PARTS ON A CLEAN AND SMOOTH SURFACE SUCH AS A RUG OR CARPET TO AVOID THE PARTS FROM BEING SCRATCHED**

**\*\*BEFORE YOU BEGIN, KINDLY FOLLOW THE ASSEMBLY INSTRUCTIONS STEP BY STEP**

**\*\*DO NOT TIGHTEN ALL SCREWS AND BOLTS UNTIL THE CABINET IS FULLY SET-UP**



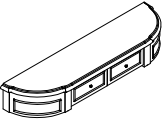
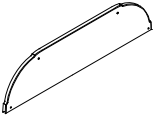


PLEASE DO NOT RETURN PRODUCT TO THE STORE

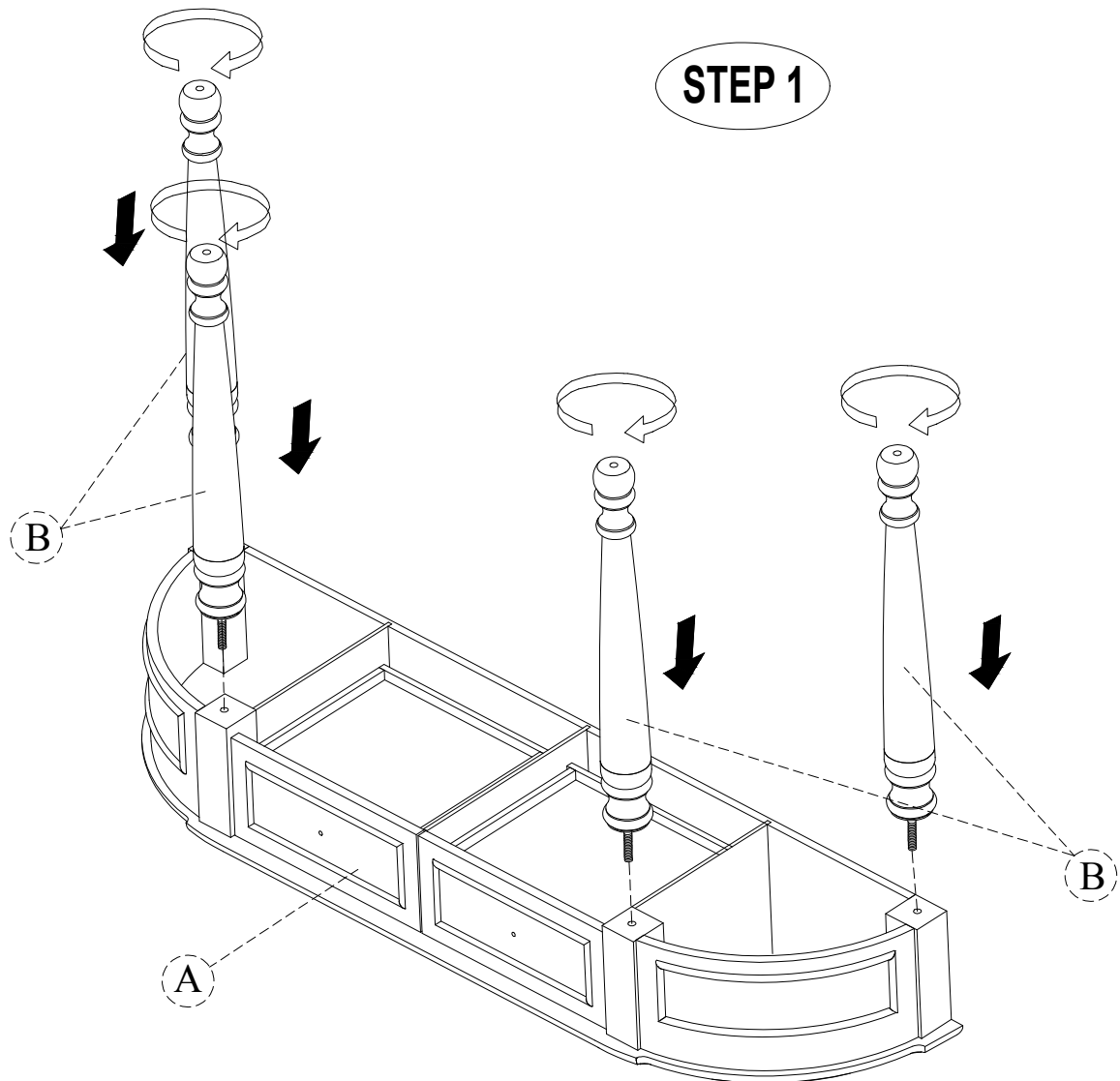
# ASSEMBLY INSTRUCTIONS

DESCRIPTION: HALFMOON WITH 2 DRAWERS

## CARTONS ONLY ONE / HARDWARE LIST

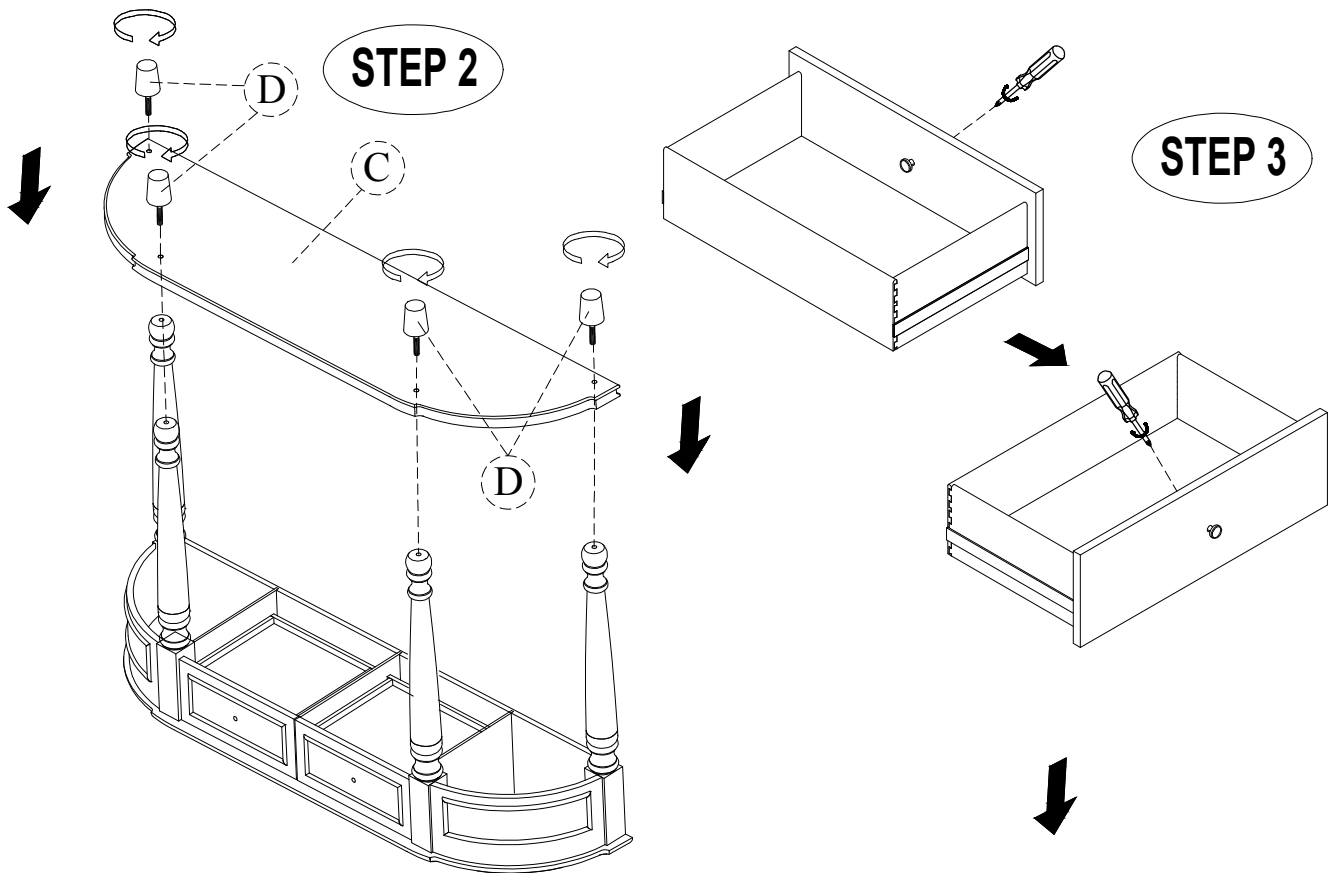
### PART LISTS

NO	DESCRIPTION	SKETCH	Q'TY	NO	DESCRIPTION	SKETCH	Q'TY
(A)	TOP TABLE		1 PC	(C)	TABLE BASE		1 PC
(B)	LEGS		4 PCS	(D)	BUN FEET		4 PCS



# ASSEMBLY INSTRUCTIONS

DESCRIPTION: HALFMOON WITH 2 DRAWERS



**COMPLETE**

