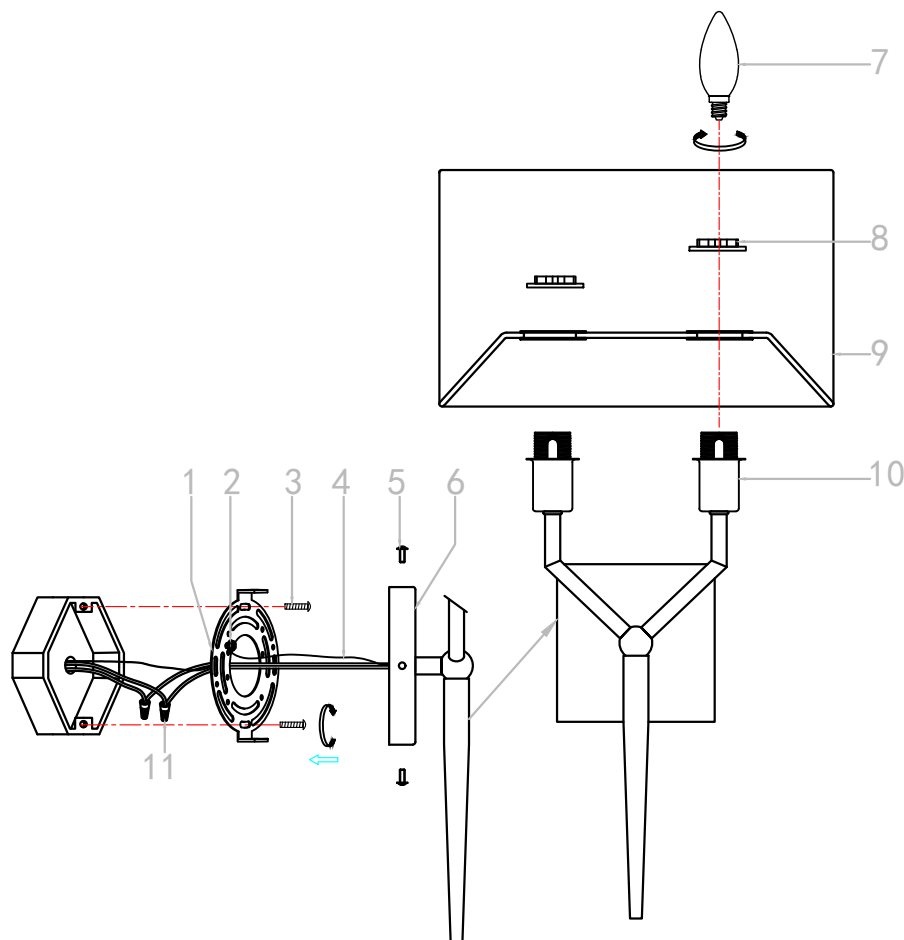


ASSEMBLY AND INSTALLATION INSTRUCTIONS

WARNING: TO AVOID RISK OF ELECTRICAL SHOCK, BE SURE TO SHUT OFF POWER BEFORE INSTALLING OR SERVICING THIS FIXTURE.



Before You Begin:

- Ensure power is turned off at the circuit breaker before installation.
- Read all instructions carefully.
- Installation should be performed by a qualified electrician if you are unfamiliar with wiring.

Step-by-Step Installation:

Step A. Secure the mounting plate (1) to the junction box using screws (3).

Step B. Wiring Connections:

- Use wire connectors (11) to connect the fixture's black (hot), white (neutral) to the corresponding wires on the junction box.
- Use the green screw (2) to connect the ground wire of the lamp fixture (4) and the external ground wire .
- Ensure no exposed conductors remain outside wire connectors or outside the junction box.

Step C. Align side holes on the light fixture (6) with the holes on the mounting plate. Secure the fixture with the provided screws (5).

Step D. Install the Lampshade (9).

- Remove the retaining rings (8) of the light holders, and then fit the fabric lampshade (9) over the light holder (10).
- Tighten the rings (8) to secure the lampshade.

Step E. Install the light bulbs (7) into the light holders (10) as shown in the diagram. (Bulbs Not Included)

Safety Instructions:

To avoid fire, shock, and serious personal injury, follow all instructions carefully.

1. Do not install or use the light fixture if any part is missing or damaged.
2. To avoid possible electrical shock be sure electricity is turned off at the main fuse or circuit breaker box before wiring.
3. Make certain no bare wires are exposed outside the wire connectors.
4. All wiring must conform to national and local electrical codes.
5. Follow the recommended instructions for the proper method of wiring your new light fixture. If you feel you do not have enough electrical wiring knowledge or experience, have your light fixture installed by a licensed electrician. Any electrical work not described in this manual should be performed by a licensed electrician.