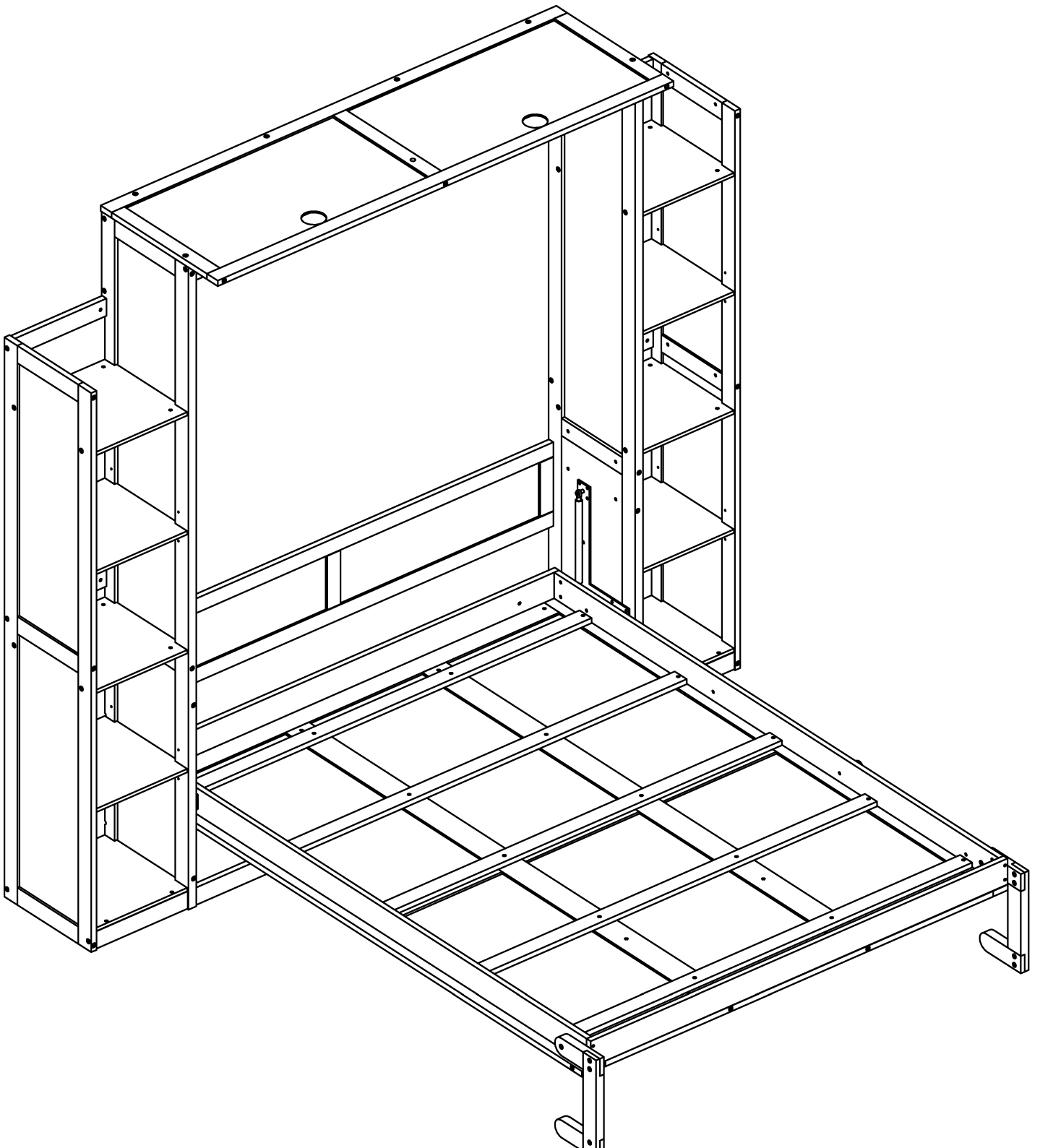
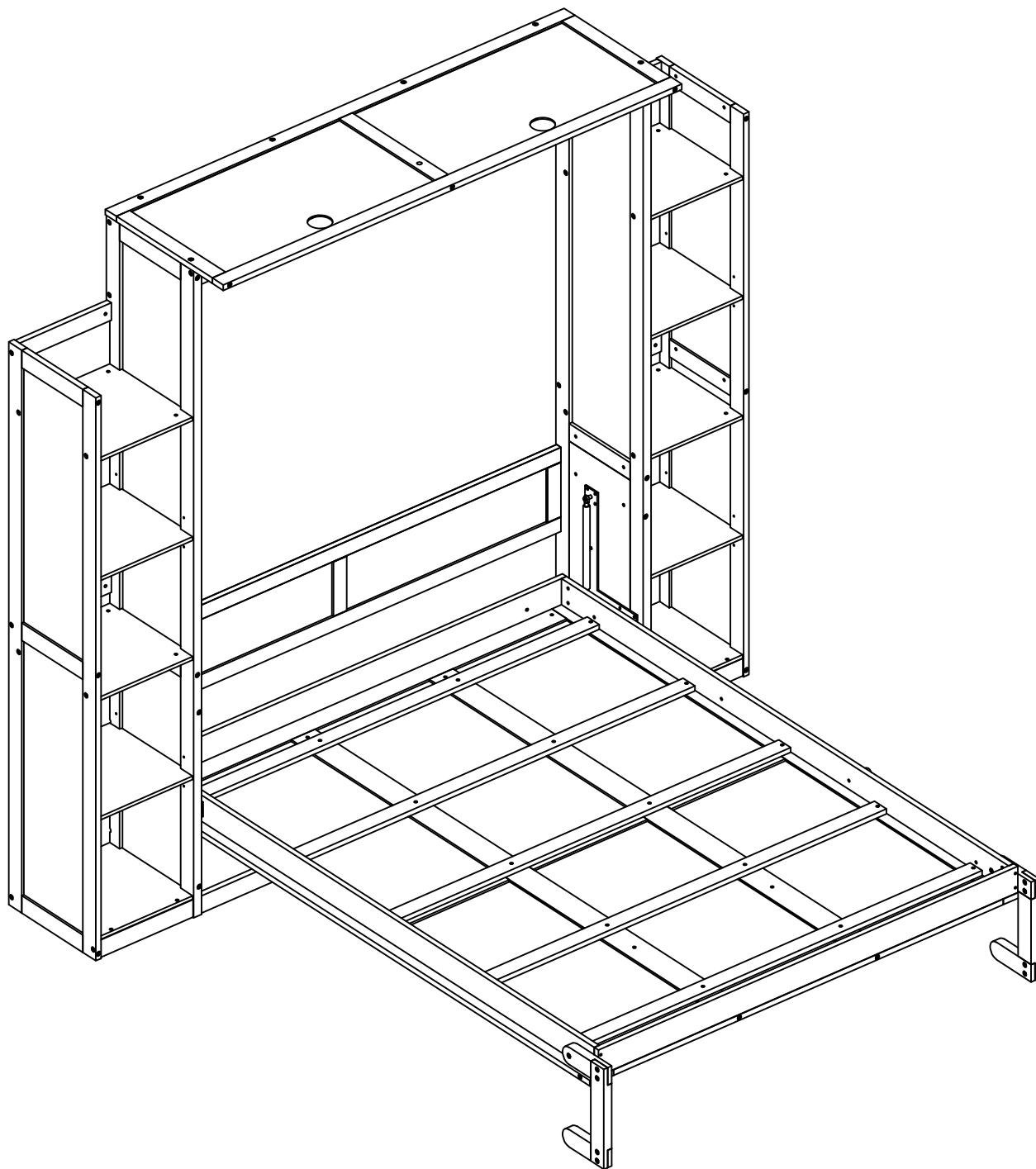


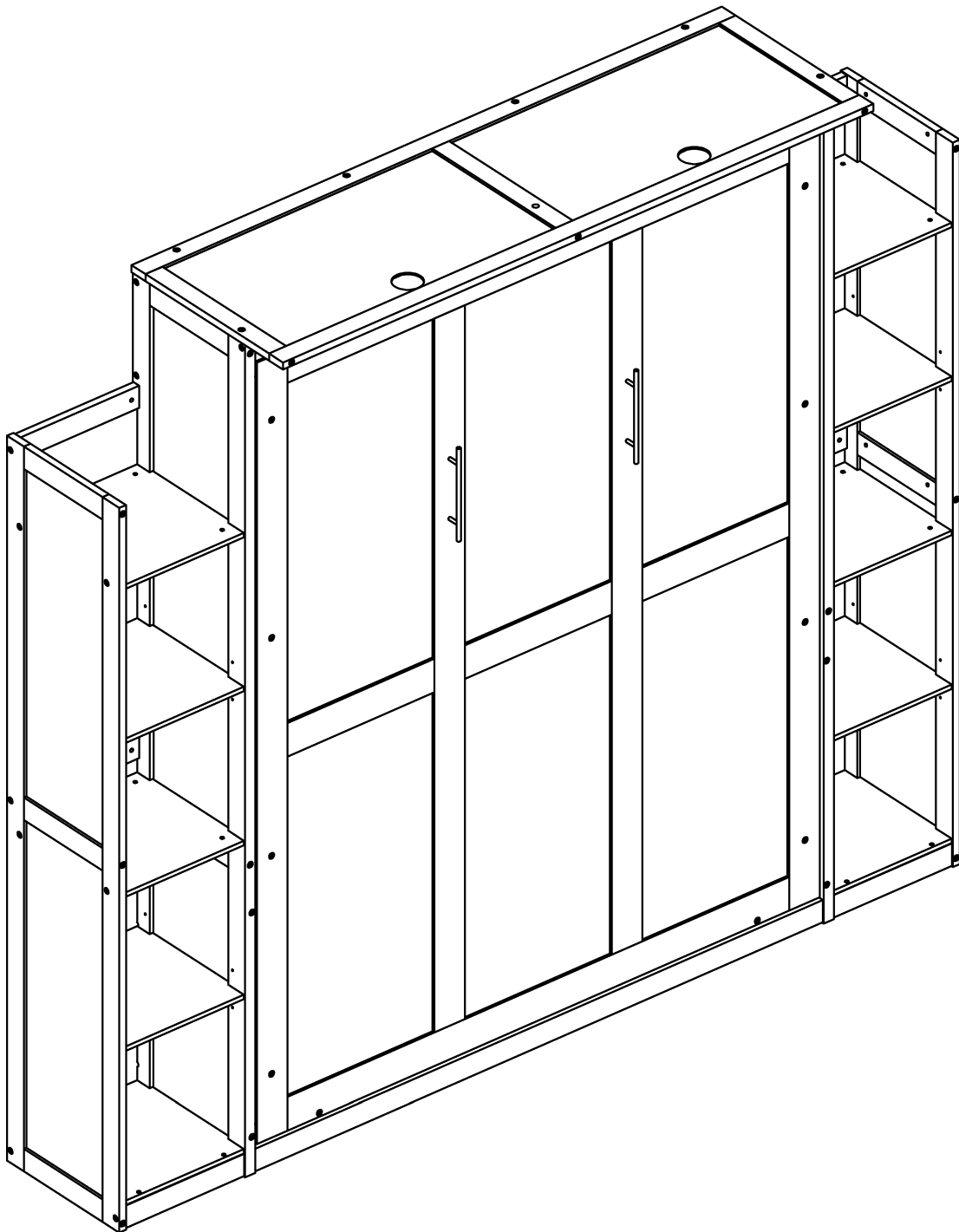
ASSEMBLY INSTRUCTION



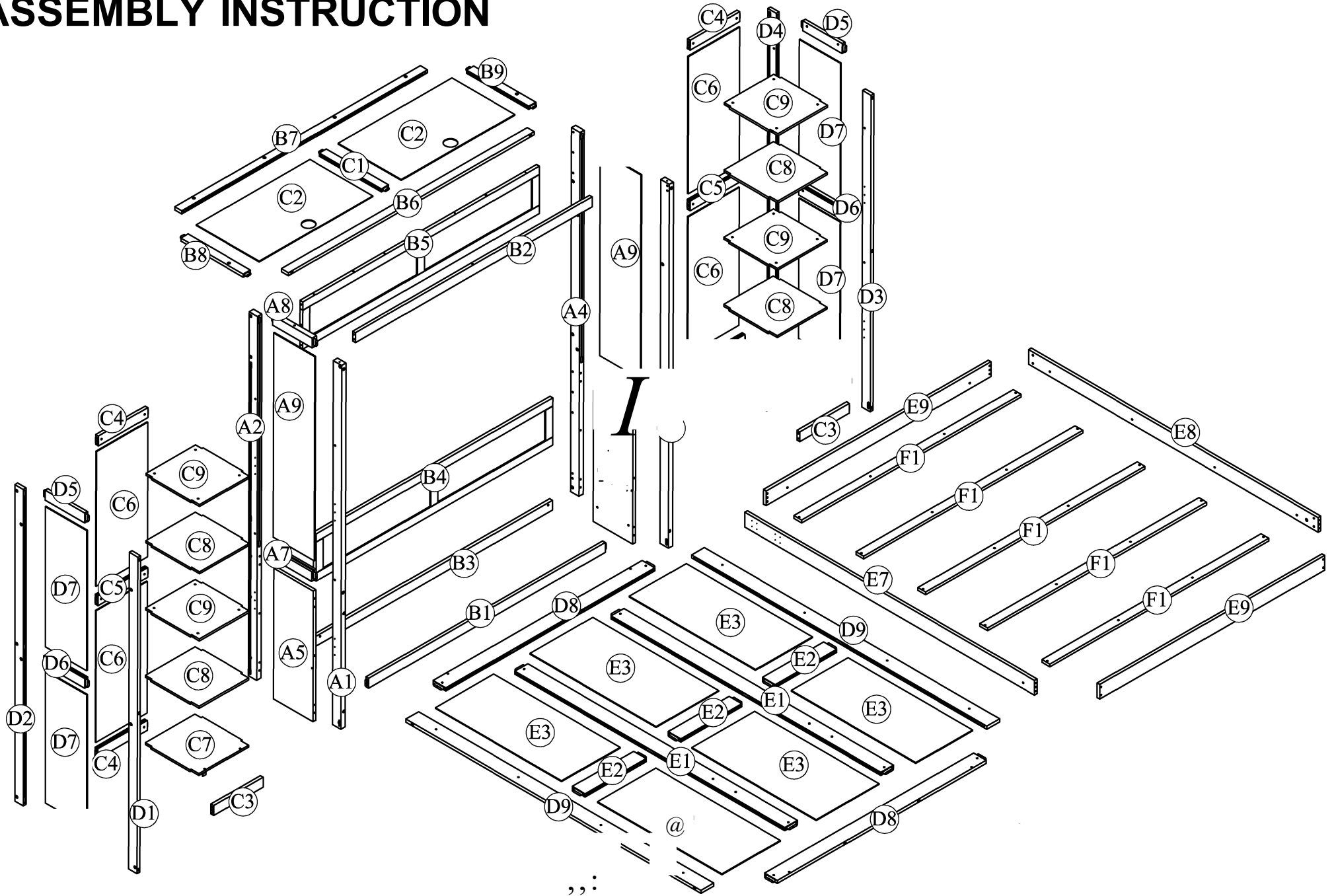
OPTION 1



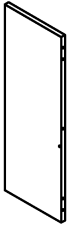

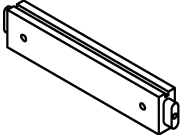
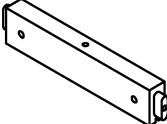
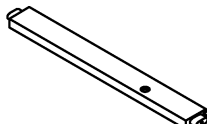
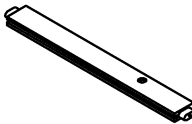
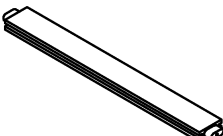
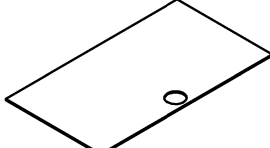
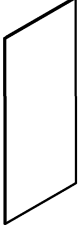
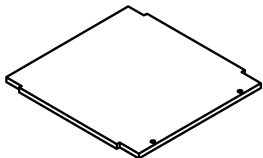
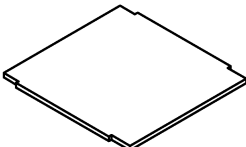
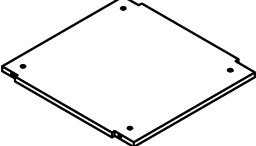

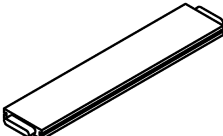
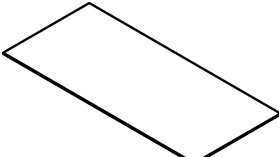





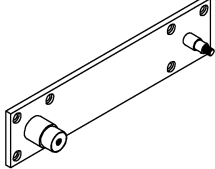
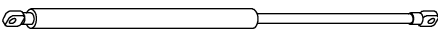
OPTION 2



ASSEMBLY INSTRUCTION



Part List {Box 1}

<p>AS</p>  <p>Panel-1pc</p>	<p>A6</p>  <p>Panel-1pc</p>	<p>A7</p>  <p>WoodBar-2pcs</p>
<p>AB</p>  <p>WoodBar-2pcs</p>	<p>88</p>  <p>WoodBar-1 pc</p>	<p>B9</p>  <p>WoodBar-1 pc</p>
<p>C1</p>  <p>WoodBar-1 pc</p>	<p>C2</p>  <p>Panel-2pcs</p>	<p>C6</p>  <p>Panel-4pcs</p>
<p>C7</p>  <p>Panel-2pcs</p>	<p>CB</p>  <p>Panel-4pcs</p>	<p>C9</p>  <p>Panel-4pcs</p>
<p>D7</p>  <p>Panel-4pcs</p>	<p>E2</p>  <p>WoodBar-3pcs</p>	<p>E3</p>  <p>Panel-6pcs</p>
<p>E4</p>  <p>WoodBar-2pcs</p>	<p>E5</p>  <p>WoodBar-2pcs</p>	<p>E6</p>  <p>WoodBar-2pcs</p>
<p>F2</p>  <p>Metal corner link-1 pc</p>	<p>F3</p>  <p>Metal corner link-1 pc</p>	<p>F4</p>  <p>Metal corner link-2pcs</p>
<p>F5</p> <p>1100N</p>  <p>Piston Steam-2pcs</p>		

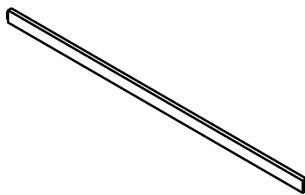
Part List & Hardware List {Box 2}

A9



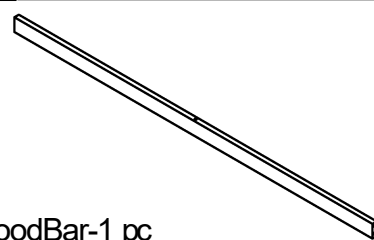
Panel-2pcs

81



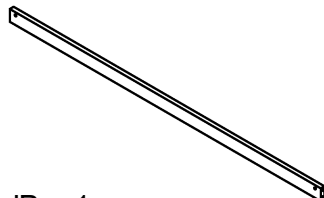
WoodBar-1 pc

B2



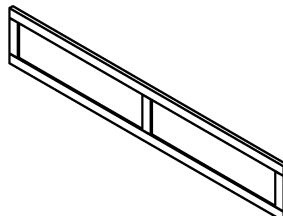
WoodBar-1 pc

B3



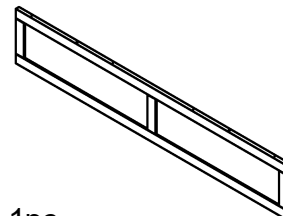
WoodBar-1 pc

B4



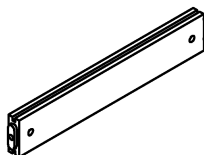
Panel-1pc

B5



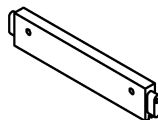
Panel-1pc

C5



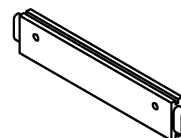
WoodBar-2pcs

D5



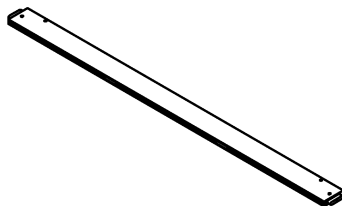
WoodBar-4pcs

D6



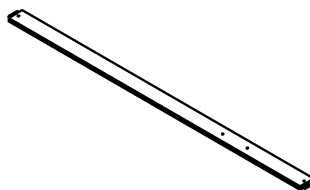
Wood Bar-2pcs

D8



WoodBar-2pcs

E1



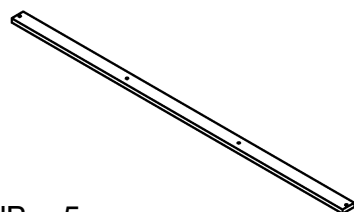
WoodBar-2pcs

E9







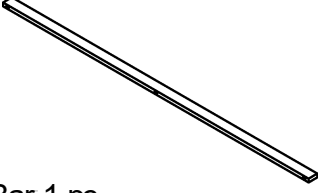

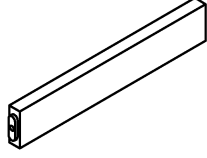
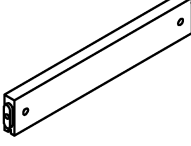




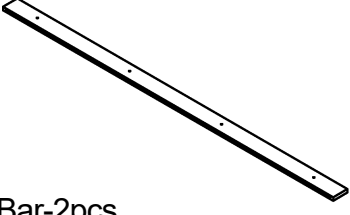
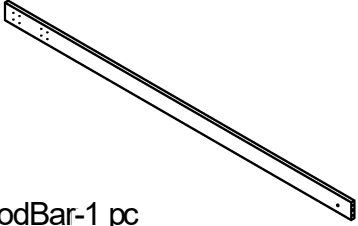
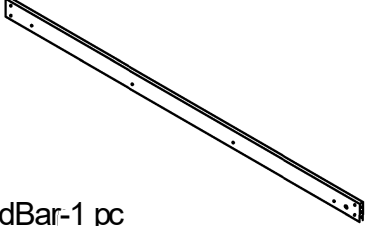
WoodBar-2pcs

F1

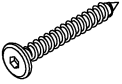
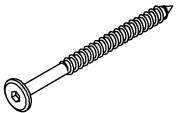









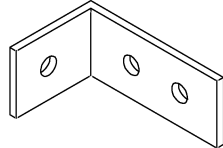


WoodBar-5pcs

Part List {Box 3}

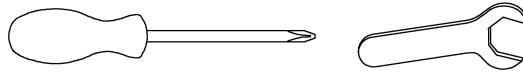
A1  Leg-1 pc	A2  Leg-1 pc	A3  Leg-1 pc
A4  Leg-1 pc	B6  WoodBar-1 pc	B7  WoodBar-1 pc
C3  WoodBar-2pcs	C4  WoodBar-4pcs	D1  Leg-1 pc
D2  Leg-1 pc	D3  Leg-1 pc	D4  Leg-1 pc
D9  WoodBar-2pcs	E7  WoodBar-1 pc	E8  WoodBar-1 pc

Hardware List {Box 2}

<p>1</p>  <p>Screws 1/4" x40 ?pcs</p>	<p>2</p>  <p>Screws 1/4" x60 6pcs</p>	<p>3</p>  <p>01/4" x 20 mm Hex-Head bolts 8pcs</p>
<p>4</p>  <p>01/4" x 40 mm Hex-Head bolts 2pcs</p>	<p>5</p>  <p>01/4" x 60 mm Hex-Head bolts 20pcs</p>	<p>6</p>  <p>01/4" x 70 mm Hex-Head bolts 44pcs</p>
<p>7</p>  <p>01/4" x 100 mm Hex-Head bolts 28pcs</p>	<p>8</p>  <p>01/4" x 120 mm Hex-Head bolts 8pcs</p>	<p>9</p> <p>08 x 30 mm Wood dowel 32pcs</p>
<p>10</p>  <p>01/4" x 13 mm Horizontal-Hole bolts 100pcs</p>	<p>11</p> <p>01/4" x 15 mm T-Nut 10pcs</p>	<p>12</p> <p>01/3" x 40 mm Hex-Head bolts 2pcs</p>
<p>13</p> <p>08 x20 mm Wood dowel 8pcs</p>	<p>14</p> <p>Nut 4pcs</p>	<p>15</p>  <p>Bearings 2pcs</p>
<p>16</p> <p>M4 x20 mm Wood Screws 36pcs</p>	<p>17</p> <p>M4 x 30 mm Wood Screws 24pcs</p>	<p>18</p> <p>M4 x40 mm Wood Screws 4pcs</p>
<p>19</p> <p>M4 x 15 mm Wood Screws 28pcs</p>	<p>20</p>  <p>Angle Metal 4pcs</p>	<p>21</p>  <p>Angle Metal 4pcs</p>



Hardware List {Box 2}

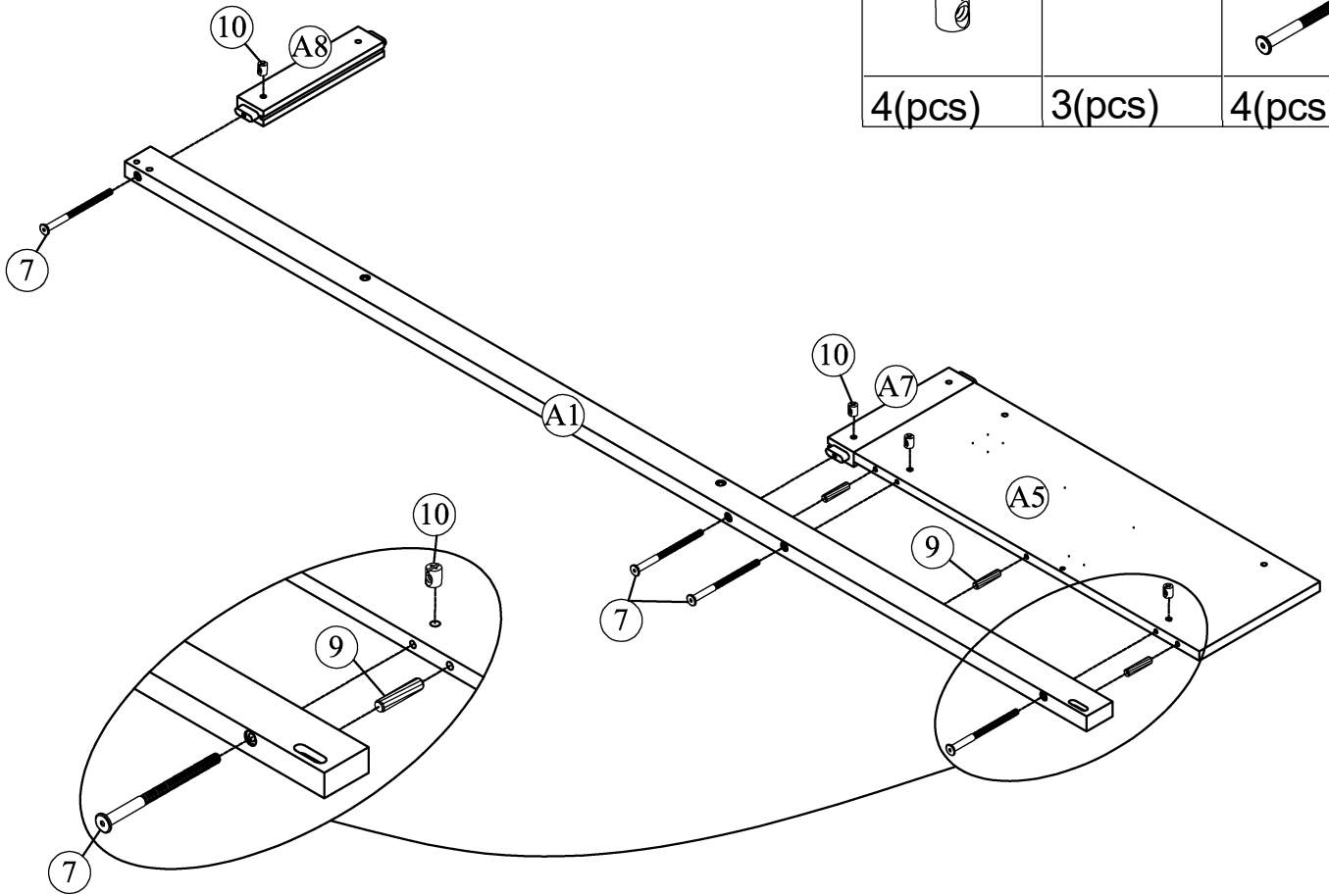
<p>Ⓜ</p> <p>020 / 06 x2 mm Washer 2pcs</p>	<p>M4 x25 mm Wood Screws 4pcs</p>	<p>Handle 2pcs</p>
<p>Metal Patt 16pcs</p>	<p>Metal Patt 2pcs</p>	<p>g]</p> <p>M3.5 x 12 mm Wood Screws 16pcs</p>
<p>@%</p> <p>Led Light - 2pcs</p>	<p>Allen Key 2pcs</p>	




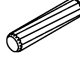

Assembly Tools Required {Not Included}

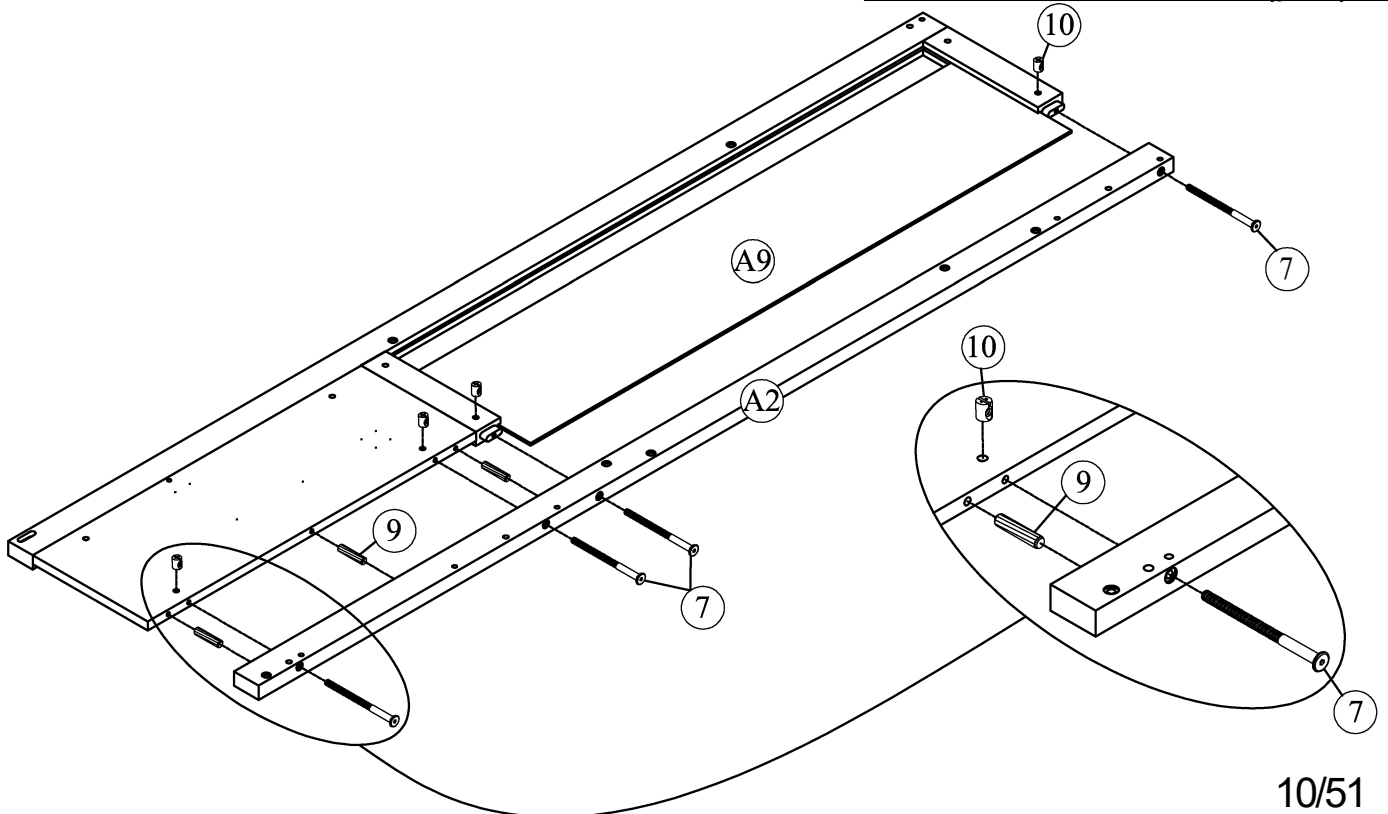
STEP 1 : Following below illustration.

10	9	7
		
4(pcs)	3(pcs)	4(pcs)



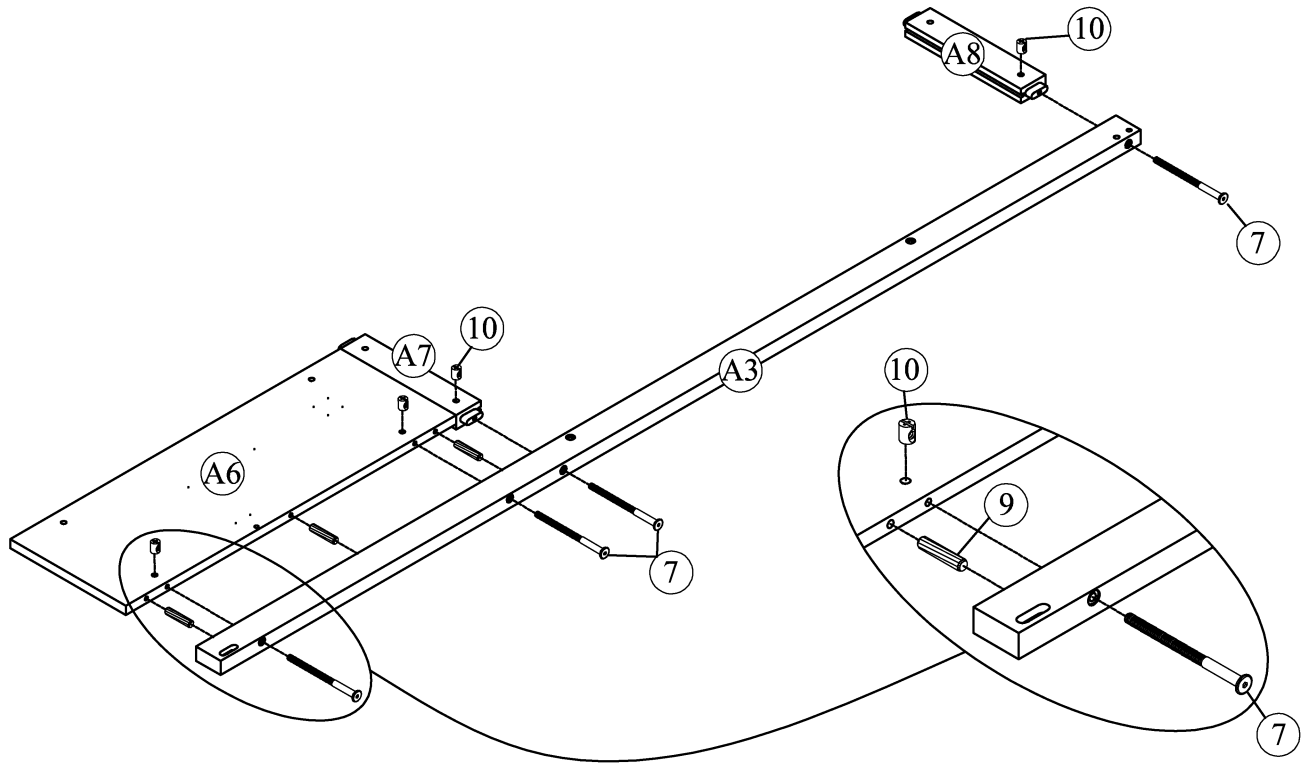
STEP 2: Following below illustration.

10	9	7
		
4(pcs)	3(pcs)	4(pcs)



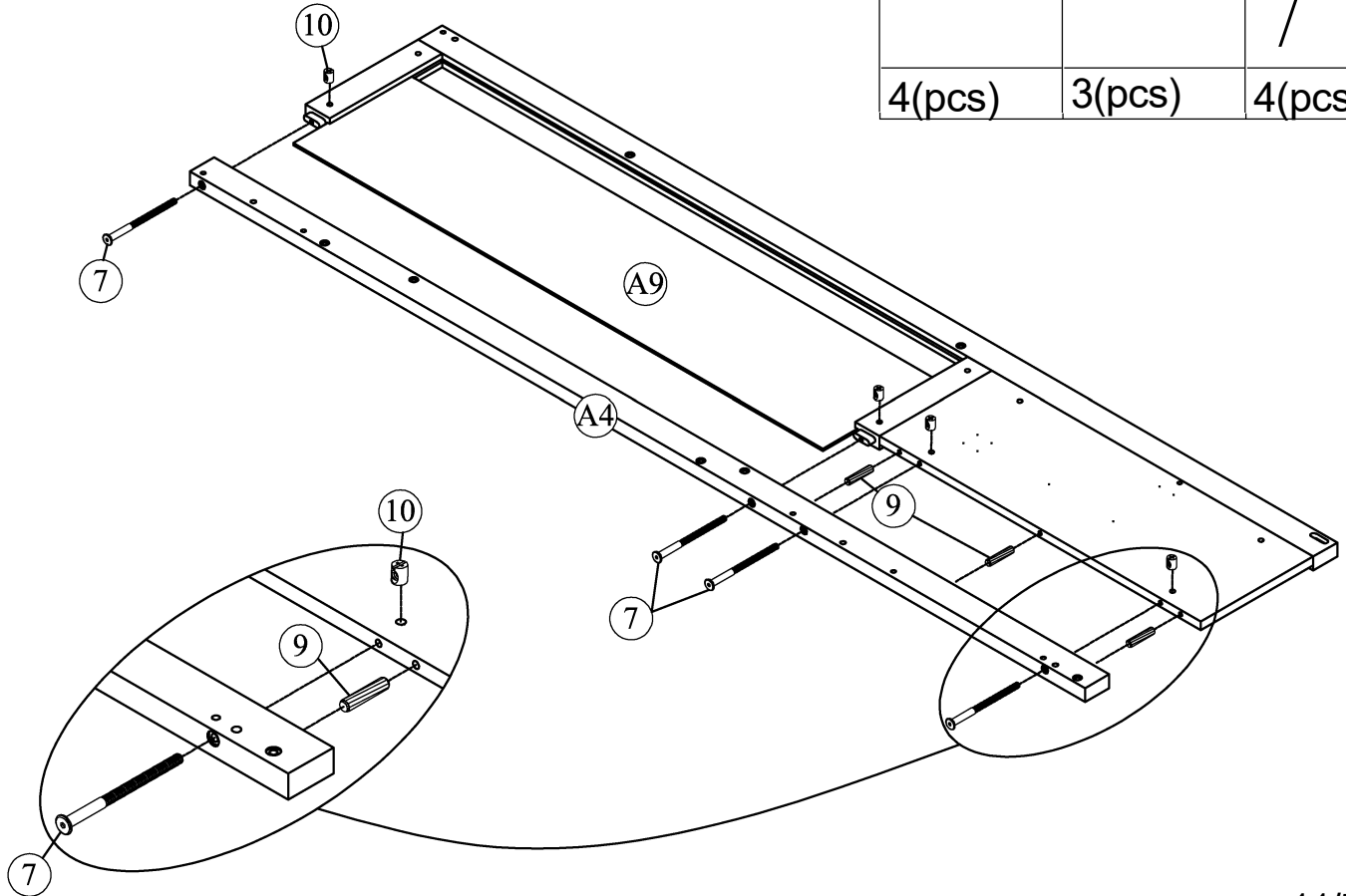
STE **p3**: Following below illustration.

10	9	7
		/
4(pcs)	3(pcs)	4(pcs)



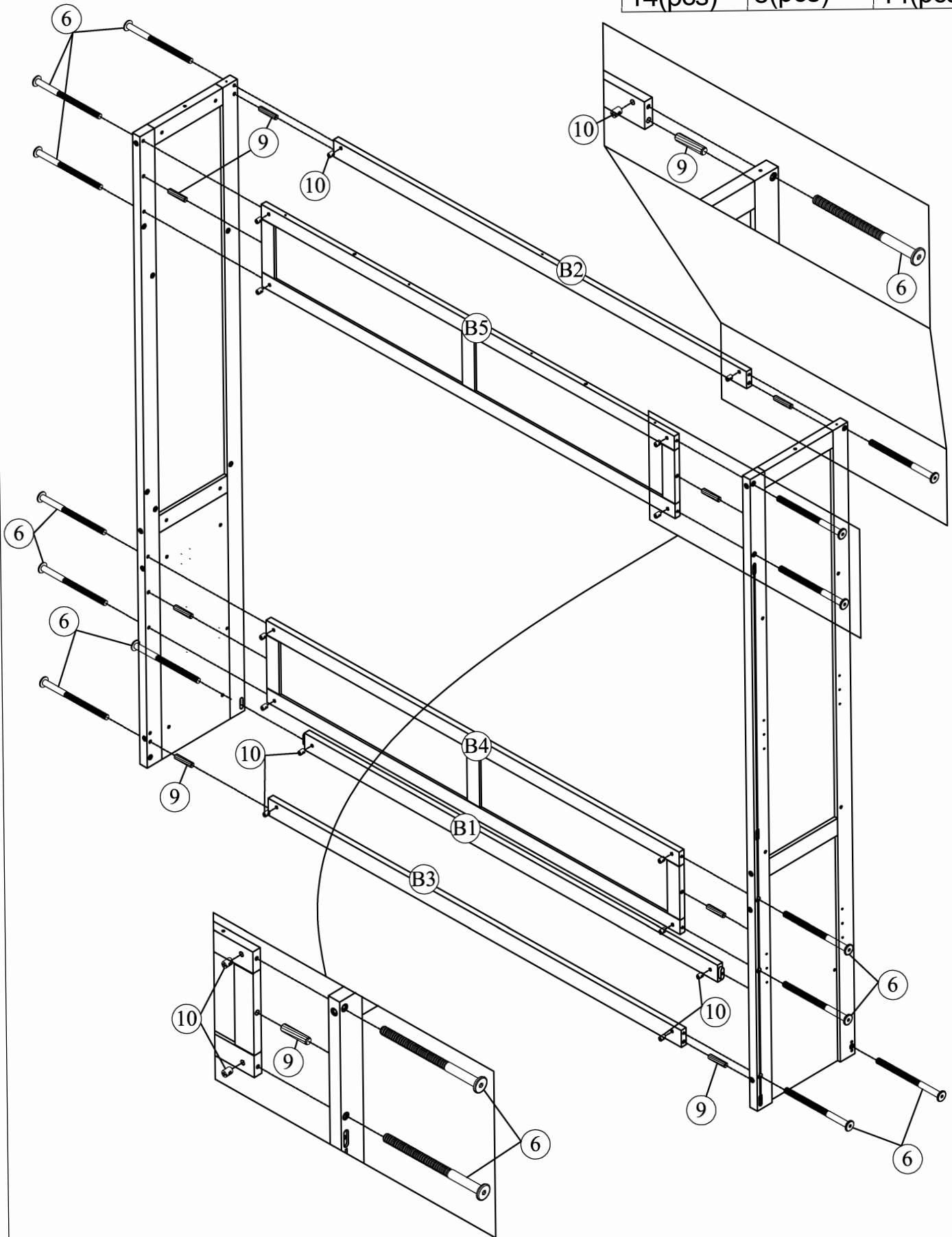
STE **p4**: Following below illustration.

10	9	7
		/
4(pcs)	3(pcs)	4(pcs)



STEP 5: Following below illustration.

10	9	6
		/
14(pcs)	8(pcs)	14(pcs)

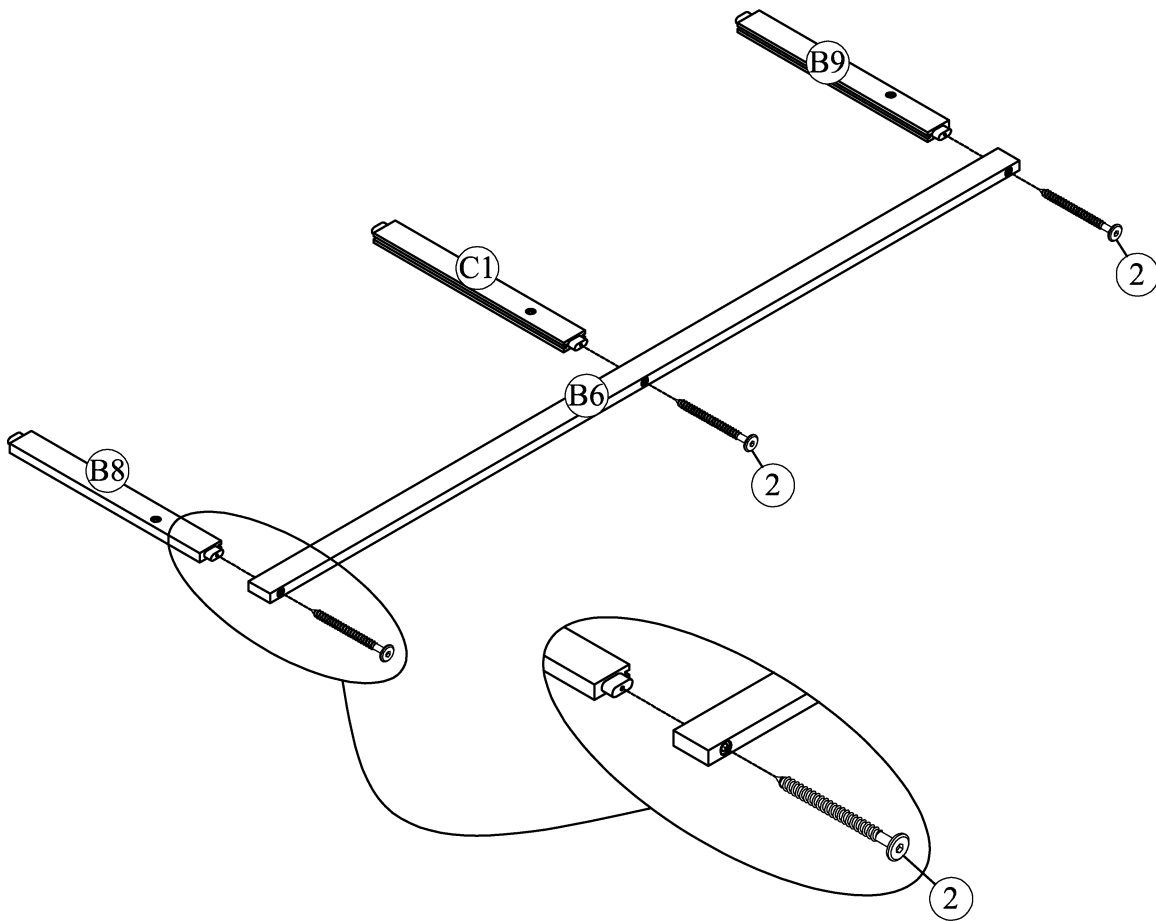


STEP 6: Following below illustration.

2



3(pcs)

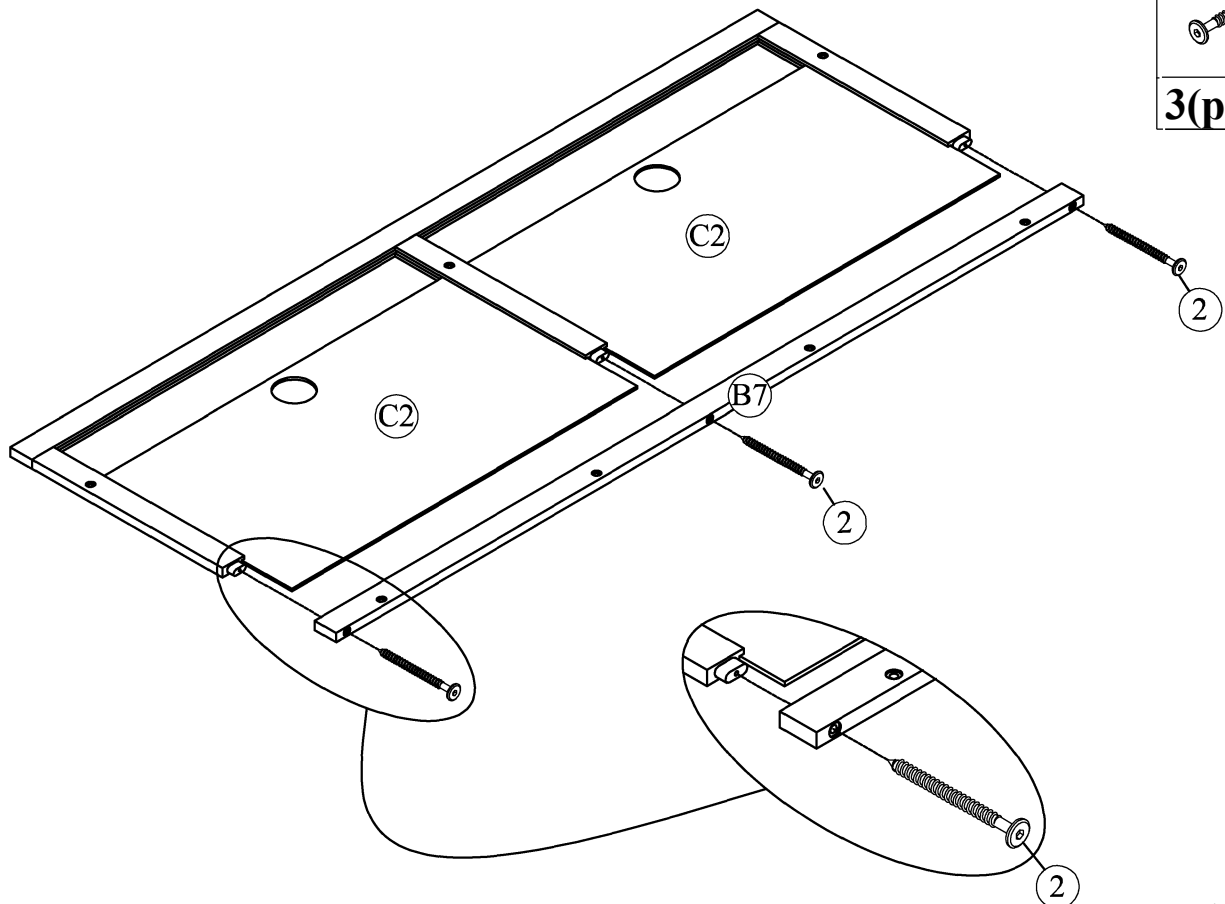


STEP?: Following below illustration.

2



3(pcs)

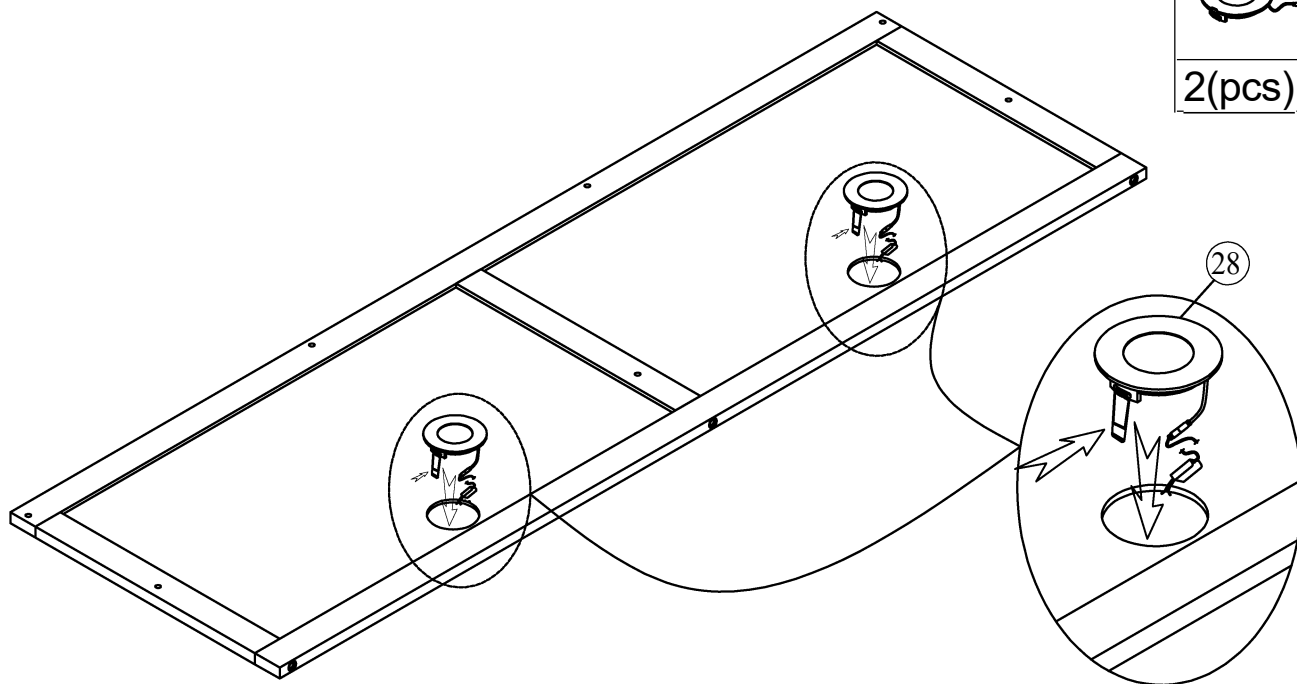


STEP 8: Following below illustration.

28



2(pcs)



STEP 9: Following below illustration.

9

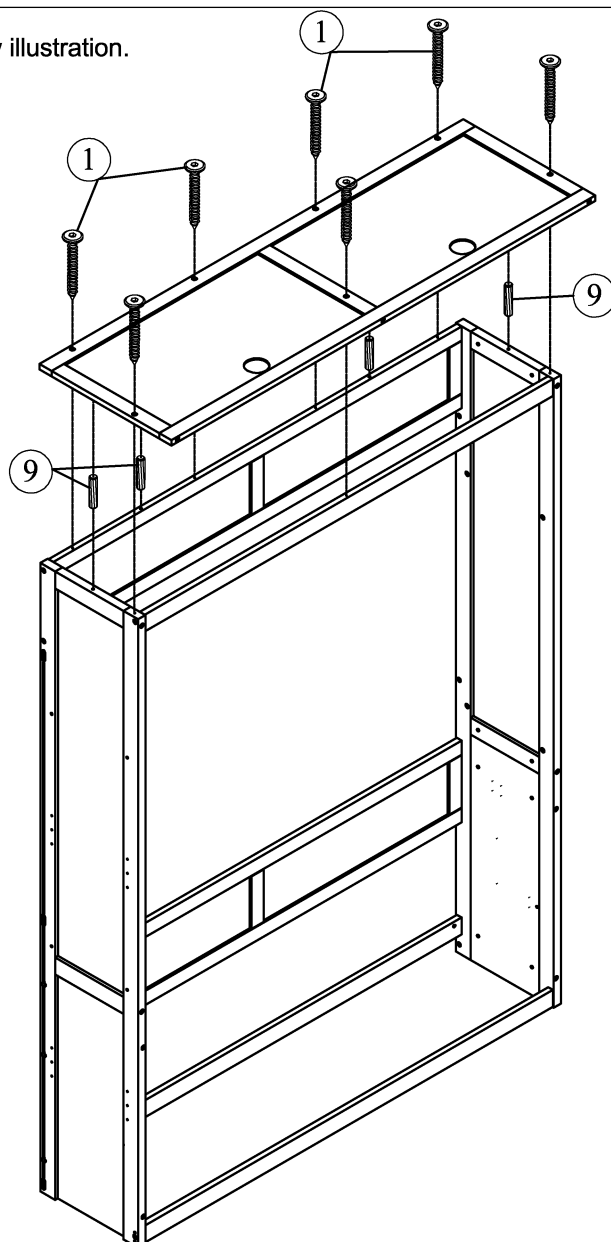


4(pcs)

1



?(pcs)

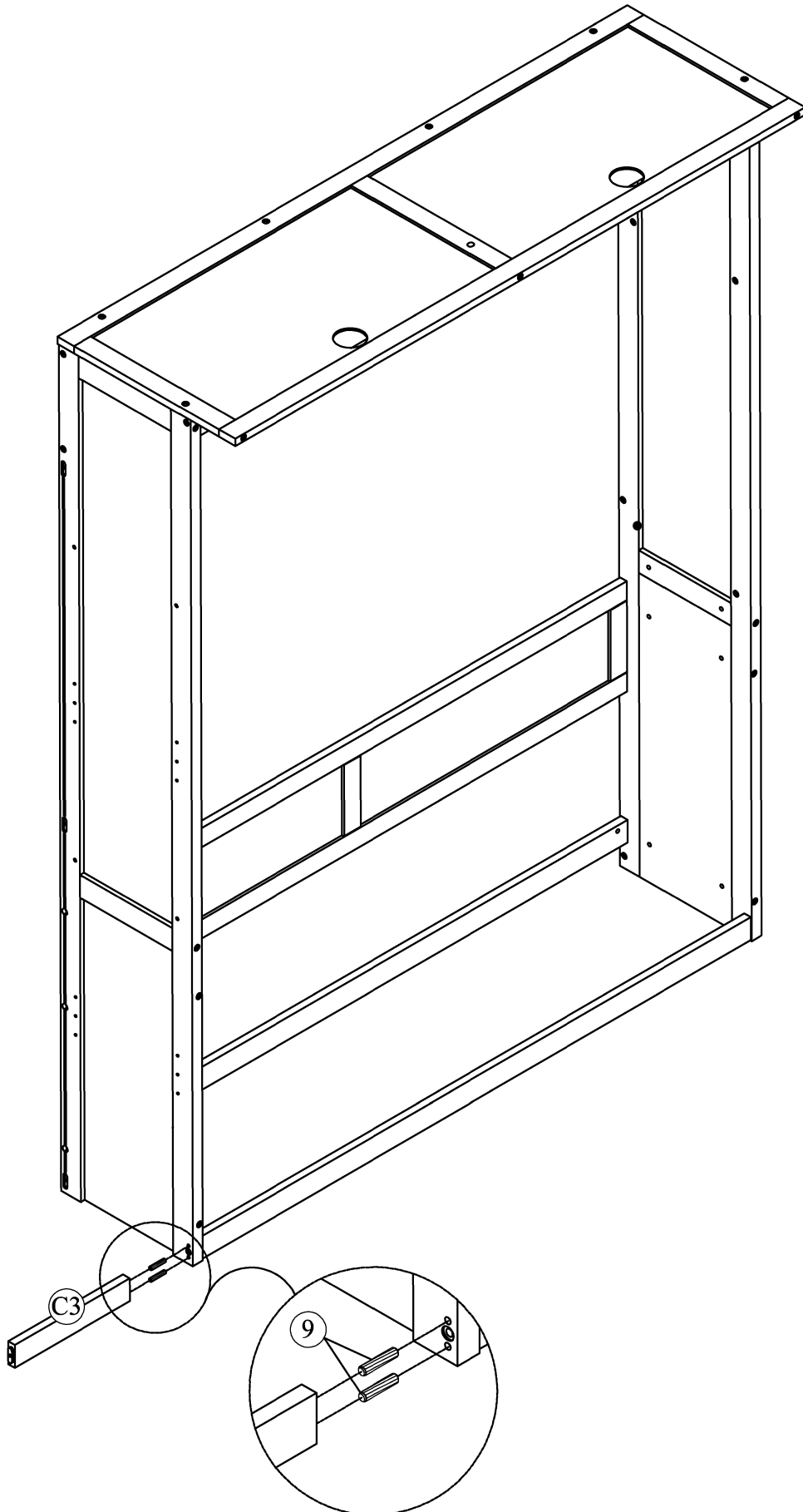


STEP 1Q: Following below illustration.

9



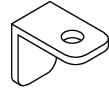
2(pcs)



STEP 11 : Following below illustration.

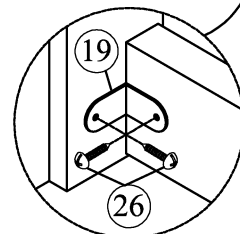
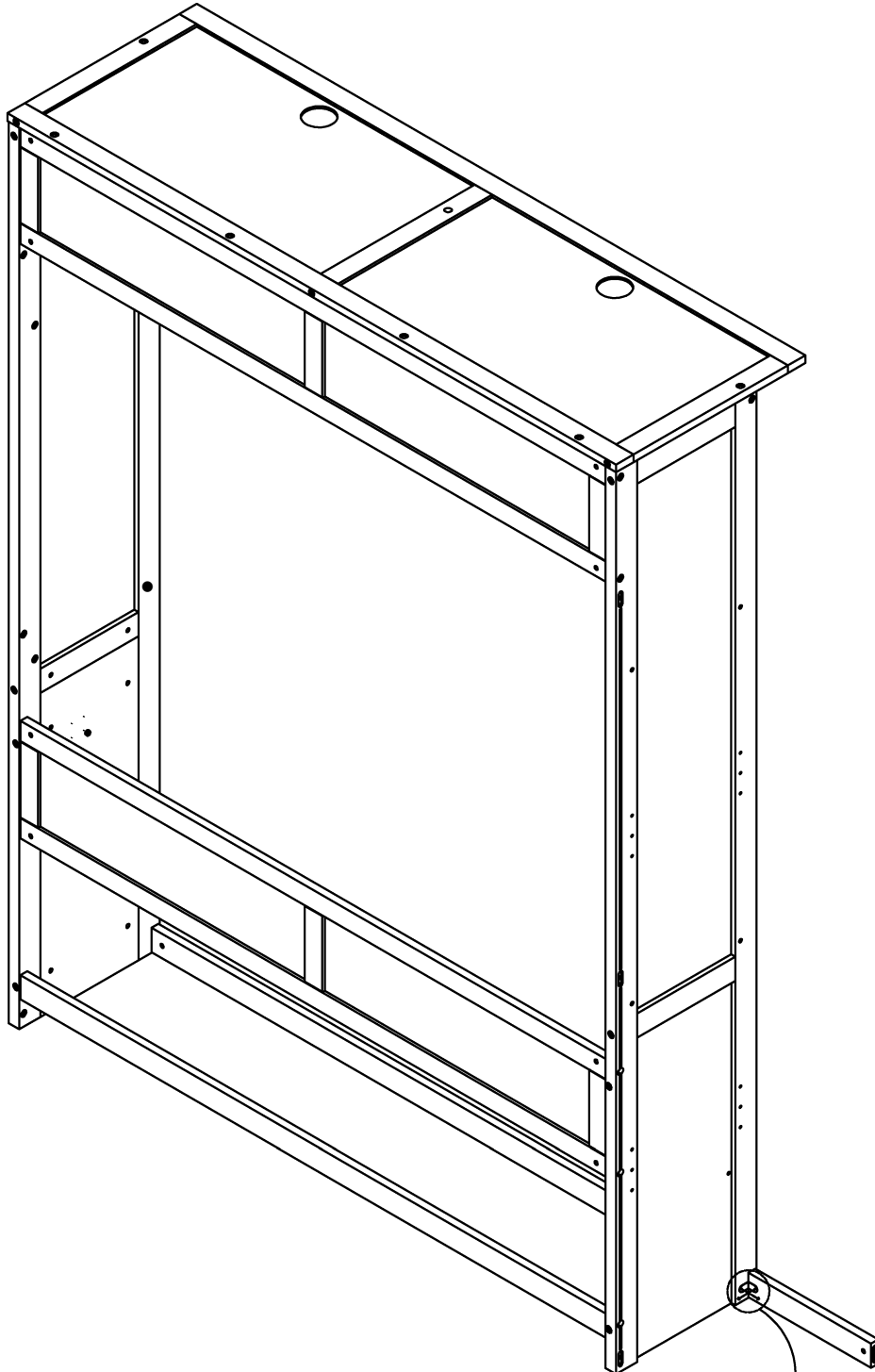
26

19



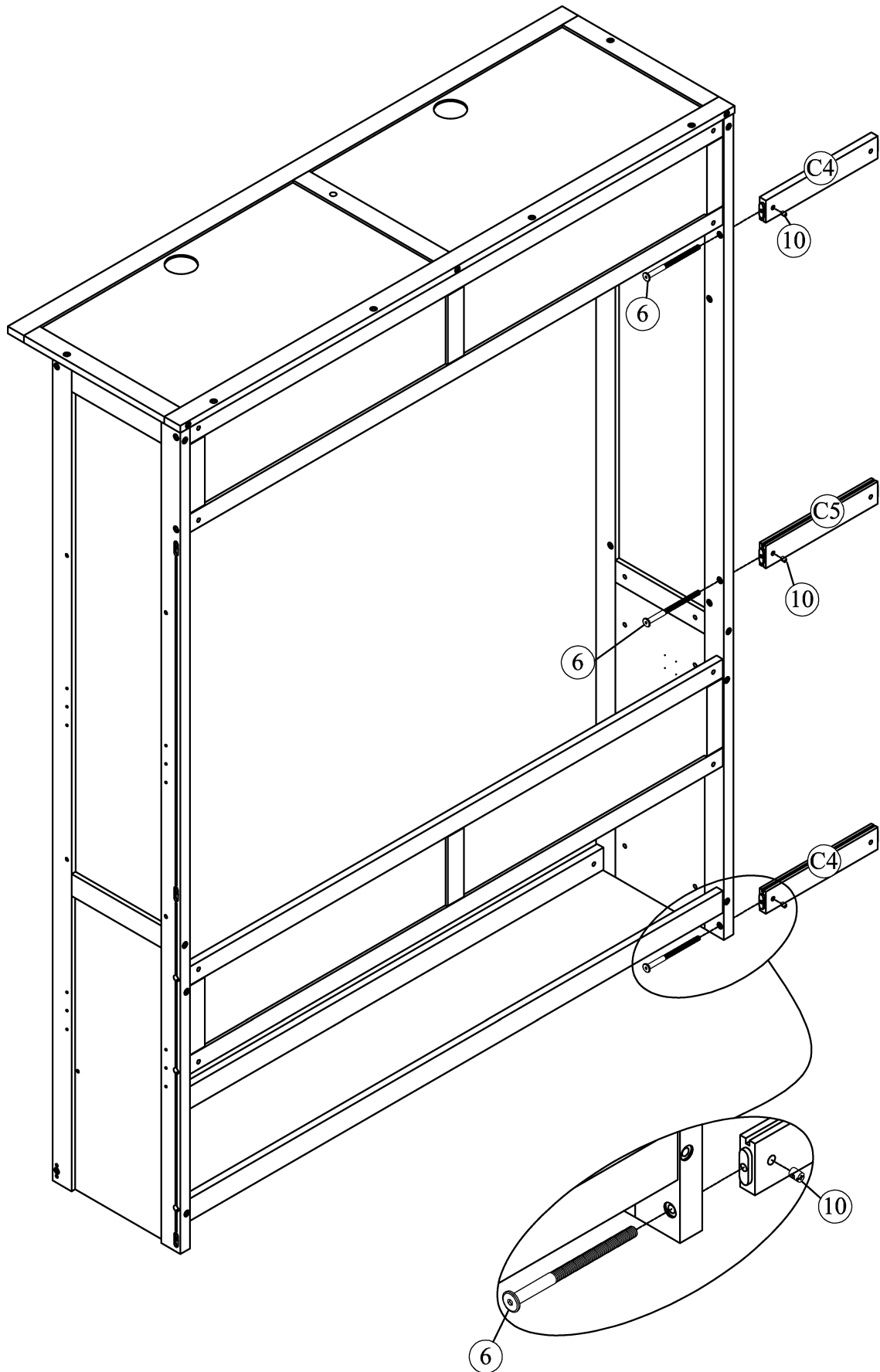
1(pc)

2(pcs)



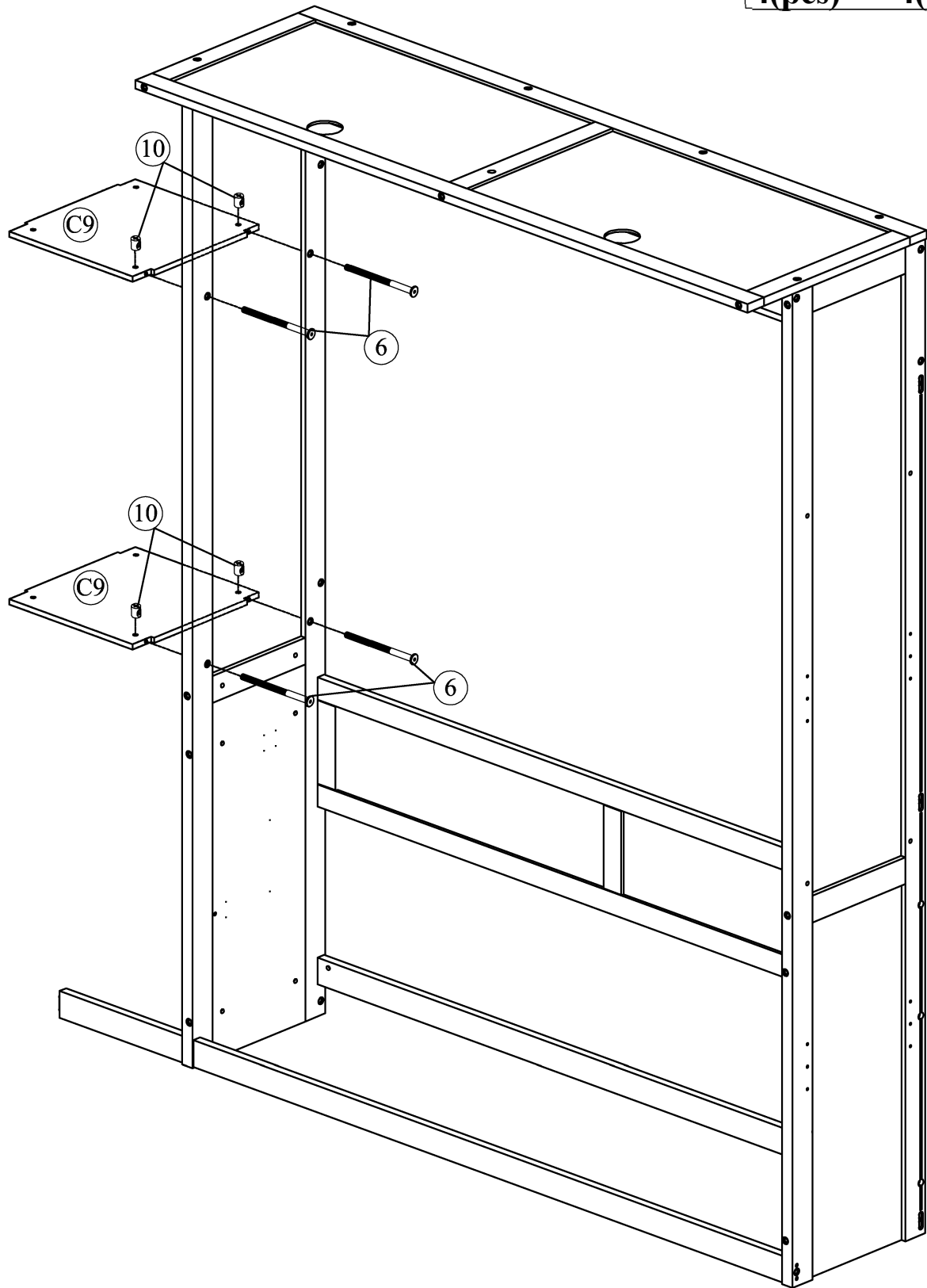
STEP 12 : Following below illustration.

10	6
	/
3(pcs)	3(pcs)

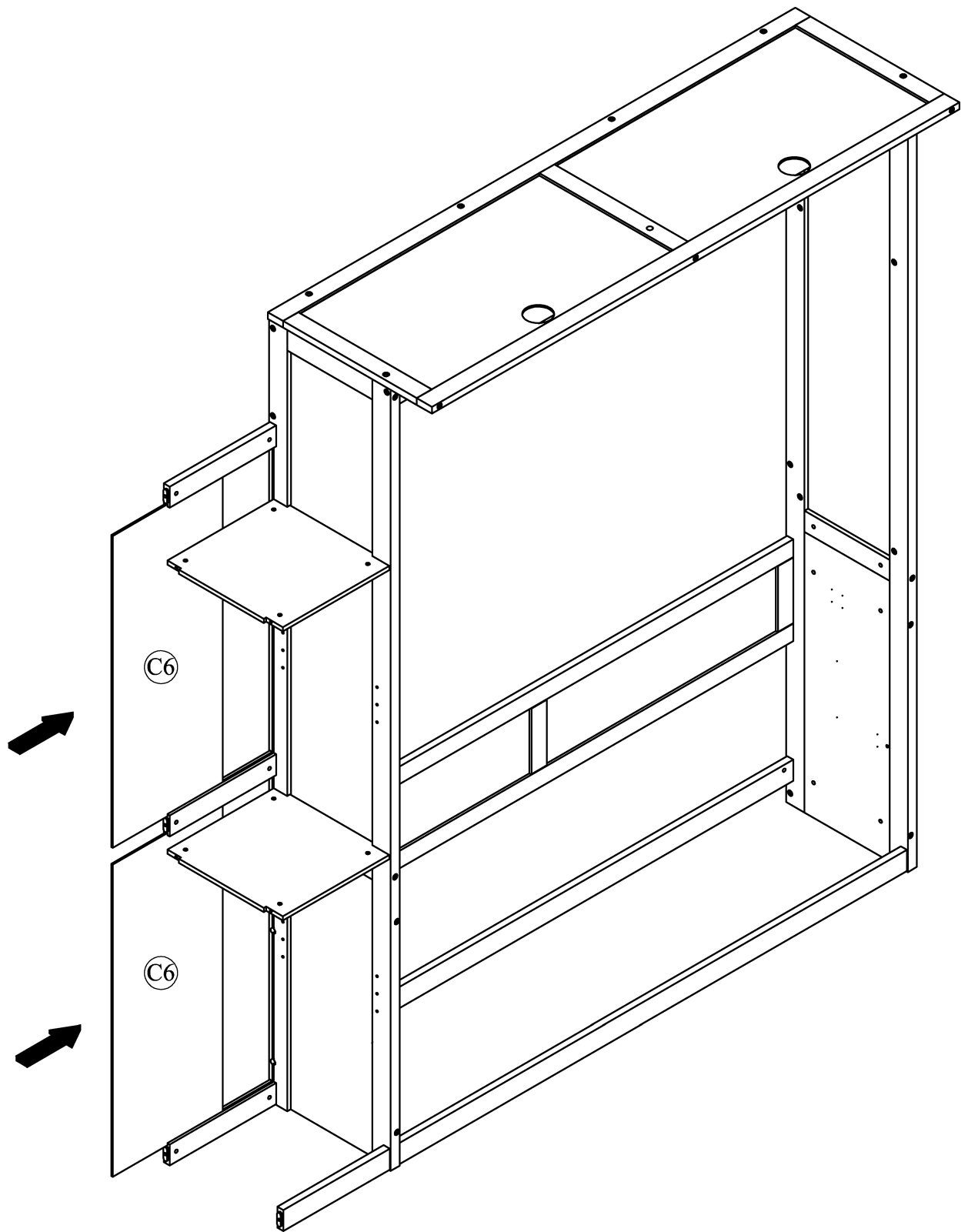


STEP 13 : Following below illustration.



10	6
	/
4(pcs)	4(pcs)

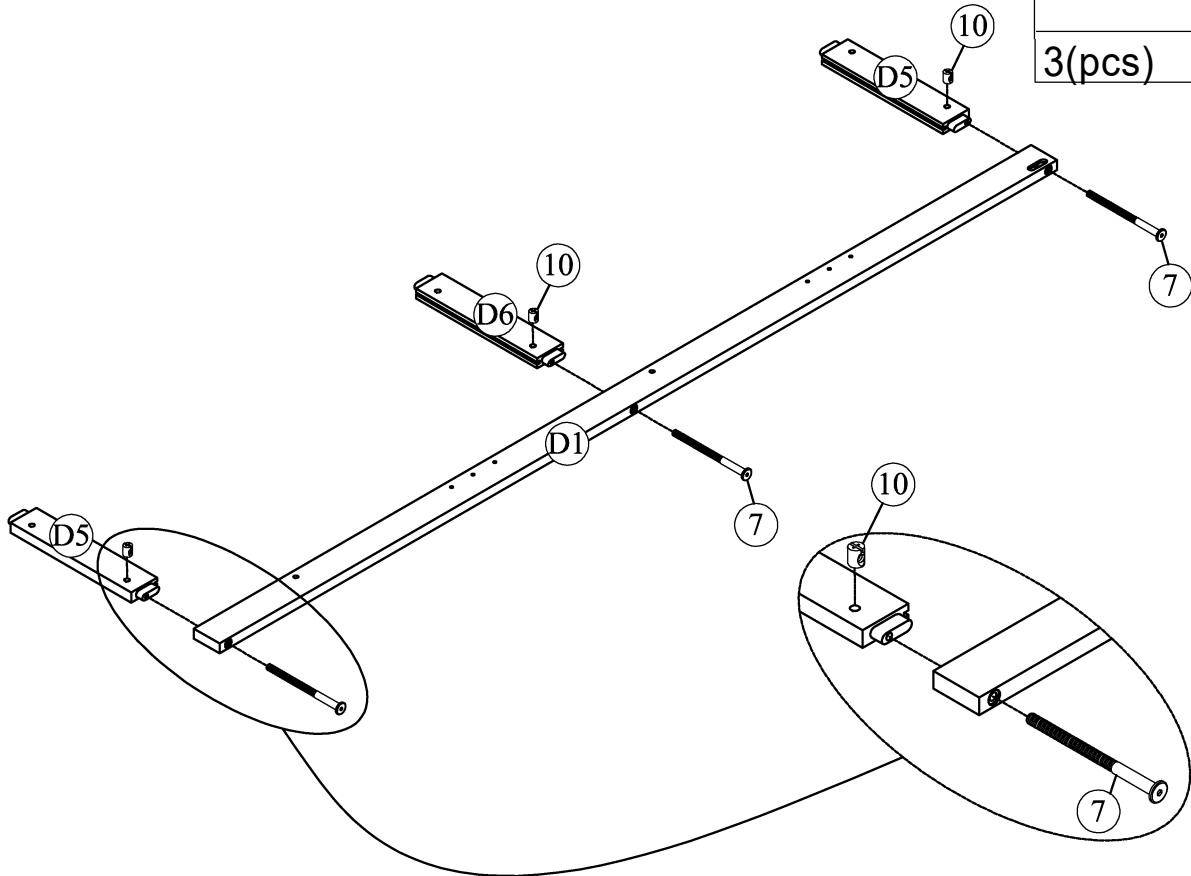


STEP 14 : Following below illustration.





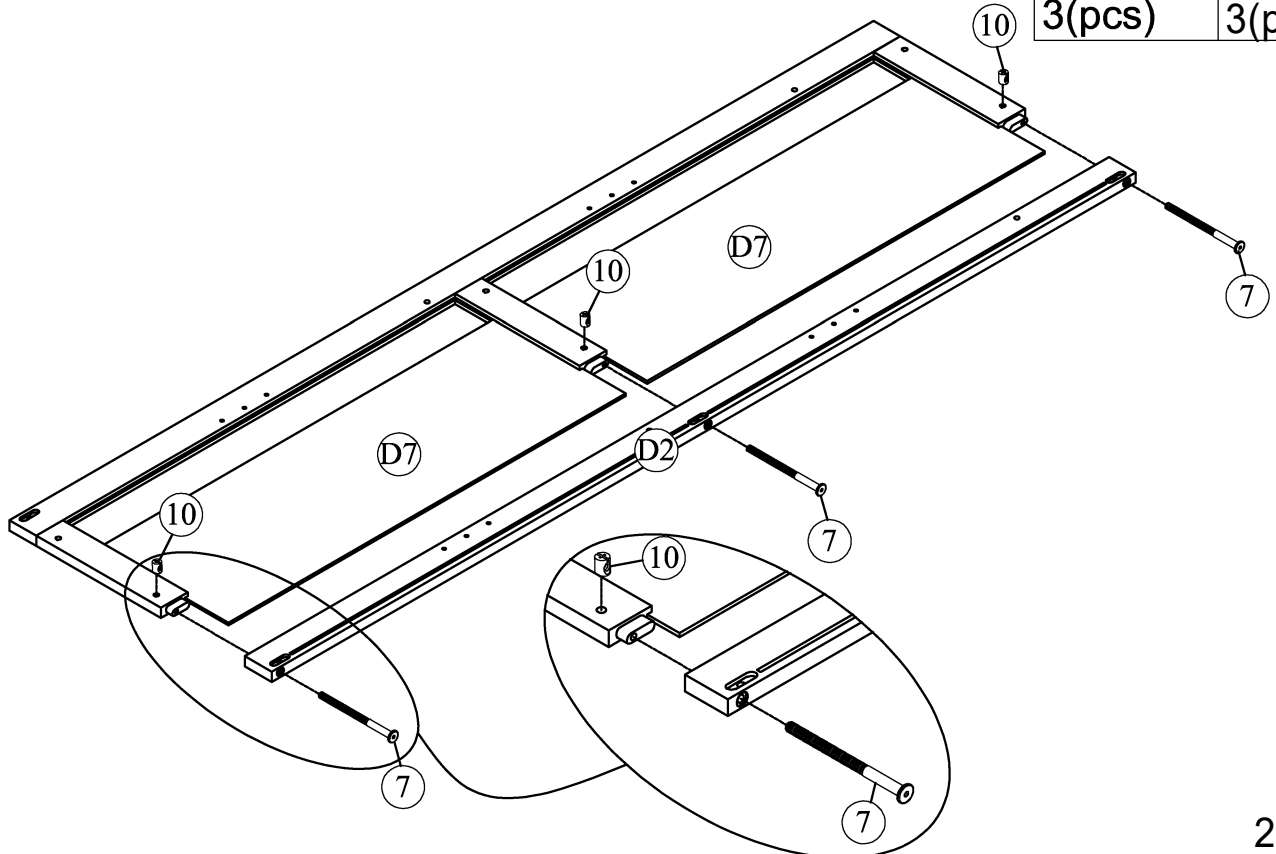
STE **p 1 5** : Following below illustration.

10	7
	
3(pcs)	3(pcs)



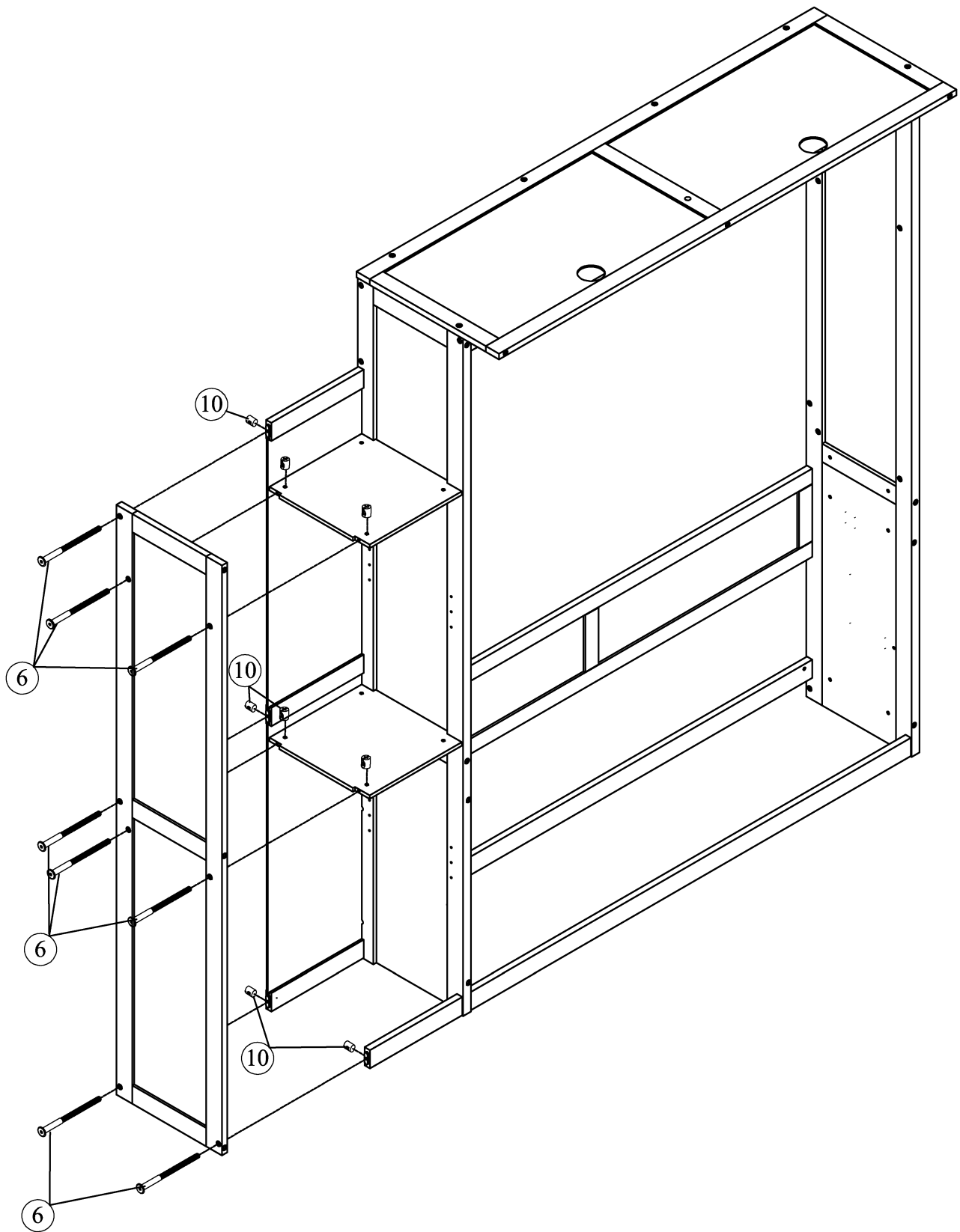
STE **p 1 6** : Following below illustration.

10	7
	
3(pcs)	3(pcs)



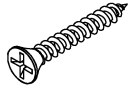
STEP 17: Following below illustration.

10	6
	/
8(pcs)	8(pcs)

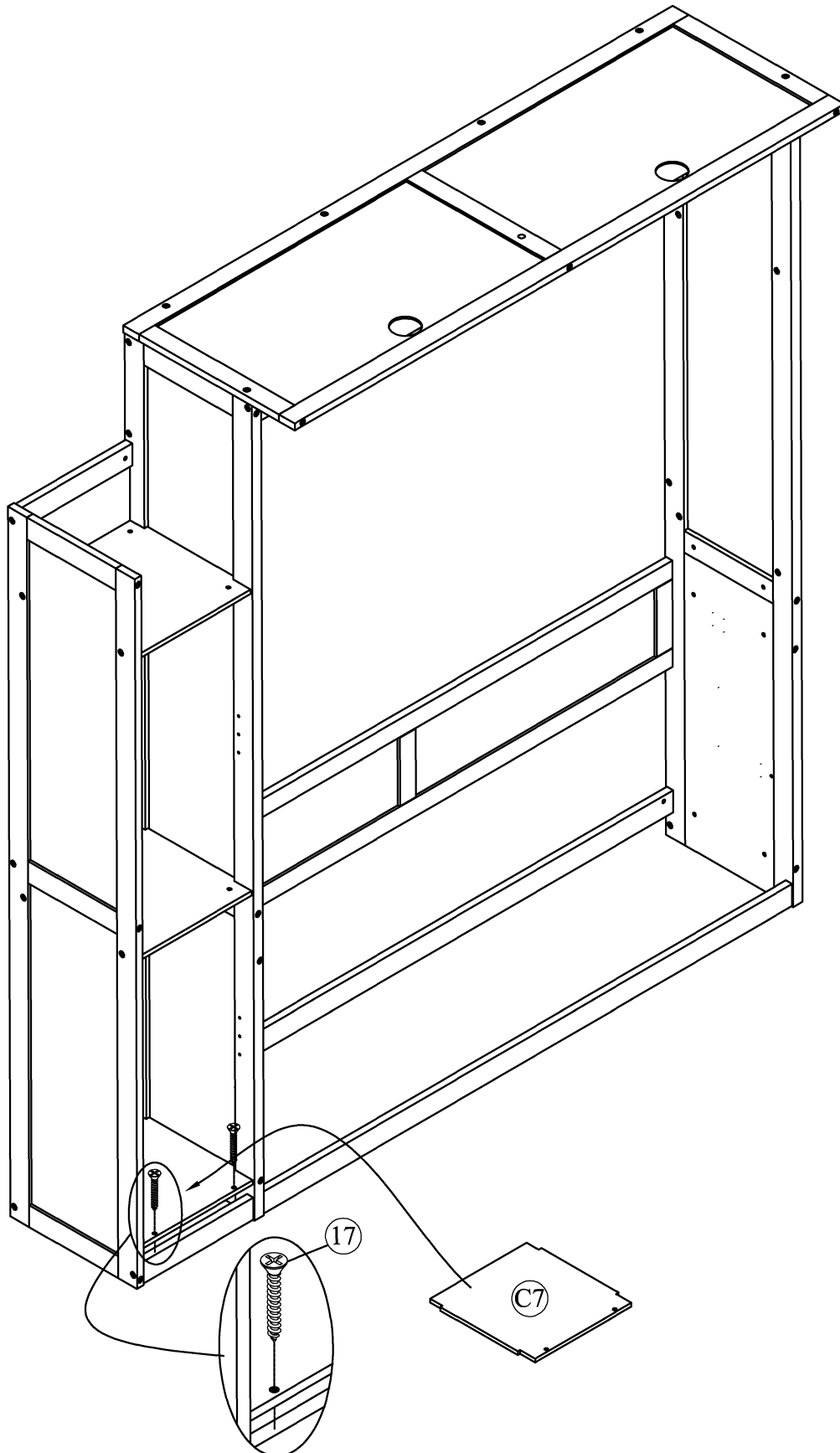


STEP 18: Following below illustration.

17



2(pcs)

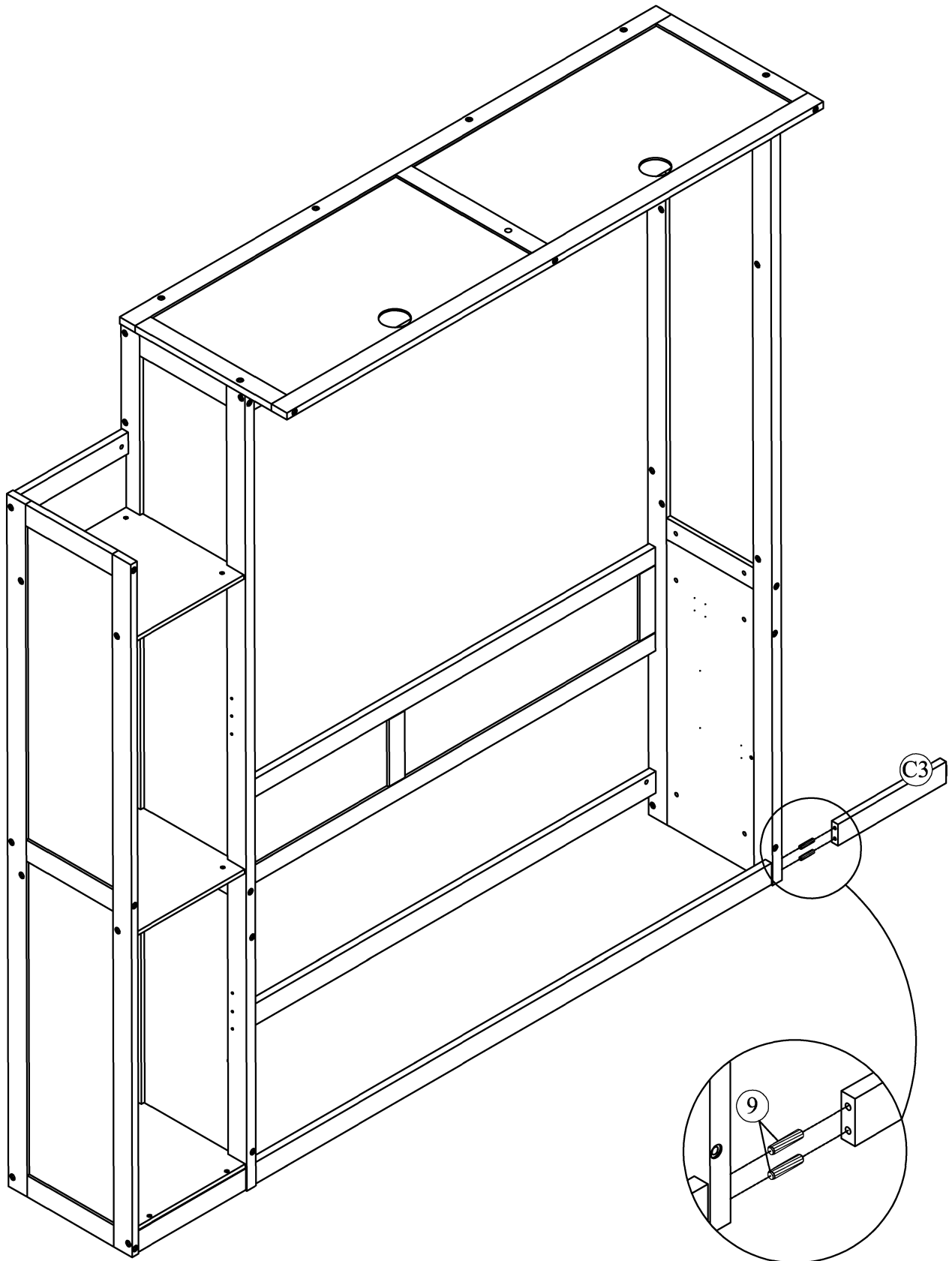


STEP 19 : Following below illustration.

9

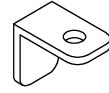


2(pcs)



Step 20: Following below illustration.

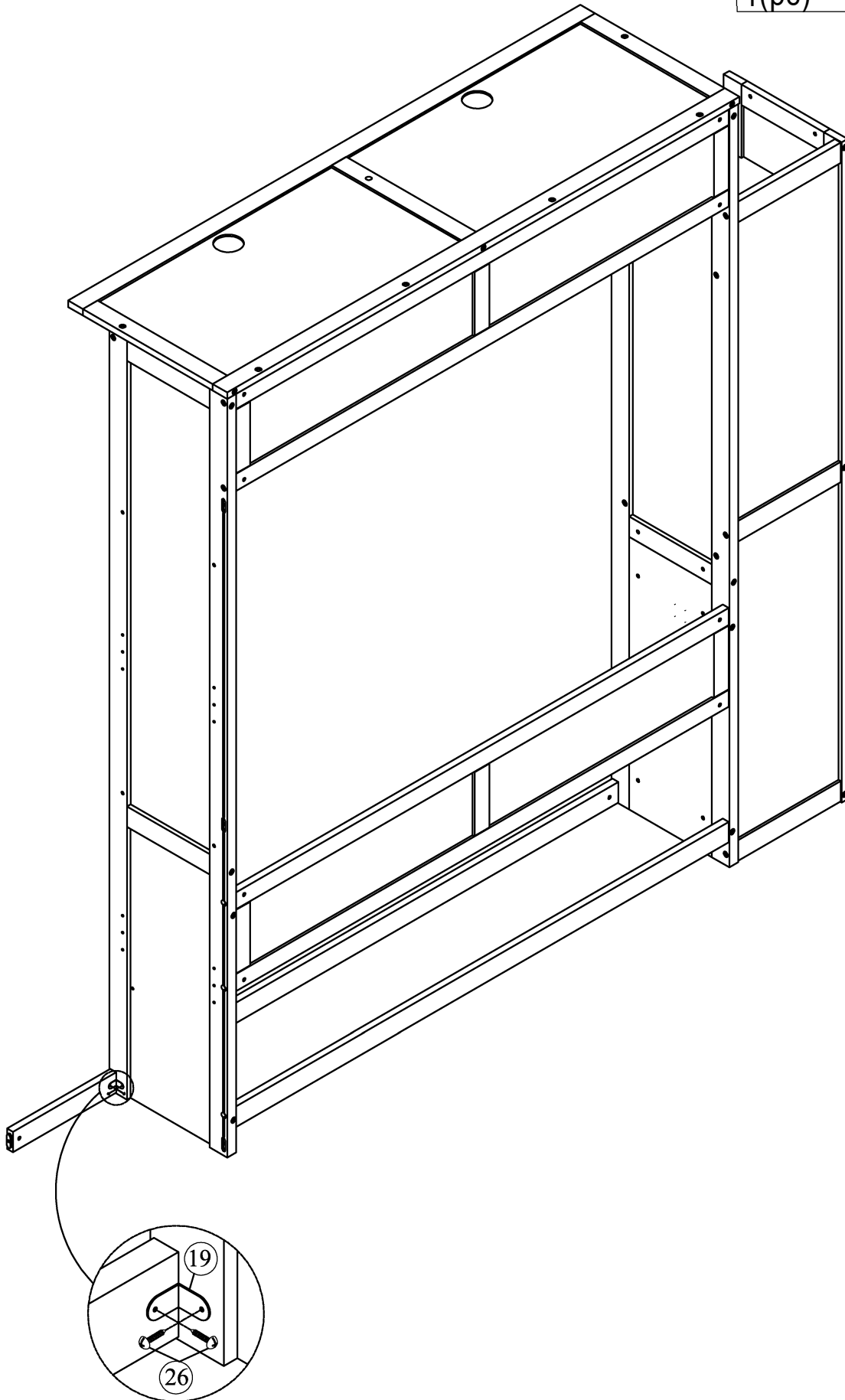
26



19

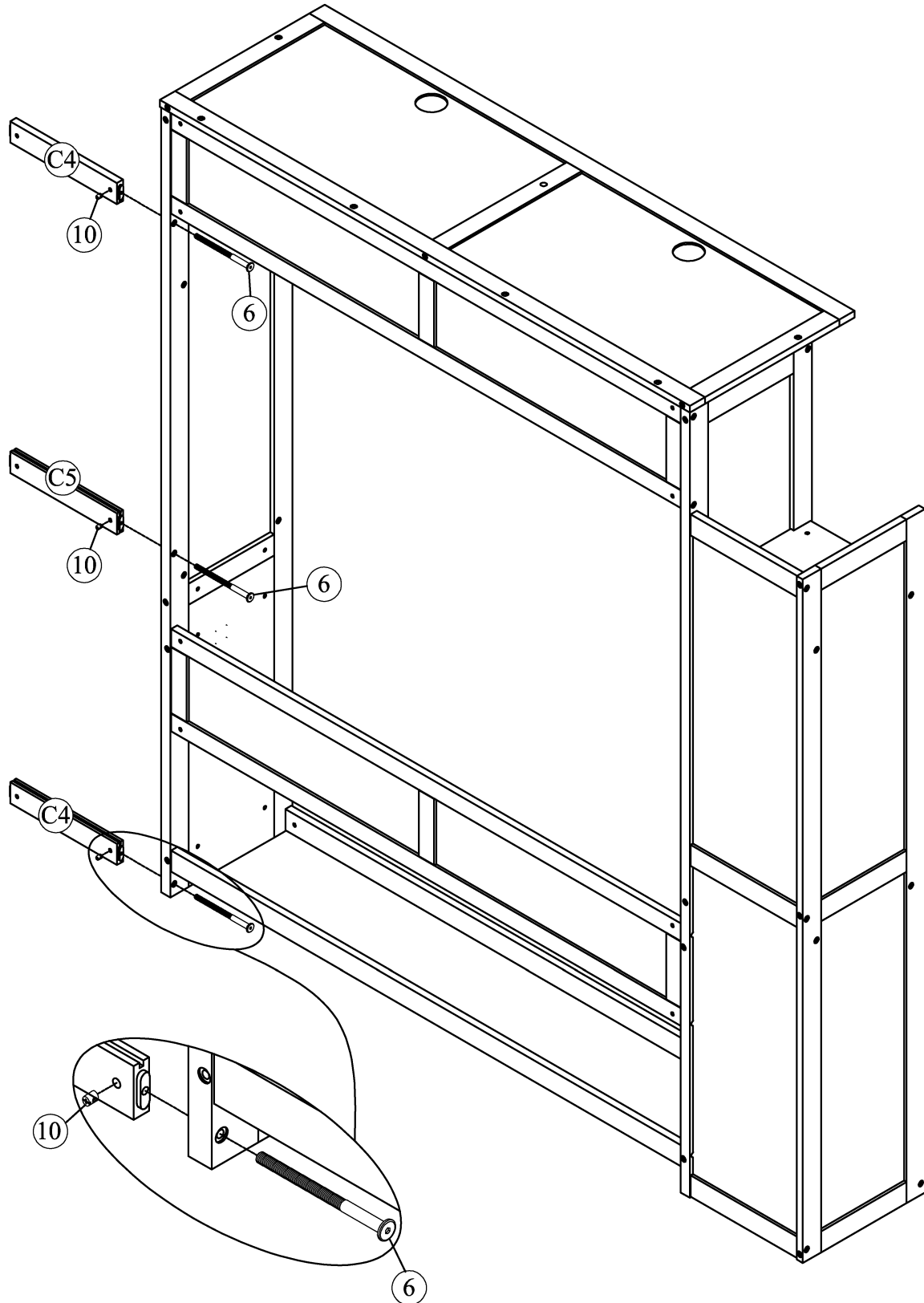
1(pc)

2(pcs)



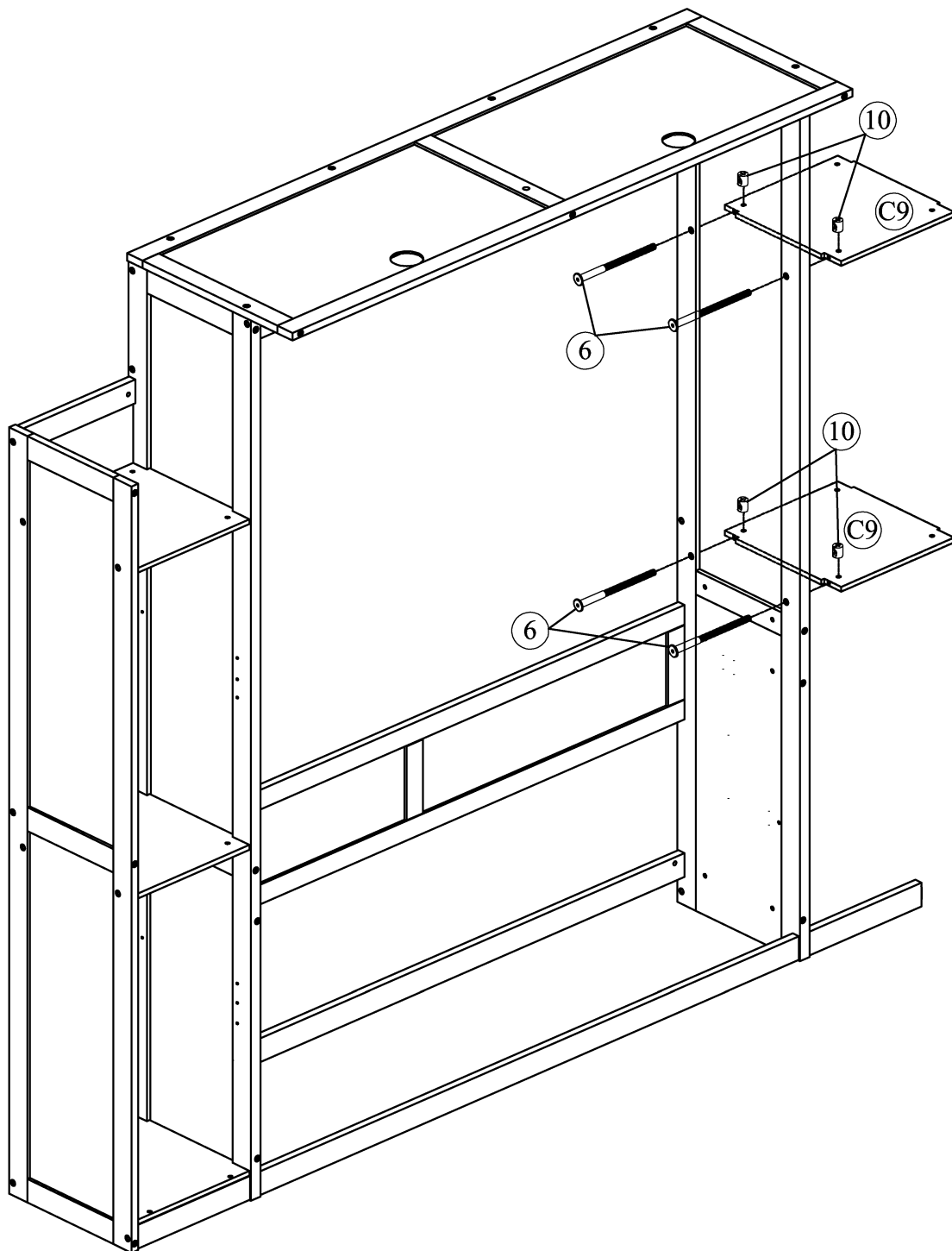
STEP21 : Following below illustration.

11Qj	1_§J
	/
3(pcs)	3(pcs)

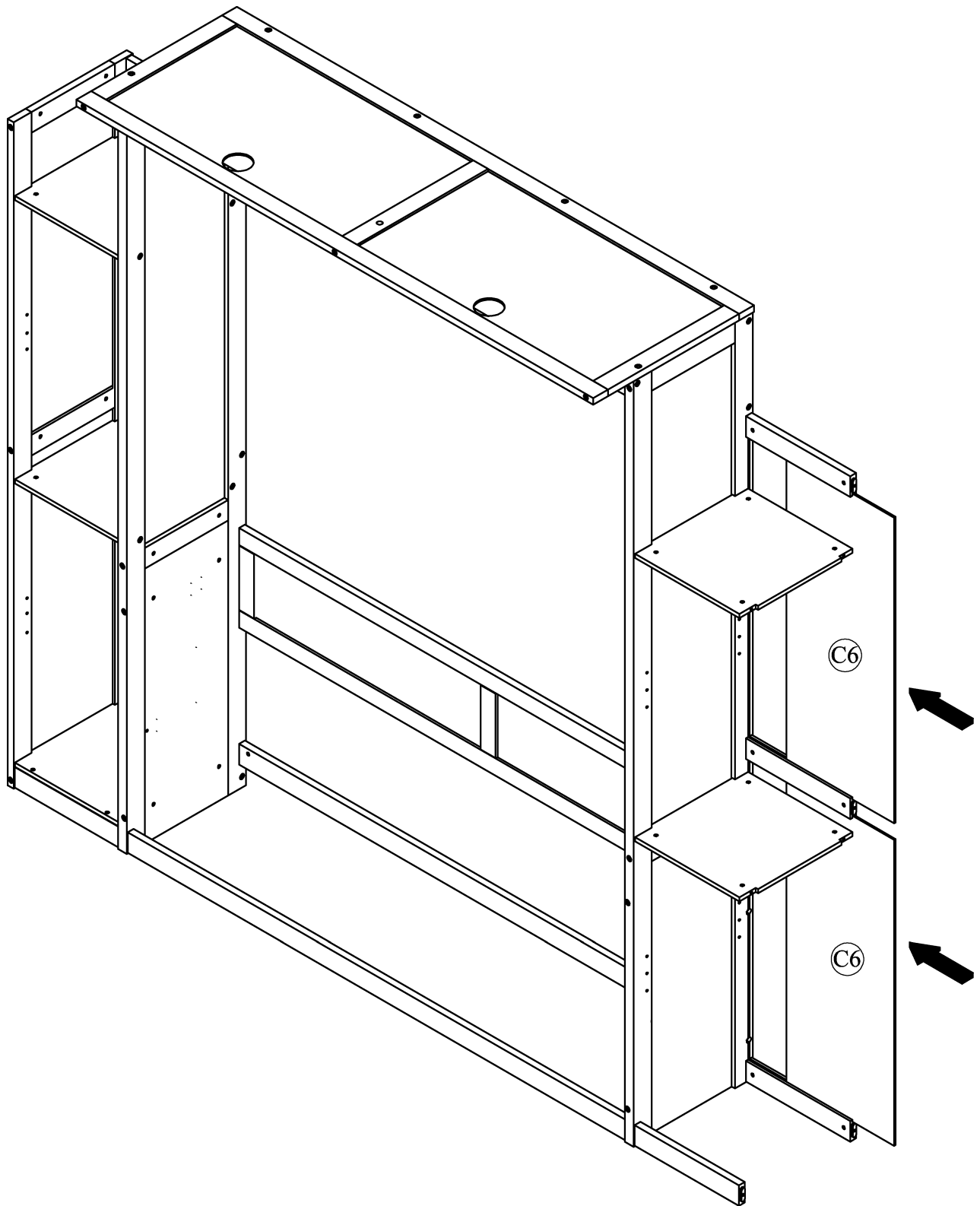


STEP22: Following below illustration.



10	6
	/
4(pcs)	4(pcs)

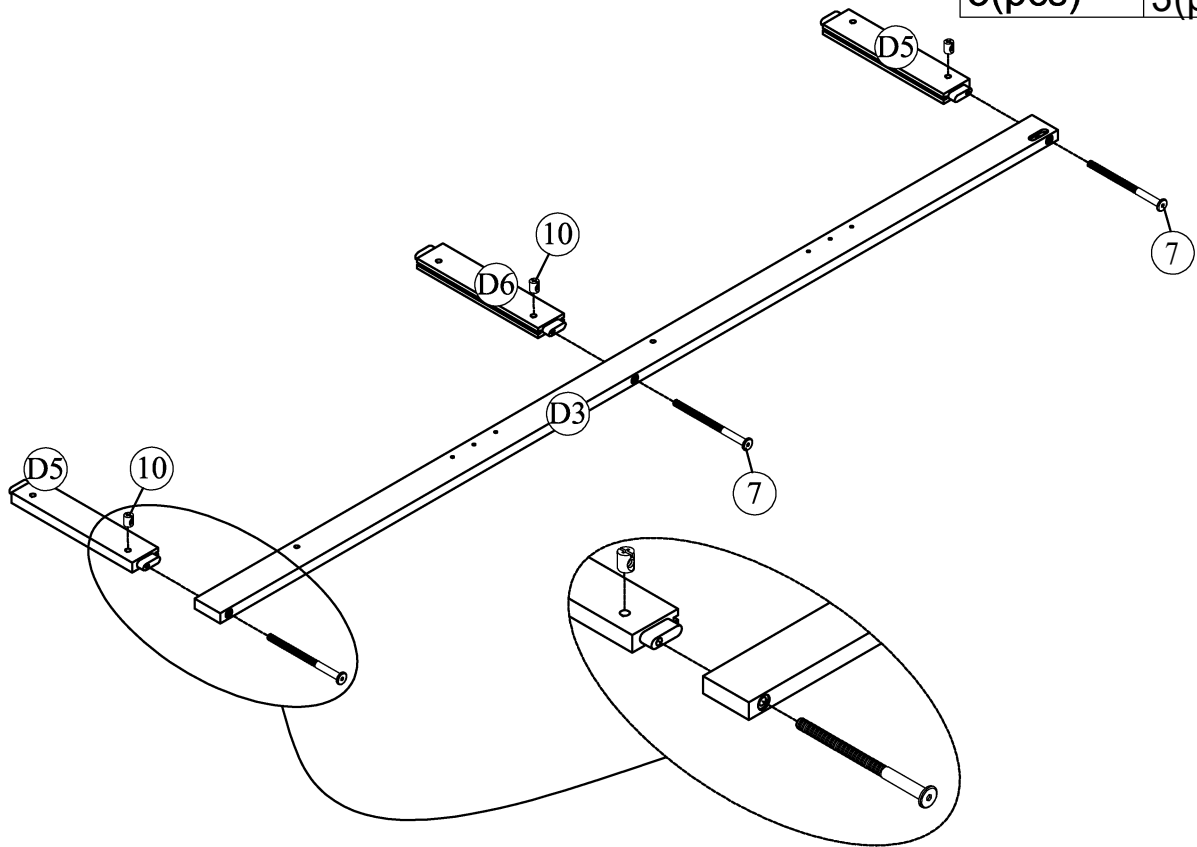


STEP 23: Following below illustration.





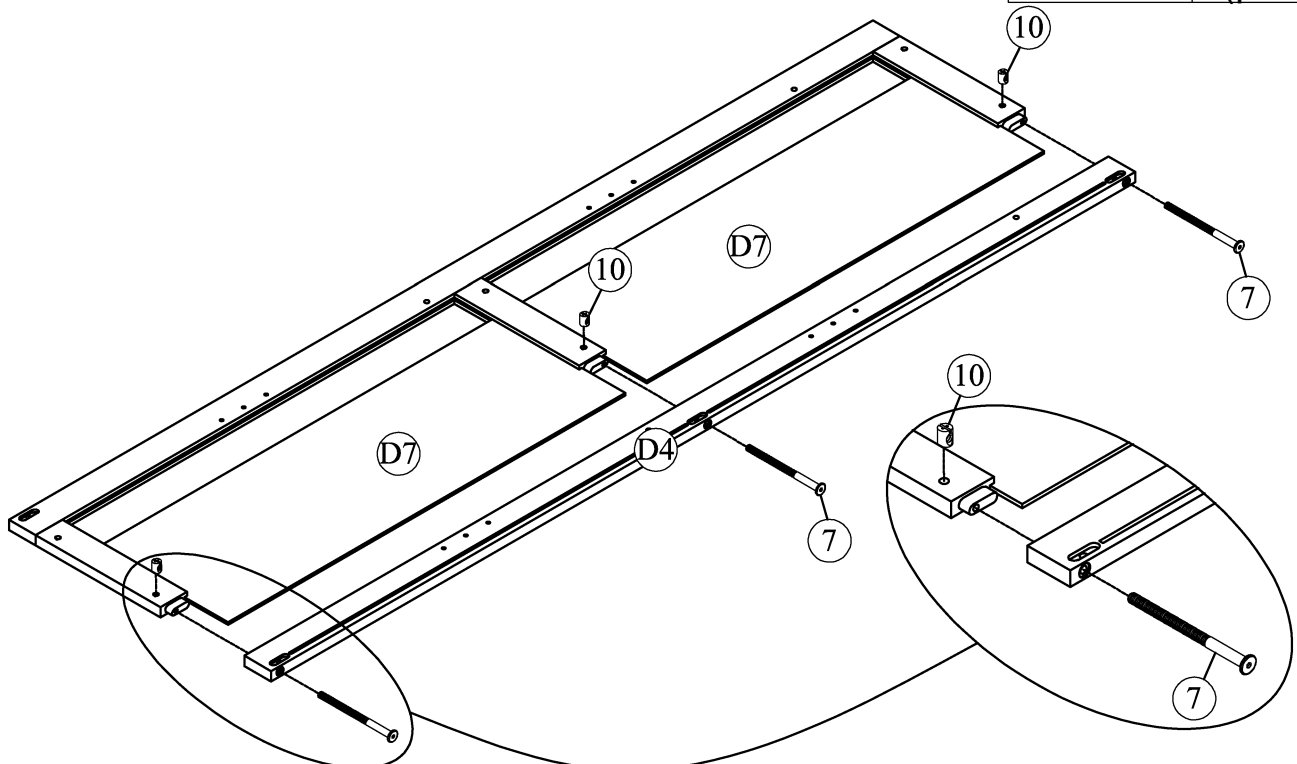
STE **p2 4** : Following below illustration.

10	7
	
3(pcs)	3(pcs)



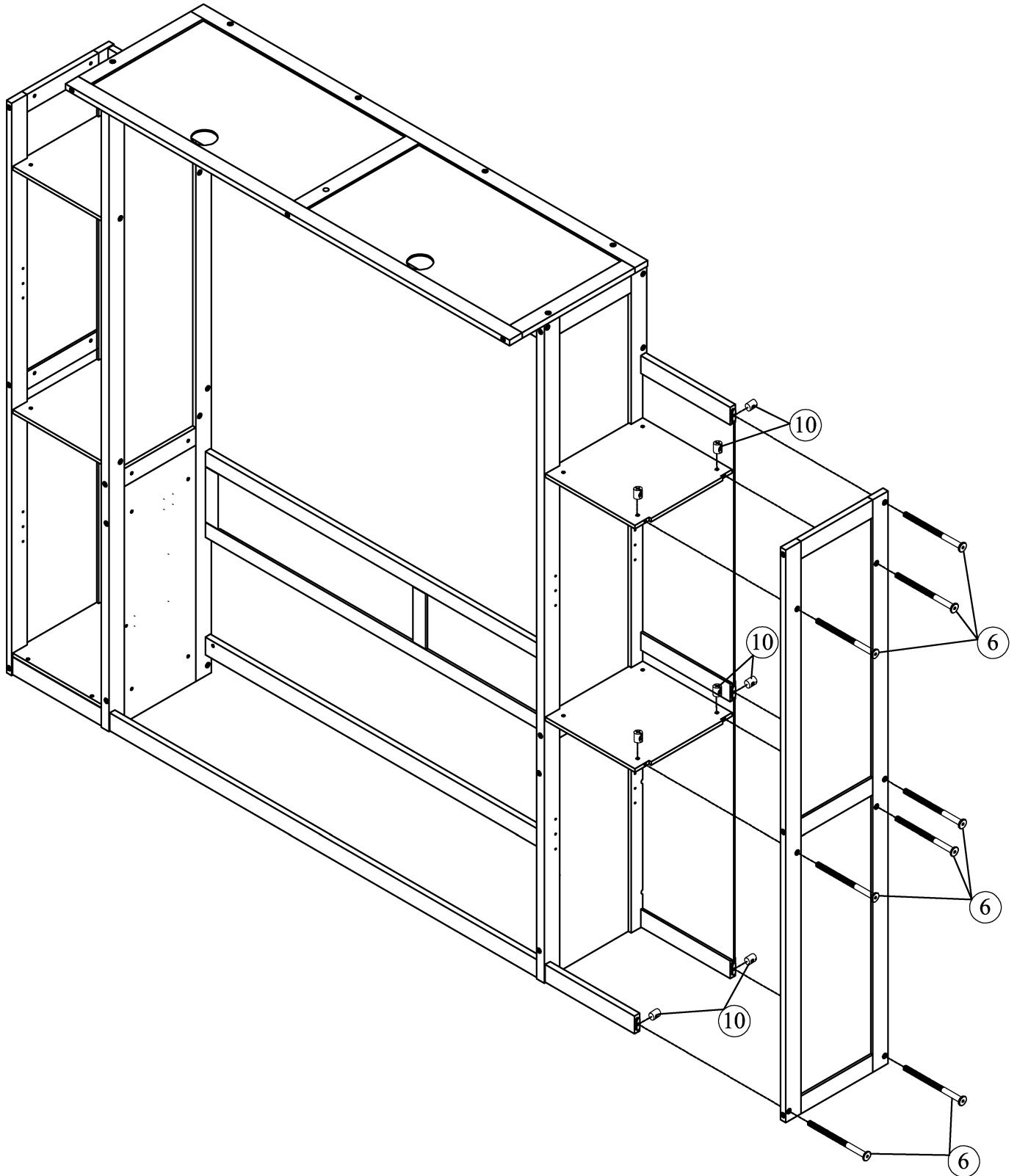
STE **p2 5** : Following below illustration.

10	7
	
3(pcs)	3(pcs)



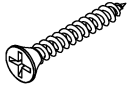
STEP 26: Following below illustration.

10	6
	/
8(pcs)	8(pcs)

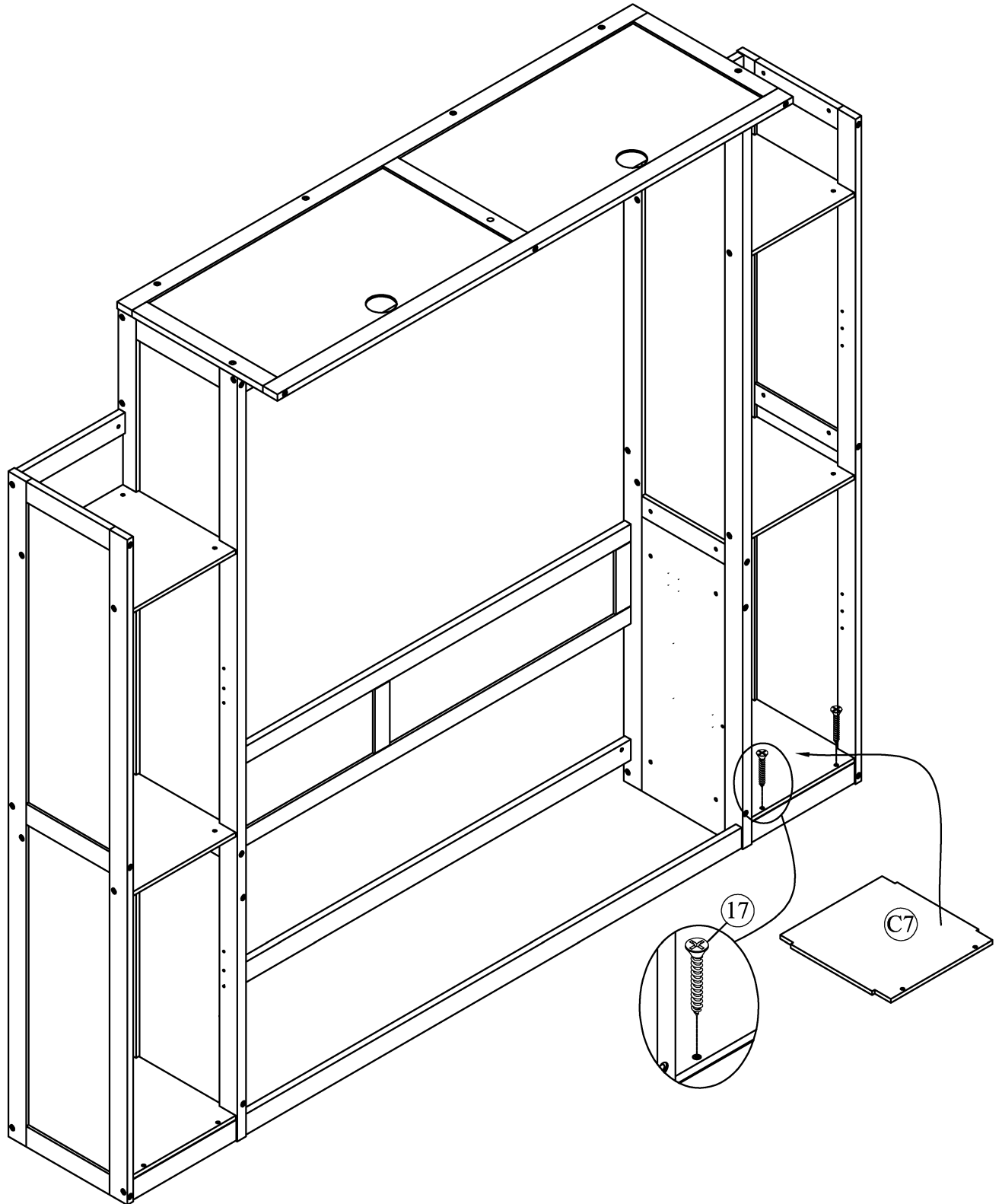


STEP 27: Following below illustration.

17

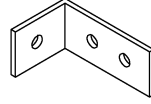


2(pcs)



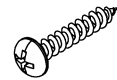
STEP 28: Following below illustration.

21



2(pcs)

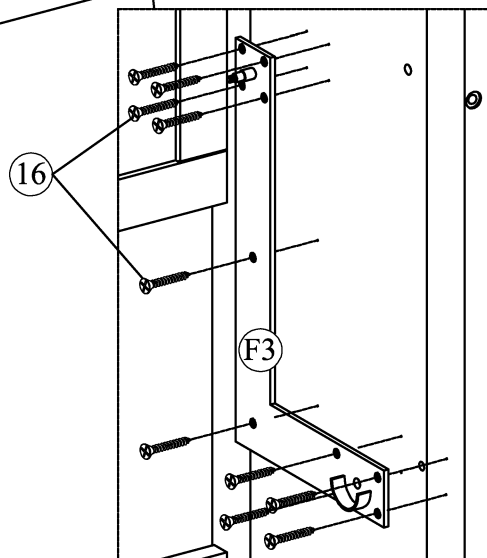
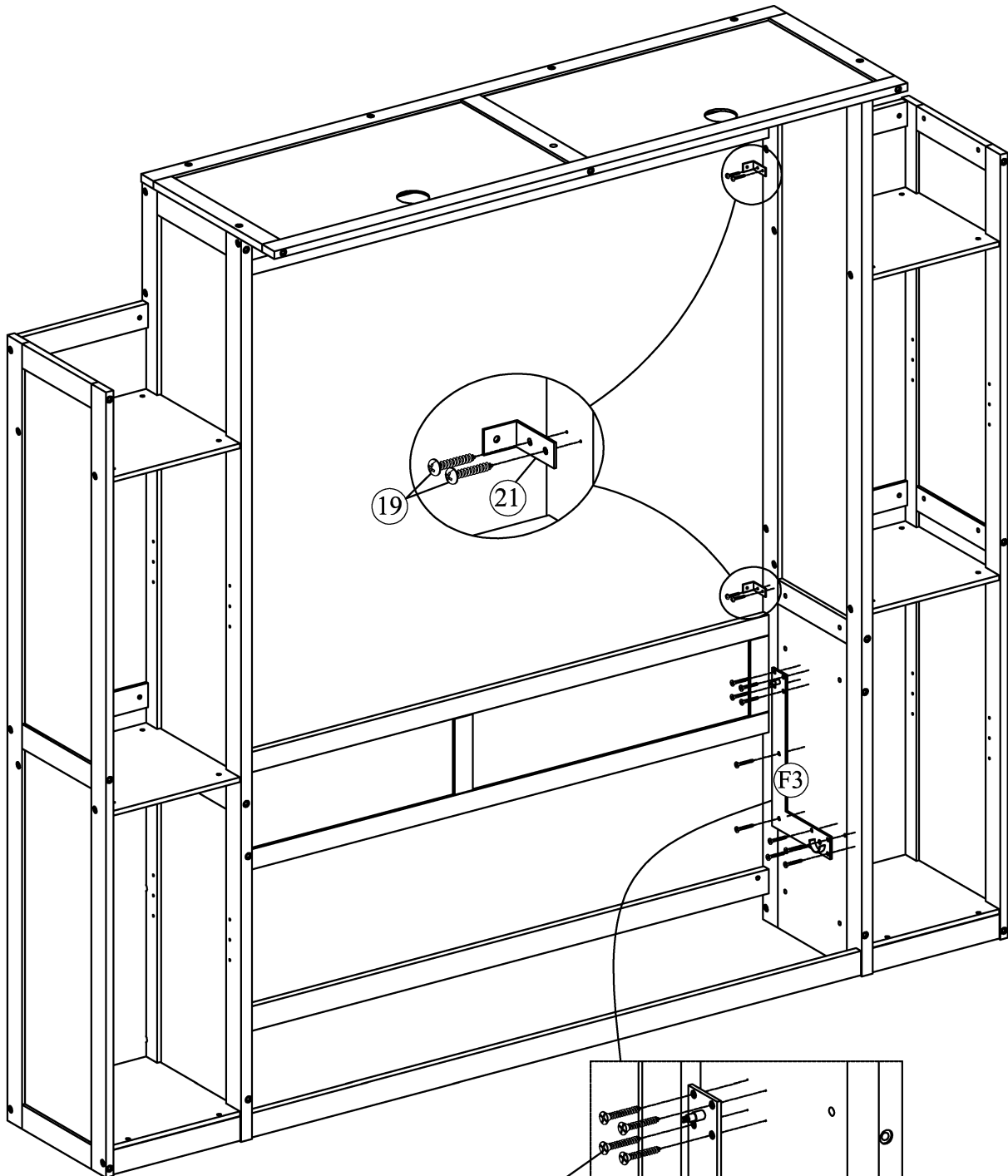
19



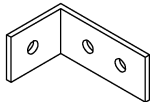
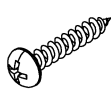
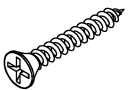
4(pcs)

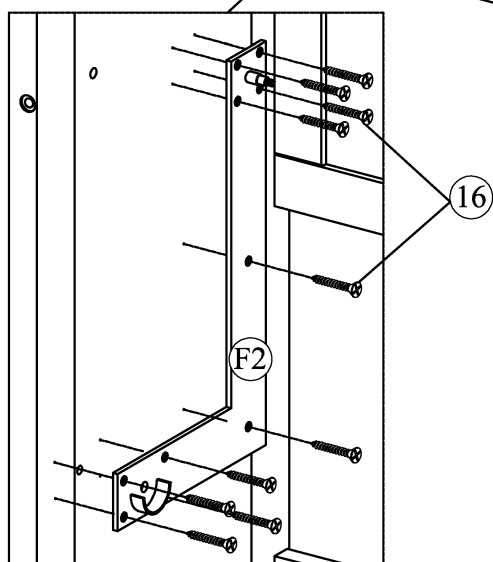
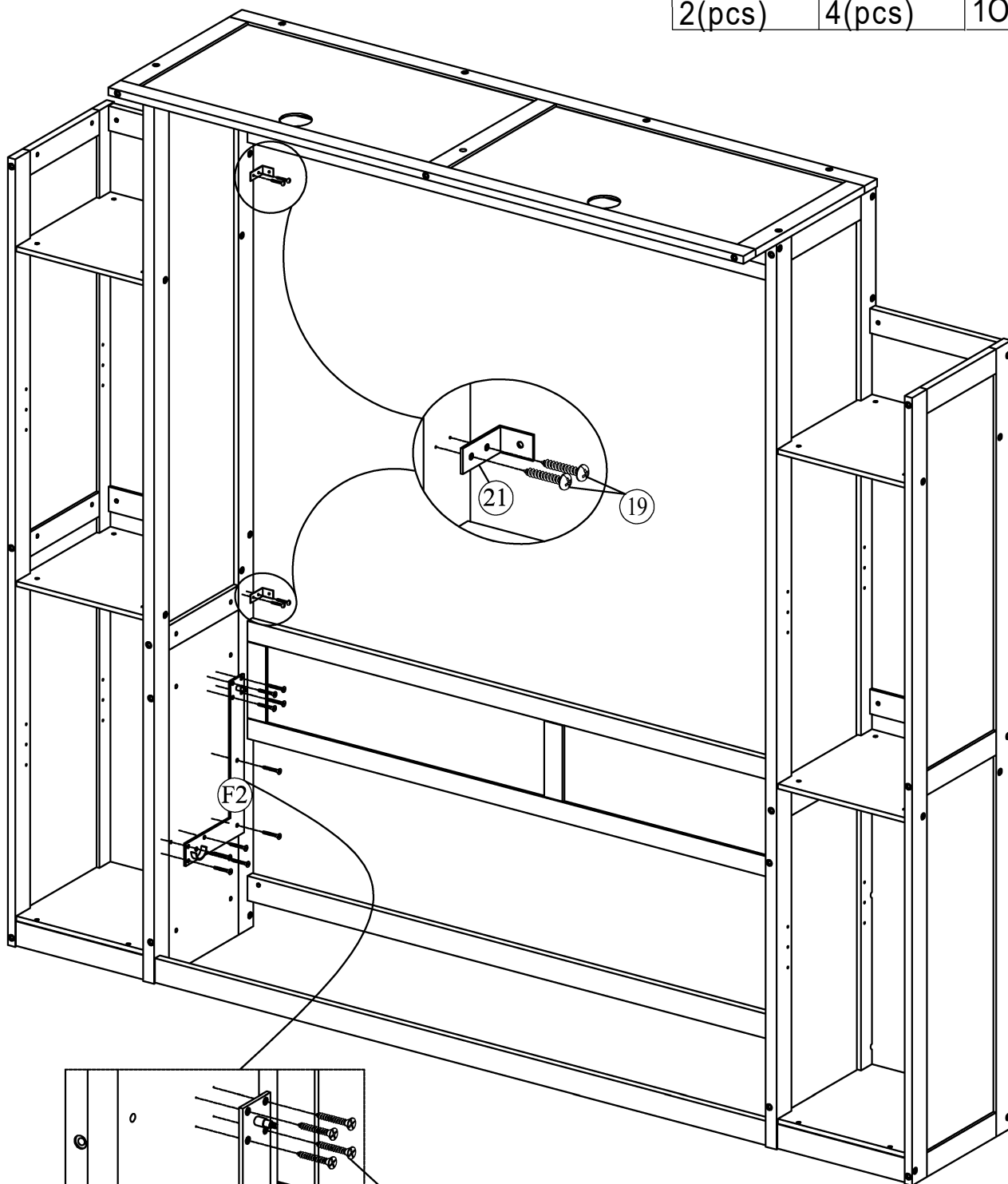
16

10(pcs)

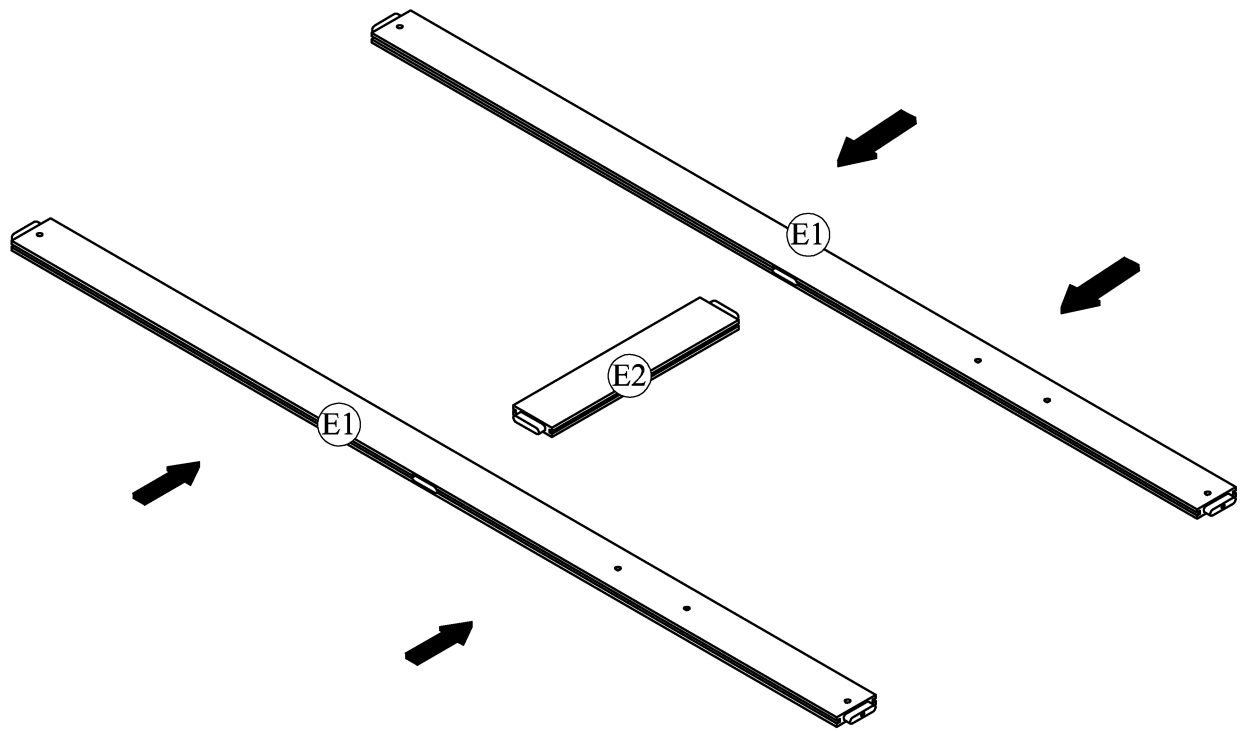


STEP 2g: Following below illustration.



21	19	16
		
2(pcs)	4(pcs)	10(pcs)

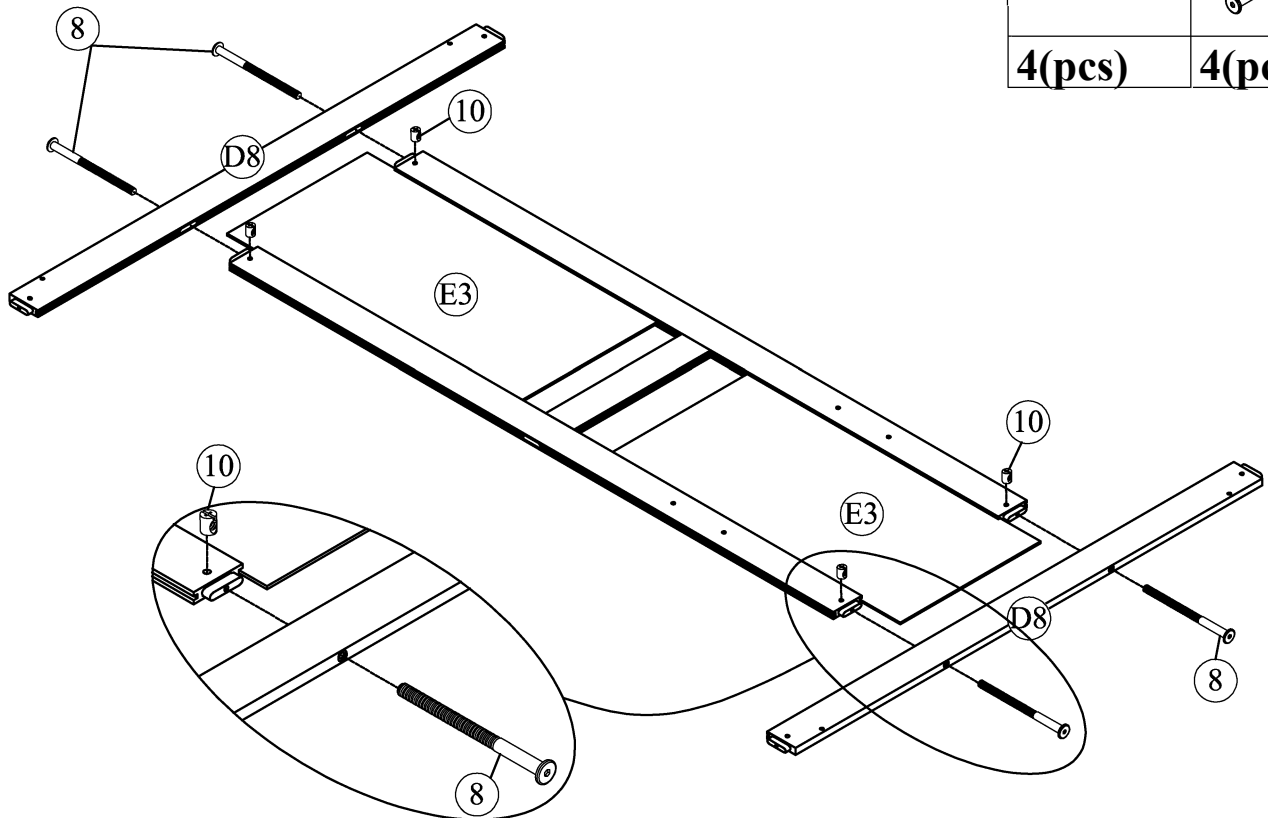


STE **p3 Q** : Following below illustration.



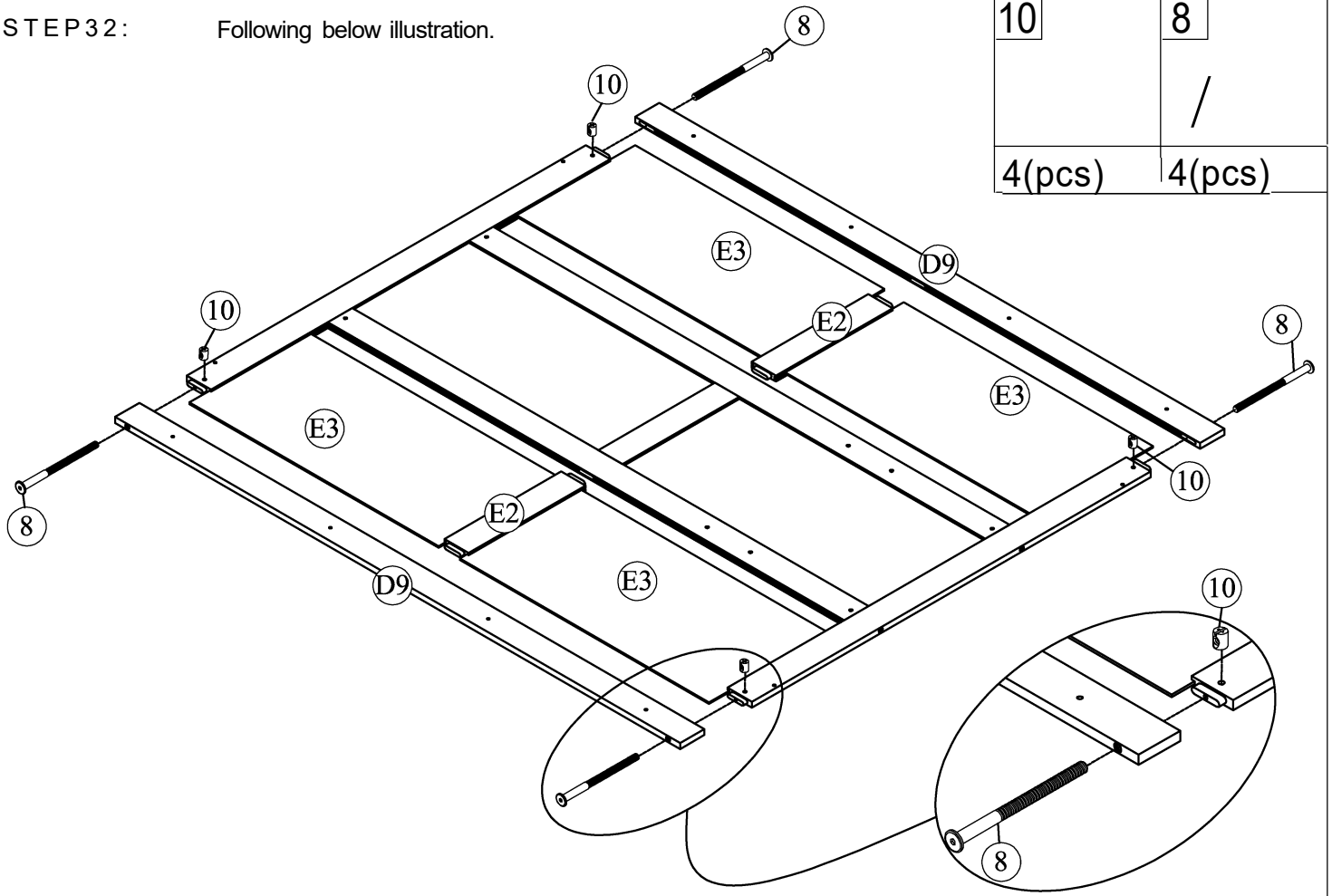
STE **p31** : Following below illustration.

10	8
	
4(pcs)	4(pcs)



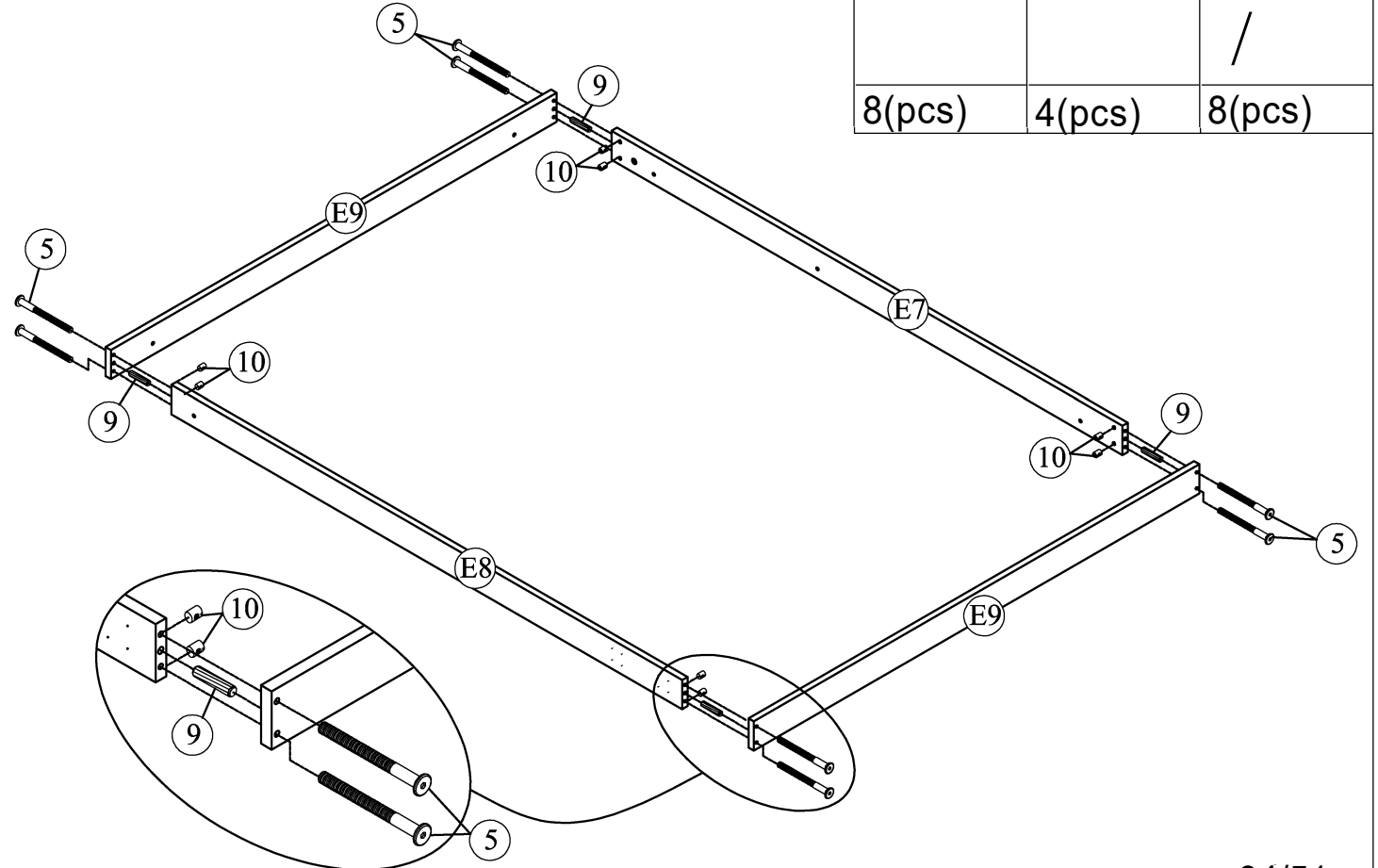
STEP 32: Following below illustration.

10	8
	/
4(pcs)	4(pcs)



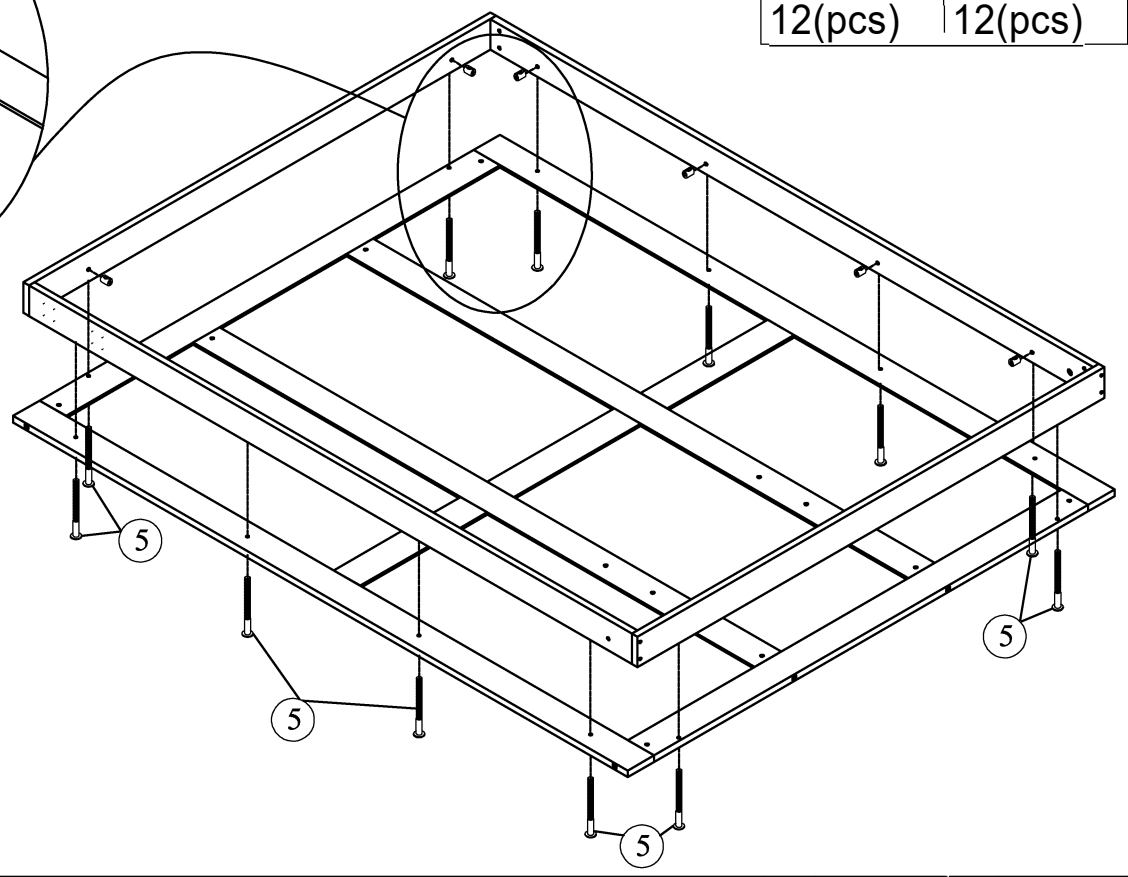
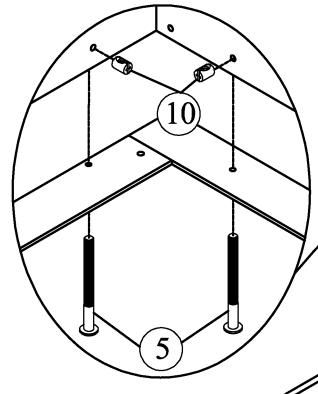
STEP 33: Following below illustration.

10	9	5
		/
8(pcs)	4(pcs)	8(pcs)

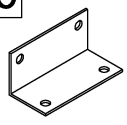


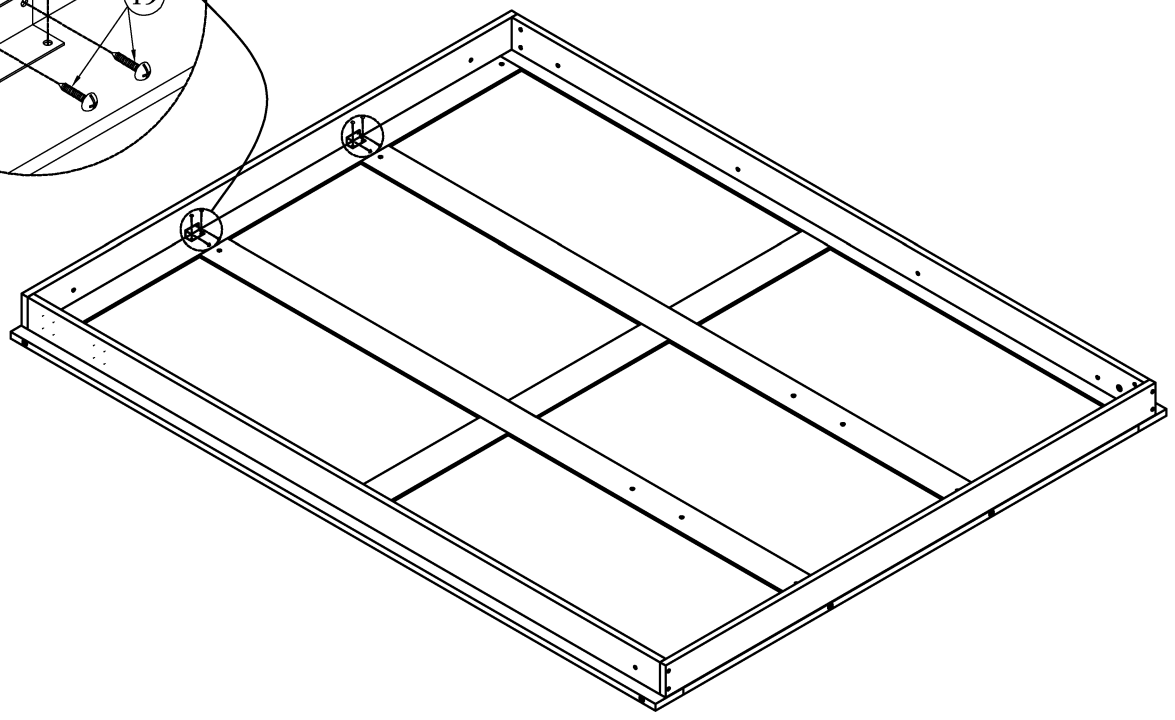
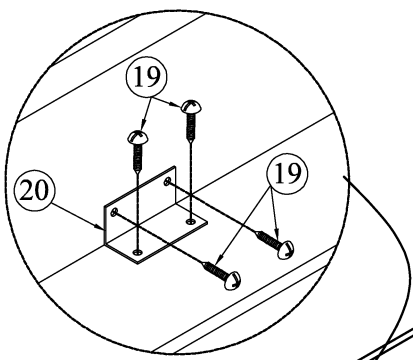
STE p 34 : Following below illustration.

10	5
	/
12(pcs)	12(pcs)



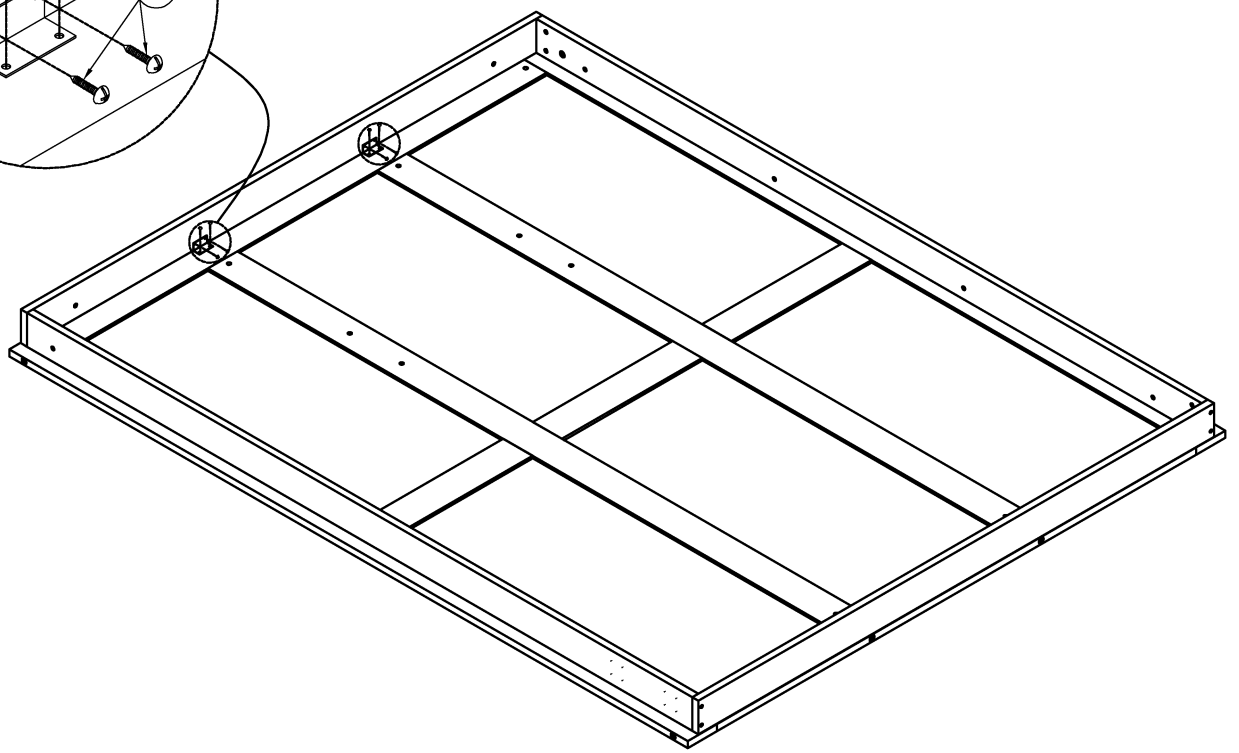
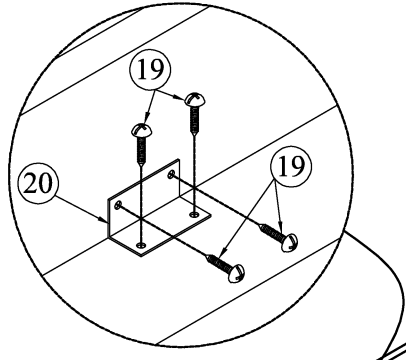
STE p 3 5 : Following below illustration.

20	19
	
2(pcs)	8(pcs)



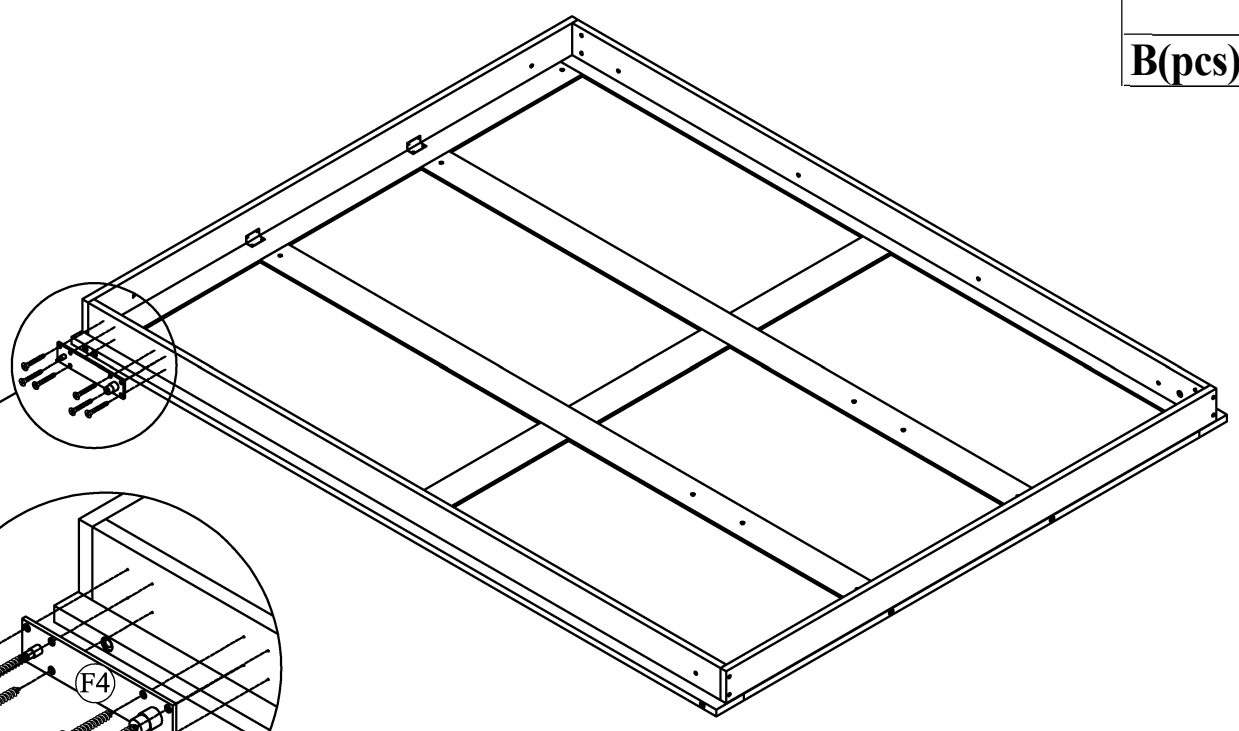
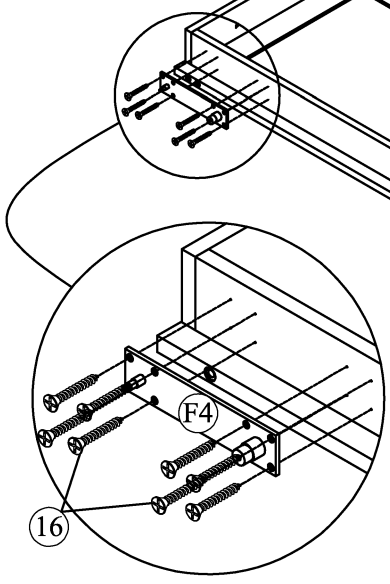
STE P36: Following below illustration.

20	19
0	
2(pcs)	B(pcs)



STE p37 : Following below illustration.

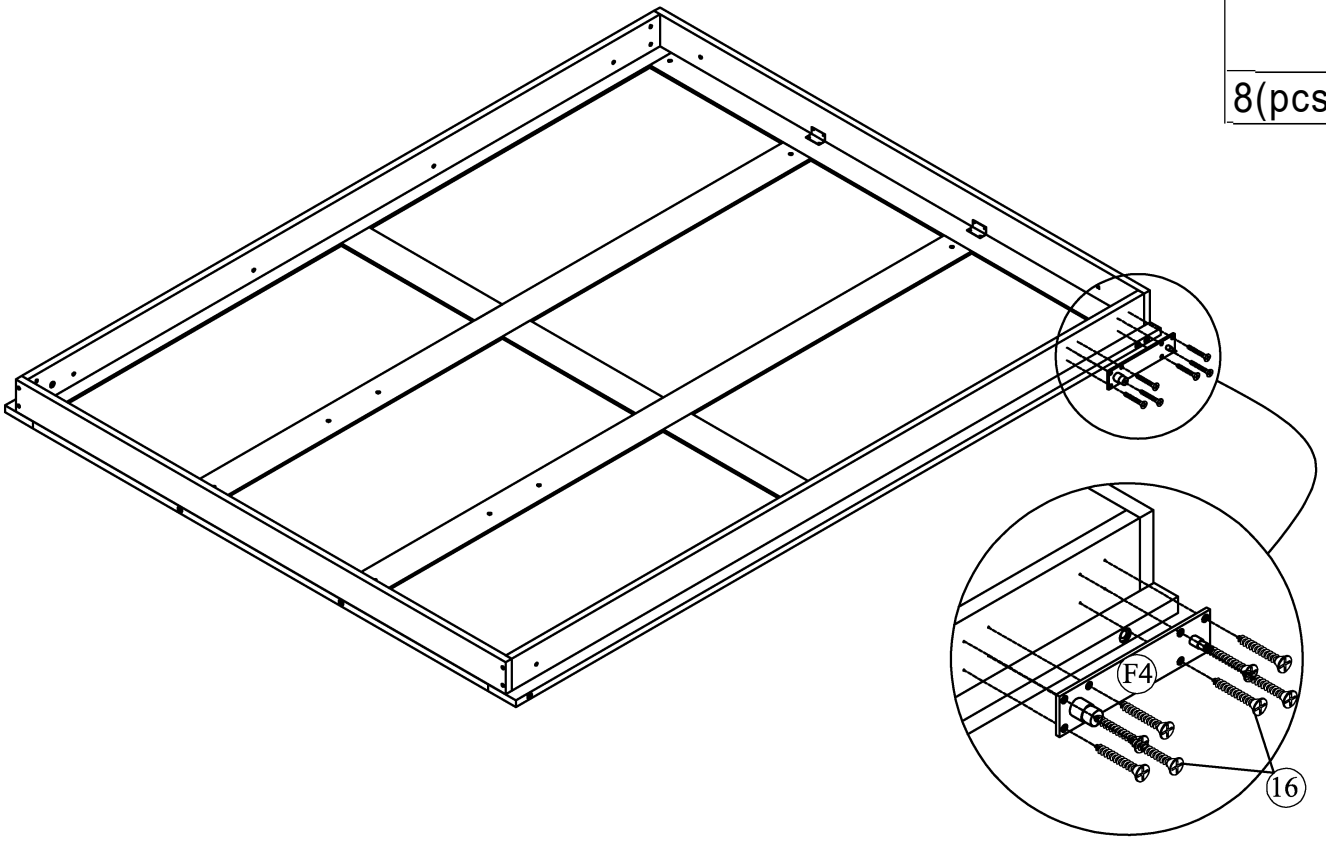
16
B(pcs)



STE P38: Following below illustration.

16

8(pcs)



STE P39: Following below illustration.

15

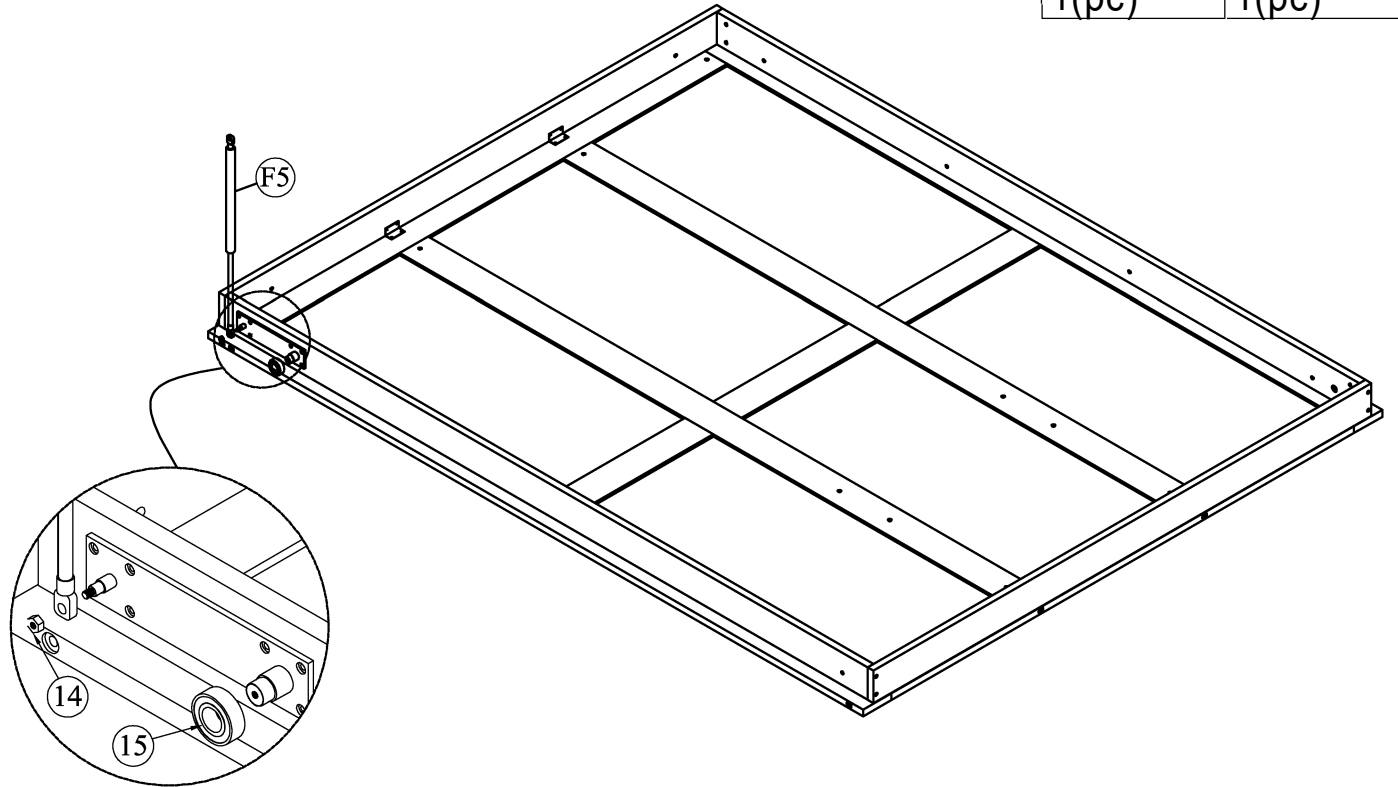


1(pc)



14

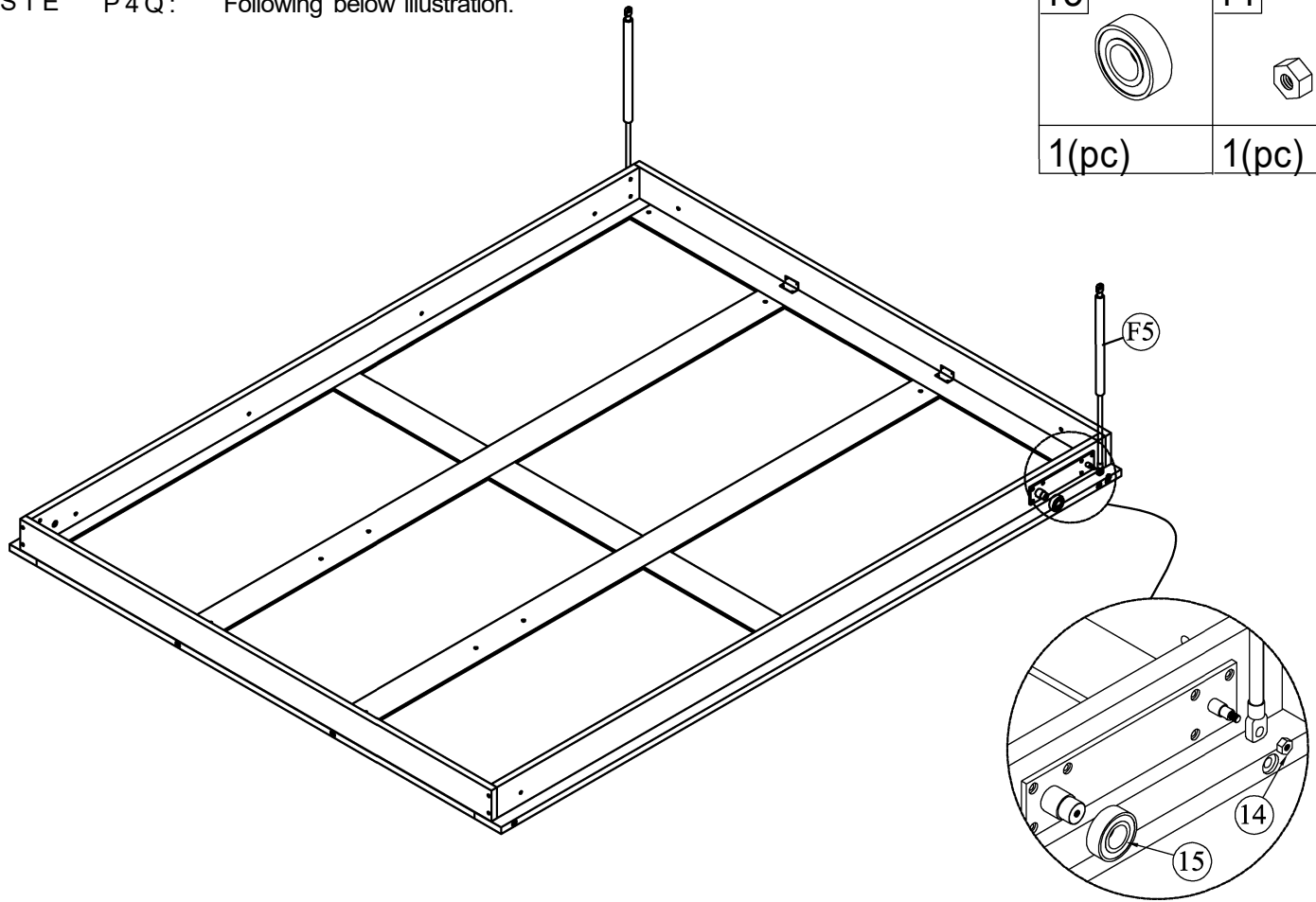


1(pc)



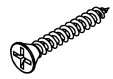
STE P4Q: Following below illustration.

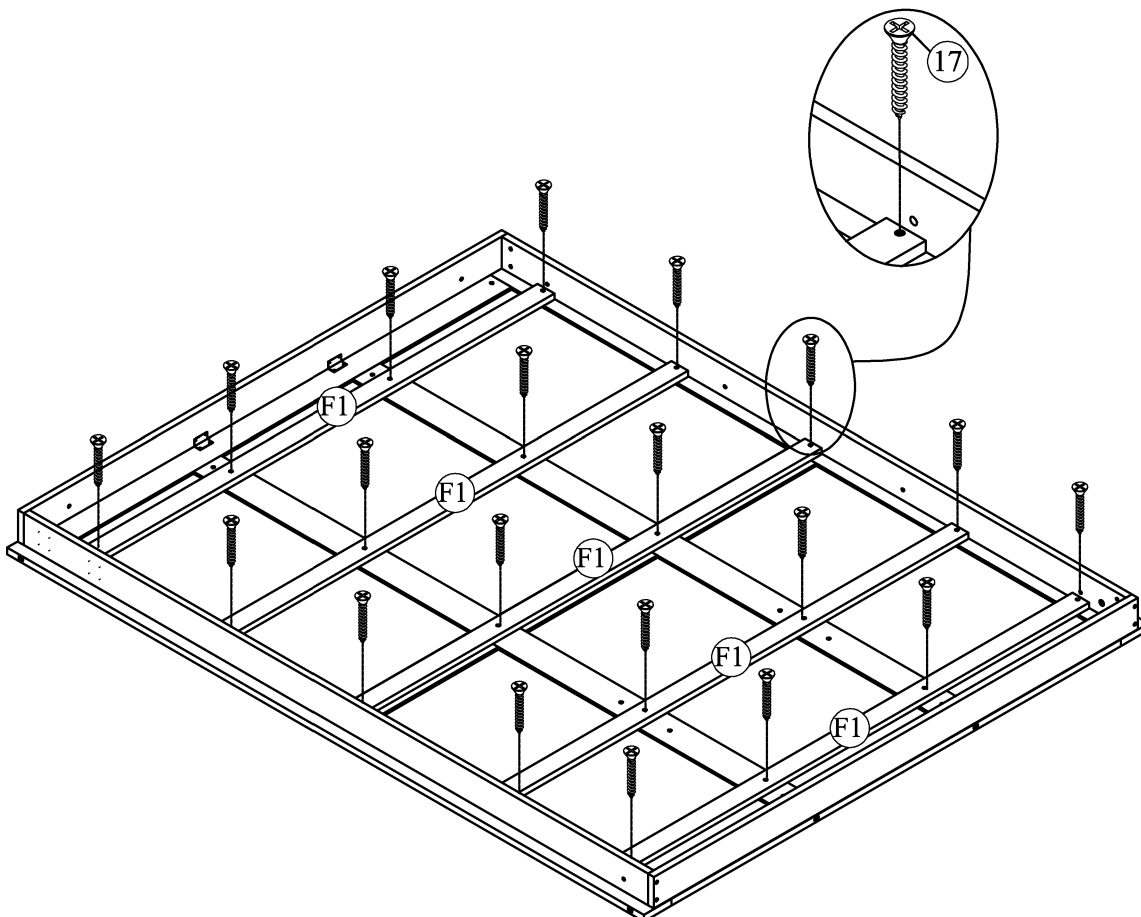
15	14
	
1(pc)	1(pc)



37/51

STEP41 : Following below illustration.

17

20(pcs)



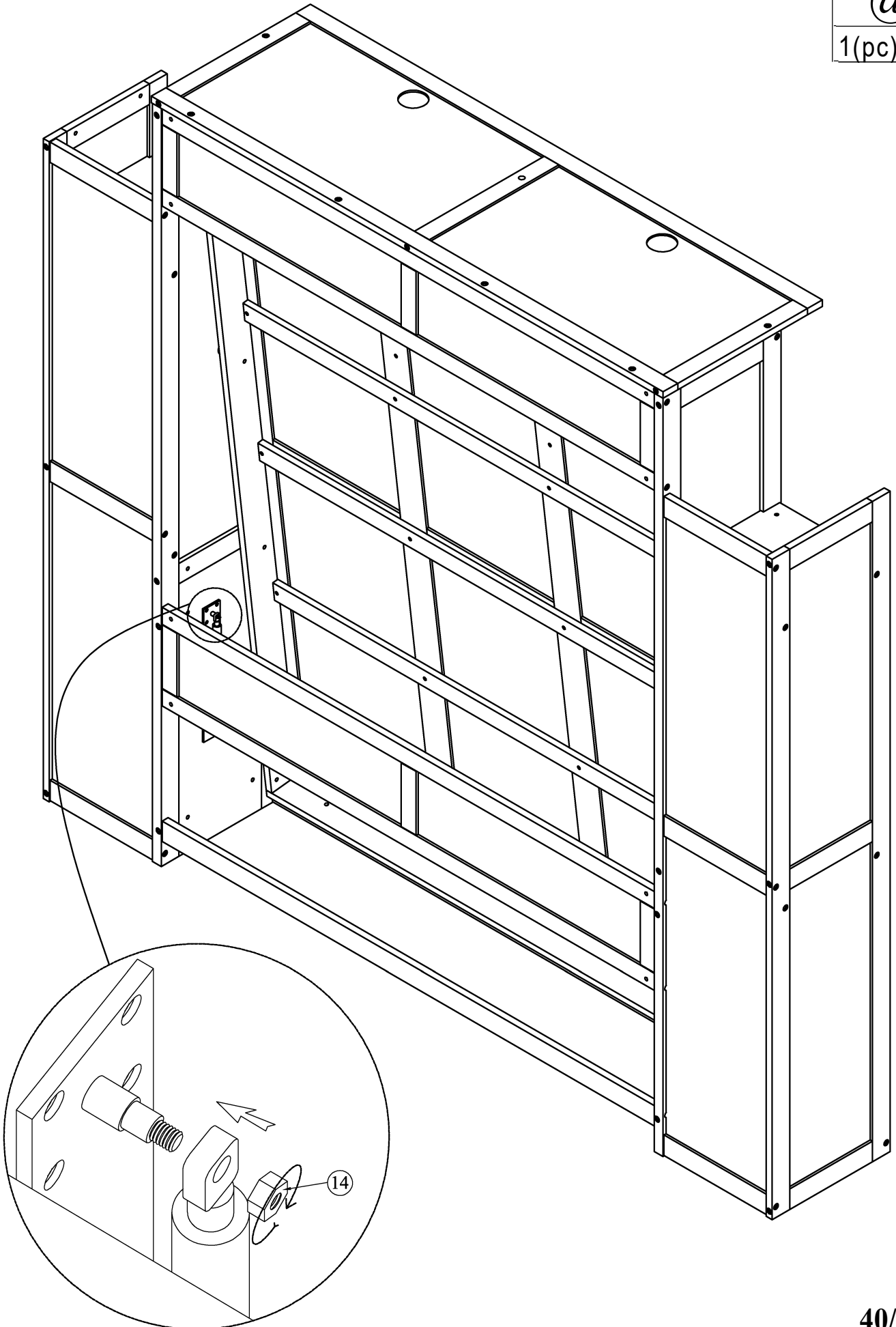
38/51

STEP 43 : Following below illustration.

14

@

1(pc)

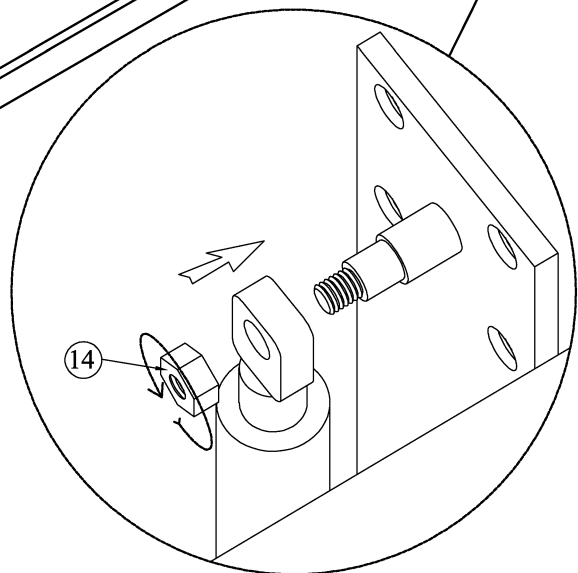
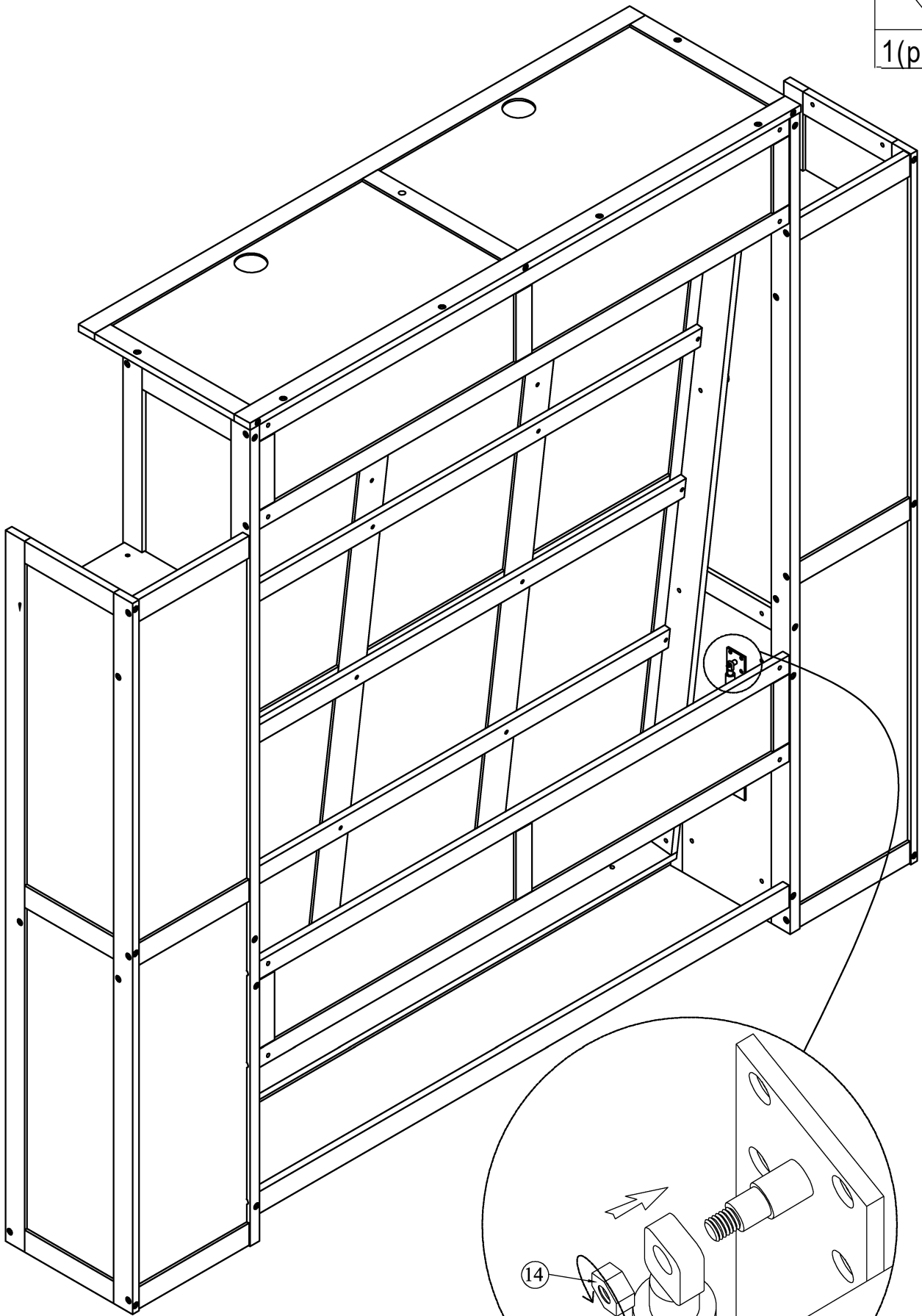


STEP 44 : Following below illustration.

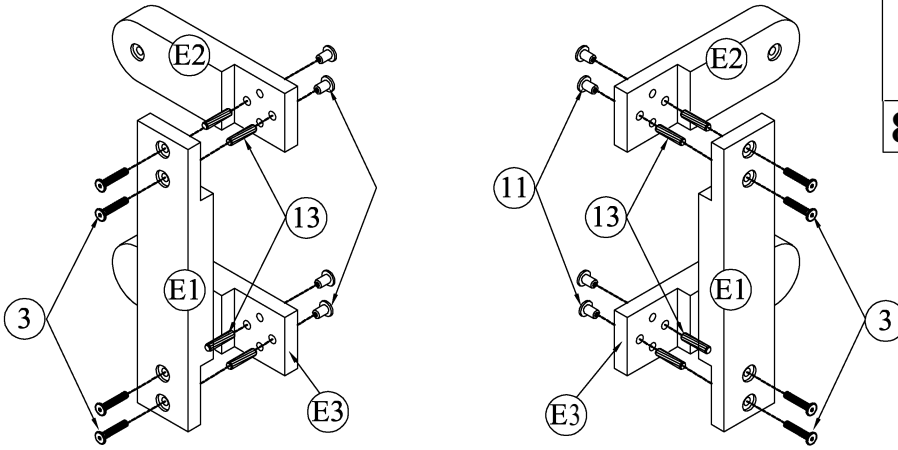
14


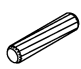


1(pc)

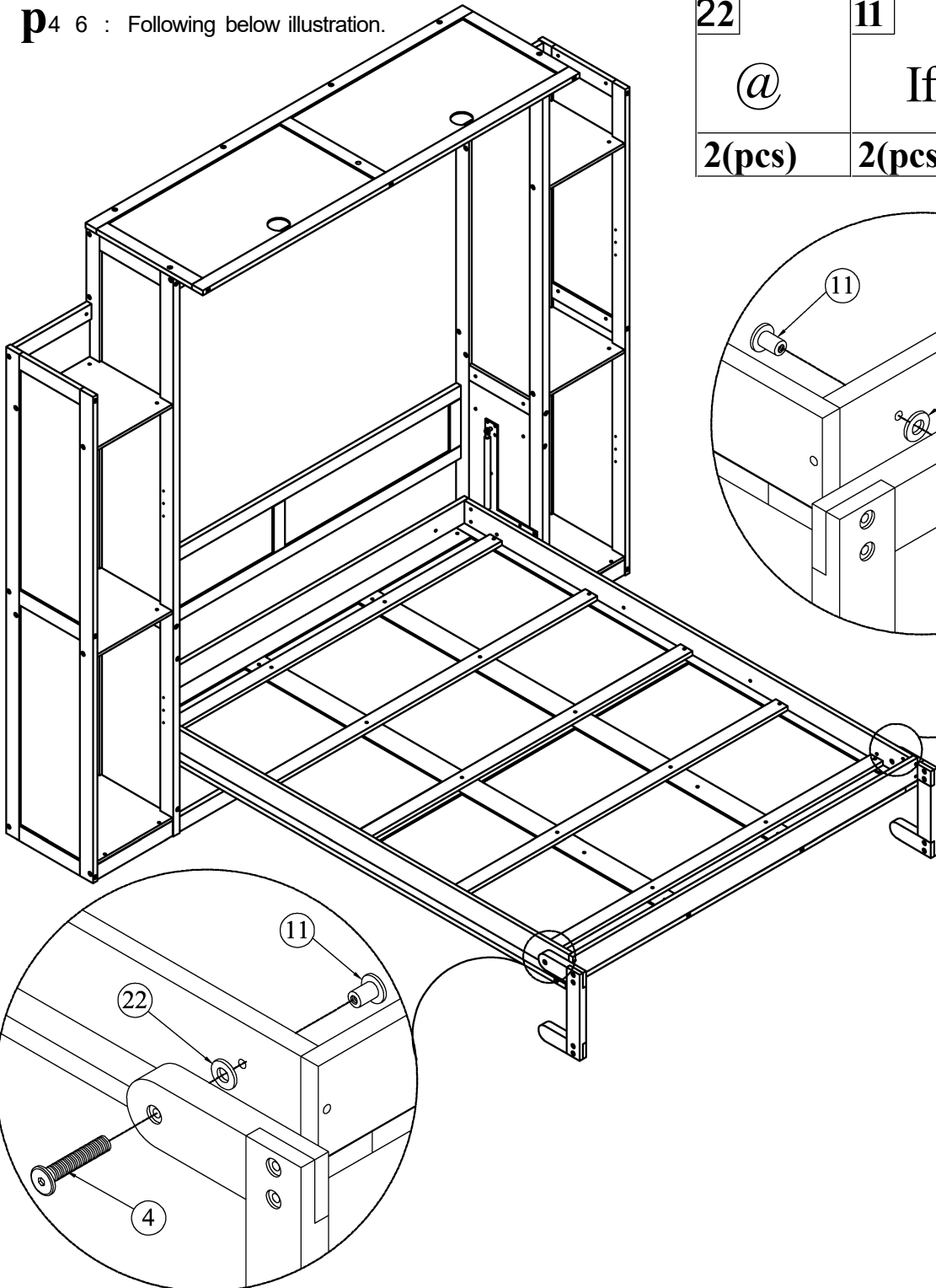



§ TE **p45**: Following below illustration.



11	3
If.,	
8(pcs)	8(pcs)
	13
	
	8(pcs)

§ TE **p46**: Following below illustration.

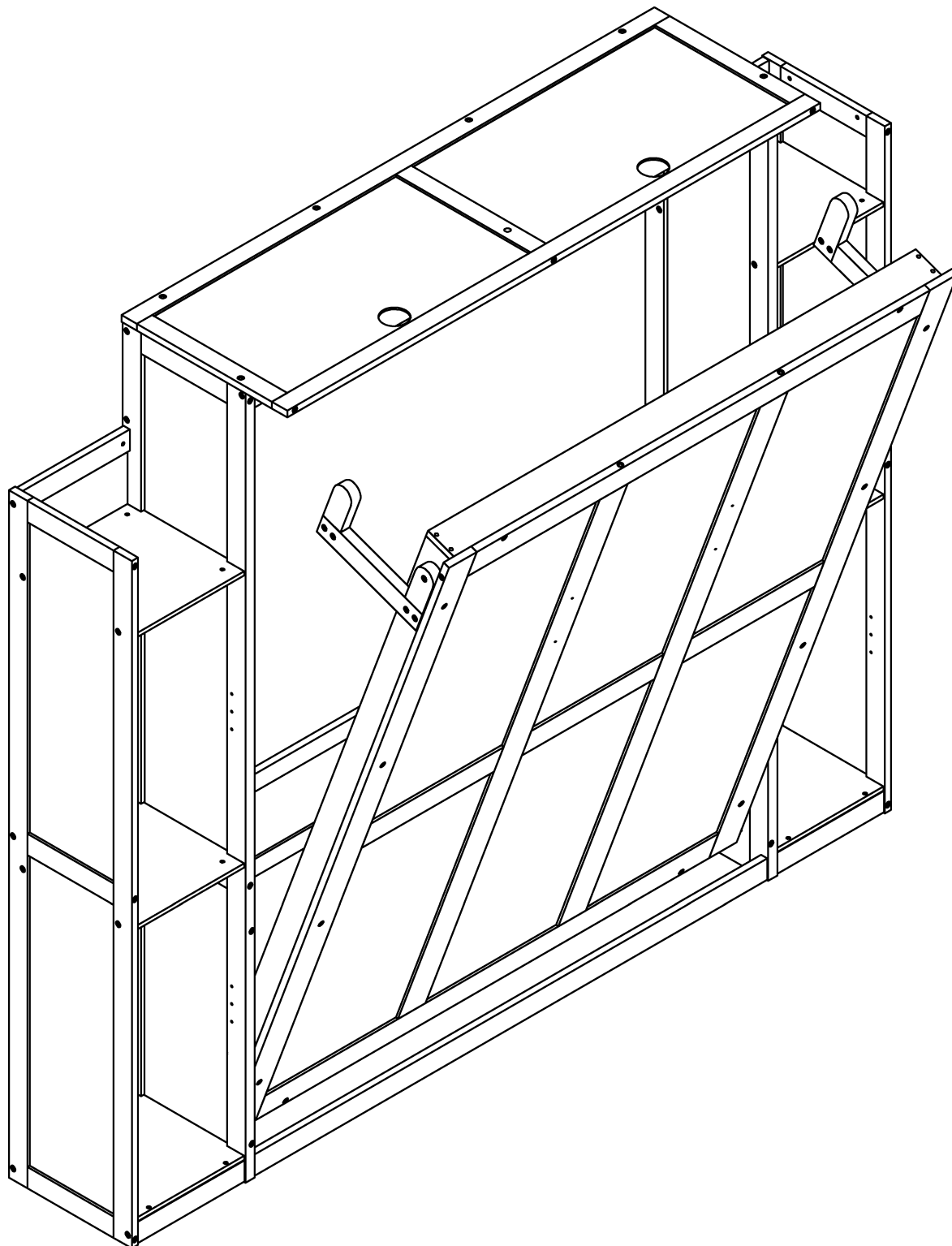


22	11	4
@	If.,	
2(pcs)	2(pcs)	2(pcs)

STEP 47: Following below illustration.

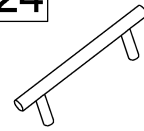


.Requires 4 people to assemble
(2 people hold the large cabinet
in place and 2 people tilt the bed
until accessories are in place)



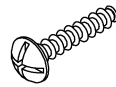
STEP 48: Following below illustration.

24

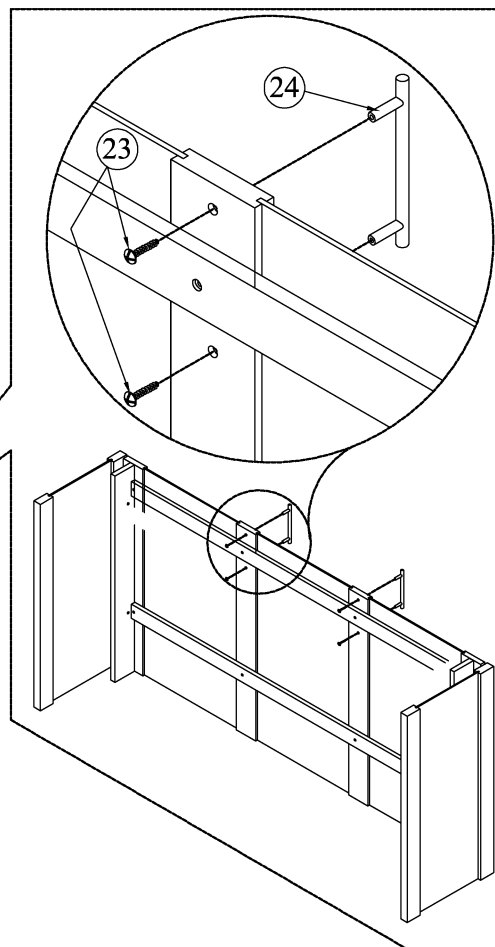
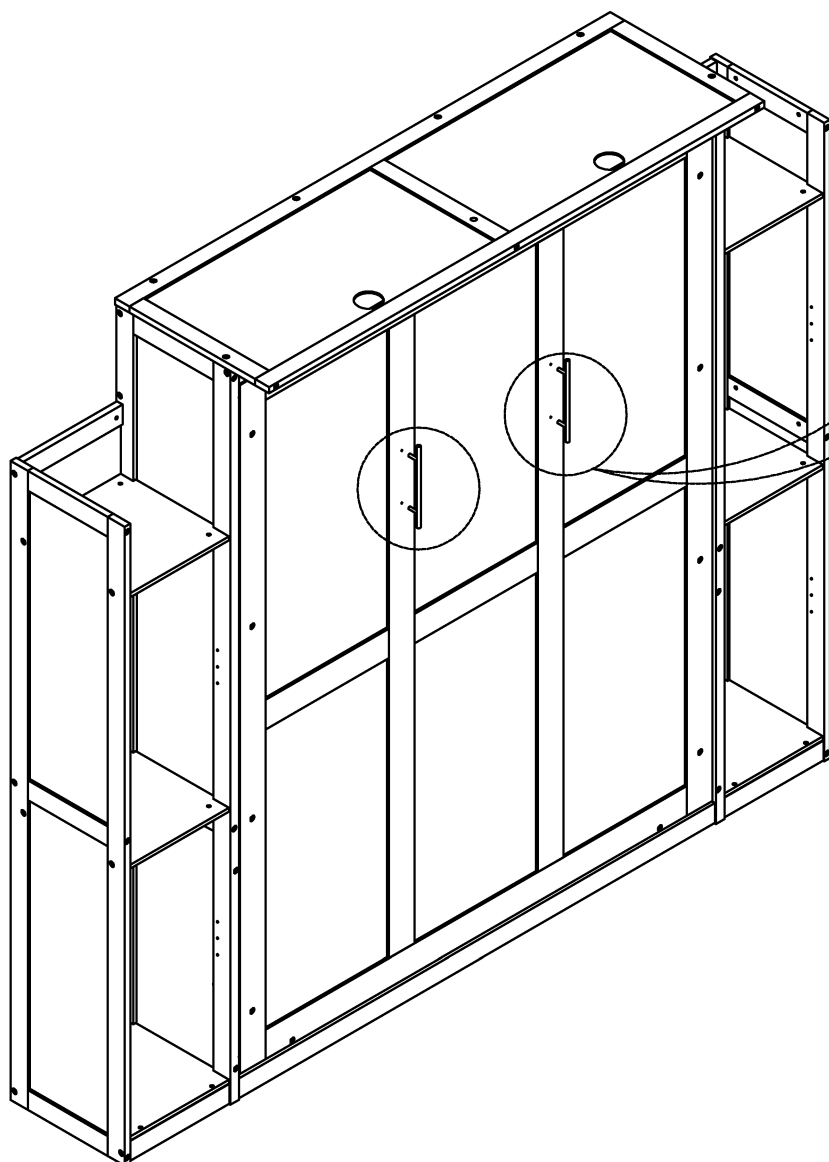


2(pcs)

23



4(pcs)



STEP 4g: Following below illustration.

27

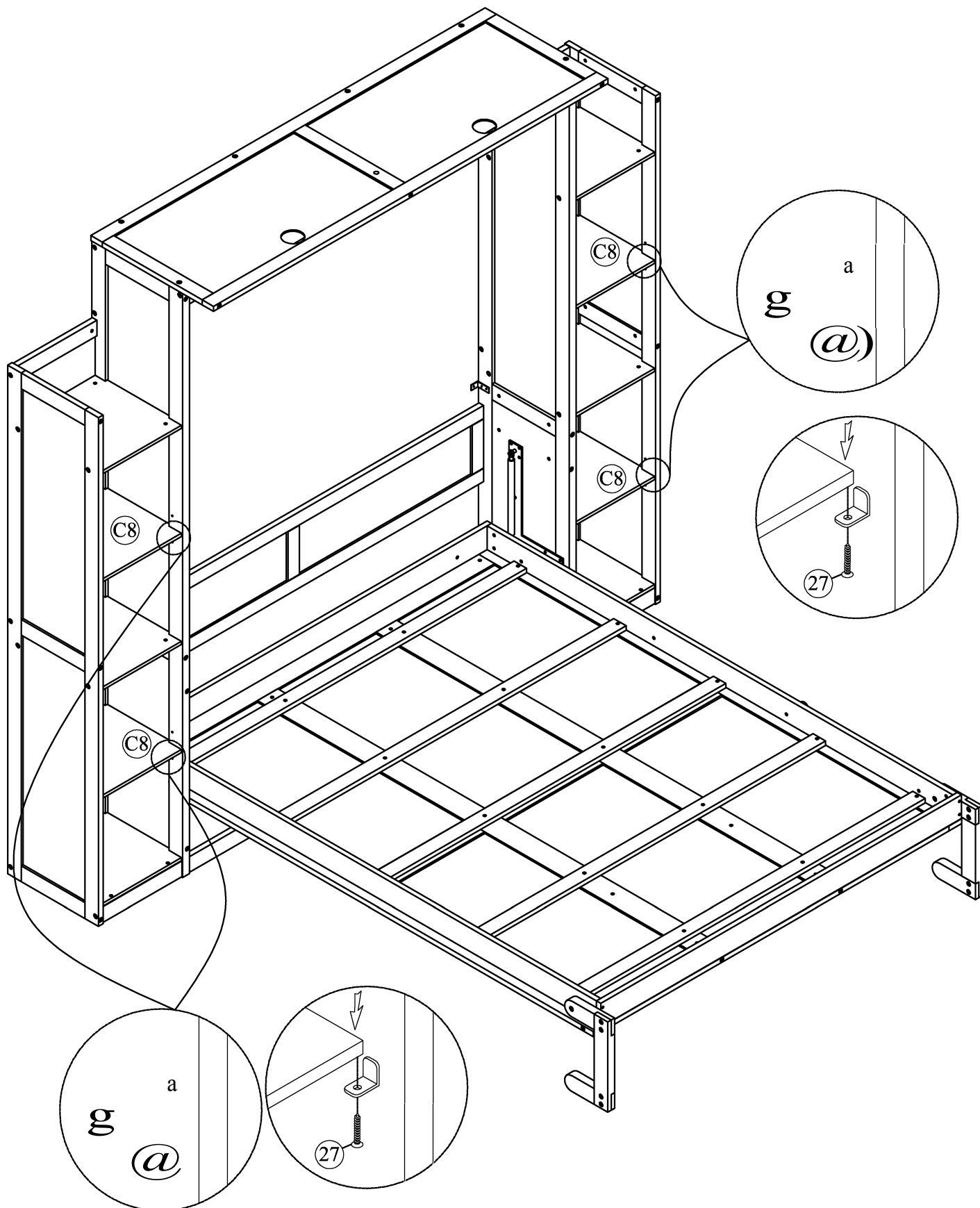


16(pcs)

25



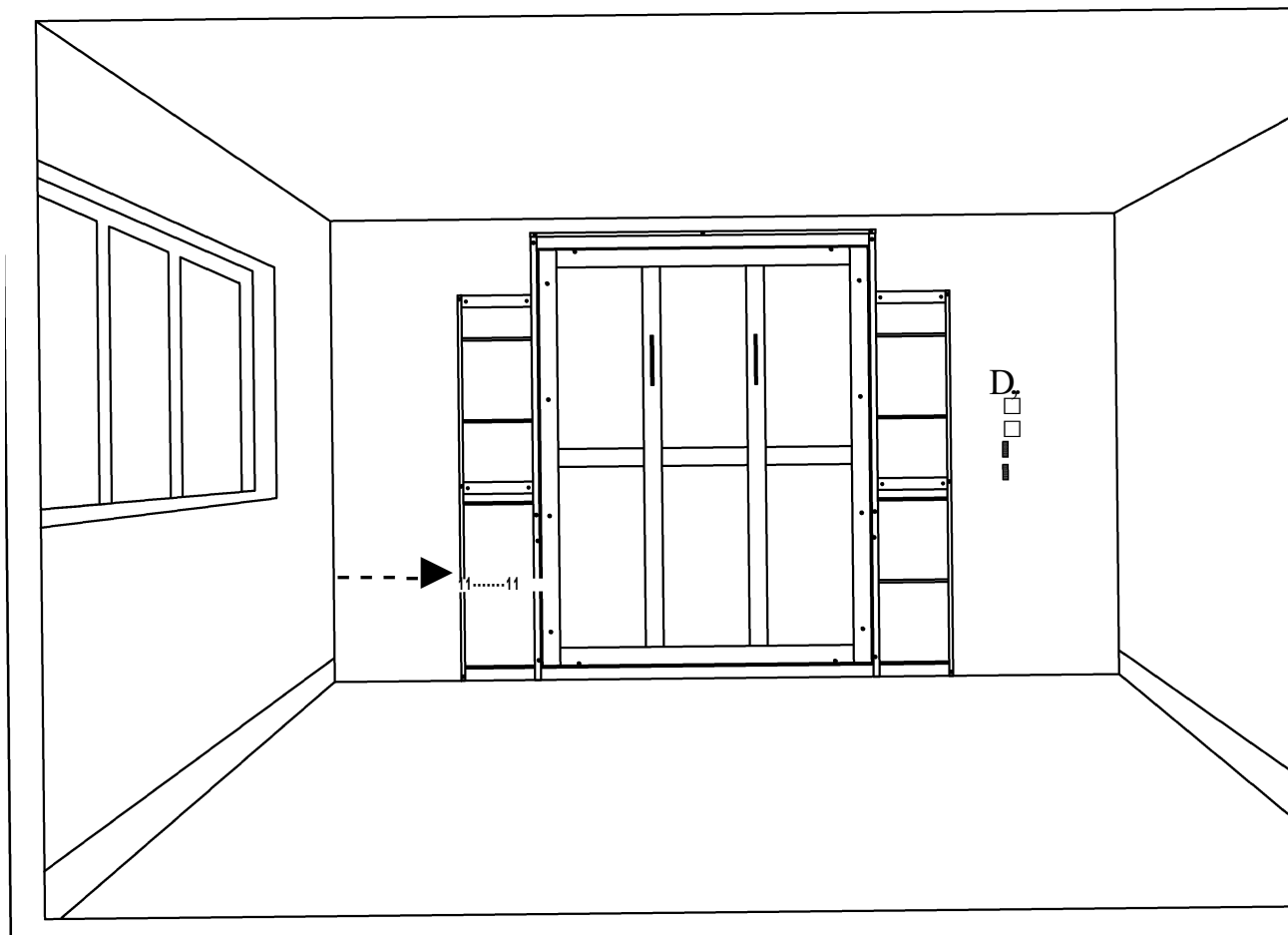
16(pcs)



1- Determine the position of the bed in the room.

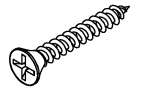


2- Put the bed back in its place. Please keep it vertical and horizontal.



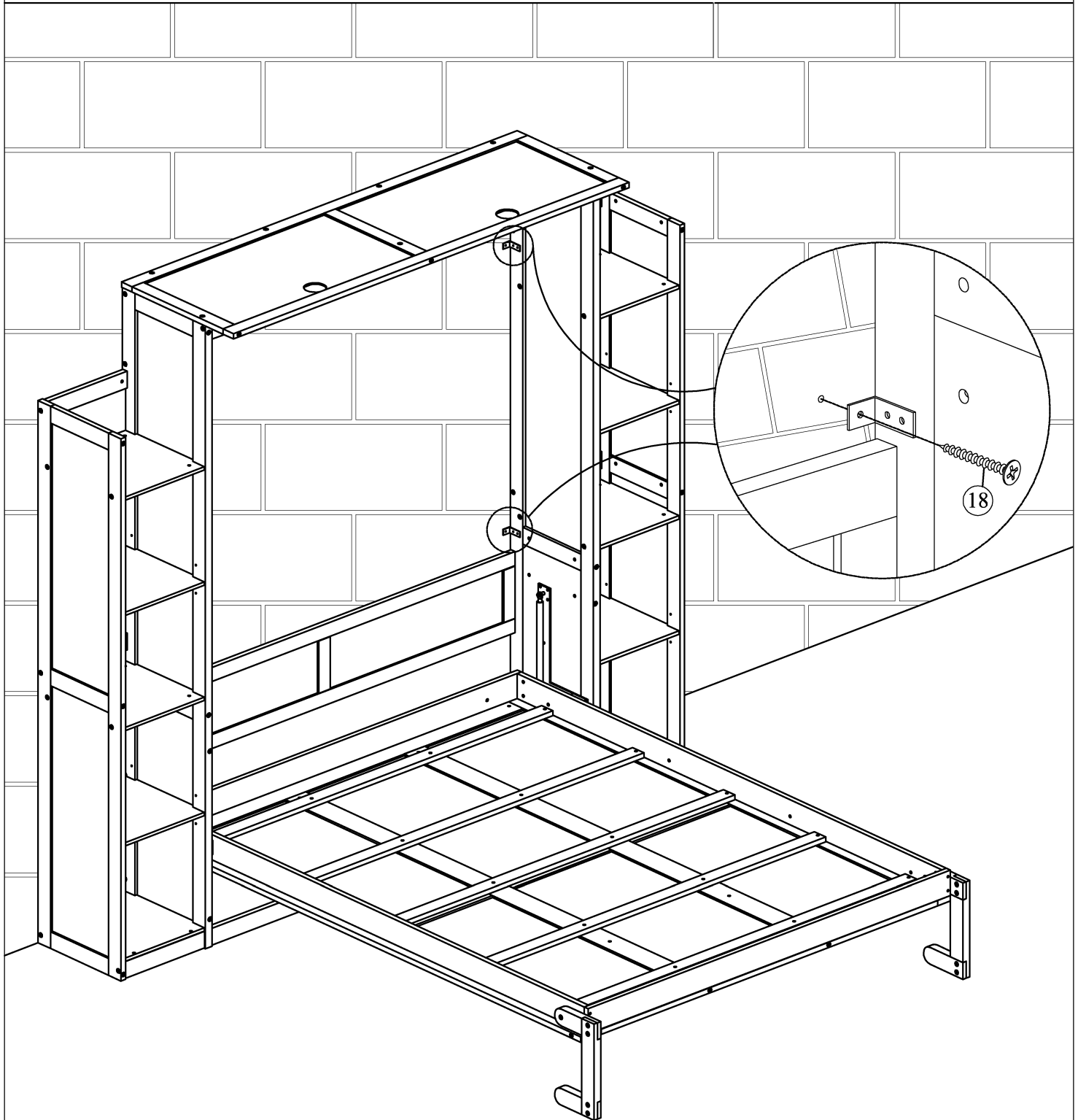
STEP 5Q: Following below illustration.

18



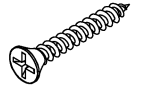
2(pcs)

iiiiiiiiiiiiii
ii
Requires 4 people to assemble
(2 people hold the large cabinet
in place and 2 people tilt the bed
until accessories are in place)

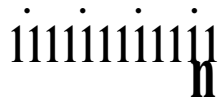


STEP 51 : Following below illustration.

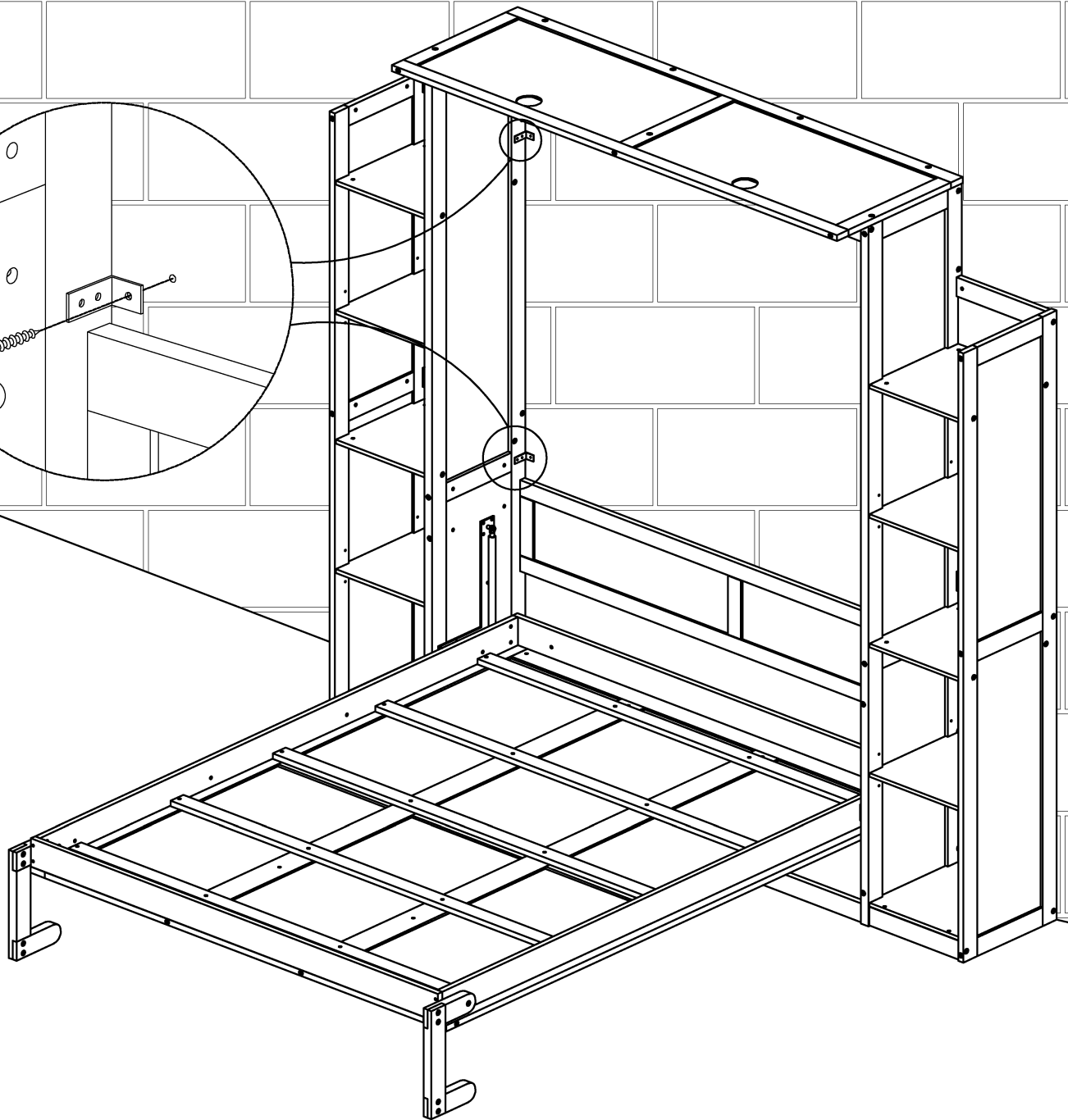
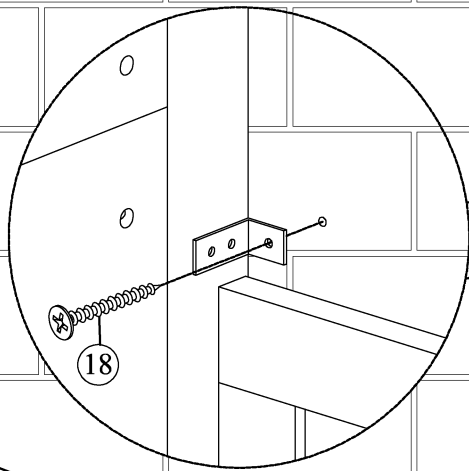
18



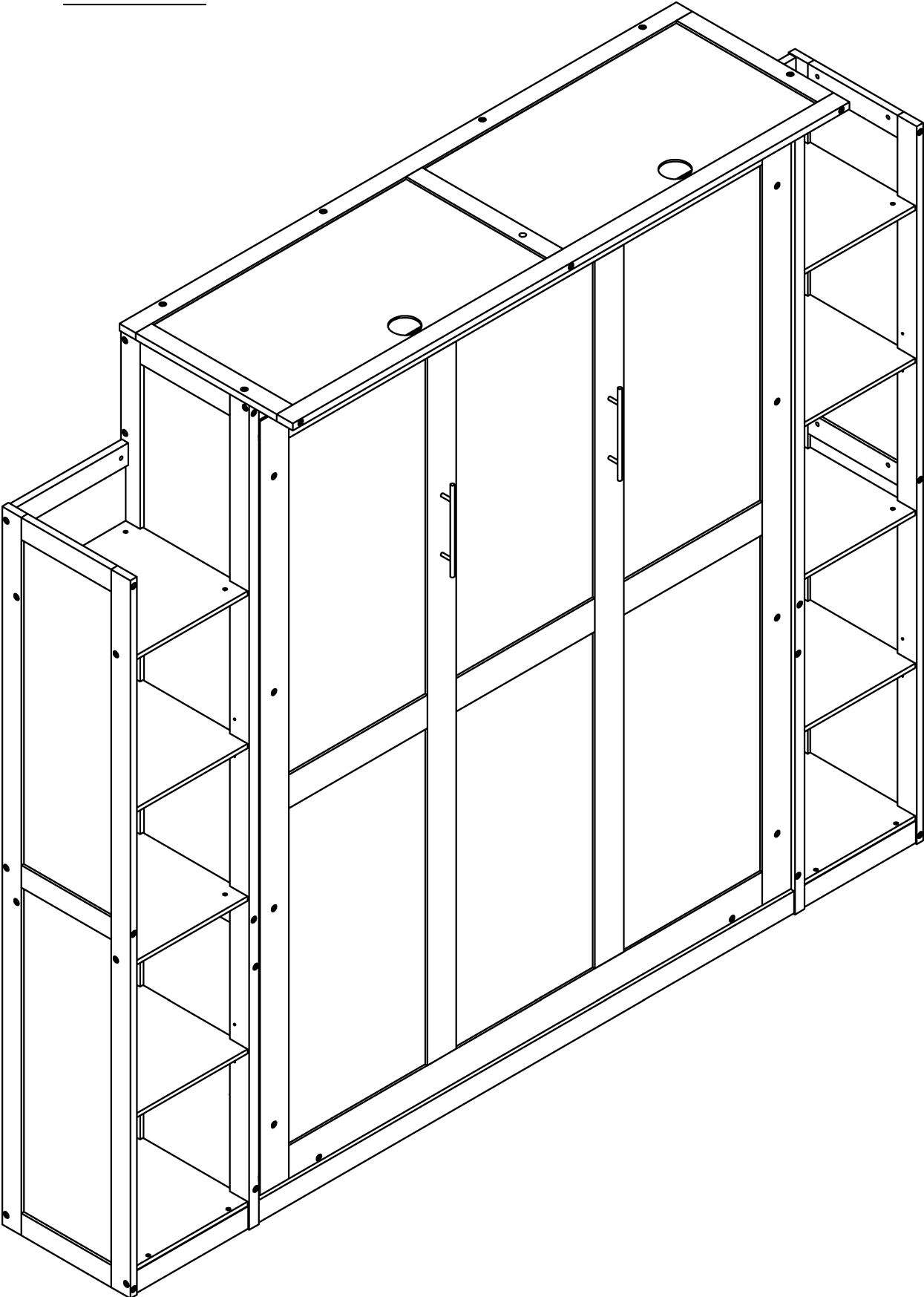
2(pcs)



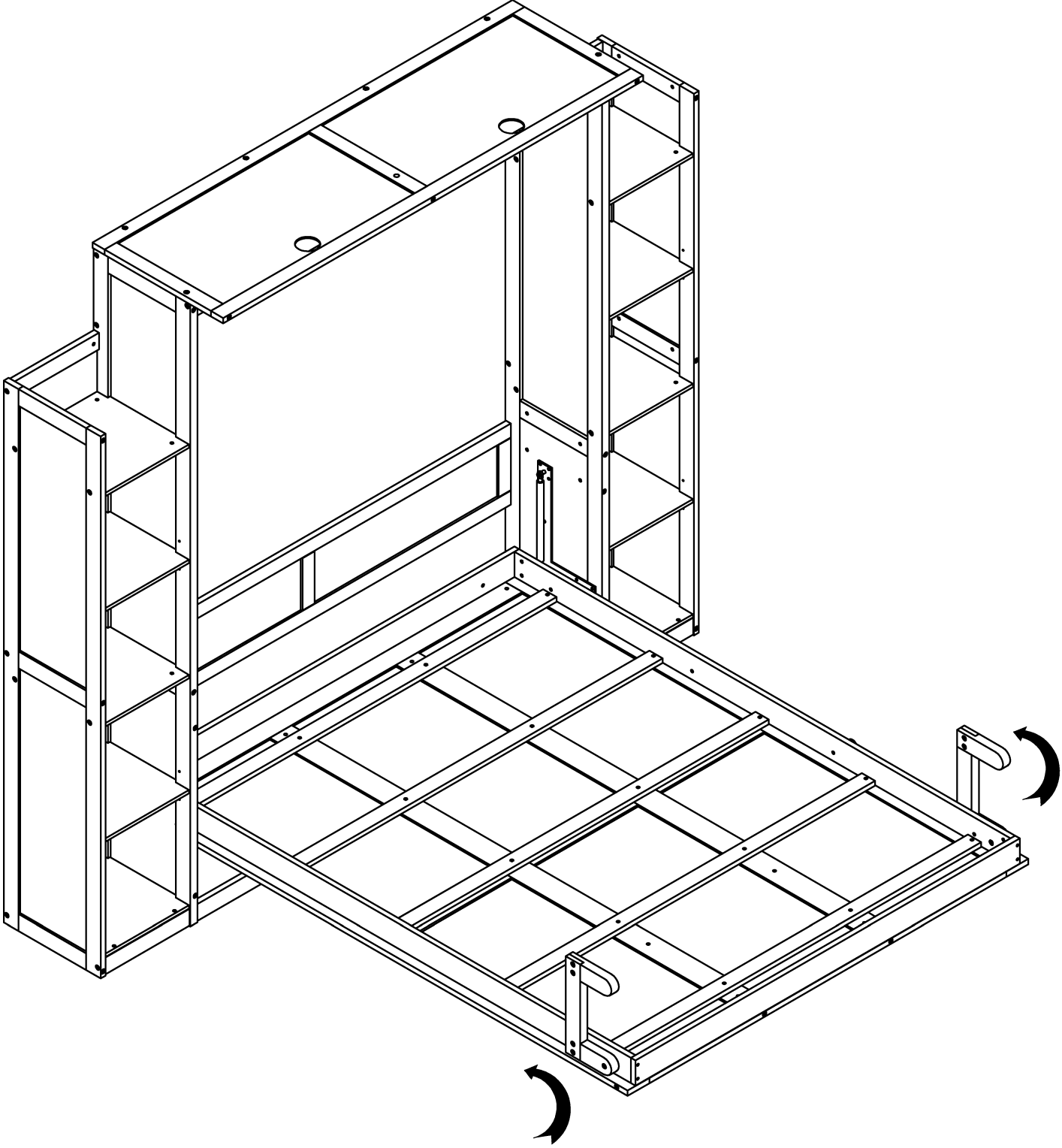
.Requires 4 people to assemble
(2 people hold the large cabinet
in place and 2 people tilt the bed
until accessories are in place)



OPTION 2



STEP 1: Following below illustration.



STEP2: Following below illustration.

