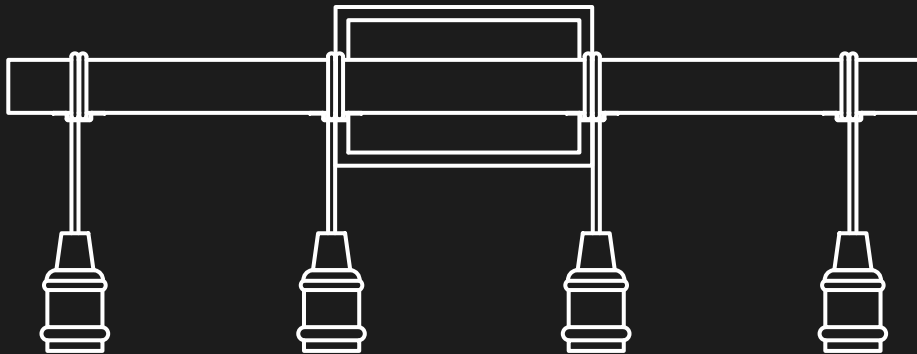


4 Light Farmhouse Wall Lamp

Installation Manual



Thanks for purchasing our light fixture. Please retain the package and its inner protective materials for one month or longer. Read user manual before installation and keep it for future reference.

WARRANTY

These instructions are suggested installation procedures only. Please be reminded that we assume no liabilities occurred from improper installation. All of our products are warranted against defects in materials and workmanship for a period of one year from the date of purchasing. We provide 1 month hassle-free full refund, 6 month money back or free replacement and 12 month limited warranty.

WARNING

- We suggest installation by a licensed electrician.
- Before you start, NEVER attempt any work without shutting off the electricity until the work is done.
- Mounting surface should be clean, dry, flat, strong enough and 1/4" larger than the canopy on all side. Any gaps between the mounting surface and canopy exceeding 3/16" should be corrected as required.
- Make sure that the ceiling or wall can stand the weight of the lamp before assembling.
- Shut off electricity before replacing bulb.
- Do not touch the bulb or lamp shade when the lighting fixture is working.
- The safety instructions appearing in this manual are not meant to cover all possible conditions that may occur. It must be understood that common sense, caution and care must be used with any electrical products.

CLEANING

- To clean, wipe fixture with a soft cloth.
- Do not use abrasive materials such as scouring pads or powders, steel wool or abrasive paper.

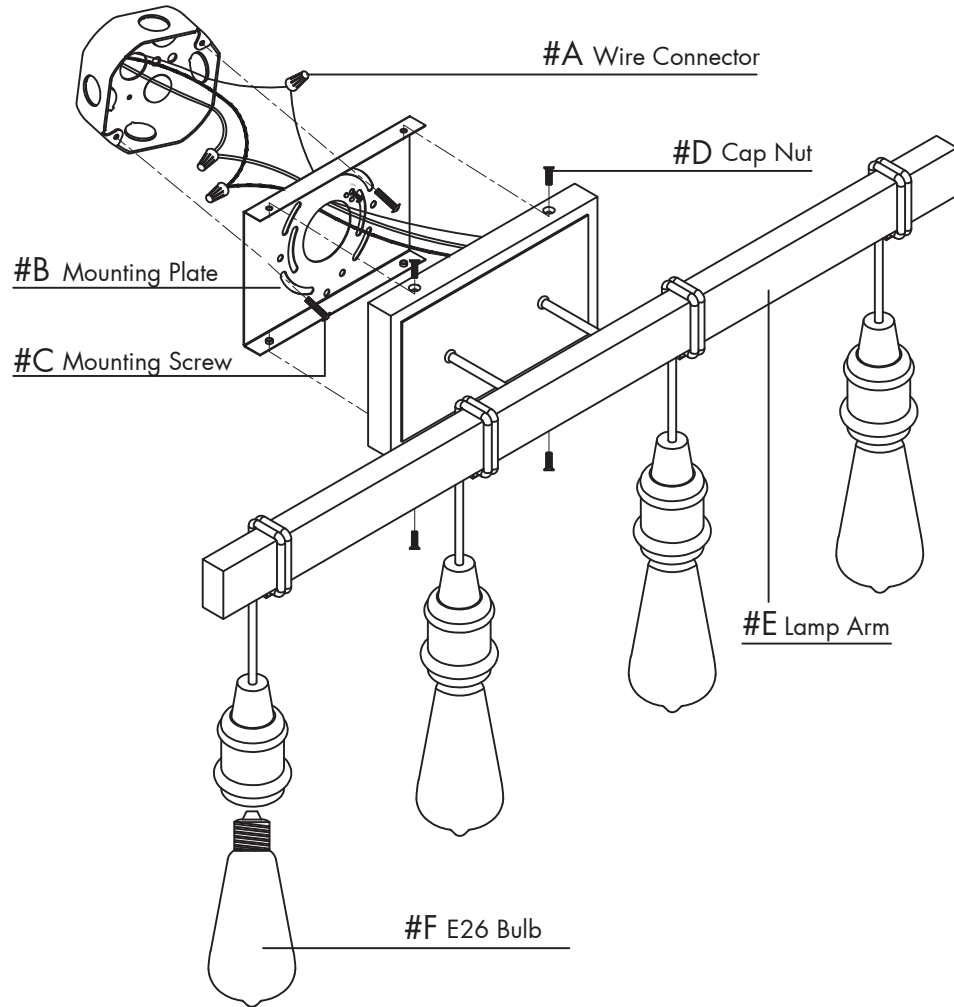
SPECIFICATION

| | |
|-------------------|-------------------|
| Voltage: | 120V |
| Power: | max. 60W per bulb |
| Power Source: | hardwired |
| Number of Lights: | 4 |
| Bulb Type: | E26 |
| Certification: | UL listed |

INSTALLATION PROCEDURES

1 Before beginning the installation, carefully unpack and identify all parts. (See Fig.1)

Fig.1

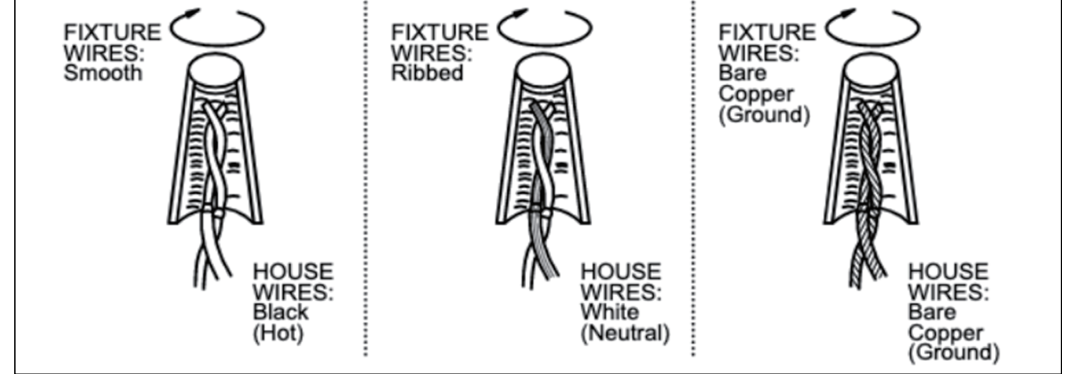


2 Please turn off power at junction box to avoid possible electric shock.

3 Secure mounting plate to junction box with mounting screws.

4 Identify color coding of fixture wires. (See Fig. 2)

Fig.2



5 Connect the smooth wire with marking printed or molded from the fixture with the black wire from junction box by wire nut, and wrap the wire nut with electrical tape for a more secure connection.

6 Connect the ribbed wire from the fixture with the white wire from the outlet box by wire nut, and wrap the wire nut with electrical tape for a more secure connection.

7 Connect the fixture to a suitable ground in accordance to local electric codes.

8 Tuck wires inside junction box.

9 Attach canopy to wall and secure in place with cap nut.

10 Install bulbs referring to fixture labels for maximum wattage. Screw each glass shade in place.