

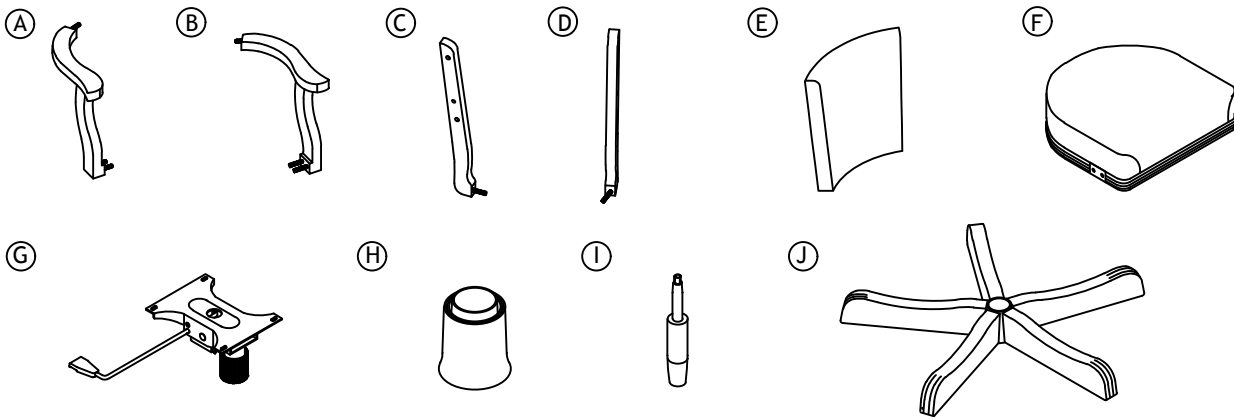
ASSEMBLY INSTRUCTIONS

SWIVEL GAME CHAIR

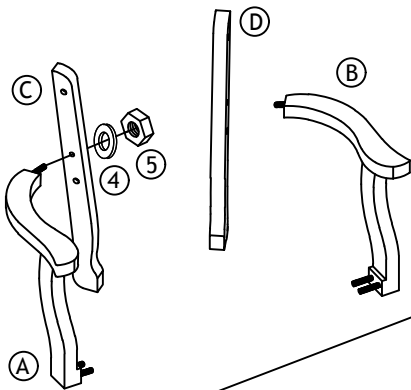
Read this instruction carefully. Refer hardware and furniture parts list for guidance. Be sure all parts are complete, before assembling. Place all wooden furniture part on a clean and flat soft surface to prevent scratches. Refer steps provided as assembling guide

PART LIST		
ITEM	DESCRIPTION	QTY
A	Right chair arm	1PC
B	Left chair arm	1PC
C	Right back support bar	1PC
D	Left back support bar	1PC
E	Back Cushion	1PC
F	Seat	1PC
G	Seat Plate	1PC
H	Plastic Cover	1PC
I	Supporting Bar	1PC
J	Base	1PC

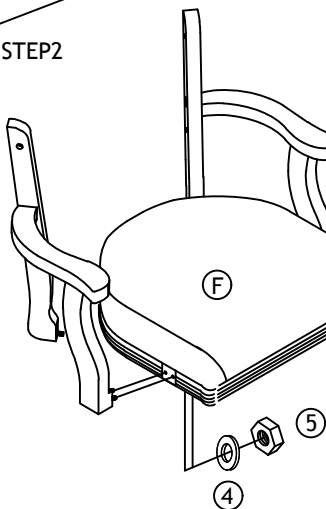
HARDWARE LIST		
ITEM	DESCRIPTION	QTY
1	Screw (1/4"*40MM)	4PCS
2	Screw (1/4"*25MM)	4PCS
3	Metal Washers (Dia 12mm)	4PCS
4	Metal Washers (Dia 16mm)	12PCS
5	Hex Nuts	8PCS
6	Wood Plugs	4PCS
7	Caster	5PCS
8	Allen Wrench	1PC



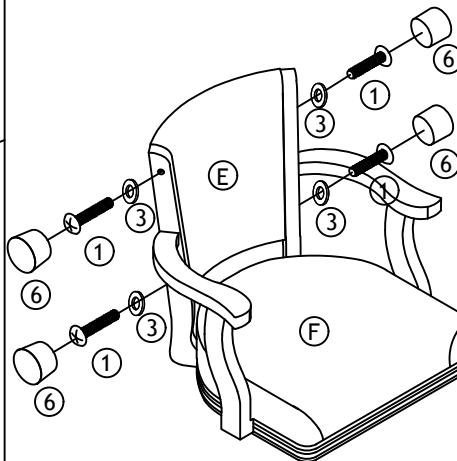
STEP1



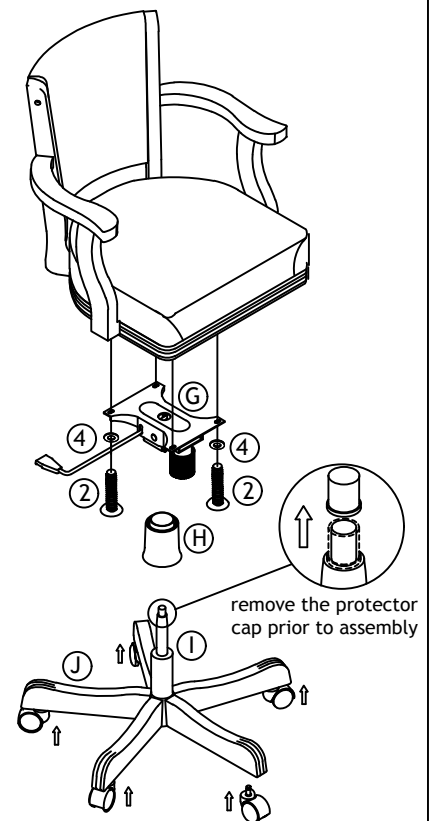
STEP2



STEP3



STEP4



COMPLETED ASSEMBLY