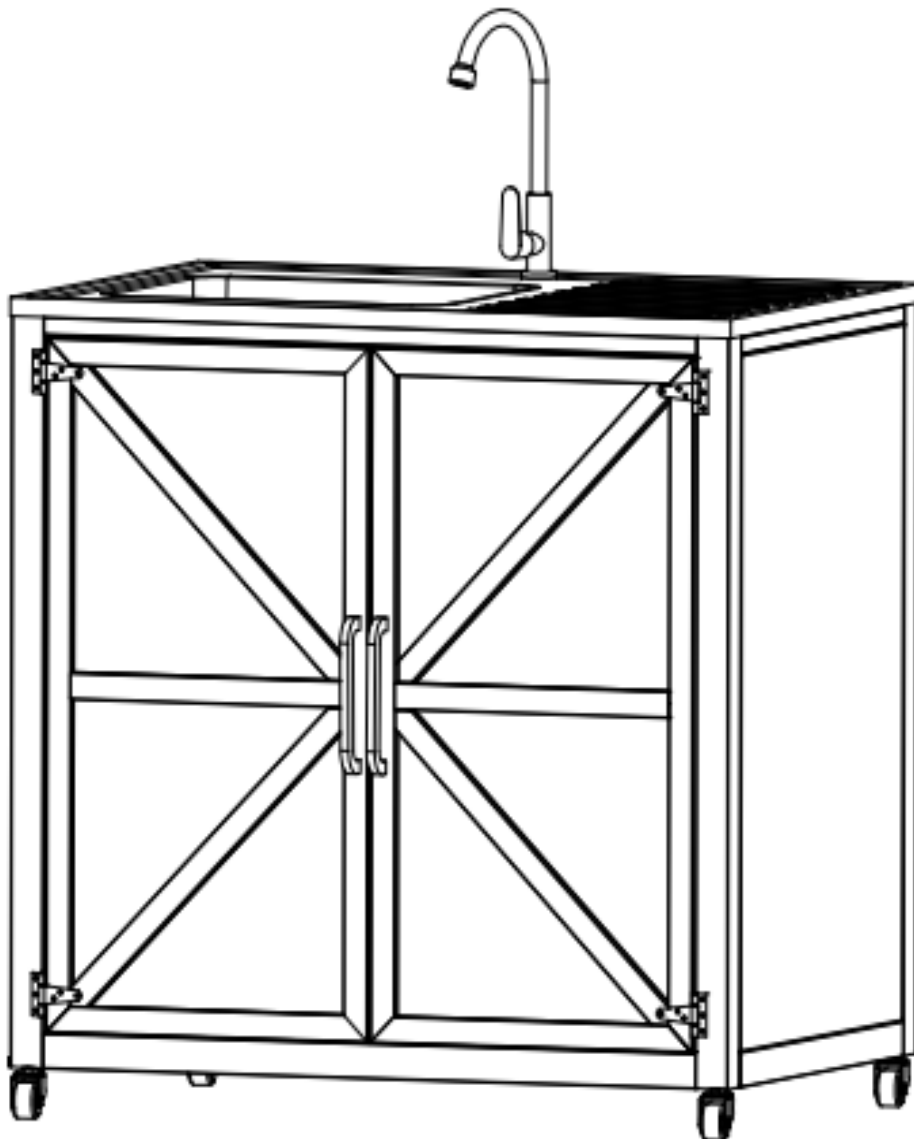


# ASSEMBLY INSTRUCTIONS

N719P244793B










Mobile washbasin



# Assembly Instructions

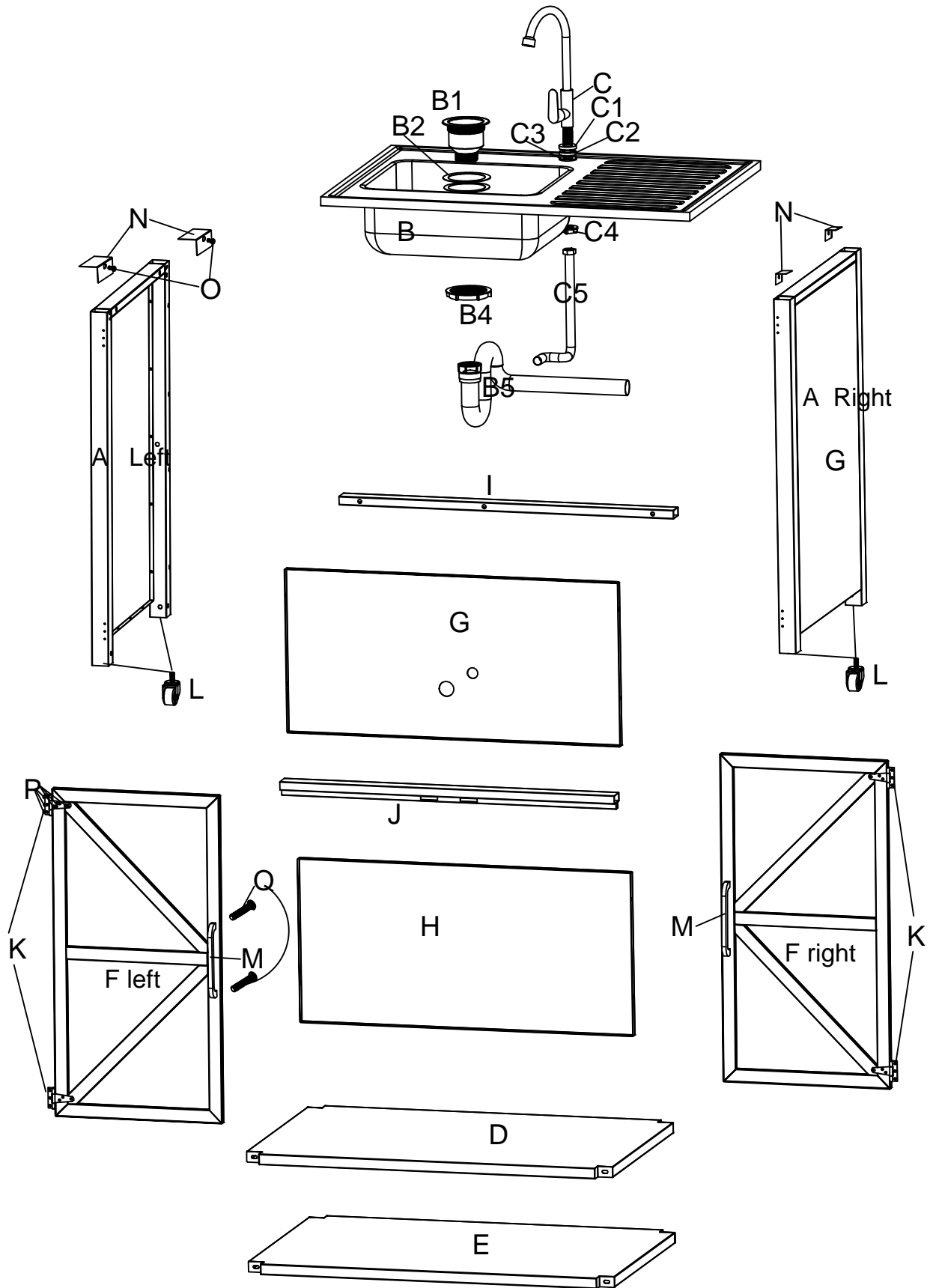
**Caution : You must read this before you proceed**

## Care & Maintenance

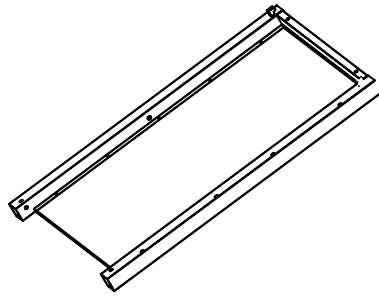
- ⊘  ● Not for commercial use. For residential use only.
- ⊘  ● Do not put hot items directly on furniture surface.
- ⊘  ● Do not clean furniture with harsh cleansers or polish.
- ✓  ● To obtain the longest lifespan of your outdoor products, minimizing exposure to direct sunlight is recommended.
- ⊘  ● Children should not climb or jump on the furniture.
- ⊘  ● Do not write on furniture without a padded barrier to protect the surface.
- ✓  ● To obtain the longest lifespan of your outdoor products, avoid extended and lengthy exposure to rain, snow, and direct sunshine. Whenever possible cover the product and /or place under patio or awnings.
- ⊘  ● Stains may be removed with mild soap solution and damp cloth.
- ✓  ● Dust and pick-up spills using a clean, non-colored, lint-free cloth.

Please look in Mobile washbasin for hardware packs and legs.  
Sets often ship in multiple boxes and may arrive a day or two apart.

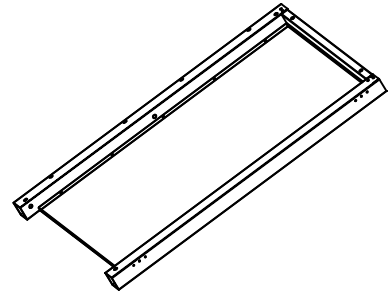
# Assembly Instructions



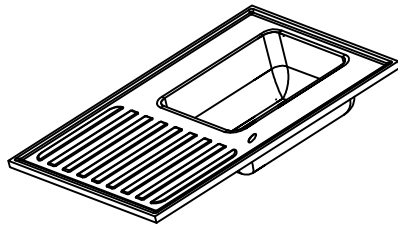
# Parts Lists



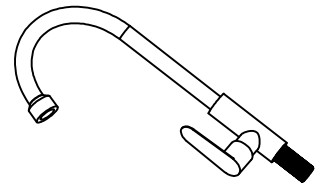
(A) Left x1



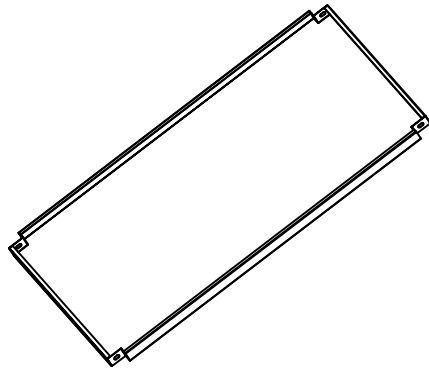
(A) Right x1



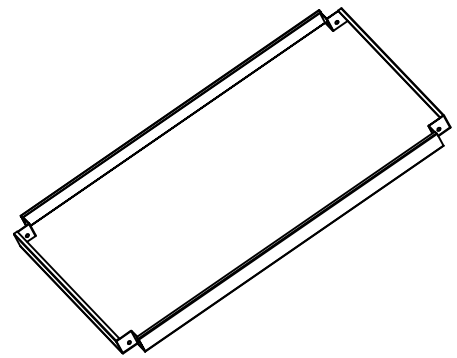
(B) x1



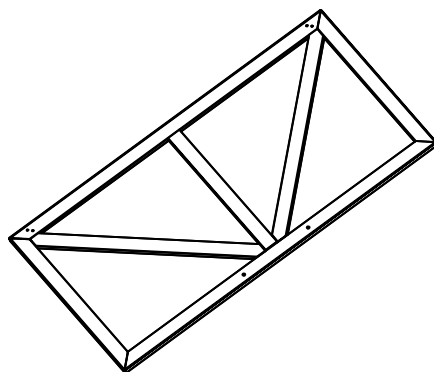
(C) x1



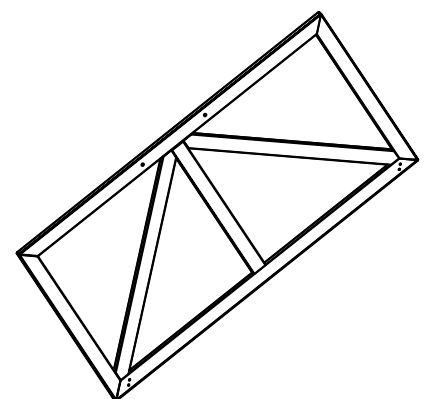
(D) x1



(E) x1

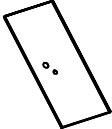
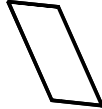
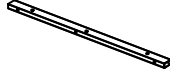

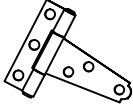
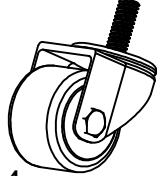
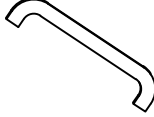
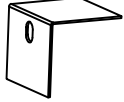

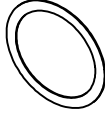
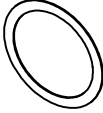




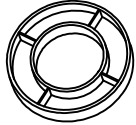

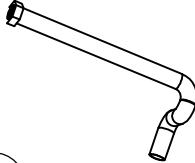


(F) left x1




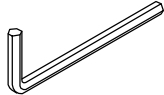


(F) right x1

# Parts Lists

 G x1	 H x1	 I x1	 J x1
 K x4	 L x4	 M x2	 N x4
 B1 x1	 B2 x1	 B3 x1	 B4 x1
 B5 x1	 C1 x1	 C2 x1	 C3 x1
 C4x1	 C5x1		

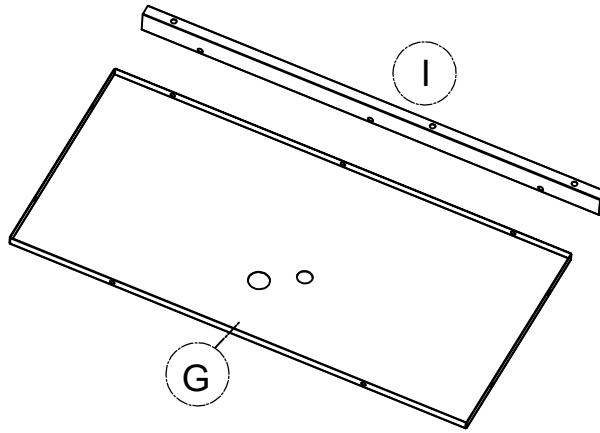
## Hardware

 M6x10mm O x35	 M4x10mm P x25	 M4x20mm Q x2	 6mm R x1
---	---	--	--

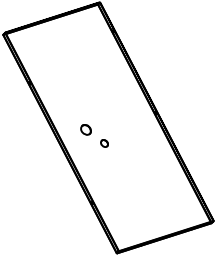
Before installing the washbasin, you should prepare the following tools for installation:  
 Ladder  
 Screwdriver  
 Allen wrench  
 Cordless drill

# Assembly Instruction

<1>



I x1



picture 1

Step 1:

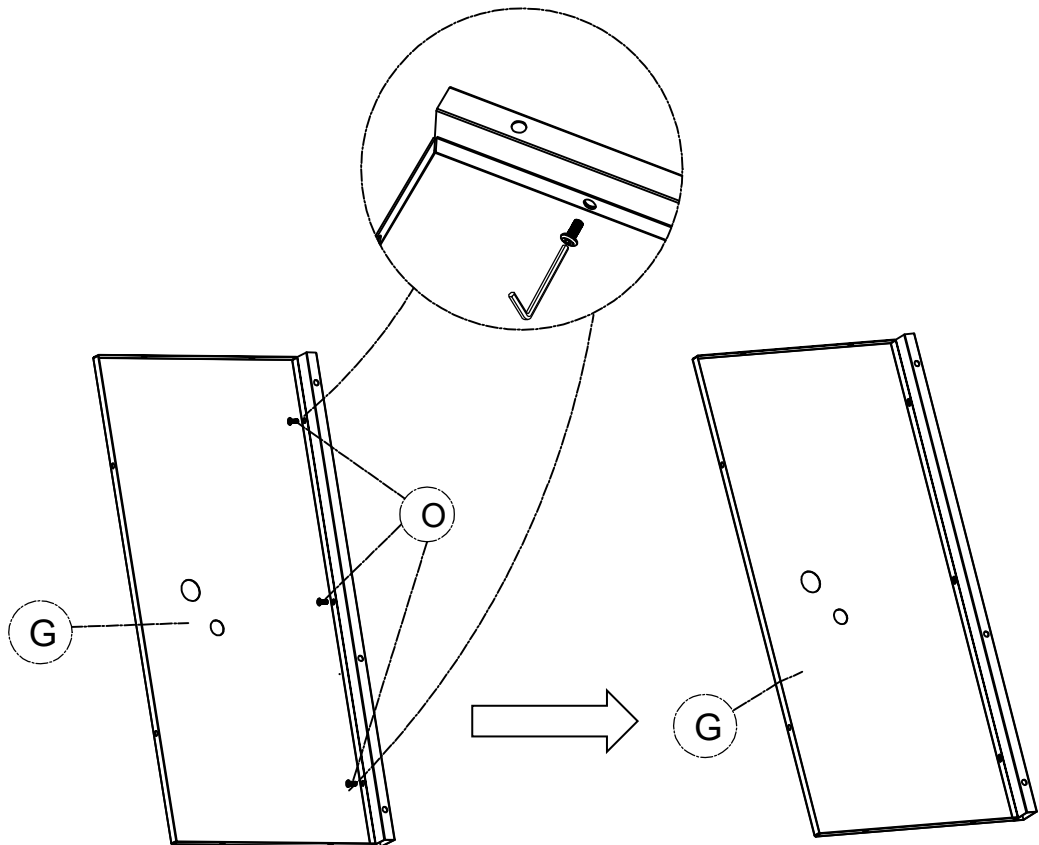
①As shown in picture1: First, put G and I together, use screw O to pass through G, connect I to G and the holes in G, and then tighten the screws, Using the allen wrench R.

Note:All the corresponding hole positions and the screws must be aligned.

G x1



O x16

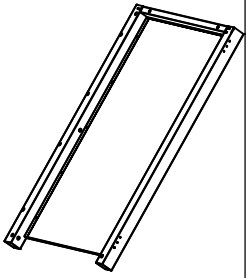


picture 2

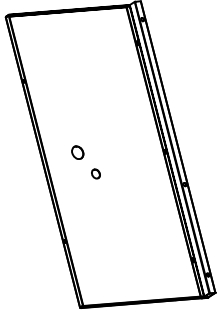
picture 3

# Assembly Instruction

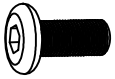
<2>



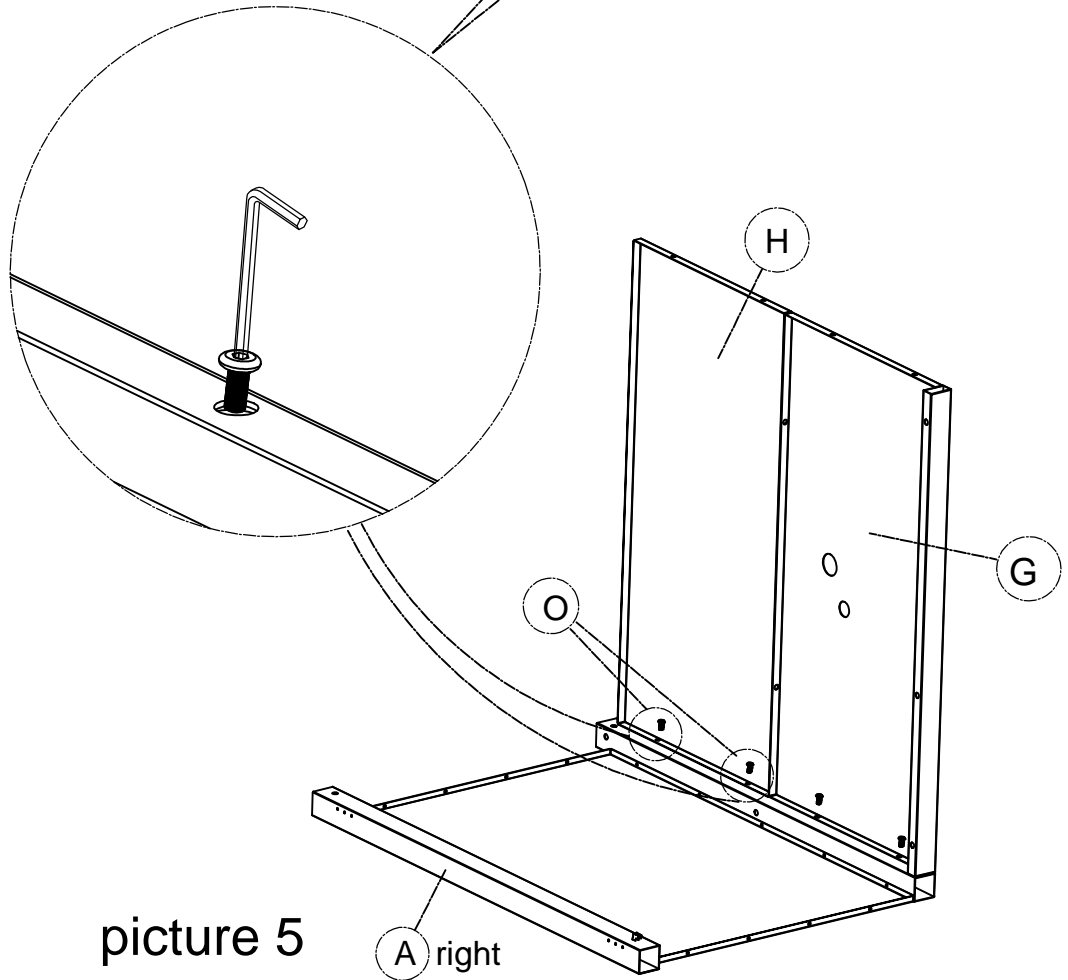
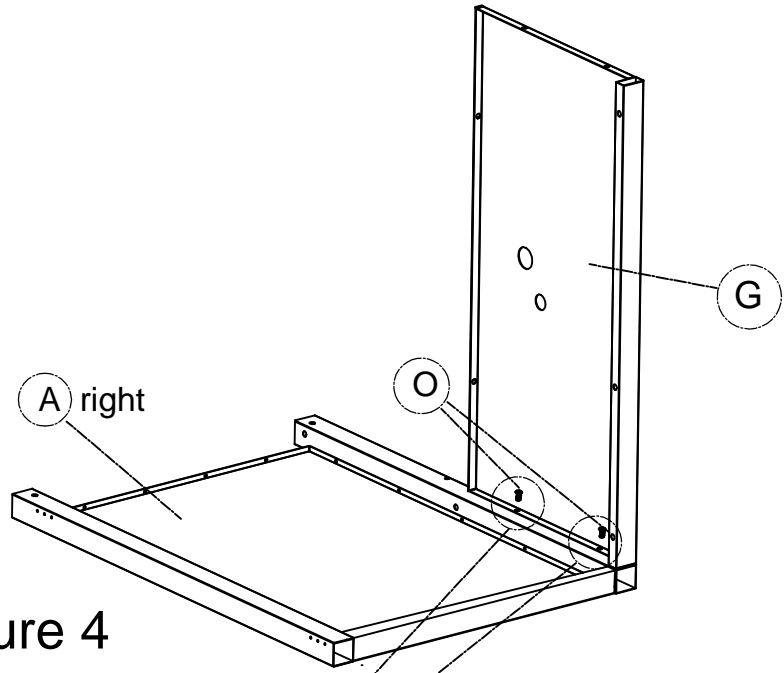
(A) Right x1



(G) x1

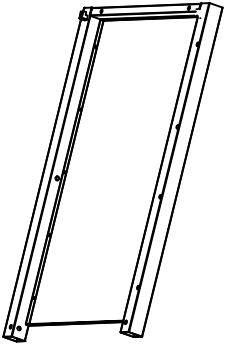


(O) x4

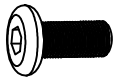


# Assembly Instruction

<3>

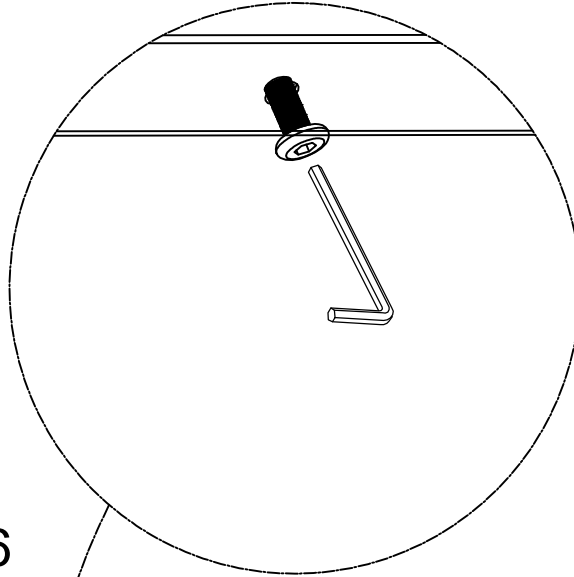


A Left x1

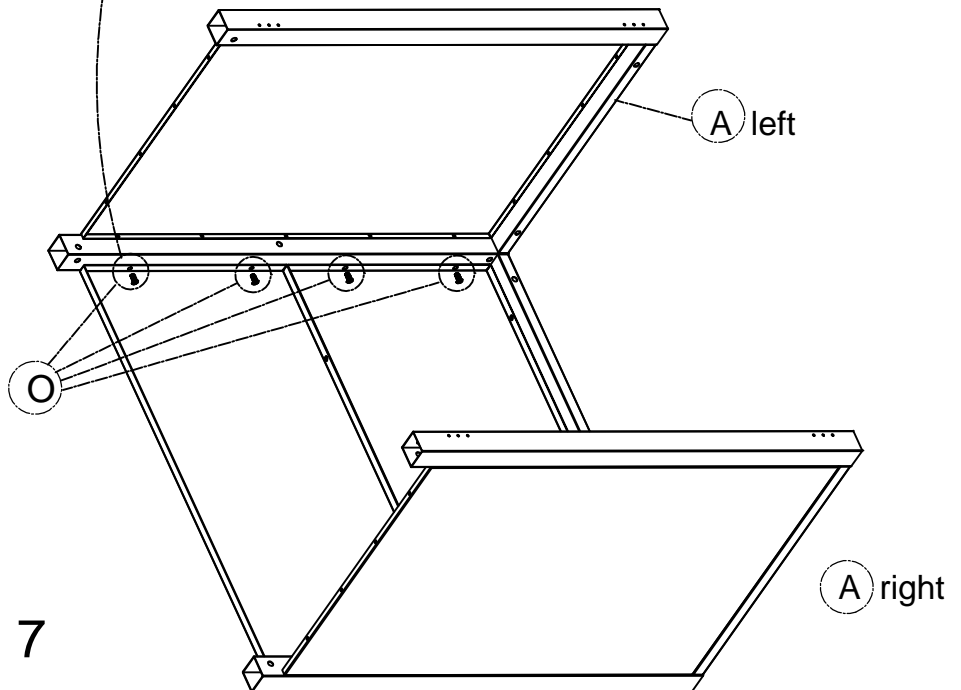


M6x10mm

O x4



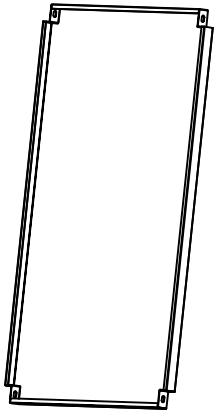
picture 6



picture 7

# Assembly Instruction

<4>

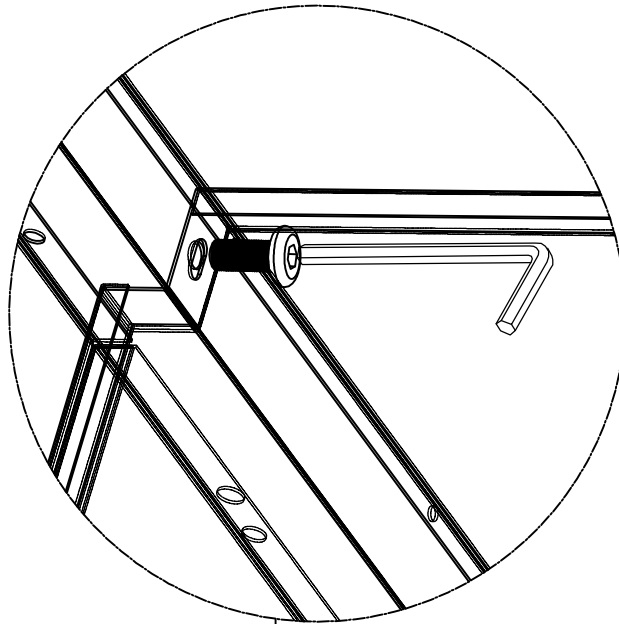


ⓓ x1



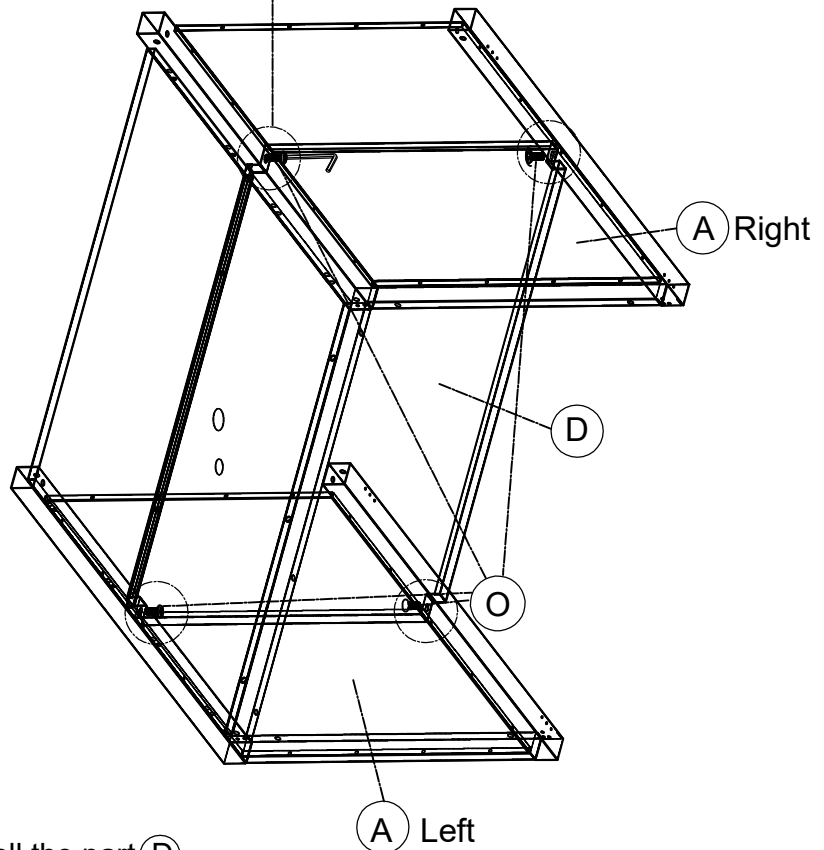
M6x15mm

ⓐ x8



picture 8

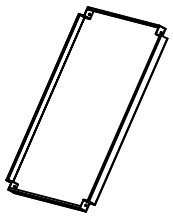
picture9



Step 4 : Install the part ⓓ

①As shown in the picture4: put the partition ⓓ between ⓐ left and A right , use screws to pass through ⓓ, connecting ⓓ to ⓐ left and ⓐ right, and then tighten all the screws.

Note:All corresponding hole positions must be concentric.



(E) x1

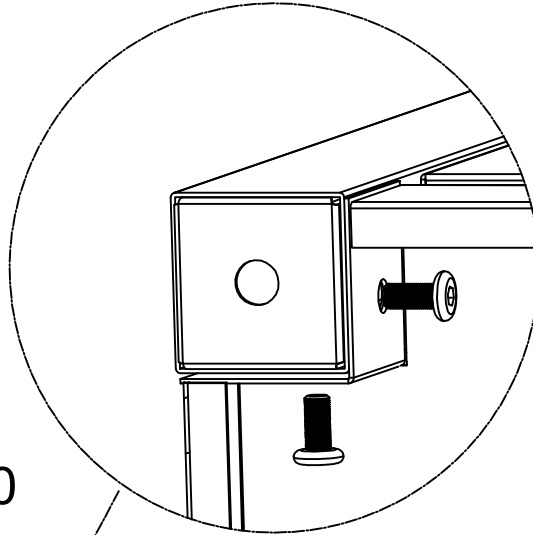


M6x15mm

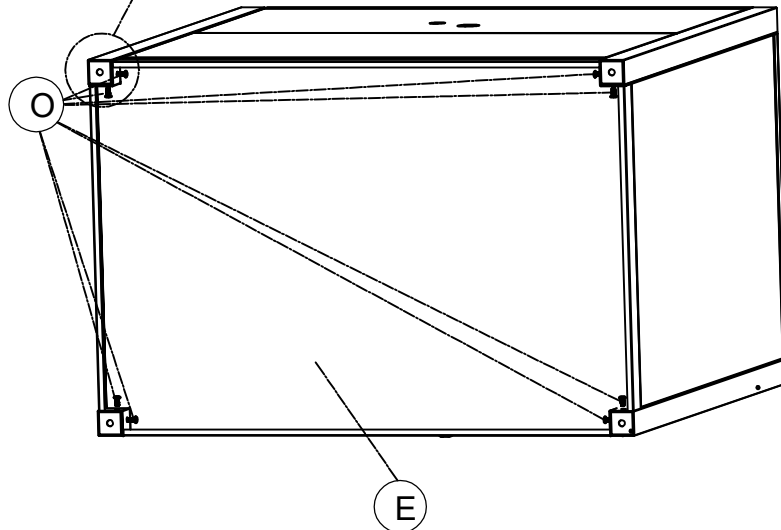
(O) x8

## Assembly Instruction

<5>



picture 10



picture 11

Step 5 : Install the base plate (E)

①As shown in the picture11: put the base plat (E)at the bottom of the mobile washbasin, use screws to pass through (O), connecting (E)to (A)left and (A)right, and then tighten all the screws.

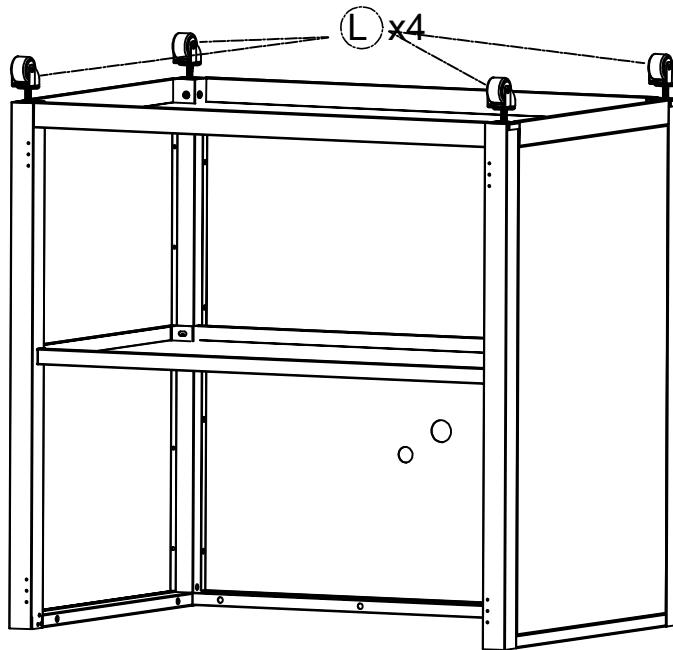
Note:All corresponding hole positions must be concentric.



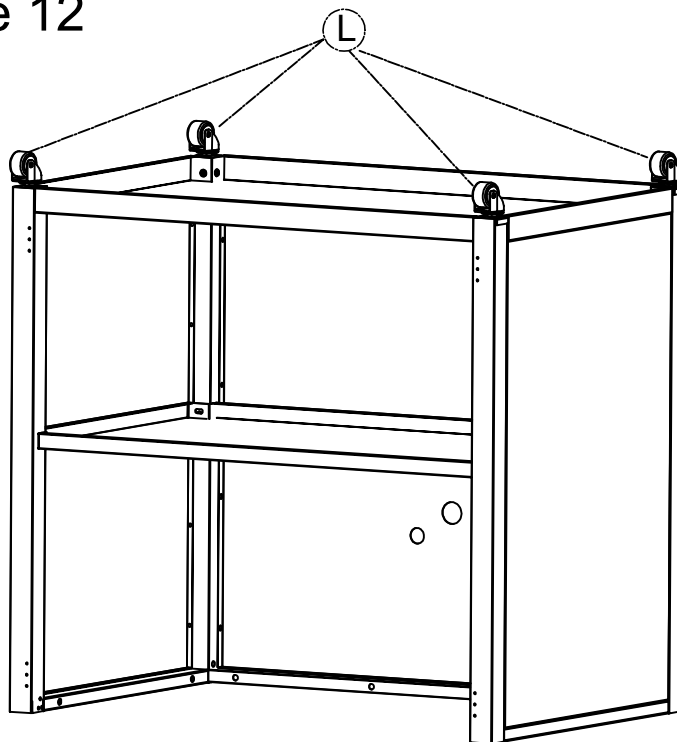
Ⓛ x4

## Assembly Instruction

<6>



picture 12



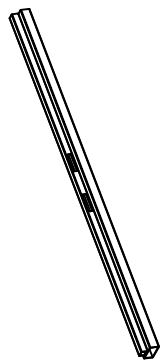
picture 13

Step 6 : Install the universal wheel

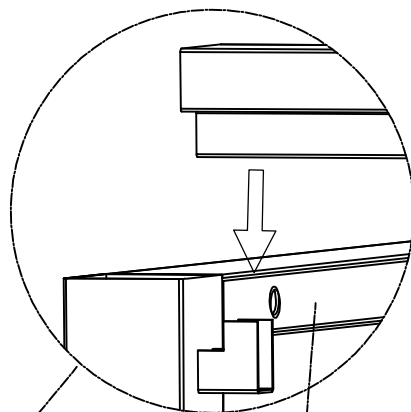
As shown in the picture: Put the mobile washbasin upside down, then install the universal wheels Ⓛ on each of the four legs. make the screws of the universal wheels and the holes on the legs are concentric. and then tighten all the screws of the universal wheels.

# Assembly Instruction

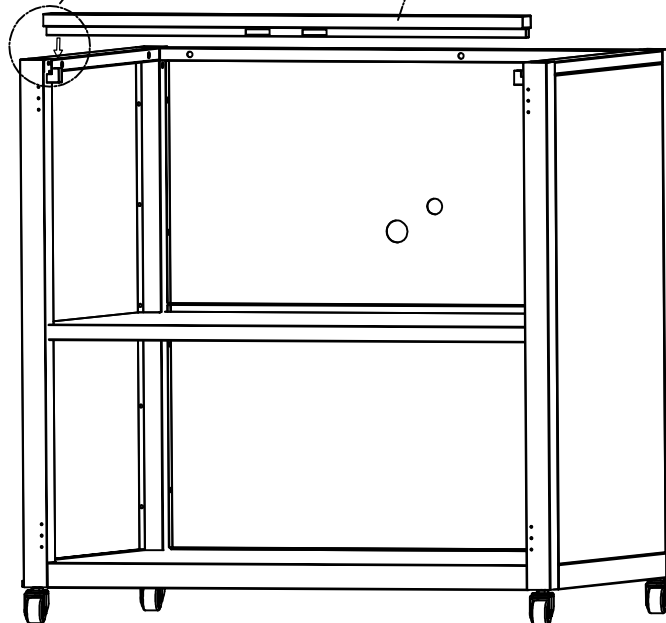
<7>



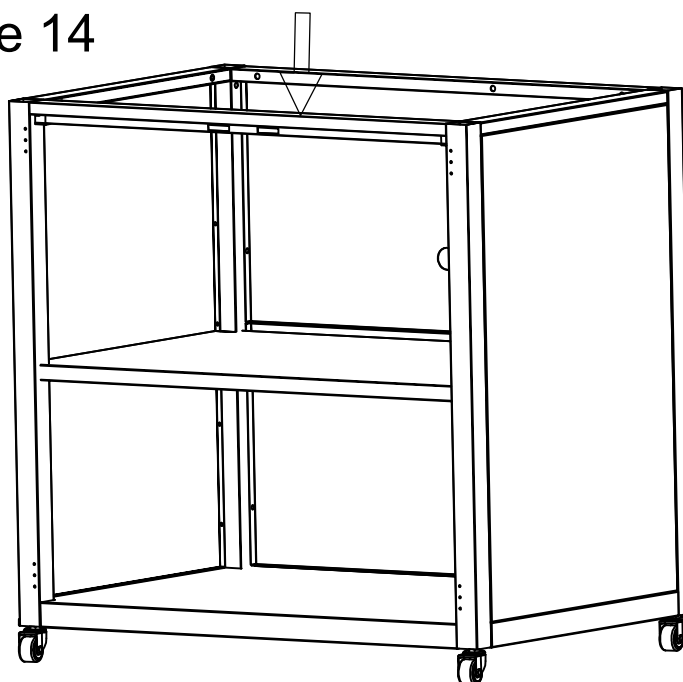
ⓐ x1



ⓐ



picture 14



Step 7 : Install the cross brace ⓐ

As shown in the picture14:

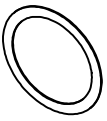
Note:All corresponding hole positions must be concentric.



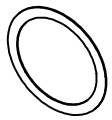
B x1



B1 x1



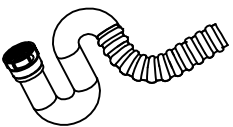
B2 x1



B3 x1



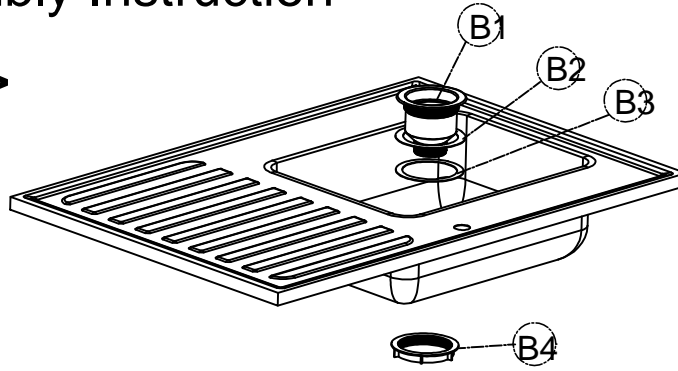
B4 x1



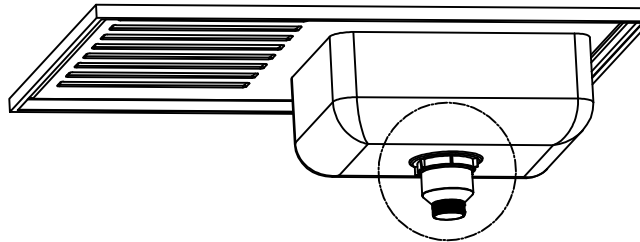
B5 x1

# Assembly Instruction

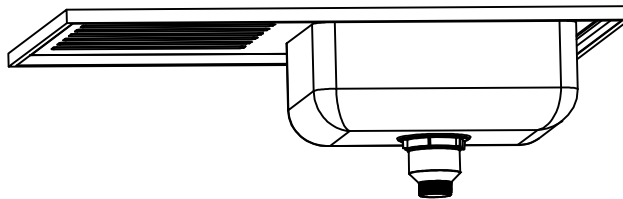
## <8>



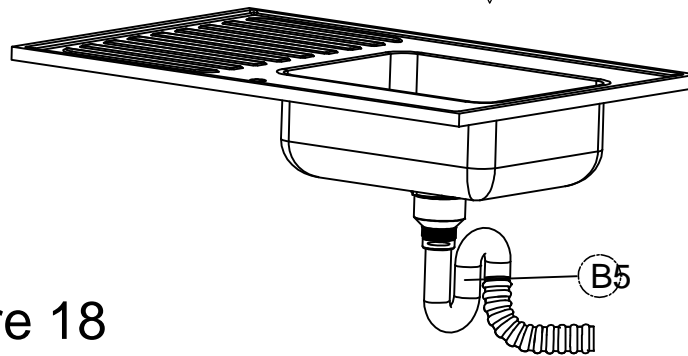
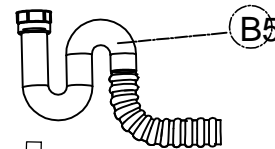
picture 15



picture 16



picture 17



picture 18

Step 8 : Install the Washbasin components

As shown in the picture15 to picture 18:

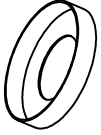
Note:All corresponding hole positions must be concentric.

# Assembly Instruction

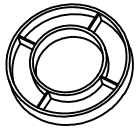
<9>



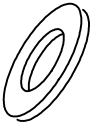
C x1



C1 x1



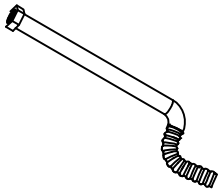
C2 x1



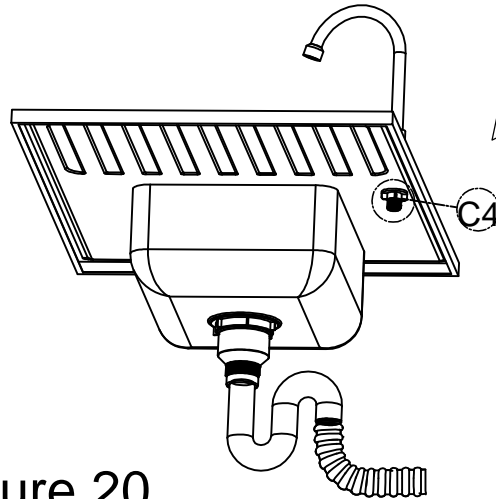
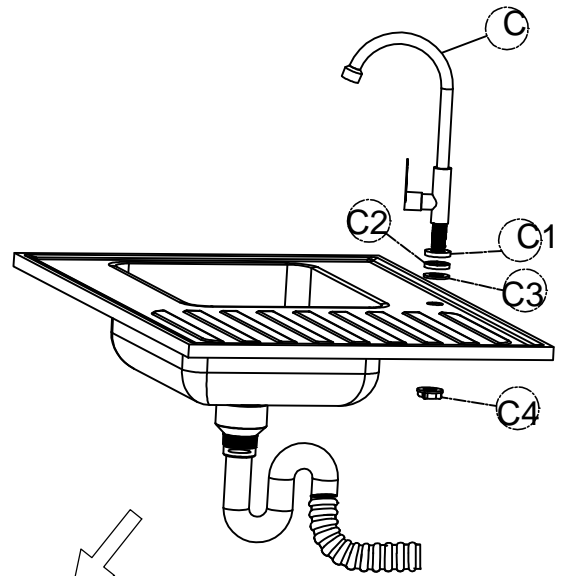
C3 x1



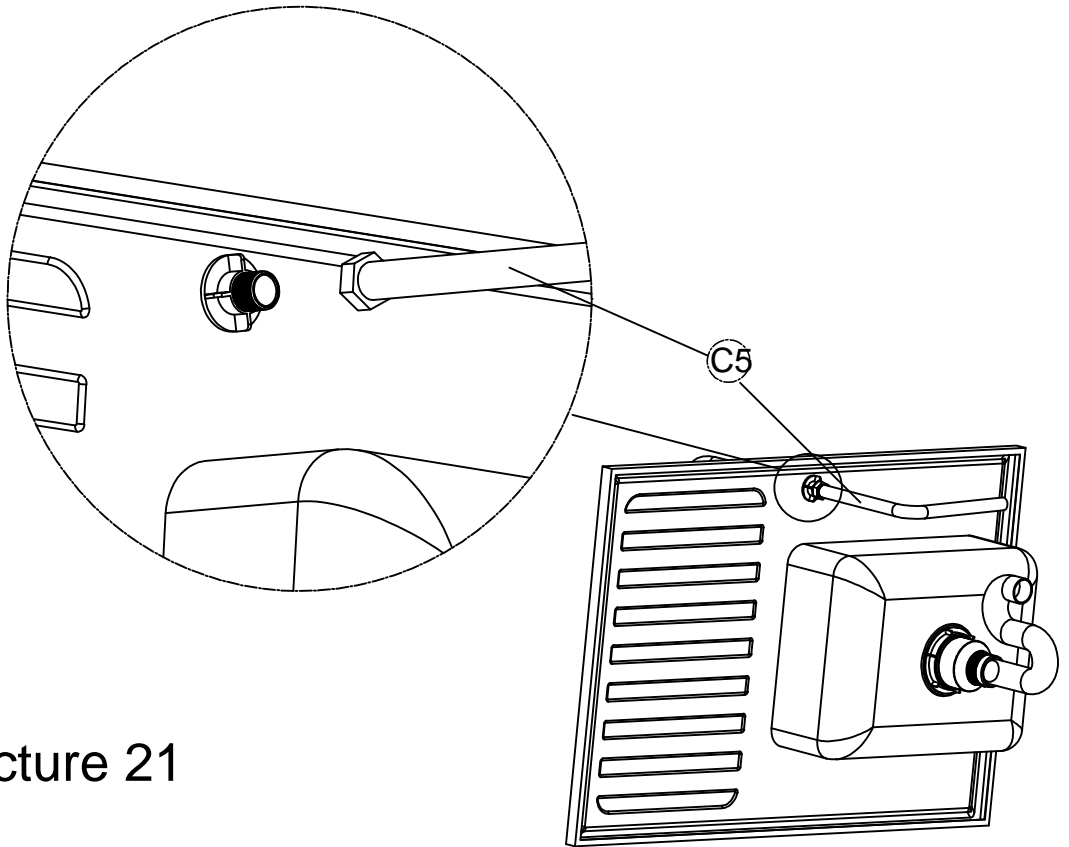
C4 x1



C5 x1



picture 20

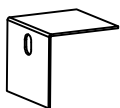


picture 21

Step 9 : Install the Faucet components  
As shown in the picture 19 to picture 21:  
Note: All corresponding hole positions must be concentric.

# Assembly Instruction

<10>

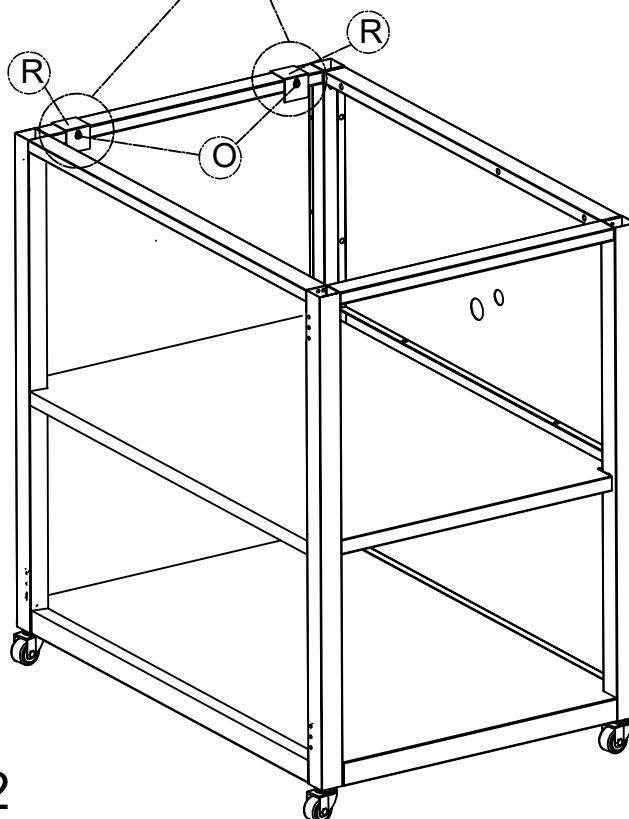
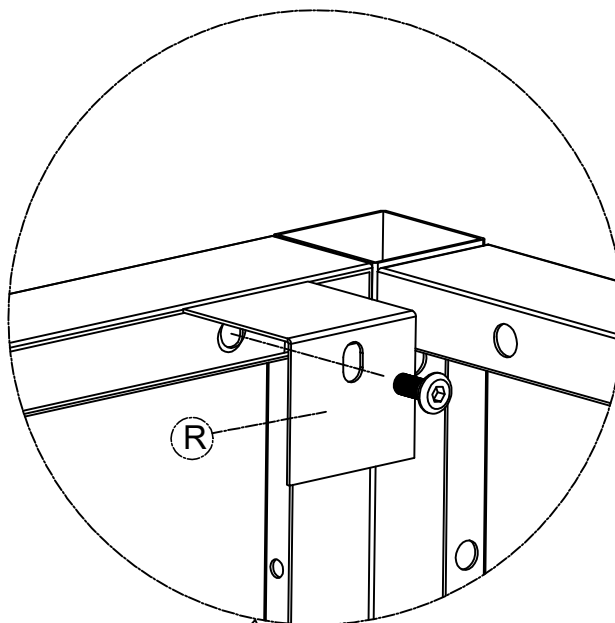


(R) x4



M6x10mm

(S) x4

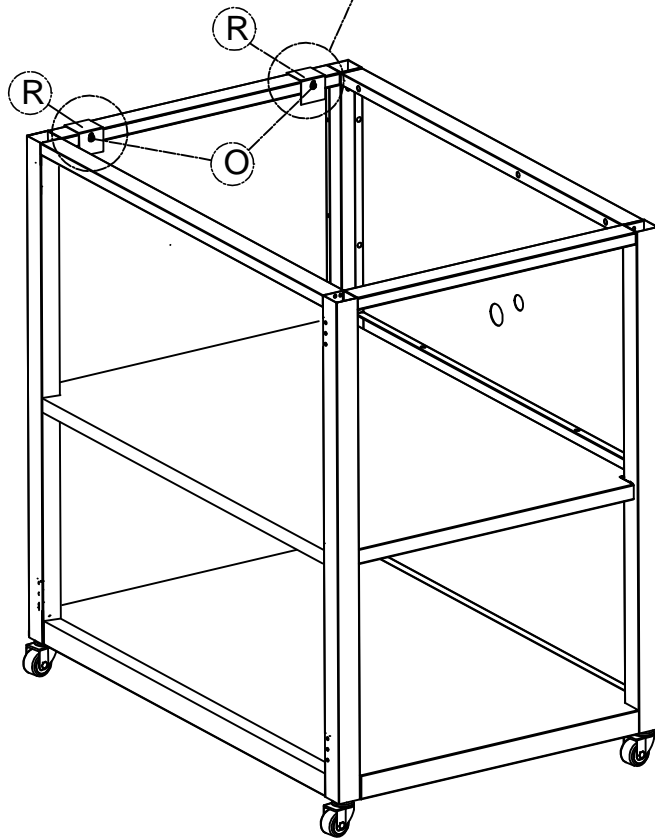
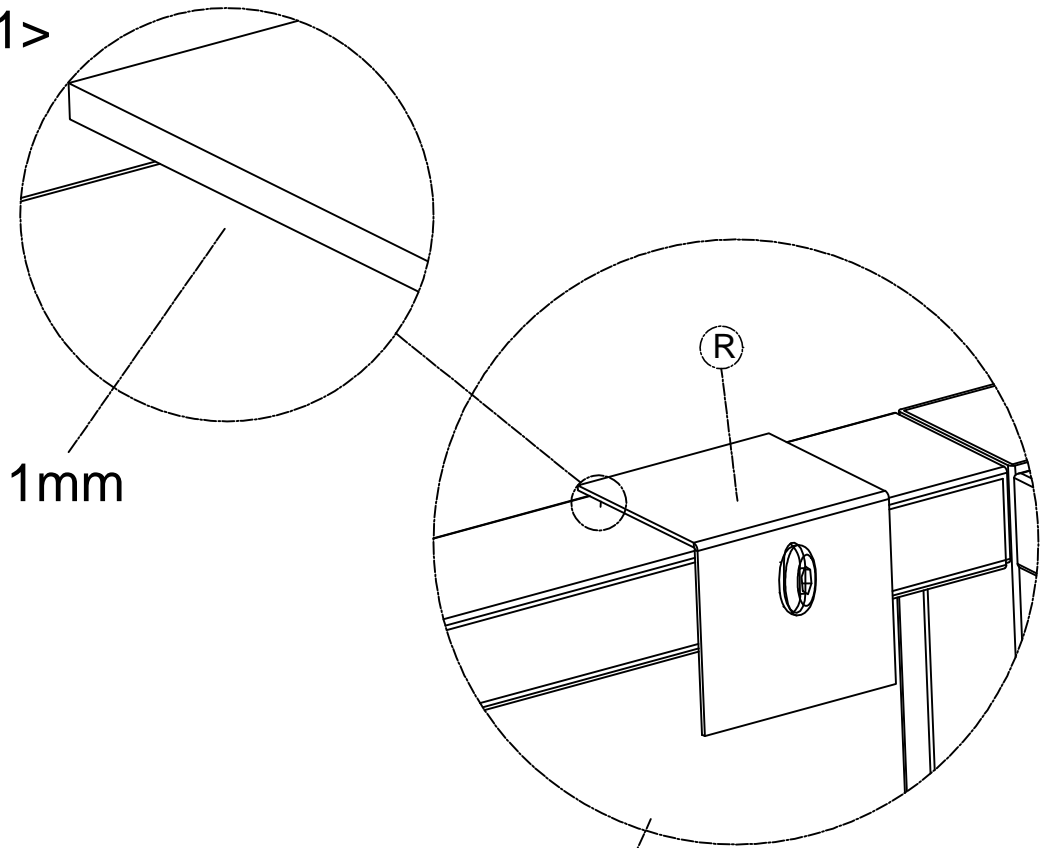


picture 22

Step 10 : Install the (L) shaped corner code (R)  
As shown in the picture22to picture23:  
Note:All corresponding hole positions must be concentric.

# Assembly Instruction

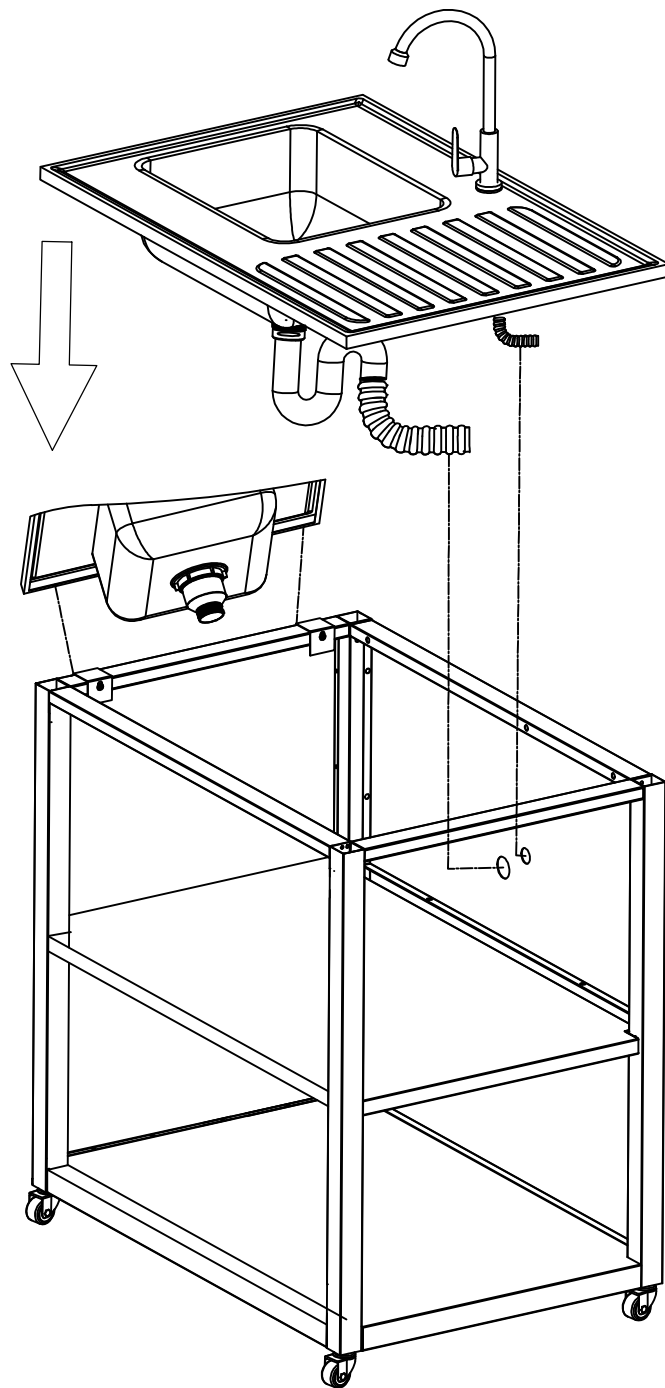
<11>



picture 23

# Assembly Instruction

<12>



picture 24

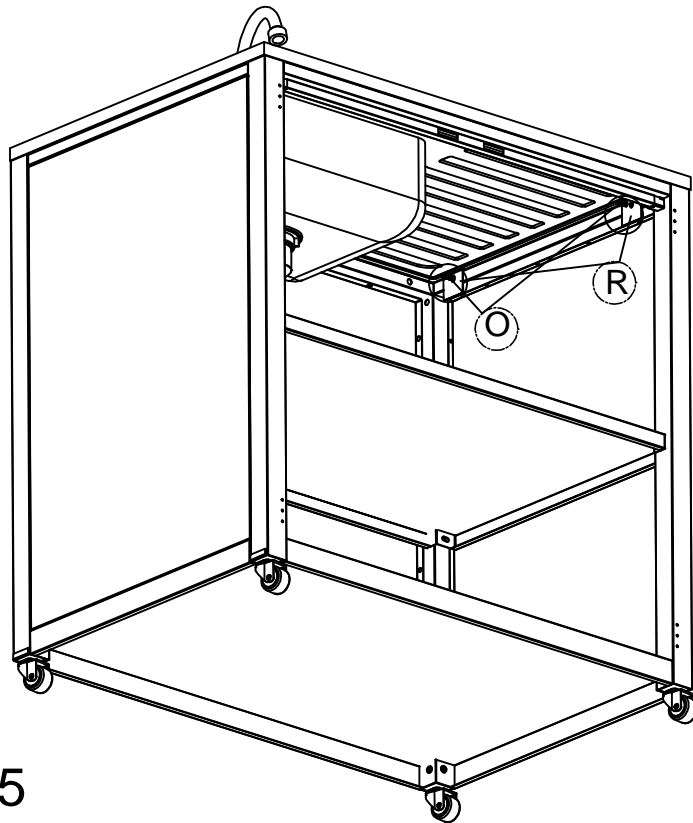
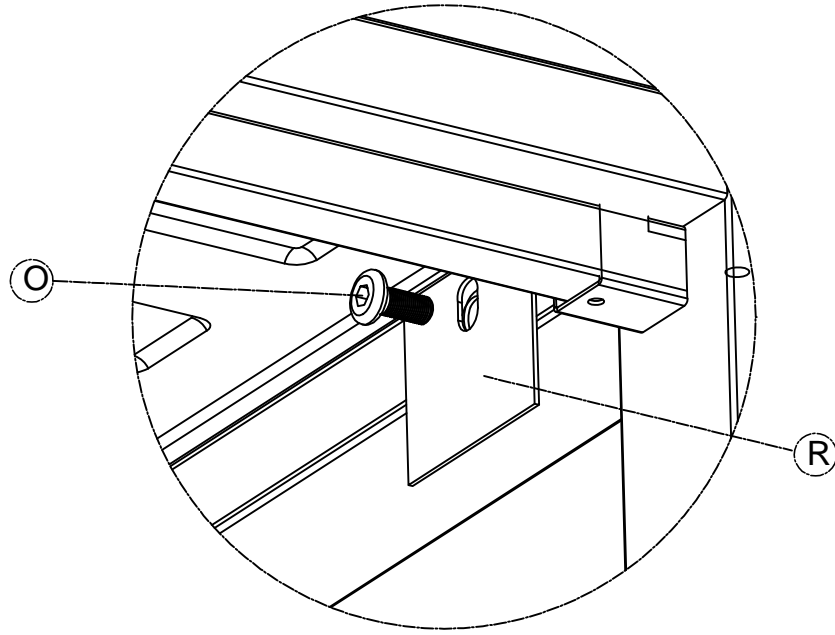
Step 11: Install the basin

As shown in the picture24 to picture 25:

Note:All corresponding hole positions must be concentric.

# Assembly Instruction

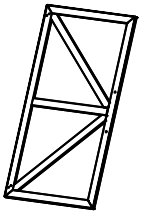
<13>



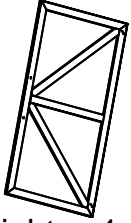
picture 25

# Assembly Instruction

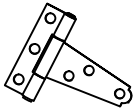
<14>



F left x1



F right x1

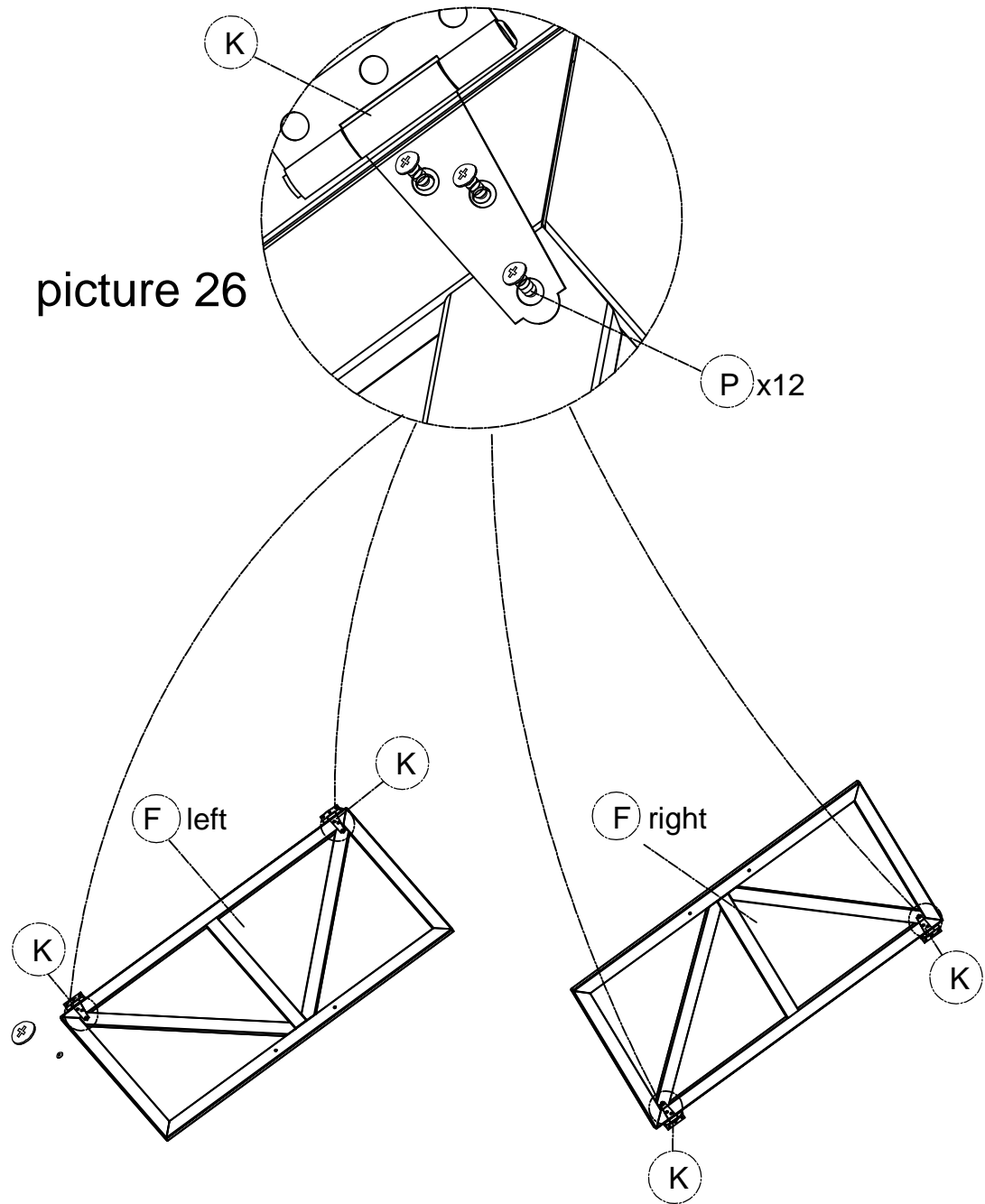


K x4



M4x10mm

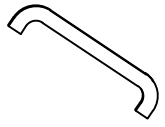
P x12



Step 12: Install the loose leaf to the door

As shown in the picture26:

Note:All corresponding hole positions must be concentric.



# Assembly Instruction

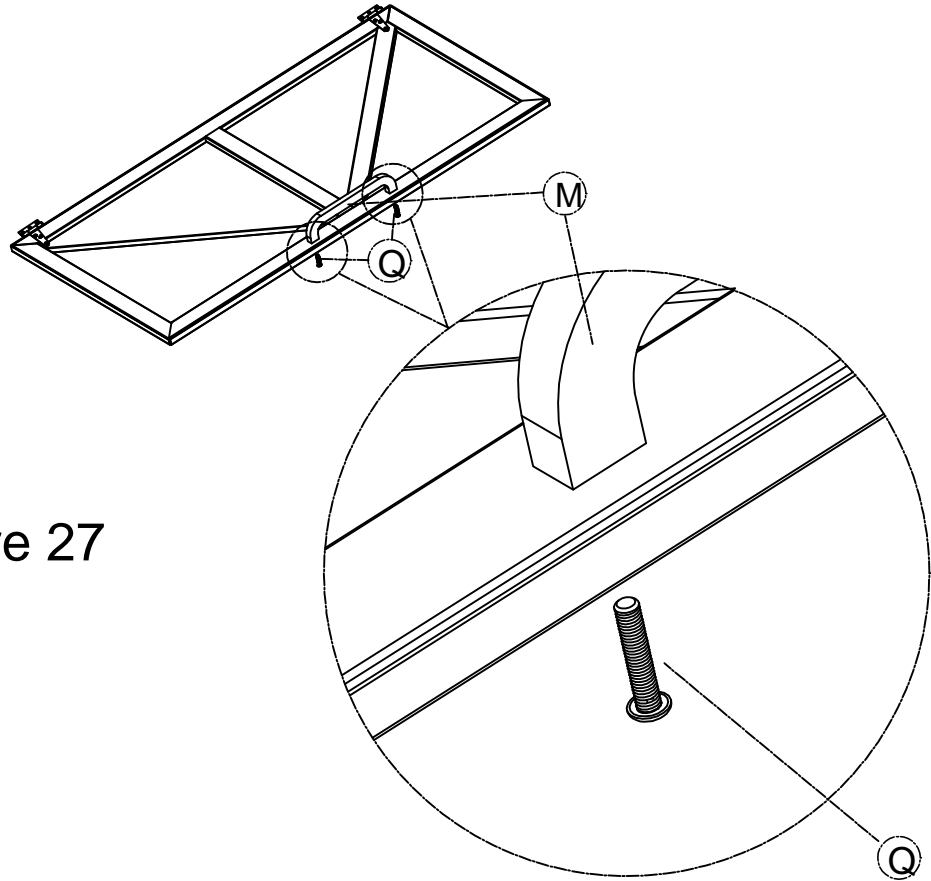
<15>

M x2

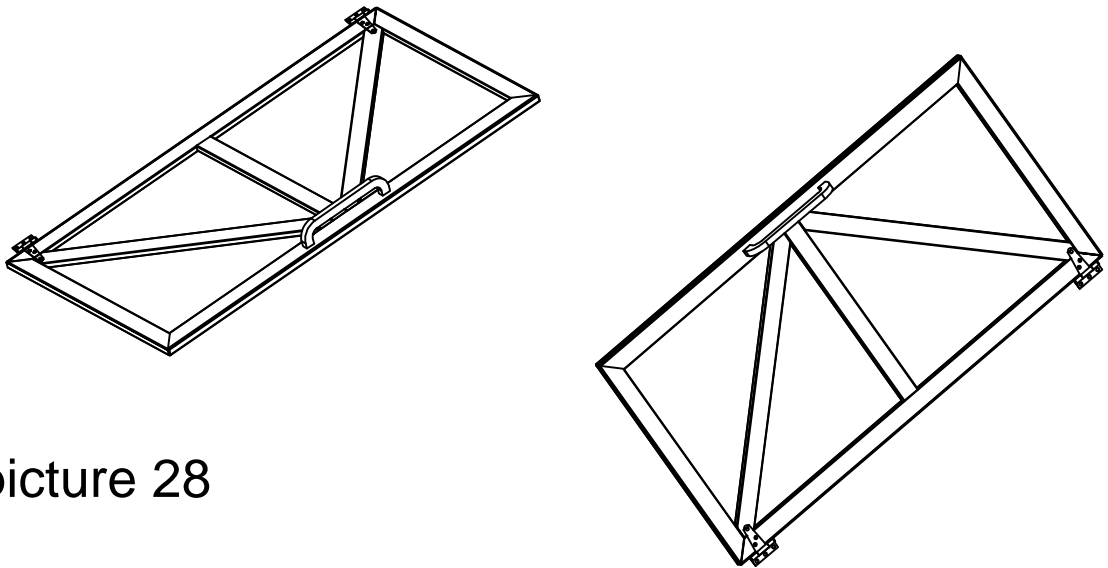


M4x20mm

Q x4



picture 27



picture 28

Step 13 : Install the door handle

As shown in the picture 27 to picture 28:

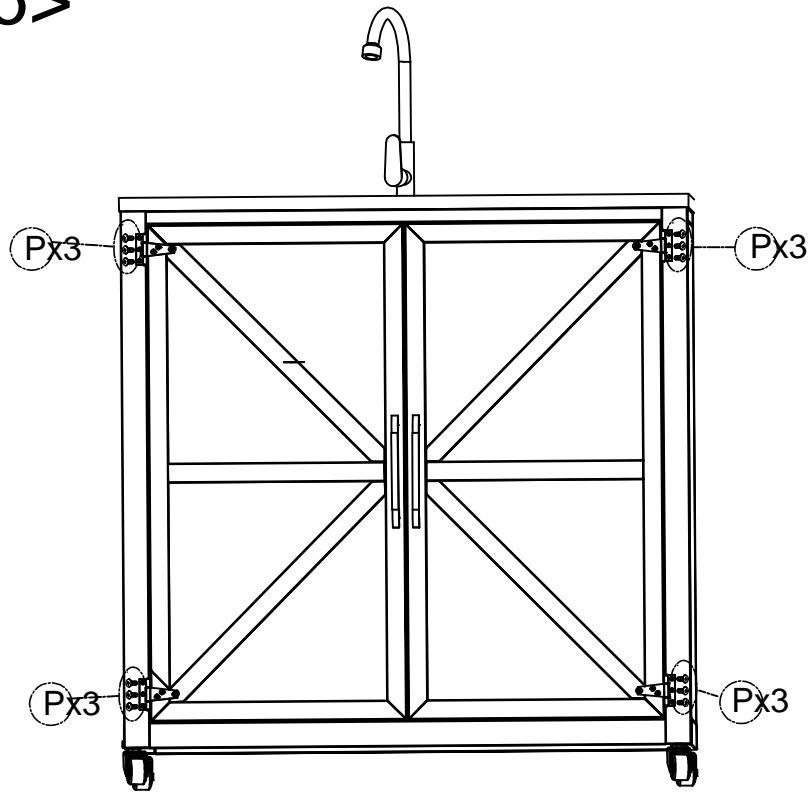
Note: All corresponding hole positions must be concentric.

# Assembly Instruction

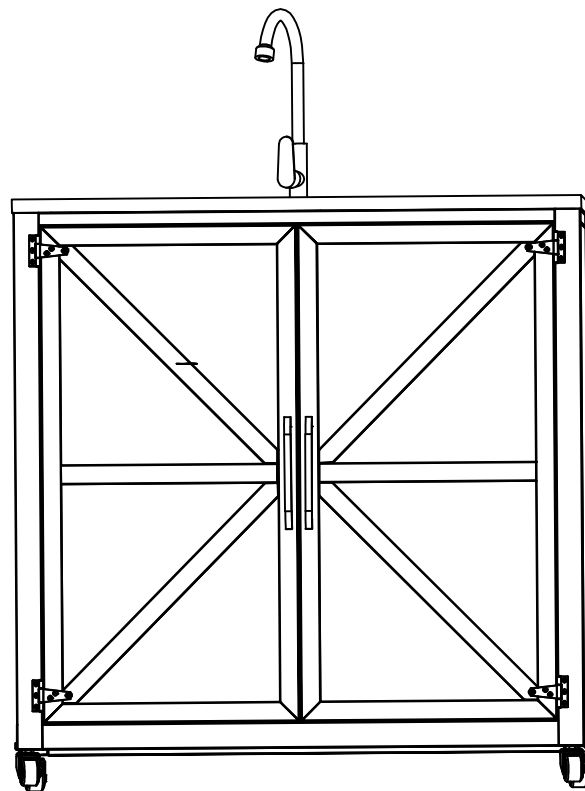
## <16>



(P) x12



picture 29



picture 30

19

Step 14 : Install the door

As shown in the picture 29 to picture 30:

Note: All corresponding hole positions must be concentric.

## Questions & Answers about Proposition 65

- What is Proposition 65?

Proposition 65 requires businesses to provide warnings to Californians about significant exposures to chemicals that cause cancer, birth defects or other reproductive harm. These chemicals can be in the products that Californians purchase, in their homes or workplaces, or that are released into the environment. By requiring that this information be provided, Proposition 65 enables Californians to make informed decisions about their exposures to these chemicals.

Proposition 65 also prohibits California businesses from knowingly discharging significant amounts of listed chemicals into sources of drinking water.

Proposition 65 requires California to publish a list of chemicals known to cause cancer, birth defects or other reproductive harm. This list, which must be updated at least once a year, has grown to include approximately 900 chemicals since it was first published in 1987.

- What does a warning mean?

If a warning is placed on a product label or posted or distributed at a workplace, a business, or in rental housing, the business issuing the warning is aware or believes that it is exposing individuals to one or more listed chemicals.

By law, a warning must be given for listed chemicals unless the exposure is low enough to pose no significant risk of cancer or is significantly below levels observed to cause birth defects or other reproductive harm.

- Where can I get more information on Proposition 65?

If you have specific questions on the administration or implementation of Proposition 65, you can contact OEHHA's Proposition 65 program at [P65.Questions@oehha.ca.gov](mailto:P65.Questions@oehha.ca.gov), or by phone at (916) 445-6900.