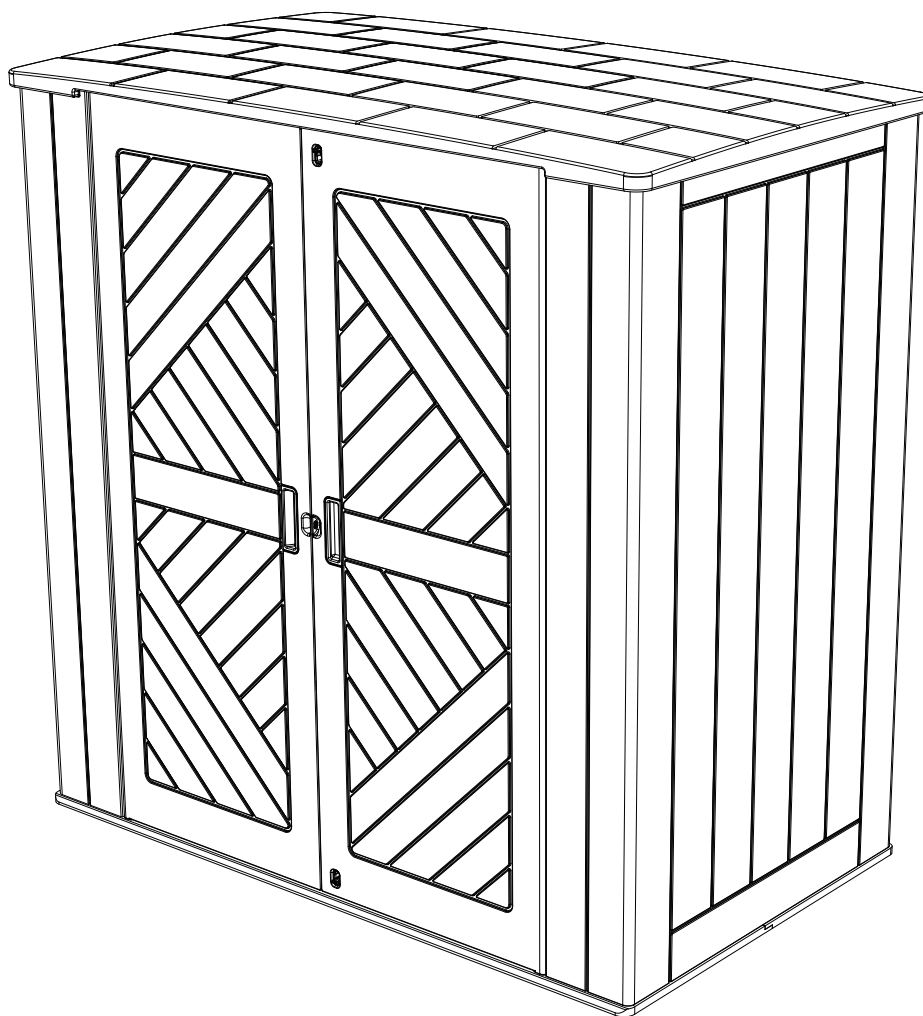


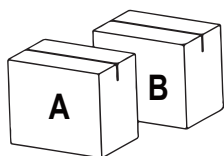
GARDEN SHED

Installation Manual

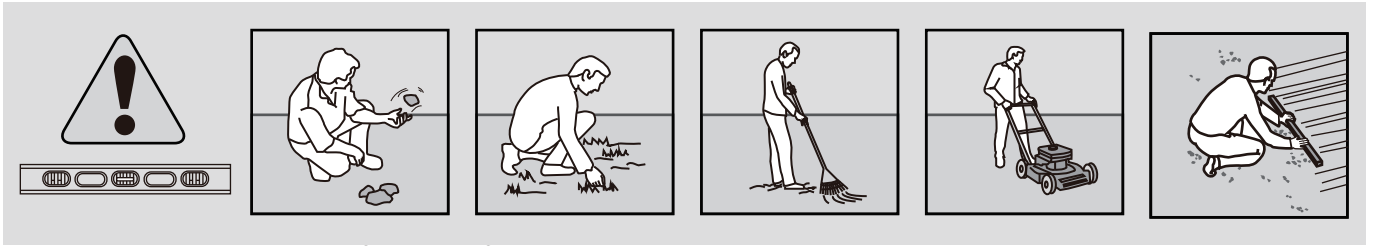
Please make sure you have received all the packages before installing and choose the installation manual according to the storage sheds you ordered



2Boxes (Box A, Box B)



LEVEL THE GROUND SURFACE



Level the ground surface before unpacking parts and beginning.

REQUIRED TOOLS



Screwdriver



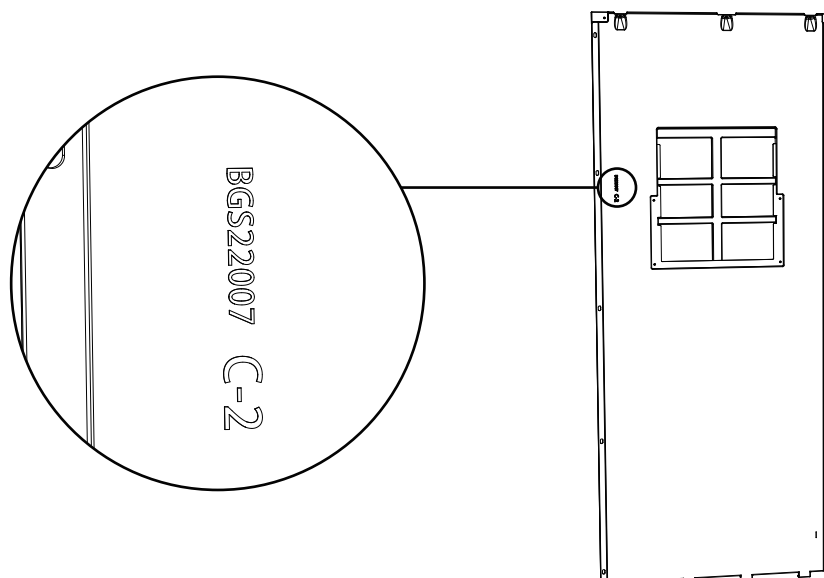
Electric drill

(Not included in the accessory pack)

Precautions

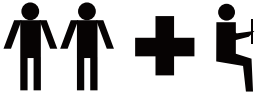
1. Please check the part lists before installation, you can contact with us if have any issues.
 2. Please install the storage shed as the instruction manual.
 3. The storage shed should be installed on flat surface.
 4. It suggests to install the storage shed with 2 or more people.
 5. It suggests to place the storage shed on flat ground.
-

PARTS NO. POSITION



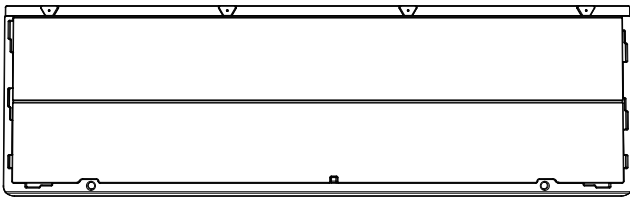


Please check the part lists before installation, you can contact us if you have any issues

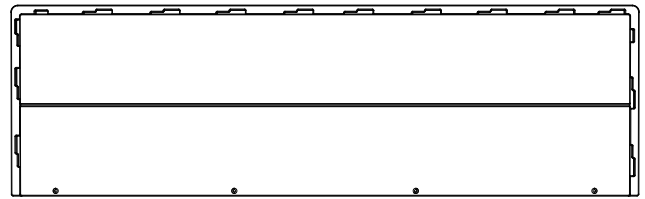


It is recommended that two or more people install the product.

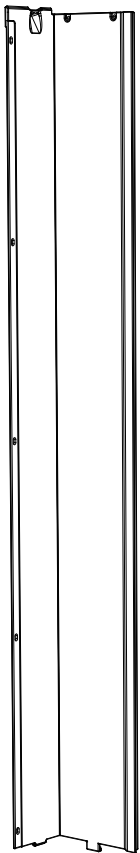
A Carton Part Lists



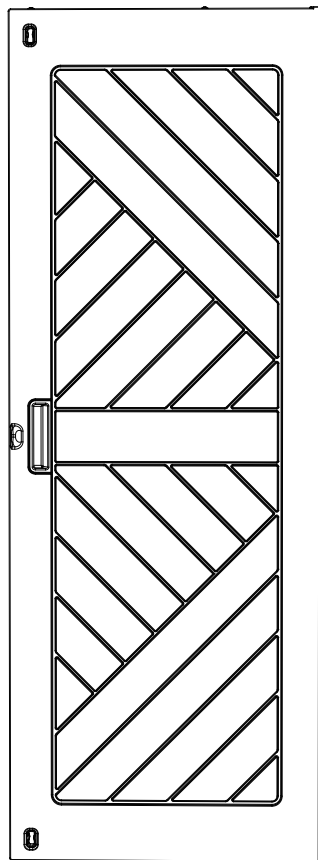
A-1



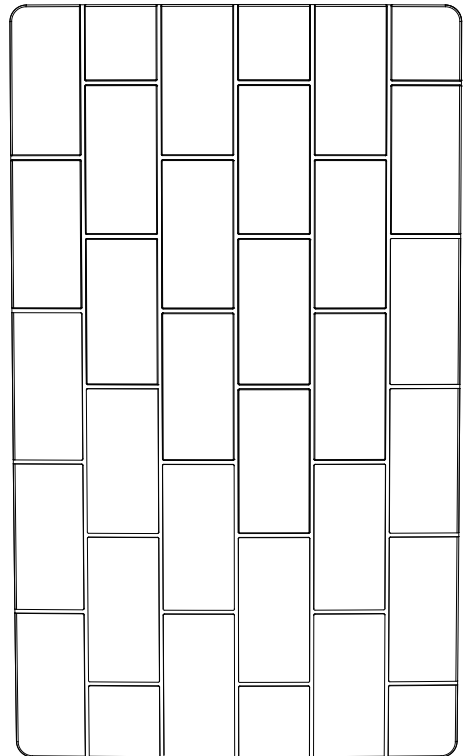
A-3



B-R

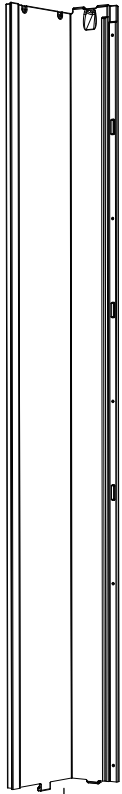


D-R

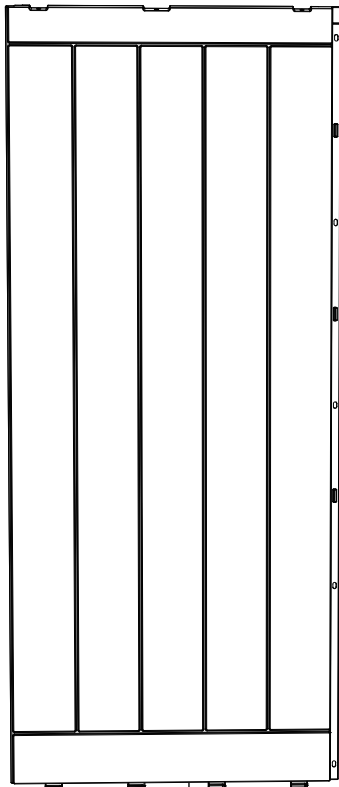


I

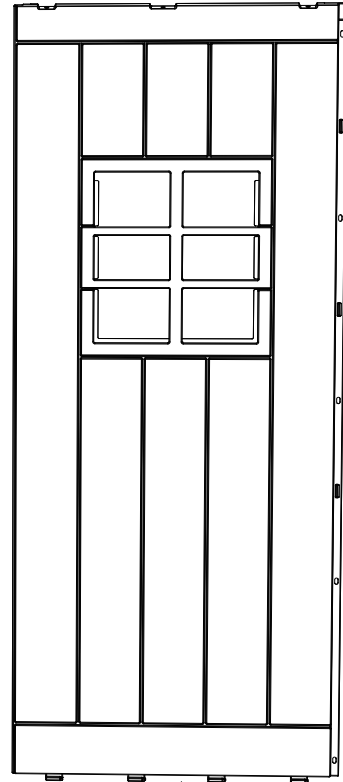
B Carton Part Lists



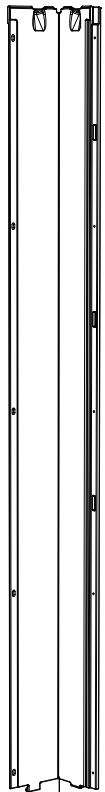
B-L



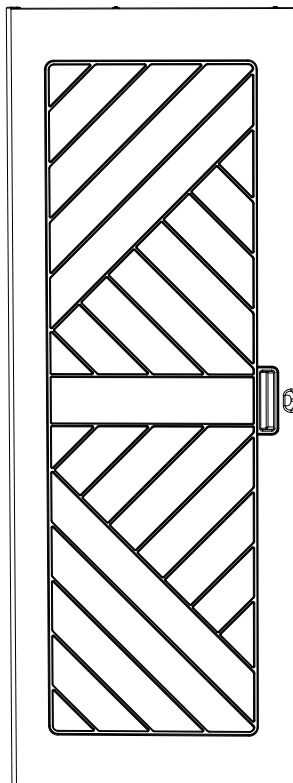
C-1
3pcs



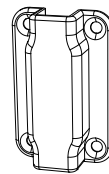
C-2



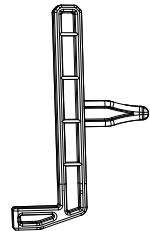
B-1
2pcs



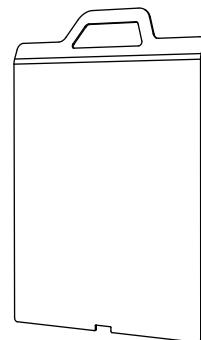
D-L



L2
2pcs



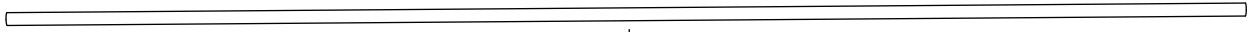
L3
2pcs



P



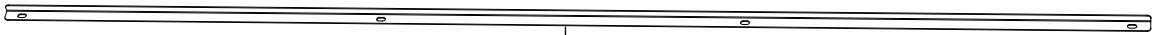
E-1



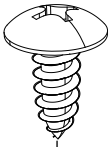
J-1
2pcs



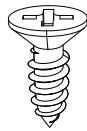
E-2



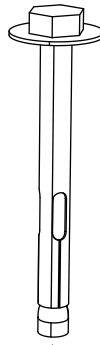
E-3



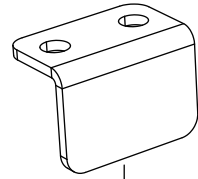
S1
74pcs
Spare 5pcs



S3
12pcs
Spare 2pcs

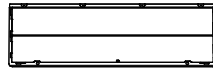


S6
5pcs
Spare 1pc

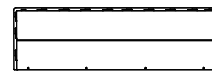


Q

1 Floor installation



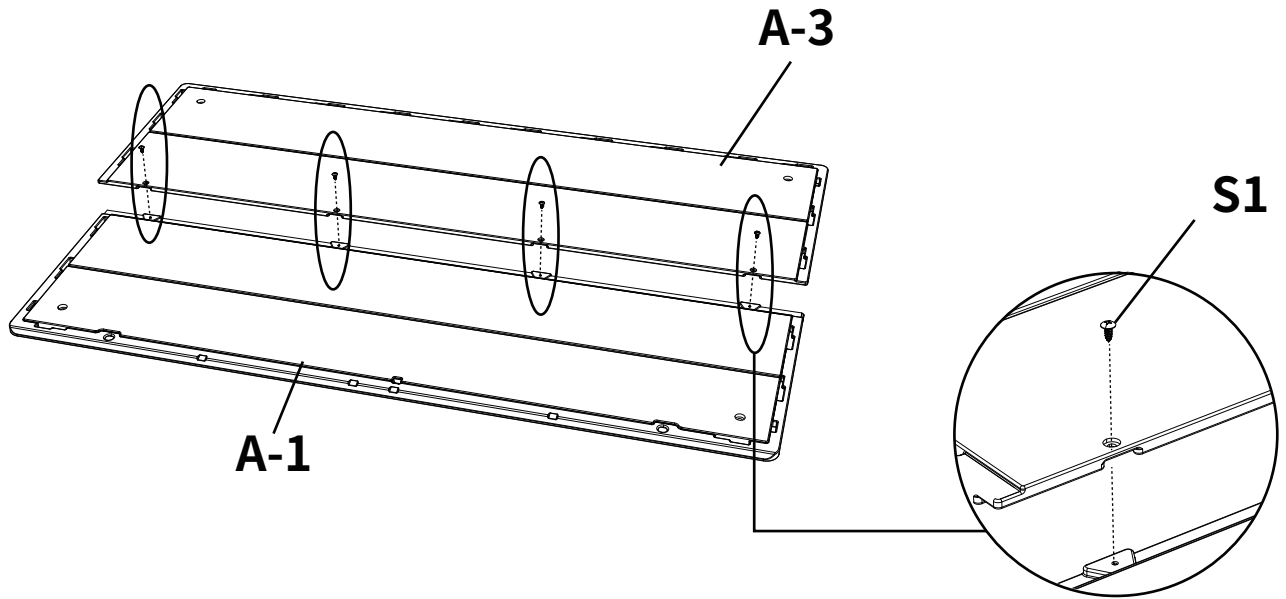
A-1



A-3



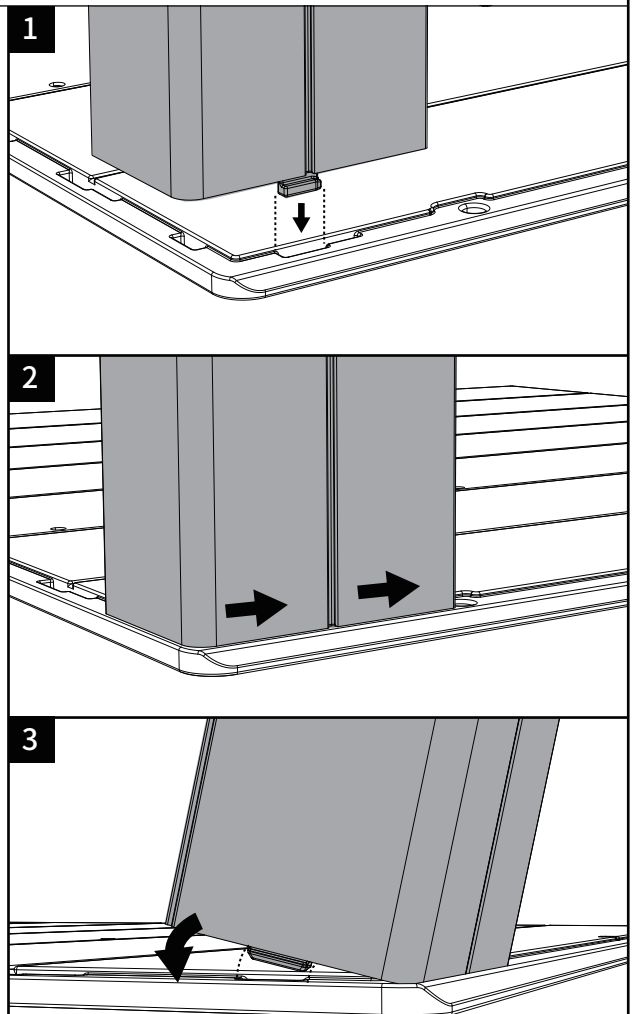
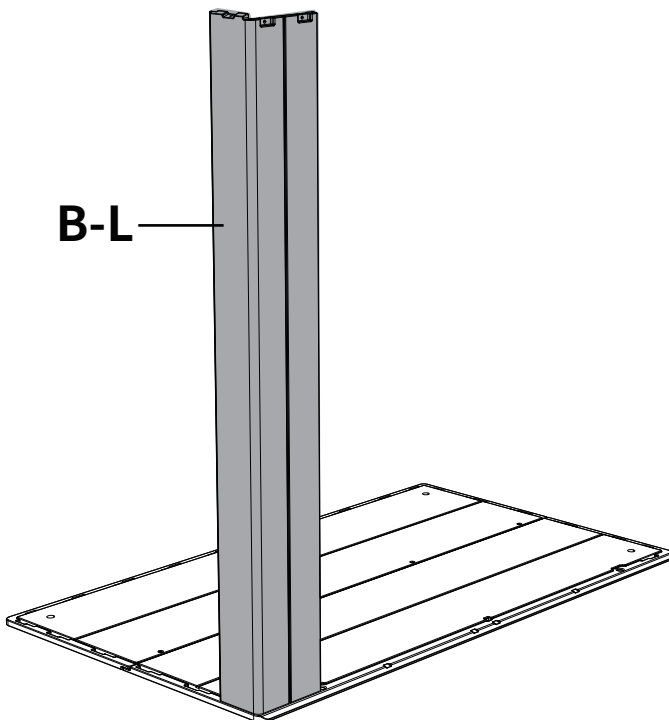
S1
4 pcs



2 Installation of the left front pillar

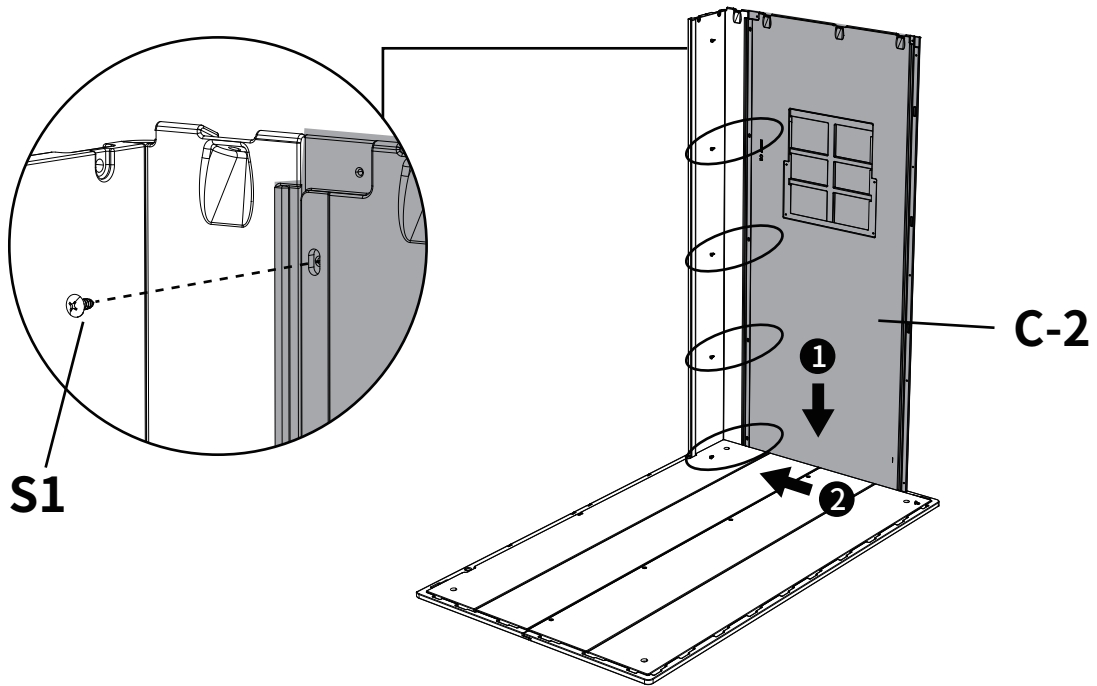


B-L

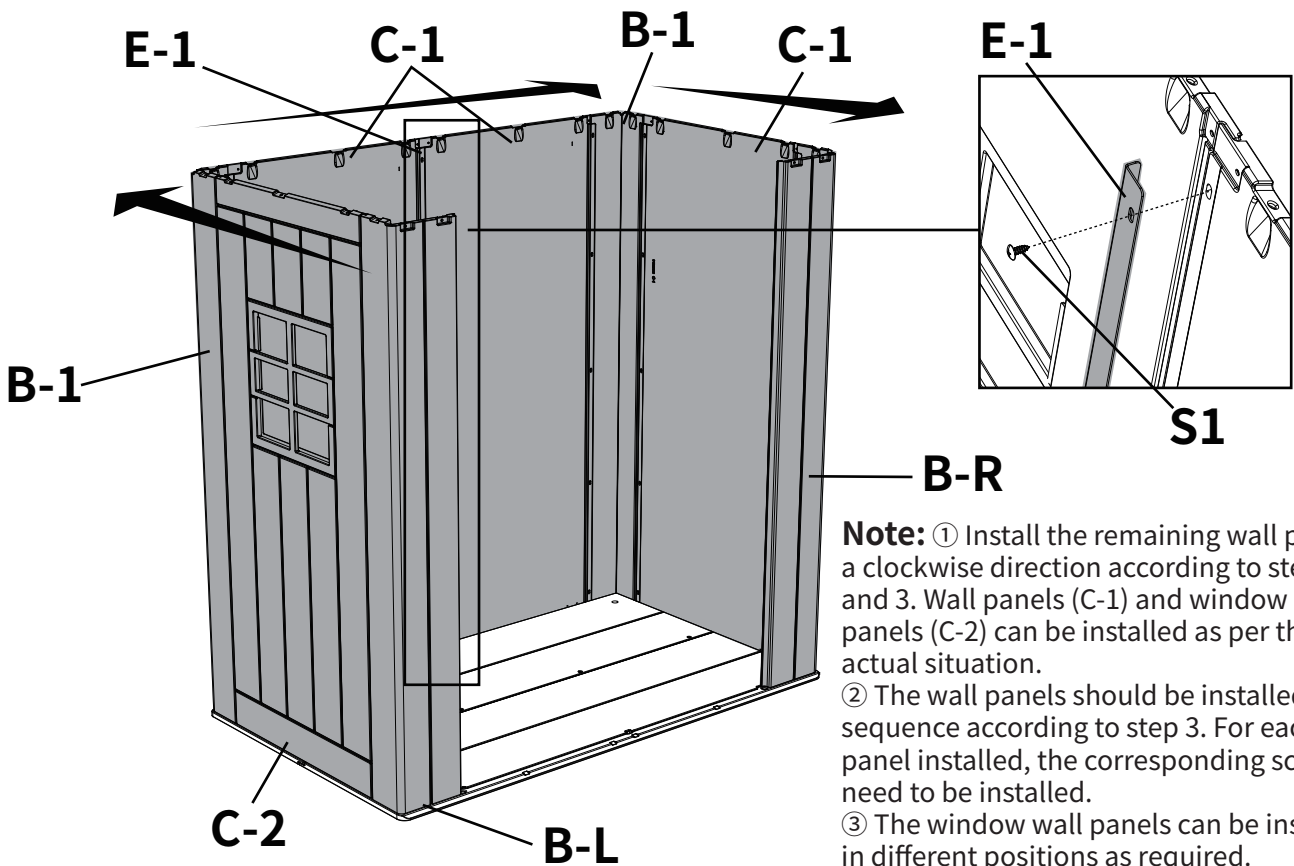
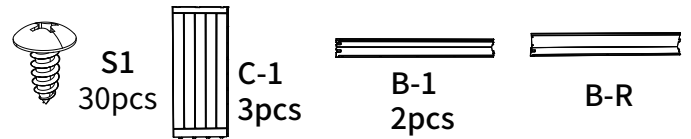


Note: Installation must start from the left front column (B-L) and proceed in a clockwise direction.

3 Wall panel installation



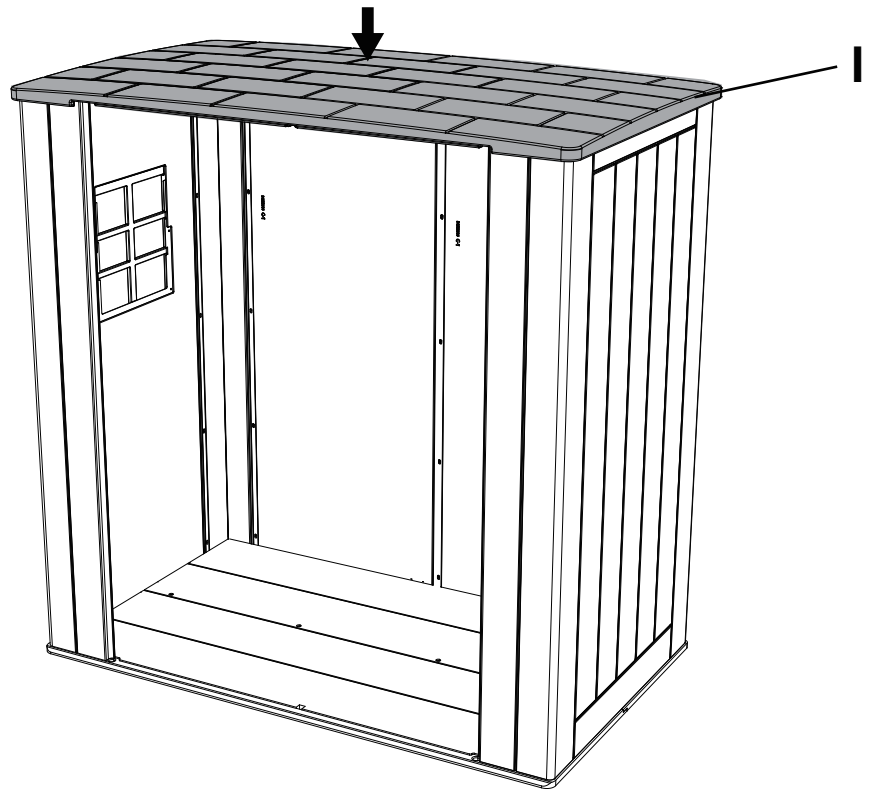
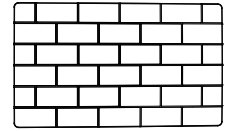
4 Wall panel installation



Note: ① Install the remaining wall panels in a clockwise direction according to steps 2 and 3. Wall panels (C-1) and window wall panels (C-2) can be installed as per the actual situation.
 ② The wall panels should be installed in sequence according to step 3. For each wall panel installed, the corresponding screws need to be installed.
 ③ The window wall panels can be installed in different positions as required.

5

Cover plate installation



Note: Do not install the screws for now.

6 Door panel installation

J-1
2pcs

E-3

E-2



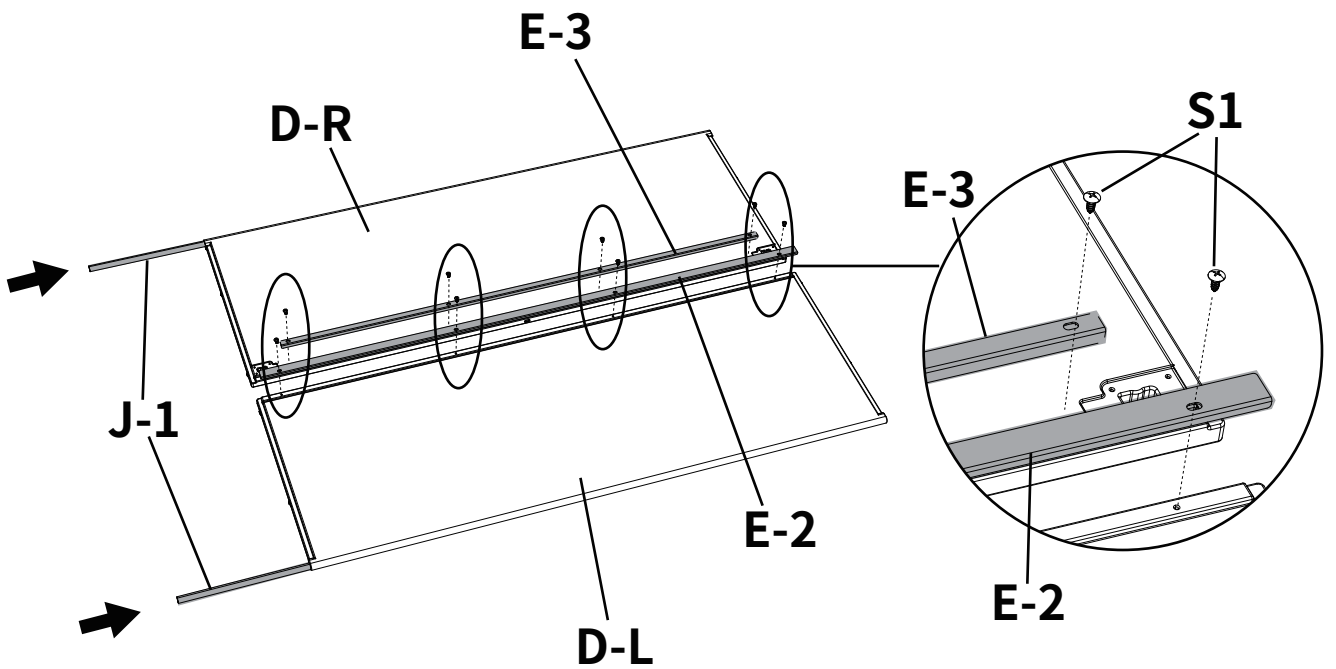
S1
8pcs



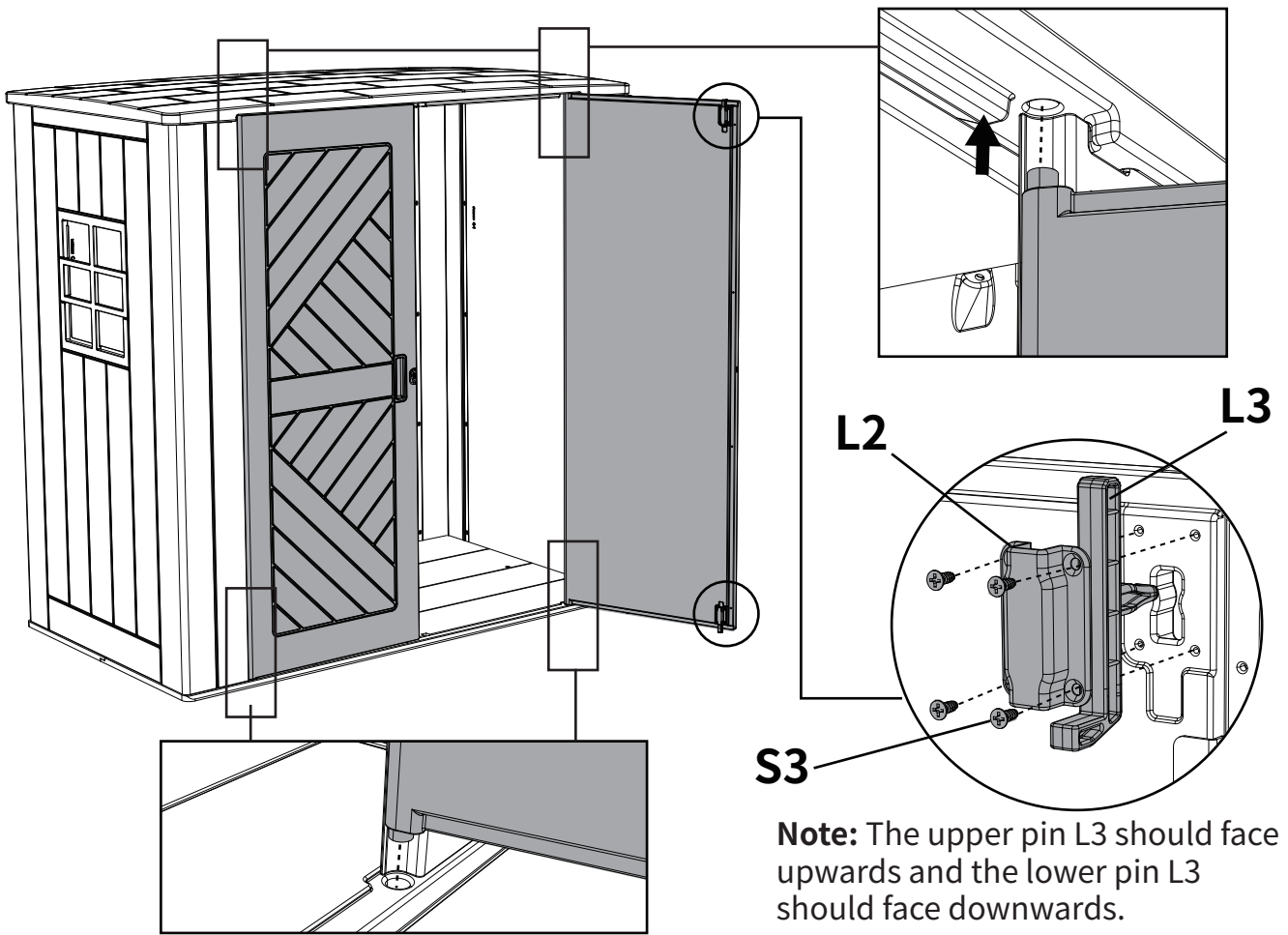
D-L



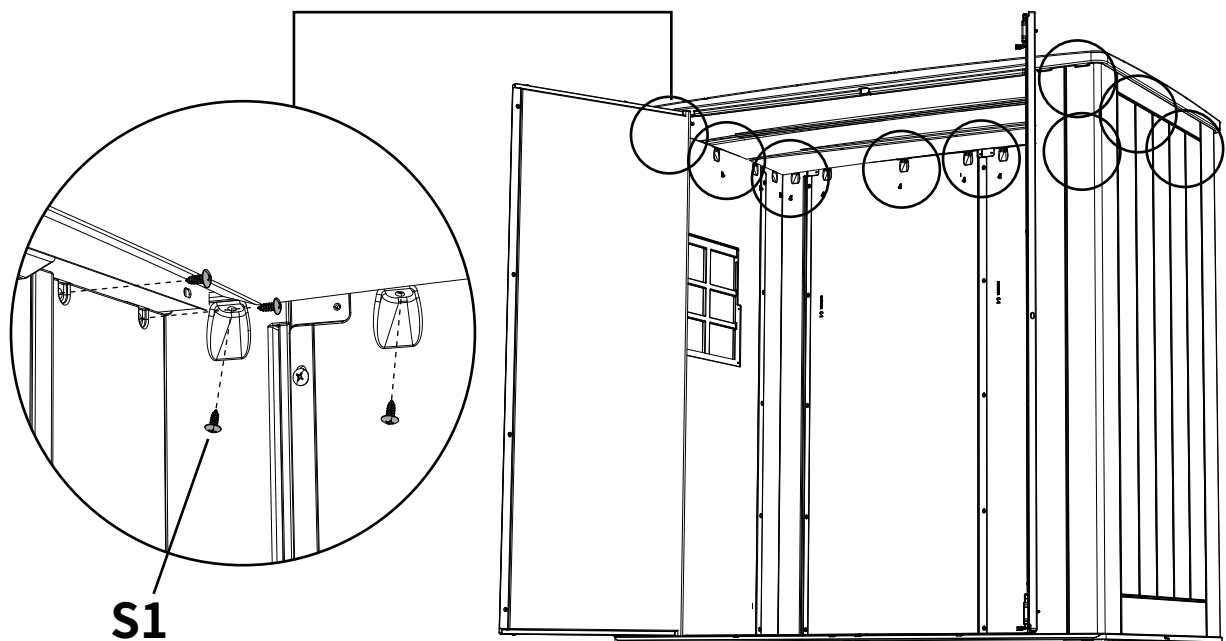
D-R



7 Door panel installation

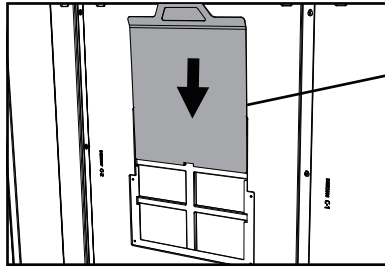
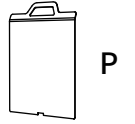
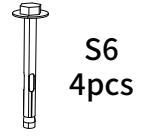
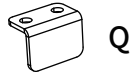


8 Cover plate fixation

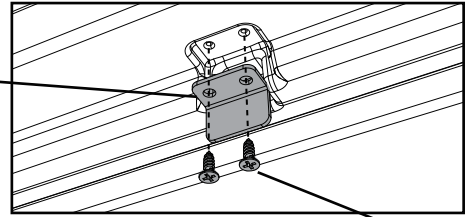


9

Installation of expansion screws

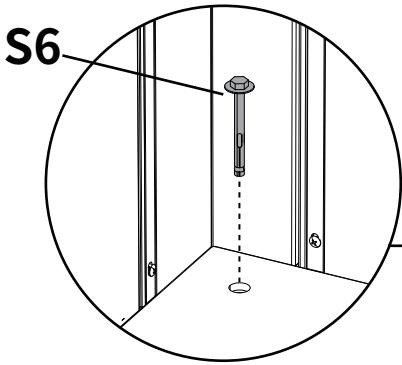


P

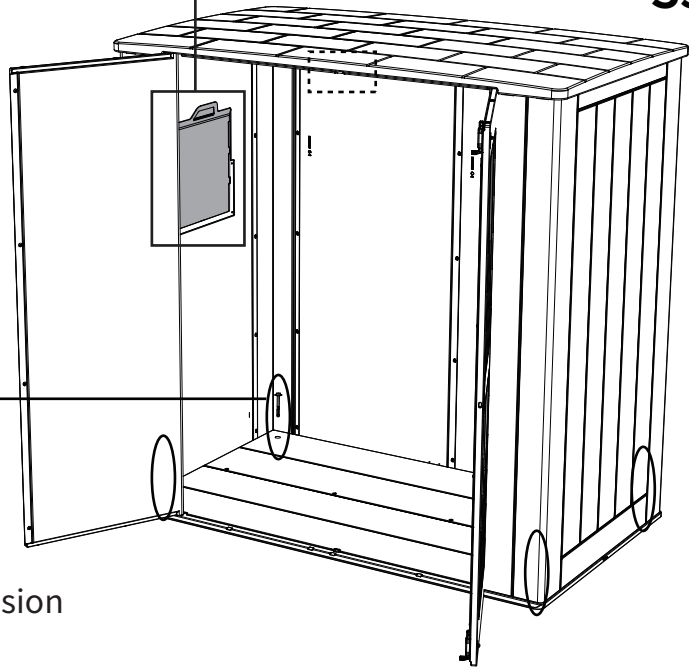


Q

S3



S6



Note: Choose whether to install expansion screws according to your own needs.

Congratulations on your successful installation!