

AFTERSALE SERVICE

Dear customer,

Thank you so much for purchasing the product from us, we really appreciate your support.

We are aimed to provide the best shopping experience to our customers. We also want to build a mutually beneficial relationship with our customers, and step further to make our brand both reliable, responsible and recommend-able.

We hope that our products could meet your needs and expectations, please consider us again if you need more products for your home and kitchen.

The package would be out of our control during shipping, please contact us through your purchasing channel directly if there is anything wrong with the box or contents. We are always here offering you our service.

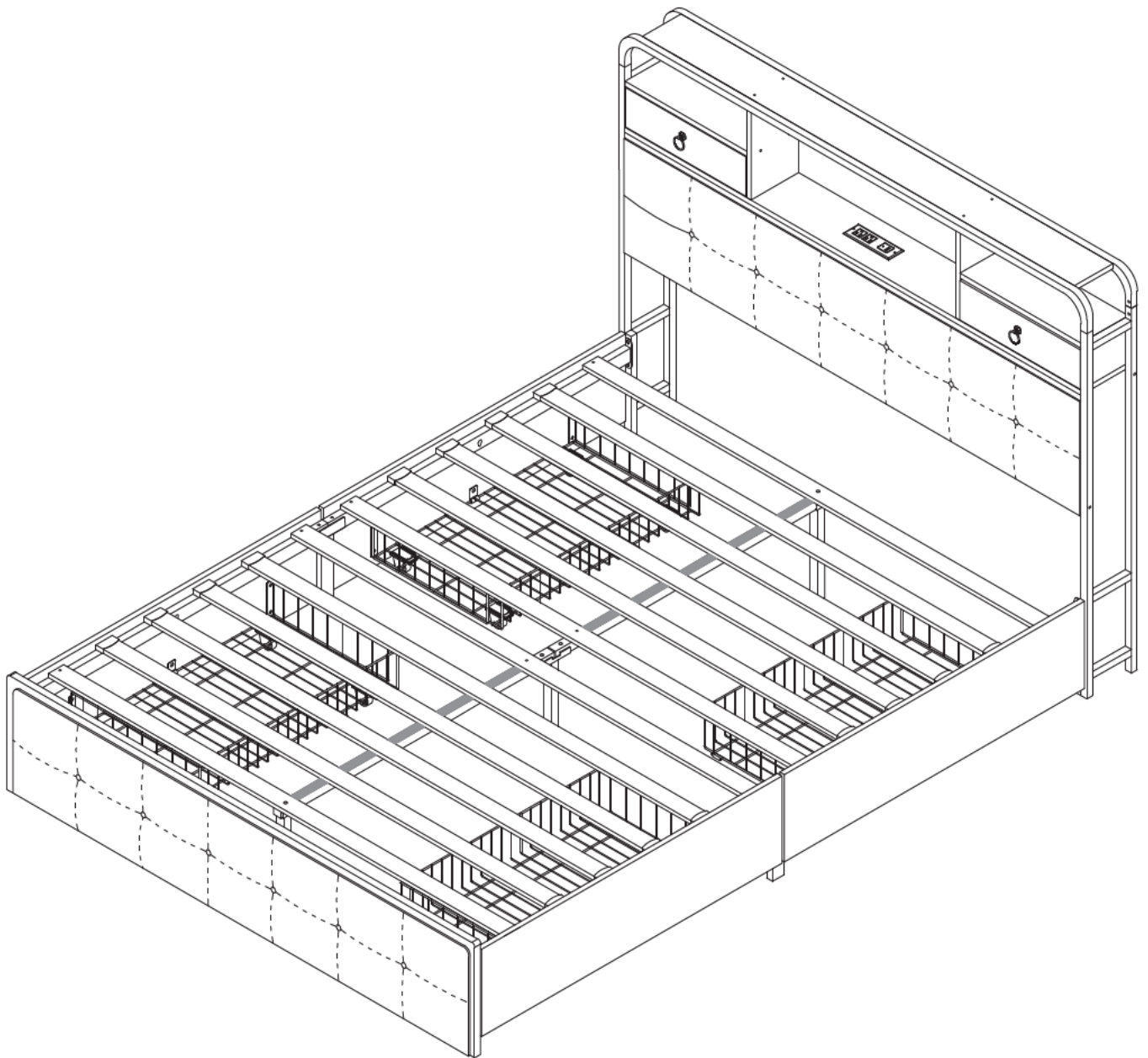
We will reply your messages within 24 hours, please kindly wait for the response from our professional service team.

Your comfort and contentment are of utmost importance.

Best Regards,

Customer Care Specialist

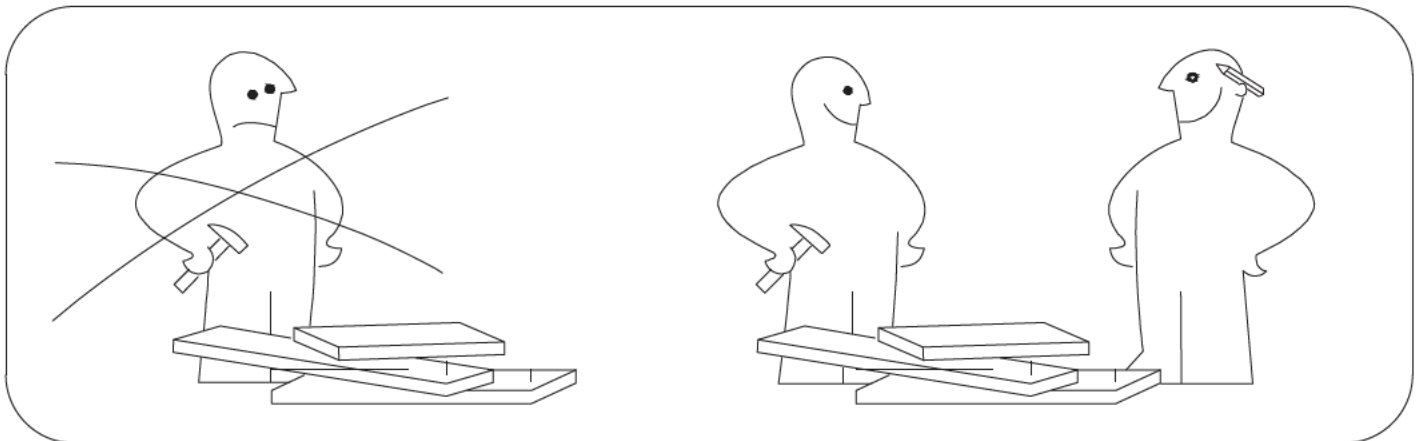
ASSEMBLY INSTRUCTION



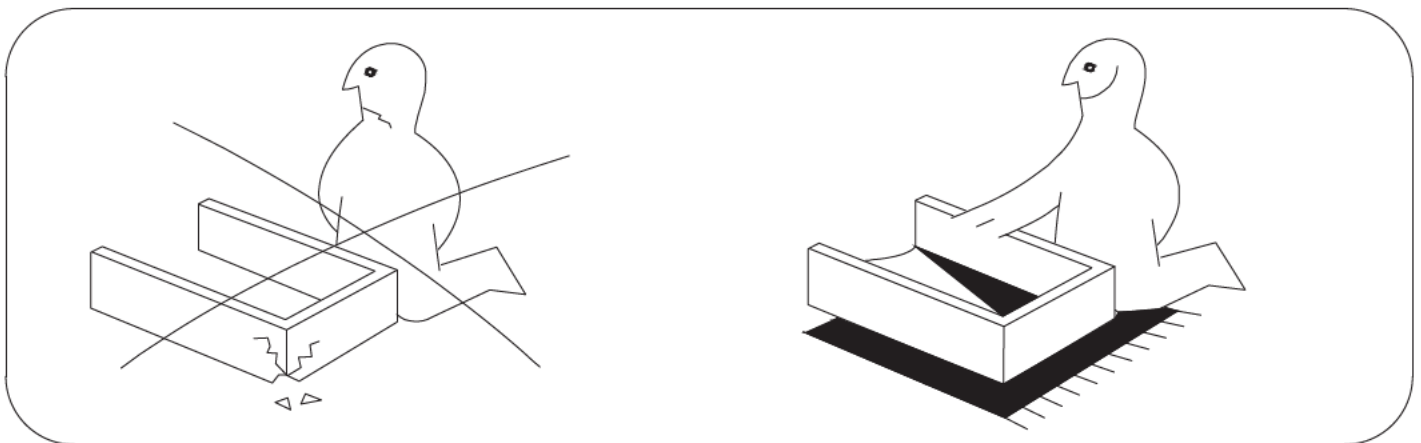


WARNING

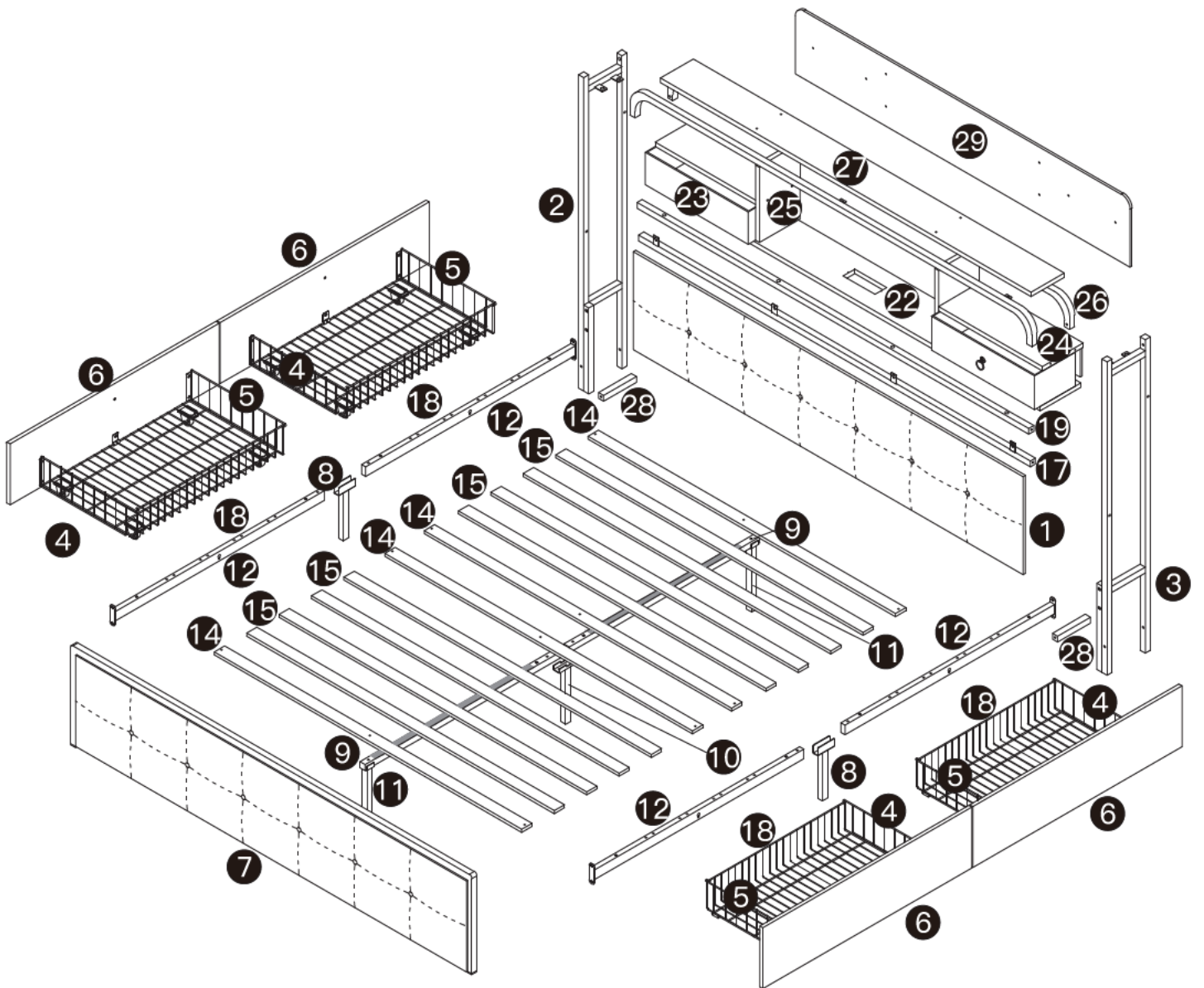
Need Two Or More People To Complete



Assemble Item On a Clean Flat Surface



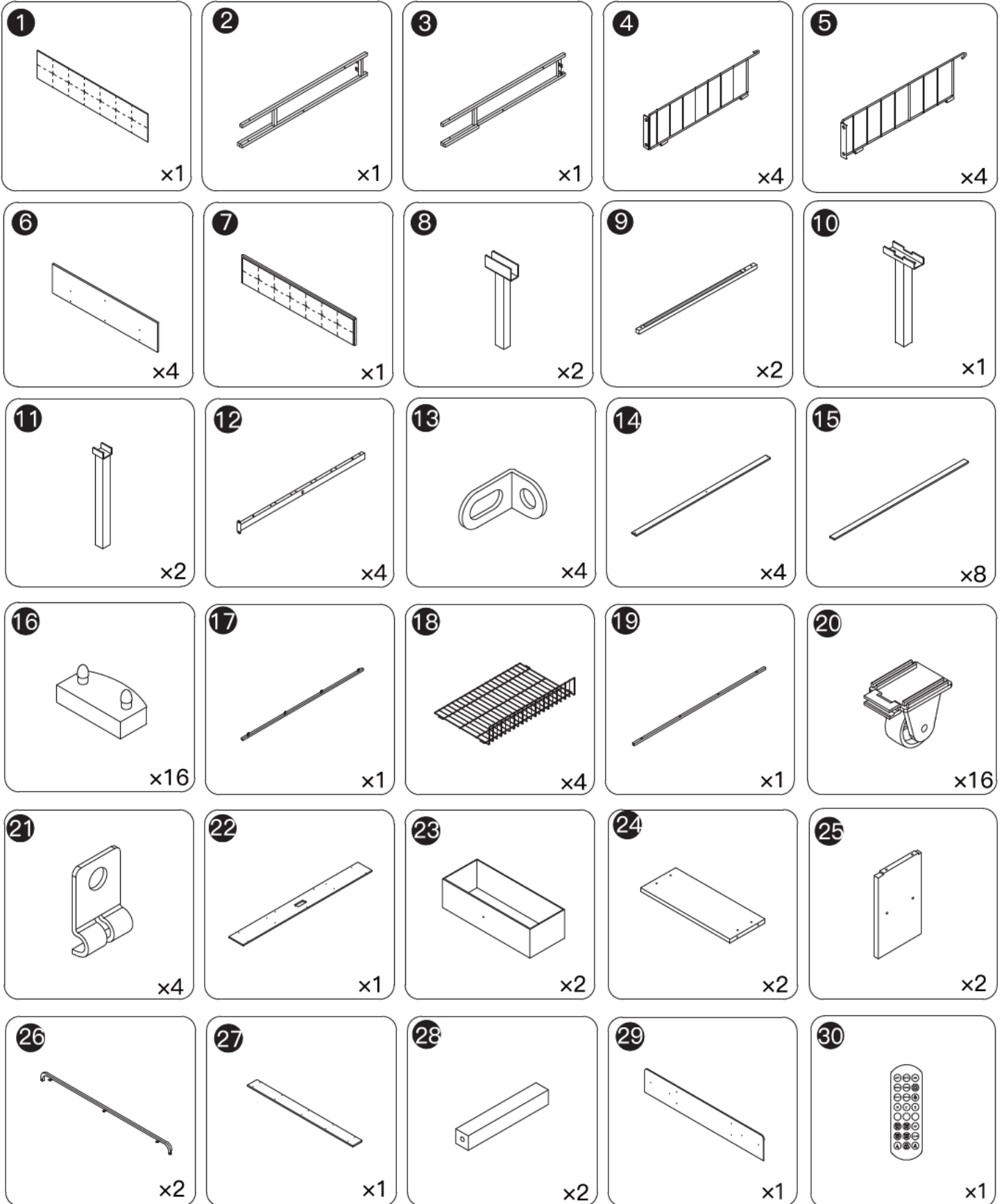
- Please check you have all hardware before assembling.
- Please ensure you have the name of the item and hardware part required and quantity.
- If you have any questions, please contact us by original purchase platform. we will reply you ASAP.

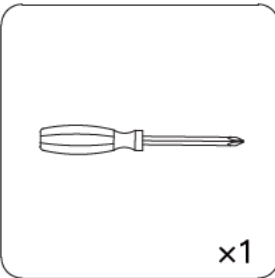
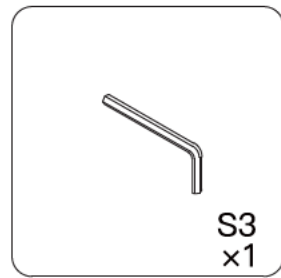
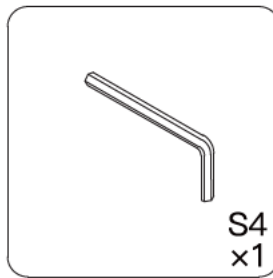
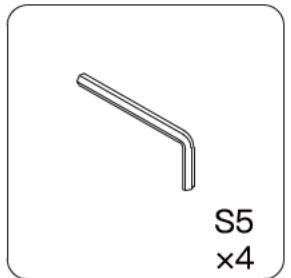
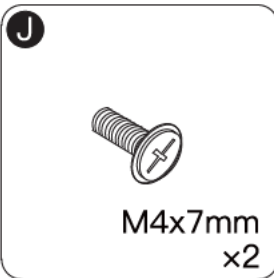
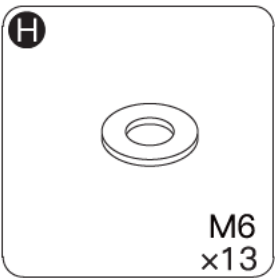
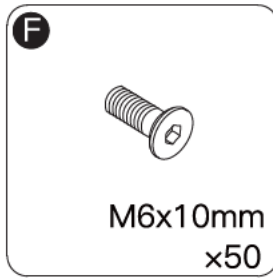
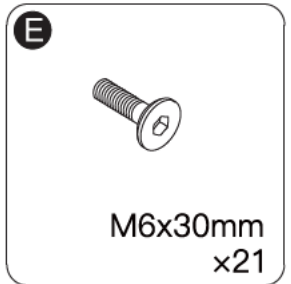
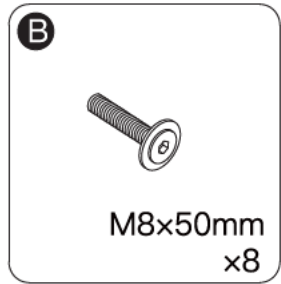
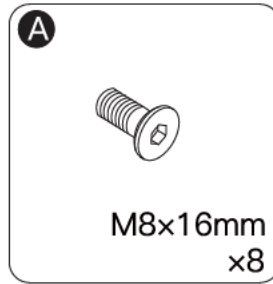
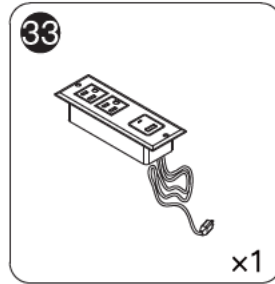
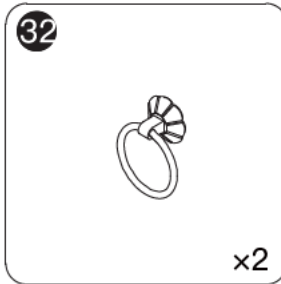
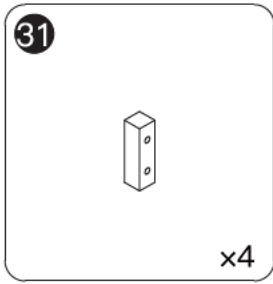


Please check all parts and accessories according to the parts list before assembling, make sure all contents are sufficient and in good condition.

If there is any parts missing or defective, please contact us immediately with purchase platform message to get replacement parts.

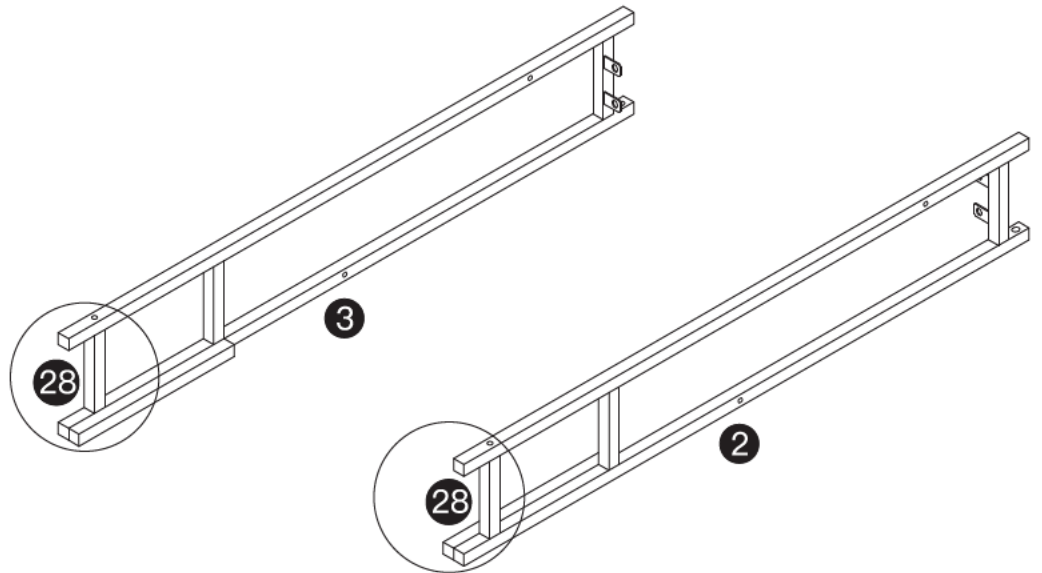
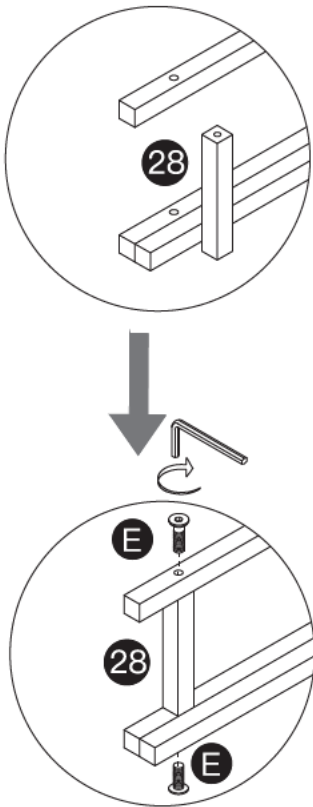
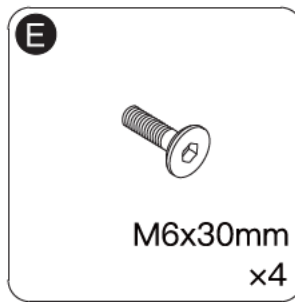
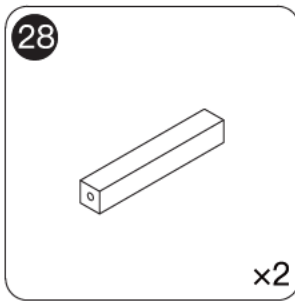
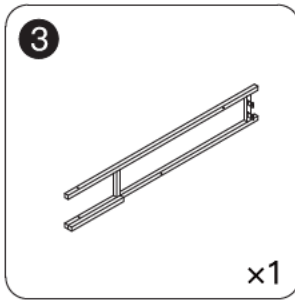
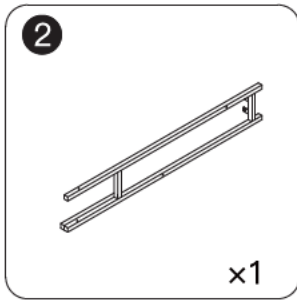
PARTS:





HOW TO INSTALL

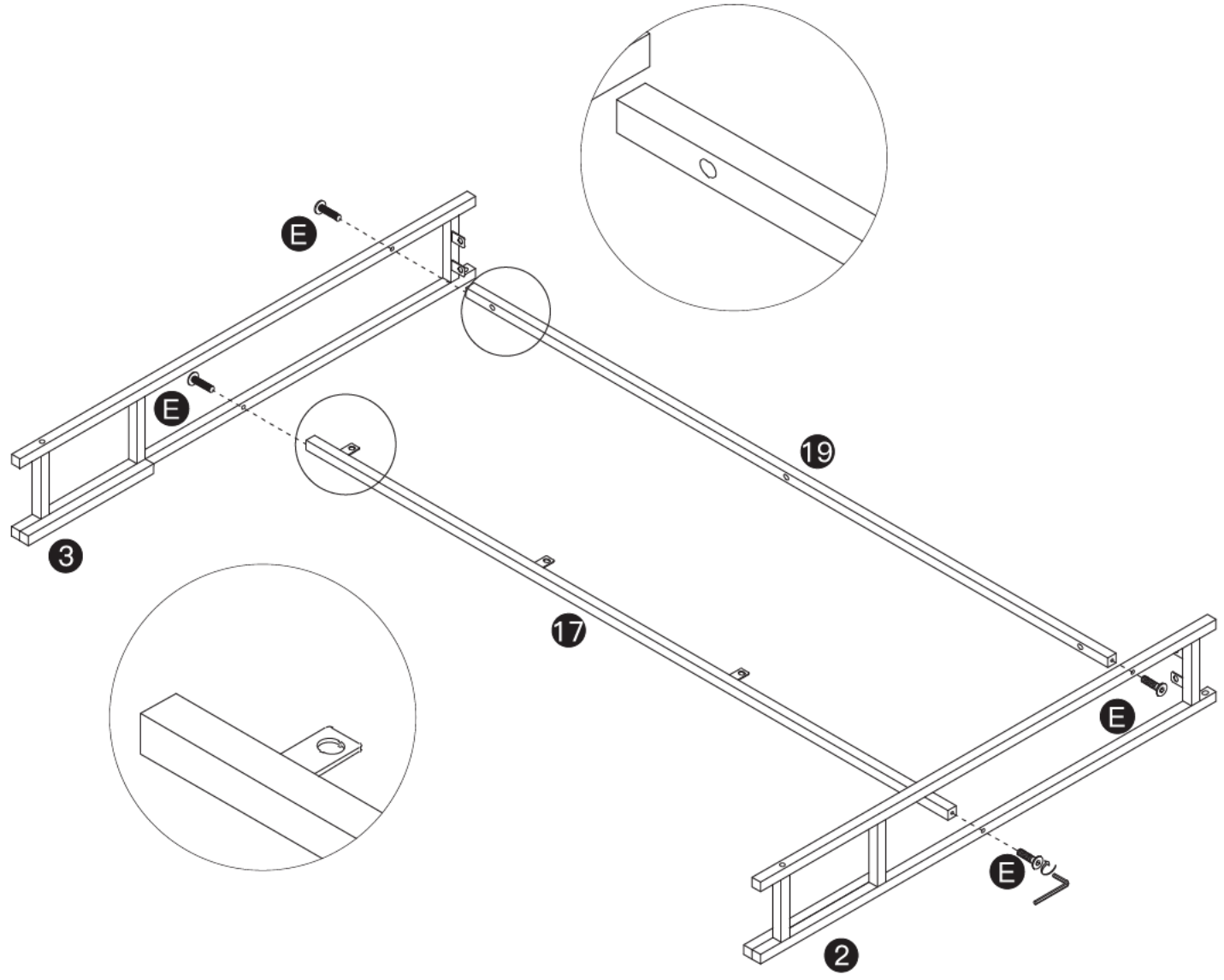
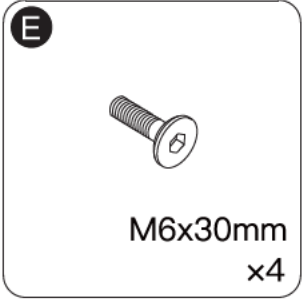
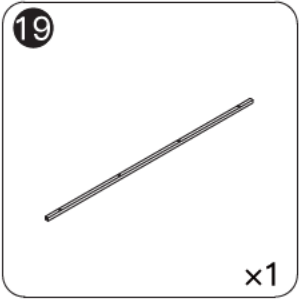
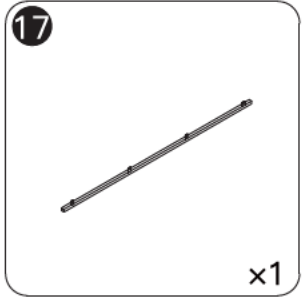
STEP 1



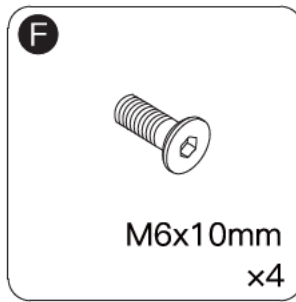
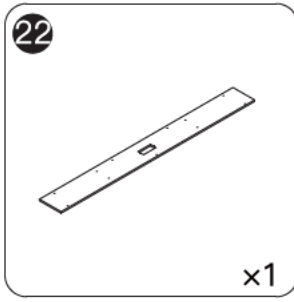
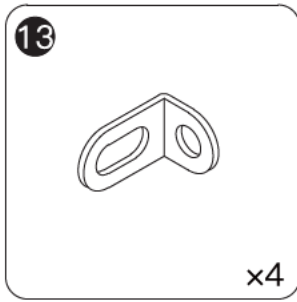
NOTICE:

Please put the part 28 into the part 2 & 3, use part E to screw them.

STEP 2

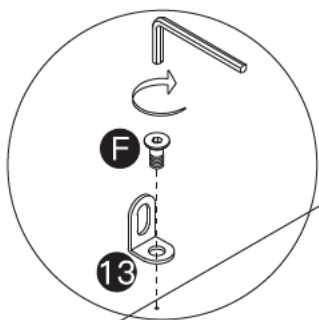
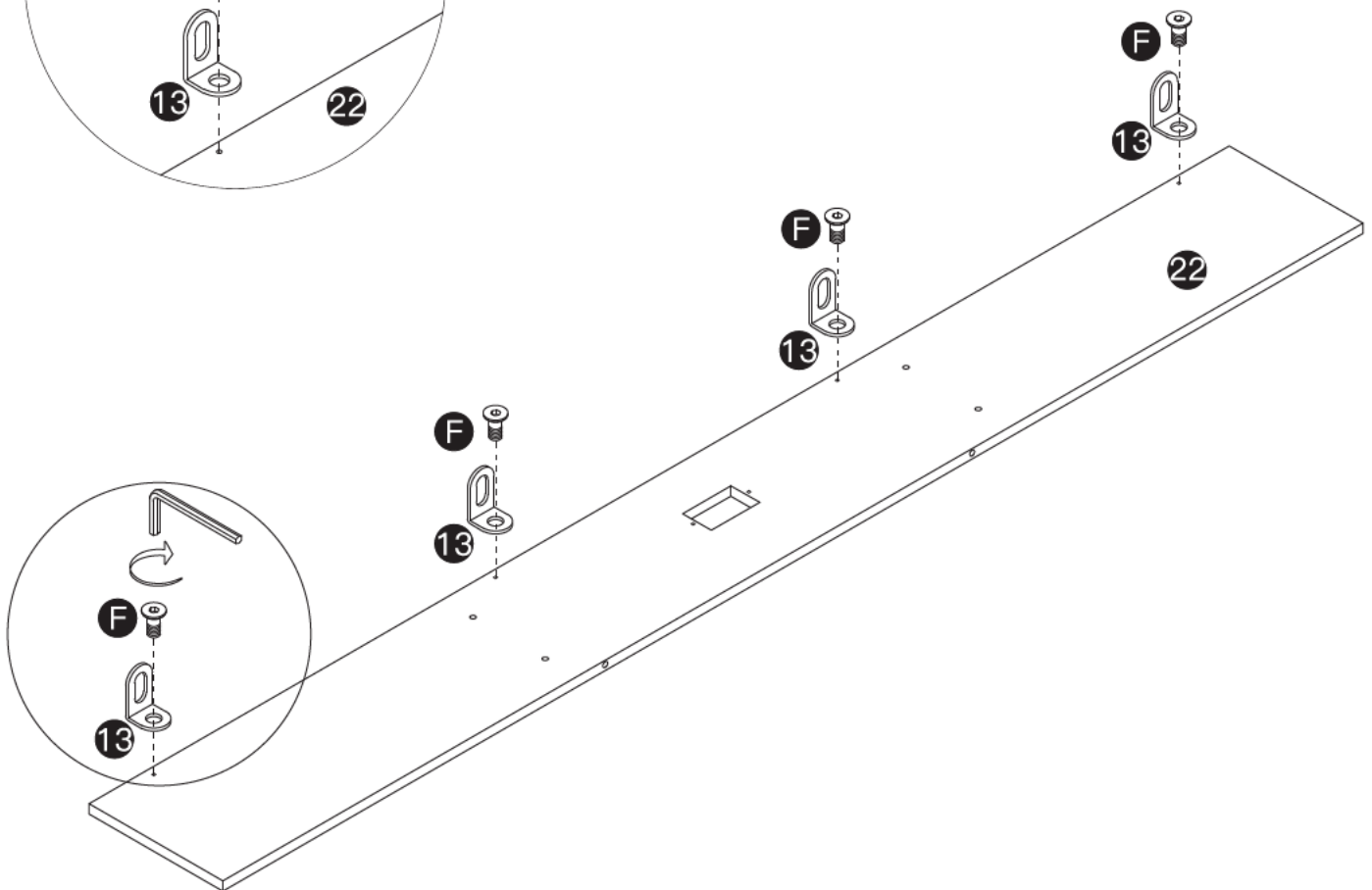
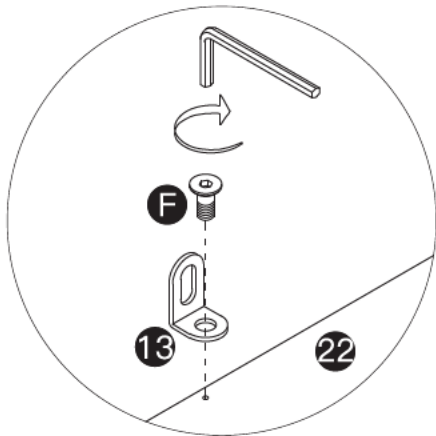


STEP 3



NOTICE:

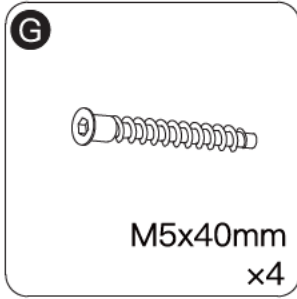
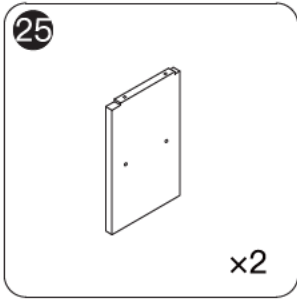
Make sure the shorter side of part 13 is installed on part 22 .



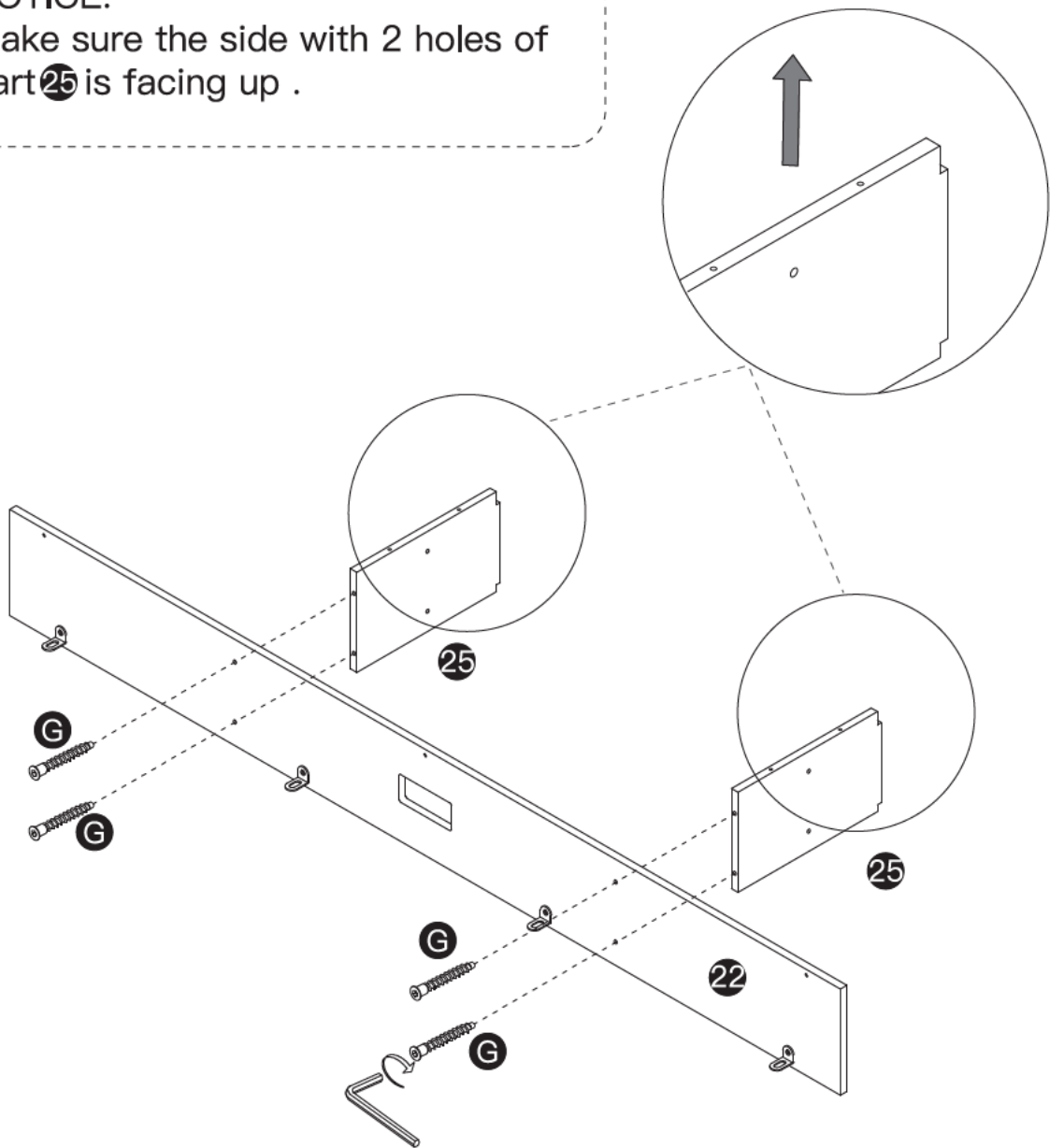
NOTICE:

Please don't tighten part F until all frames are installed .

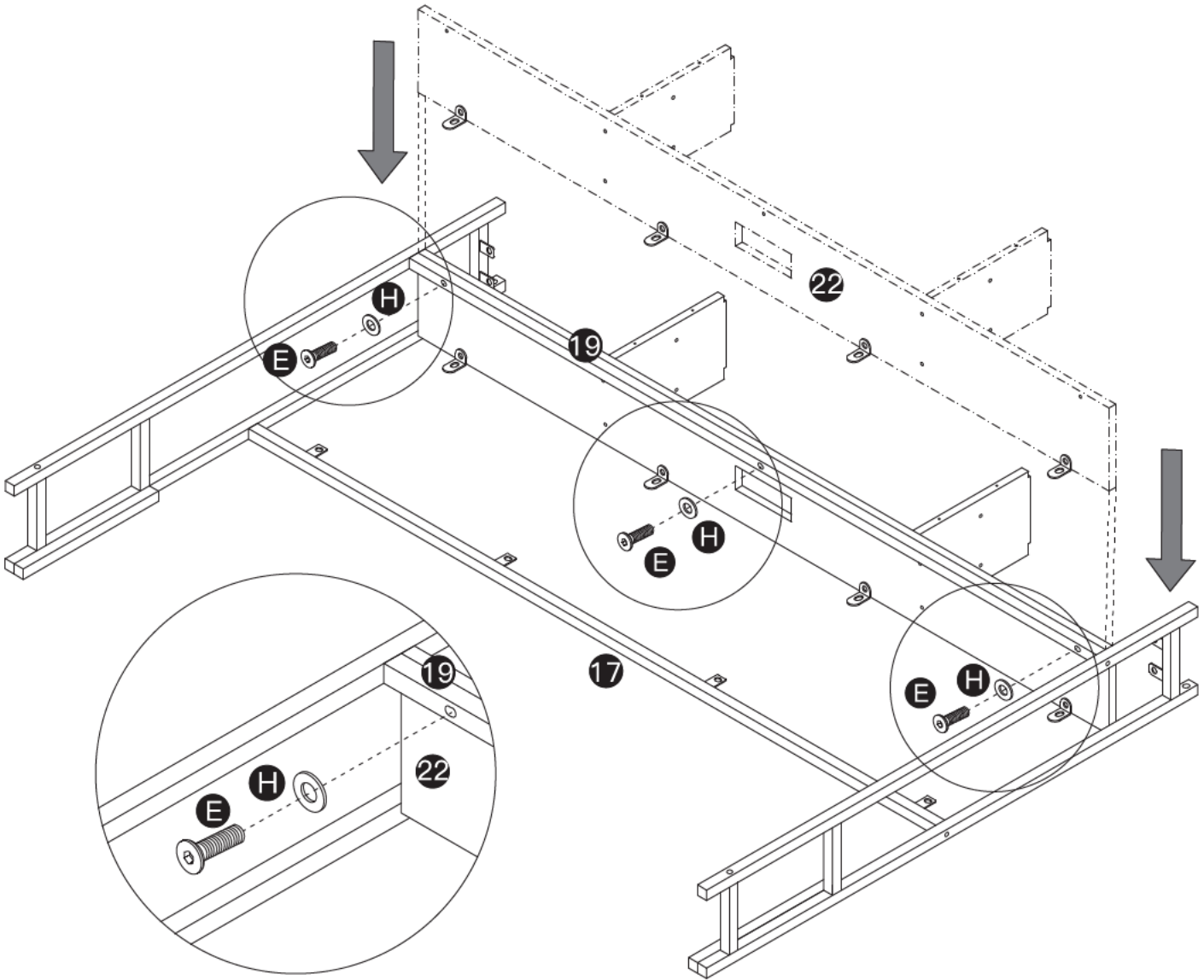
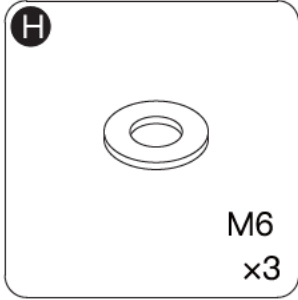
STEP 4



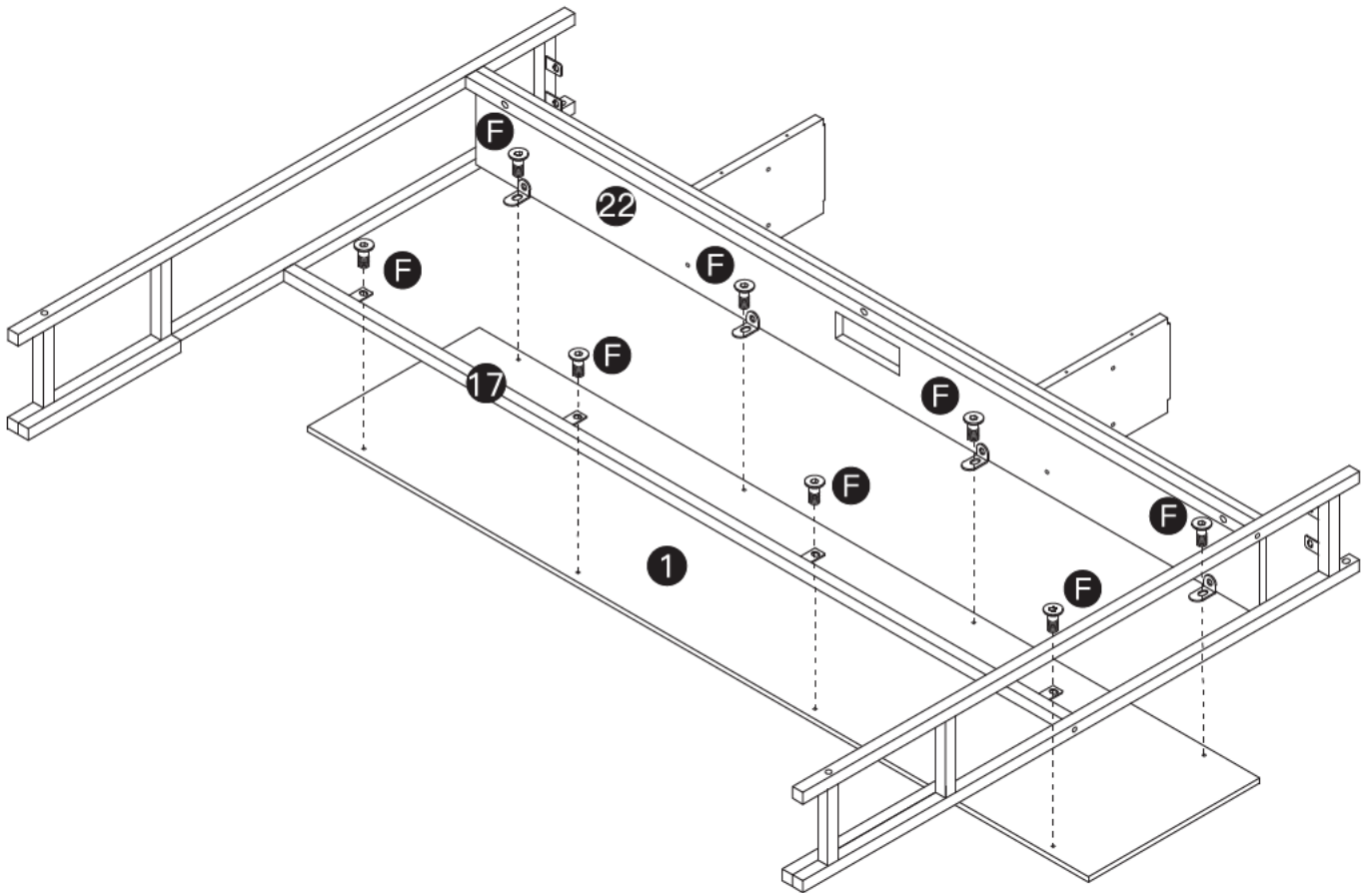
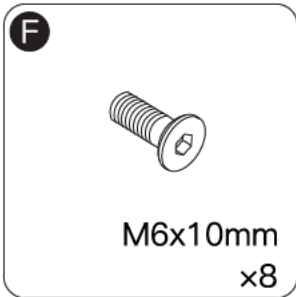
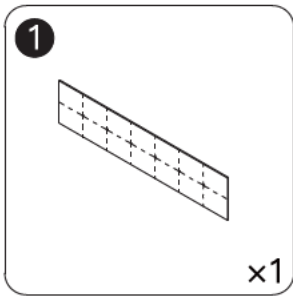
NOTICE:
Make sure the side with 2 holes of part 25 is facing up .



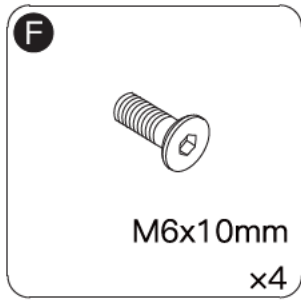
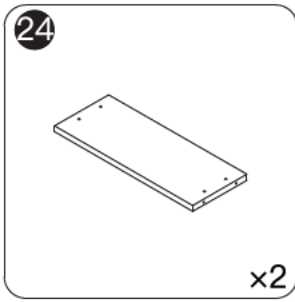
STEP 5



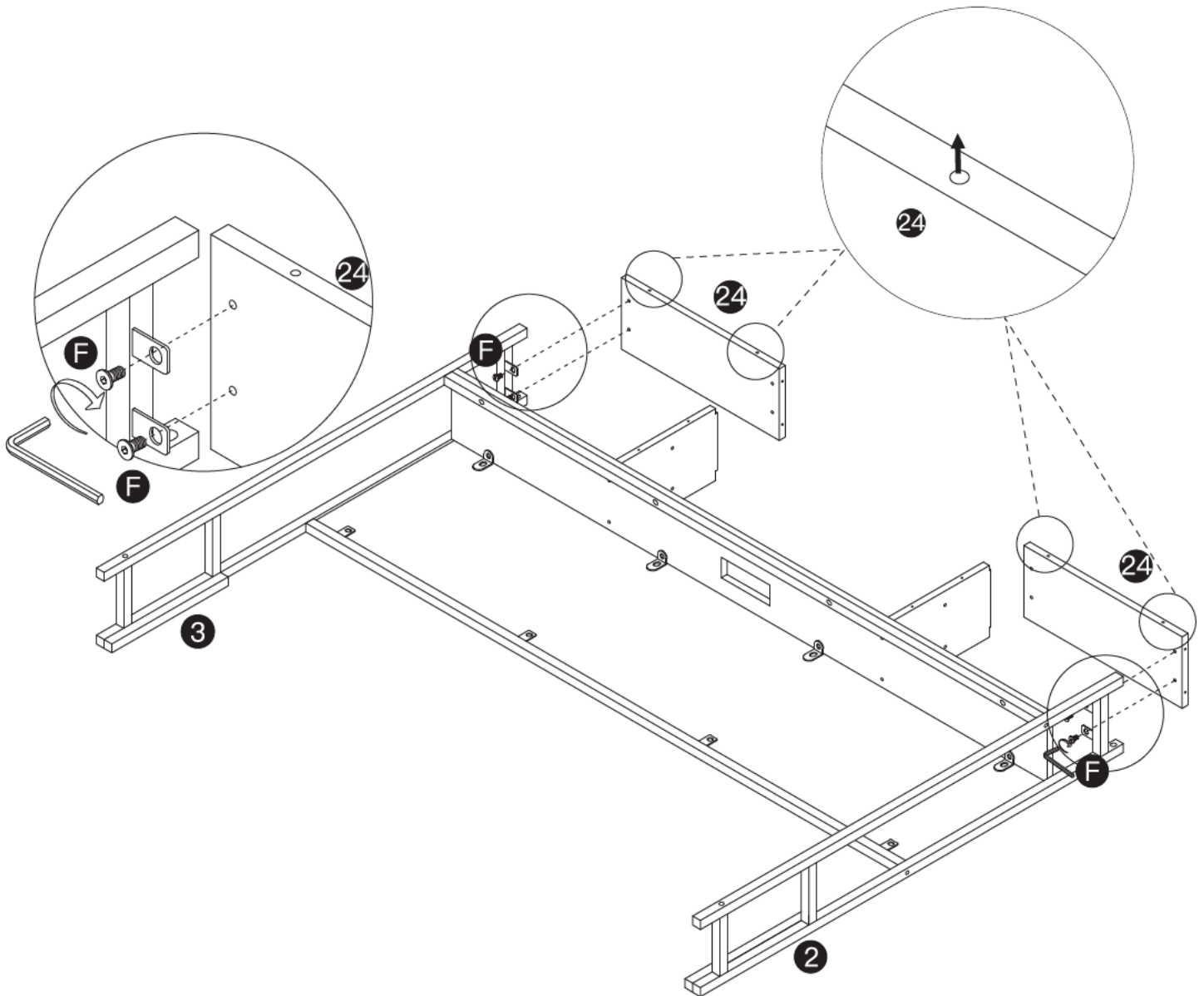
STEP 6



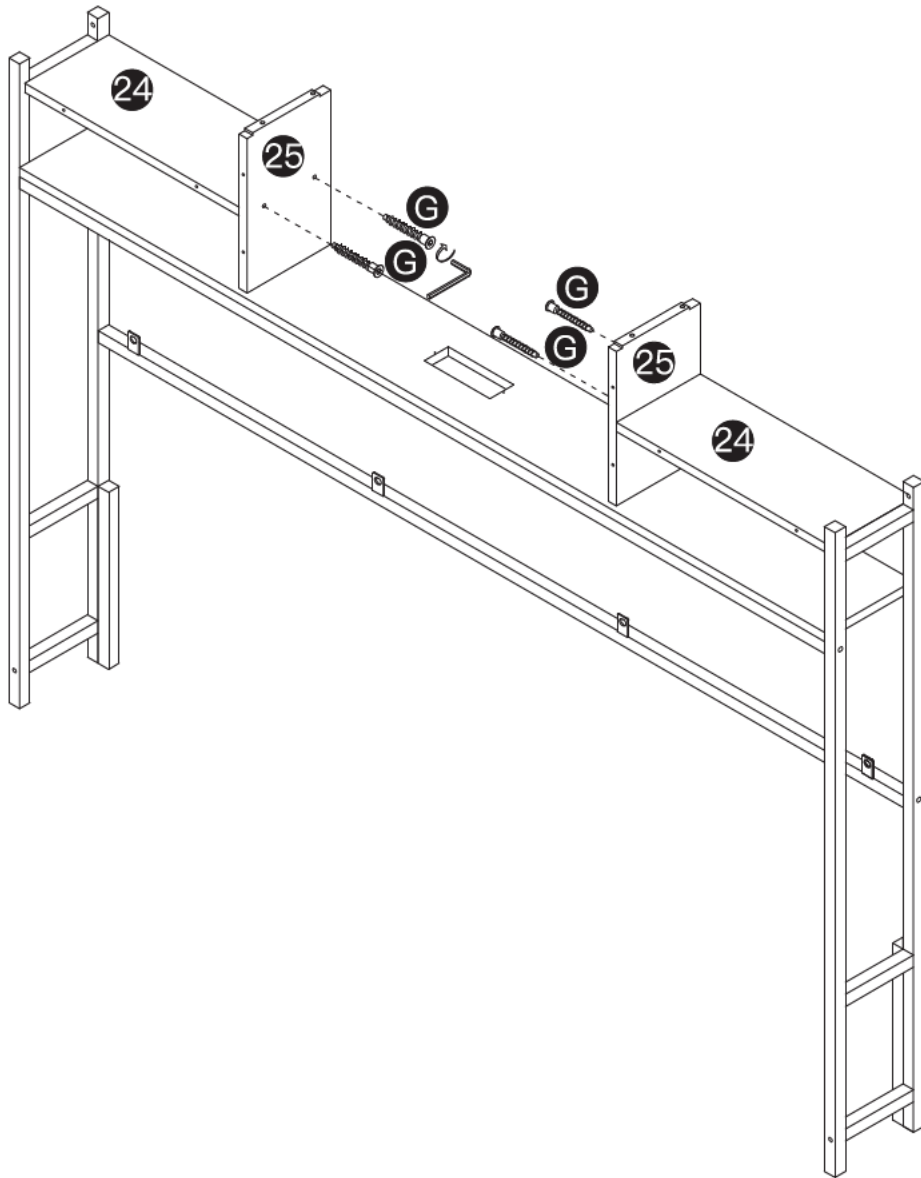
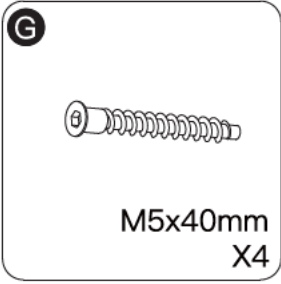
STEP 7



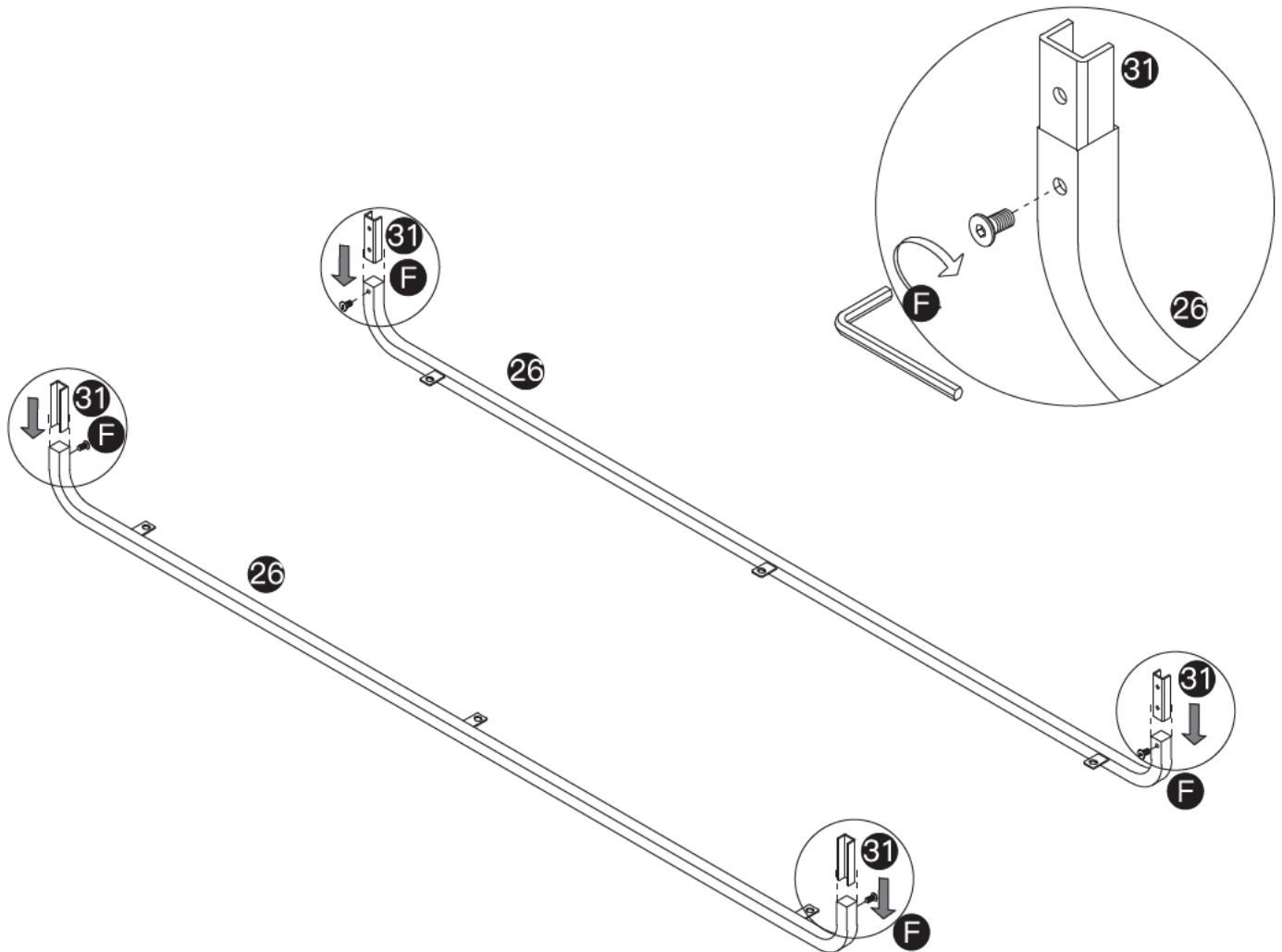
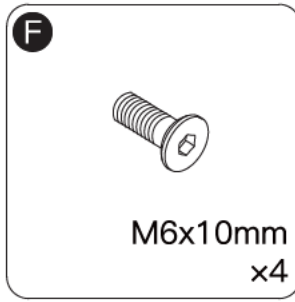
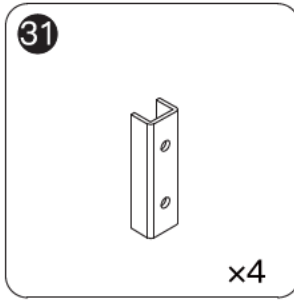
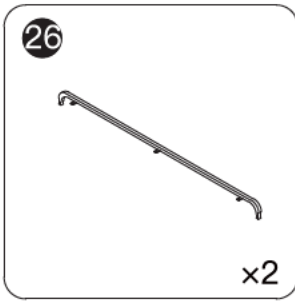
NOTICE:
Make sure the holes in part 24 are facing up.



STEP 8



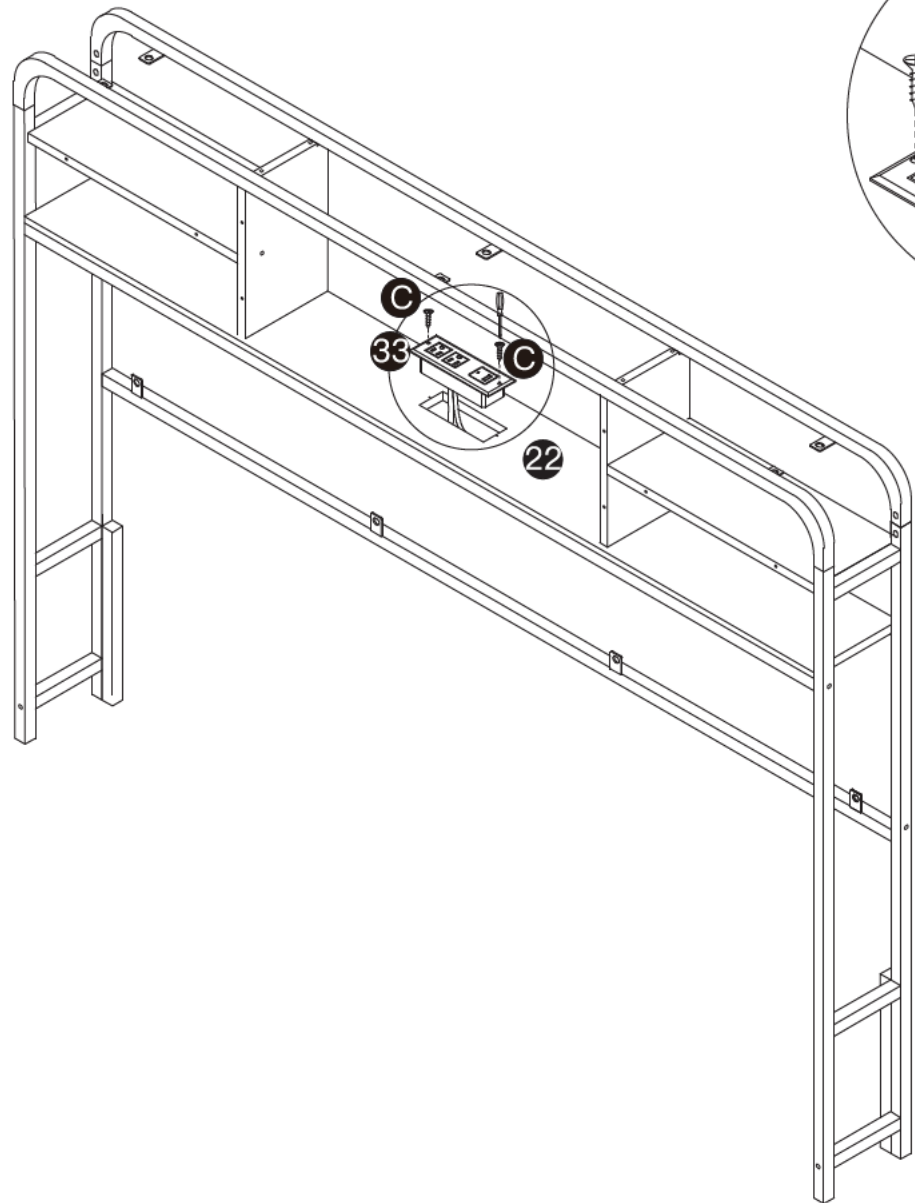
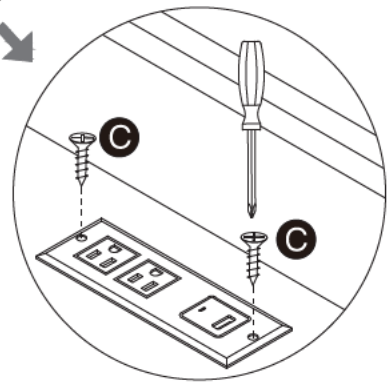
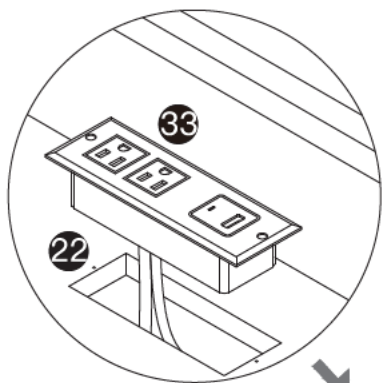
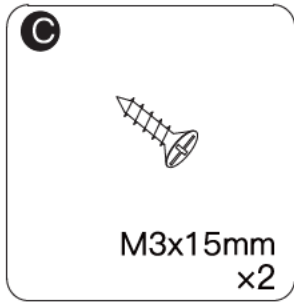
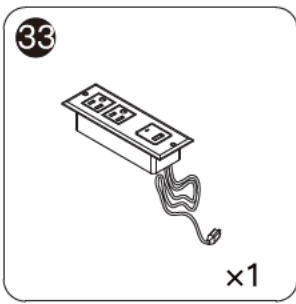
STEP 9



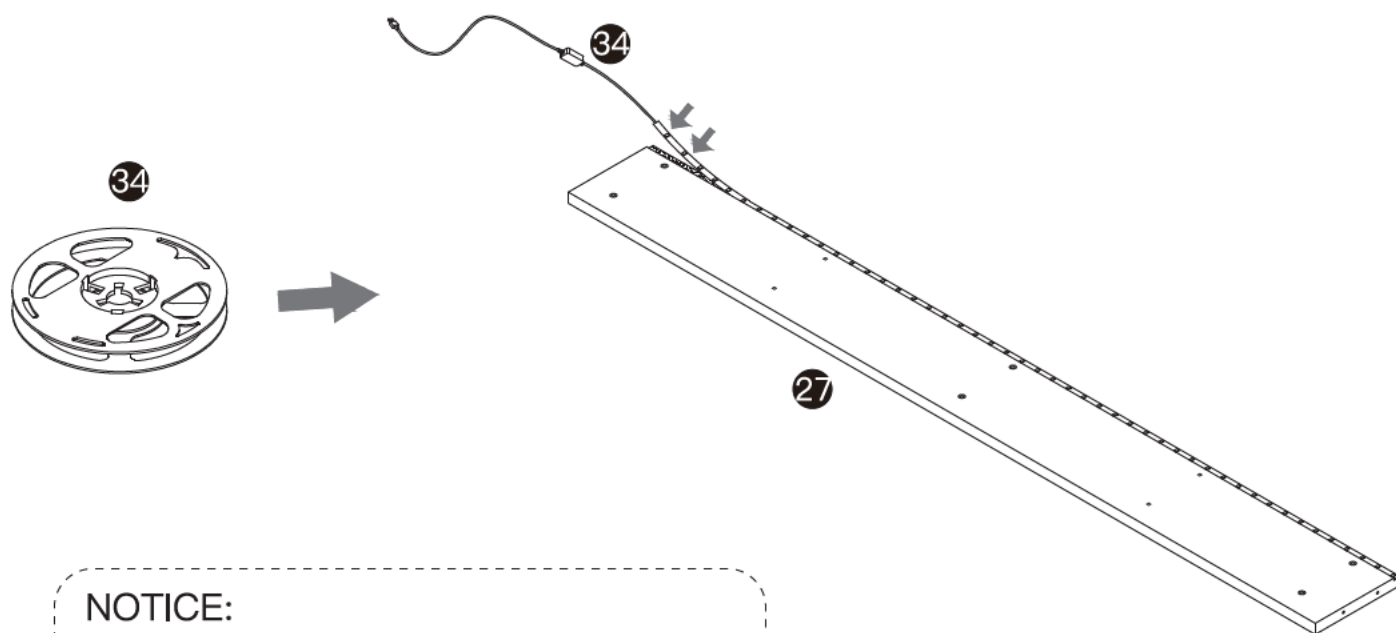
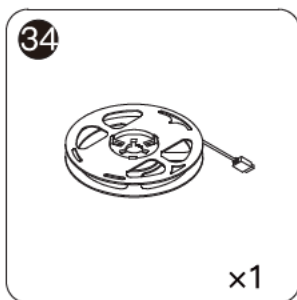
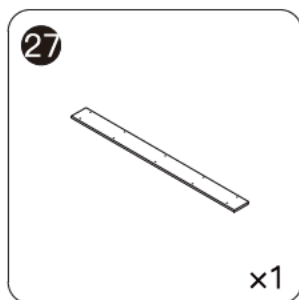
NOTICE:

Please don't tighten part **F** until all frames are installed .

STEP 11



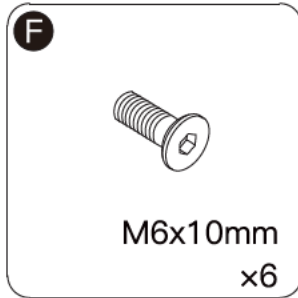
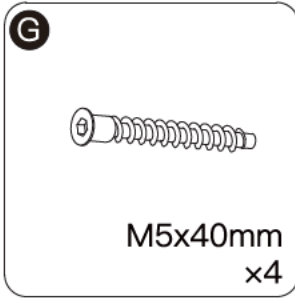
STEP 12



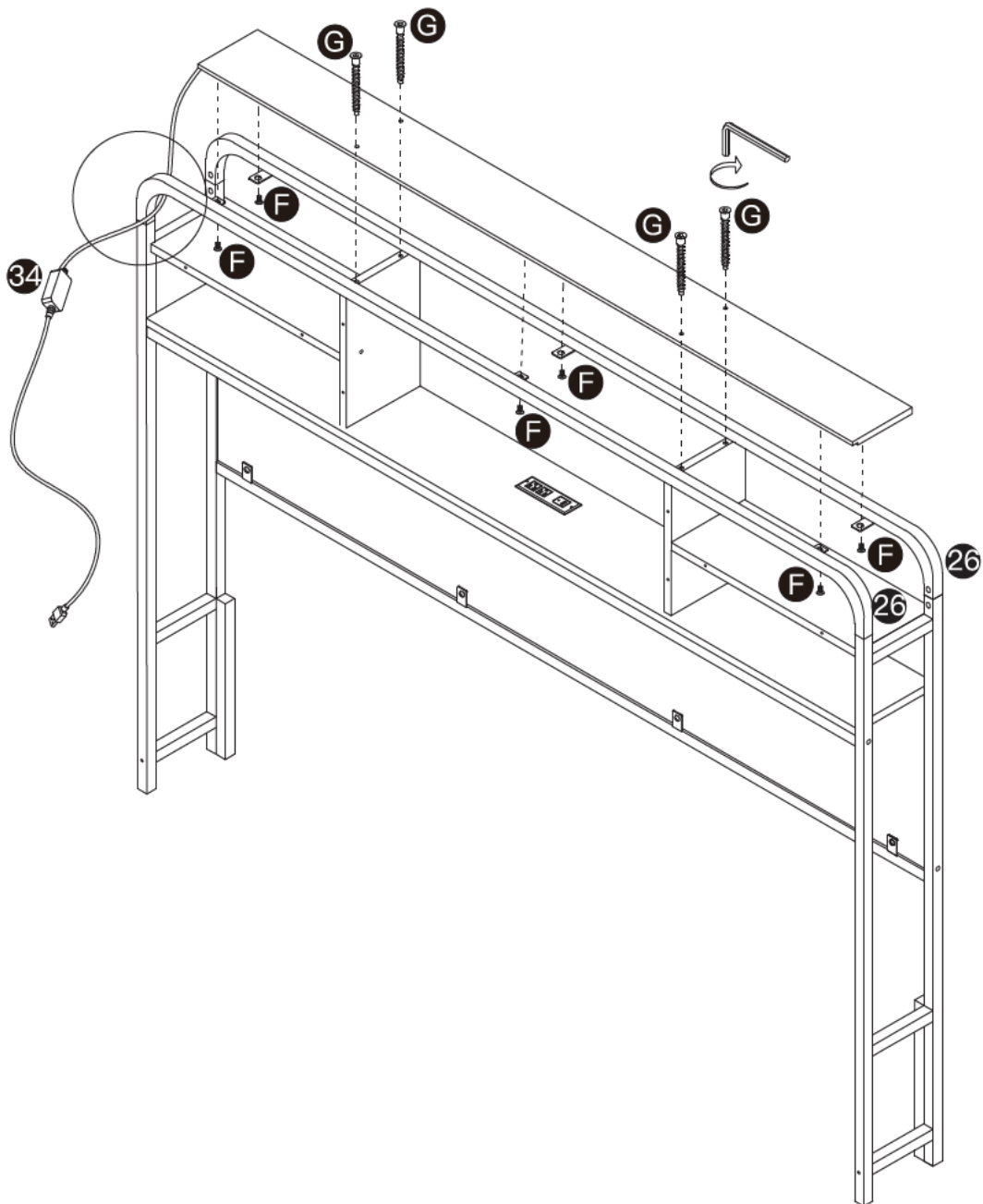
NOTICE:

Unfold the light strip and secure it.

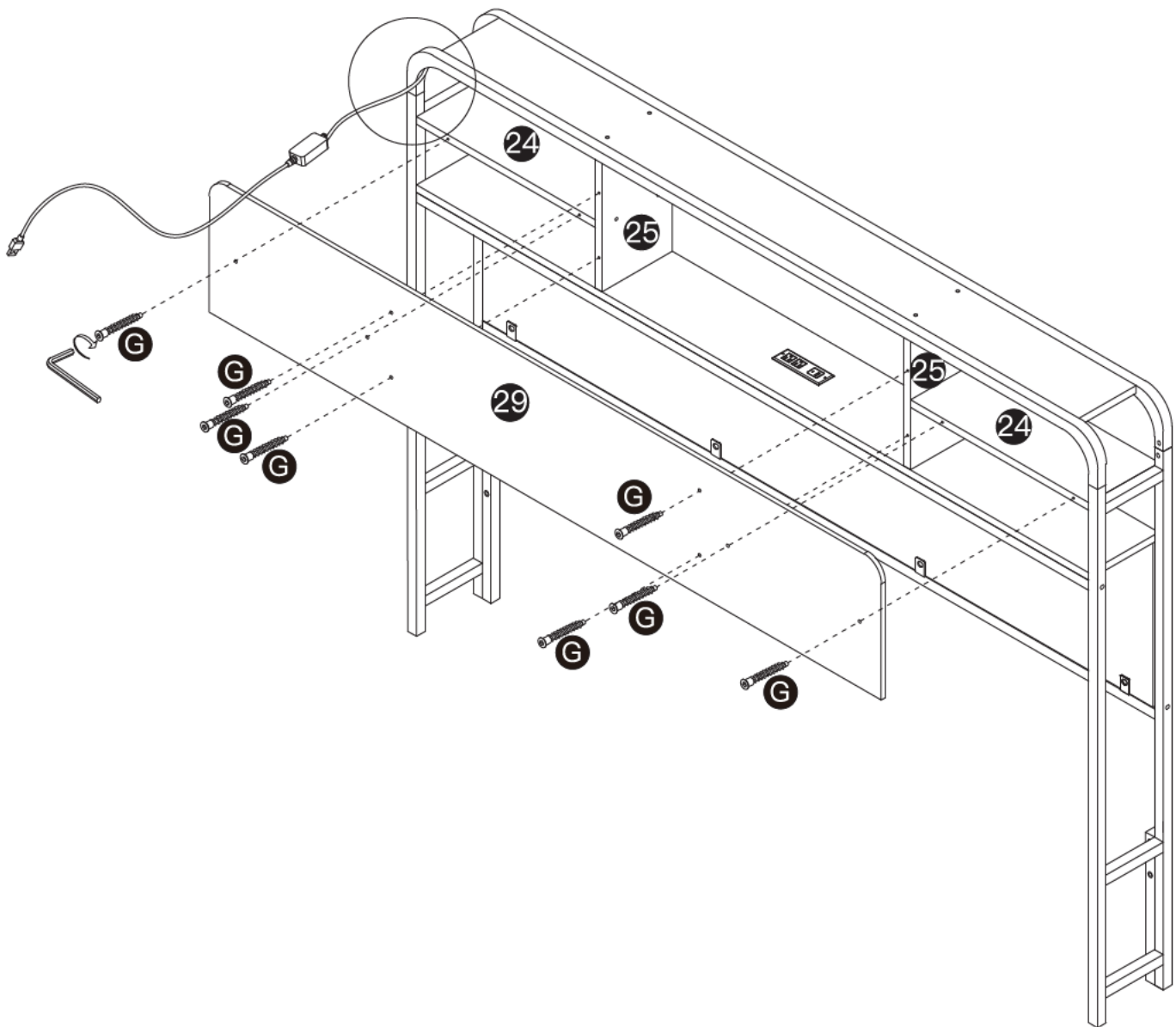
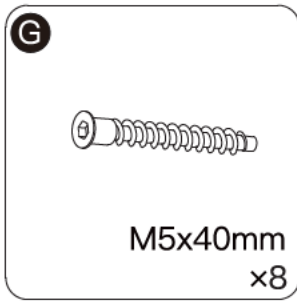
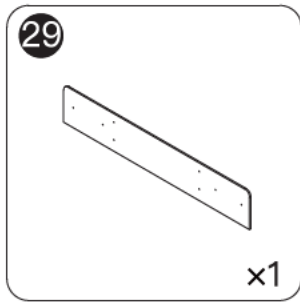
STEP 13



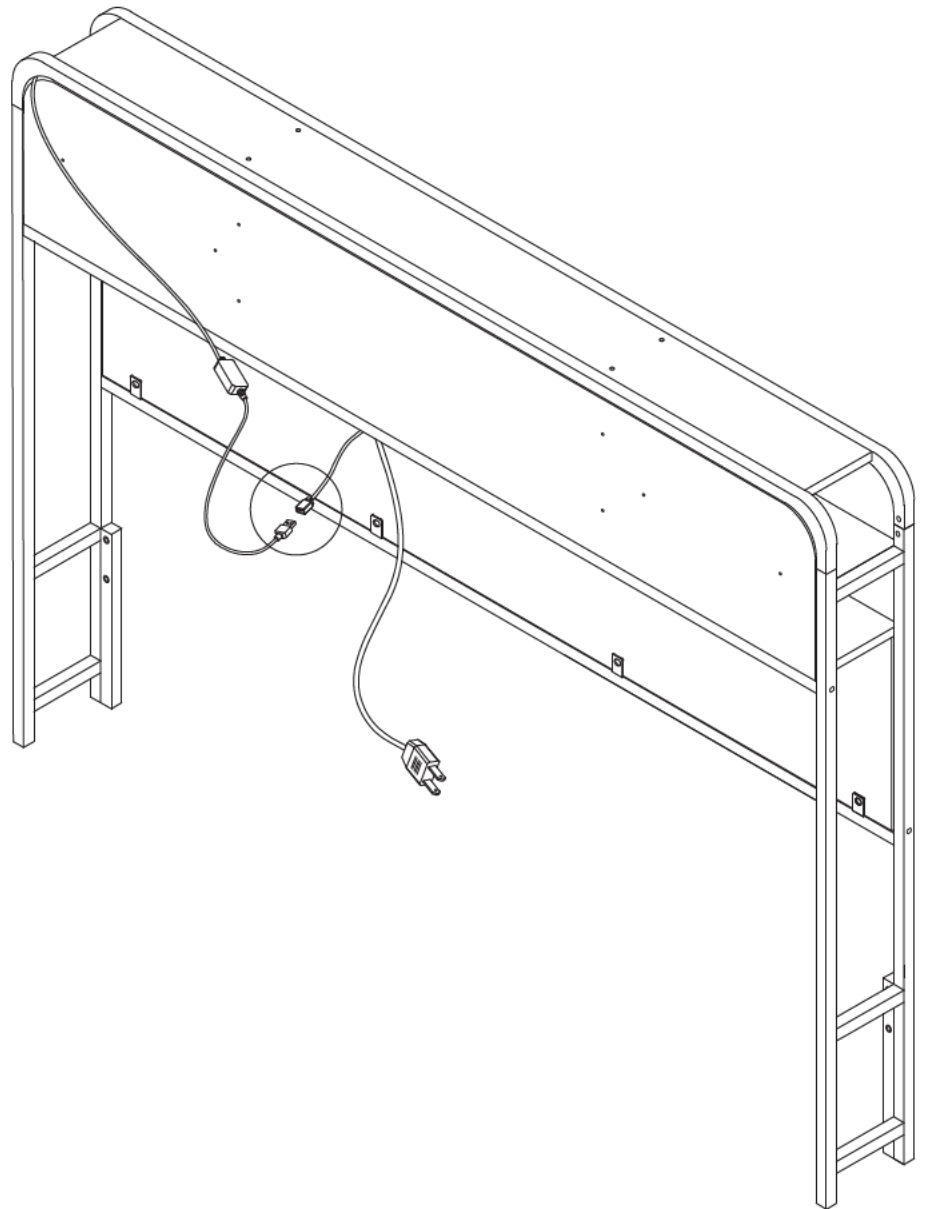
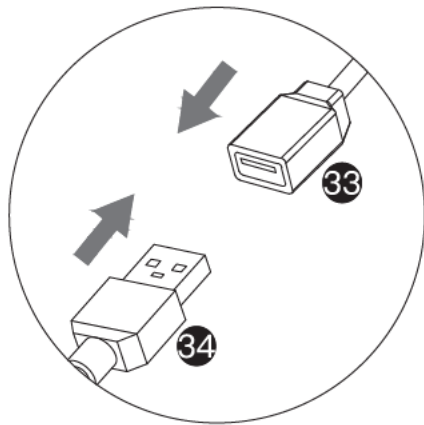
NOTICE:
Part **34** should pass through the circular arc of part **26**.



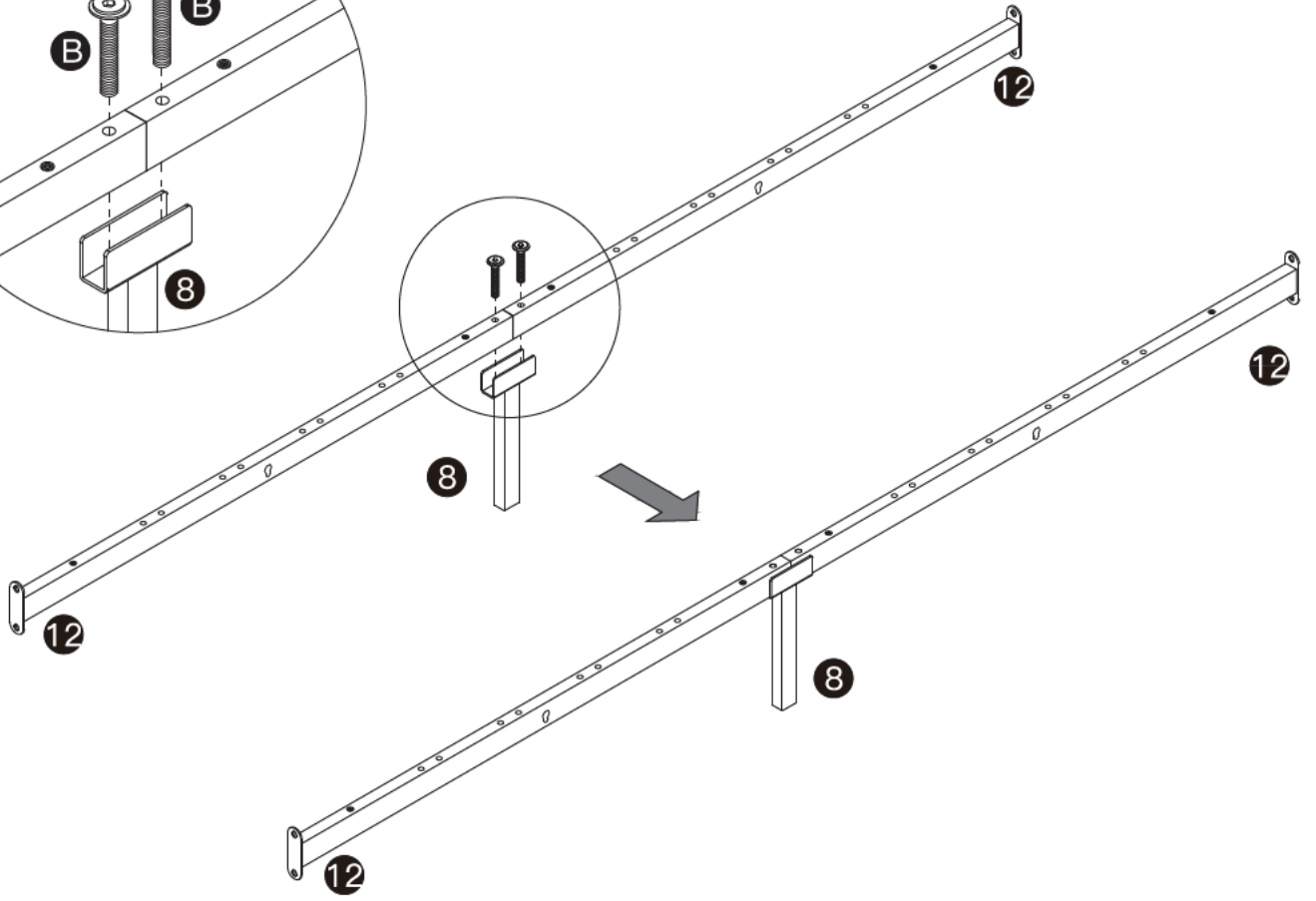
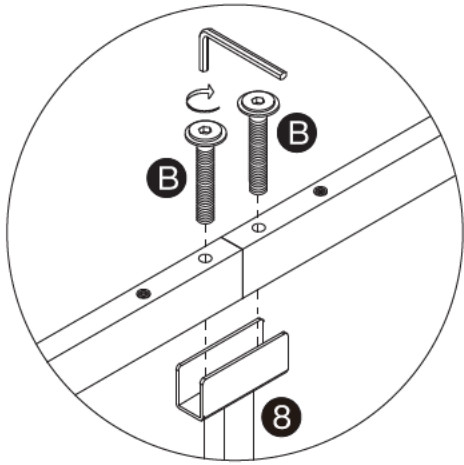
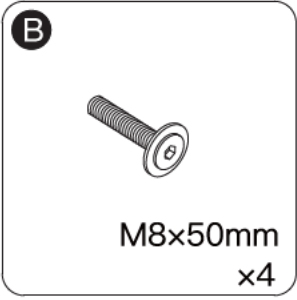
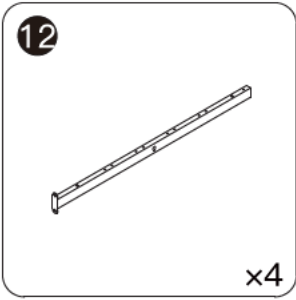
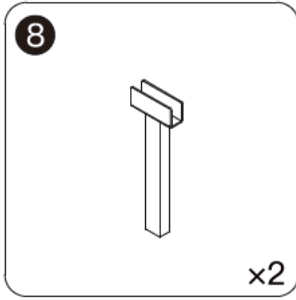
STEP 14



STEP 15

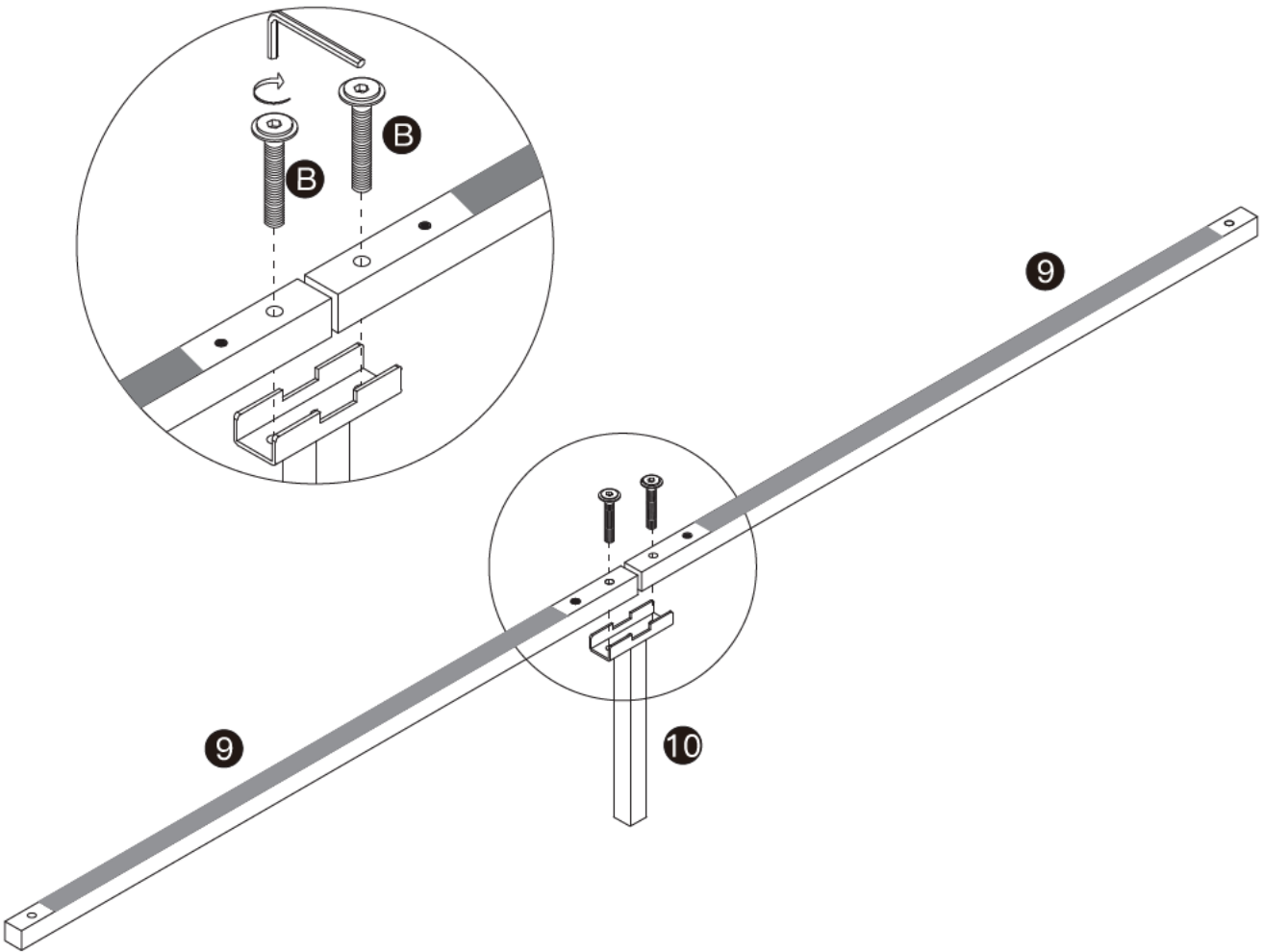
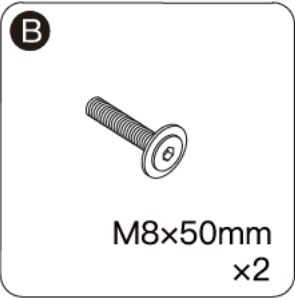
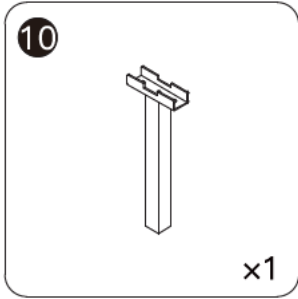
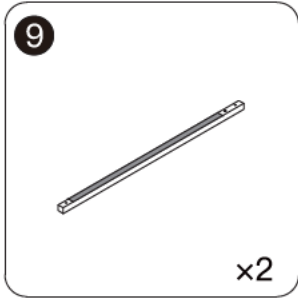


STEP 16

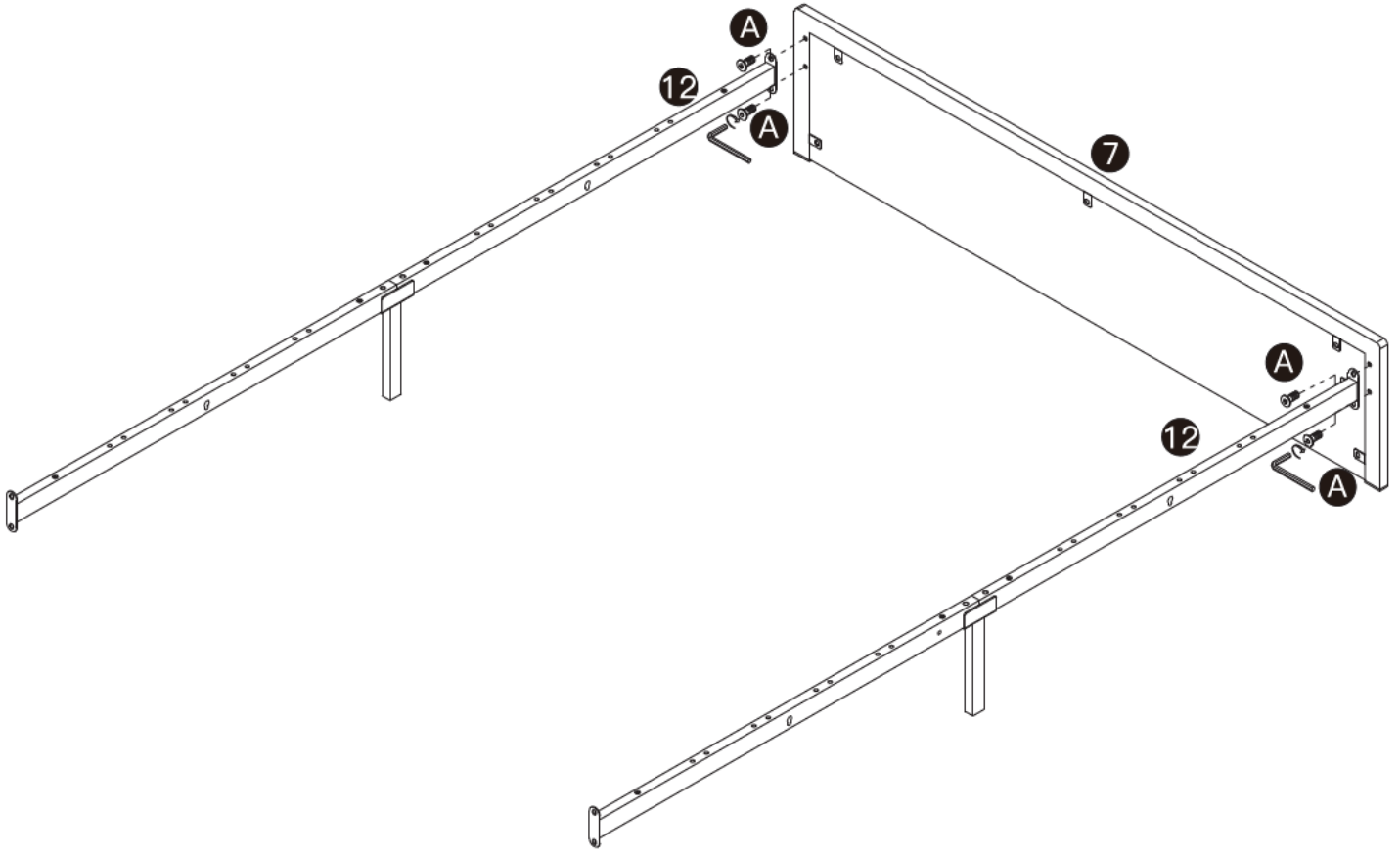
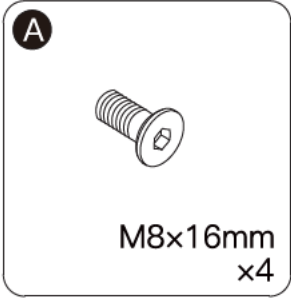
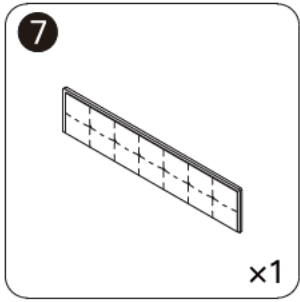


x2

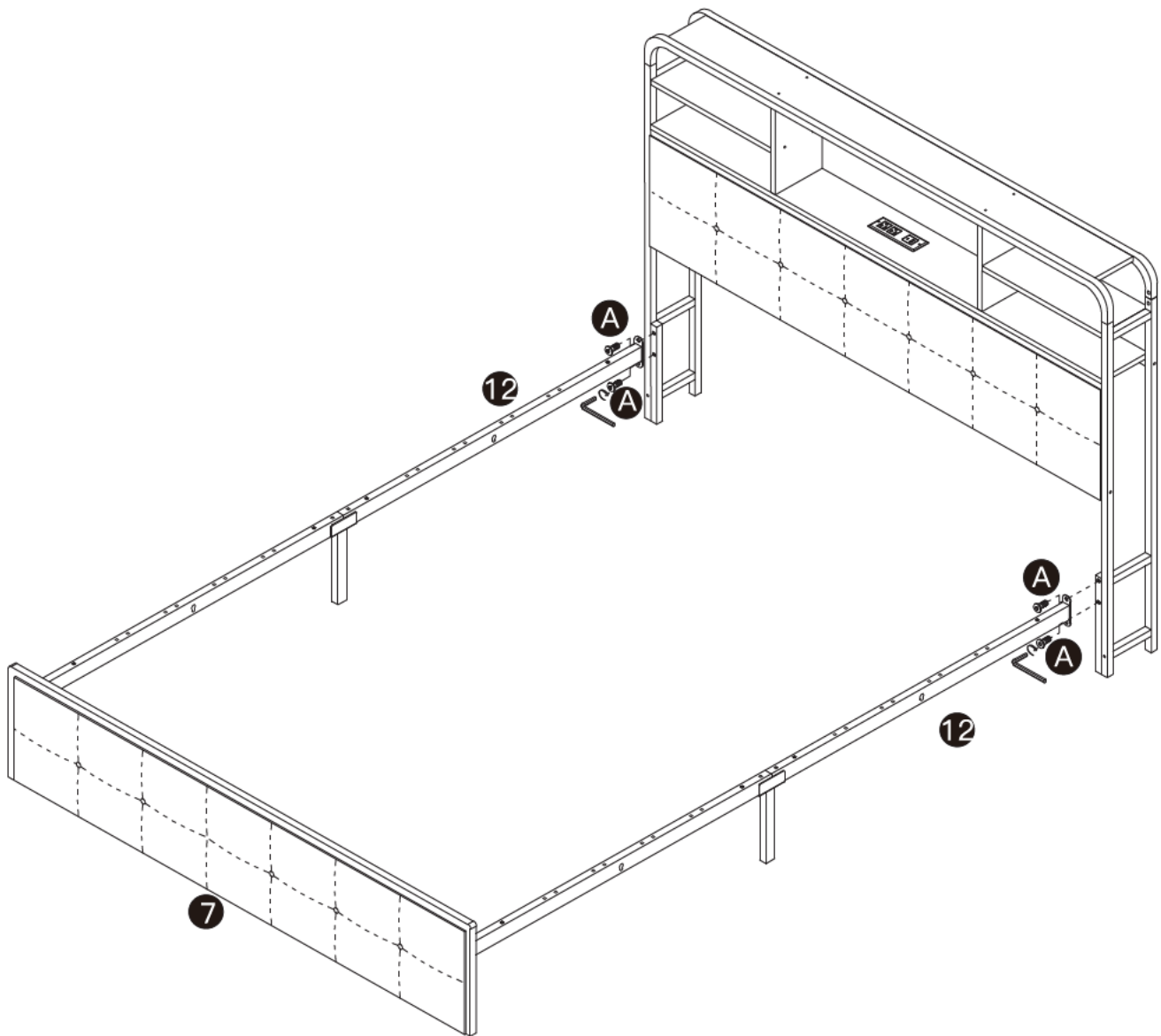
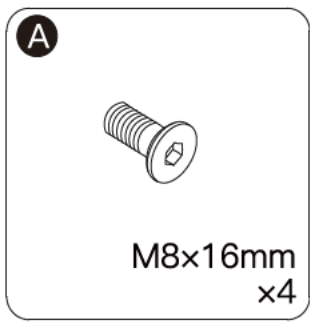
STEP 17



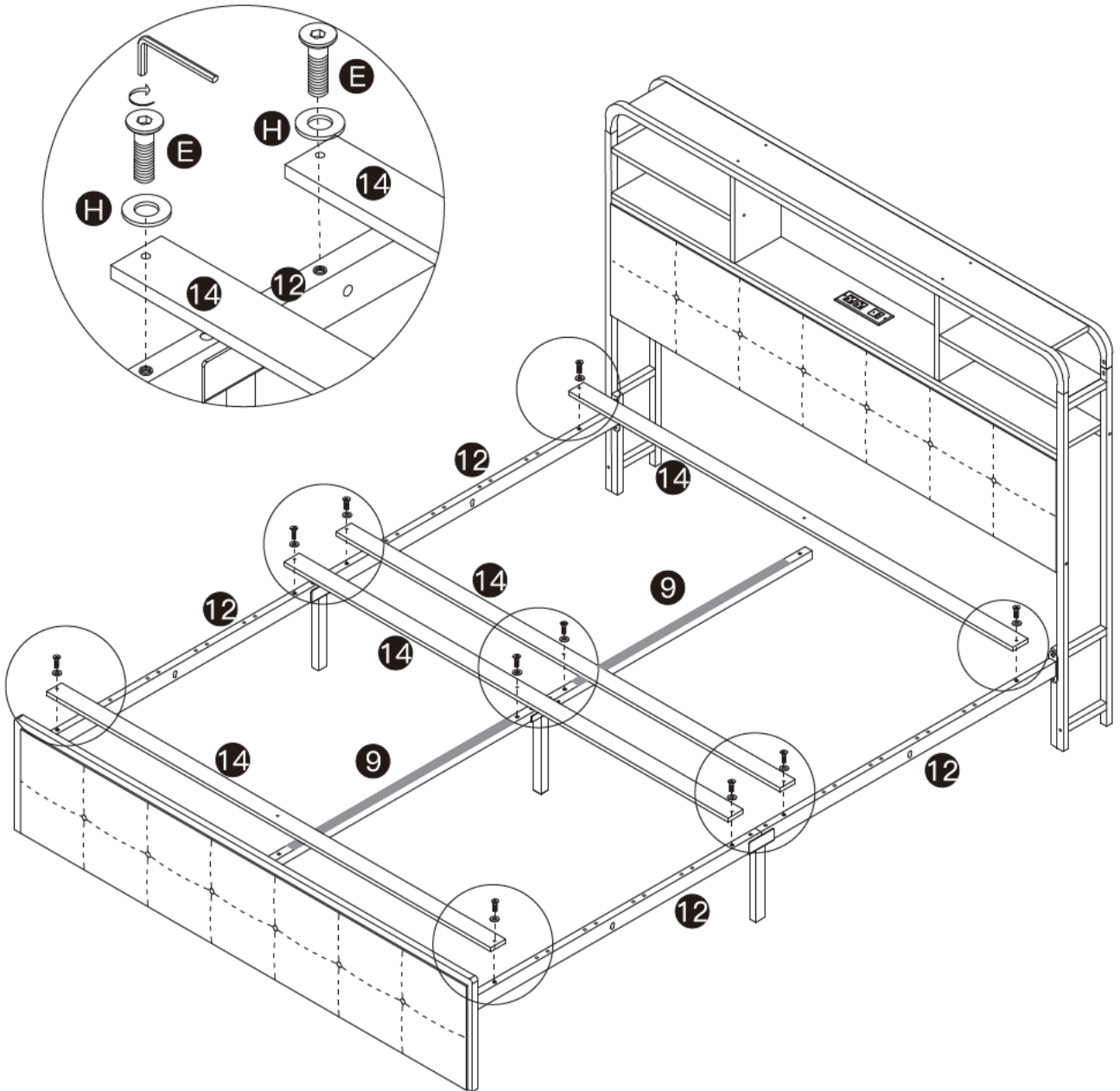
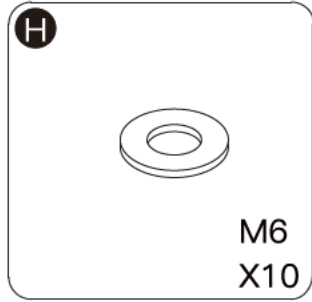
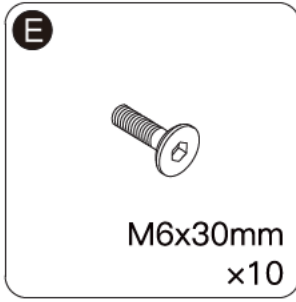
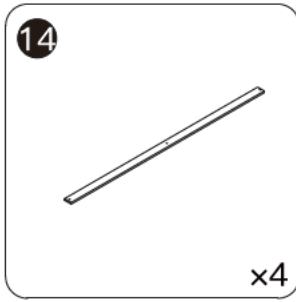
STEP 18



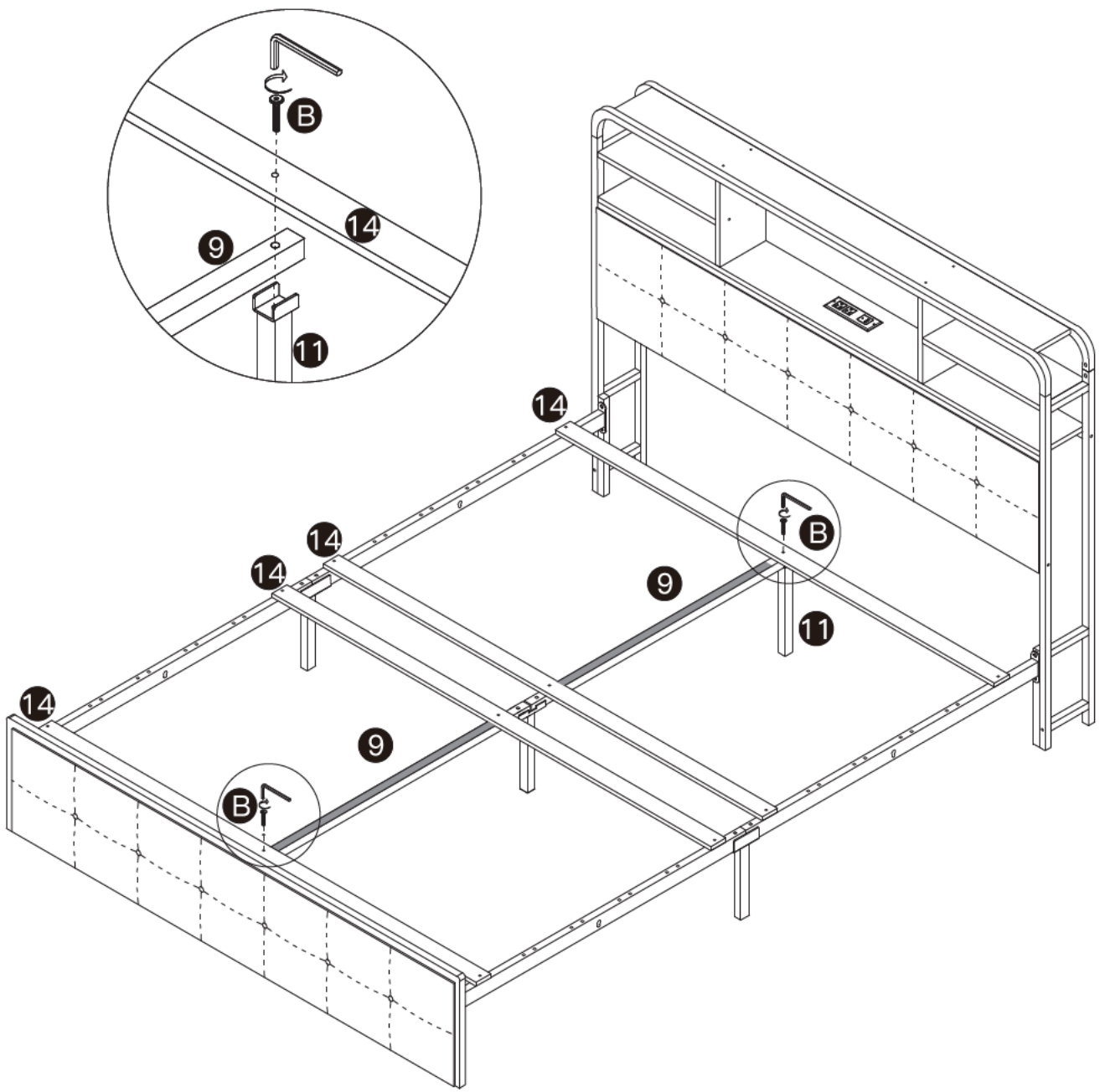
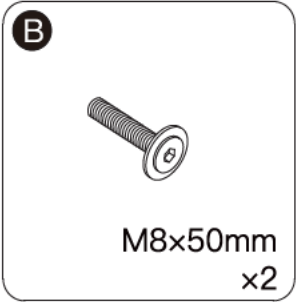
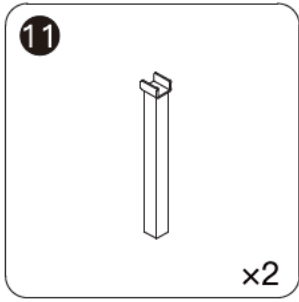
STEP 19



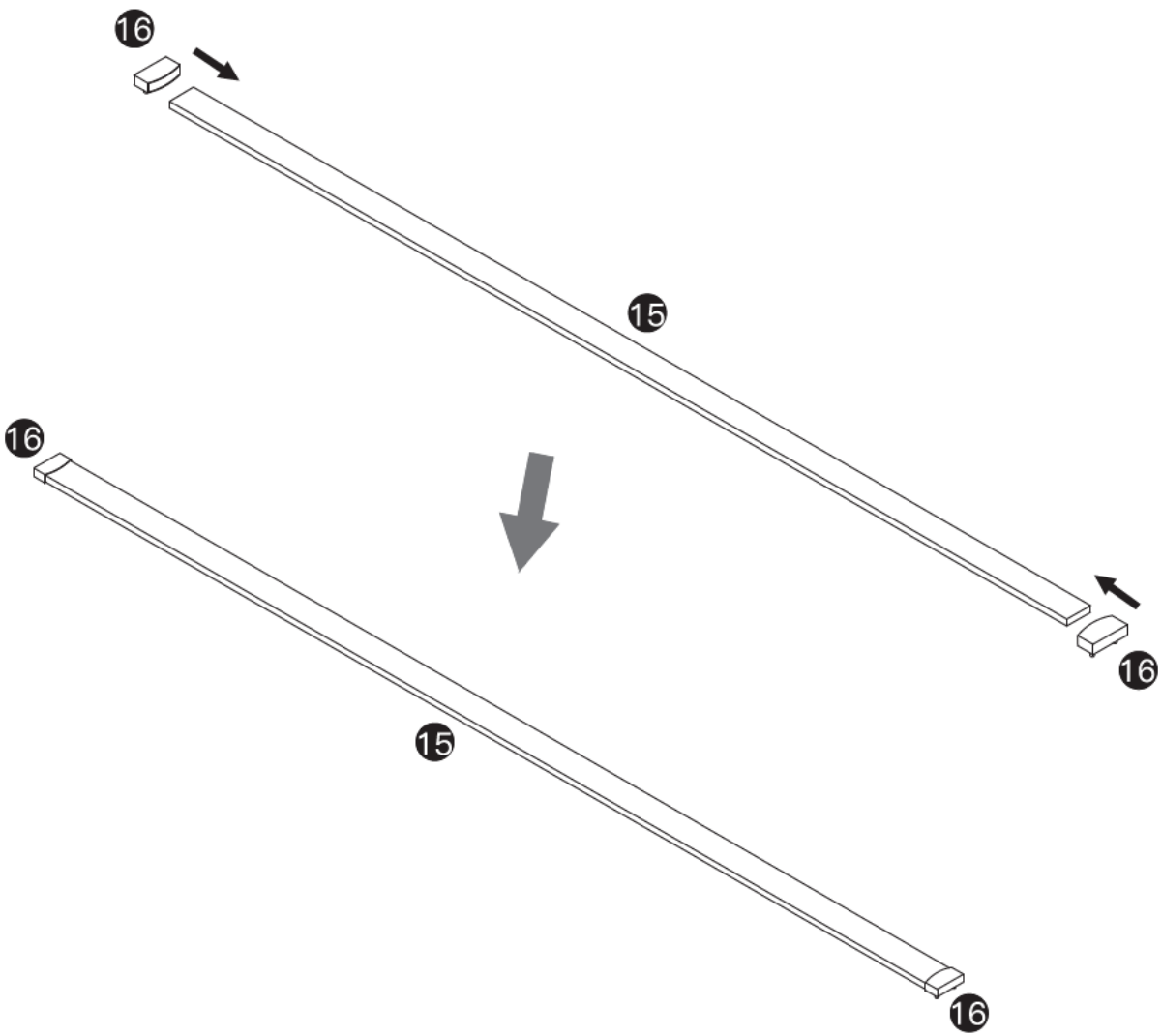
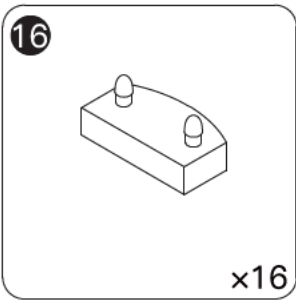
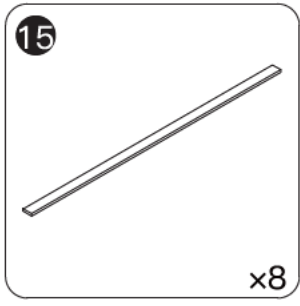
STEP 20



STEP 21

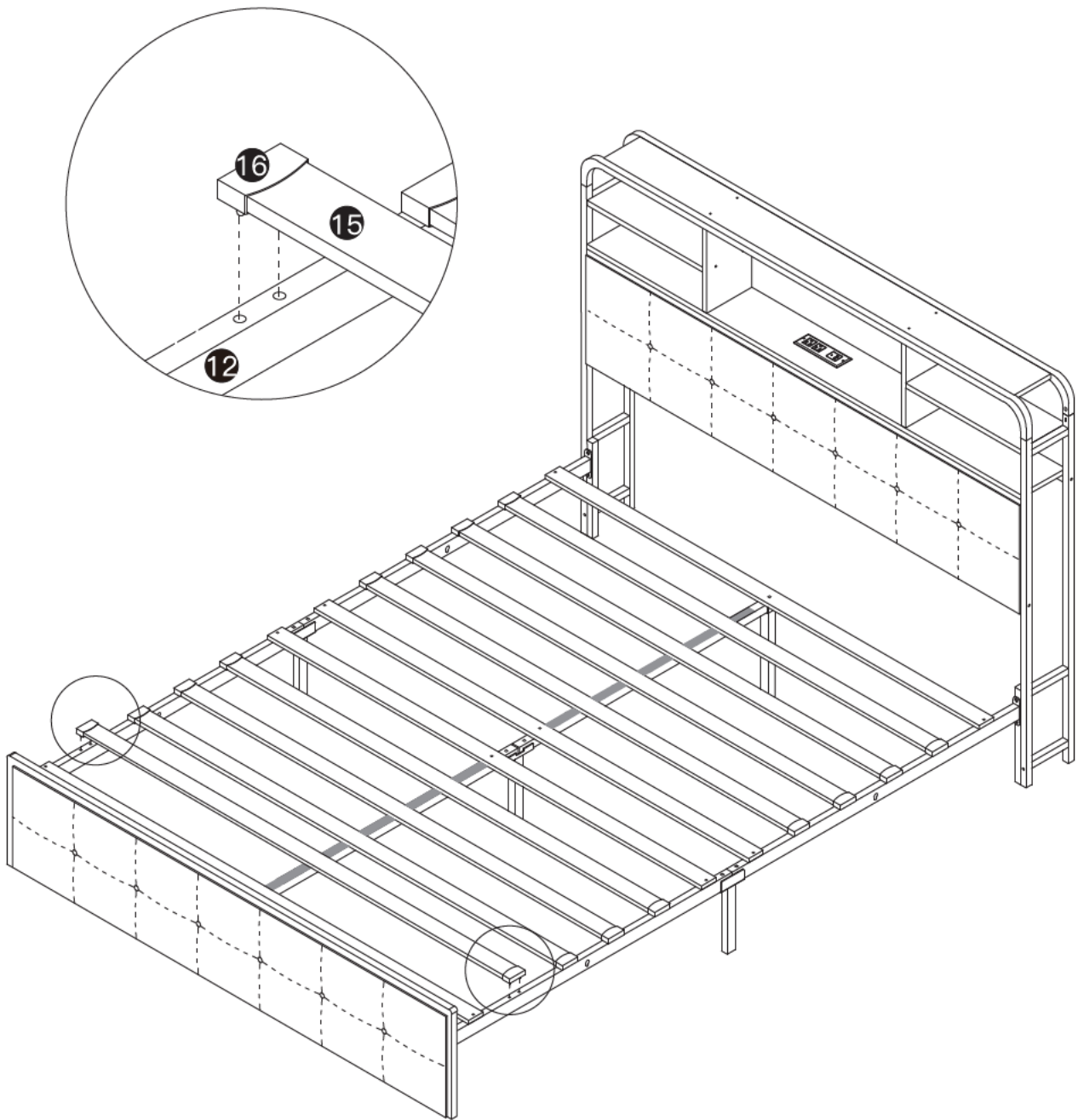


STEP 22

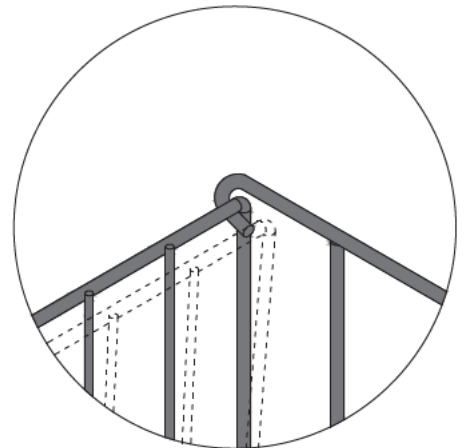
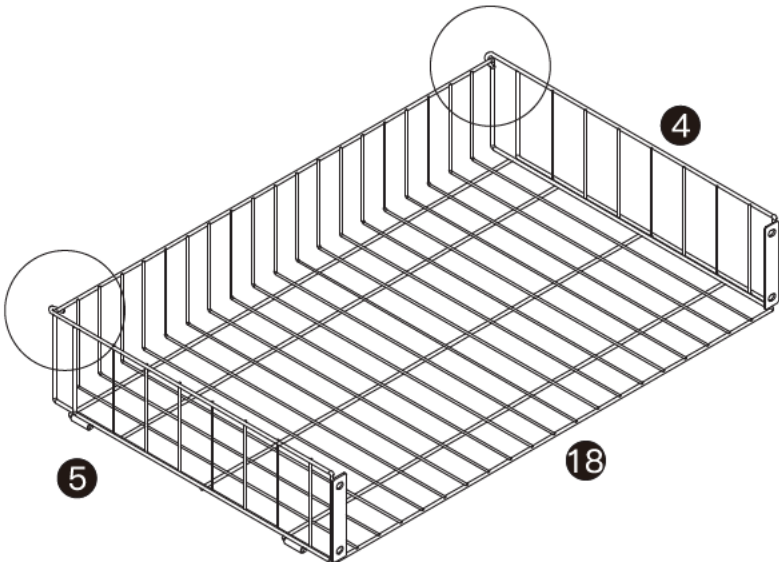
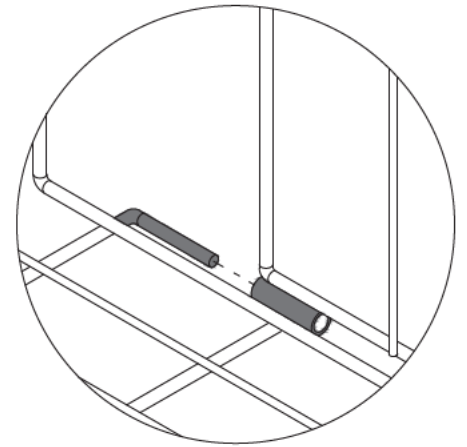
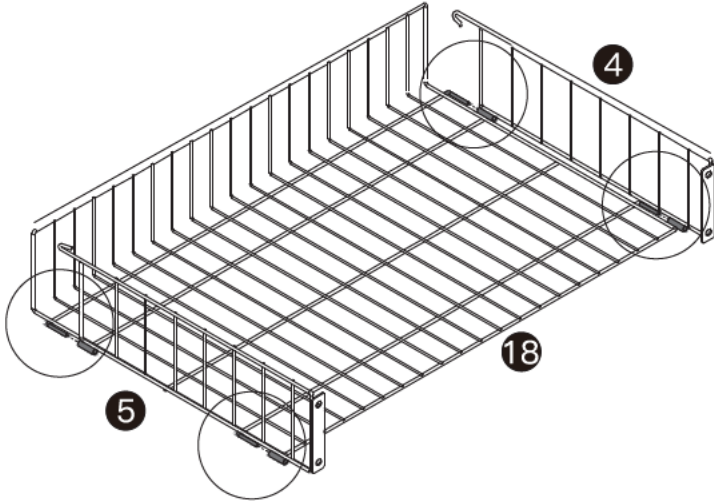
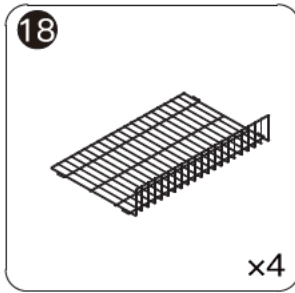
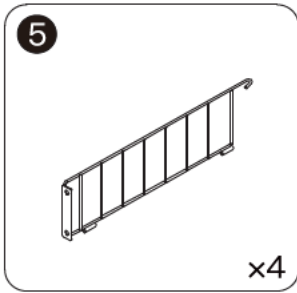
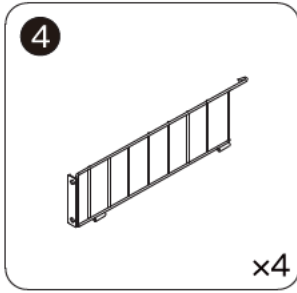


x8

STEP 23

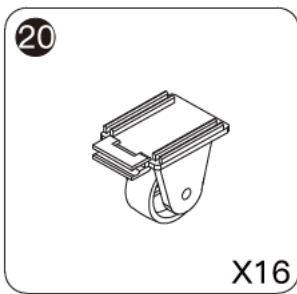


STEP 24

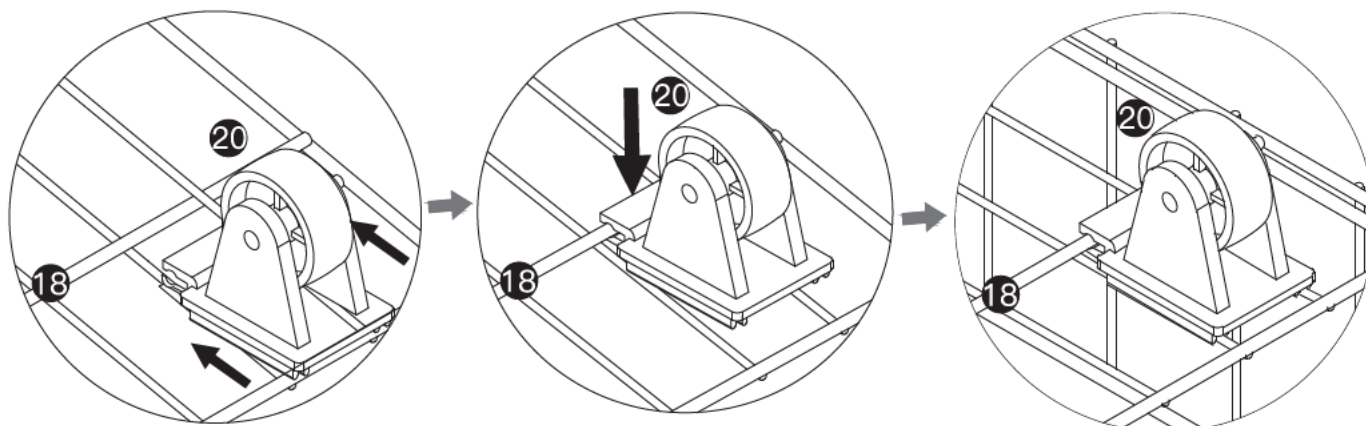
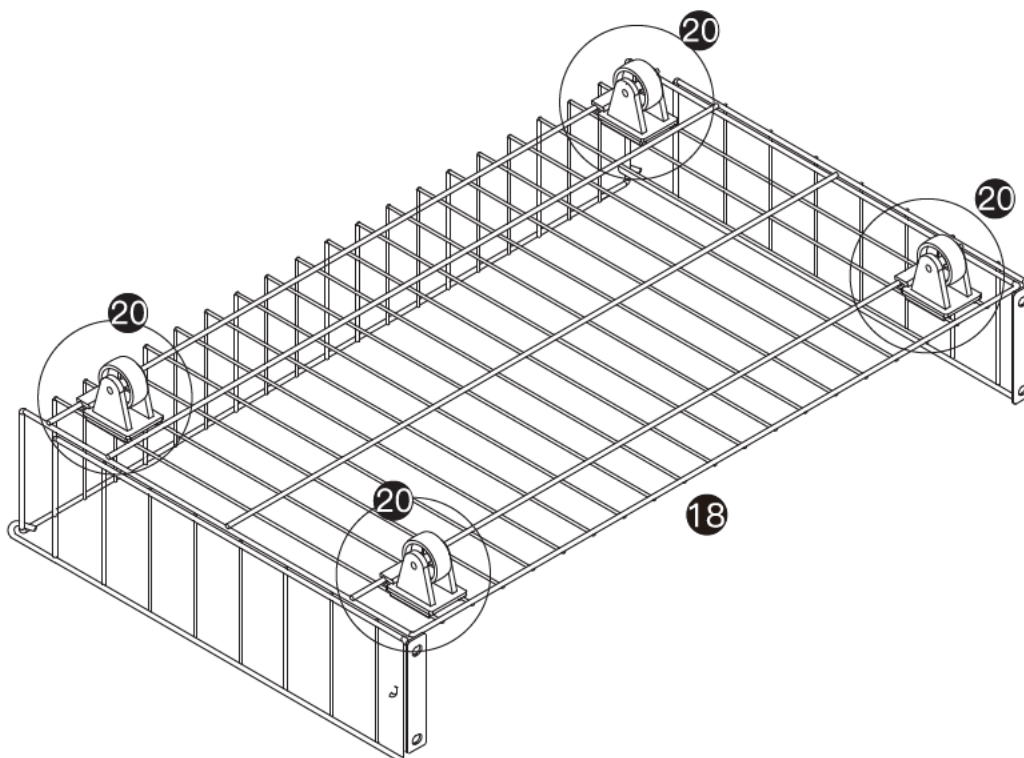


x4

STEP 25

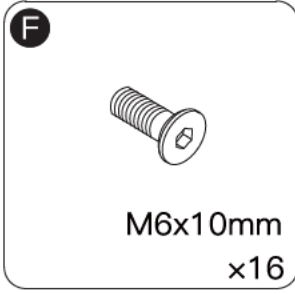
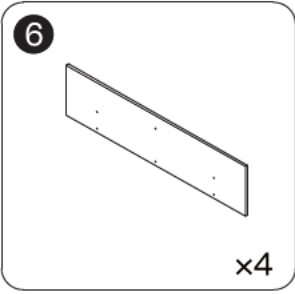


NOTICE:
Please install the wheels as shown above to get the maximum stability and moving smoothness.

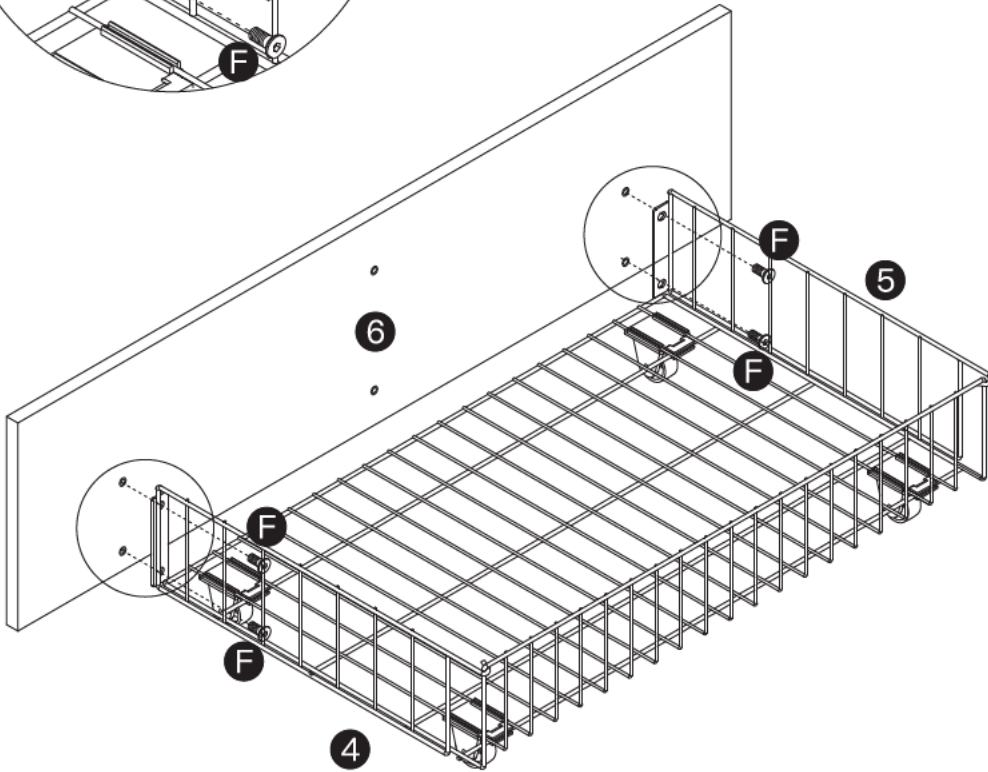
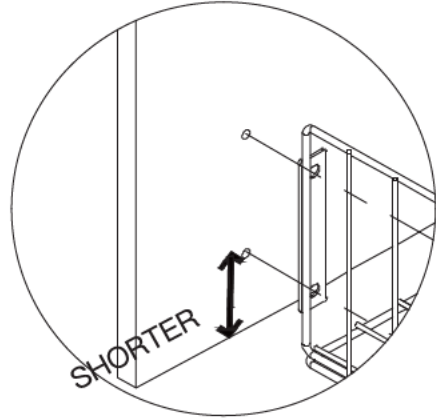
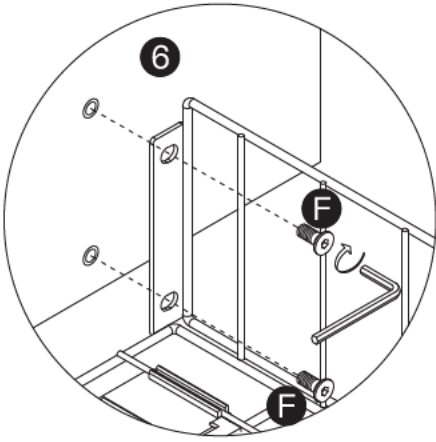


x4

STEP 26

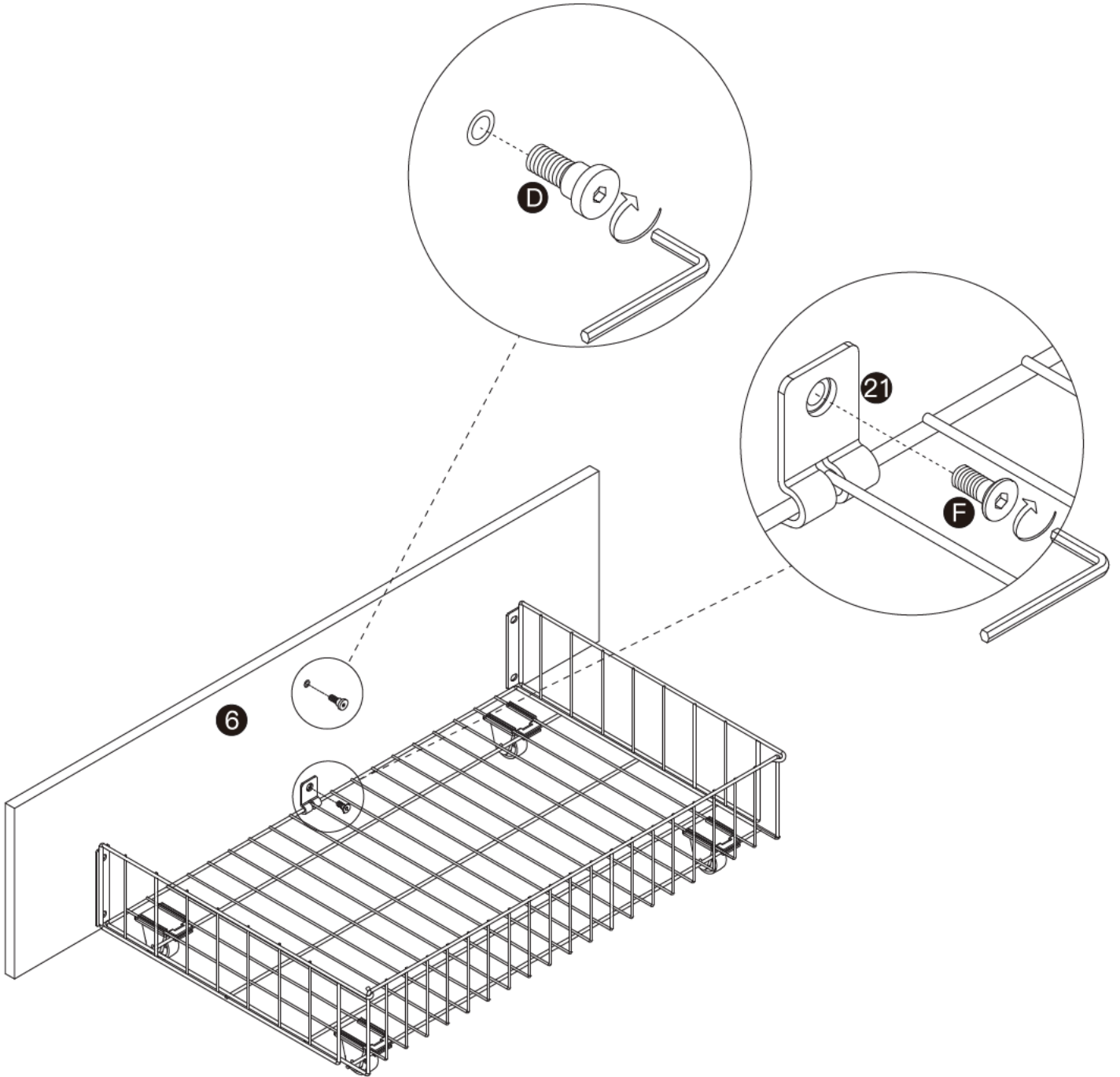
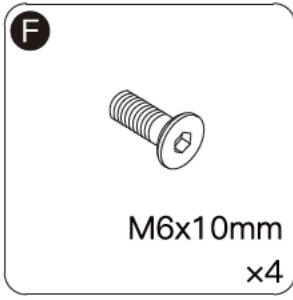
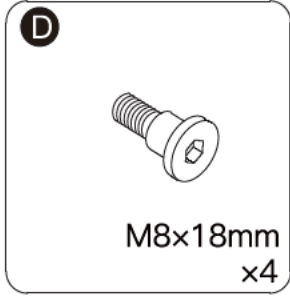
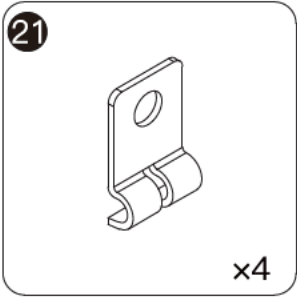


NOTICE:
Make sure the frame is installed on the shorter side of the front panel.



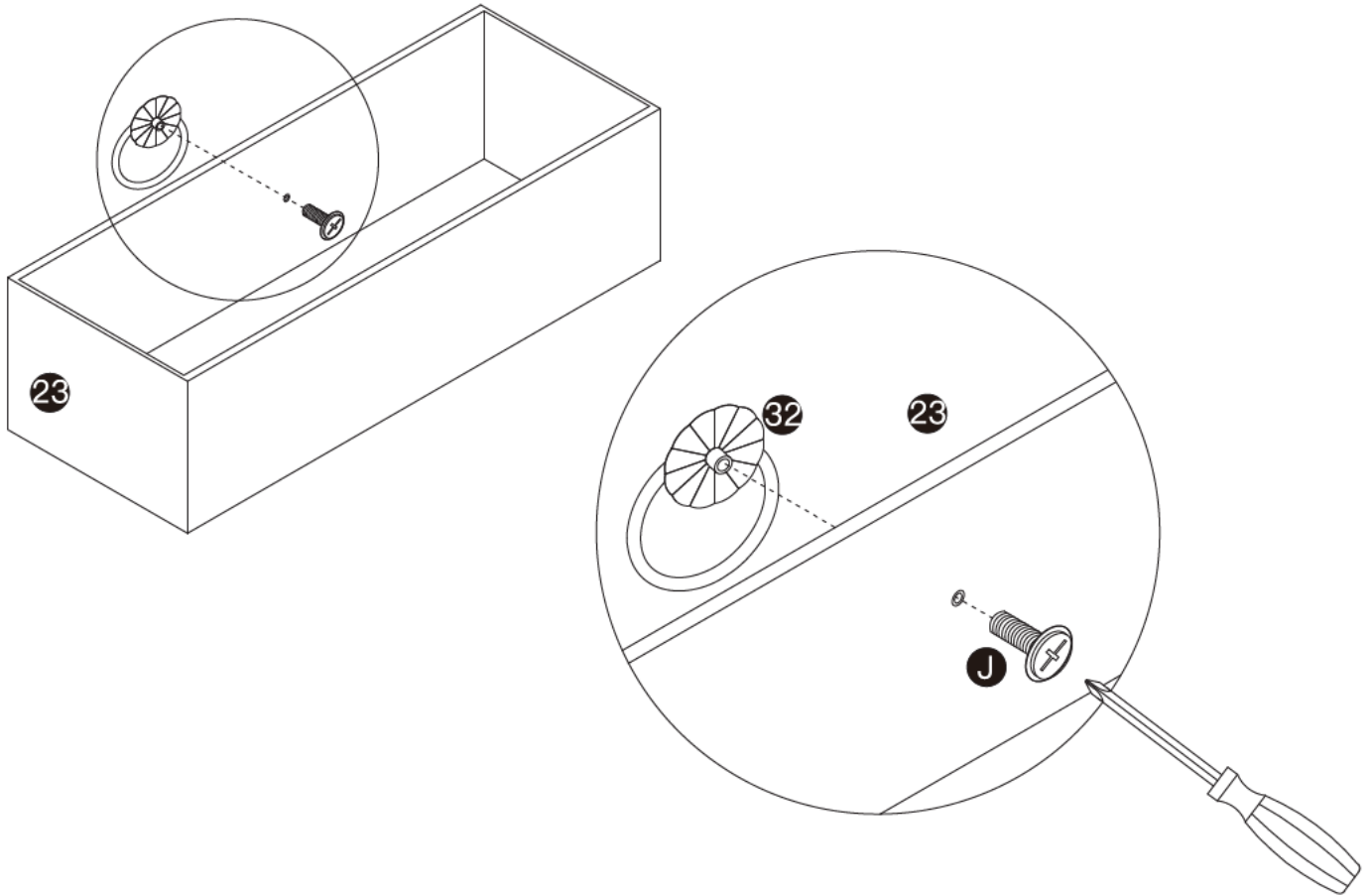
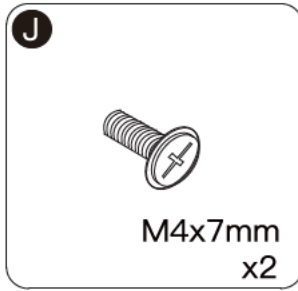
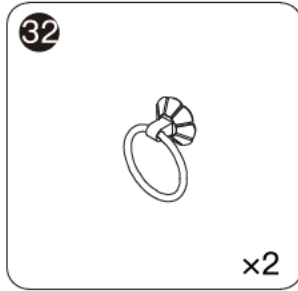
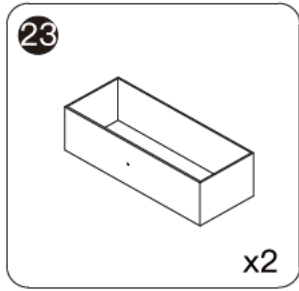
x4

STEP 27



x4

STEP 28



x2

STEP 29

