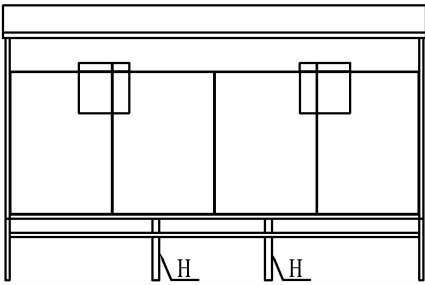
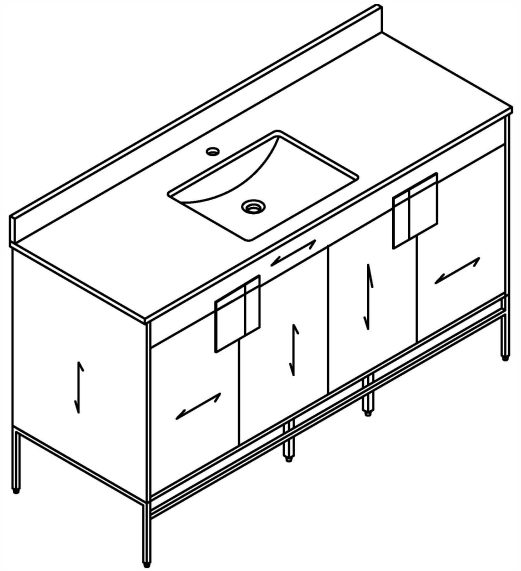



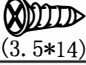
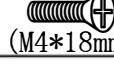





Assembly Instruction



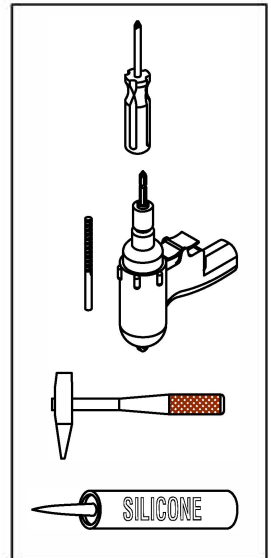
Front View



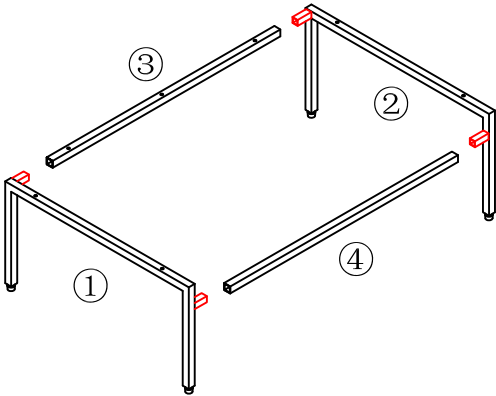
Hardware

NO.	Draw	QTY
A	 (M5*12mm)	8
B	 (3.5*14)	23
C	 (M4*18mm)	12
D		2
E		2
F		2
G		8
H		2

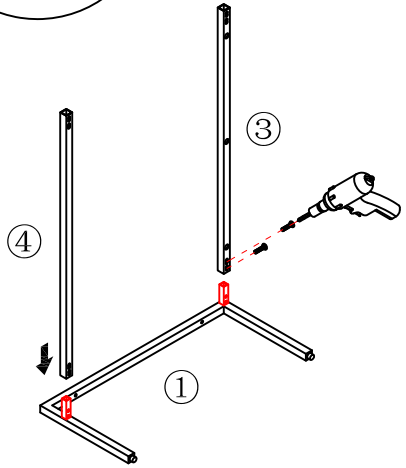
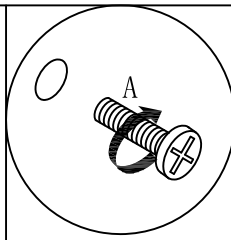
Tools



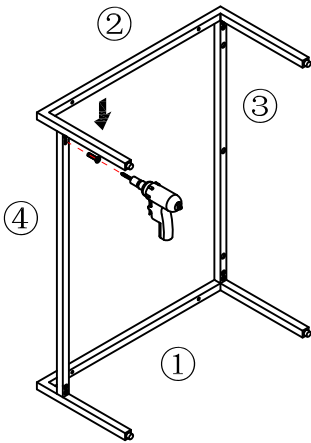
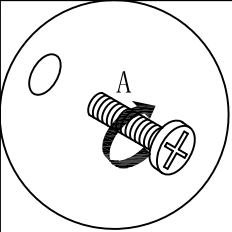
Step 1



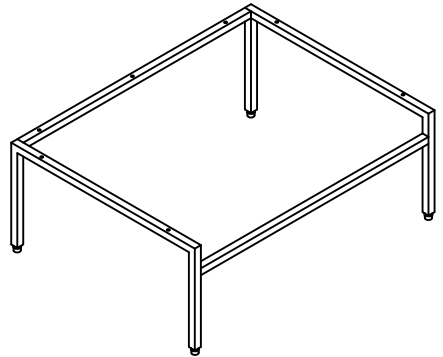
Step 2



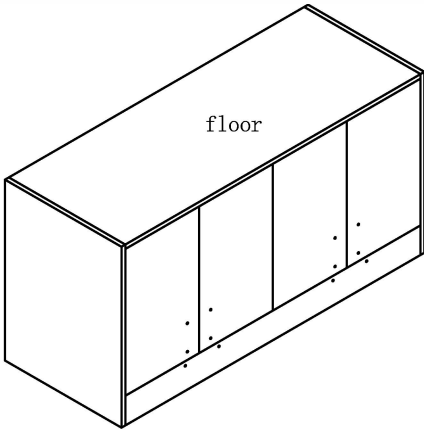
Step 3



Step 4

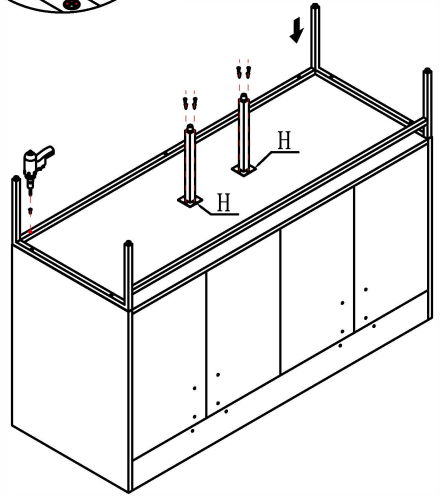
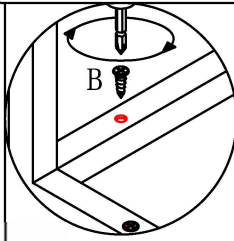


Step 5

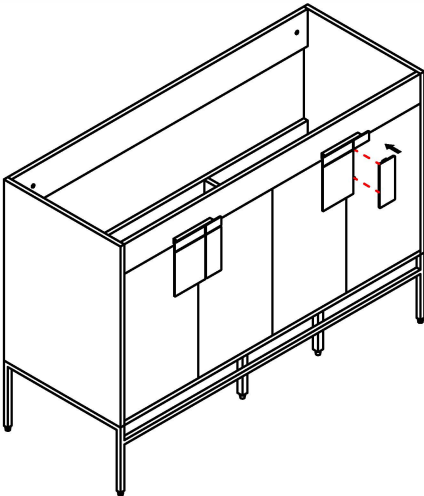


Cabinet handstand

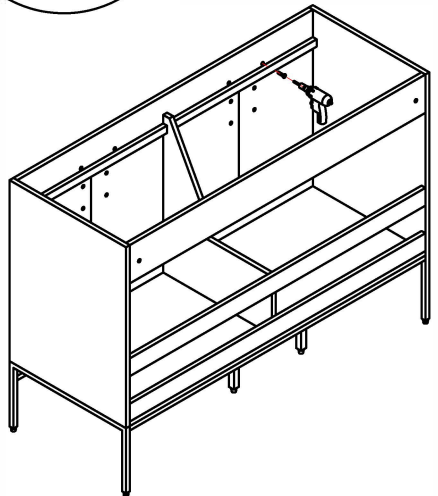
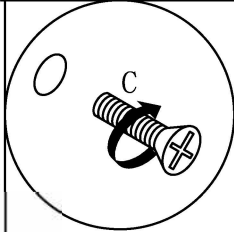
Step 6



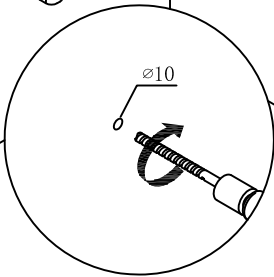
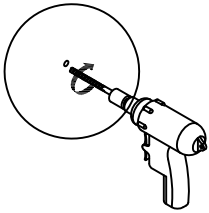
Step 7



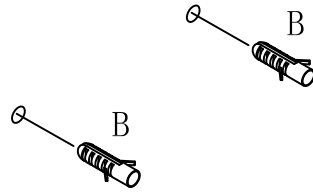
Step 8



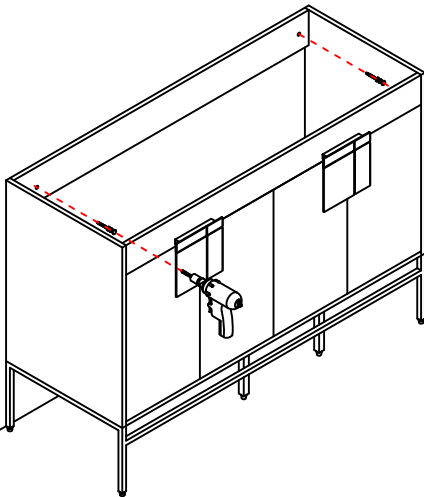
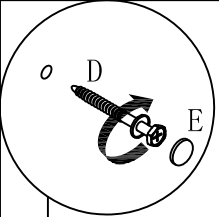
Step 9



Step 10



Step 11



Finished

