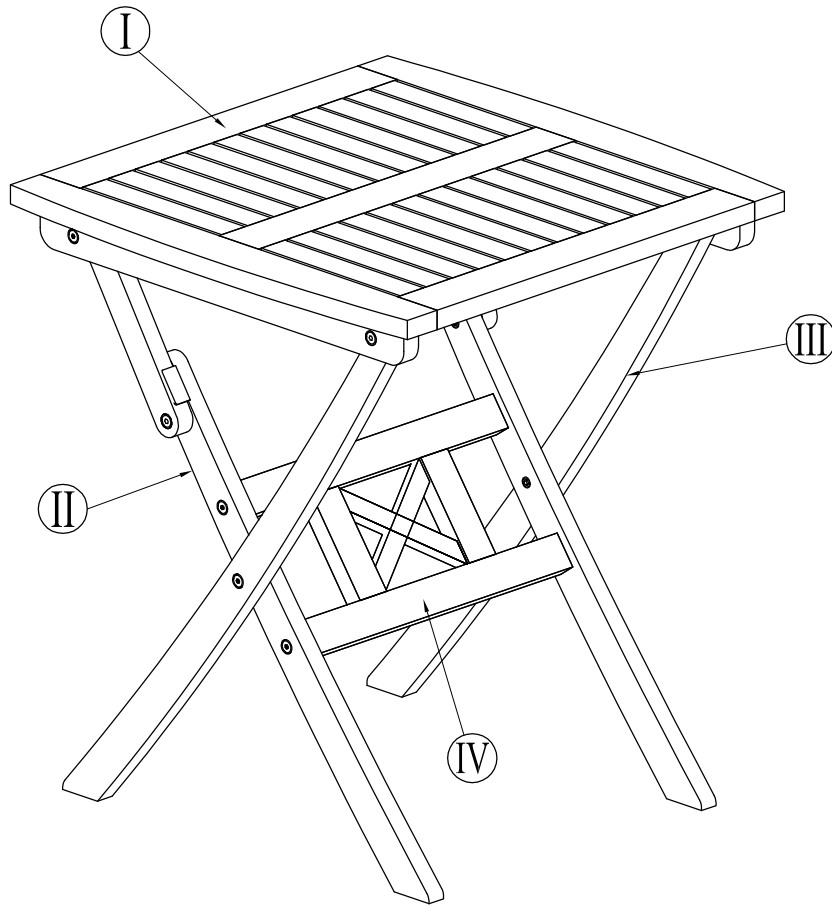




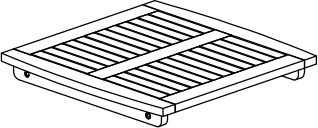
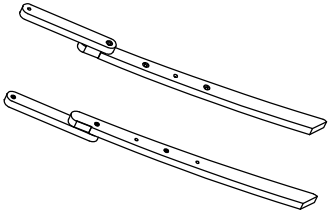
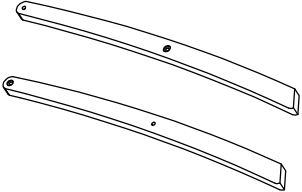
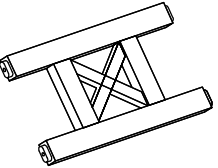
Maximum capacity : 60 kgs/122 Lbs









NOTE: 50% TIGHTEN BEFORE FIXING ALL BOLTS & SCREWS

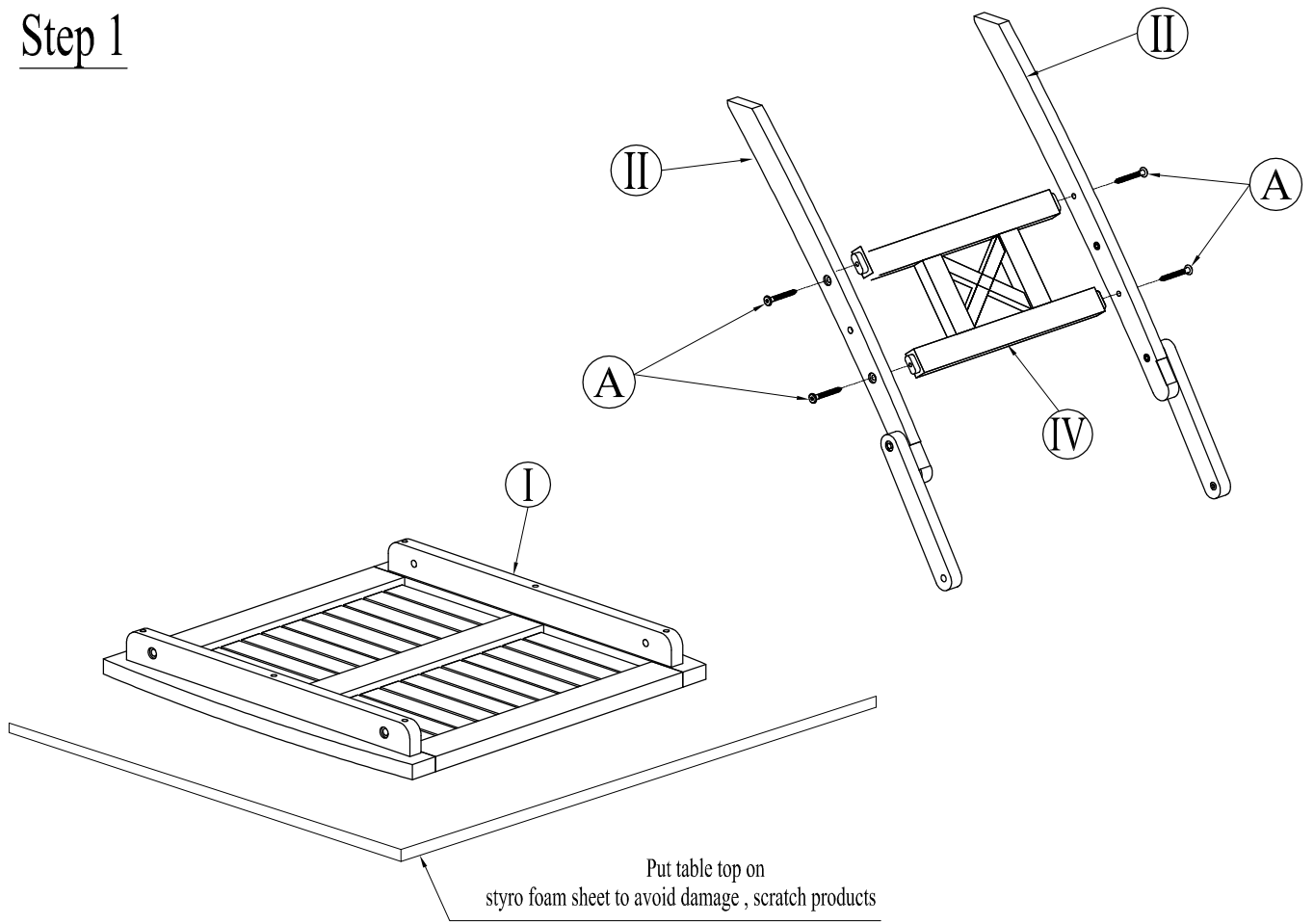
### COMPONENTS LIST

<p>Ⓘ</p>  <p>Q'TY 1</p>	<p>Ⓜ</p>  <p>Short leg part (Right &amp; left)</p> <p>Q'TY 1</p>	<p>Ⓜ</p>  <p>Short leg part (Right &amp; left)</p> <p>Q'TY 2</p>	<p>Ⓜ</p>  <p>Q'TY 1</p>
---	---	--	--

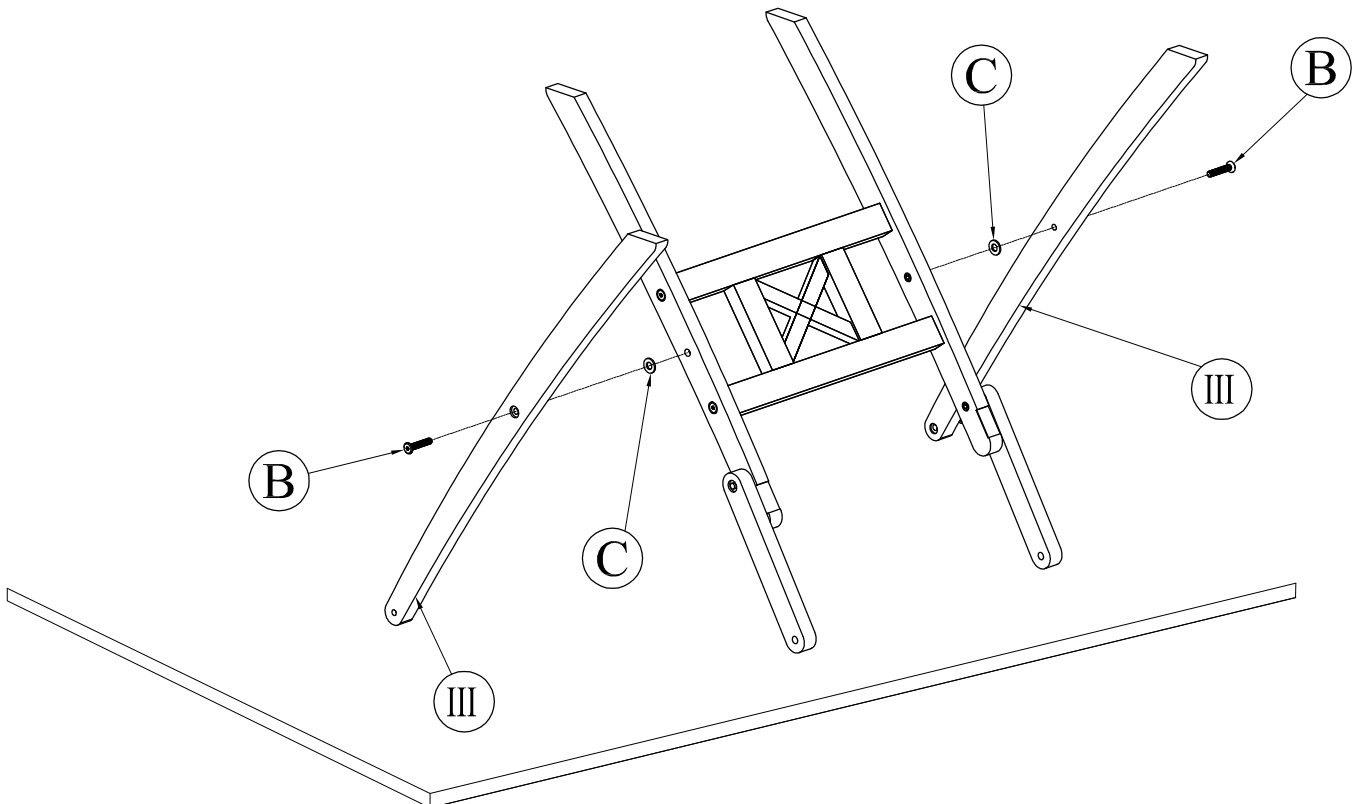
### HARDWARE LIST

A		4	F - Screw 7x60	C		6	Washer
B		6	Bolt 8x40	D		2	Allen Key

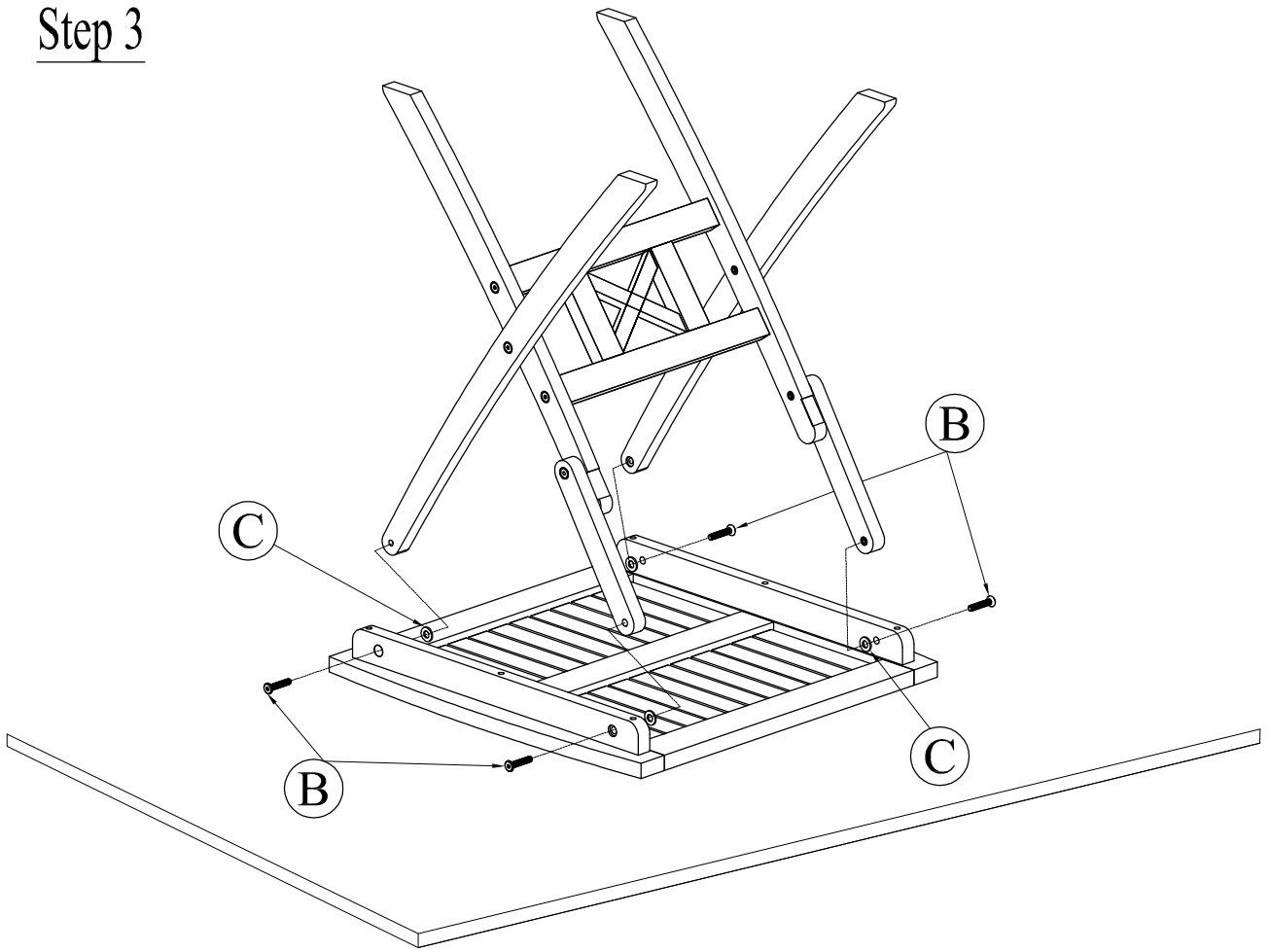
# Step 1

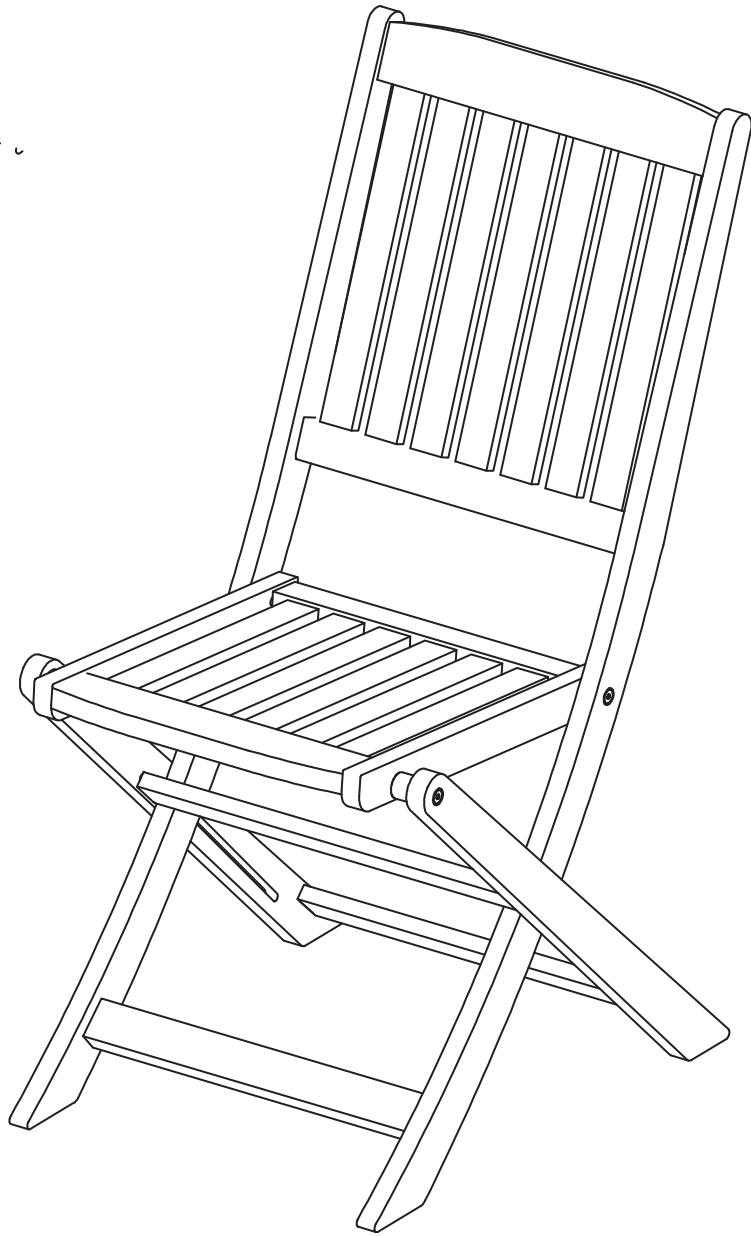


# Step 2



# Step 3





Maximum capacity : 110 kgs/242 Lbs



