
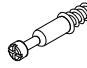



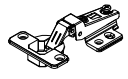



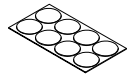


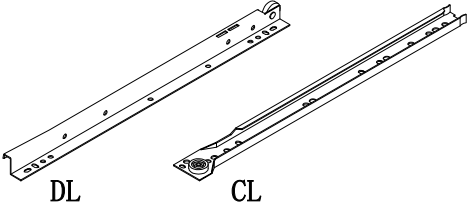
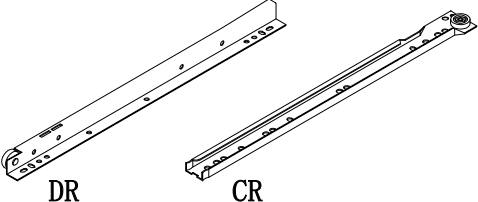


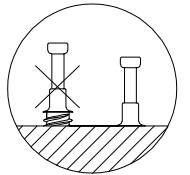
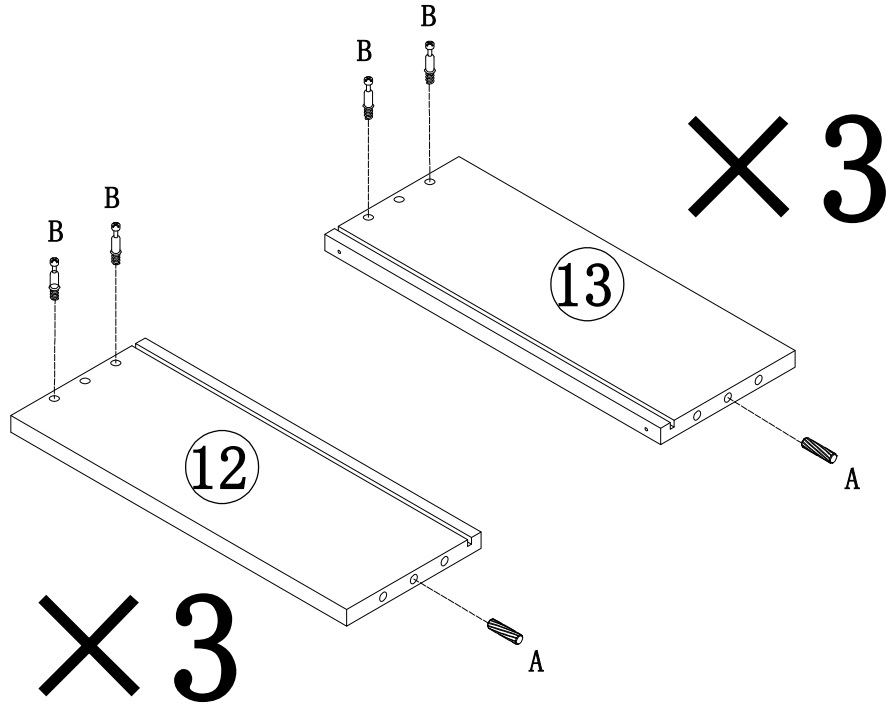
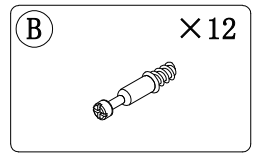
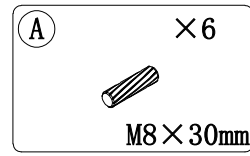
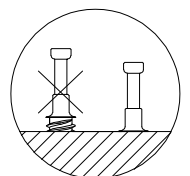
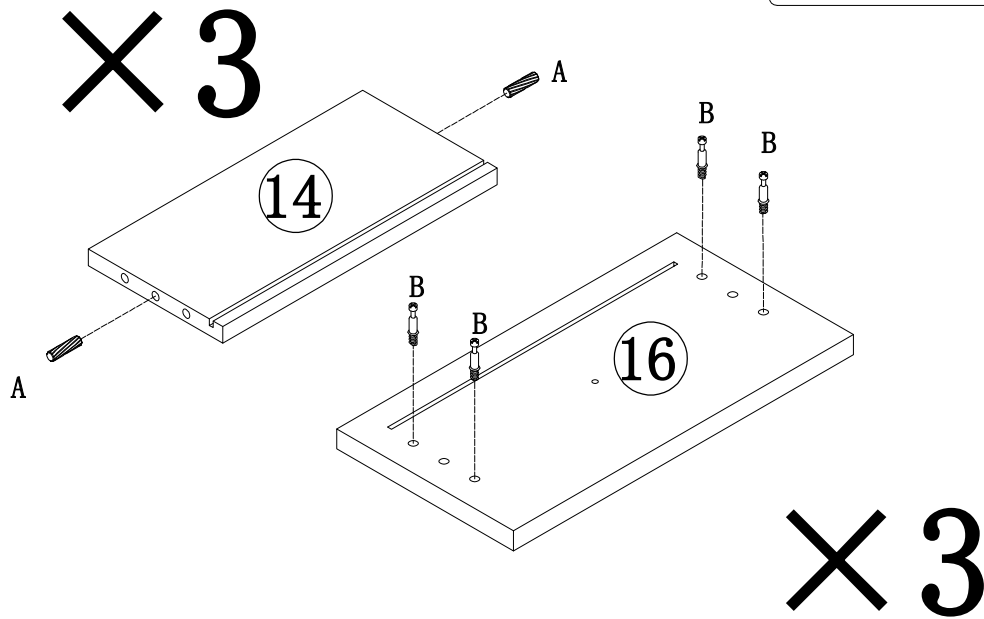
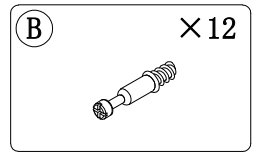
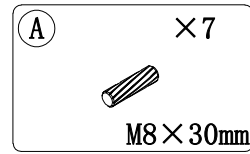


A ×32  M8 × 30mm	B ×44  	C ×44  	D ×73  M4 × 14mm	E ×5  M4 × 22mm	F ×4 
G ×4  	H ×8  	I ×5  	J ×8  	K ×5  	L ×5 
O -DL/CL ×3  DL CL		O -DR/CR ×3  DR CR		M ×1  	N ×2 

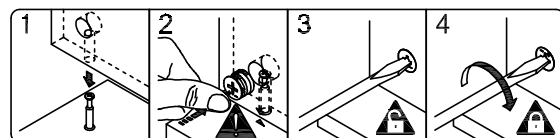
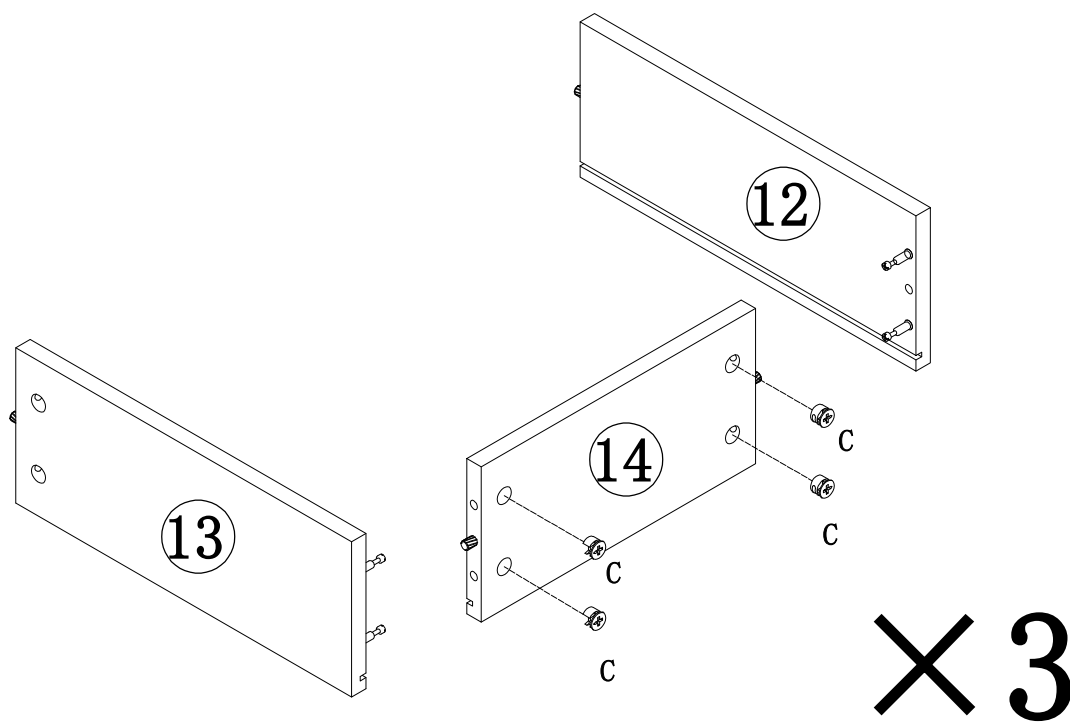
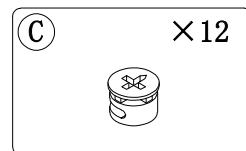
01



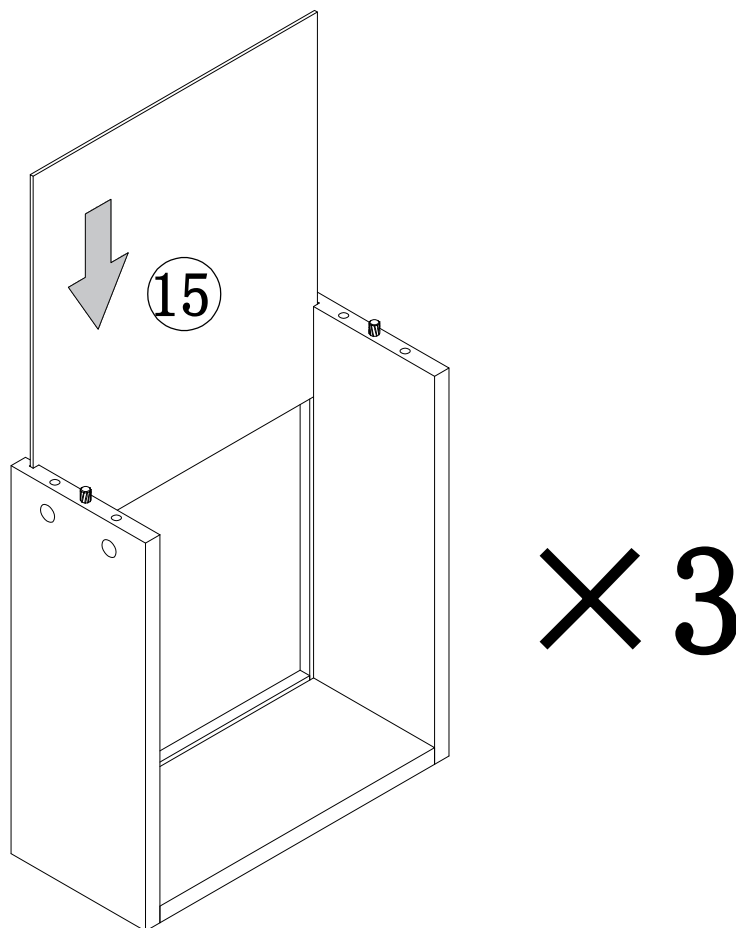
02



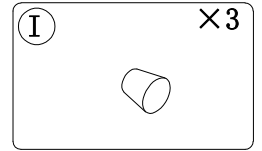
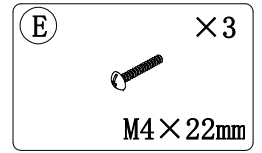
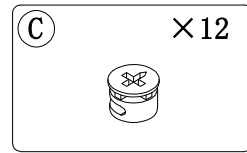
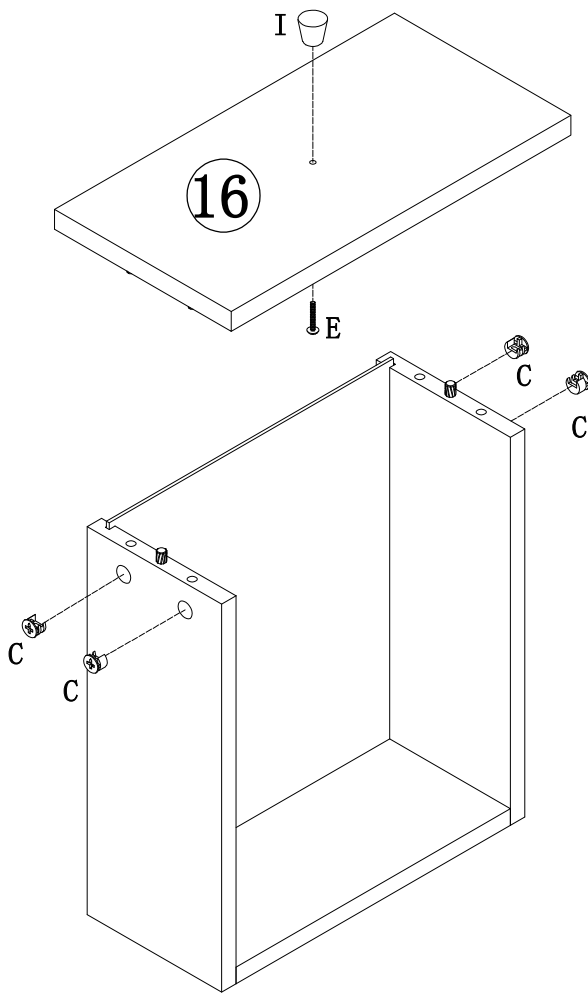
03



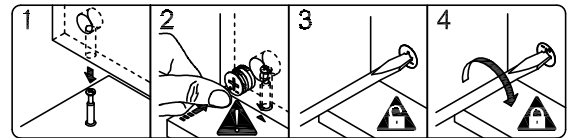
04



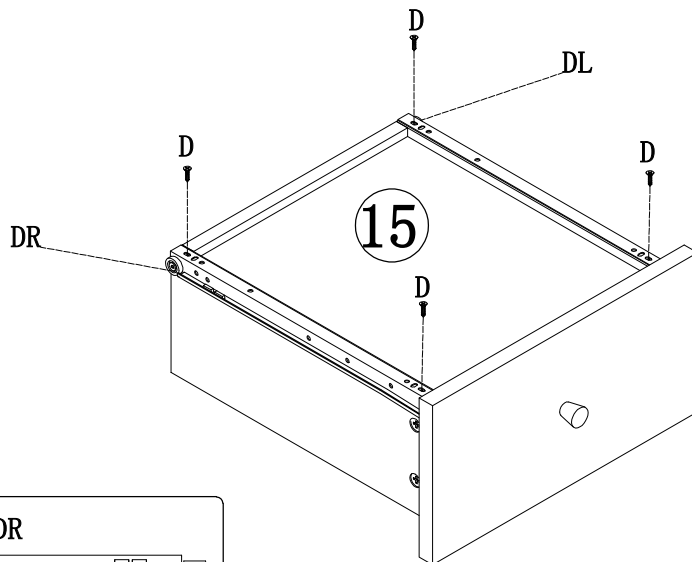
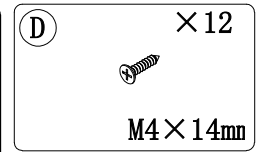
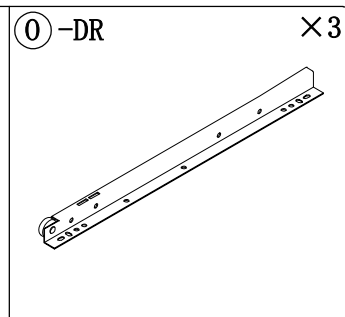
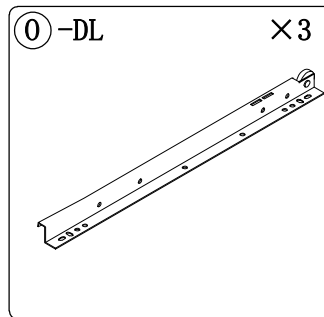
05



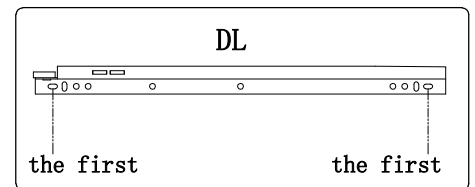
× 3



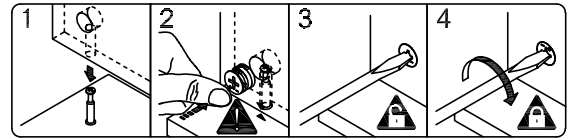
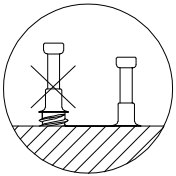
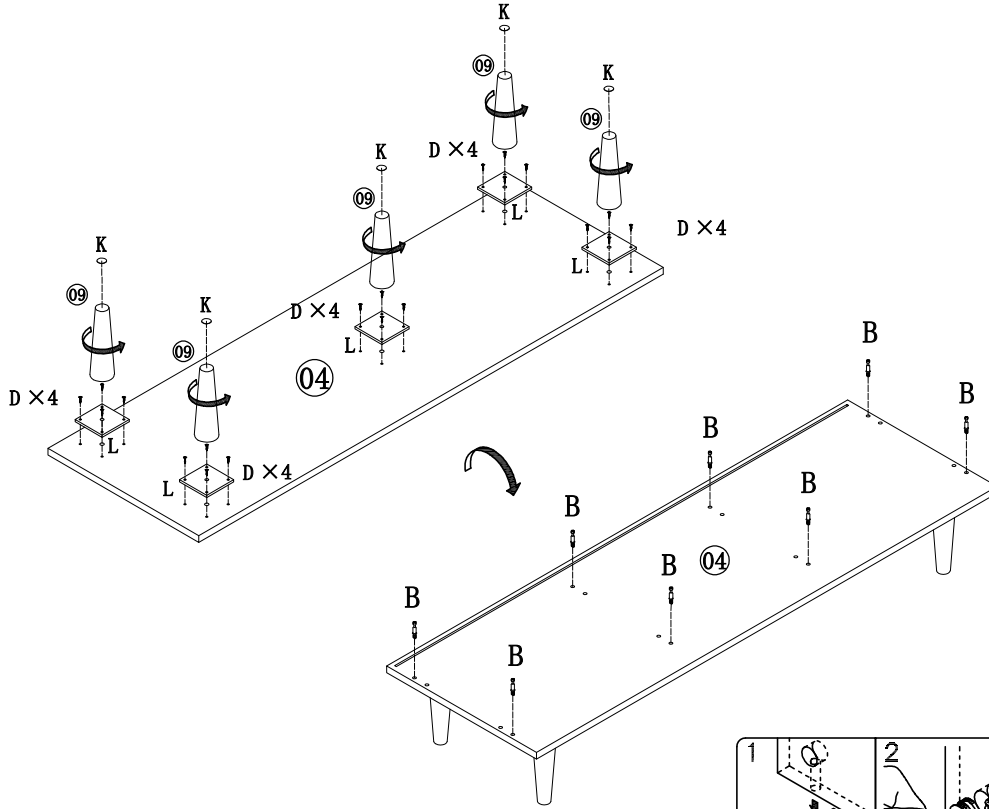
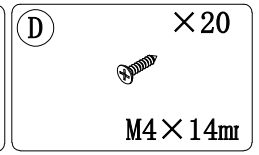
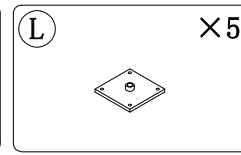
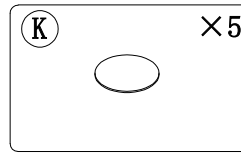
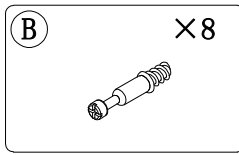
06



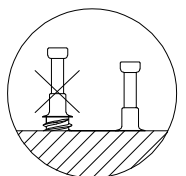
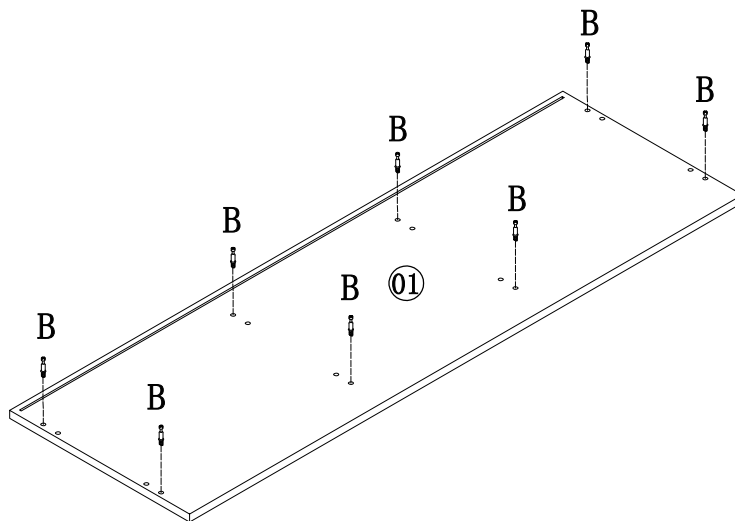
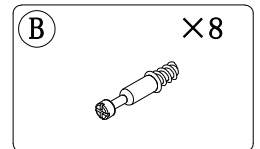
× 3



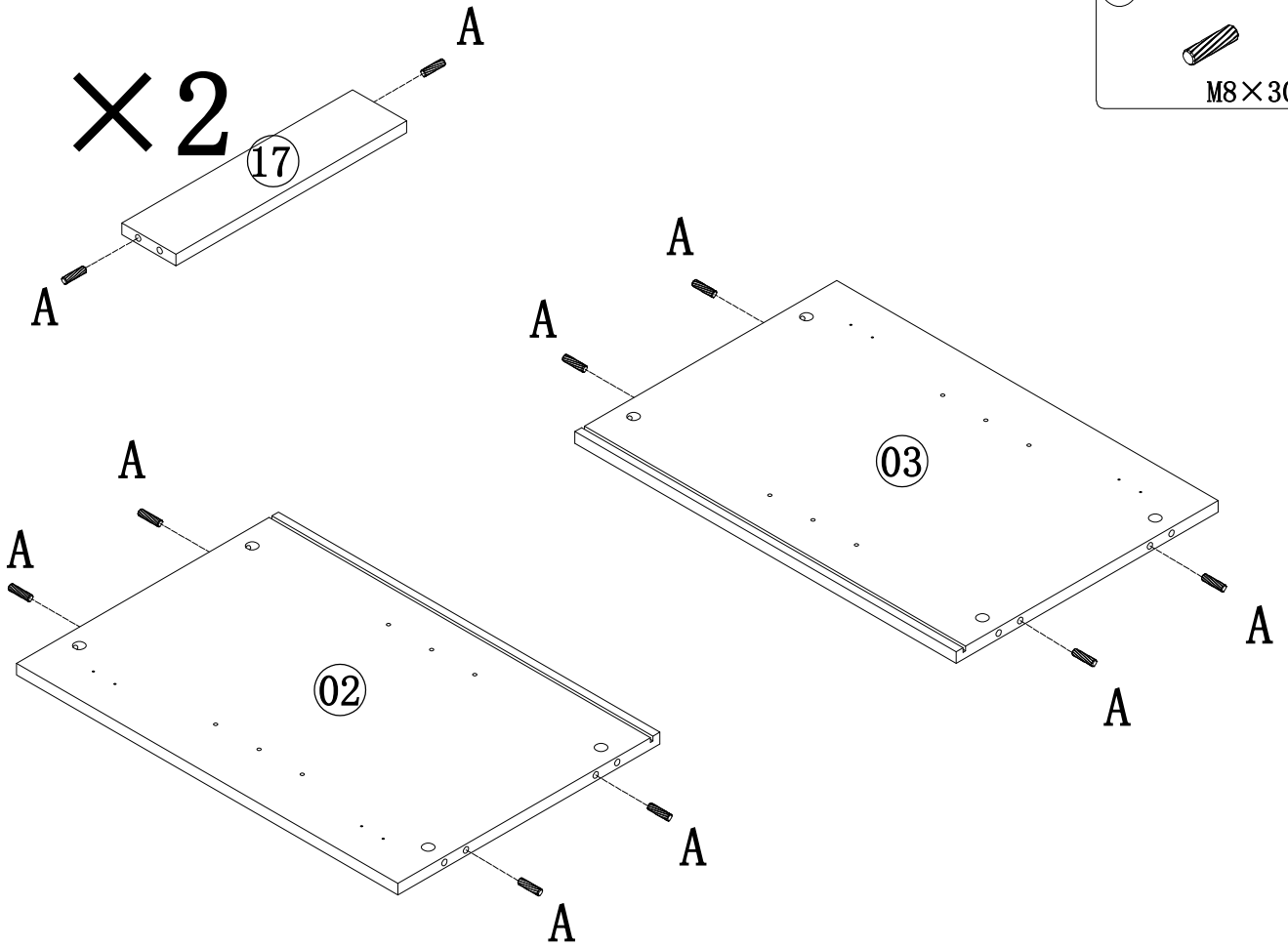
07




08

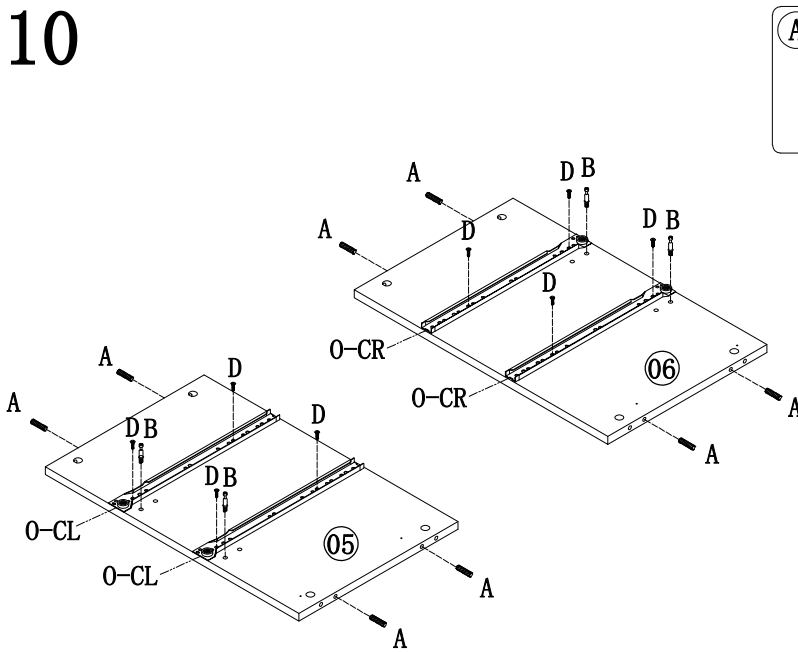



09




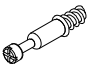
(A) ×12

 M8 × 30mm

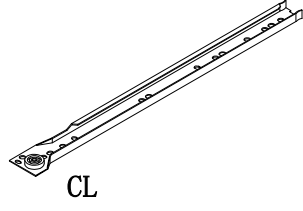
10

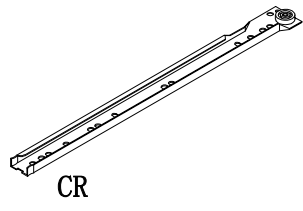


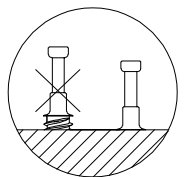
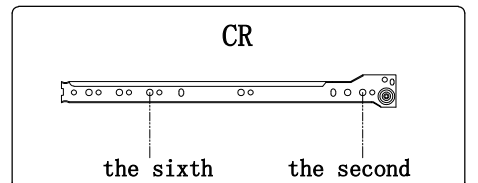
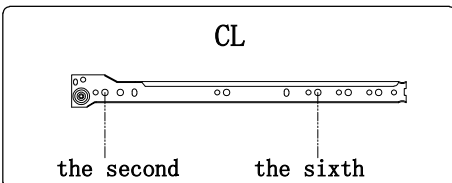
(A) ×8

 M8 × 30mm

(D) ×8

 M4 × 14mm

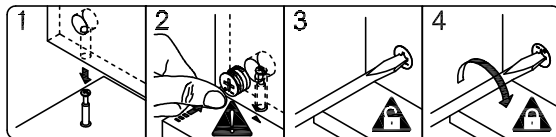
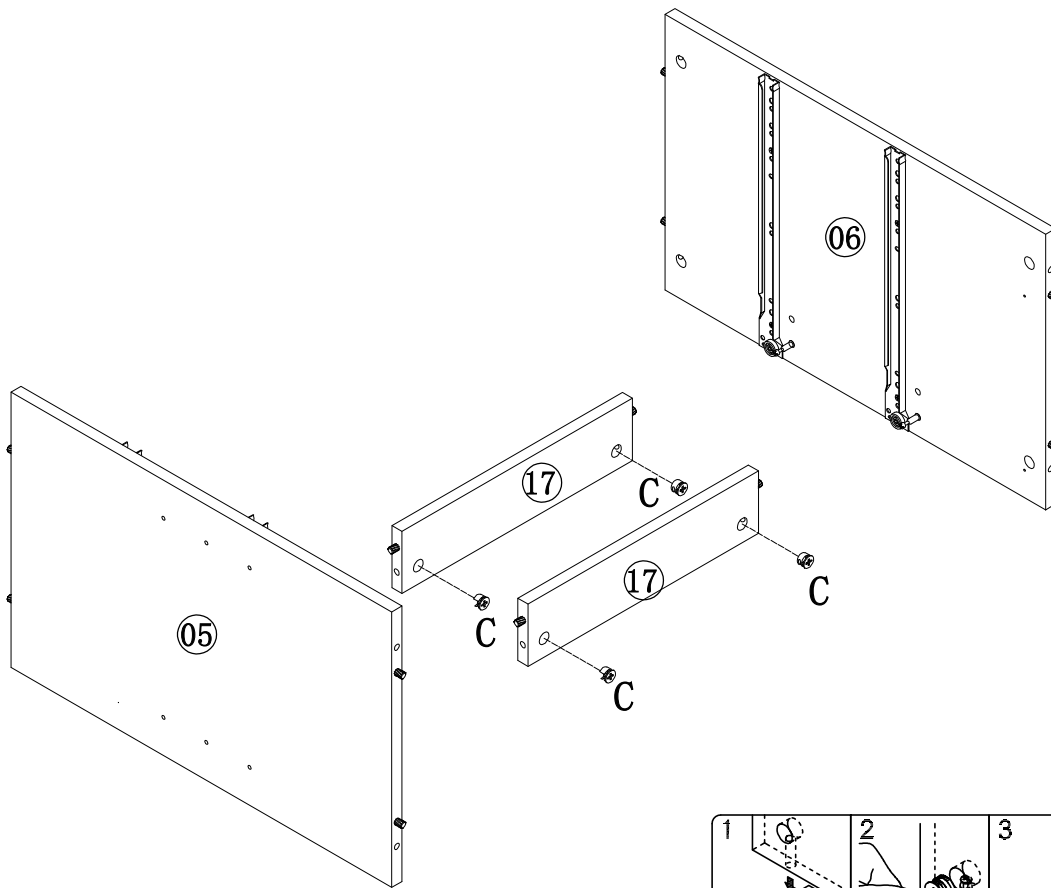
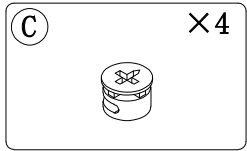
(B) ×4


(O) -CL ×2

 CL

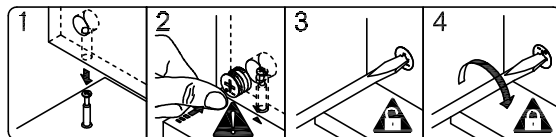
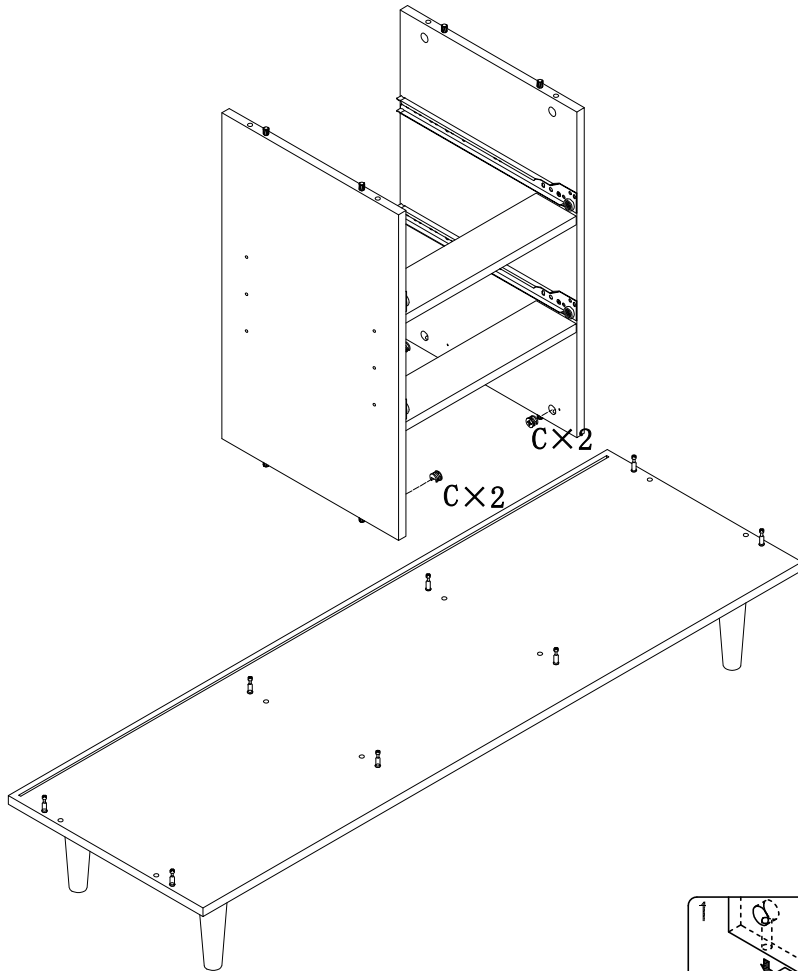
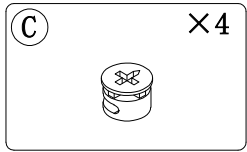
(O) -CR ×2

 CR



11

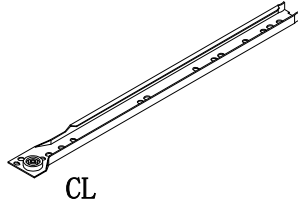


12

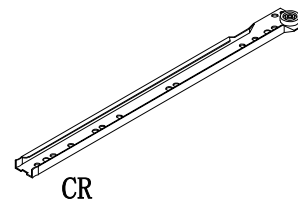


13

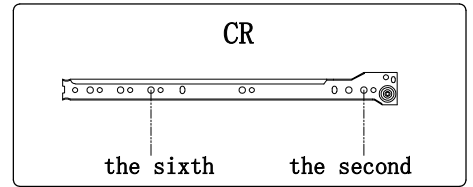
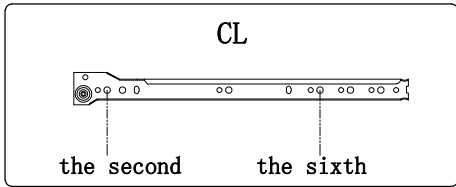
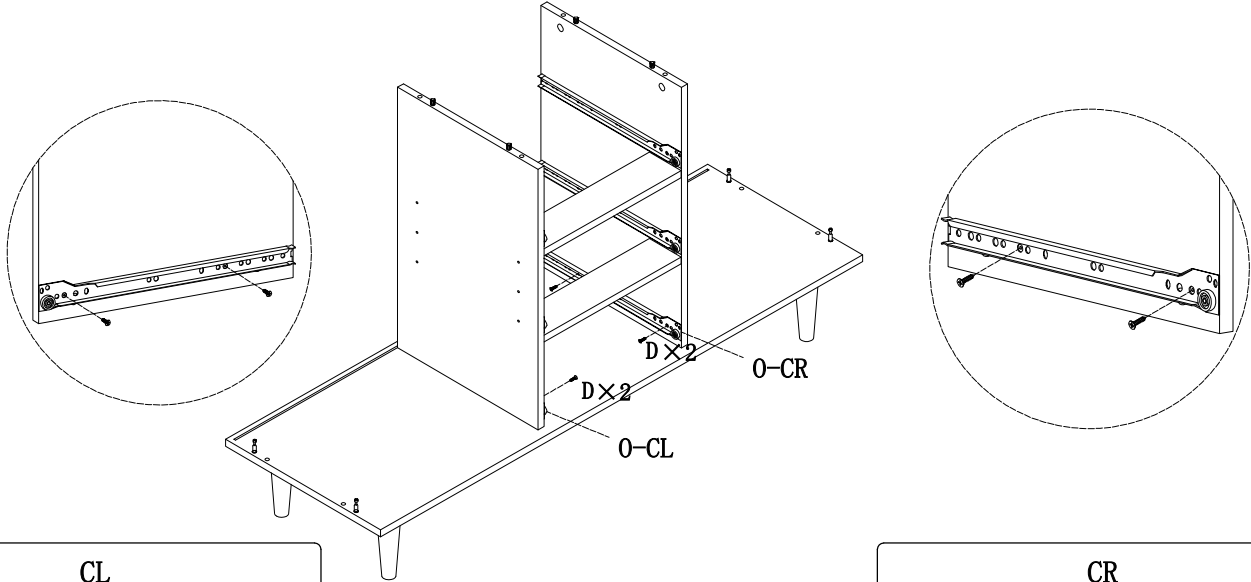
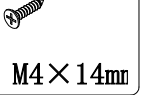
①-CL ×1



①-CR ×1

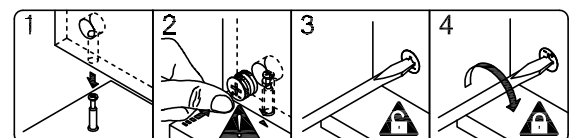
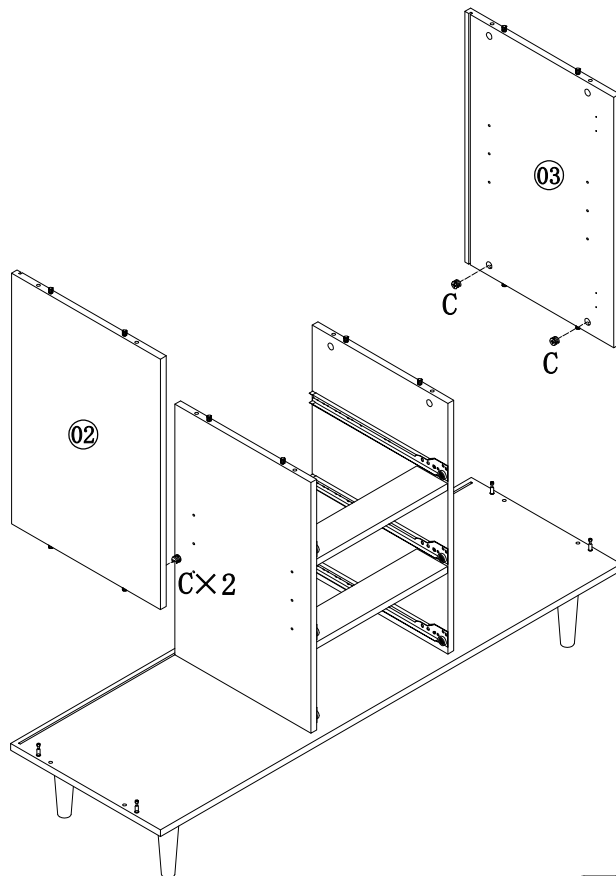


④ ×4

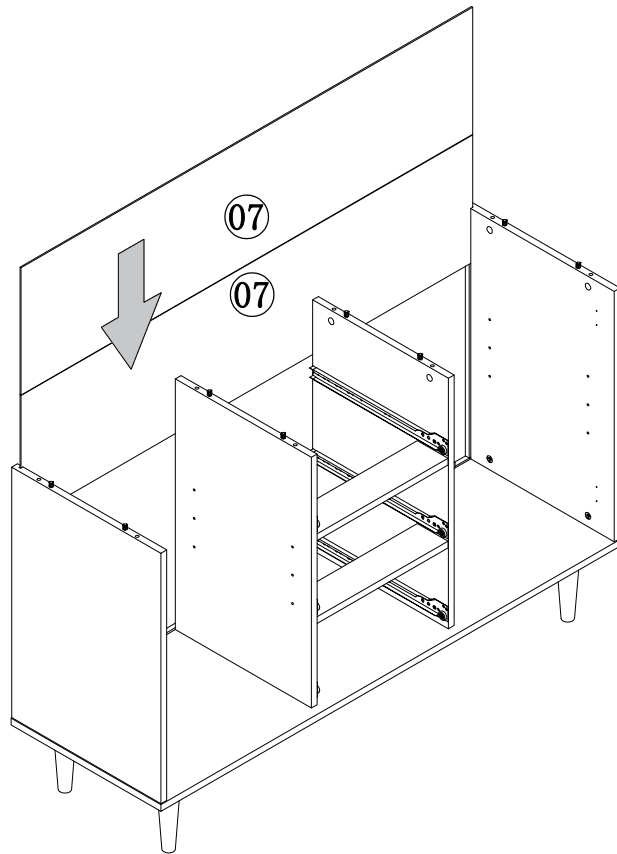


14

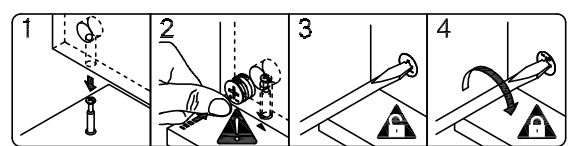
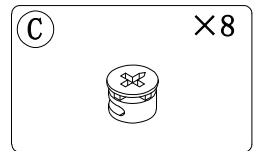
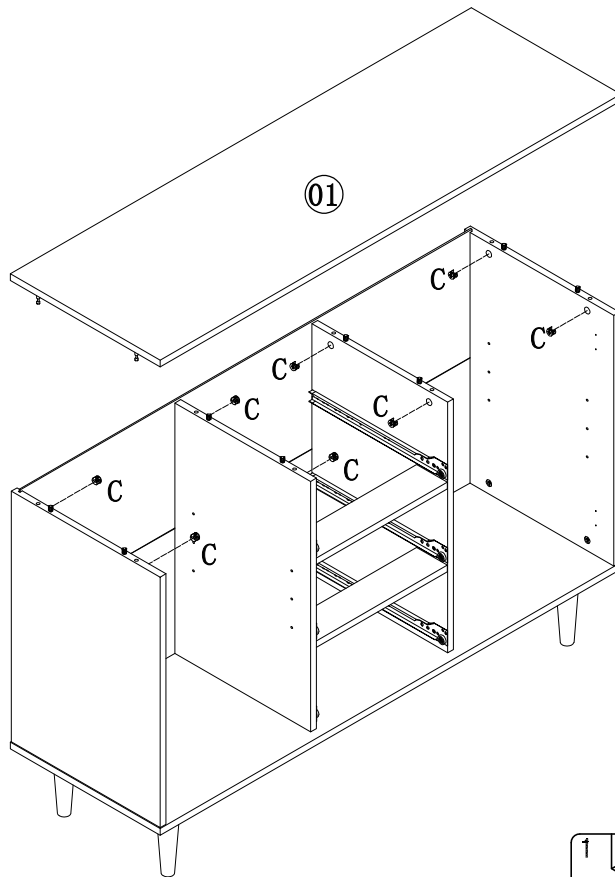
③ ×4



15



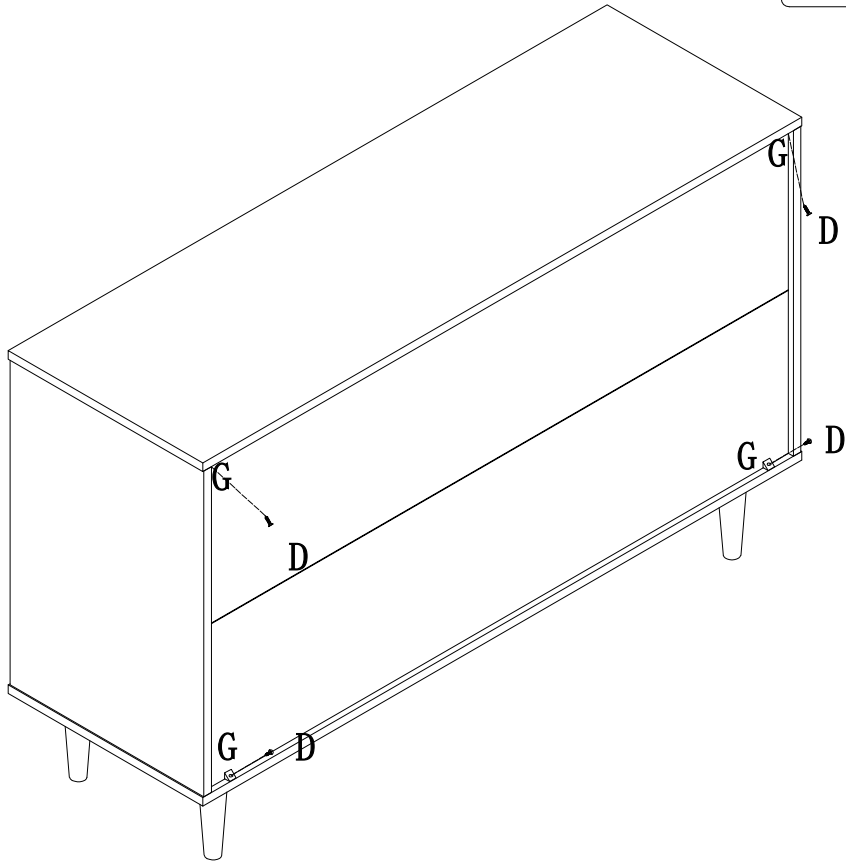
16



17

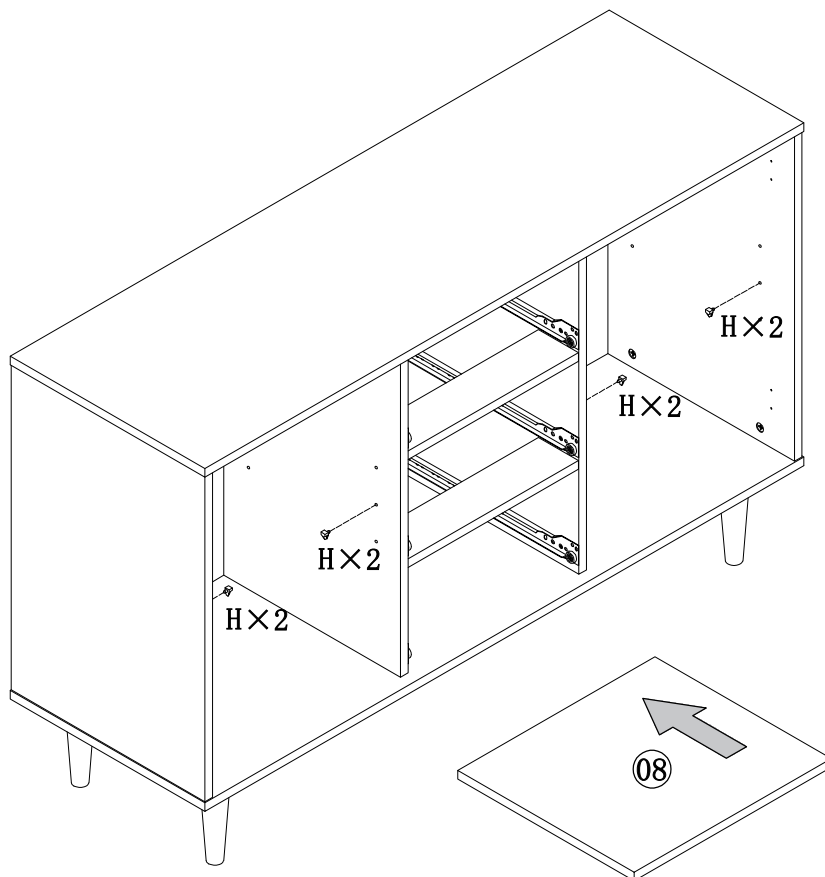
Ⓓ ×4
M4×14mm

Ⓔ ×4

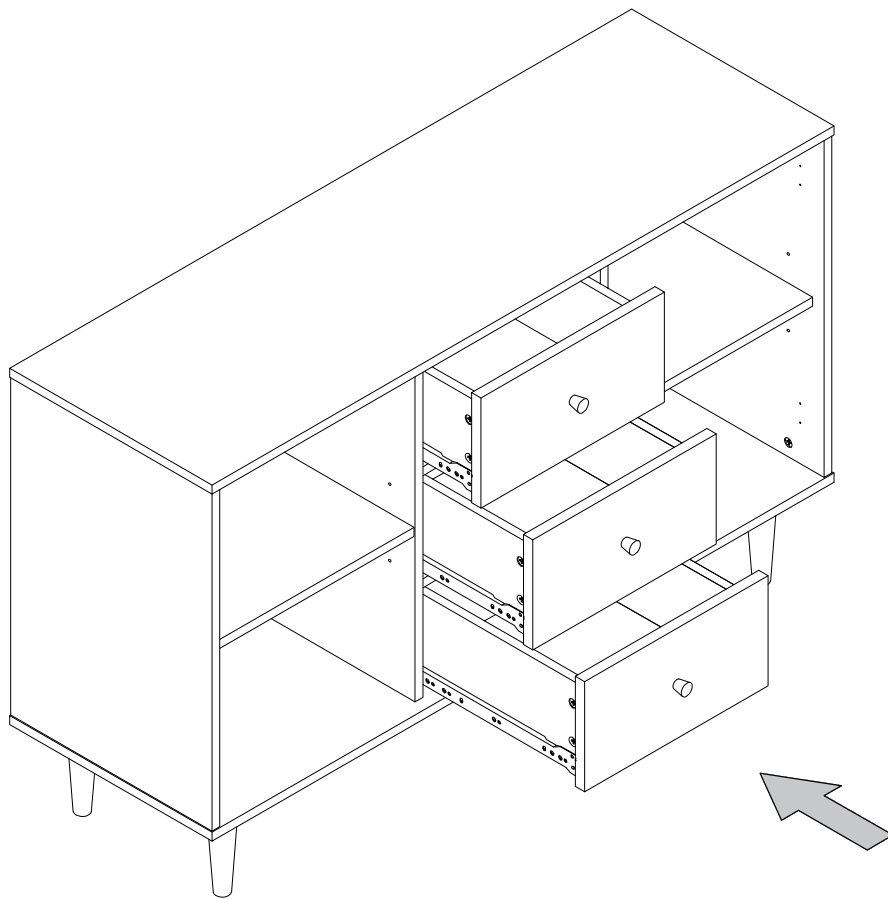


18

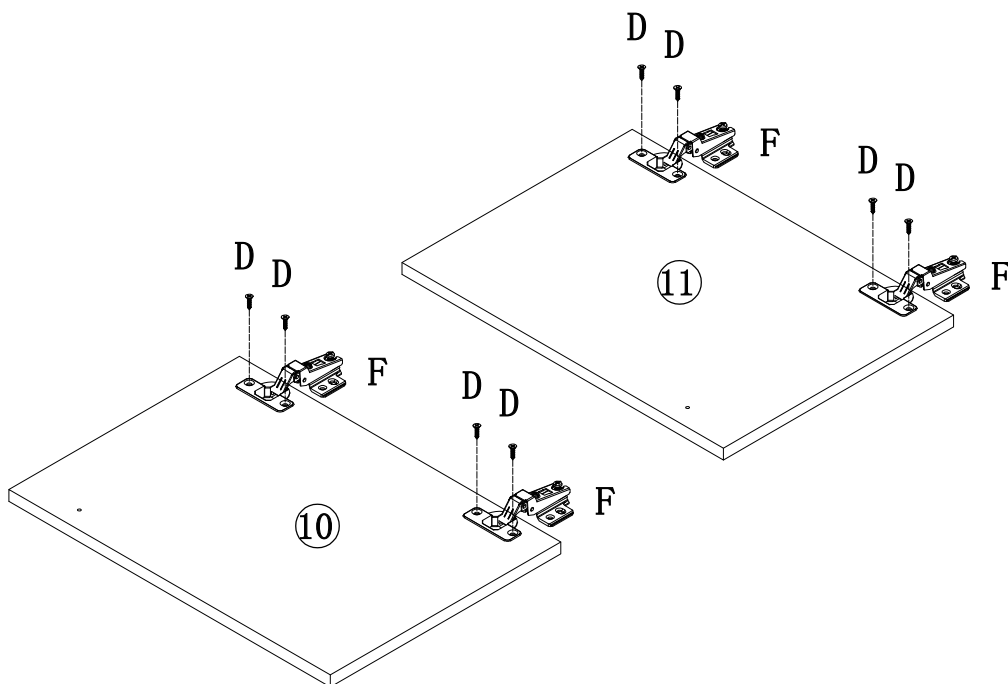
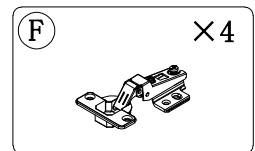
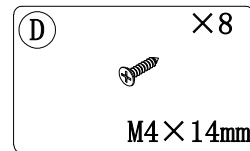
Ⓕ ×8



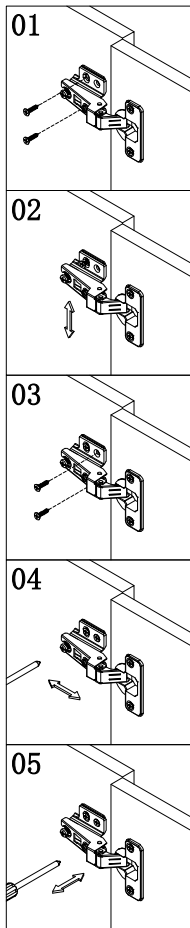
19



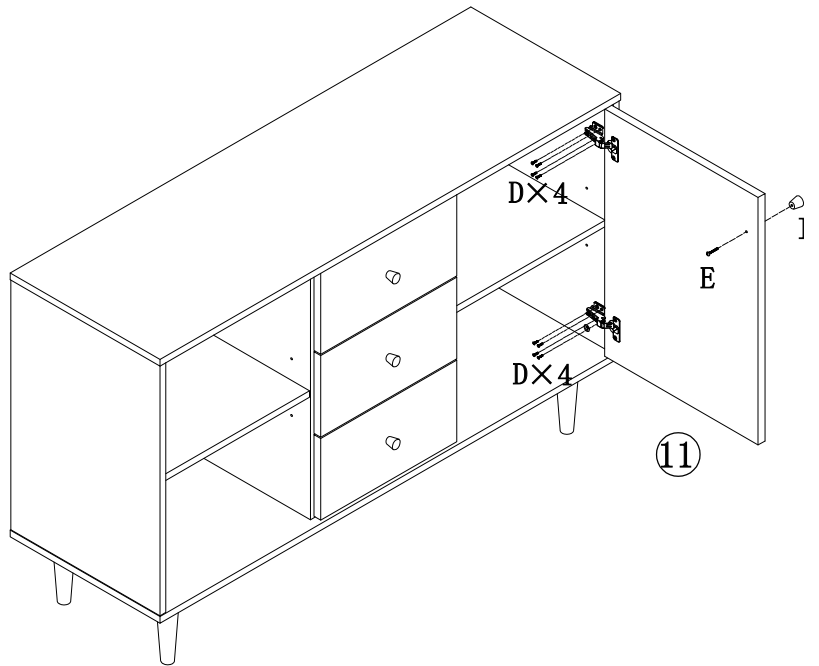
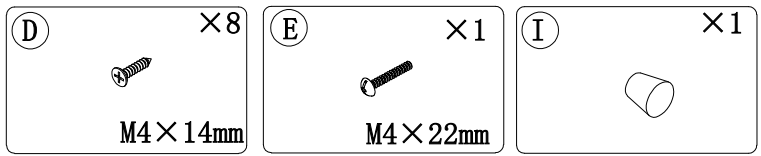
20



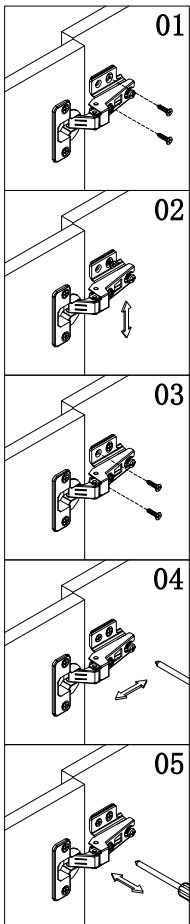
21



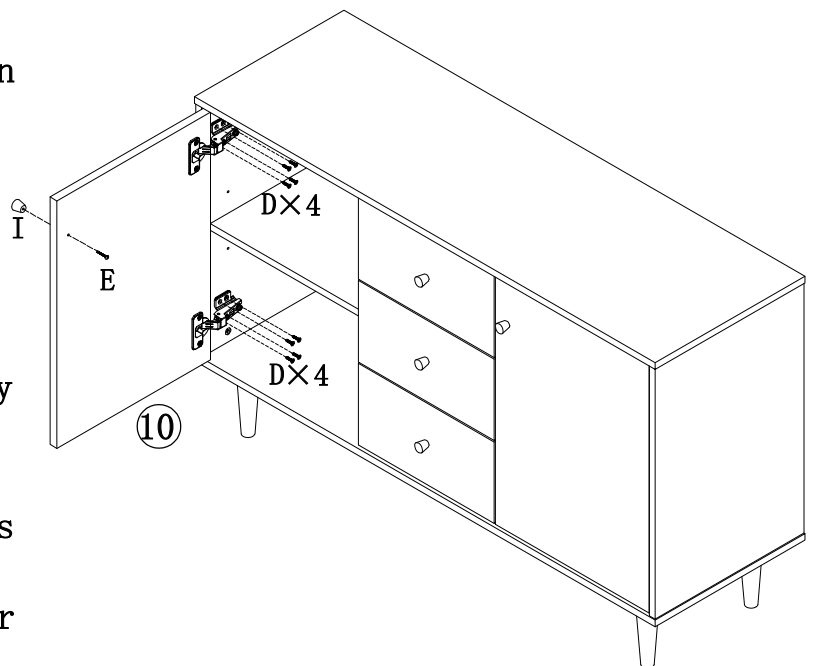
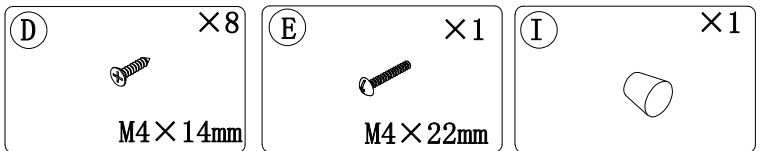
01 assemble H*2 into holes on the left, please do not 100% tighten screws until complete step02
 02 adjust door by up/down into proper place, tighten screws on step01
 03 assemble H*2 into holes on the right, please do not 100% tighten screws
 04 please loosen the screws to adjust door by left/right into proper place
 05 tighten all the screws after door on proper place when it is open or close



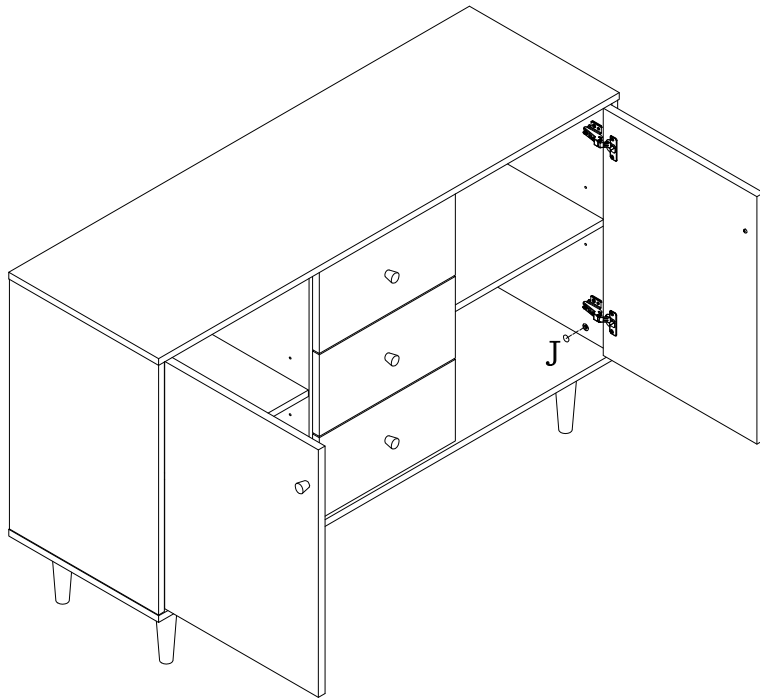
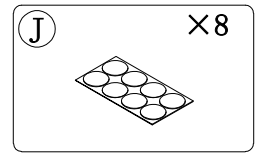
22



01 assemble H*2 into holes on the left, please do not 100% tighten screws until complete step02
 02 adjust door by up/down into proper place, tighten screws on step01
 03 assemble H*2 into holes on the right, please do not 100% tighten screws
 04 please loosen the screws to adjust door by left/right into proper place
 05 tighten all the screws after door on proper place when it is open or close



23



24

