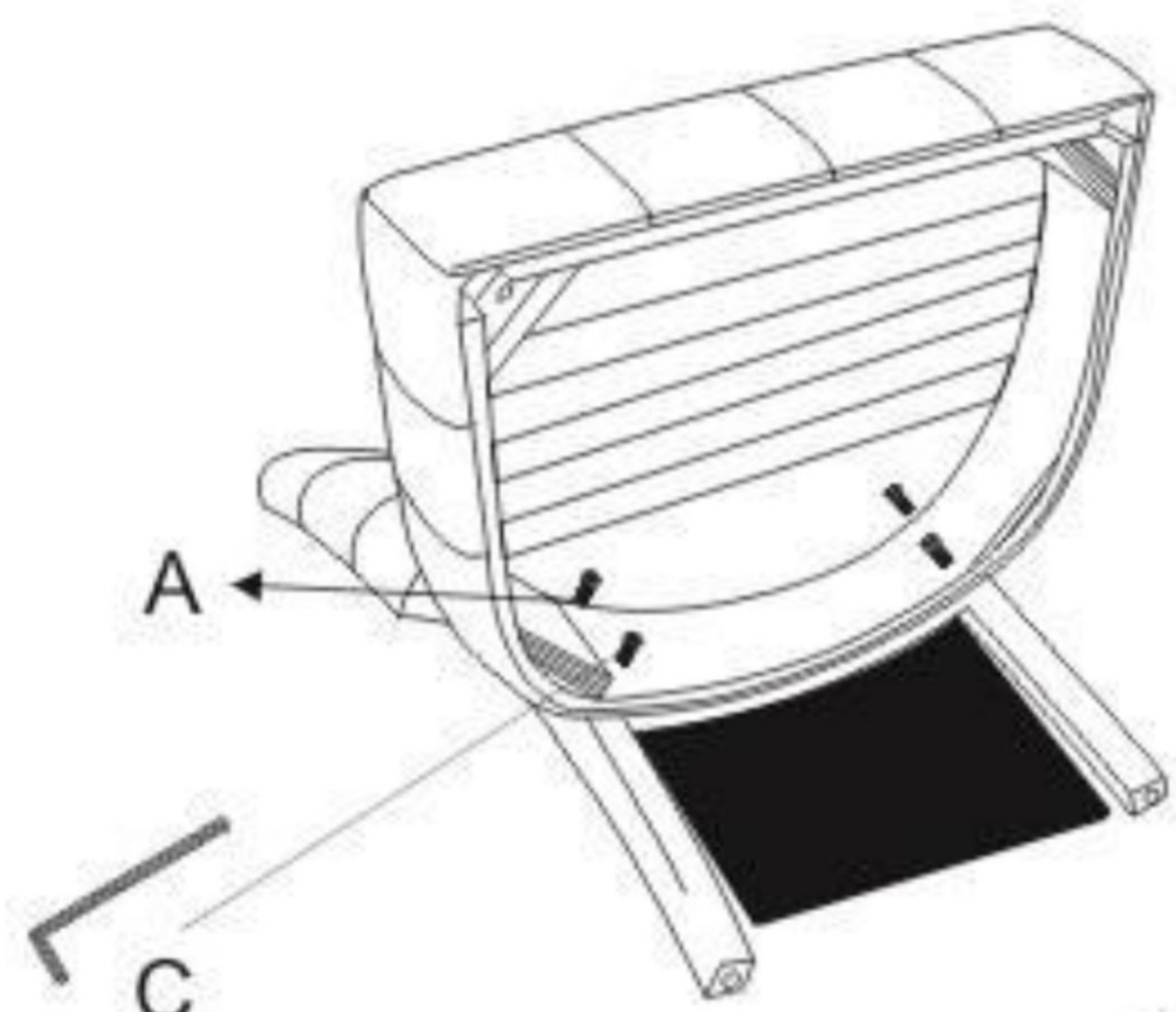
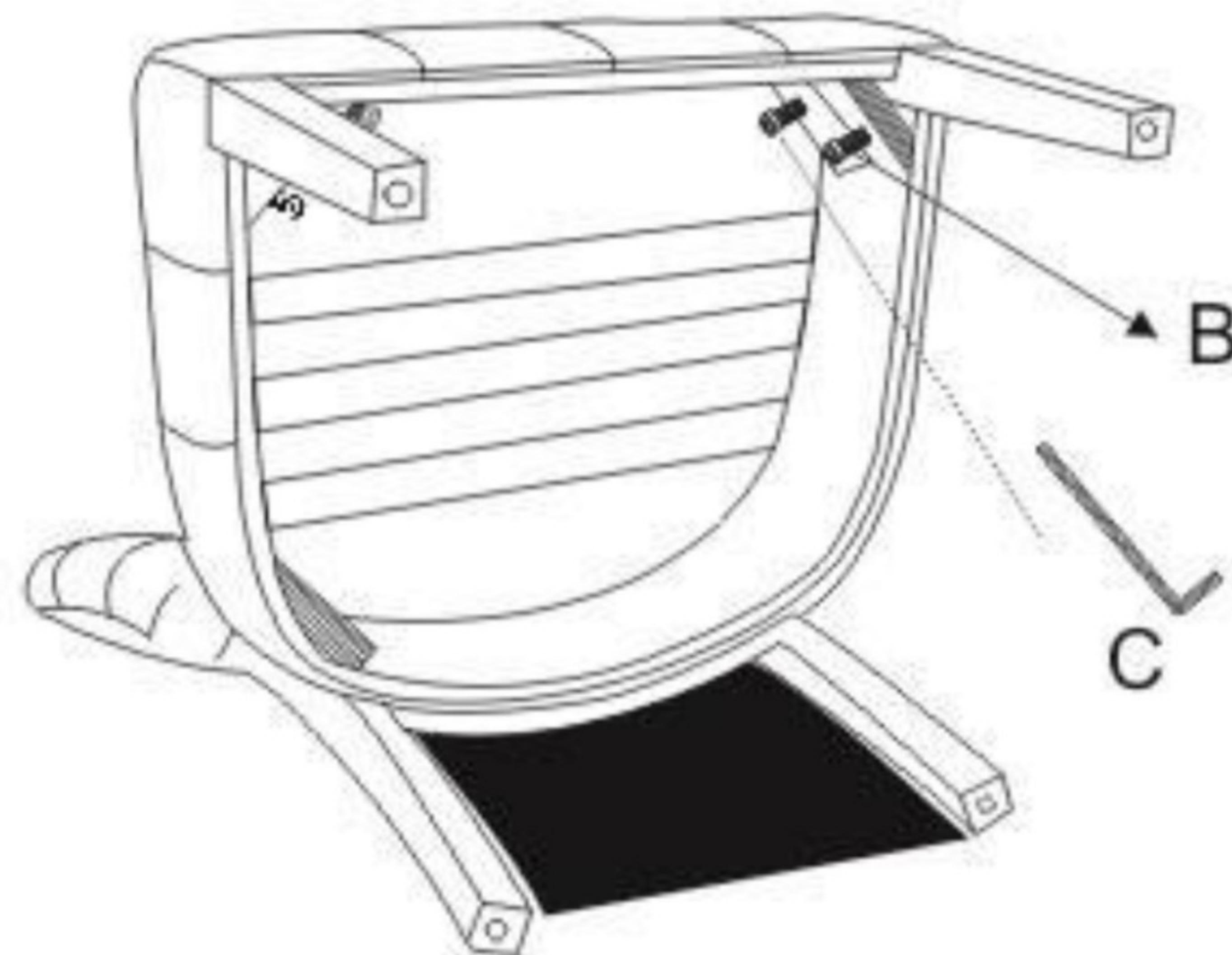


ASSEMBLY INSTRUCTION



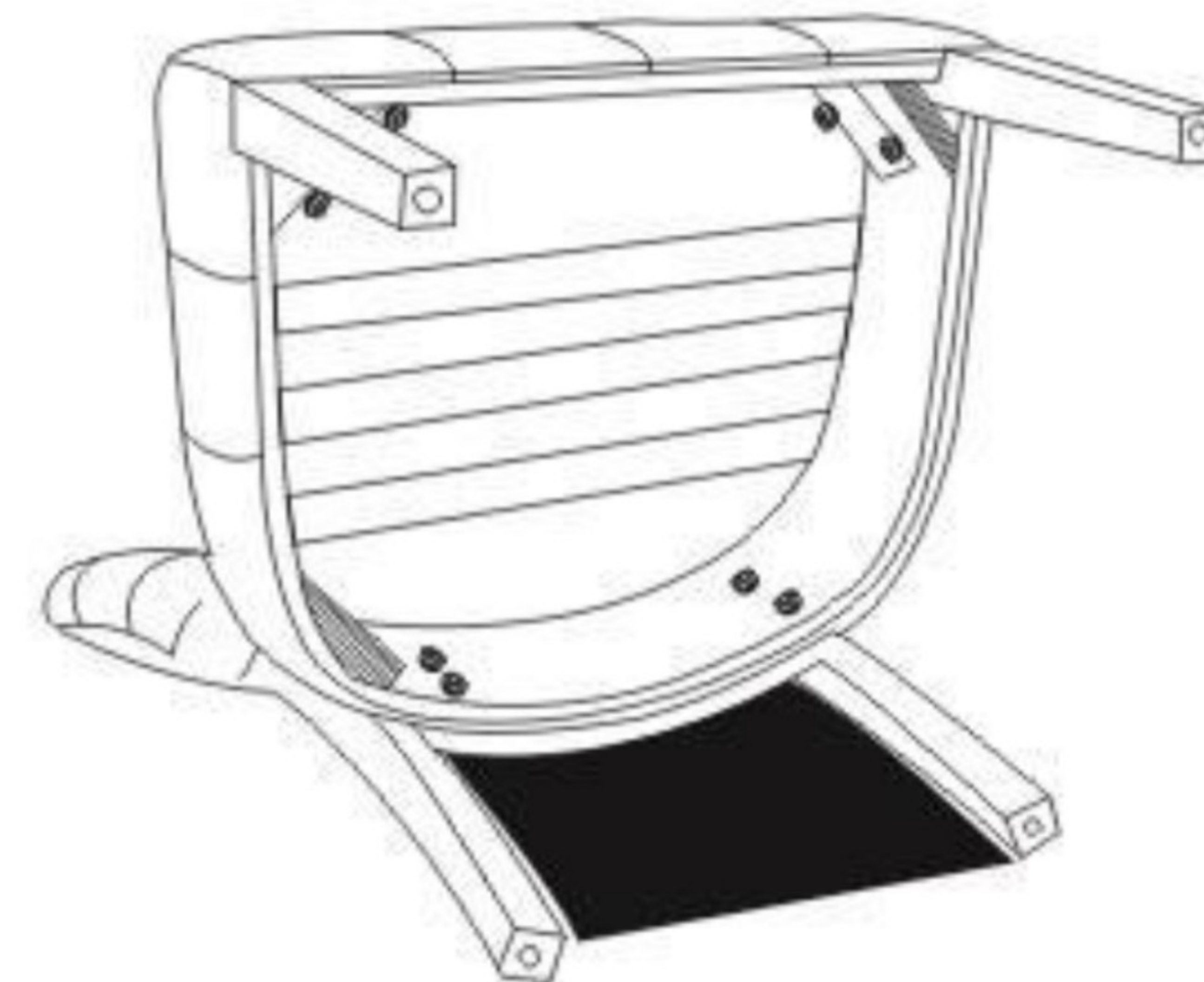
1

Put the screws in the holes, tight the screws, but not too tight, 90% is ok.



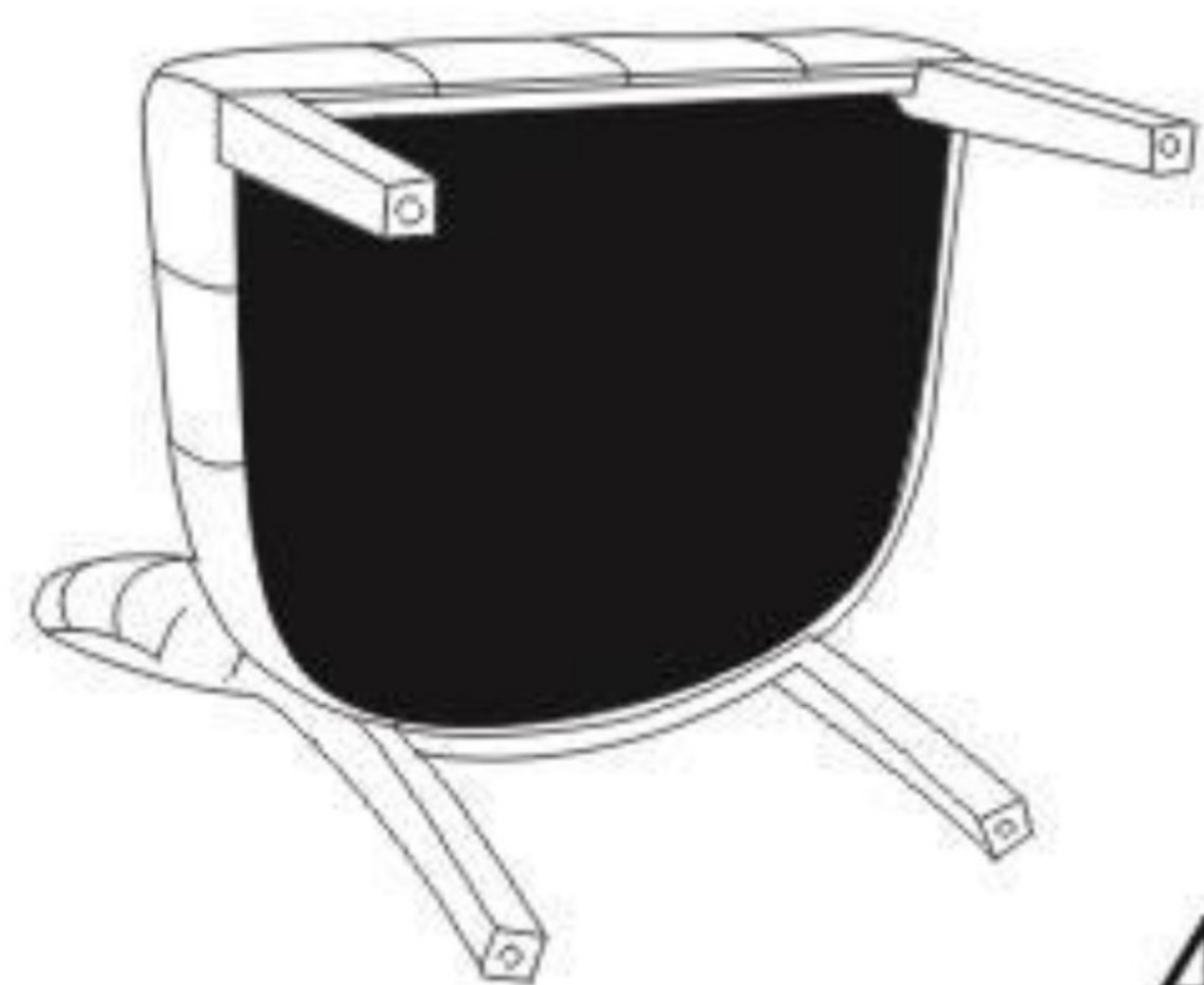
2

Put the screws in the holes, tight the screws, but not too tight, 90% is ok.



3

Stand the chair upright & ensure it is level before tightening all screws. Then tight all the screws to 100%

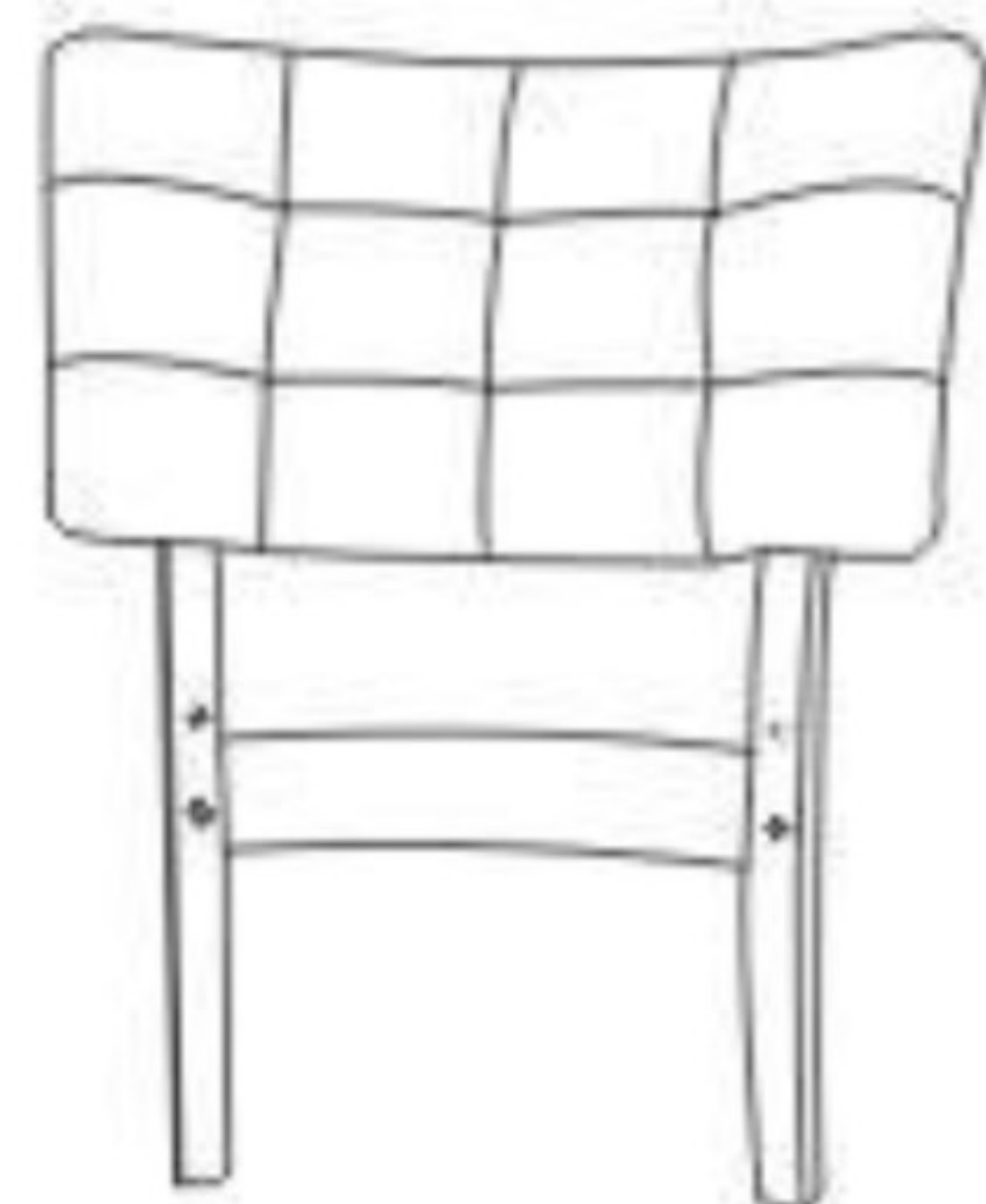
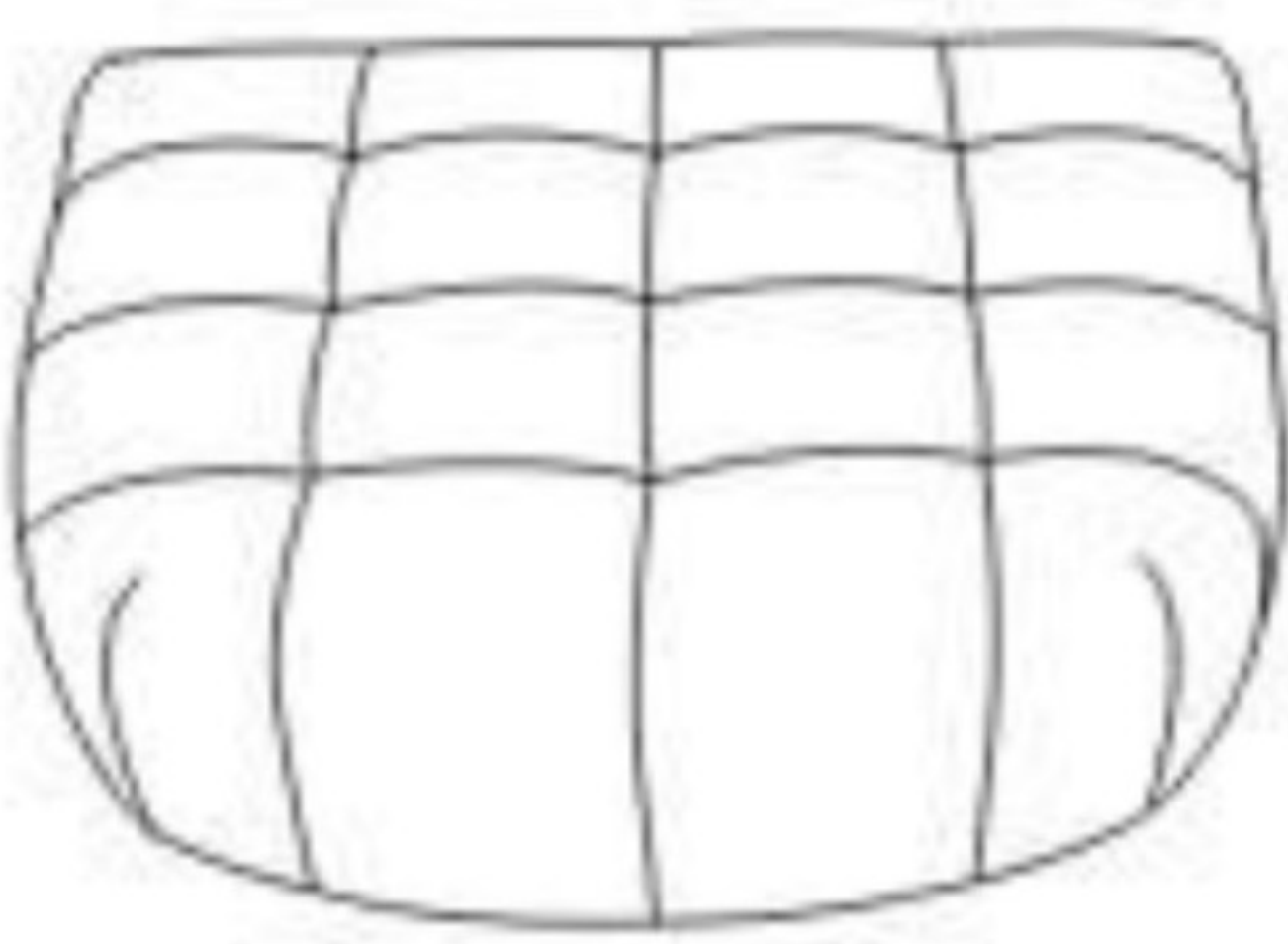


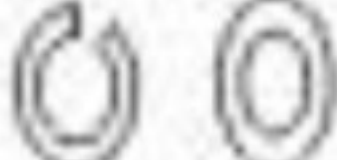







4

Stick the black part on the seat



5

		
Back 1PC	Seat 1PC	Leg 2PCS
A   	B   	C 
Size: M8X50mm 4PCS		Size: M8x60mm 4PCS

Please find hardware pack inside the dust cover underneath seat cushion

CAUTION: Leg and hardware pack inside dust cover underneath seat cushion