

Installation Manual

Jim's Maison

Good Choice!



BathroomVanity Bathtub Mirror MedicineCabinet ShowerDoor ShowerSystem Faucet Basin Toilet

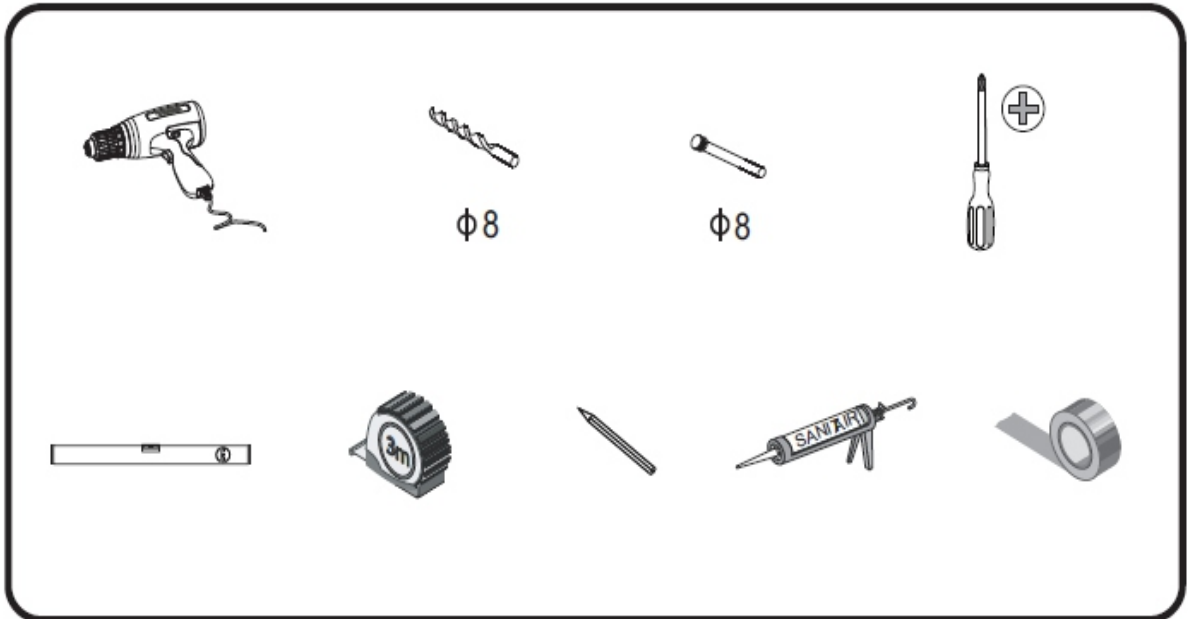
Service

WEBSITE
<http://jimsidea.com>

E-mail
service@jimsidea.com

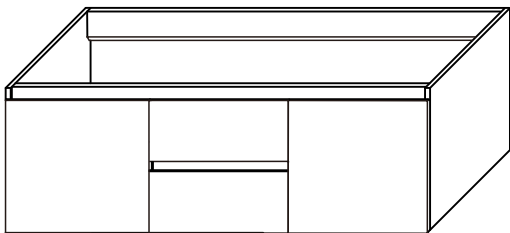
Phone
+1 213-254-4311

Tools List



Parts List

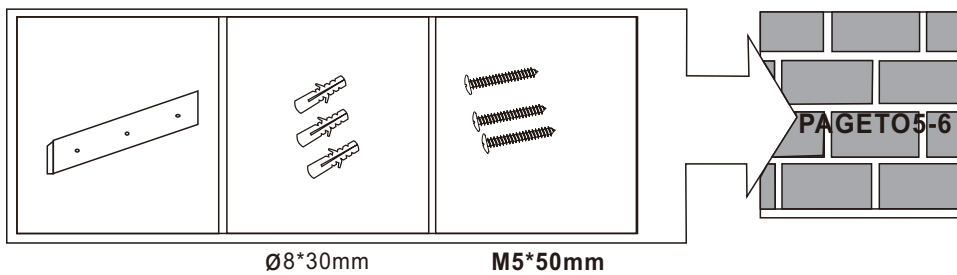
Cabinet



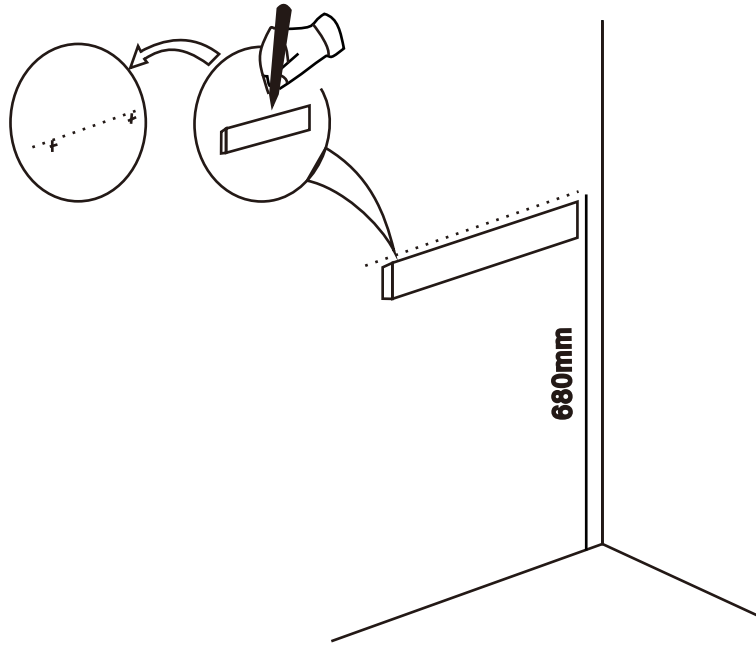
Basin



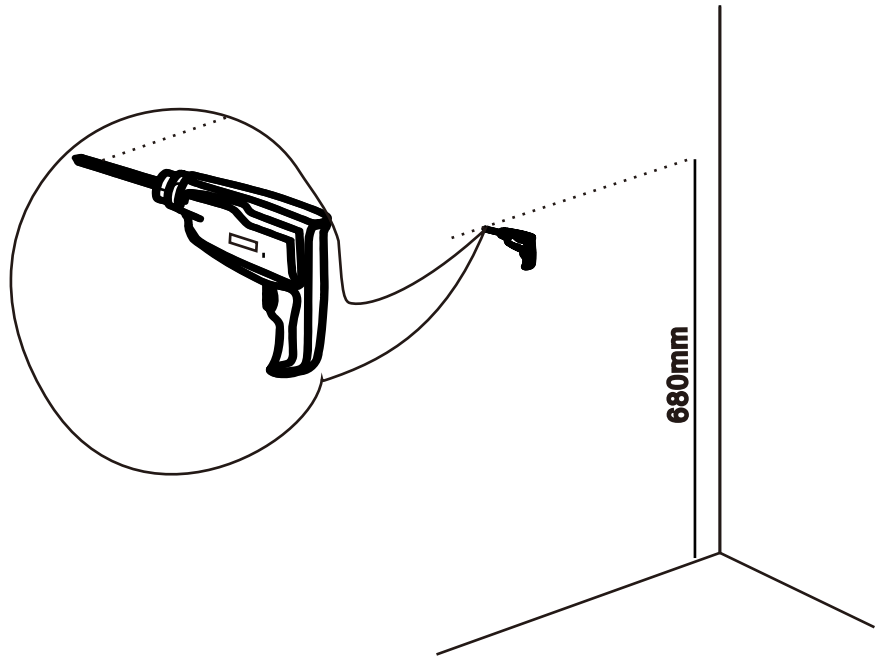
Fixed Accessories



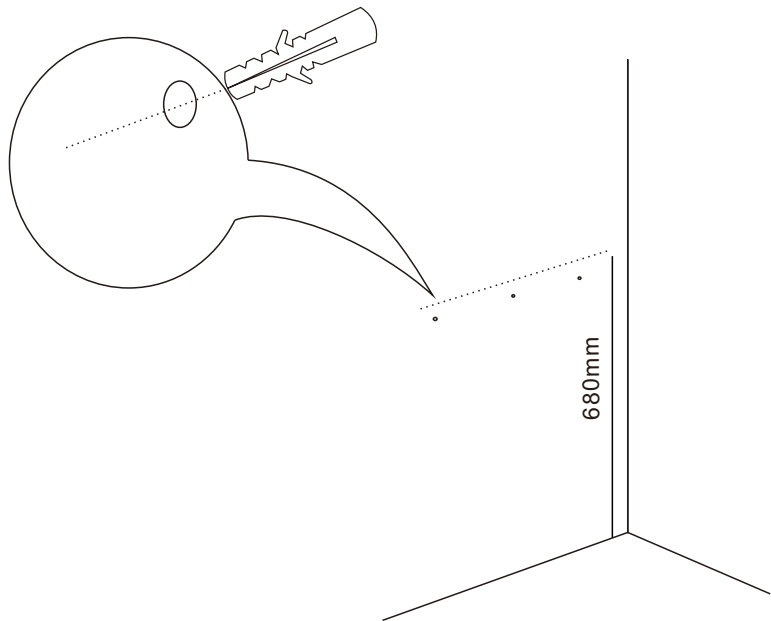
1



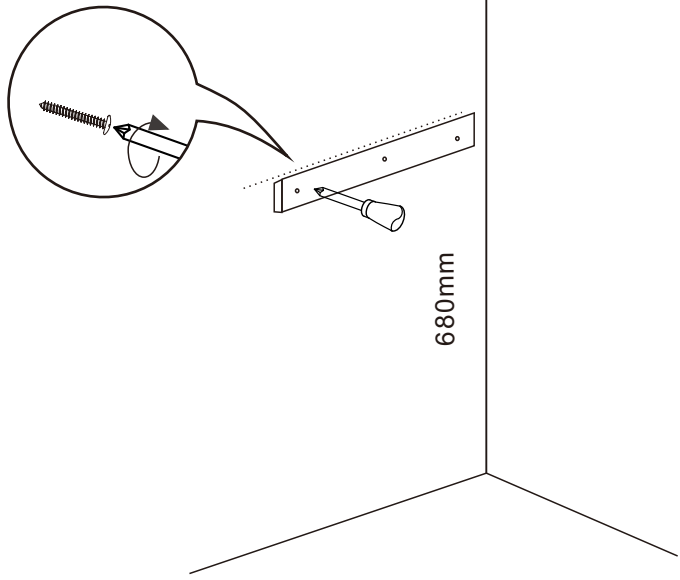
2



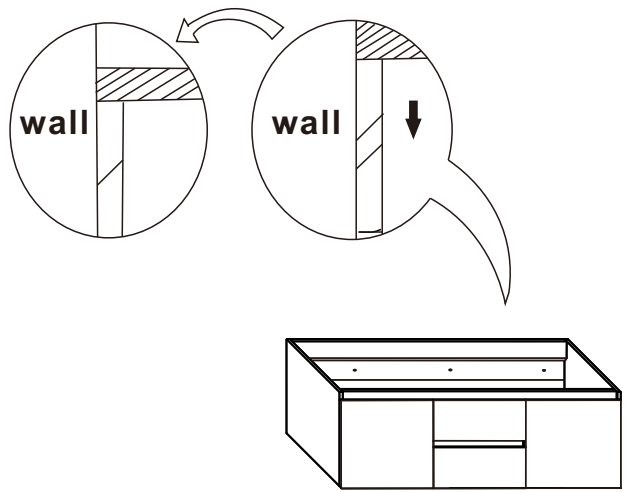
3



4



5



6

