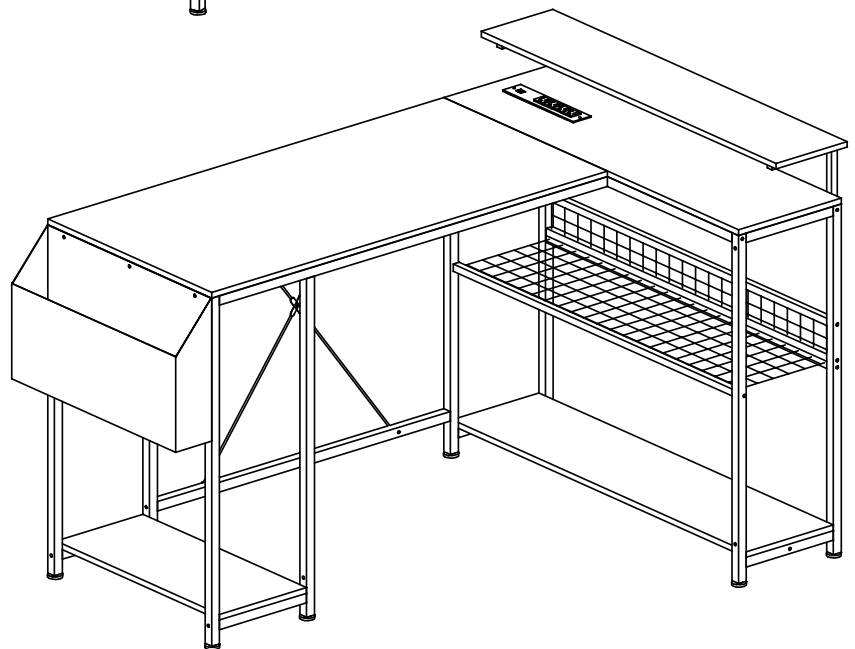
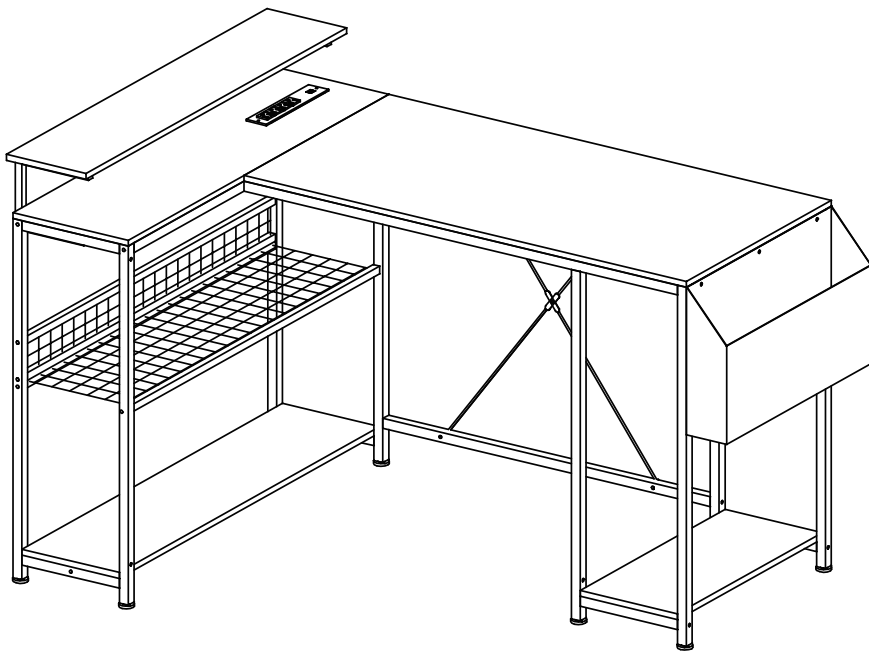
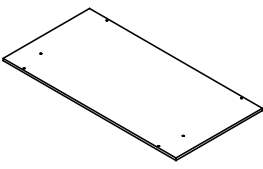
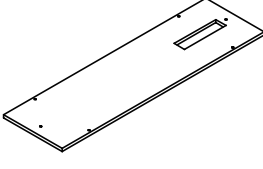
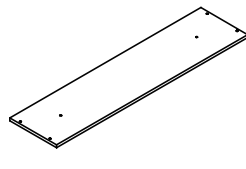
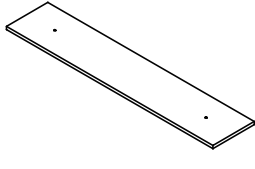
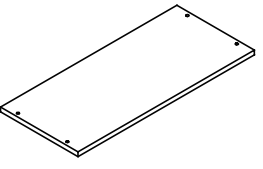
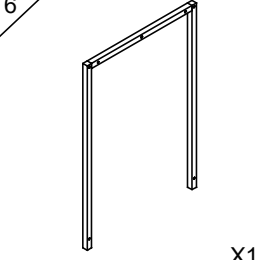
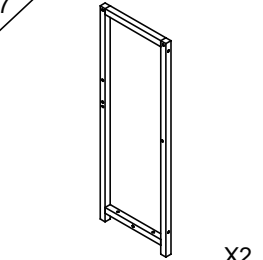
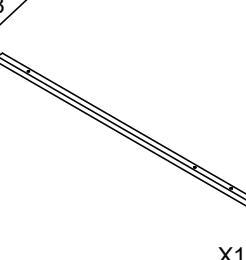
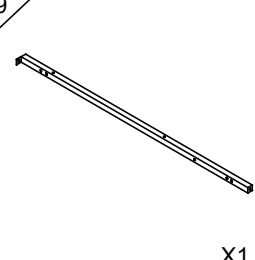
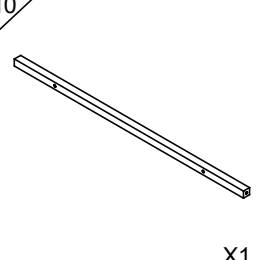
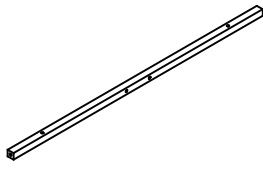
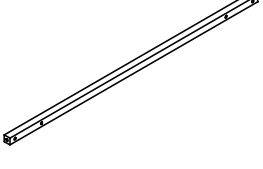
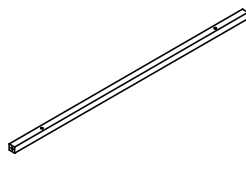
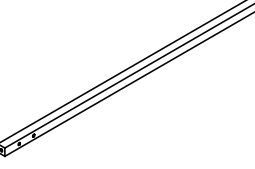
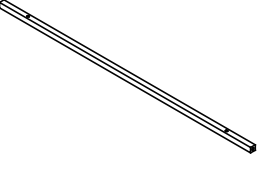
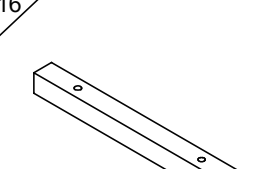
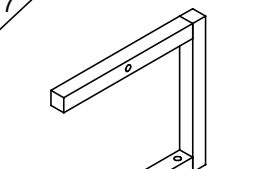
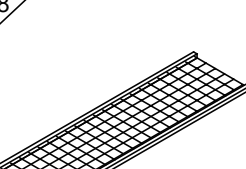
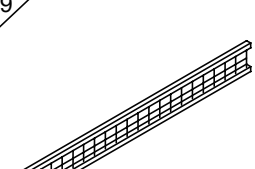
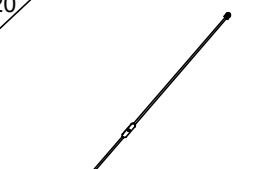
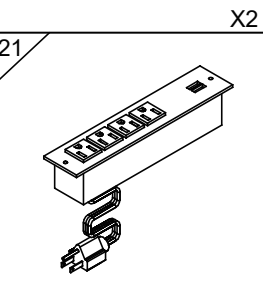
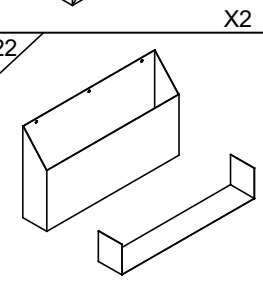
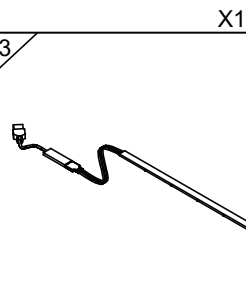





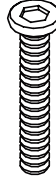
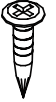


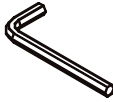

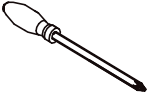
L-förmiger Schreibtisch



Parts List / Teile Liste

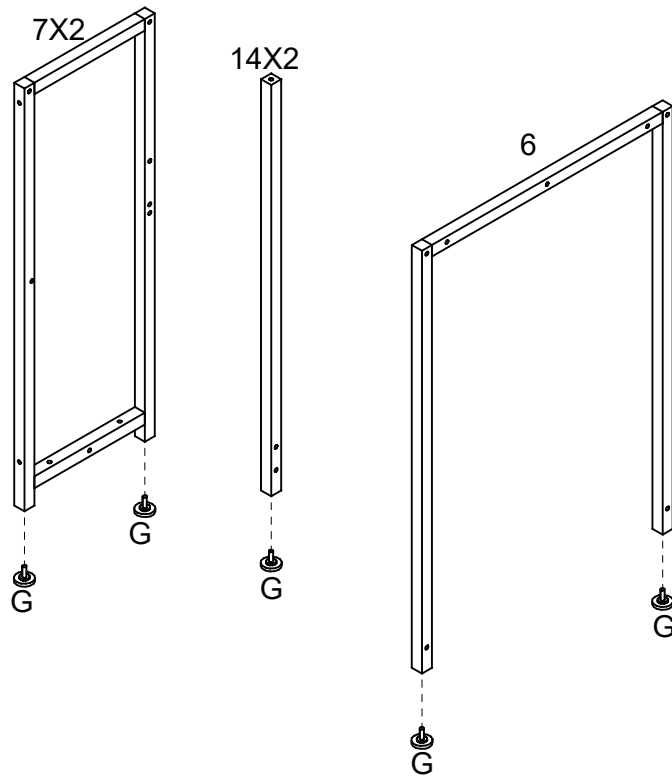
1  X1	2  X1	3  X1	4  X1	5  X1
6  X1	7  X2	8  X1	9  X1	10  X1
11  X1	12  X1	13  X1	14  X2	15  X1
16  X2	17  X2	18  X1	19  X1	20  X2
21  X1	22  X1	23  X1		

Parts List / Teile Liste

<p>A</p>  <p>M6X12 X4</p>	<p>B</p>  <p>M6X23 X6</p>	<p>C</p>  <p>M6X28 X48</p>	<p>D</p>  <p>M6X43 X2</p>	<p>E</p>  <p>M4X12 X2</p>
<p>F</p>  <p>M6 X6</p>	<p>G</p>  <p>M6 X8</p>			

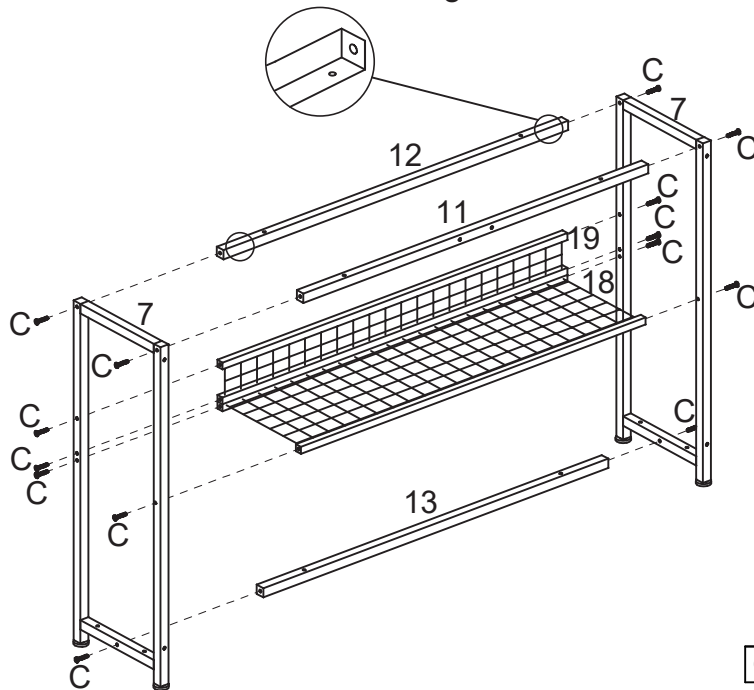
Assembly Steps / Montageschritte

STEP1



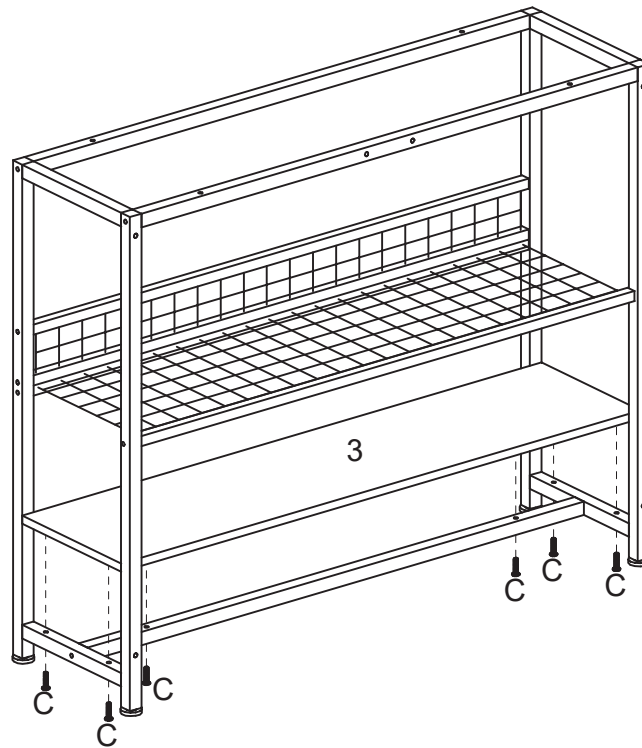
STEP2

The small hole is facing down



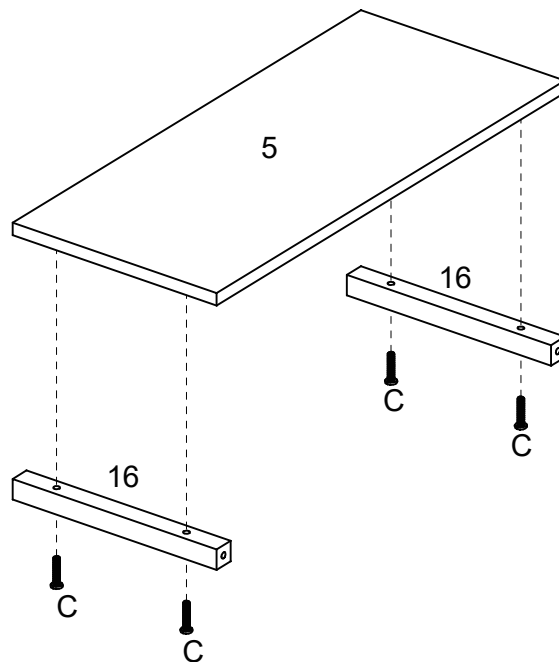
Assembly Steps / Montageschritte

STEP 3



C	M6X28	X6
---	-------	----

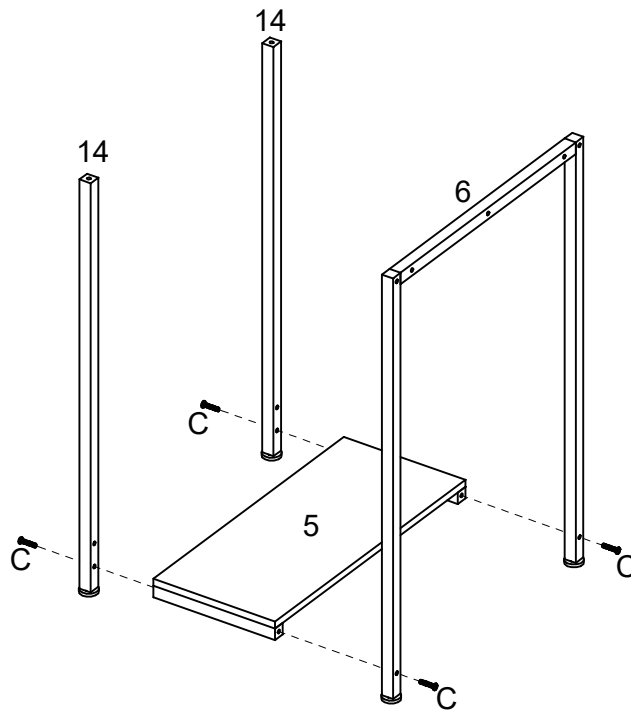
STEP 4



C	M6X28	X4
---	-------	----

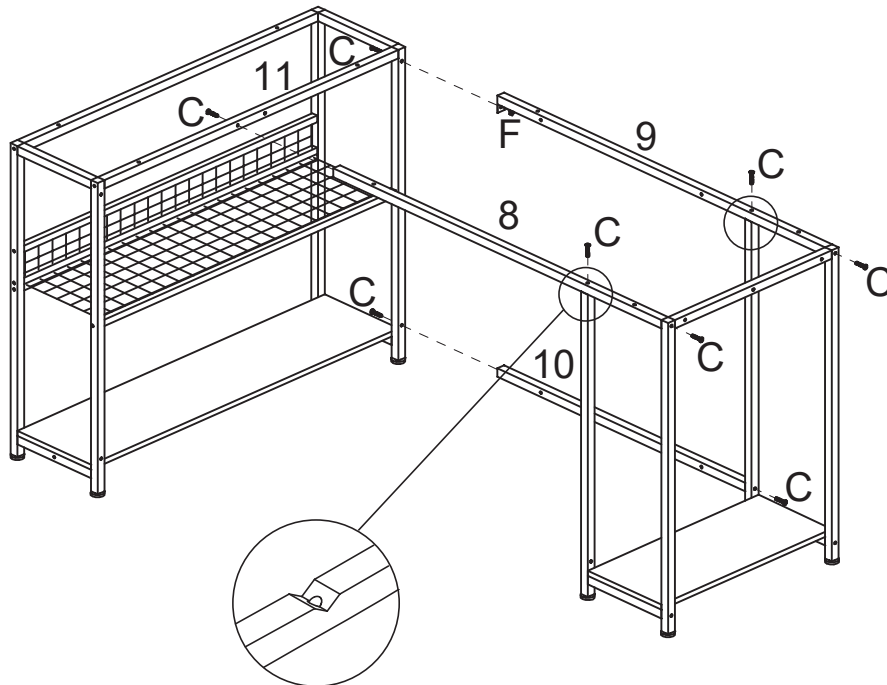
Assembly Steps / Montageschritte

STEP 5



C	M6X28	X4
---	-------	----

STEP 6

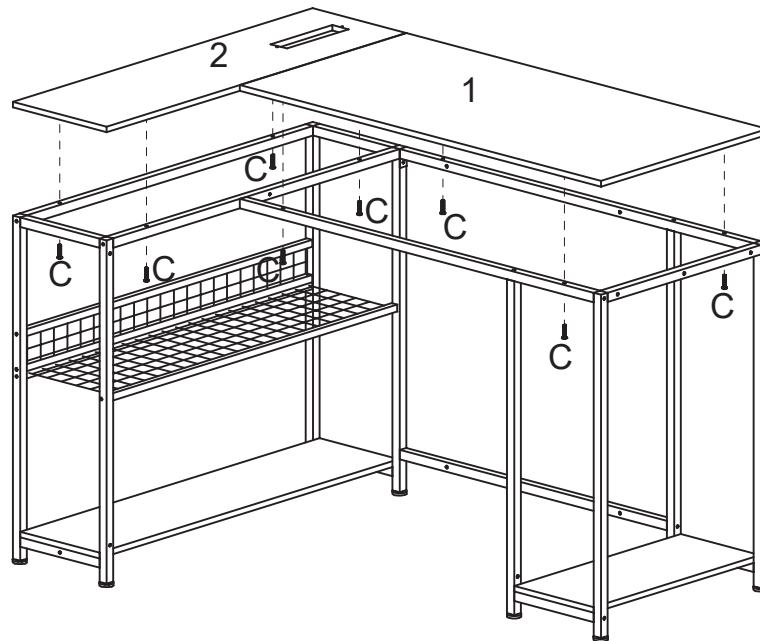


The big hole faces up

C	M6X28	X8
F	M6	X1

Assembly Steps / Montageschritte

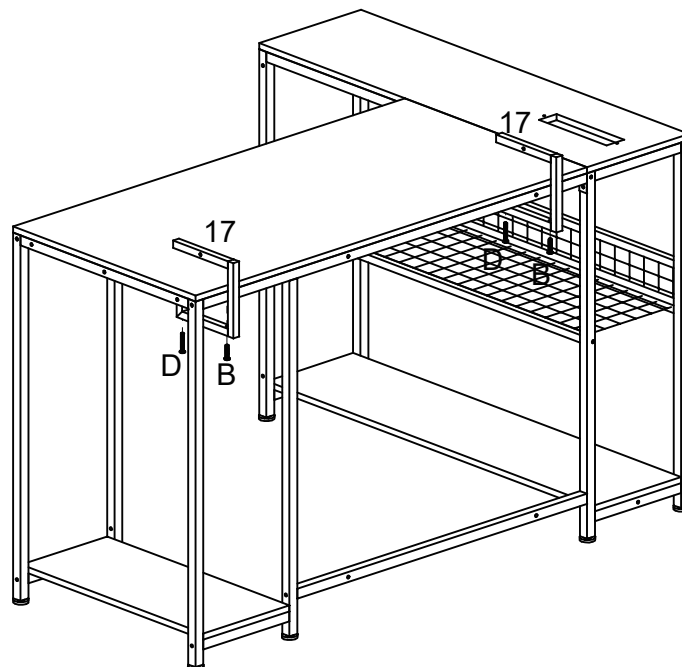
STEP 7



Clearance leveling and tighten the screws

C	M6X28	X8
---	-------	----

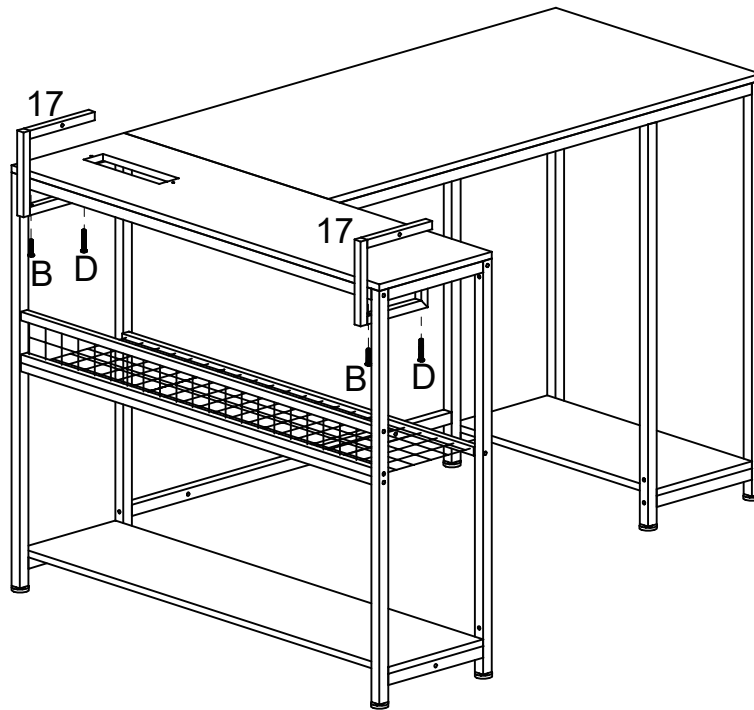
STEP 8



B	M6X23	X2
D	M6X43	X2

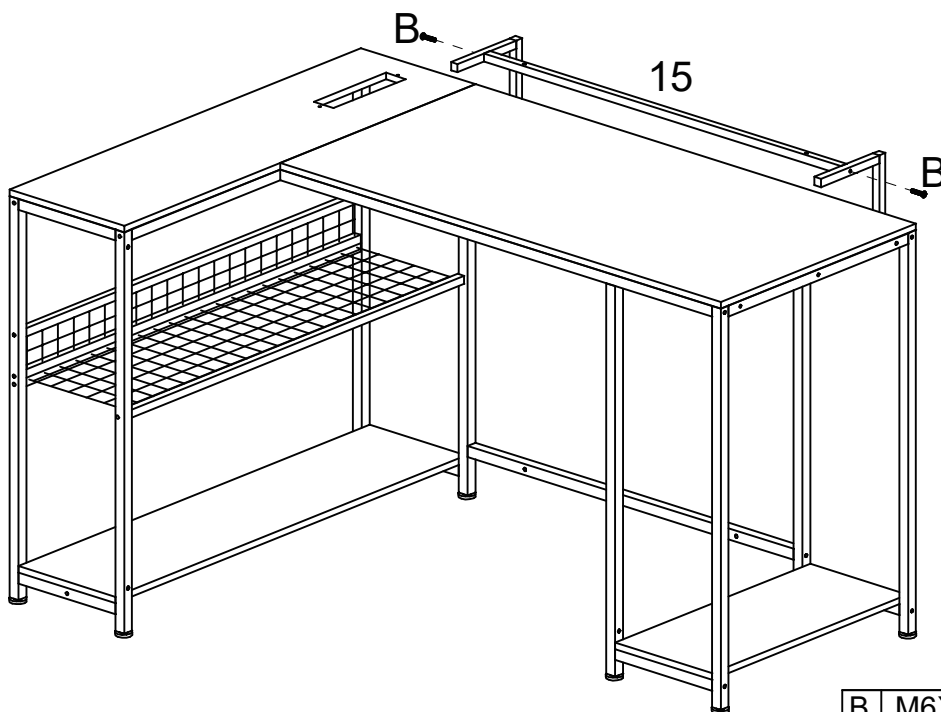
Assembly Steps / Montageschritte

OR



B	M6X23	X2
D	M6X43	X2

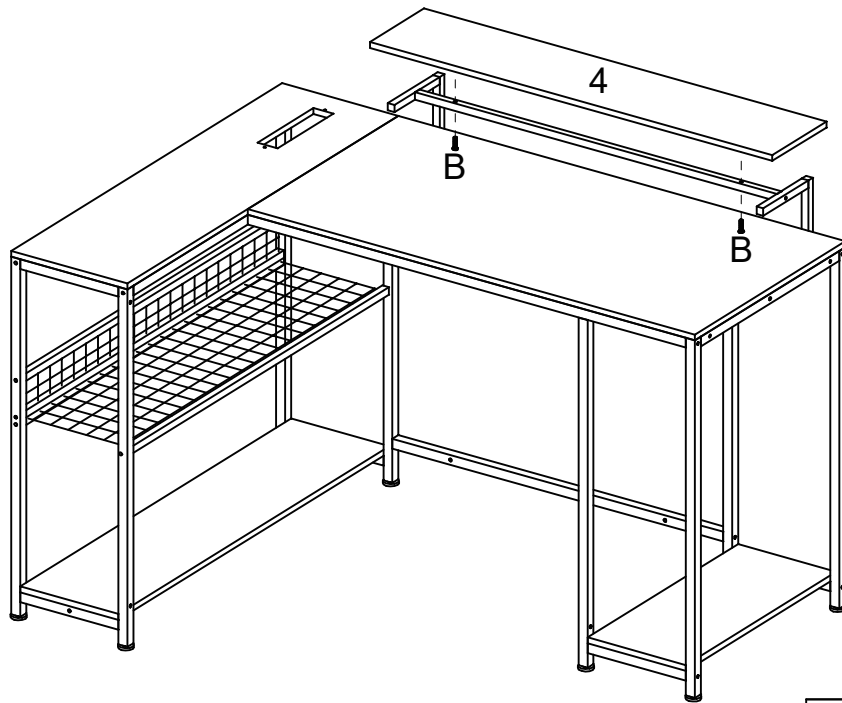
STEP 9



B	M6X23	X2
---	-------	----

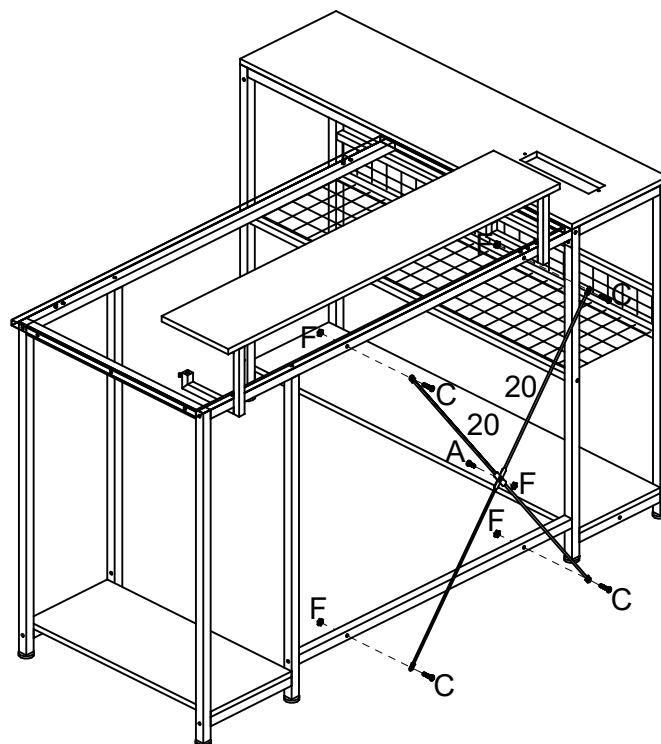
Assembly Steps / Montageschritte

STEP 10



B	M6X23	X2
---	-------	----

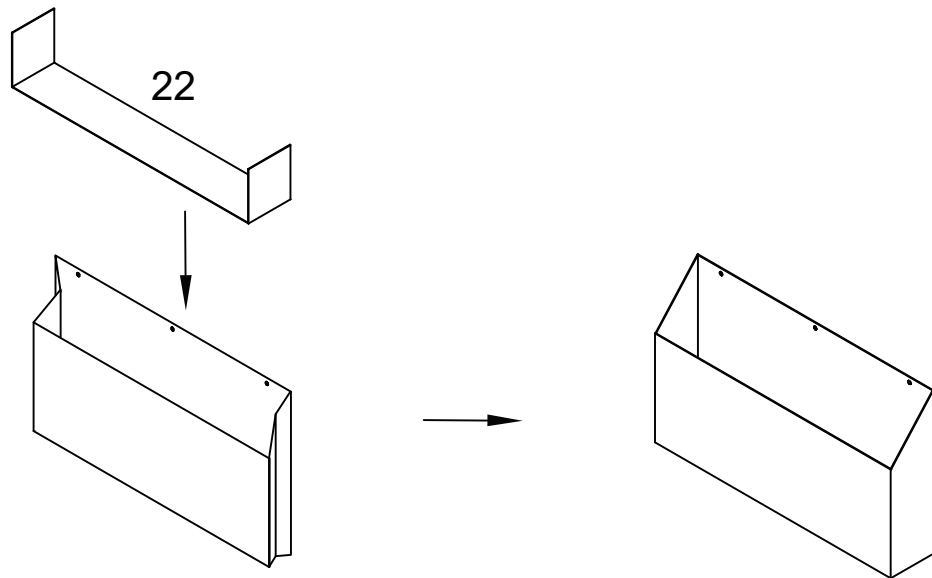
STEP 11



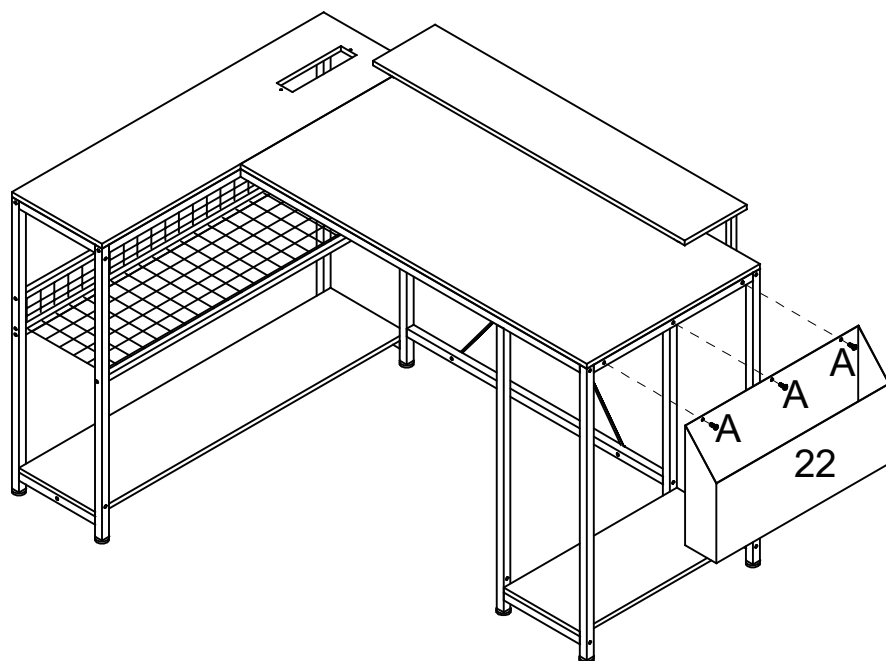
A	M6X12	X1
C	M6X28	X4
F	M6	X5

Assembly Steps / Montageschritte

STEP 12



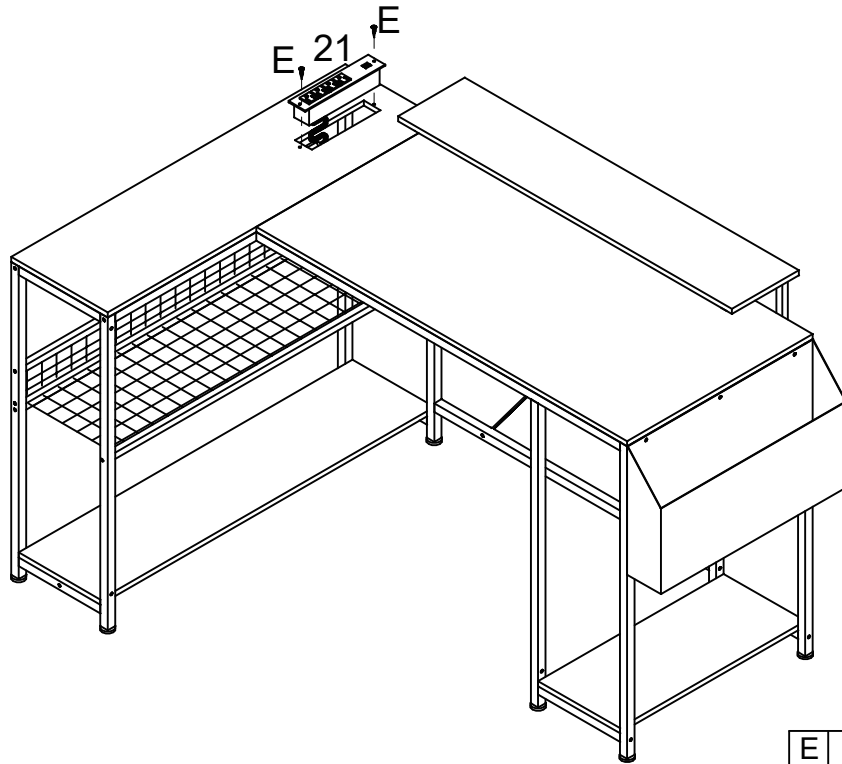
STEP 13



A	M6X12	X3
---	-------	----

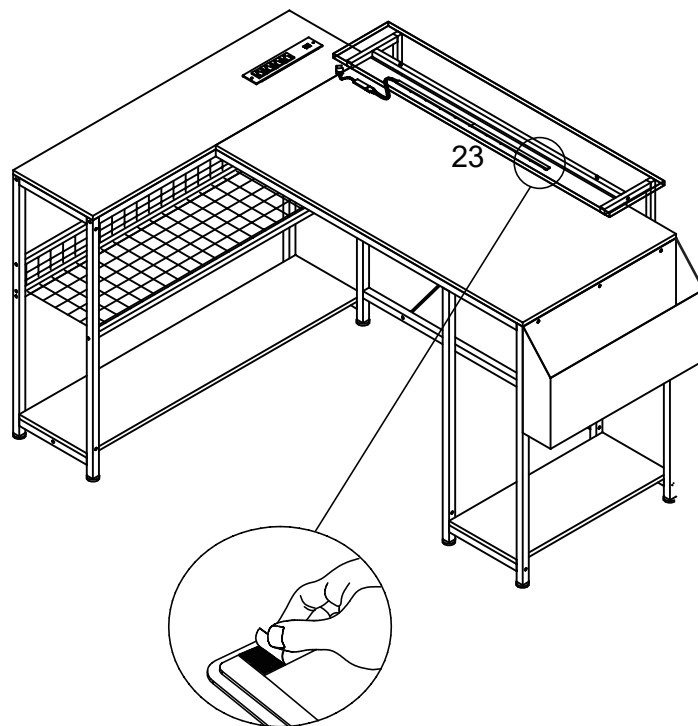
Assembly Steps / Montageschritte

STEP 14

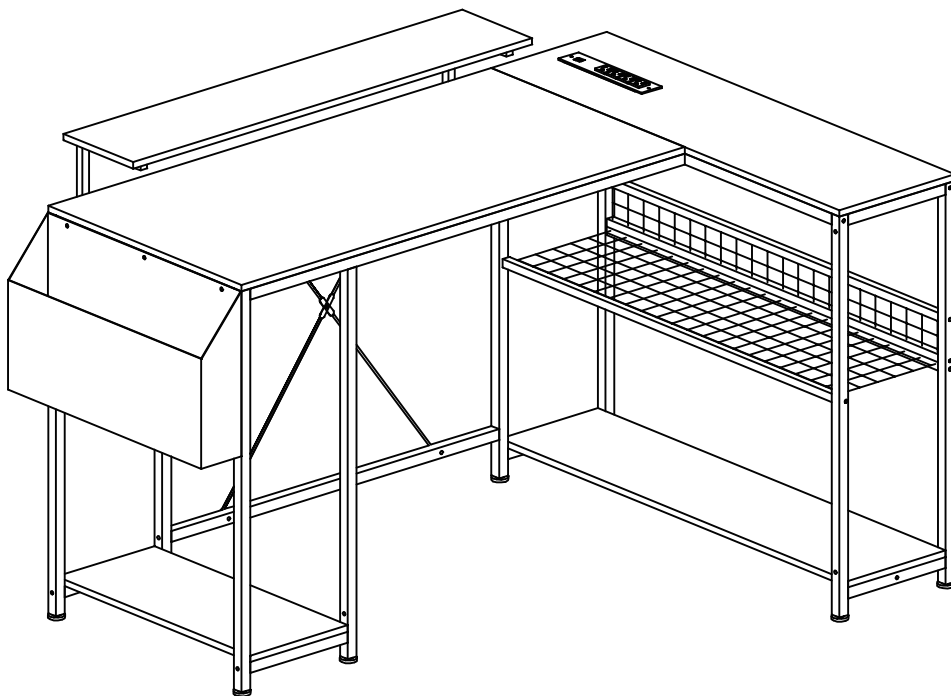
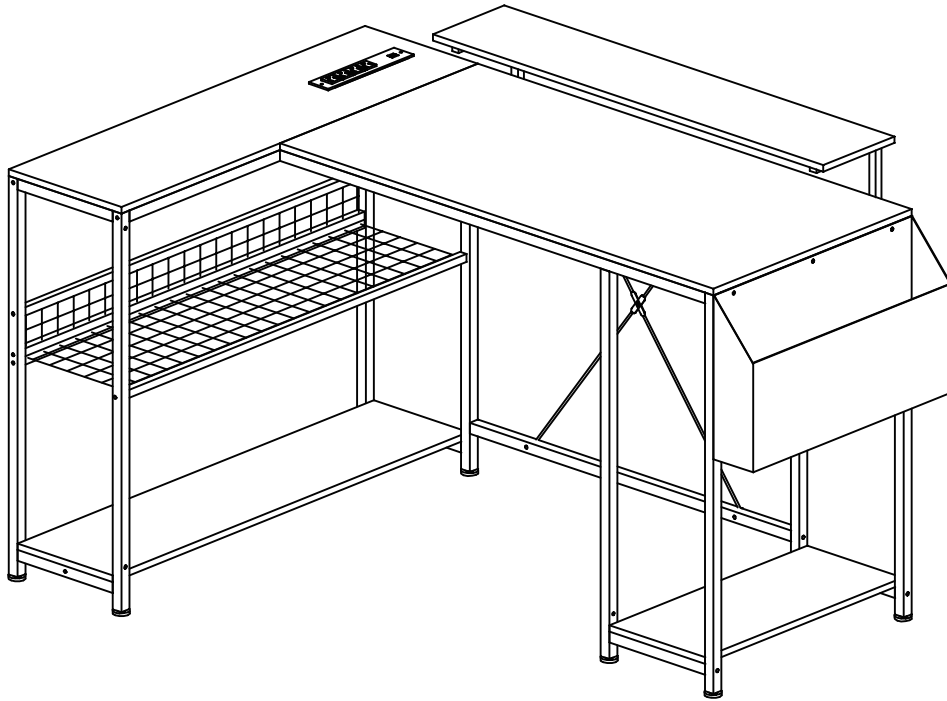


E	M4X12	X2
---	-------	----

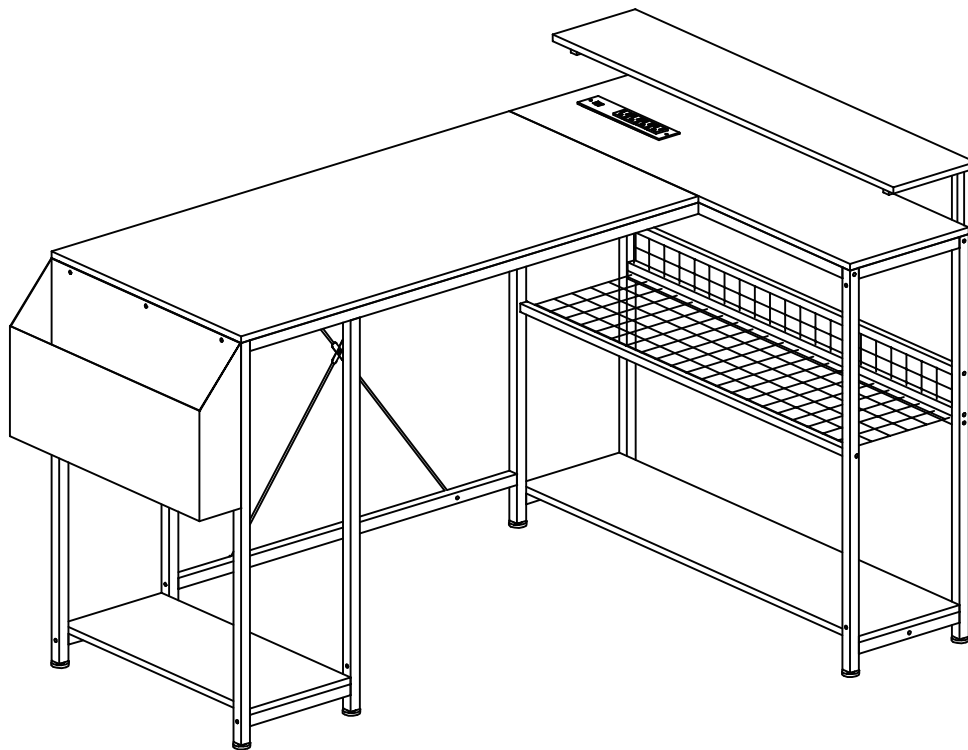
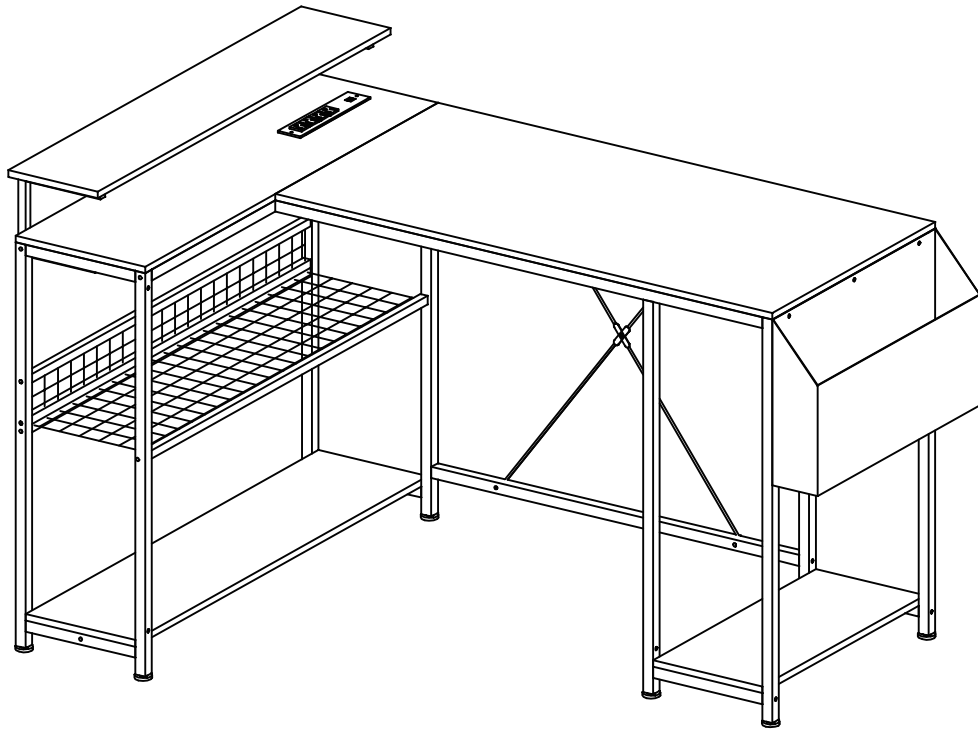
STEP 15



Assembly Steps / Montageschritte



Assembly Steps / Montageschritte



WARNING



Children have died from furniture tipover. To reduce the risk of furniture tipover:

ALWAYS install tipover restraint provided.

NEVER allow children to stand, climb or hang on drawers, doors, or shelves.

NEVER open more than one drawer at a time.

Place heaviest items in the lowest drawers.