

# OPTIMUS

## Instruction Manual and Owner's Guide

16 Inch Oscillating Stand Fan  
With Remote Control  
Model: F-1672BK-F



**INFORMATION HOTLINE:** If you have any questions or comments after reading this owner's guide, please feel free to write us or call us at 1-888-672-5832 or [service@optimusent.com](mailto:service@optimusent.com). Our customer service representative will be happy to help you.

**PLEASE READ AND SAVE THESE INSTRUCTIONS**

## IMPORTANT INSTRUCTIONS:

Thank you for choosing an Optimus product. To ensure the best performance from this product, please read and save the following instructions.

WHEN USING ELECTRIC APPLIANCES, BASIC PRECAUTIONS SHOULD ALWAYS BE FOLLOWED TO REDUCE THE RISK OF FIRE, ELECTRIC SHOCK AND INJURY.

- Read all instructions before using this product.
- Use this product only as described in this manual. Any other use not recommended by the manufacturer may cause fire, electrical shock or injury, and may void the warranty.
- Do not plug the AC cord into the outlet until the product has been completely assembled.
- Use power source of the product according to electric nameplate under the base.
- Never operate the fan with a cracked or damaged fan blade or fan housing.
- Always unplug unit before assembly, disassembly, cleaning, moving or when not in use.
- To disconnect the product, turn the unit OFF, grip the plug and pull it from the wall outlet. Never pull the plug by the cord
- The use of attachments not recommended or sold by the manufacturer may cause injury.
- Avoid contact with moving parts.
- DO NOT operate the product with a damaged cord or plug. Discard the product after a malfunction or after being dropped or damaged in any manner.
- Do not hang or mount the product on a wall or ceiling.
- Do not operate the product in the presence of explosive and/or flammable fumes.
- Do not place the product or any parts near an open flame, cooking or other heating appliances.
- To avoid electric shock, do not immerse cord, plug or any parts of the product in water or spray with liquids.
- This product is not intended for use by persons (including children) with reduced physical, sensory or mental capabilities, or lack of experience or knowledge, unless they have been given supervision or instruction concerning the use of the product by a person responsible for their safety.
- Children should be supervised to ensure that they do not play with the product.
- This product is intended for household use only and not for commercial or industrial use. Do not use outdoors.
- Always use on a dry level surface.
- Do not operate if the product housing is removed or damaged.
- **A loose fit between the AC outlet and plug may cause the plug to overheat.** Have a qualified electrician replace the outlet.
- This product is equipped with a polarized alternating current line plug (a plug having one blade wider than the other). This plug fits into the power outlet only one way. This is a safety feature. If you are unable to insert the plug fully into the outlet, try reversing the plug. If the plug should still fail to fit, contact an electrician to replace the outlet. Do not defeat the safety purpose of the polarized plug.
- **NEVER** connect the product to any power sources other than a 120 volt alternating current polarized outlet.
- **Do not run cord under carpeting.** Do not cover cord with throw rugs, runners, or similar coverings. Do not route cord under furniture or appliances. Arrange cord away from traffic areas where it might be tripped over.

### WARNING:

- TO REDUCE THE RISK OF FIRE OR ELECTRIC SHOCK, DO NOT USE THIS PRODUCT WITH ANY SOLID-STATE SPEED CONTROL DEVICE.
- DO NOT INSERT FINGER OR ANY OBJECT INTO GRILL.
- TO PREVENT ELECTRIC SHOCK, MATCH WIDE BLADE OF PLUG TO WIDE SLOT, AND FULLY INSERT THE BLADES.
- UNPLUG THIS PRODUCT FROM THE POWER SUPPLY BEFORE SERVICE.
- IF THE POWER CORD IS DAMAGED, IT SHOULD BE REPLACED BY THE MANUFACTURER, ITS AGENT LICENSED OR QUALIFIED FOR SERVICE TO AVOID A HAZARD.

# OPERATING INSTRUCTIONS:

## SETTING UP

- Carefully remove your fan from the box (please save the carton for off-season storage).
- Make sure the unit is in the OFF position before plugging the unit into the outlet.
- For shipping purposes, the fan is packed unassembled.

## ASSEMBLY

**Step 1:** Screw the fixing plate (15) out of the standing shaft(13) in a **counterclockwise** direction. Put the standing shaft (15) into the base (14). Attach the fixing plate (15) with the fixing screw (16) from the bottom of the base (14) in a **clockwise** direction so that the standing shaft (13) and the base (14) are attached firmly.

**Step 2:** Loosen the Height Adjustment control collar (12) and adjust the inner pipe (11) to the height needed.

**Step 3:** Take Fan Motor Housing (9) and insert it into inner pipe (11) and tighten Set Screw Knob (10).

**Step 4:** Assemble Rear Grill (5) onto Motor Housing. Rear Grill (5) should fit into pins on fan motor. Note: Wire handle should be on top.

**Step 5:** Thread Lock Nut (4) onto Motor Housing to Lock Rear Grill (5) in place

**Step 6:** Remove any protective covering over shaft before Fan Blade installation. Place Fan Blade (3) onto Motor shaft. Notice the pin on Motor Shaft should fit into slot of fan blade.

**Step 7:** Thread Blade cap (2) onto threaded end of Motor Shaft.

**Step 8:** Attach Front Grill (1) to Rear Grill (5) with Hook Clip centered on the top above Wire Handle.

**Step 9:** Lock the remaining Clips in place and secure it with Screw (17). Do not operate the fan without Grille in place.

## OPERATING

Always operate the fan in the upright position following all instructions and recommendations listed in this manual **FAN LOCATION:** Place the fan in the area of the room that will provide proper fan cooling. **FAN CONNECTION:** Plug fan directly into 120 volt A.C., 60Hz wall outlet. Be sure plug fits tightly in outlet. A loose connection may cause overheating and damage to the plug or fan. **NOTE:** To prevent overloading a circuit, do not plug the fan into a circuit that is servicing other electrical needs.

**TURNING FAN ON/OFF:** Place fan on stable level surface. Plug fan into proper grounded outlet. To start the fan, press ON/SPEED button. Press ON/SPEED repeatedly to desired fan speed (1, 2 or 3). Press OFF to discontinue use. Unplug fan when not in use.

**OSCILLATION:** To start fan oscillation, press Oscillation Control Knob(located above motor housing) down. To stop oscillation function, pull Oscillation Control Knob up while the fan is in any oscillation position.

**REMOTE CONTROL:** Place 2 AAA size batteries (not included) in the remote control. Use the buttons on the remote as you would with the control panel. Point the remote control towards the control panel for the sensor to receive a signal.

**TIMER FEATURE:** The timer function is designed to work using oscillation or any fan speed. With a fan speed chosen pressed a time duration indicator light illuminates (1, 2 or 4 hours). To turn the timer function off, press the TIME button continuously until all the timer indicator lights are off.

## CLEANING

### During Season Care:

- Before cleaning, be sure to turn off and unplug the unit.
- Keep the fan clean. Carefully wipe the unit with a soft, damp cloth. Please be very cautious near the motor.
- DO NOT immerse the fan in water and never allow water to drip into the Motor Housing.
- Never use gasoline, benzene or thinner. This will damage the surface of the unit.
- After cleaning, be sure to completely dry the unit with a cloth or towel.

### After Season Care:

- Your fan can be stored in the off-season.
- Before putting the fan in storage, clean it thoroughly, cover it with a vinyl bag, and store it in a cool and dry place. We recommend using the original (or appropriately sized) box.

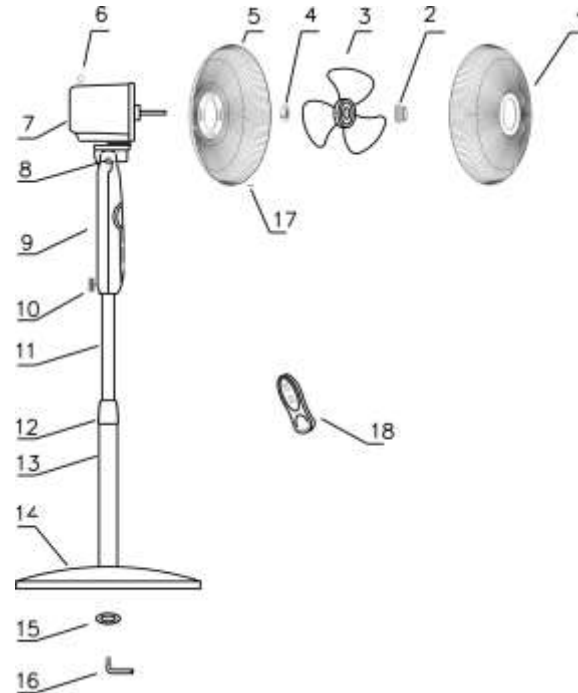
## MAINTENANCE INSTRUCTIONS:

This product employs overload protection (fuse). A blown fuse indicates an overload or short-circuit situation. If the fuse blows, unplug the product from the outlet. Replace the fuse as following servicing instructions (follow product marking for proper fuse rating) and check the product. If the replacement fuse blows, a short-circuit may be present and the product should be discarded or returned to an authorized service facility for examination and/or repair.

**A loose fit between the AC outlet and plug may cause over heating of the plug. If the plug overheats, it might cut off the fuse inside the power cord plug.**

### If your fuse access cover is located on the side of the plug:

- Grasp plug and remove from the receptacle or other outlet device. Do not yank the cord to unplug.
- Select a suitable tool such as a small flat screwdriver or travel scissors.
- To open the fuse cover. Slide open fuse access cover on top of attachment plug toward blades. (see fig.1)
- Carefully remove the fuse by prying it out. (see fig.2)
- Risk of fire can result by using wrong fuse rating. Replace fuse only with 2.5 Amp, 125 Volt rating.
- To close the fuse access cover. Slide to close access cover on top of attachment plug. (see fig.3)





**Fig.1**



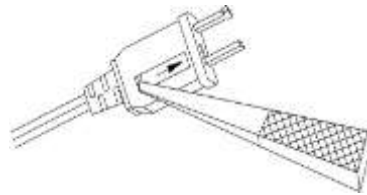
**Fig.2**



**Fig.3**

**If your fuse access cover is located on the face of the plug:**

- Grasp plug and remove from the receptacle or other outlet device. Do not yank the cord to unplug.
- Select a suitable tool such as a small flat screwdriver or travel scissors.
- To open the fuse cover. Press the tool down, and then pry the protection door off of the face of the plug. (see fig. #1)
- Continue to remove protection door until you can access the fuse below. (see fig. #2)
- Carefully remove the fuse by prying it out.
- Risk of fire can result by using wrong fuse rating. Replace fuse only with 2.5 Amp, 125 Volt rating.
- To close the Close fuse cover. Push the protection door back onto the face of the plug and press it securely in place.



**SERVICE AND REPAIR:**

- Do not attempt to repair or adjust any electrical or mechanical functions on this unit. Doing so will void the warranty.
- If you have any questions regarding this unit's operation or believe any repair is necessary, please call 1-888-672-5832 to speak with a Customer Service Representative. Or e-mail us at [Service@optimusent.com](mailto:Service@optimusent.com). E-mail will be easier to get answer.
- If you need to exchange the unit, please return it, in its original carton with a sales receipt enclosed, to the store where you purchased the unit.
- If you are returning the unit more than 30 days after the date of purchase, please see the enclosed warranty for return procedure.
- If you have any other question or comments, feel free to write us:

Optimus Enterprise, Inc.  
 Customer Service Department  
 2201 E. Winston Road, Unit #J. Anaheim, CA 92806  
 Tel: (714) 956-1300 FAX: (714) 956-1311  
 E-mail: [Service@optimusent.com](mailto:Service@optimusent.com)

**WARRANTY**

For your own records, staple or attach your sales receipt to this manual. Please also write the store name /location and date purchased below.

STORE NAME/LOCATION: \_\_\_\_\_  
 DATE PURCHASED: \_\_\_\_\_

**ONE (1) YEAR LIMITED WARRANTY  
(SAVE THIS WARRANTY INFORMATION)**

Optimus Enterprise, Inc, warrants to its customers and /or consumer of this electric fan and the parts thereof will be free from defect in material and workmanship, under normal use, for a period of one (1) year from the date of initial purchase. The warranty does not apply to repairs necessitated by damage, misuse, abuse or alteration and to any repairs of merchandise not used within the United States unless otherwise prescribed by law. Optimus Enterprise, Inc, shall not be liable for any personal injury, property damage or any incidental or consequential damages of any kind (including water damage) resulting from malfunctions, defects, misuse, improper installation or alternation of this product. This warranty is the only warranty extended by Optimus Enterprise, Inc, to its original customers and /or consumers purchasing fan, Optimus Enterprise, Inc, disclaims all other warranties, expressed or implied, that arise by the operation of law, specifically including the implied warranties of merchantability and fitness for a particular purpose. Optimus Enterprise, Inc, shall not be liable for any incidental or consequential damage, which may have resulted from any alleged breach of warranty. Some states do not allow limitations on how long implied warranty lasts or the exclusion or limitation of consequential damage, so the above limitations or exclusion may not apply to you. This warranty gives you specific legal rights you may also have other rights which vary from state to state.

Should the fan fail during the warranty period, the owner should:

- Within the first 30 days from date of purchase, the store from which you purchased your Optimus product should replace this product if it is defective in material or workmanship (provided the store has in-stock replacement).
- Within the first 12 months from date of purchase, Optimus Enterprise, Inc, will repair or replace the product if it is defective in material or workmanship providing it is returned to Optimus Enterprise, Inc. with freight prepaid, with evidence of purchase date (cash register receipt) together with **USD \$39.00** (within continental US) CHECK OR MONEY ORDER for handling and return packaging/shipping charges.

**IMPORTANT: ANY REPAIRS SHOULD BE PERFORMED BY AN AUTHORIZED SERVICE REPRESENTATIVE. DO NOT ATTEMPT TO REPAIR THIS FAN YOURSELF. DOING SO MAY VOID YOUR WARRANTY.**

**PLEASE RETAIN THIS WARRANTY AND SALES RECEIPT TO INSURE YOUR PRODUCT WARRANTY.**

**IMPORTANT: RETURN INSTRUCTIONS:**

Your warranty depends on your following these instructions if you are returning the unit more than 30 days after the date of purchase:

- Carefully pack the fan in the original container or a suitable container to avoid damage in shipping.
- Seal the carton. Address an envelope as follows: Optimus Enterprise, Inc.  
 2201 E. Winston Road, Unit #J  
 Anaheim, CA 92806
- Inside the envelope, enclose your name, full address with zip code, daytime phone number, evidence of purchase date (cash register receipt) AND A CHECK OR MONEY ORDER for handling and return packaging/shipping charges. Please also include a brief explanation of the problem you are having with the unit.
- Optimus Enterprise, Inc. recommends you insure the package as damage in shipments is not covered by your warranty.
- **All shipping/ handling charges must be prepaid by you** (as noted as above).

# OPTIMUS

## Manual de Instrucciones Guía para el Usuario

Ventilador de soporte oscilante de 16 Pulgadas  
Con mando a distancia  
Modelo: F-1672BK-F



**LINEA DIRECTA de INFORMACION:** Si, después que leer esta guía de dueño, usted tiene cualquier pregunta o los comentarios, se sienten por favor libre escribimos o nos llama en 1-888-672-5832 o nos manda correo electrónico en [OptimusEnt@aol.com](mailto:OptimusEnt@aol.com). Nuestro representante del servicio de atención al cliente será feliz de ayudarle.

## INSTRUCCIONES IMPORTANTES:

Gracias por elegir un ventilador Optimus. Para garantizar el máximo rendimiento de su Ventilador, favor de leer y guardar las siguientes instrucciones.

**CUANDO SE UTILIZAN APARATOS ELÉCTRICOS, CIERTAS PRECAUCIONES BÁSICAS SIEMPRE SE DEBEN DE SEGUIR PARA REDUCIR EL RIESGO DE INCENDIOS, DESCARGAS ELÉCTRICAS Y DAÑOS A PERSONAS, ENTRE ELLAS LAS SIGUIENTES:**

- Lea todas las instrucciones antes de usar este producto.
- Utilice este ventilador sólo como se describe en este manual. Cualquier otro uso no recomendado por el fabricante puede provocar incendios, descargas eléctricas o lesiones y podría anular la garantía.
- Siempre desconecte la unidad antes de ensamblarla, desensamblarla o limpiarla.
- Siempre desconecte la unidad cuando no esté en uso o cuando lo mueva desde una ubicación a otra.
- Para desconectar, agarre el enchufe y tire de él desde el enchufe de la pared. Nunca jale el cable.
- El uso de partes no recomendadas o vendidas por el fabricante del dispositivo puede causar riesgos.
- Evitar el contacto con las partes que se mueven.
- NO opere este ventilador con un cable o el enchufe dañado, después de un mal funcionamiento, o si se calló o dañó de cualquier manera. Devuelva la unidad a Optimus Enterprise, Inc. para examinar, hacer ajustes eléctricos o mecánicos, o reparaciones.
- NO opere este ventilador en presencia de vapores inflamables o explosivos.
- NO coloque el ventilador o cualquier parte cerca de una flama abierta, la cocina u otro aparato de calefacción.
- Extrema precaución es necesaria cuando el ventilador es utilizado por o cerca de los niños o inválidos y siempre que el ventilador se deje operando y desatendido.
- Este producto está diseñado para uso doméstico solamente y no para uso comercial o industrial. NO se debe usar al aire libre.
- Utilizar siempre sobre una superficie nivelada y seca.
- NO opere este ventilador si la cubierta del ventilador es removida o dañada.
- Un ajuste inadecuado entre el tomacorriente y enchufe puede causar la sobre calefacción del enchufe. Pida a un electricista calificado que reemplace el tomacorriente.
- NO coloque el cable bajo la alfombra. No cubra el cable con tapetes, corredores o similares. Coloque el cable fuera del área de tráfico y de donde puedan tropezarse con el.
- Este ventilador está equipado con un enchufe de línea polarizada de corriente alterna (un enchufe de que tiene una clavija más ancha que la otra). Este enchufe encaja en el toma de corriente sólo de una forma. Se trata de una característica de seguridad. Si usted no puede insertar el enchufe completamente en el toma corriente, intente revertir el enchufe. Si el enchufe todavía no encajar, póngase en contacto con un electricista para reemplazar el tomacorriente obsoleto. NO interfiera con el propósito de seguridad del enchufe polarizado.
- Este producto emplea una protección de sobrecarga (fusibles). Un fusible fundido indica una sobrecarga o cortocircuito. Si el fusible se funde, desenchufe el producto del toma corriente. Cambie el fusible según las instrucciones de mantenimiento (siga las indicaciones del producto para el fusible adecuado). Si se funde el fusible de reemplazo, un cortocircuito puede estar presente y el producto debe ser desechado o regresado a Optimus Enterprise, Inc. para ser examinado o reparado.
- NUNCA conecte el ventilador a cualquier fuente de alimentación distinta de una toma de corriente alterna polarizada de 120 voltios.

**ADVERTENCIA:** para reducir el riesgo de descarga eléctrica. NO utilice este ventilador con cualquier control de velocidad estático y NO inserte los dedos o cualquier objeto en la parrilla.

**Lea por favor estas instrucciones con cuidado y mantenga para la referencia futura.**

## INSTRUCCIONES DE OPERACIÓN:

Step 1: Tornillo de la placa de fijación (15) del eje de posición (13) en sentido antihorario. Ponga el eje de pie (15) en la base (14). Fije la placa de fijación (15) con el tornillo de fijación (16) de la parte inferior de la base (14) en una dirección de las agujas del reloj de manera que el eje de pie (13) y la base (14) está bien insertado.

Step 2: Aflojar el collar de control de ajuste de altura (12) y ajuste el tubo interior (11) a la altura necesaria.

Step 3: Tome Fan Motor Vivienda (9) y la inserta en el tubo interior (11) y apriete la perilla tornillo de ajuste (10).

Step 4: Reúna Grill trasera (5) sobre la cubierta del motor. Grill trasera (5) debe encajar en pines en el motor del ventilador. Nota: asa de alambre debe estar en la cima.

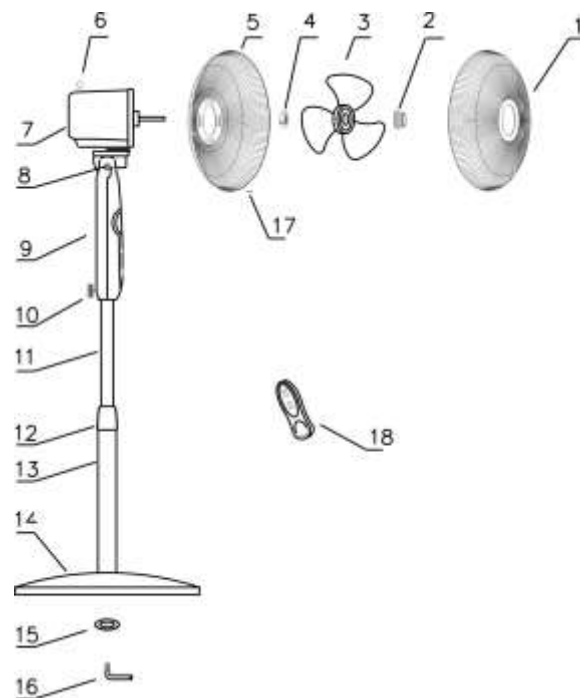
Step 5: Tuerca de bloqueo de rosca (4) en la cubierta del motor para bloquear Grill trasera (5) en su lugar

Step 6: Retire cualquier cubierta protectora sobre el eje antes de la instalación de las paletas. Coloque la aspa del ventilador (3) en el eje del motor. Observe que el pasador en el eje del motor debe encajar en la ranura de la tarjeta de ventilador.

Step 7: Inserte el tapón cuchilla (2) sobre el extremo roscado del eje del motor.

Step 8: Coloque la parrilla delantera (1) a la parrilla trasera (5) con gancho de clip centrado en la parte superior por encima de la manija del alambre.

Step 9: Cierre el resto de clips en su lugar y fijarla con el tornillo (17). No haga funcionar el ventilador sin rejilla en su lugar.



## FUNCIONAMIENTO

Siempre opere el ventilador en la posición vertical seguir todas las instrucciones y recomendaciones que figuran en esta ubicación del ventilador Manual: Coloque el ventilador en el área de la habitación que proporcionará ventilador de refrigeración adecuado. Conexión del ventilador: Ventilador Plug directamente a 120 voltios AC, 60Hz enchufe de la pared. Asegúrese de que el enchufe encaja correctamente en la toma. Una conexión floja puede causar sobrecalentamiento y daños en el enchufe o el ventilador.

**NOTA:** Para evitar la sobrecarga de un circuito, no enchufe el ventilador en un circuito que da servicio a otras necesidades eléctricas.

**GIRO FAN ON / OFF:** Lugar ventilador en una superficie plana estable. Ventilador en un tomacorriente con conexión a tierra adecuada. Para iniciar el ventilador, presione el botón / VELOCIDAD ON. Presione ON / velocidad varias veces para la velocidad del ventilador deseada (1,2 ó 3). Pulse OFF para interrumpir su uso. Desenchufe el ventilador cuando no esté en uso.

**OSCILACIÓN:** Para iniciar la oscilación del ventilador, el Mando de Control de Oscilación de prensa (que se encuentra por encima de la caja del motor) hacia abajo. Para detener la función de oscilación, tire de la perilla de control de oscilación mientras el ventilador está en cualquier posición de oscilación.

**MANDO A DISTANCIA:** Coloque 2 pilas AAA (no incluidas) en el control remoto. Use los botones del mando a distancia como lo haría con el panel de control. Apunte el control remoto hacia el panel de control para el sensor para recibir una señal.

**Función de temporizador:** La función del temporizador está diseñado para trabajar con la oscilación o la velocidad del ventilador. Con una velocidad de ventilación elegido pulsa una luz indicadora de duración ilumina (1, 2 ó 4 horas). Para activar la función de temporizador de apagado, pulse el botón TIME continua hasta que todos los indicadores del temporizador luces están apagadas.

## INSTRUCCIONES DE MANTENIMIENTO:

**Un ajuste inadecuado entre el tomacorriente y enchufe puede causar la sobre calefacción del enchufe. Si el enchufe sobre se sobre calienta, podría fundir el fusible dentro el enchufe del cable de alimentación.**

**Si la tapa de acceso de su fusible se encuentra en el lado del enchufe:**

- Agarre el enchufe y desconéctelo del toma corriente u otro dispositivo de salida. No jale el cordón para desconectarlo.
- Seleccione una herramienta apropiada, como un pequeño destornillador plano o tijeras de viaje.
- Para abrir la cubierta de fusibles. Deslice la tapa de acceso del fusible sobre el enchufe hacia en dirección de las clavijas. (Ver. fig.1)
- Retire cuidadosamente el fusible haciendo palanca hacia afuera. (Ver. fig.2)
- Riesgo de incendio puede resultar si de utiliza un fusible de calibre equivocado. Remplace el fusible sólo con 2.5 amp, de calibre de Volt 125.
- Para cerrar la tapa de acceso de fusibles. Para cerrar deslice la tapa de acceso sobre el enchufe (Ver. fig.3)



Fig.1



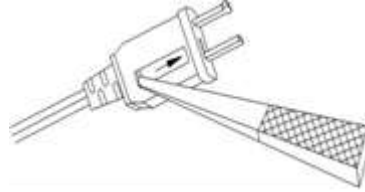
Fig.2



Fig.3

### Si su tapa de acceso de fusibles se encuentra sobre la cara del enchufe:

- Agarre el enchufe y desconéctelo del toma corriente u otro dispositivo de salida. No jale el cordón para desconectarlo.
- Seleccione una herramienta apropiada, como un pequeño destornillador plano o tijeras de viaje.
- Para abrir la cubierta de fusibles. Presione la herramienta hacia abajo y, a continuación, haga palanca en la cubierta de protección sobre la cara del enchufe. (Ver. fig. # 1)
- Continúe para quitar la puerta de protección hasta que pueda acceder el fusible que aparece abajo. (Ver. fig. # 2)
- Retire cuidadosamente el fusible haciendo palanca hacia afuera.
- Riesgo de incendio puede resultar si de utiliza un fusible de calibre equivocado. Reemplace el fusible sólo con 2.5 amp, de calibre de Volt 125.
- Para cerrar la tapa de acceso de fusibles. Empuje la puerta de protección sobre la cara del enchufe y presiónelo hasta que se asegure en su lugar.



### Atienda a y Repare:

- No procure reparar ni ajustar ninguna función eléctrica ni mecánica en esta unidad. Hacer así hace vacío la garantía.
- Si usted tiene cualquiera pregunta con respecto a esta operación de la unidad o cree que cualquier reparación es necesaria, llama por favor 1-888-672-5832 en hablar con un Representante de servicio de atención al cliente.
- Si usted necesita cambiar la unidad, por favor lo vuelve, en su cartón original con un recibo de ventas encerrado, a la tienda que usted compró de. Si usted vuelve la unidad más de 30 días después de la fecha de la compra, ven por favor la garantía encerrada.
- Si usted tiene cualquier otra pregunta o los comentarios, siéntase libre escribiernos:

Optimus Enterprise, Inc.  
2201 E. Winston Rd., Unit J  
Anaheim, CA 92806  
E-mail: [Service.Optimus@gmail.com](mailto:Service.Optimus@gmail.com)

### Garantía

Para sus propios registros, cosa con una grapa o conecta su recibo de ventas a este manual. Por favor escriba también la nombre/ubicación de la tienda y la fecha compraron abajo.

ALMACENE la NOMBRE/UBICACION: \_\_\_\_\_

La FECHA COMPRO: \_\_\_\_\_

### UN AÑO LIMITO la GARANTIA:

(SALVE ESTA INFORMACION de la GARANTIA)

Optimus Enterprise, Inc., las autorizaciones S.a. a sus clientes y/o consumidores de este ventilador eléctrico y las partes del mismo serán libres del defecto en la materia y la habilidad, bajo el uso normal, por un período de uno de 1) año de la fecha de la compra inicial. La garantía no aplica a reparaciones necesitadas por el daño, el maltrato, el abuso ni la alternancia y a ninguna reparación de mercancías no utilizó dentro de los Estados Unidos ni Canadá. A menos que de otro modo proscrito por la ley, Optimus Enterprise, S.a. no será responsable de ninguna herida personal, el daño de la propiedad ni ningún daño casual ni consecuente de cualquier tipo (incluye el daño de agua) resultando de funcionamientos defectuosos, los defectos, el maltrato, la instalación o la alternancia impropias de este producto. Esta garantía es la única garantía prolongada por la Optimus Enterprise, S.a. a sus clientes y/o el consumidor originales compró de este ventilador. La Optimus Enterprise, renuncias S.a. todas las otras garantías, expresan o implicado, eso surge por la operación de la ley, específicamente inclusive las garantías implicadas de merchantability y salud para un propósito particular. La Optimus Enterprise, S.a. no será responsable de ningún daño casual ni consecuente, que puede haber resultado de ninguna infracción pretendida de la garantía. Algunos indican

no permite las limitaciones en la garantía implicada cuán larga duran o la exclusión o la limitación del daño casual o consecuente, así que el encima de limitaciones o exclusión no pueda aplicar a usted. Esta garantía le da derechos legales específicos usted puede tener también otros derechos que varían del estado para indicar. Esta garantía le da derechos legales específicos usted puede tener también otros derechos que varían del estado para indicar.

Deba el ventilador falla durante el período de la garantía, el dueño debe:

- Dentro de los primeros 30 días de la fecha de la compra, la tienda de que usted compró su producto de Optimus debe reemplazar este producto si es defectuoso en la materia o la habilidad (proporcionó la tienda tiene el reemplazo de en-acciones).
- Dentro de los primeros 12 meses de la fecha de la compra, la Optimus Enterprise, S.a. reparará o reemplazará el producto si es defectuoso en la materia o la habilidad que proporcionan lo es vuelto a la Optimus Enterprise, S.a. con flete prepagado, con la evidencia de la fecha de la compra (recibo de caja registradora) junto con cheque **USD \$39.00** (dentro de los Estados Unidos continentales) o giro postal para manejar y regreso que embalan/enviando las cargas.

**IMPORTANTE:** CUALQUIERA REPARA DEBE SER REALIZADO POR UN REPRESENTANTE AUTORIZADO del SERVICIO. No PROCURE REPARAR ESTE VENTILADOR USTED MISMO. HACER ASI VACIO de mayo SU GARANTIA. RETENGA POR FAVOR ESTE RECIBO de la GARANTIA Y VENTAS para ASEGURAR SU GARANTIA del PRODUCTO.

**IMPORTANTE:** VUELVE las INSTRUCCIONES:

Su garantía depende de su siguiente estas instrucciones si usted vuelve la unidad más de 30 días después de la fecha de la compra:

- Empaca Con cuidado el ventilador en el contenedor original o un contenedor conveniente para evitar el daño en el envoi.
- Selle el cartón. Diriga un sobre de la siguiente manera:  
Optimus Enterprise, Inc.  
Customer Service Department  
2201 E. Winston Road, Unit J, Anaheim, CA 92806
- Dentro del sobre, encierra su nombre, la dirección repleta con código postal, el número de teléfono del día, la evidencia de la fecha de la compra (recibo de caja registradora) Y UN CHEQUE O el GIRO POSTAL para manejar y regreso que embalan/enviando las cargas. Por favor incluya también una explicación breve del problema que usted tiene con la unidad.
- La Optimus Enterprise, S.a. recomienda que usted asegure el paquete (como daño en embarques no es cubierto por su garantía).
- Todas cargas del envío deben ser prepagadas por usted (notó como como arriba).

# OPTIMUS

## MANUEL D'INSTRUCTION ET GUIDE DE L'UTILISATEUR

Ventilateur sur pied oscillant de 16 pouces  
Avec télécommande  
MODÈLE : F-1672BK-F



**VEUILLEZ LIRE ET CONSERVEZ CES INSTRUCTIONS.**

### DIRECTIVES IMPORTANTES :

Nous vous remercions d'avoir choisi un produit Optimus. Pour assurer le rendement optimal de ce produit, veuillez lire et conserver les directives suivantes.

LORS DE L'UTILISATION DE TOUT APPAREIL ÉLECTRIQUE, DES PRÉCAUTIONS ÉLÉMENTAIRES DOIVENT TOUJOURS ÊTRE OBSERVÉES AFIN DE RÉDUIRE LE RISQUE

D'INCENDIE, DE CHOC ÉLECTRIQUE ET DE BLESSURE CORPORELLE.

- Lisez toutes les directives avant d'utiliser ce produit.
- Utilisez ce produit uniquement tel que décrit dans ce manuel. Tout autre usage non recommandé par le fabricant peut causer un incendie, un choc électrique ou une blessure corporelle, et peut annuler la garantie.
- Ne branchez pas le cordon d'alimentation CA dans la prise murale tant que le produit n'a pas été totalement assemblé.
- Utilisez une source d'alimentation qui correspond à la tension nominale du produit inscrite sous la base.
- Ne faites jamais fonctionner le ventilateur si une pale ou le boîtier du ventilateur est fissuré ou endommagé.
- Débranchez toujours l'appareil avant l'assemblage, le désassemblage, le nettoyage, le déplacement ou lorsqu'il n'est pas utilisé.
- Pour débrancher l'appareil, mettez-le hors tension (OFF), agrippez la fiche et tirez-la hors de la prise murale. Ne tirez jamais sur la fiche par le cordon.
- L'utilisation de dispositifs de branchement non recommandés ou vendus par le fabricant peut causer des lésions.
- Éviter tout contact avec les pièces rotatives.
- NE faites PAS fonctionner l'appareil avec une prise ou un cordon endommagé. N'utilisez pas le produit après un mauvais fonctionnement de ce dernier ou après qu'il ait chuté ou ait été endommagé d'une quelconque façon.
- Ne suspendez pas et ne fixez pas l'appareil au mur ou au plafond.
- Ne faites pas fonctionner l'appareil en présence de vapeurs explosives et/ou inflammables.
- Ne placez pas l'appareil ni aucune de ses pièces près d'une flamme nue, d'un appareil de cuisson et d'autres sources de chaleur.
- Pour éviter les chocs électriques, n'immergez pas le cordon, la fiche ni aucune autre pièce de l'appareil dans l'eau et ne l'aspergez pas avec des liquides.
- Cet appareil n'est pas conçu pour être utilisé par des personnes (y compris les enfants) ayant des capacités physiques, sensorielles ou mentales limitées, un manque de connaissance ou d'expérience, à moins qu'elles n'aient reçues une supervision ou des directives relatives à l'utilisation de l'appareil émises par une personne responsable de leur sécurité.
- Les enfants doivent être supervisés afin d'assurer qu'ils ne jouent pas avec l'appareil.
- Cet appareil est destiné à un usage ménager uniquement et non commercial ou industriel. Ne l'utilisez pas à l'extérieur.
- Utilisez toujours l'appareil sur une surface plane sèche.
- Ne faites pas fonctionner cet appareil si son boîtier est retiré ou endommagé.
- **Un ajustement lâche entre la prise CA et la fiche peut causer la surchauffe de la fiche.** Demandez à un électricien accrédité de remplacer la prise.
- Ce produit est doté d'une fiche de courant alternatif polarisée (une fiche ayant une lame plus large que l'autre). Cette fiche s'insère dans la prise murale que d'une seule façon. Il s'agit d'une mesure de sécurité. Si vous êtes incapable d'insérer totalement la fiche dans la prise, essayez en inversant la fiche. S'il est toujours impossible d'insérer la fiche, contactez un électricien pour remplacer la prise. Ne contournez pas la nature sécuritaire de la fiche polarisée.
- **NE** branchez **JAMAIS** l'appareil dans une source d'alimentation autre qu'une prise de courant alternatif polarisée de 120 volts.
- **N'acheminez pas le cordon sous des tapis.** Ne recouvrez pas le cordon avec des carpettes, des tapis chemins ou des revêtements de sol similaires. N'acheminez pas non plus le cordon sous des meubles ou électroménagers. Éloignez le cordon des zones passantes où il pourrait présenter un risque de trébuchement.

#### MISES EN GARDE :

- AFIN DE RÉDUIRE LE RISQUE D'INCENDIE OU DE CHOC ÉLECTRIQUE, N'UTILISEZ PAS CET APPAREIL AVEC UN DISPOSITIF RÉGULATEUR DE VITESSE MUNI DE SEMI-CONDUCTEURS.

- N'INSÉREZ PAS LES DOIGTS OU TOUT AUTRE OBJET DANS LA GRILLE.
- AFIN DE PRÉVENIR LE RISQUE DE CHOC ÉLECTRIQUE, FAITES CORRESPONDRE LA LAME LARGE DE LA FICHE À LA FENTE LARGE DE LA PRISE ET INSÉREZ TOTALEMENT LES LAMES.
- DÉBRANCHEZ L'APPAREIL DE LA SOURCE D'ALIMENTATION AVANT DE PROCÉDER AU DÉPANNAGE.
- SI LE CORDON D'ALIMENTATION EST ENDOMMAGÉ, IL DOIT ÊTRE REMPLACÉ PAR LE FABRICANT, SON AGENT AUTORISÉ OU QUALIFIÉ POUR LE DÉPANNAGE AFIN D'ÉVITER LES DANGERS.

## DIRECTIVES DE FONCTIONNEMENT :

### INSTRUCTIONS D'UTILISATION :

### PRÉPARATION

- Retirez délicatement le ventilateur de la boîte (veuillez conserver la boîte pour l'entreposage hors saison).
- Assurez-vous que l'appareil est à la position *OFF* avant de le brancher dans la prise.
- Aux fins d'expédition, le ventilateur est emballé désassemblé.

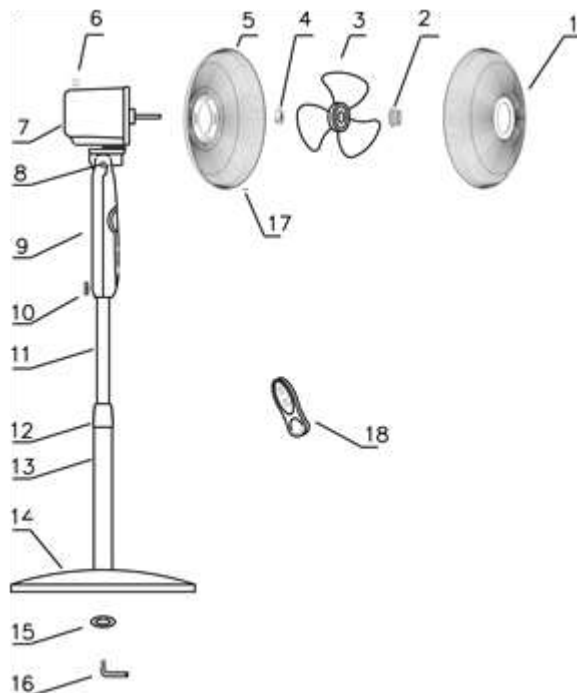
### ASSEMBLAGE

Étape 1: Dévissez la plaque de fixation (15) de l'arbre vertical (13) dans le sens inverse des aiguilles d'une montre. Placez la tige debout (15) dans la base (14). Fixez la plaque de fixation (15) avec la vis de fixation (16) à partir du bas de la base (14) dans le sens des aiguilles d'une montre de sorte que la tige verticale (13) et la base (14) soient fermement fixées.

Étape 2: Desserrez le collier de commande de réglage de la hauteur (12) et ajustez le tuyau intérieur (11) à la hauteur requise.

Étape 3: Prenez le boîtier du moteur du ventilateur (9) et insérez-le dans le tuyau intérieur (11) et serrez le bouton de la vis de réglage (10).

Étape 4: Assemblez la grille arrière (5) sur le carter du moteur. La grille arrière (5) doit s'insérer dans les broches du moteur du ventilateur.



Remarque: la poignée en fil doit être sur le dessus.

Étape 5: Vissez l'écrou de blocage (4) sur le boîtier du moteur pour verrouiller la grille arrière (5) en place.

Étape 6: Retirez tout revêtement protecteur sur l'arbre avant l'installation des pales de ventilateur. Placez la pale de ventilateur (3) sur l'arbre du moteur. Notez que la goupille sur l'arbre du moteur doit s'insérer dans la fente de la pale du ventilateur.

Étape 7: Vissez le capuchon de lame (2) sur l'extrémité fileté de l'arbre du moteur.

Étape 8: Fixez la grille avant (1) à la grille arrière (5) avec le crochet de fixation centré sur le dessus au-dessus de la poignée métallique.

Étape 9: Verrouillez les clips restants en place et fixez-les avec la vis (17). Ne faites pas fonctionner le ventilateur sans la grille en place.

### EN FONCTIONNEMENT

Faites toujours fonctionner le ventilateur en position verticale en suivant toutes les instructions et recommandations énumérées dans ce manuel.

**EMPLACEMENT DU VENTILATEUR :** Placez le ventilateur dans la zone de la pièce qui assurera un refroidissement adéquat du ventilateur.

**RACCORDEMENT DU VENTILATEUR :** Branchez le ventilateur directement sur une prise murale de 120 volts CA, 60 Hz. Assurez-vous que la fiche est bien insérée dans la prise. Une connexion desserrée peut provoquer une surchauffe et endommager la fiche ou le ventilateur. **REMARQUE:** pour éviter de surcharger un circuit, ne branchez pas le ventilateur sur un circuit qui répond à d'autres besoins électriques.

**ALLUMER / ÉTEINDRE LE VENTILATEUR:** Placez le ventilateur sur une surface plane et stable. Branchez le ventilateur dans une prise mise à la terre appropriée. Pour démarrer le ventilateur, appuyez sur le bouton ON / SPEED. Appuyez plusieurs fois sur ON / SPEED jusqu'à la vitesse de ventilation souhaitée (1, 2 ou 3). Appuyez sur OFF pour arrêter l'utilisation. Débranchez le ventilateur lorsqu'il n'est pas utilisé.

**OSCILLATION:** Pour démarrer l'oscillation du ventilateur, appuyez sur le bouton de commande d'oscillation (situé au-dessus du carter du moteur) vers le bas. Pour arrêter la fonction d'oscillation, tirez le bouton de commande d'oscillation vers le haut lorsque le ventilateur est dans n'importe quelle position d'oscillation.

**TÉLÉCOMMANDE:** Placez 2 piles AAA (non incluses) dans la télécommande. Utilisez les boutons de la télécommande comme vous le feriez avec le panneau de commande. Pointez la télécommande vers le panneau de commande pour que le capteur reçoive un signal.

**FONCTION DE LA MINUTERIE:** La fonction de la minuterie est conçue pour fonctionner en utilisant l'oscillation ou n'importe quelle vitesse de ventilateur. Avec une vitesse de ventilateur choisie enfoncée, un voyant indicateur de durée s'allume (1, 2 ou 4 heures). Pour désactiver la fonction de minuterie, appuyez sur le bouton TIME en continu jusqu'à ce que tous les voyants de la minuterie soient éteints.

## NETTOYAGE

### Pendant les soins de saison:

- Avant le nettoyage, assurez-vous d'éteindre et de débrancher l'appareil.
- Gardez le ventilateur propre. Essayez soigneusement l'appareil avec un chiffon doux et humide. Soyez très prudent à proximité du moteur.
- NE PAS immerger le ventilateur dans l'eau et ne jamais laisser couler de l'eau dans le boîtier du moteur.
- N'utilisez jamais d'essence, de benzène ou de diluant. Cela endommagera la surface de l'appareil.
- Après le nettoyage, assurez-vous de sécher complètement l'appareil avec un chiffon ou une serviette.

### Soins après la saison:

- Votre ventilateur peut être stocké en basse saison.
- Avant de ranger le ventilateur, nettoyez-le soigneusement, couvrez-le d'un sac en vinyle et rangez-le dans un endroit frais et sec. Nous vous recommandons d'utiliser la boîte d'origine (ou de taille appropriée).

## CONSIGNES D'ENTRETIEN:

Ce produit utilise une protection contre les surcharges (fusible). Un fusible grillé indique une situation de surcharge ou de court-circuit. Si le fusible saute, débranchez le produit de la prise. Remplacez le fusible en suivant les instructions d'entretien (suivez le marquage du produit pour connaître le calibre approprié du fusible) et vérifiez le produit. Si le fusible de remplacement saute, un court-circuit peut être présent et le produit doit être jeté ou renvoyé à un centre de service agréé pour examen et / ou réparation.

Un ajustement desserré entre la prise secteur et la fiche peut provoquer une surchauffe de la fiche. Si la fiche surchauffe, elle risque de couper le fusible à l'intérieur de la fiche du cordon d'alimentation.

### Si votre couvercle d'accès aux fusibles est situé sur le côté de la fiche:

- Saisissez la fiche et retirez-la de la prise ou de tout autre dispositif de prise. Ne tirez pas sur le cordon pour le débrancher.
- Sélectionnez un outil approprié tel qu'un petit tournevis plat ou des ciseaux de voyage.
- Pour ouvrir le couvercle du fusible. Faites glisser le couvercle d'accès au fusible ouvert sur le dessus de la fiche de fixation vers les lames. (voir fig.1)
- Retirez soigneusement le fusible en le soulevant. (voir fig.2)

- Un risque d'incendie peut résulter de l'utilisation d'un fusible de calibre incorrect. Remplacez le fusible uniquement par un calibre de 2,5 A, 125 volts.
- Pour fermer le couvercle d'accès aux fusibles. Faites glisser pour fermer le couvercle d'accès sur le dessus de la fiche de raccordement. (voir fig.3)



Fig.1



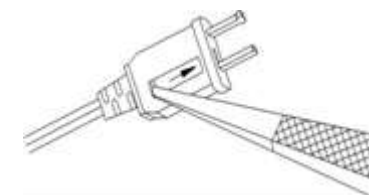
Fig.2



Fig.3

### Si votre couvercle d'accès aux fusibles est situé sur la face de la fiche:

- Saisissez la fiche et retirez-la de la prise ou de tout autre dispositif de prise. Ne tirez pas sur le cordon pour le débrancher.
- Sélectionnez un outil approprié tel qu'un petit tournevis plat ou des ciseaux de voyage.
- Pour ouvrir le couvercle du fusible. Appuyez sur l'outil, puis soulevez la trappe de protection de la face de la prise. (voir fig. # 1)
- Continuez à retirer la porte de protection jusqu'à ce que vous puissiez accéder au fusible ci-dessous. (voir fig. # 2)
- Retirez soigneusement le fusible en le soulevant.
- Un risque d'incendie peut résulter de l'utilisation d'un fusible de calibre incorrect. Remplacez le fusible uniquement par un calibre de 2,5 A, 125 volts.
- Pour fermer le couvercle du fusible Close. Repoussez la porte de protection sur la face de la fiche et appuyez fermement dessus.



## SERVICE ET RÉPARATION:

- N'essayez pas de réparer ou d'ajuster les fonctions électriques ou mécaniques de cet appareil. Cela annulera la garantie.
- Si vous avez des questions concernant le fonctionnement de cet appareil ou pensez qu'une réparation est nécessaire, veuillez appeler le 1-888-672-5832 pour parler à un représentant du service à la clientèle. Ou envoyez-nous un e-mail à [Service@optimusent.com](mailto:Service@optimusent.com). E-mail sera plus facile d'obtenir une réponse.
- Si vous avez besoin d'échanger l'appareil, veuillez le retourner, dans son carton d'origine avec un reçu de vente joint, au magasin où vous l'avez acheté.
- Si vous retournez l'appareil plus de 30 jours après la date d'achat, veuillez consulter la garantie ci-jointe pour la procédure de retour.
- Si vous avez d'autres questions ou commentaires, n'hésitez pas à nous écrire: Optimus Enterprise, Inc.  
Service client

2201 E. Winston Road, unité #J.  
Anaheim, Californie 92806  
Tél: (714) 956-1300 FAX: (714) 956-1311

## Garantie

Pour vos propres dossiers, agrafez ou fixez votre reçu de caisse à ce manuel. Veuillez aussi écrire le nom et l'emplacement du magasin et la date d'achat ci-dessous.

NOM ET EMPLACEMENT DU MAGASIN \_\_\_\_\_

DATE DE L'ACHAT : \_\_\_\_\_

### GARANTIE LIMITÉE DE 1 AN :

(CONSERVEZ LES RENSEIGNEMENTS DE CETTE GARANTIE)

Optimus Enterprise, Inc. garantit à ses clients et / ou aux consommateurs que cet appareil de chauffage électrique et ses composants sont exempts de défauts de matériaux et de fabrication dans des conditions normales d'utilisation pendant une période d'un (1) an à compter de la date de l'achat initial. La garantie ne s'applique pas aux réparations nécessaires en raison de dommages, d'une mauvaise utilisation, d'un abus, d'une modification ou d'une réparation de la marchandise inutilisée aux États-Unis ou au Canada. Sauf disposition contraire de la loi, Optimus Enterprise, Inc. ne saurait être tenu pour responsable des dommages corporels, matériels, consécutifs ou indirects de toute nature (y compris les dégâts des eaux) résultant d'un fonctionnement incorrect, d'une défaillance, d'une utilisation incorrecte, de la mauvaise installation ou de la modification de ce ventilateur. Cette garantie est la seule garantie émise par Optimus Enterprise, Inc. à ses clients initiaux et / ou aux consommateurs qui ont acheté le ventilateur. Optimus Enterprise, Inc. décline toute autre garantie, expresse ou implicite, découlant de la loi, y compris, sans toutefois s'y limiter, les garanties implicites de qualité marchande et d'adéquation à un usage particulier. Optimus Enterprise, Inc. ne peut être tenu responsable des dommages indirects ou consécutifs pouvant résulter d'une violation présumée de la garantie. Certains états n'autorisant pas de limitations sur la durée d'une garantie implicite ni sur l'exclusion ou la limitation des dommages accessoires ou indirects, les limitations ou exclusions ci-dessus peuvent donc ne pas s'appliquer à vous. Cette garantie vous confère des droits légaux spécifiques; vous pouvez également avoir d'autres droits, qui varient d'un État à l'autre. Si le radiateur présente un défaut pendant la période de garantie, le propriétaire doit:

- Au cours des 30 jours à compter de la date d'achat, se présenter au magasin où il a acheté le produit Optimus. Le magasin doit remplacer ce produit s'il présente un vice de matériel ou de fabrication (sous réserve que le magasin ait un produit de remplacement disponible).
- Au cours des 12 premiers mois à compter de la date d'achat, Optimus Enterprise, Inc. réparera ou remplacera le produit s'il présente un vice de matériel ou de fabrication sous réserve que le produit soit retourné à Optimus Enterprise, Inc., que les frais de transport soient payés d'avance, que la preuve de la date d'achat (reçu de caisse) soit présente et qu'un CHÈQUE ou MANDAT POSTAL, au montant de **USD \$50**, soit inclus pour les frais de manutention et d'expédition.

**IMPORTANT :** TOUTE RÉPARATION DOIT ÊTRE EFFECTUÉE PAR UN REPRÉSENTANT DE DÉPANNAGE AUTORISÉ. NE TENTEZ PAS DE RÉPARER CE RADIATEUR PAR VOS PROPRES MOYENS; DANS CE CAS, VOTRE GARANTIE POURRAIT ÊTRE ANNULÉE. VEUILLEZ CONSERVER CETTE GARANTIE ET LE REÇU DE CAISSE POUR ASSURER LA VALIDITÉ DE LA GARANTIE DE VOTRE

## PRODUIT.

### IMPORTANT – INSTRUCTIONS POUR LE RETOUR :

Pour assurer la validité de la garantie, vous devez observer les instructions suivantes si vous retourner l'appareil 30 jours après la date de l'achat :

- Emballez soigneusement le radiateur dans son emballage original ou un emballage approprié pour prévenir les dommages pendant le transport.
- Scellez l'emballage. Libellez l'enveloppe comme suit :  
Optimus Enterprise, Inc., Service à la clientèle  
2201 E. Winston Road, Unit J  
Anaheim, CA 92806
- À l'intérieur de l'enveloppe, inscrivez votre nom, adresse complète avec le code postal, numéro de téléphone où vous joindre dans la journée, preuve de la date de l'achat (reçu de caisse) ET UN CHÈQUE OU MANDAT POSTAL pour la manutention et le retour de l'emballage/frais d'expédition. Veuillez aussi inclure une brève explication du problème rencontré avec l'appareil.
- Optimus Enterprise, Inc. vous recommande d'assurer l'emballage (puisque les dommages causés pendant le transport ne sont pas couverts par votre garantie).
- Tous les frais d'expédition doivent être prépayés par vous (tel que stipulé ci-dessus).