

# ASSEMBLY INSTRUCTION

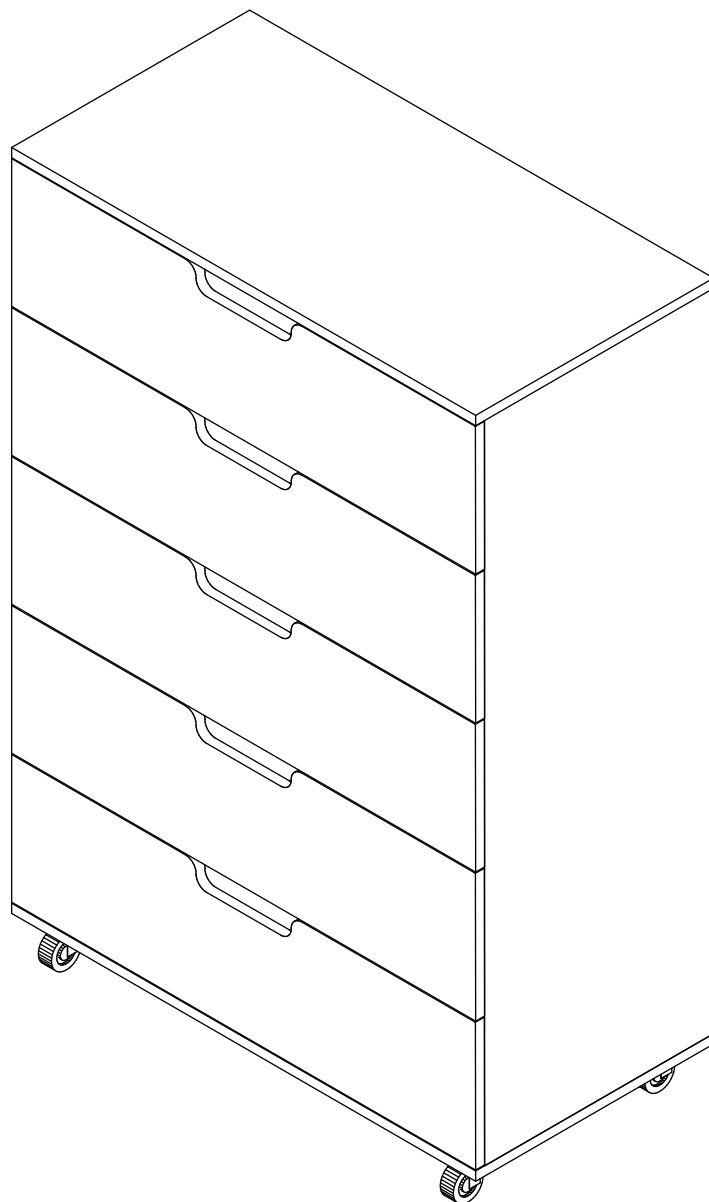
---

## PLEASE READ BEFORE ASSEMBLING

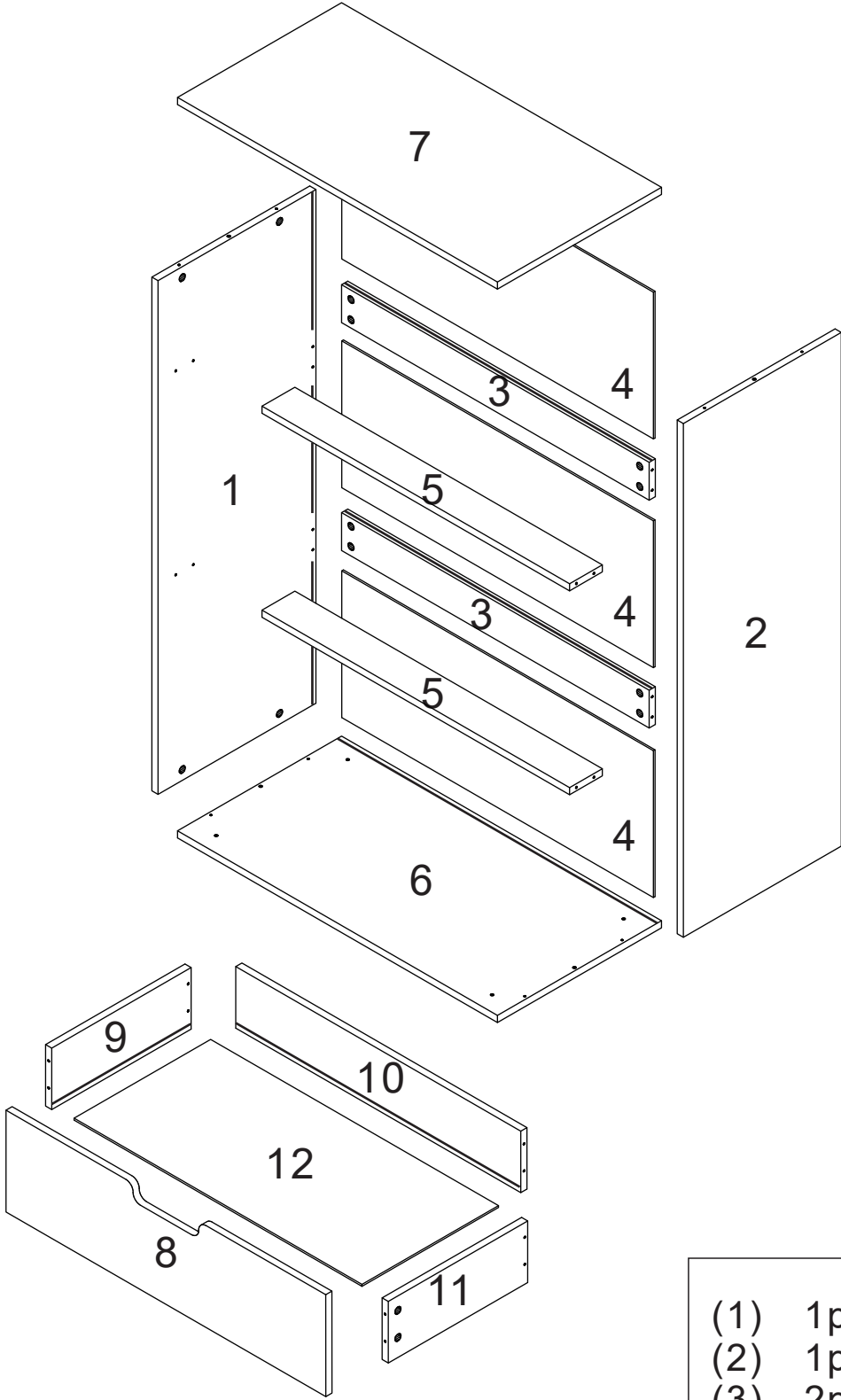
Tip #1: make sure you've taken all the pieces and hardware out of its packaging before discarding the box

Tip #2: Using page 2 and/or page 3 of instruction manual make sure all pieces and hardware are accounted for.

Tip #3: read manual before assembling, it helps



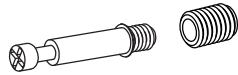
# PARTS IDENTIFICATION



(1)	1pc	(7)	1pc
(2)	1pc	(8)	5pcs
(3)	2pcs	(9)	5pcs
(4)	3pcs	(10)	5pcs
(5)	2pcs	(11)	5pcs
(6)	1pc	(12)	5pcs

# HARDWARE IDENTIFICATION

A



$\phi 6 \times 40$

44 pcs

B



$\phi 12 \times 12$

44 pcs

C



$\phi 8 \times 30$

4 pcs

D



$\phi 4 \times 35$

20 pcs

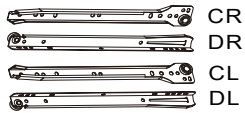
E



$\phi 4 \times 14$

60 pcs

F



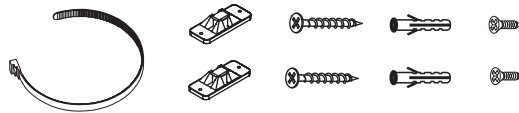
5 sets

G



10 pcs

H



1 set

J



$\phi 4 \times 16$

10 pcs

K



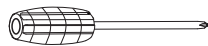
2 pcs

L



2 pcs

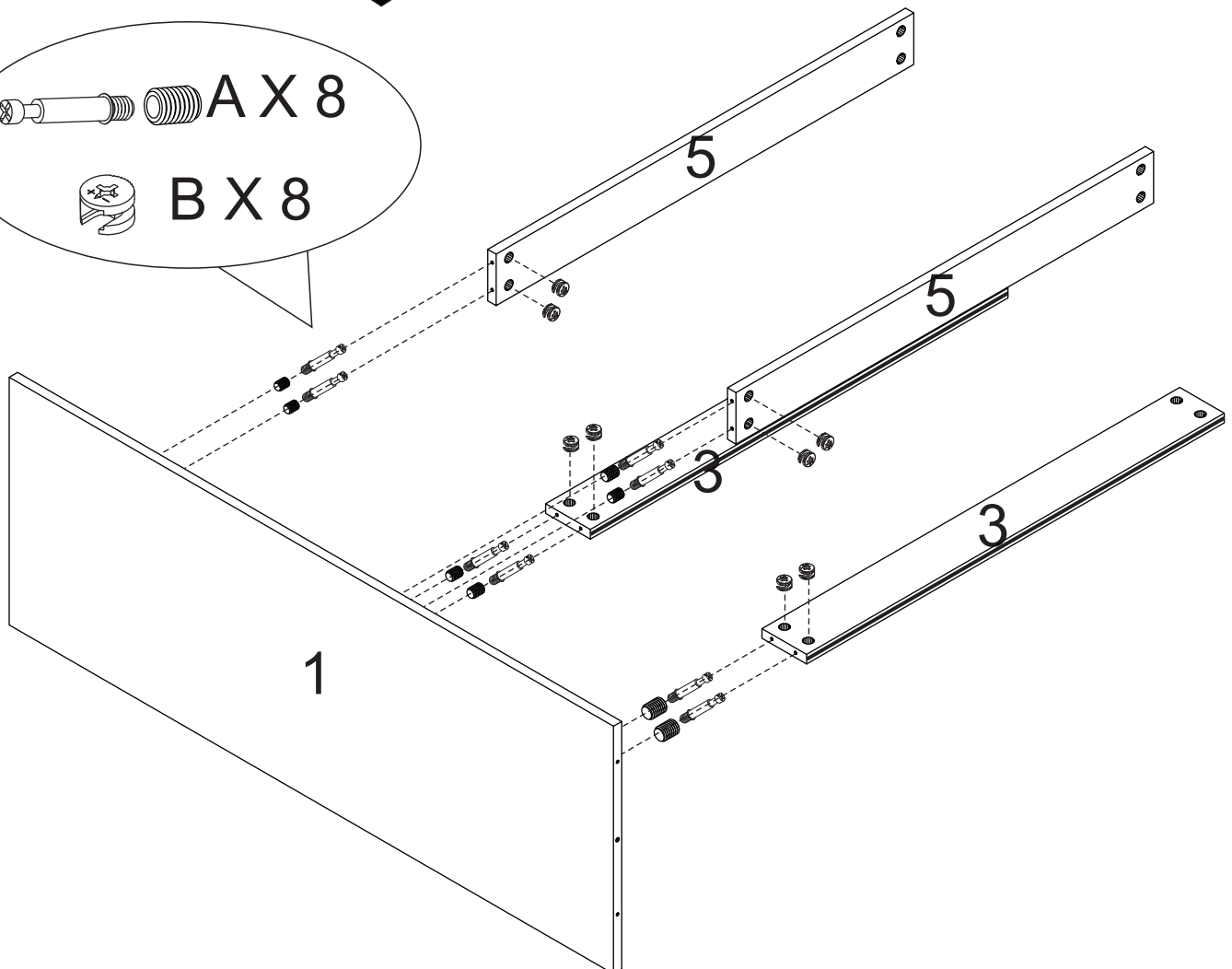
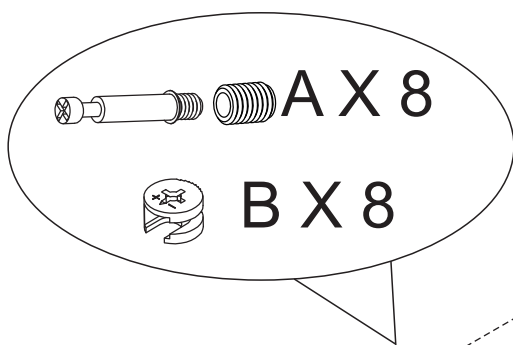
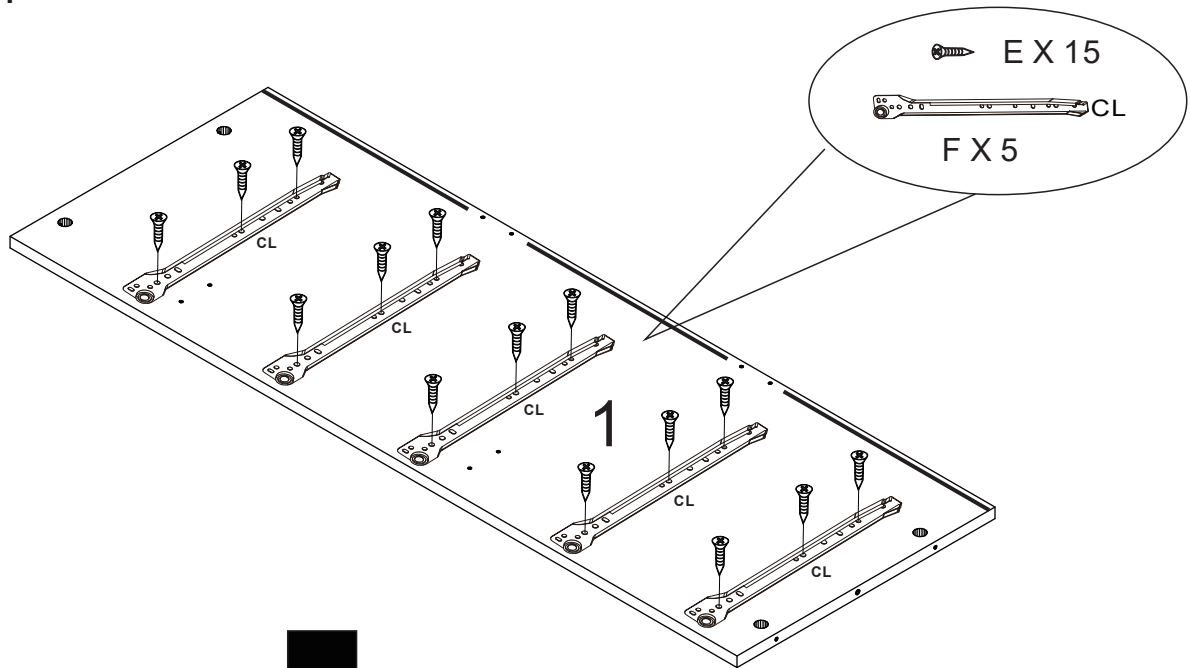
M



1 pc

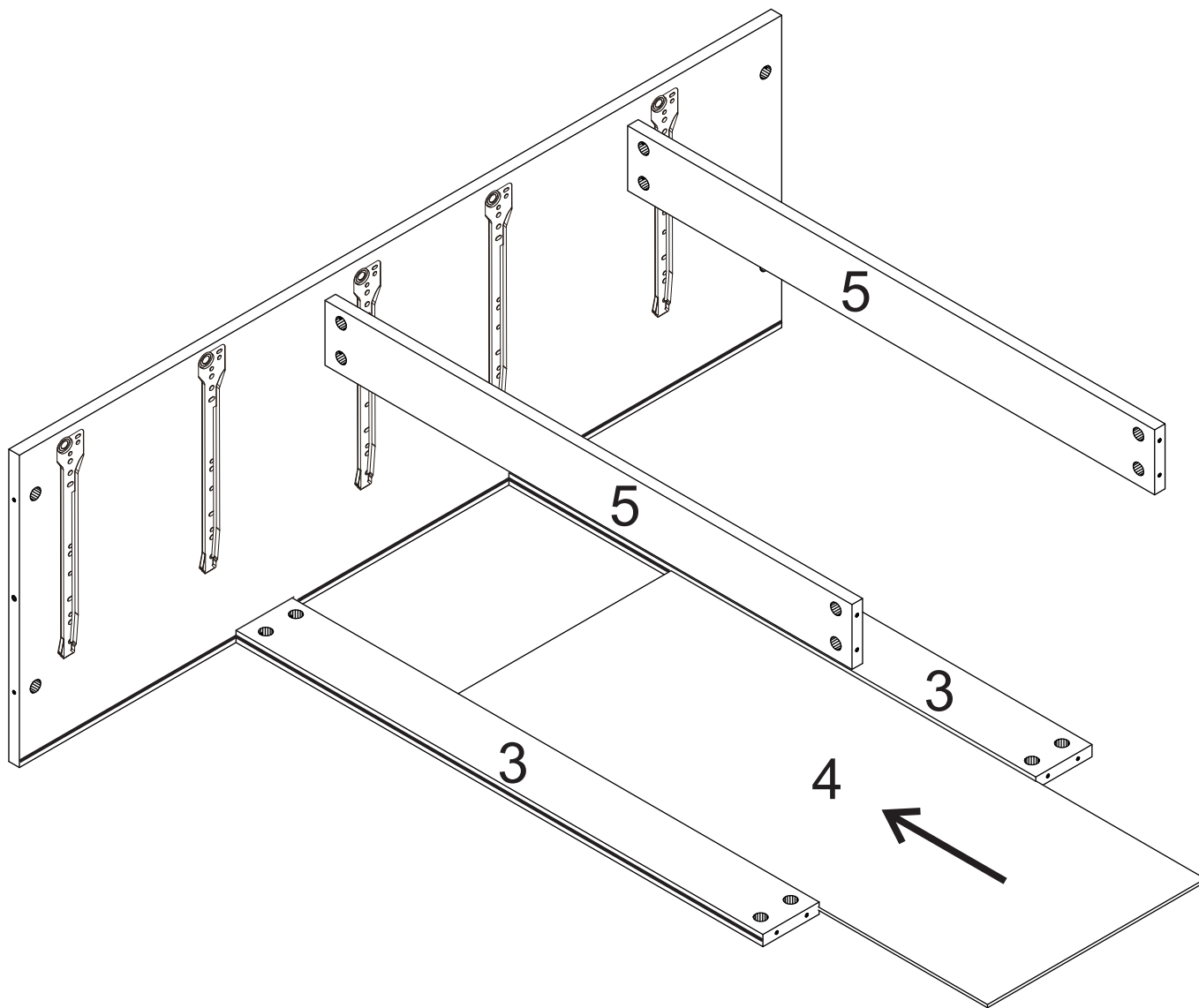
# ASSEMBLY INSTRUCTION

## STEP 1



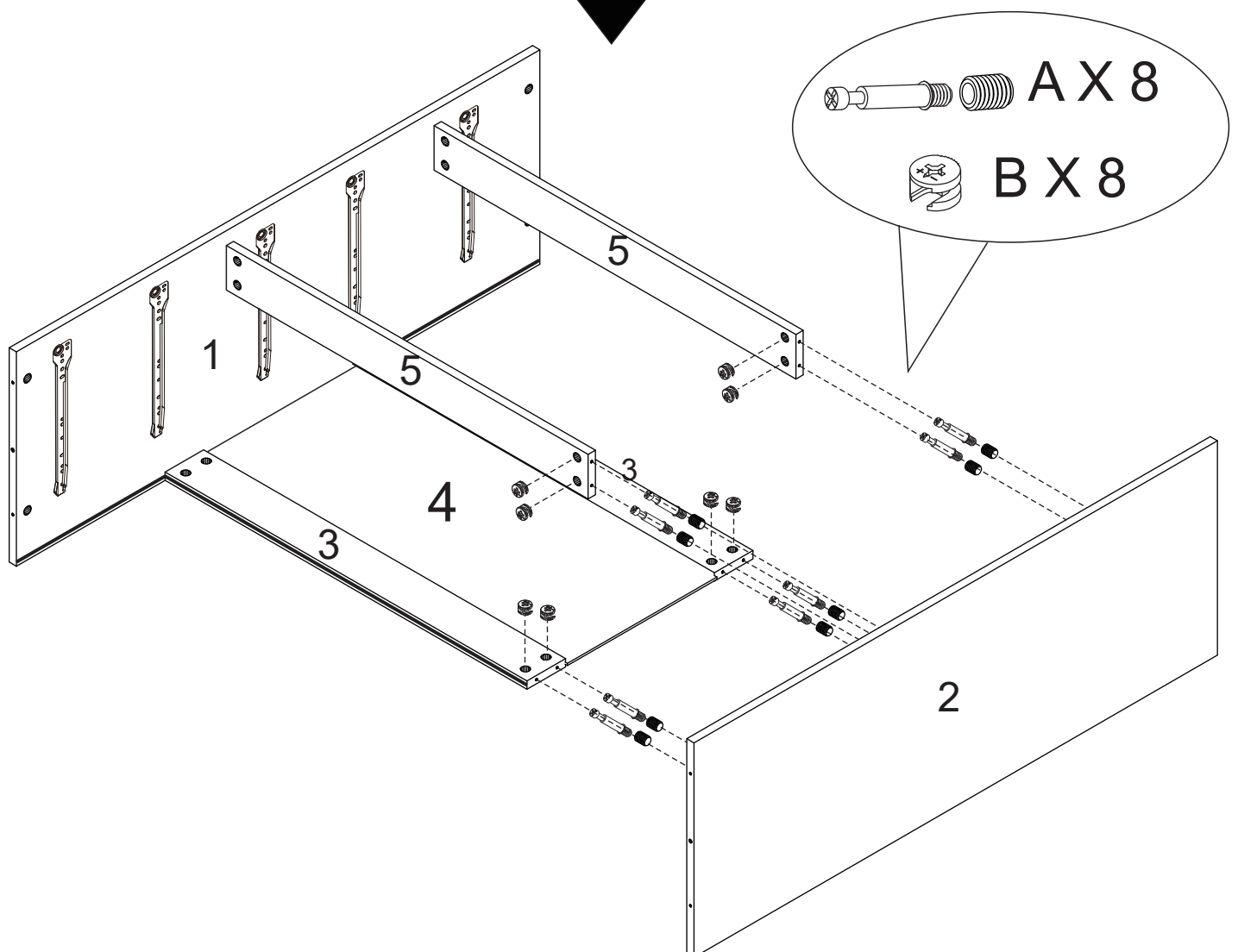
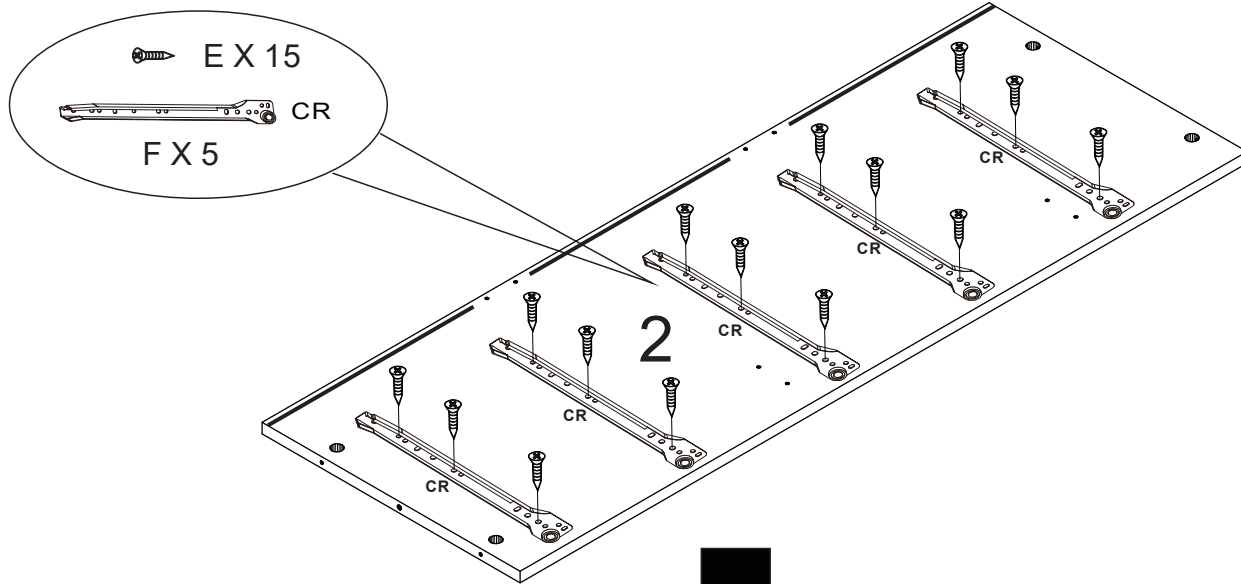
# ASSEMBLY INSTRUCTION

## STEP 2



# ASSEMBLY INSTRUCTION

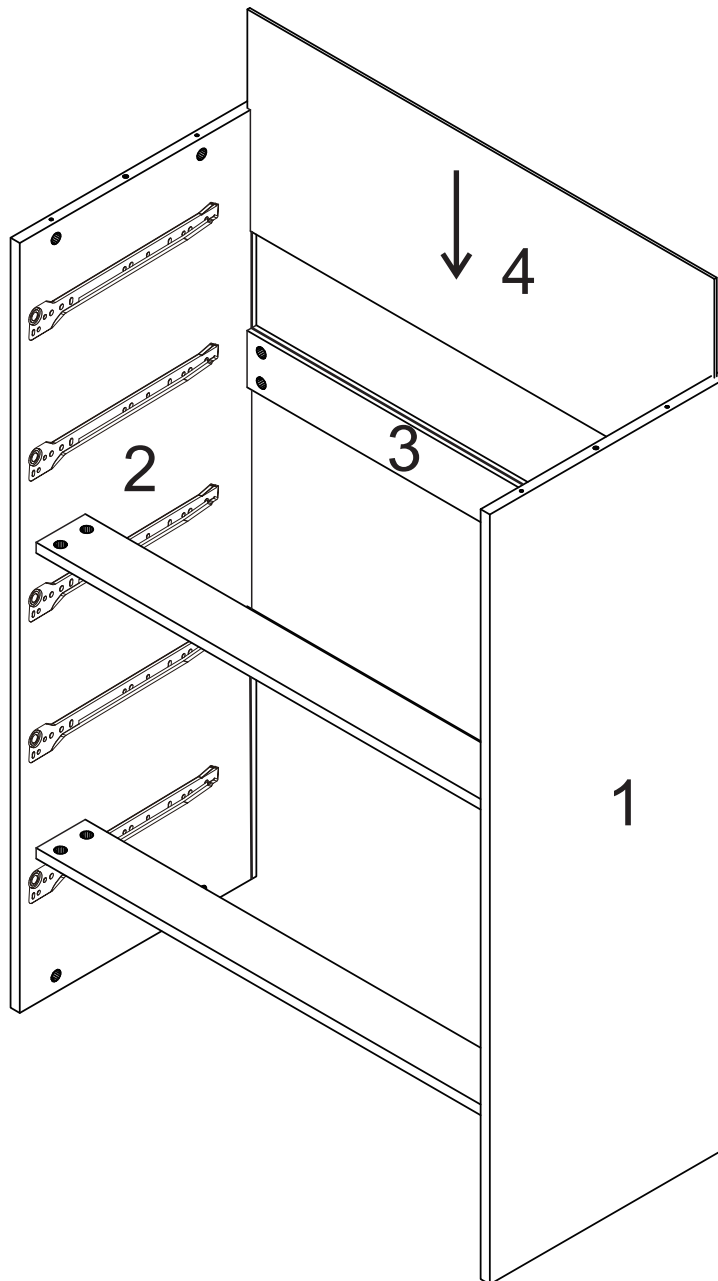
## STEP 3



# ASSEMBLY INSTRUCTION

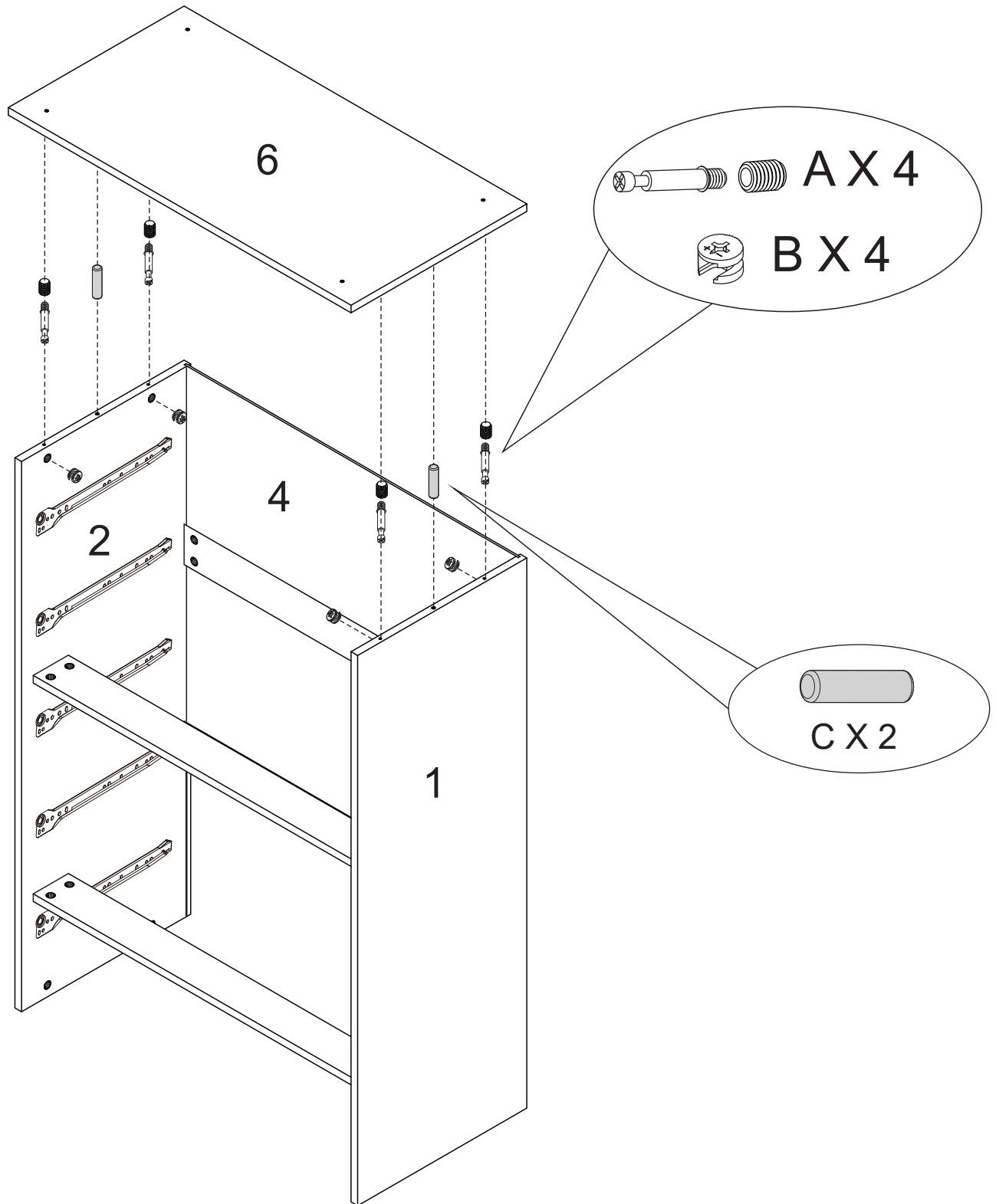
---

## STEP 4



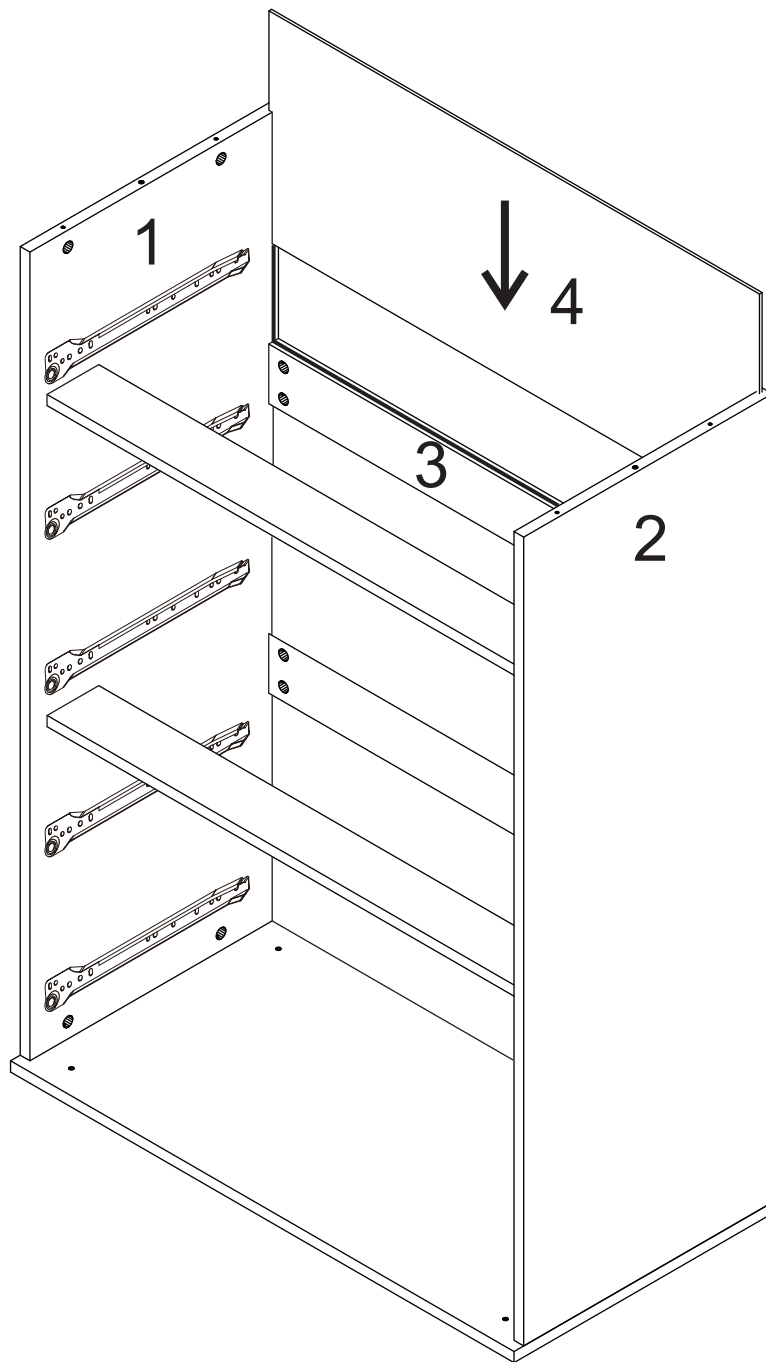
# ASSEMBLY INSTRUCTION

## STEP 5



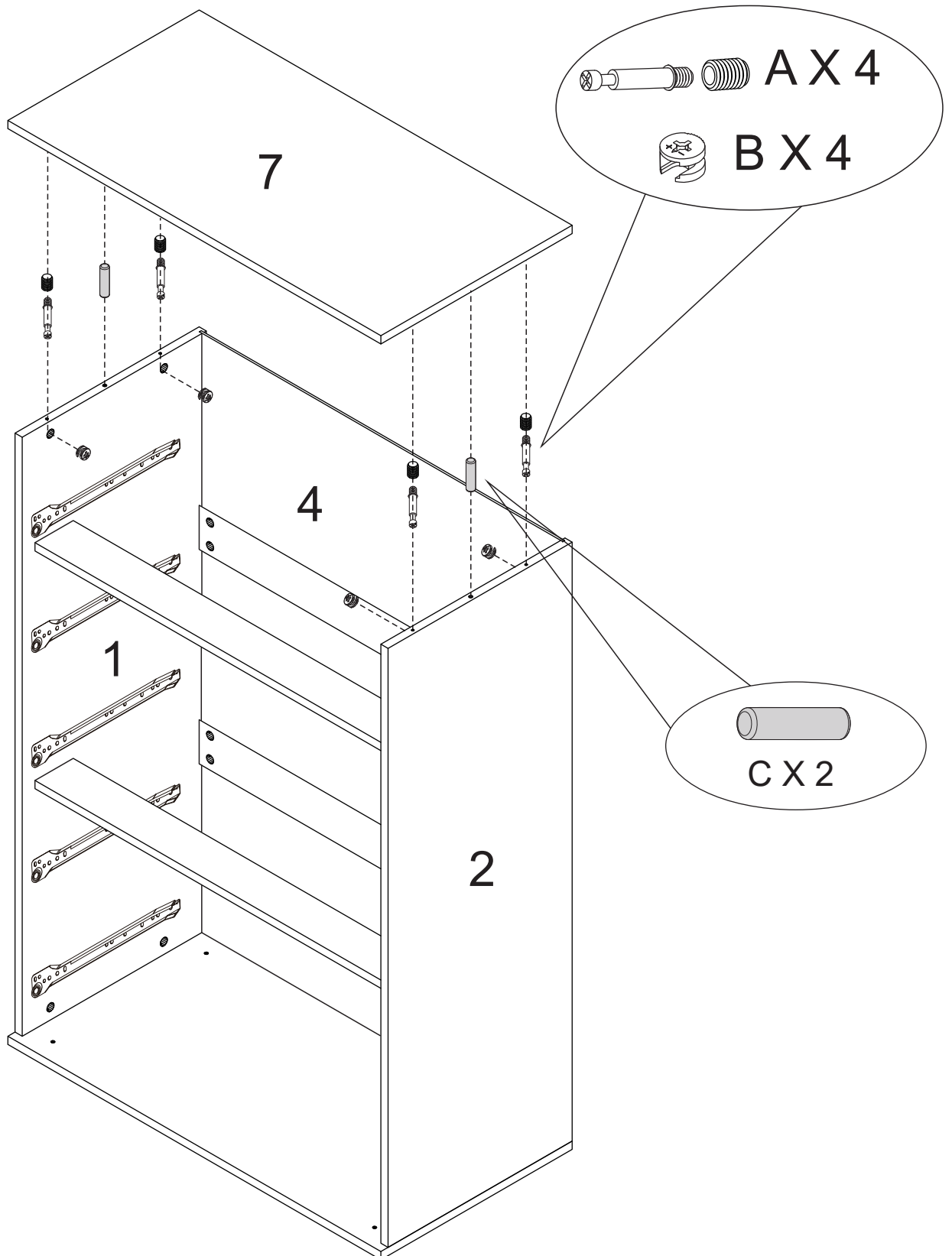
# ASSEMBLY INSTRUCTION

## STEP 6



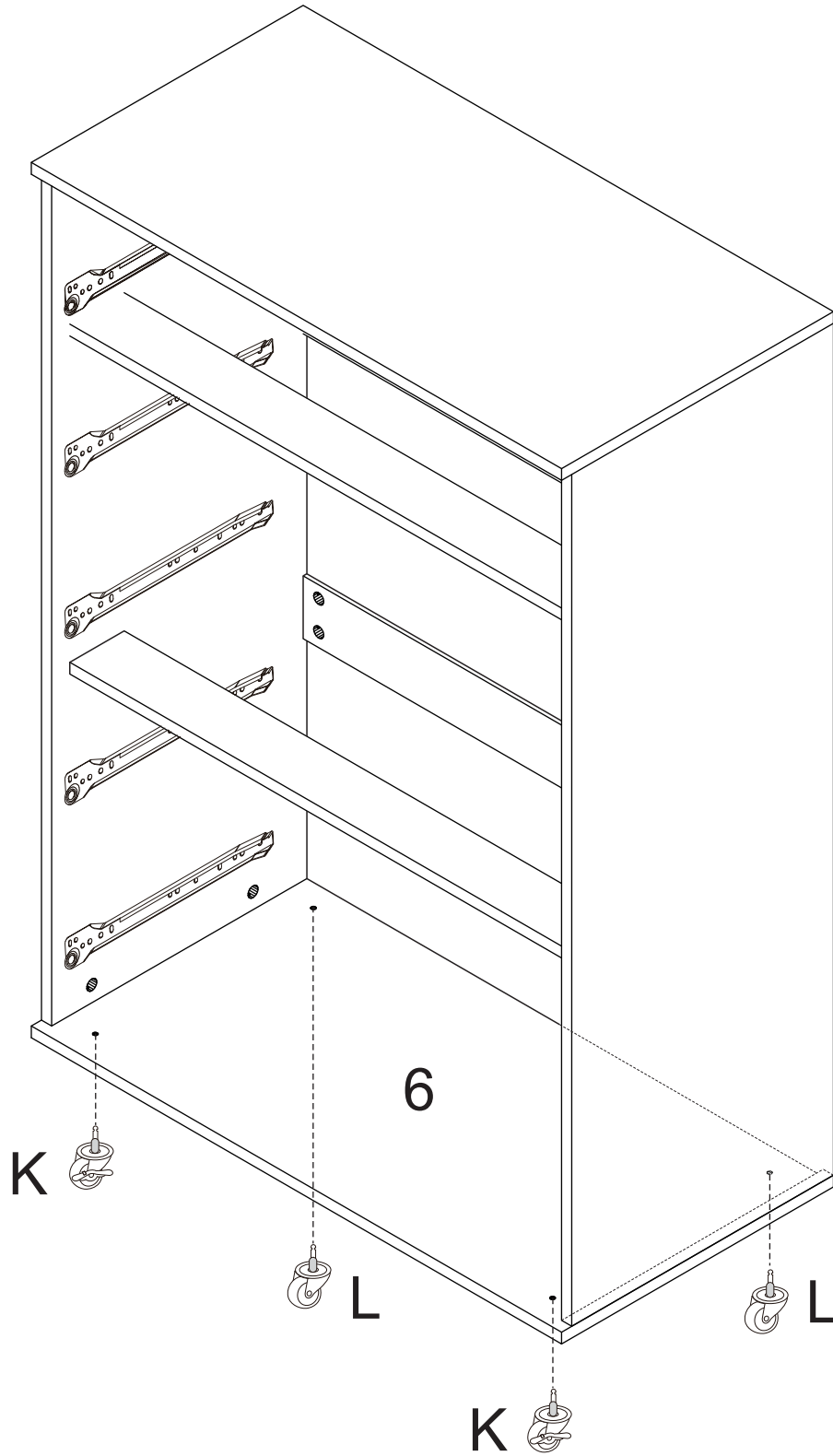
# ASSEMBLY INSTRUCTION

## STEP 7

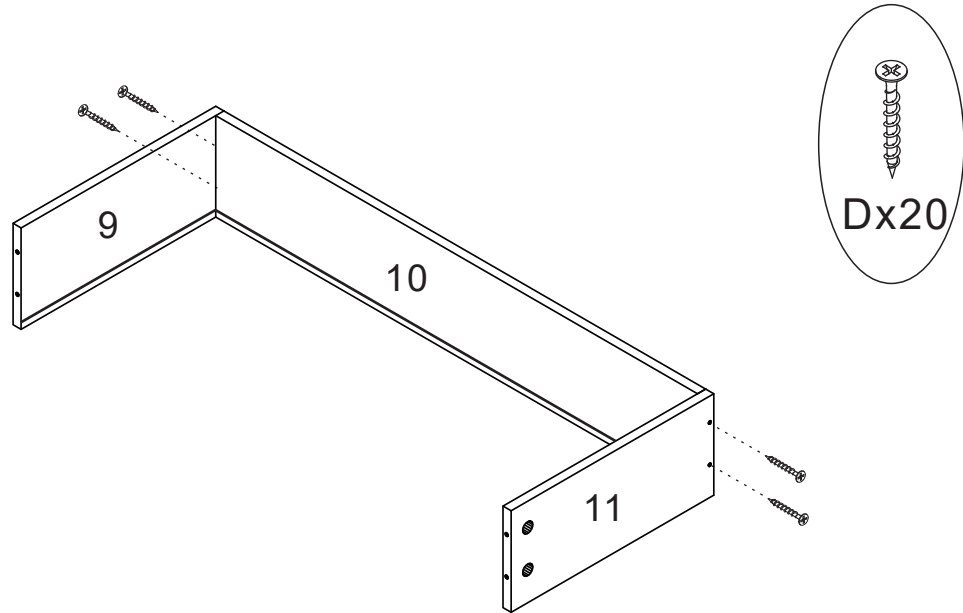


# ASSEMBLY INSTRUCTION

## STEP 8



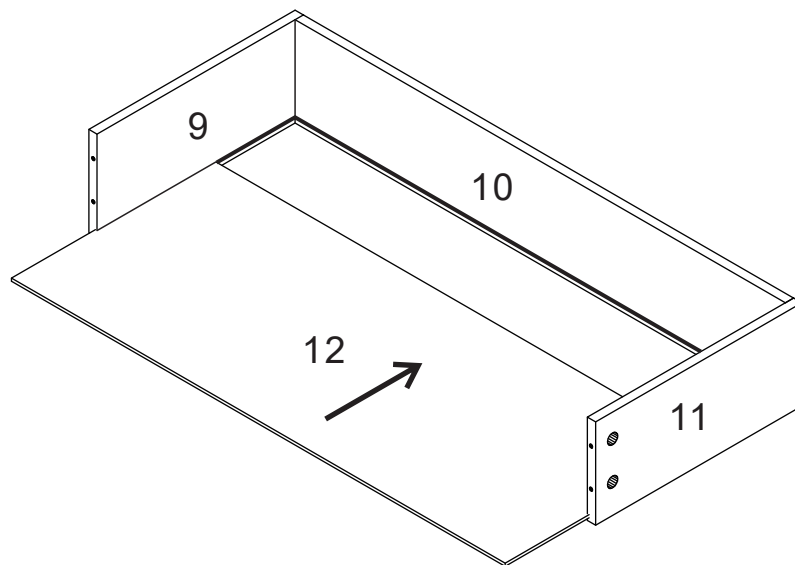
# ASSEMBLY INSTRUCTION



X 5

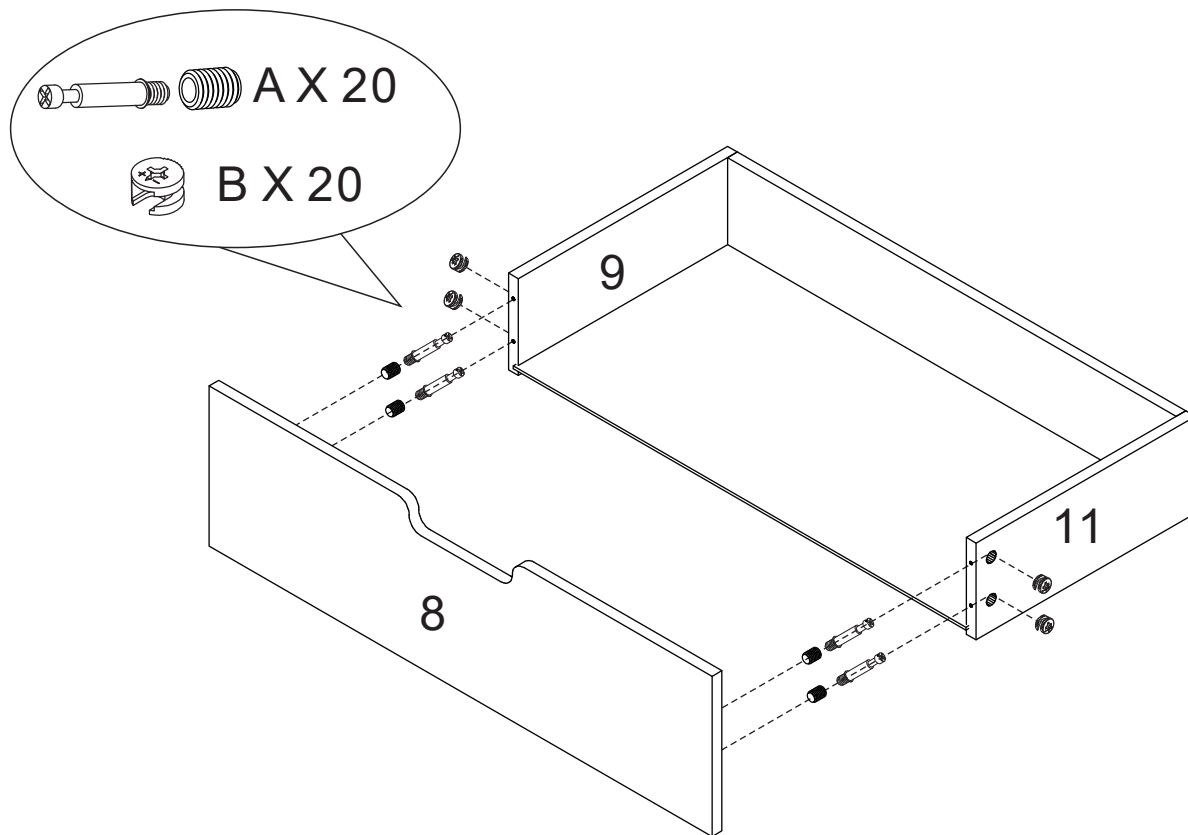
STEP 9

STEP 10



X 5

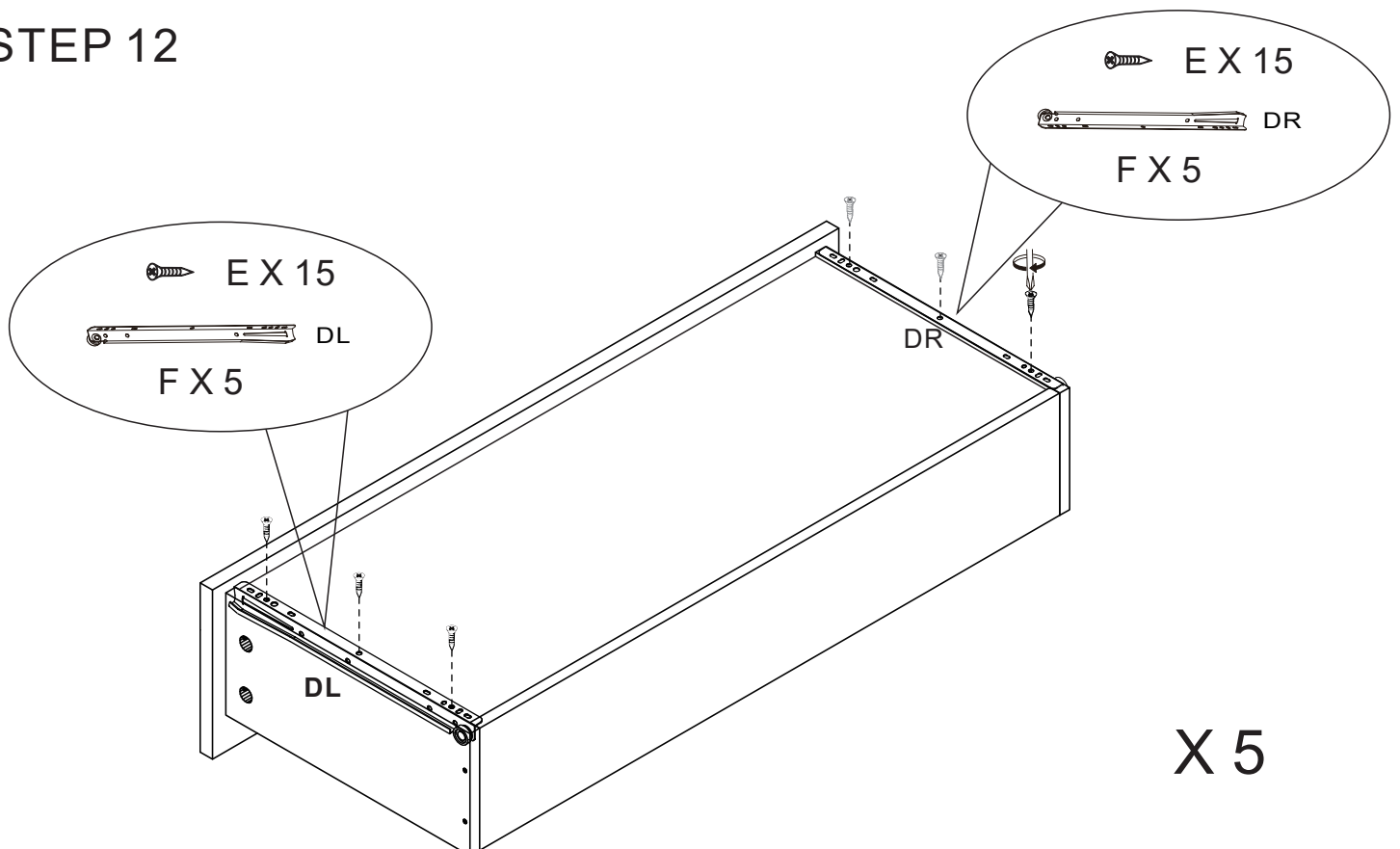
# ASSEMBLY INSTRUCTION



X 5

STEP 11

STEP 12

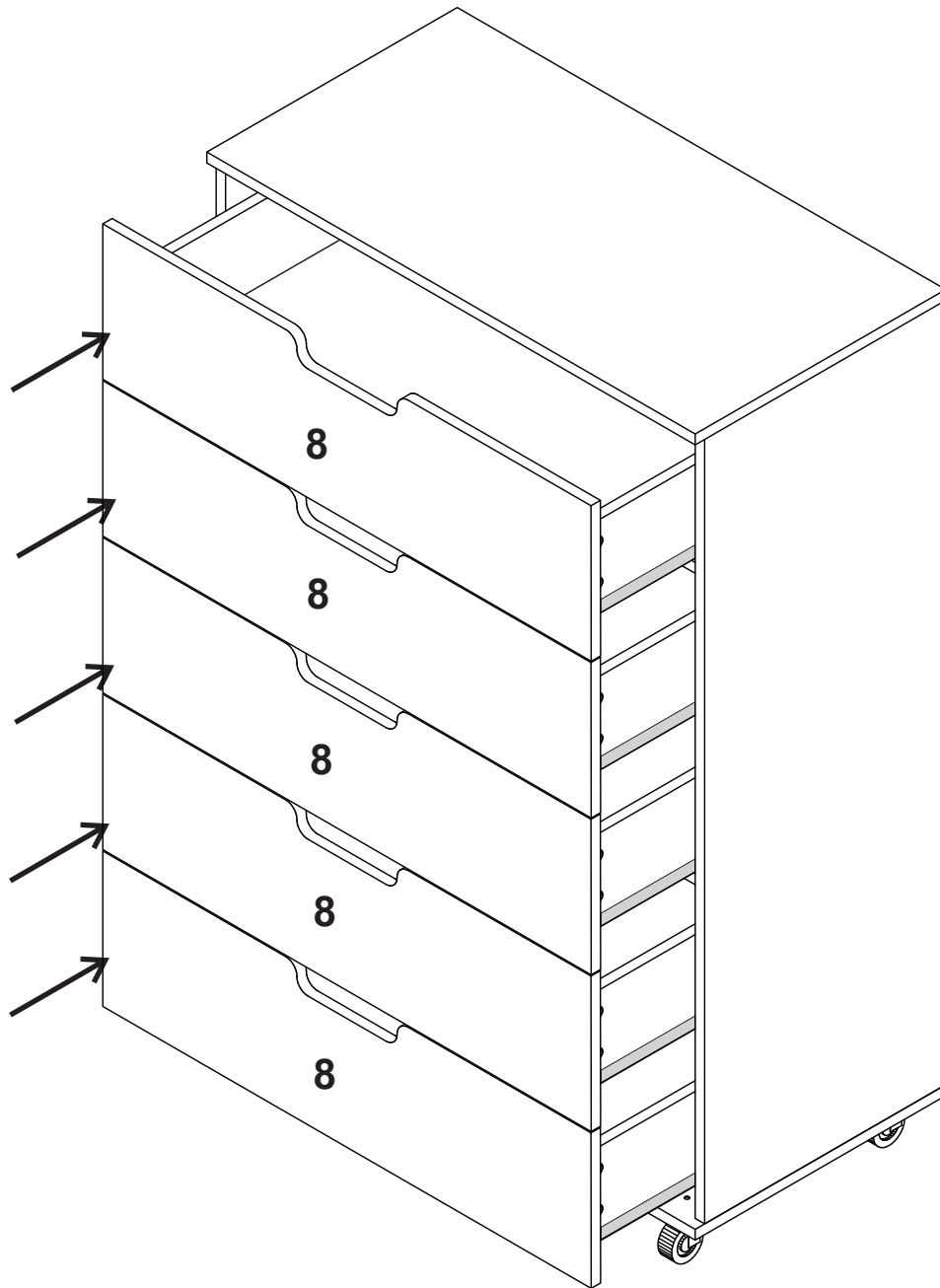


X 5

# ASSEMBLY INSTRUCTION

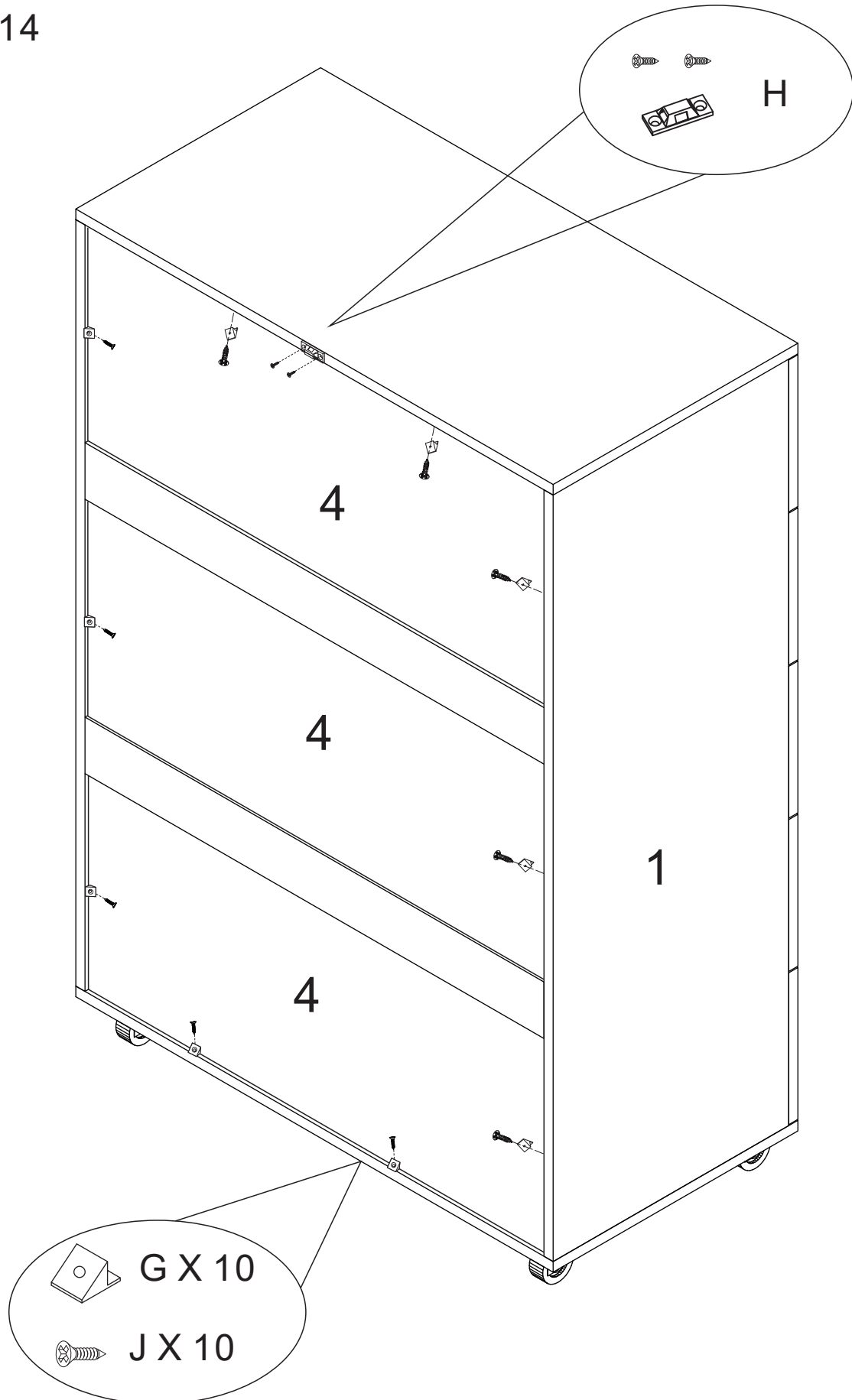
---

## STEP 13



# ASSEMBLY INSTRUCTION

## STEP 14



# ASSEMBLY INSTRUCTION

## STEP 15

