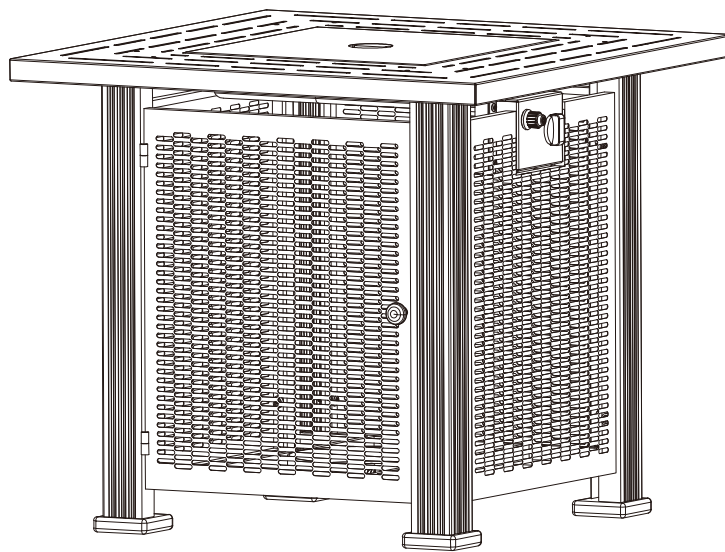


---

# Outdoor Gas Fire pit

## OWNER'S MANUAL



---

**This appliance is intended for decorative purposes**

**Warning: For Outdoor use only!**

**Not for domestic use!**

**Keep the instruction for future reference!**

## **INDEX**

SAFETY WARNINGS .....	page 3
Specification.....	page 4
Gas (LPG) warnings.....	page 7
Technical data.....	...page 9
Expanded View.....	page 10
Installation .....	page 11
Connecting gas circuit to LPG cylinder.....	page 12
Operating Instructions .....	page 14
Leakage Testing.....	page 17
Maintenance and Cleaning.....	... page 17
Storage (after use) .....	page 18
Troubleshooting.....	page 19

## SAFETY WARNINGS



### WARNING:

- Do not modify the appliance;
- Do not move the appliance during use;
- Turn off the gas supply at the gas container after use
- Accessible parts may be very hot. Keep young children away
- The appliance should not be used in basements or below ground level.
- The appliance must only be used for space heating.



### WARNING:

**THIS APPLIANCE HAS A NAKED FLAME; A SUITABLE GUARD SHOULD BE USED FOR THE PROTECTION OF YOUNG CHILDREN, THE ELDERLY AND THE INFIRM.**



## DANGER



### CARBON MONOXIDE HAZARD

This appliance can produce carbon monoxide which has no odor.

Using it in an enclosed space can kill you.

Never use this appliance in an enclosed space such as a camper, tent, car or home.

**ATTENTION:** This appliance needs to be fitted with flexible gas rubber pipe and clamps that must be used; never use different kind and always according to the National Rules in force of the country of destination.

These components should be periodically substituted, according to the date reported on the body of each of them, or according to the National Rules in force of the country of destination.

Gas regulator, hose and LPG cylinder are not included and have to be bought according to LPG compartment shape and cylinder support.



### WARNING:

Failure to heed the Dangers, Warnings and cautions contained in this Owner's Manual may result in a serious explosion causing damage to property, bodily injury.

---

# GENERAL WARNINGS

## FOR OUTDOOR USE ONLY--DO NOT OR STAND ON TABLE

### Warning -For your safety

- If the information in this manual is not followed exactly, a fire or explosion may result causing property damage, personal injury or loss of life.
- **IMPORTANT NOTICE:** read and understand all warnings and precautions prior to assembly and use for you gas fire pit.
- **DANGER: Failure to follow the dangers, warning and cautions in this manual may cause a fire or explosion causing damage to property, serious bodily injury or death.**
- Minimum Clearance from Unit To Combustible Material:  
**72" (182.9cm) from the top; 36" (91.5cm) from all sides and back.**

Do not locate this appliance under over-head unprotected combustible surfaces.

#### **IF YOU SMELL GAS:**

- 1. Shut off gas supply to the fire pit.**
  - 2. Extinguish any open flame.**
  - 3. Do not try lighting any appliance.**
  - 4. Do not touch any electrical switch nor use any phone in your building.**
  - 5. Immediately call your gas supplier from a neighbor's phone.**
  - 6. Follow the gas supplier's instructions.**
  - 7. If you cannot reach your gas supplier, call the fire department.**
- Never Improper installation, adjustment, alteration, service or maintenance can cause injury or property damage. Read the installation, operation and maintenance instructions thoroughly before installing or servicing this equipment.
  - Keep these instructions for future reference. If you are assembling this unit for some-one else, give this manual to him or her to read and keep for future reference.
  - This gas fire pit should ONLY be used outdoors in a well-ventilated space and should NOT be used inside a building, garage, or any other enclosed area.
  - Do NOT use this outdoor gas fire pit for indoor heating. TOXIC carbon monoxide fumes can accumulate and cause asphyxiation.
  - Never LEAVE this gas fire pit unattended when in use.
  - Children and adults should be alerted to the hazards of high surface temperatures and kept at a safe distance while fire pit is in use.
  - Do NOT operate light or use this fire pit within 8 feet (2.44m) of walls, structures or building.
  - Storage of this fire pit indoors is permissible only if it has been disconnected from its fuel supply (LP gas cylinder).
  - Gloves are strictly recommended to be used while moving this appliance, to protect your hands.
  - Any sealed parts by Manufacture or his agent cannot be altered by the user
  - Do not store or use gasoline or other flammable vapors and liquids within 25 feet (7.62m) of this or any other appliance.
  - Do NOT store any combustible materials in the base enclosure.
  - The use of alcohol, prescription or non-prescription drugs may impair an individual's ability to properly

---

assemble or safely operate this fire pit.

- Do not use in an explosive atmosphere. Keep gas fire pit area clear and free from combustible materials, gasoline and other flammable vapors and liquids.
- This outdoor fire pit is NOT to be operated by children. Young children should be closely supervised when in the vicinity of this outdoor fire pit.
- This outdoor fire pit is not to be installed or used in or on recreation vehicles and/or boats.
- Always use in accordance with all applicable local, state and national codes. Contact your local fire department for details on outdoor fires.
- Use the same precautions you would with any open fire with this outdoor fire pit.
- Do NOT burn solid fuels such as: wood, charcoal briquettes, lump charcoal, manufactured logs, driftwood, trash, leaves, paper, cardboard, plywood, painted or stained or pressure treated wood in this outdoor fire pit.
- Do NOT alter this outdoor fire pit in any manner.
- Do NOT use this outdoor fire pit until it is COMPLETELY assembled, and all parts are securely fastened and tightened.
- Do NOT store another LP gas tank within 10 feet (3.00m) of this outdoor fire pit while it is in operation.
- Do NOT use this outdoor fire pit near automobiles, trucks, vans or recreational vehicles.
- Do NOT use this outdoor fire pit under any overhead or near any unprotected combustible materials. Avoid using near or under overhanging trees and shrubs.
- Always use this outdoor fire pit on a hard, level, non-combustible surface such a concrete, rock or stone. An asphalt or blacktop surface may not be acceptable for this purpose.
- Do NOT use this outdoor fire pit if any part has been under water. Immediately call a qualified service technician to inspect the fire pit and to replace any part or control system and any gas control which has been under water.
- Do NOT wear flammable or loose clothing when operating this outdoor fire pit.
- Do NOT use in windy conditions.
- Keep all electrical cords away from a hot outdoor fire pit.
- Certain areas of this outdoor fire pit will become too hot to touch during and after use. Do not touch hot surfaces until the unit has cooled unless you are wearing protective gear such as insulated pot holders or heat resistant gloves or mittens to avoid burns.
- Children and adults should be alerted to the hazards of high surface temperatures and should stay away to avoid burns or clothing ignition.
- Do NOT hang or place clothing or other flammable materials on or near the gas fire-place.
- Any guard or other protective device removed for servicing the fire pit must be re-placed prior to operation.
- Do NOT attempt to move or store this outdoor fire pit until all parts are cool.
- Do NOT lean over this outdoor fire pit when lighting or when in use.
- Use only the regulator and hose assembly provided. Use only replacement regulator and hose assemblies specified by the manufacturer.
- Storage of this outdoor fire pit indoors is permissible only if the tank is disconnected, removed from the outdoor fire pit and properly stored outdoors.
- Do not attempt to disconnect the gas regulator from the tank or any gas fitting while the outdoor fire pit is in use.

- 
- Always shut off gas supply at the tank valve and disconnect regulator from the tank when the fire pit is not in use.
  - Do NOT sit on the mantle when the unit is in operation.
  - Do not throw anything onto the fire when the unit is in operation.
  - Lava rocks are very hot; please keep children or pets away at a safe distance.
  - It is essential to keep the outdoor fire pit valve compartment, burners, and circulating air passages clean. Inspect outdoor fire pit for debris before each use.
  - Prior to each gas fire pit operation, check the hose for evidence of excessive abrasion or wear by looking through the visual check hole. If the hose is damaged, cut or cracked, it must be replaced before using the gas fire pit. The hose assembly can only be replaced by a hose assembly specified by the manufacturer.
  - It was recommended frequency of checking the tubing or the flexible hose at least once per month and each time the cylinder is changed.
  - Before each use, remove the glass balls. Examine the burner and its components. If dirty, clean with a soft brush and soapy water solution. Also examine the area around the burner. Any dirt or foreign material, such as spider webs or nests in this area should be removed. If it is evident that the burner is damaged, it must be replaced before the gas fire pit is used.
  - The burner assembly can only be replaced by a burner specified by the manufacturer. Place the hose out of the pathways where people may trip over it.
  - Do Not cross the hose between outdoor fire pit and the propane tank.

➤ **WARNING:**

**Read the instructions before use;**

**Do not obstruct the ventilation holes of the cylinder housing;**

**Do not move the appliance when in operation;**

**Shut off the valve at the gas cylinder or the regulator before moving the appliance;**

**In case of violent wind precautions must be taken against tilting of the appliance;**

**When the national conditions require it, it's necessary to change the flexible tube.**

**Read the instructions before installation;**

**Do not connect the gas cylinder directly to the appliance without regulator.**

**The tubing or the flexible hose must be changed within the prescribed intervals;**

**Use only the type of gas and the type of cylinder specified in these instructions.**

**For use outdoors or in amply ventilated areas**

**An amply ventilated area must have a minimum of 25 % of the surface area open.**

**The surface area is the sum of the walls surface.**

---

## **GAS (LPG) WARNINGS**

- LP gas is flammable and hazardous if handled improperly. Please review the characteristics before using any LP gas product.
- Propane Characteristics:
- Flammable, explosive under pressure, heavier than air, and settles in pools in low areas. In its natural state, propane has no odor. For your safety, an odorant is typically added. Contact with propane could burn the skin.
- Propane is extremely flammable and hazardous if handled improperly.

### **LP GAS WARNINGS:**

- Cylinders must be stored outdoors in a well-ventilated area out of reach of children.
- Disconnected cylinders must have threaded valve plugs tightly installed and must
- not be in a building, garage or any other enclosed area.
- Never use a propane cylinder with a damaged body, valve, collar or footing.
- Dented or rusted propane cylinders may be hazardous and should be checked by your propane gas supplier.
- LP gas tank must be arranged for vapour withdrawal.
- The LP gas tank must have a tank collar to protect the tank valve.
- Never use an LP gas tank with a damaged body, valve, collar, or footing. Dented or rusted LP gas tanks may be hazardous and should be checked by your LP gas supplier prior to use.
- Check that the regulator seal is correctly fitted and able to fulfil its function
- The LP gas tank should not be dropped or handled roughly.
- Tanks must be stored outdoors out of the reach of children. Do NOT store in a building, garage, or any other enclosed area.
- Never store your LP gas tank where temperatures can reach over 51.5°C.
- Do not store the LP gas cylinder in direct sunlight or near a source of heat or combustion.
- Never keep a filled LP gas tank in a hot car or car trunk. Heat will cause the gas pressure to increase, which may open the relief valve and allow gas to escape.
- Place dust cap on valve outlet whenever the LP gas tank is not in use. Only install the type of dust cap on the LP gas tank valve outlet that is provided with the LP gas tank valve. Other types of caps or plugs may result in leakage of propane.
- Do not store a spare LP gas cylinder under or near this appliance.
- Never fill the LP gas cylinder beyond 80% full.
- If the information in (a) and (b) is not followed exactly, a fire causing death or serious injury may occur.
- LP gas cylinders should be filled only by a certified LP gas dealer.
- the pressure regulator is set for 28-30mbar
- Regulator outlet pressure is 28~30mbar
- Never attempt to attach this appliance to the self-contained LP gas system of a camper trailer, motor home or house.
- Always use the pressure regulator and hose assembly provided with the appliance to connect to a LP gas cylinder. Never connect to an unregulated LP gas supply.

- 
- This appliance must be used, and the gas cylinder stored, in accordance with the regulations in force.
  - Contact your retailer's customer service department for replacement parts.
  - Hand turn the manual gas control valve. Never use tools. If the valve will not turn by hand, do not try to repair it. Call a certified gas technician. The use of force or any self-attempted repair may result in a fire or explosion.
  - Use only the type of gas and the type of LPG cylinder specified by the manufacturer.
  - Appliance is fitted with gas regulator, flexible gas rubber pipe and clamps according to the National Rules in force of the country of destination.
  - Appliance must use an approved gas regulator (approved for a working temperature not lower than 50 °C) according to the EN Standard (see minimum, nominal and maximum pressure - gas regulator inlet and outlet connection according to the National Rules in force) and flexible gas hose according to EN Standard (with proper inner diameter according to gas inlet connection and National Rules in force) with a length not over 1.5 m and approved for a working temperature not lower than 60 °C. When substitution will be necessary, you have to purchase suitable gas regulator, flexible gas rubber pipe and clamps from your local gas dealer; gas regulator should be substituted not over 10 years.
  - Flexible gas rubber pipe must be carefully, avoiding any twisting. Never use a damaged gas regulator.
  - Never connect this appliance to an unregulated LPG source (gas regulator is mandatory to be used).
  - When the appliance is not in use, turn the LPG cylinder in "OFF" position.
  - Always perform a leakage test on gas connections whenever a LPG cylinder is connected. If bubbles form in Flexible gas rubber pipe must be located in the LPG compartment carefully, avoiding any twisting.
  - Never use a damaged gas regulator.
  - Always perform a leakage test on gas connections whenever a LPG cylinder is connected. If bubbles form in the leakage test solution, do not use it. Never use a flame to test for leakages. **It is strictly forbidden and dangerous!**

### The Maximum size of the gas tank.



- 1 "Maximum diameter or breadth:"24cm".
- 2 "Maximum height (regulator included):"34cm"

# TECHNICAL DATA

<b>Product Name :</b>		<b>Serial No:</b>	
<b>Model:</b>		<b>Date Code:</b>	
Gas type	G30, G31 or their mixtures	G30 at (28-30)mbar G31 at 37mbar	G30,G31 or their mixtures
Gas Category	I3B/P(30)	I3+(28~30/37)	I3B/P(50)
Gas pressure (mbar)	(28-30)	(28-30/37)	50
Gas consumption	G30/923g/h	G30:923g/h, G31: 909g/h	G30/923g/h
Destination Countries	LU,NL,DK,FI,SE,CY, CY,CZ,EE,LT,MT,SK, SI,BG,IS,NO,TR,HR, RO,IT,HU, LV	BE,FR,IT,LU,IE,GB,GR, PT,ES,CY,CZ,LT,SK,CH, SI,LV	DE,AT,CH,LU,SK
Nominal heat input	11.7kW (923g/h) (Hi)		

Read the instructions before using the appliance.

USE OUTDOORS USE

**Caution**

- this appliance is intended for decorative purposes.
- Accessible parts may be very hot. keep young children away.
- this appliance must be installed in accordance with such regulations as are in force, and used only in a sufficiently ventilated space.

Consult instructions before installation and use of this appliance.

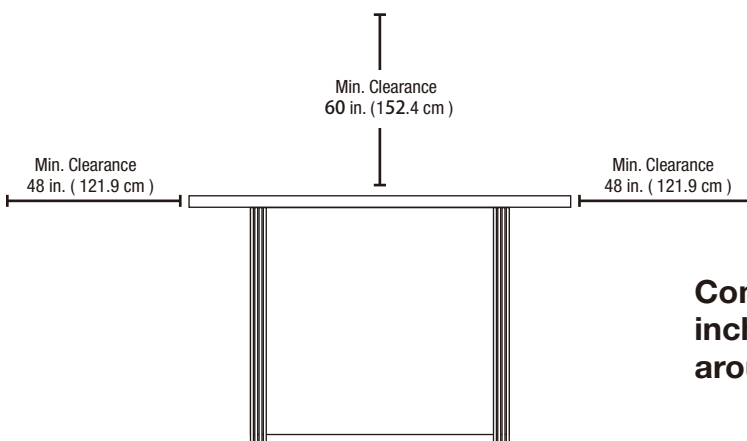
- After use turn off the appliance at the cylinder valve;
- This appliance requires a hose and regulator which are defined in the instruction.
- The surface area is the sum of the walls surface.

**WARNING NOT TO BE USED FOR THE HEATING OF DOMESTIC PREMISES;**

**WARNING that the appliance shall not be used in basements or below ground level;**

**WARNING THIS APPLIANCE HAS A NAKED FLAME. ASUITABLE GUARD SHOULD BE USED FOR THE PROTECTION OF YOUNG CHILDREN, THE ELDERLY AND THE INFIRM.**

**NOTE: You must follow all steps to properly assemble this heating item. Make sure the gas valve is turned "OFF" before assembling. Do NOT attempt to assemble without proper tools.**



**Combustible materials should not be within 60 inches of the top of the unit, or within 48 inches around the entire unit.**

## EXPANDED VIEW



AA



BB



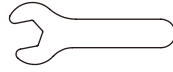
CC



DD



EE



FF

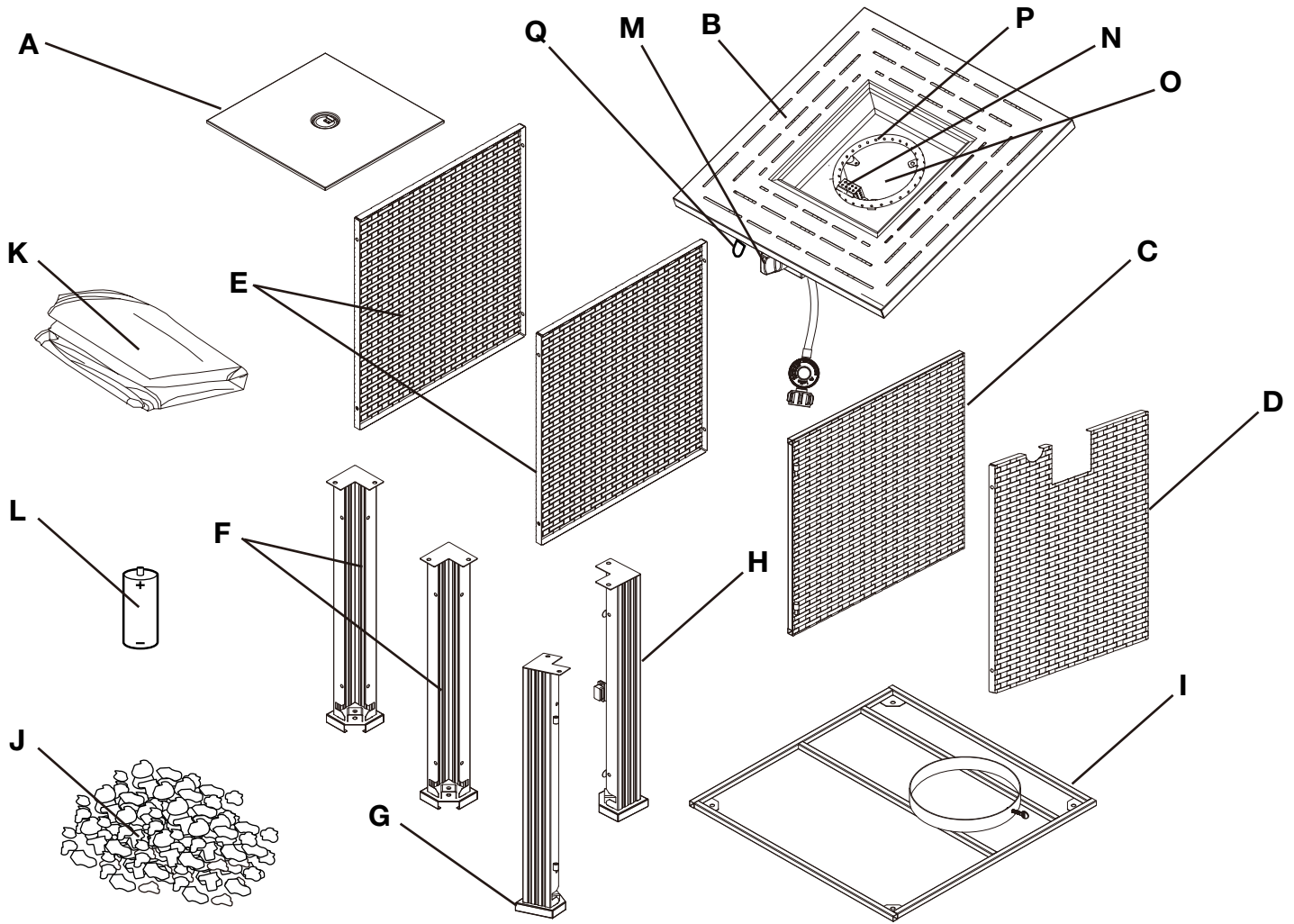
Item	Description	Qty
AA	M6 x 10 Screw	24
BB	M6 Nut	12
CC	M4 x 8 Screw	1
DD	Washer	1
EE	Door Knob	1
FF	Wrench	1

Before beginning assembly of this product be sure all parts are present. Compare parts with package contents list and hardware contents list. If any part appears to be missing or damaged do not begin assembly of this product and call customer service immediately.

Estimated assembly time: 30 minutes

Tools required for assembly (not included): Phillips Screwdriver

## EXPANDED VIEW

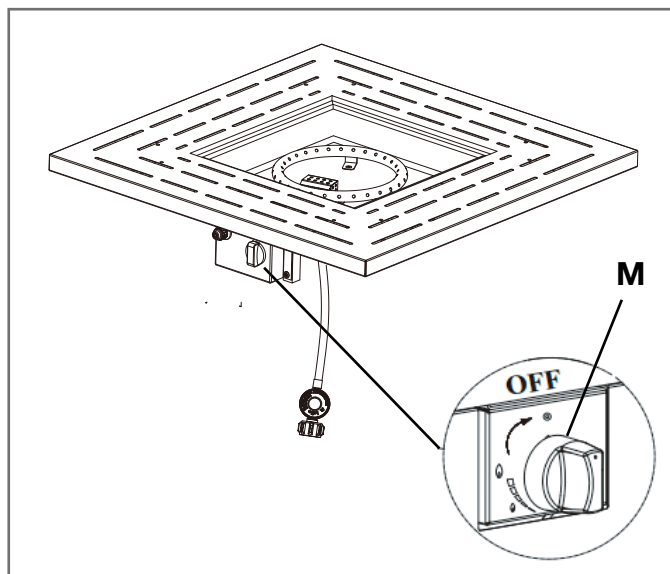


Item	Description	Qty
A	Lid	1
B	Table Top	1
C	Door	1
D	Front Panel	1
E	Side Panel	2
F	Left Leg	2
G	Right Front Leg	1
H	Right Back Leg	1
I	Metal Stand	1
J	Lava Rocks	1 box (3 kg)
K	PVC Cover	1
L	Battery (AAA)	1
M	Control Knob (preassembled)	1
N	Guard (preassembled)	1
O	Firebowl (preassembled)	1
P	Burner (preassembled)	1
Q	Electronic Igniter (preassembled)	1

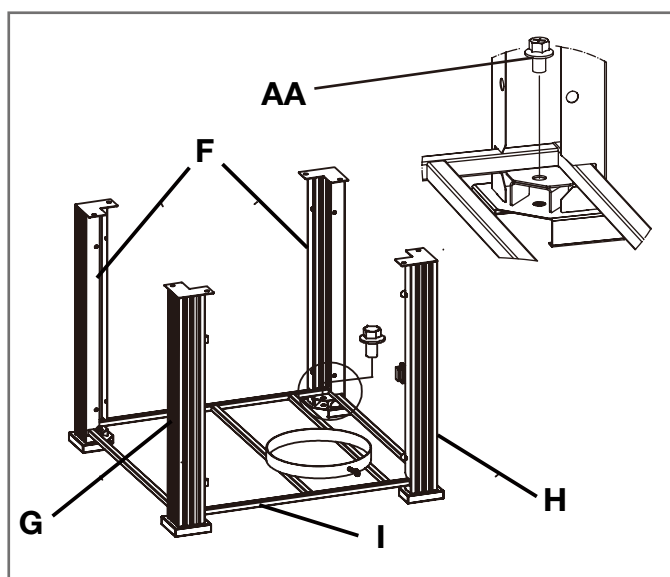
# INSTALLATION

Before beginning assembly of this product be sure all parts are present. Compare parts with package contents list and hardware contents list. If any part appears to be missing or damaged do not begin assembly of this product and call customer service immediately.

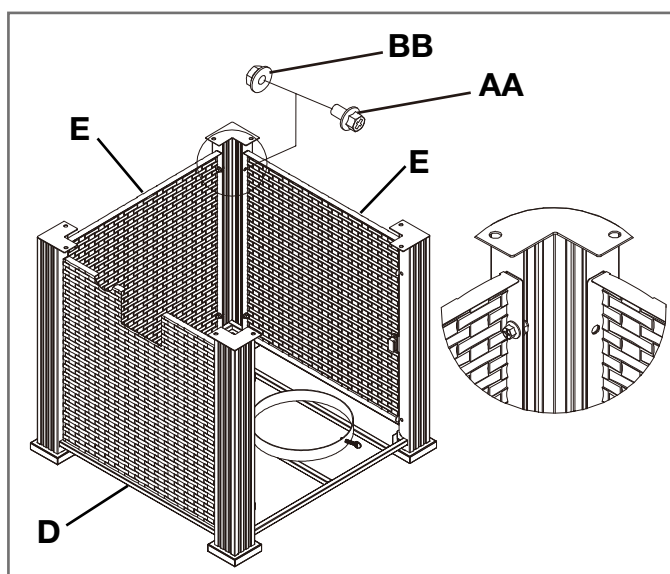
**1.** Check that the control knob (M) for the gas supply system is turned to the “OFF” position before starting any assembly.



**2.** Attach right front leg (G), right back leg (H) and 2 left legs (F) to the metal stand (I) using 4 pcs M6 x 10 screws (AA).

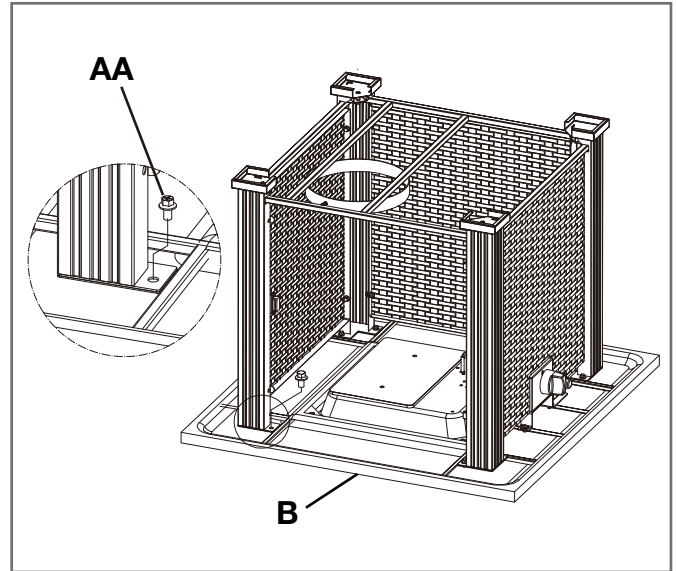


**3.** Attach the 2 side panels (E) and front panel (D) to the legs using 12 pcs M6 x 10 screws (AA) and 12 pcs M6 nuts (BB).

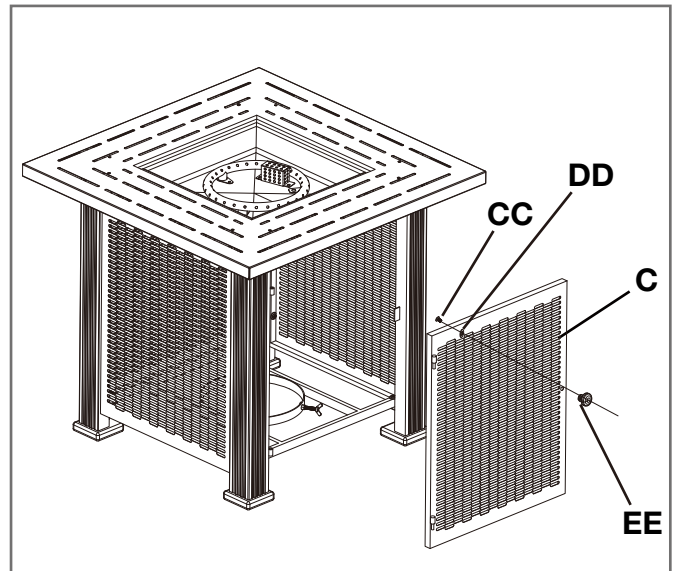


# INSTALLATION

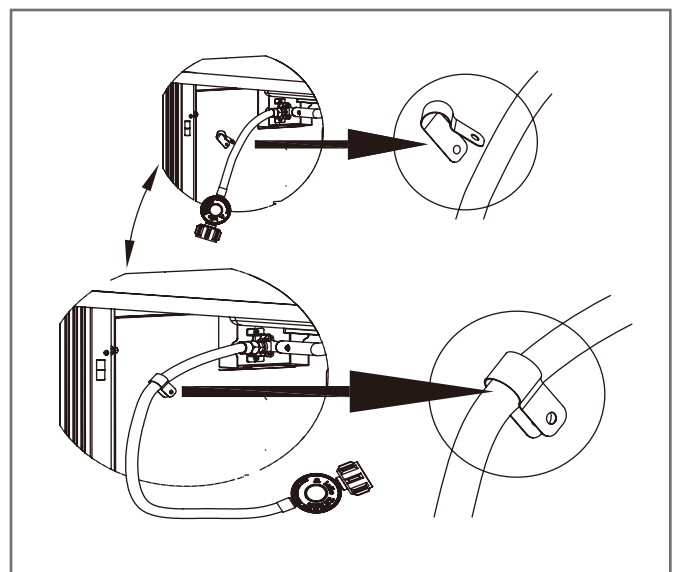
4. Attach steel base to the bottom part of the table top (B) using 8 pcs M6 x 10 screws (AA).



5. Insert the door (C) to right front leg and attach door knob (EE) to the door using 1 M4 x 8 screw (CC) and 1 washer (DD).

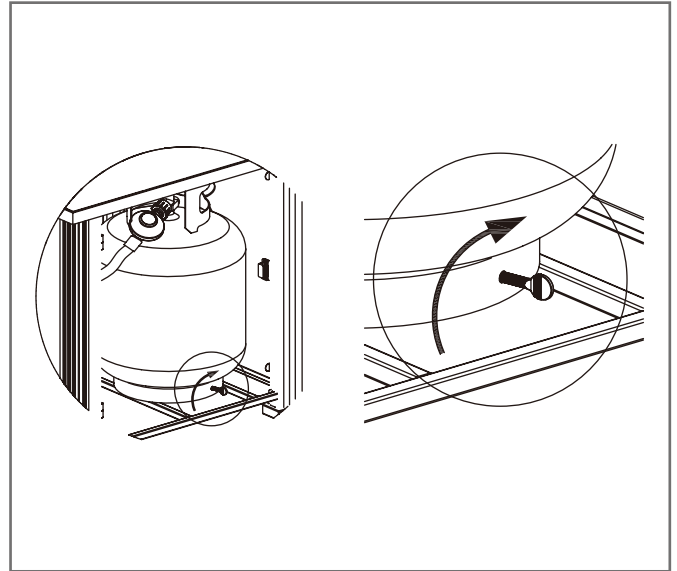


6. Attach hose of regulator tightly to the bracket.

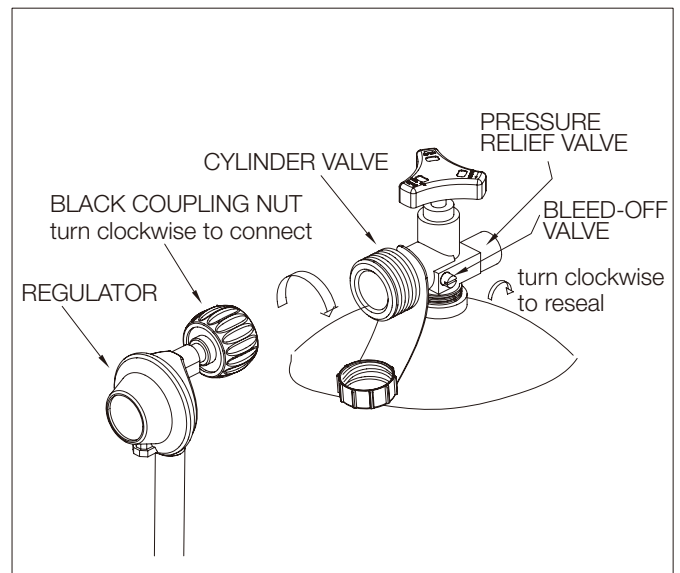


## INSTALLATION

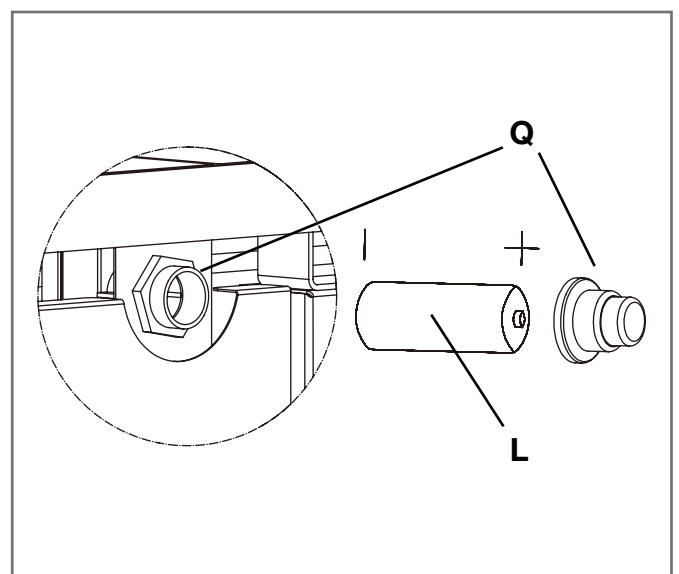
**7.** Place propane gas tank (not included) into the metal stand (I). Make sure the gas tank sits on the metal stand (I) completely. Turn the preassembled wing screw on the outer part of metal stand (I) clockwise to secure the propane gas tank tightly.



**8.** Turn the cylinder valve on the tank clockwise to close the propane tank. Attach the preassembled regulator from the table top (B) to the cylinder valve by turning the regulator coupling nut clockwise. Make sure it is fastened securely and tighten connections by hand only.



**9.** Remove the rubber cap on the electronic igniter (Q) by unscrewing and slide battery (L) into the battery slot. Make sure the positive side of the battery faces outwards. Screw the electronic igniter cap (Q) over the battery tightly.



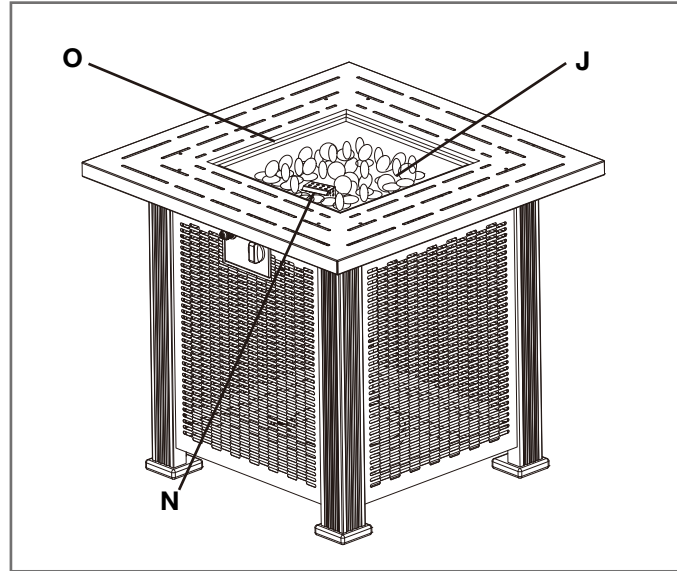
# INSTALLATION

10. Pour the box of lava rocks (J) into the firebowl (O).



## CAUTION

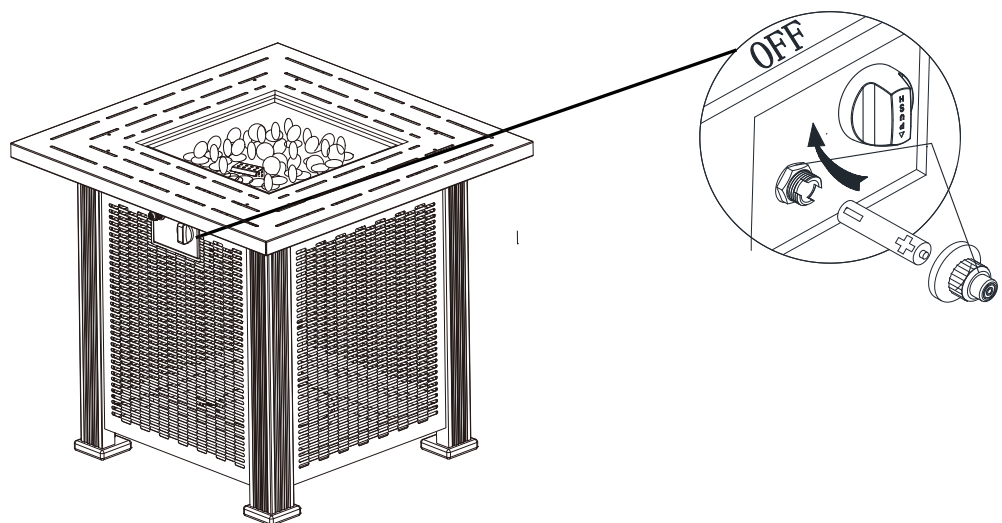
To ensure proper function, the guard (N) on this burner (P) should be free of lava rocks at all times.



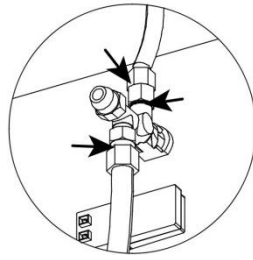
## Instruction for connecting gas circuit to LPG cylinder:

Keep at hand suitable crossed screwdriver, adjustable spanners, pliers and wrenches. Before assembly, make sure all protection packing material has been removed. Flexible gas hose (EN1763-1 or EN16436-1&2) and clamps (if necessary) are supplied with this appliance and must be used, according to National Rules in force. You need to purchase one gas regulator and one gas cylinder. The gas regulator has to be set according to specific gas category (see on page 2) and proper gas consumption (g/h) specification. The LPG cylinder should be EN 16219 standard certified one. Recommend to use 5 kg to 10.5 kg one. Replacement must be that specified in "Gas Requirements" section of this Instruction Manual. Be careful: do not kink flexible gas rubber pipe of gas circuit. If pipe holder should not be provided, thread of the gas inlet connection will be in line with Standards EN ISO 228-1 or EN 10226-1, EN 10226-2 or according to National Rules in force of the country of destination.

5. Make sure appliance gas knob is turned "OFF" (full disk) before assembling



11. Connect the hose to the appliance and the regulator. Tighten the nuts of the hose clamp with a wrench.



## OPERATING INSTRUCTIONS

### Lighting

1. Open the lid before ignition
2. Read instructions before lighting.
3. Control knob must be in the "OFF" position.
4. Connect propane cylinder (See Manual), open cylinder valve.
5. Push and turn control knob counter clockwise to "LOW".
6. Press the igniter button repeatedly to light burner.
7. Release control knob after 45 seconds.
8. If ignition does not occur in 45 seconds, push and turn burner control knob to "OFF", wait 5 minutes, fan with newspaper or magazine, and repeat lighting procedure.
9. If igniter does not light burner, use a long match or long butane lighter.
10. After burner ignites, adjust flame to desired flame with the control knob.

### TURNING OFF

1. Turn and push the control knob clockwise to the OFF position.
2. Close cylinder valve, disconnect propane cylinder.
3. After use, cover the lid

<b>Product Name :</b>		<b>Serial No.:</b>	
<b>Model:</b>		<b>Date Code:</b>	
Gas type	G30, G31 or their mixtures	G30 at (28-30)mbar G31 at 37mbar	G30, G31 or their mixtures
Gas Category	I3B/P(30)	I3+(28-30/37)	I3B/P(50)
Gas pressure(mbar)	(28-30)	(28-30/37)	50
Gas consumption	G30/923g/h	G30:923g/h, G31:909g/h	G30/923g/h
Destination Countries	LU, NL, DK, FI, SE, CY, CY, CZ, EE, LT, MT, SK, SI, BG, IS, NO, TR, HR, RO, IT, HU, LV	BE, FR, IT, LU, IE, GB, GR, PT, ES, CY, CZ, LT, SK, CH, SI, LV	DE, AT, CH, LU, SK
Nominal heat input	11.7kW (923g/h) (Hi)		

Read the instructions before using the appliance. USE OUTDOORS USE

**Caution**

- this appliance is intended for decorative purposes.
- Accessible parts may be very hot. keep young children away.
- this appliance must be installed in accordance with such regulations as are in force, and used only in a sufficiently ventilated space. Consult instructions before installation and use of this appliance.
- After use turn off the appliance at the cylinder valve:
- This appliance requires a hose and regulator which are defined in the instruction.
- The surface area is the sum of the walls surface.

**WARNING NOT TO BE USED FOR THE HEATING OF DOMESTIC PREMISES;**

**WARNING** that the appliance shall not be used in basements or below ground level;

**WARNING THIS APPLIANCE HAS A NAKED FLAME. A SUITABLE GUARD SHOULD BE USED FOR THE PROTECTION OF YOUNG CHILDREN, THE ELDERLY AND THE INFIRM.**

**LIGHTING INSTRUCTIONS:**

1. Read operating instructions before lighting.
2. Control knob must be in "OFF" position.
3. Make sure the fuel supply is properly connected and open at the source/tank. (See owner's Manual).
4. Push and hold igniter button to create sparks .
5. While holding the igniter button, push and turn control knob to the "Low" position to light the pilot.
6. Keep Burner Control Knob pressed in for 15-30 seconds after ignition.
7. If ignition does not occur in 30 seconds, push and turn burner control knob to "OFF", wait 5 minutes, fan with newspaper or magazine, and repeat lighting procedure.
8. If igniter does not light burner, use a long match or a long butane lighter.
9. Adjust flame to desired flame with the control knob.

**CAUTION:** The gas supply must be turned off at the gas source when the appliance is not in use.

**TURNING OFF**

1. Turn and push the control knob clockwise to the "OFF" position.
2. Turn the cylinder valve off at the gas cylinder.

**FOR SAFE OPERATION**

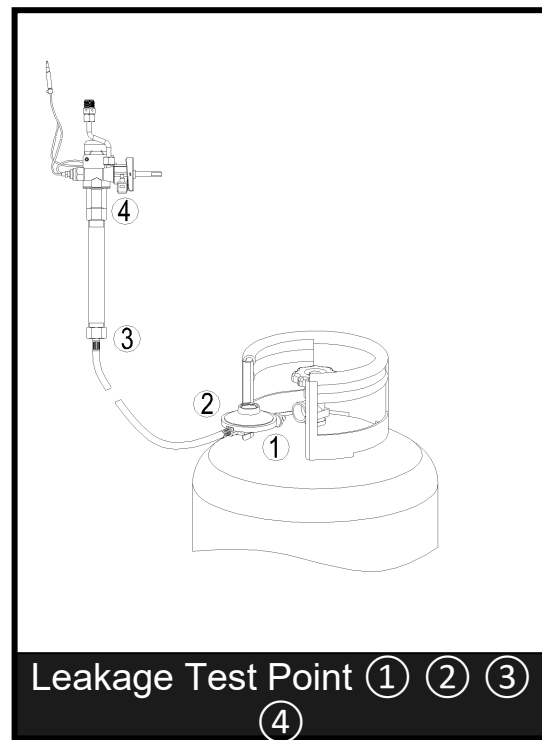
1. Ensure fireplace is not resting on the gas hose and there are no kinks in the hose.
2. Ensure gas valve, thermocouple, burner ignition area and burner orifices are clear of any debris.

## LEAKAGE TESTING

**Never check for gas leakages with a flame or while smoking.**

This appliance needs to be periodically checked for leakages and an immediate check is required if the smell of gas is detected.

- Make a soap solution using 1 part of liquid dish-washing soap to 3 parts water. The soap solution can be applied with a soap bottle, brush, or rag to the leakage tested points shown in the figure beside.
- The valve of the LPG cylinder should be in the “OFF” position at this point of the leakage test. Once the soapy solution is applied to the gas connections, the valve of the LPG cylinder needs to be turned to the “ON” position.
- Soap bubbles will begin to form in the soapy solution if any leakage is present.
- In the event of gas leakage, the appliance shall not be used or if alight, the gas supply shall be shut-off and the appliance shall be investigated and rectified before it is used again. Tighten any leaking fittings, then turn on gas supply and recheck.
- If necessary, substitute gasket (according to EN 549 Class B2) or material used to guarantee tightness (according to EN 751-1 Class I).



## MAINTENANCE AND CLEANING

To enjoy years of outstanding performance from your appliance, regular services of the appliance is mandatory as followings:

- The appliance should be inspected before at least one time a year by a Qualified Service only. More frequent cleaning may be required according to the use of the appliance.
- Any guard or other protective device removed for servicing the appliance must be replaced before operating it.
- Keep exterior surfaces clean, free and clear from combustible materials.
- Use warm soapy water for cleaning. Never use flammable or corrosive cleaning agents.
- While washing your unit makes sure to keep the area around the burner assembly dry at all times. If the gas control is exposed to water in any way, **DO NOT** tries to use it. It must be replaced.
- Burner and LPG compartment circulating air passageways of the appliance must be kept clean.
- Airflow must be unobstructed. Keep controls, burner and circulation air passageways clean. Signs of possible blockage include:
  - Gas odor with extreme yellow tipping of flame / Appliance glow is excessively uneven / Appliance makes popping noises.
  - Spiders and insects can nest in burner or orifices. This dangerous condition can damage the appliance and render it unsafe for use. Clean burner holes by using a heavy-duty pipe cleaner. Compressed air may help clear away smaller particles.

- 
- Carbon deposits may create a fire hazard. If any carbon deposits develop, clean dome and engine with warm soapy water.
  - After the burner and lava rocks are completely cooled down, remove it from the bowl and use a soft brush to get rid of the mild stains, loose dirt and soil. Wipe with a soft cloth.
  - Clean the bowl and afterward put lava rocks again in proper position.
  - For proper cleaning, a vacuum cleaner can be used.

***Note: In a salt-air environment (such as near the sea), corrosion occurs more quickly than normal. Frequently check the corroded areas and repair them promptly. Stubborn stains, discoloration and possibly rust pitting can occur from exposure to harsh outdoor conditions. Be careful not let any powder or solvent come in contact with painted or plastic components as damage may occur.***

***After long use, some discoloration can come up and it screen is normal.***

Make sure both gas supplies is in OFF position before changing battery. Please refer to the process of assembling battery.

Please contact the Manufacturer or dealer for information regarding replacement hoses, thermoplastic, ignite, lava rocks, etc.

***Attention: Never use unauthorized parts or component for this appliance.***

***Use only original equipment replacement spare parts and components.***

***Otherwise may void the warranty of this product and result in a hazardous condition.***

## **STORAGE (after use)**

Turn control knob in "OFF" position (full disk). Turn LPG cylinder in "OFF" position.

Close the gas supply at the valve of the gas cylinder or the regulator after use

Store the appliance in a cool dry place away from direct sunlight; store it upright in an area sheltered from direct contact with inclement weather (such as rain, sleet, hail, snow, dust and debris).

If desired, cover to protect exterior surfaces and to prevent build up in air passages.

***Note: Wait until appliance is cool before covering.***

***During periods of extended inactivity or when transporting:***

Turn control knob in "OFF" position (full disk).

Disconnect LPG cylinder and move to a secure, well ventilated location outdoors. away from any ignition source (candle, cigarettes, other flame producing appliances, ...); DO NOT store in a location that will exceed 50 °C.

Store appliance upright in an area sheltered from direct contact with inclement weather (such as rain, sleet, hail, snow, dust and debris).

If desired, cover appliance to protect exterior surfaces and to prevent build up in air passages.

***Note: Wait until appliance is cool before covering.***

## TROUBLESHOOTING

Problem:	Condition:	Solution suggested:
<b>Burner won't light</b>	Control knob is not in Maximum position (big flame).	Turn control knob in Maximum position (big flame).
	LPG cylinder valve is closed / Empty.	Open the valve / Replace LPG cylinder with a new one.
	Blockage in the injector.	Clean or replace injector.
	Air in the gas circuit.	Open gas line and bleed it (pressing control knob in) for not over 1 minute or until you smell gas.
	Low gas pressure.	Replace LPG cylinder with a new one.
	Ignite fails.	Use match to light burner; change battery or obtain new ignite and replace it.
<b>Burner won't stay lit</b>	Dirty build up around burner.	Clean dirty around the burner.
	Low flames or not full running around the burner.	Flame spreader holes partially closed; clean the burner.
	Thermonuclear is not operating correctly.	Replace thermonuclear (FSD).
	Low Gas pressure.	Replace LPG cylinder with a new one.
<b>Burner flame is low</b> Note: Do not operate appliance below 5 °C	Outdoor temperature is greater than 5 °C and LPG cylinder is less than 25 % full.	Replace LPG cylinder with a new one.
	Gas pipe is bent or kinked.	Straighten hose and perform leakage test on gas pipe.
	Control knob is fully Maximum position (big flame).	Turn control knob to "OFF" position (full disk), let cool to room temperature and check burner and orifices for blockage.
<b>Carbon build-up</b>	Dirty or film on burner.	Clean burner.
<b>Flash back</b> (flame inside burner)	Burner ports are blocked.	Switch OFF the appliance. Close LPG cylinder valve. Wait 2 minutes, following the ignition procedure. Ignite burner. If problem continuous, switch-off. Contact your dealer.
<b>Thick black smoke</b>	Blockage in the burner.	Turn control knob to "OFF" position, let the appliance to cool at room temperature and remove blockage and clean burner inside and outside.