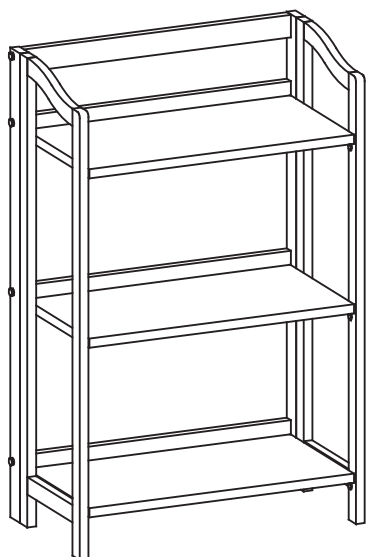

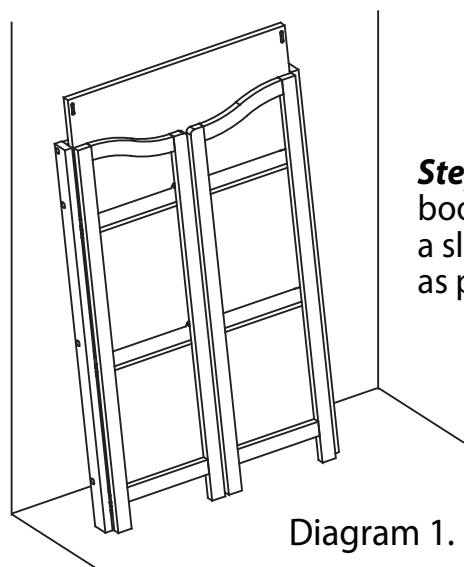


Assembly Instruction Sheet for 3-Shelf Folding Bookcase



List of Hardware

Description	Q'ty
Wood Plug 	8



Step 1 : Gently lean the closed bookcase against the wall with a slight tilt to the back as per Diag.1

Diagram 1.

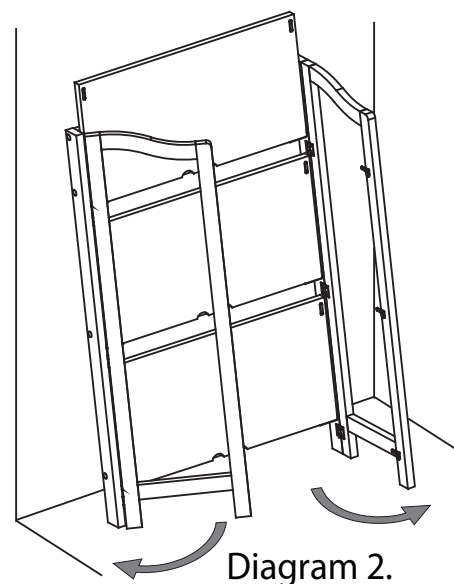


Diagram 2.

Step 2 : Unfold side panels as per Diag.2.

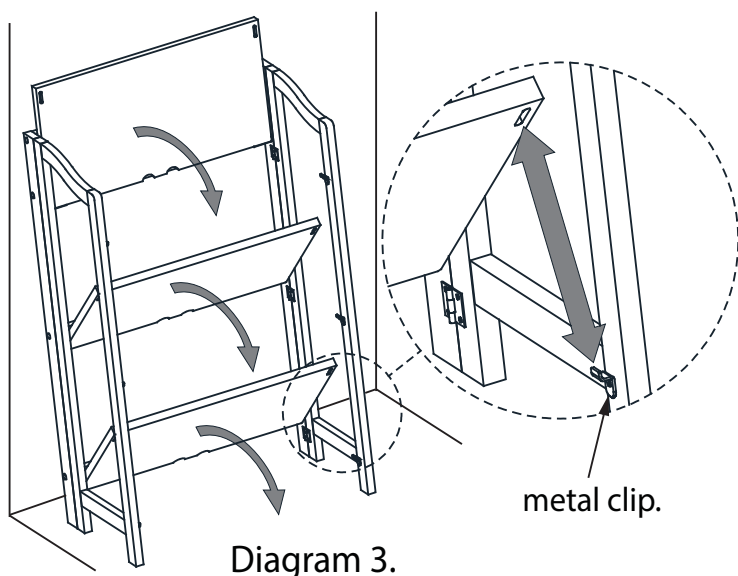


Diagram 3.

Step 3 : Unfold each shelves rest on the metal clip as per Diag.3.

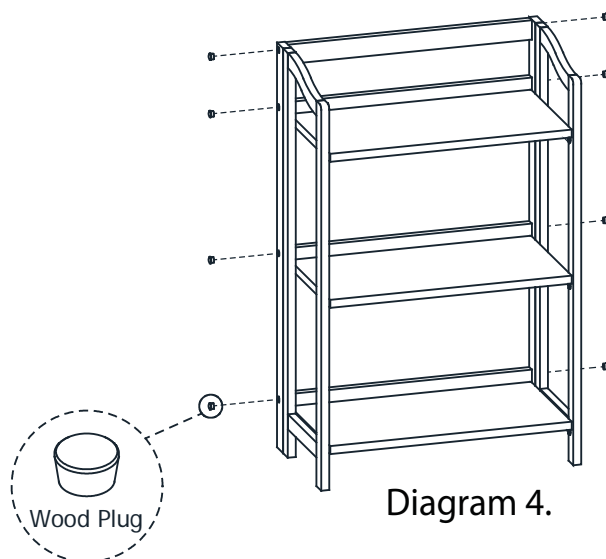


Diagram 4.

Step 4 : Stand the bookcase to its upright position and cover the screw holes with wood plug as per Diag.4.