

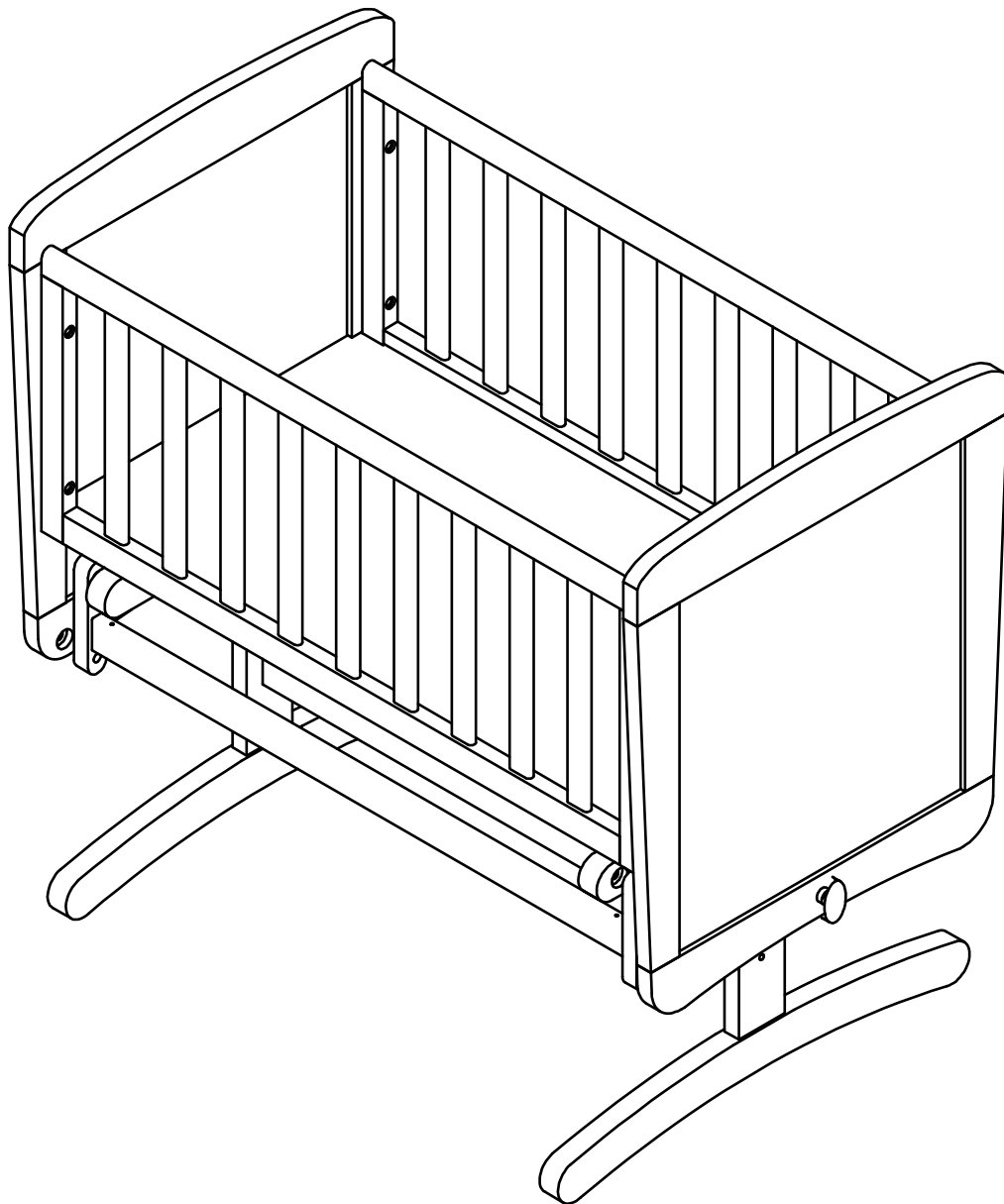


OBABY

Gliding Crib

Instructions

Version: R1-0



**IMPORTANT
KEEP FOR FUTURE REFERENCE**



Thank you for choosing Obaby. This crib conforms to BS EN 1130: 2019. To ensure that your crib is used in accordance with these instructions, please read them fully. Your child's safety may be affected if you do not follow these instructions.

WARNING: A child's safety is your responsibility.

WARNING: Assembly should be carried out by a competent adult only.

WARNING: Do not use this product without reading the instructions first

WARNING: Stop using the product as soon as the child can sit or kneel or pull itself up

WARNING: Placing additional items in the product may cause suffocation

WARNING: Do not place the product close to another product, which could present a danger of suffocation or strangulation, e.g. strings, blind/curtain cords, etc.;

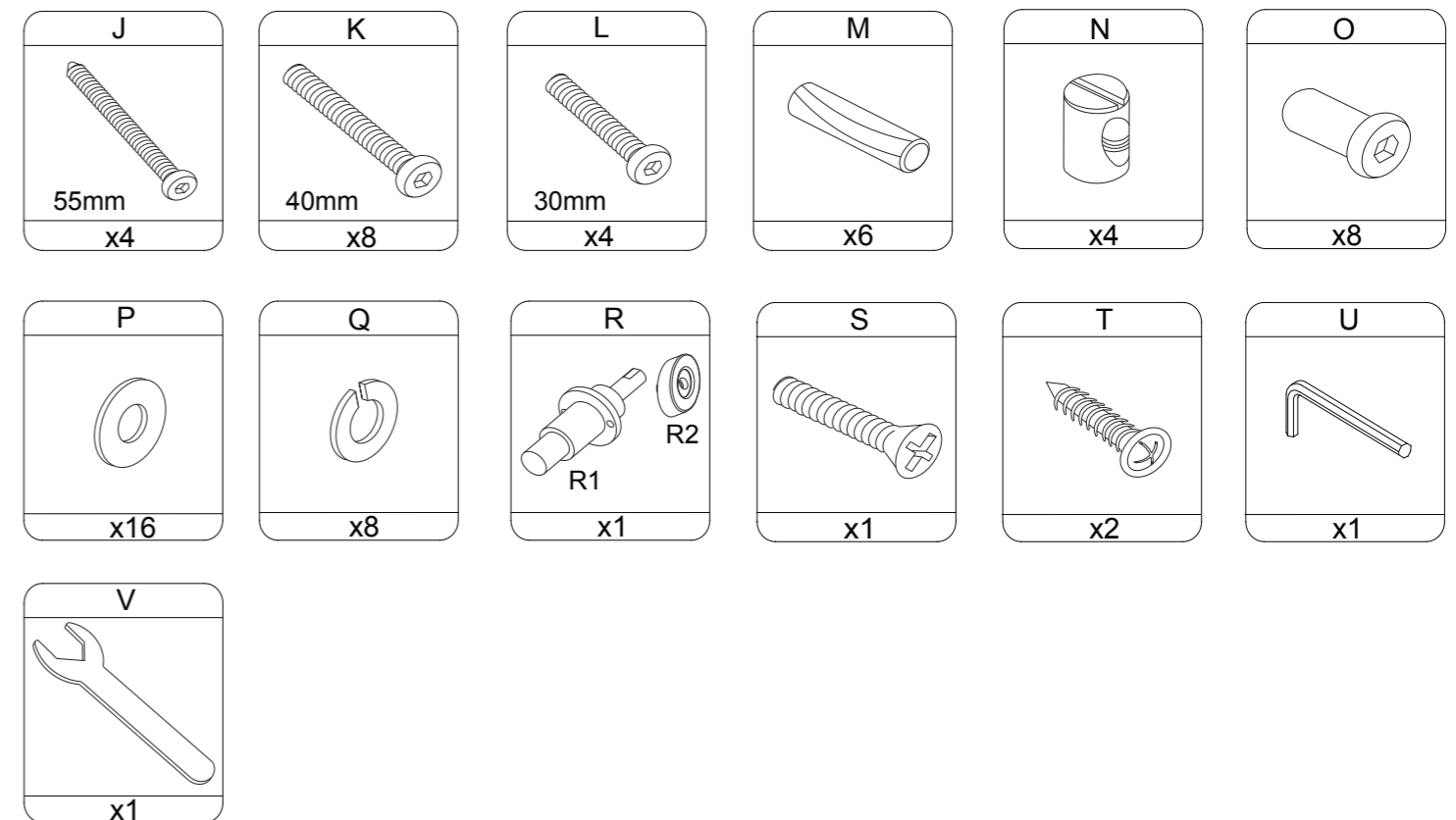
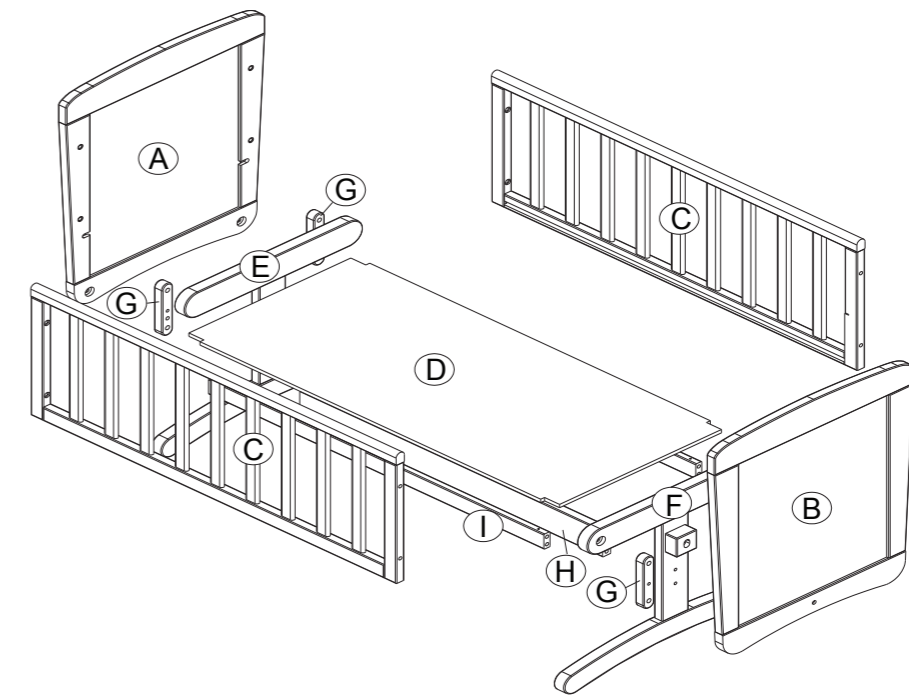
WARNING: Do not use more than one mattress in the product

- The crib/cradle should be placed on a horizontal floor.
- The crib must always be in the locked position when the child is left unattended.
- Young children should not be allowed to play unsupervised in the vicinity of the crib.
- All assembly fittings should always be tightened properly and care should be taken that no screws are loose, because a child could trap parts of the body or clothing (e.g. strings, necklaces, ribbons for babies dummies, etc.), which would pose a risk of strangulation.
- We recommend you use the Obaby Mattress Size 85 x 43cm for this crib/cradle.
- The thickness of the mattress chosen should be such that the internal height (surface of the mattress to the upper edge of the crib/cradle frame) is at least 200mm. One side of the crib has a mark indicating the max height of the mattress, the mattress must not be above this mark.
- Be aware of the risk of the burning cigarettes, open fires and other sources of strong heat, such as electric bar fires, gas fires, etc. in the near vicinity of the crib.
- Do not use the crib if any part is broken, or missing and use only spare parts approved by the manufacturer.

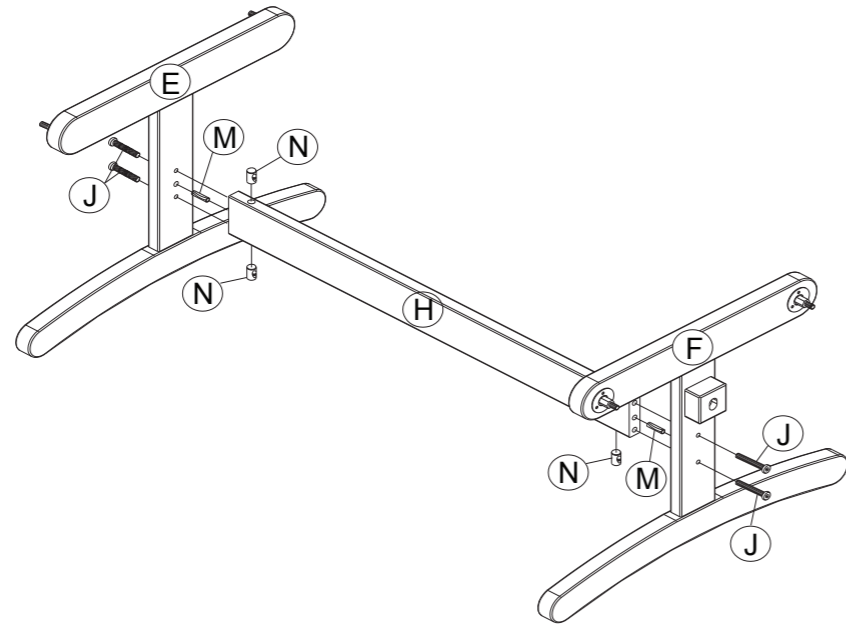
ROUTINE CARE & MAINTENANCE

- For cleaning, use only a mild detergent and warm water.
- DO NOT USE BLEACH.
- DO NOT USE any abrasive substances.
- From time to time, check your crib/cradle for loose screws, and worn parts. Replace or adjust the parts as needed.

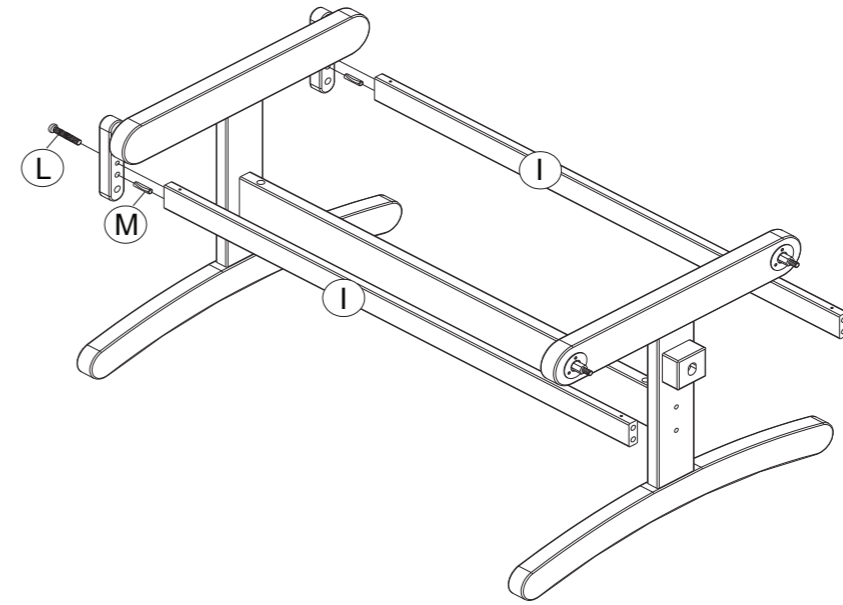
Due to constant updating and improvements, some components may occasionally differ slightly from the images shown in these instructions. We reserve the rights to change the specifications of any products without prior notice. If you need any assistance please contact your Obaby retailer from whom you purchased your product, who will take appropriate action.



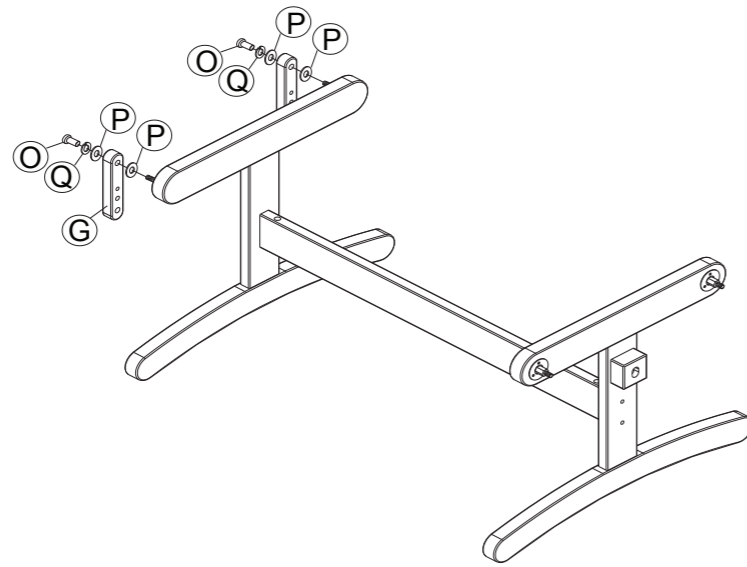
Stage 1



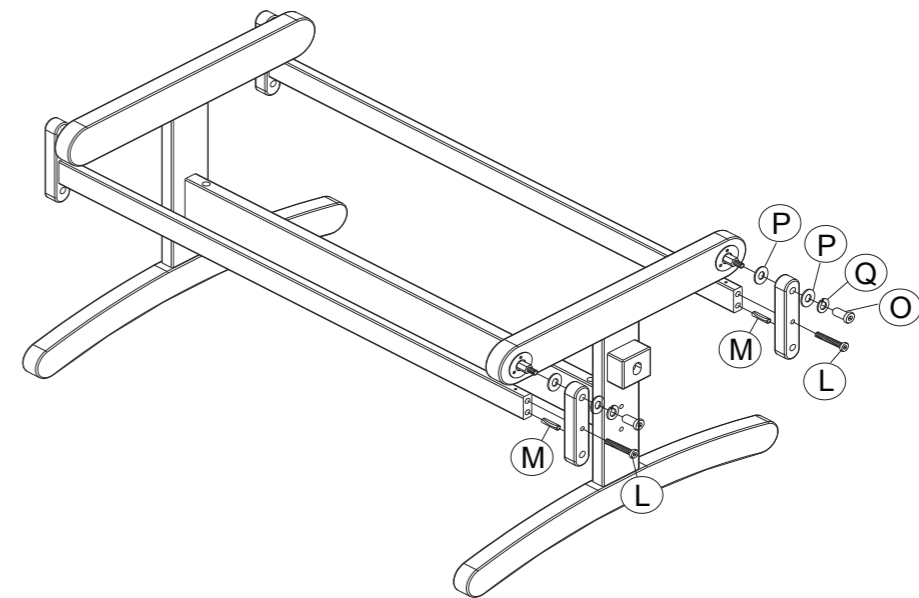
Stage 3



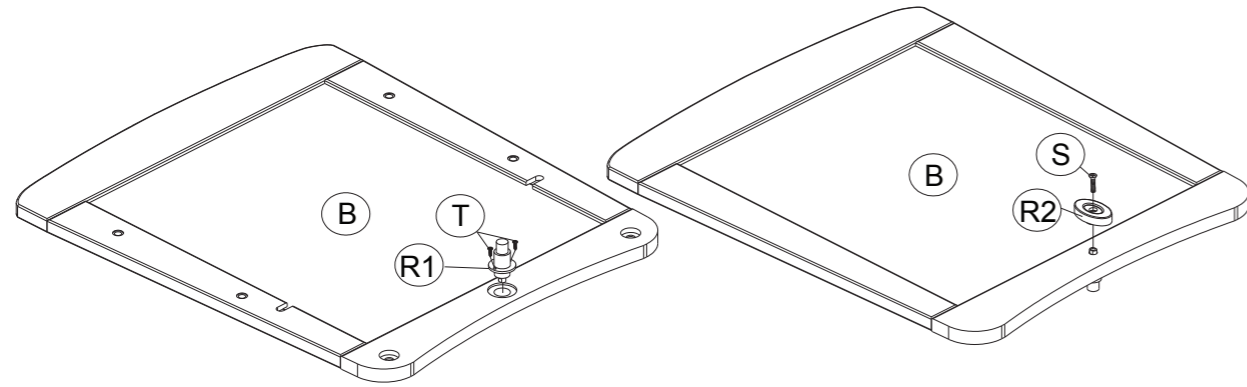
Stage 2



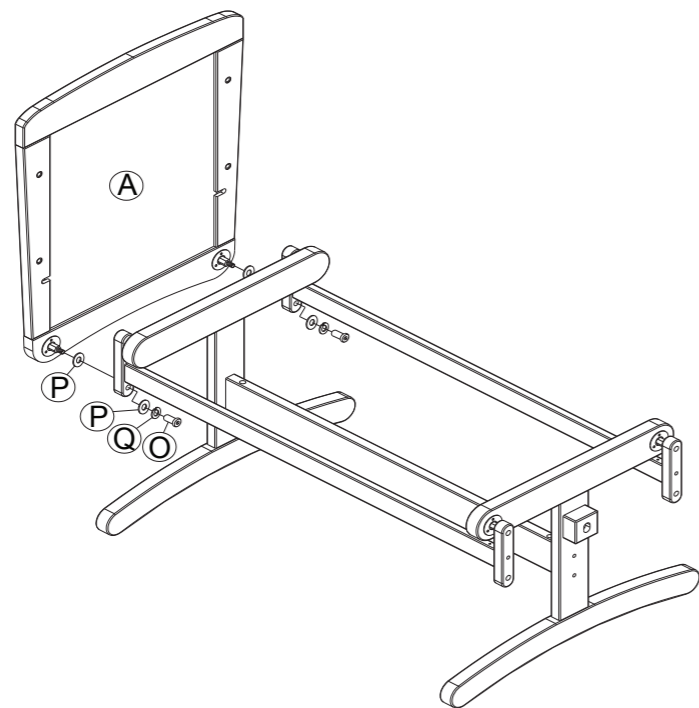
Stage 4



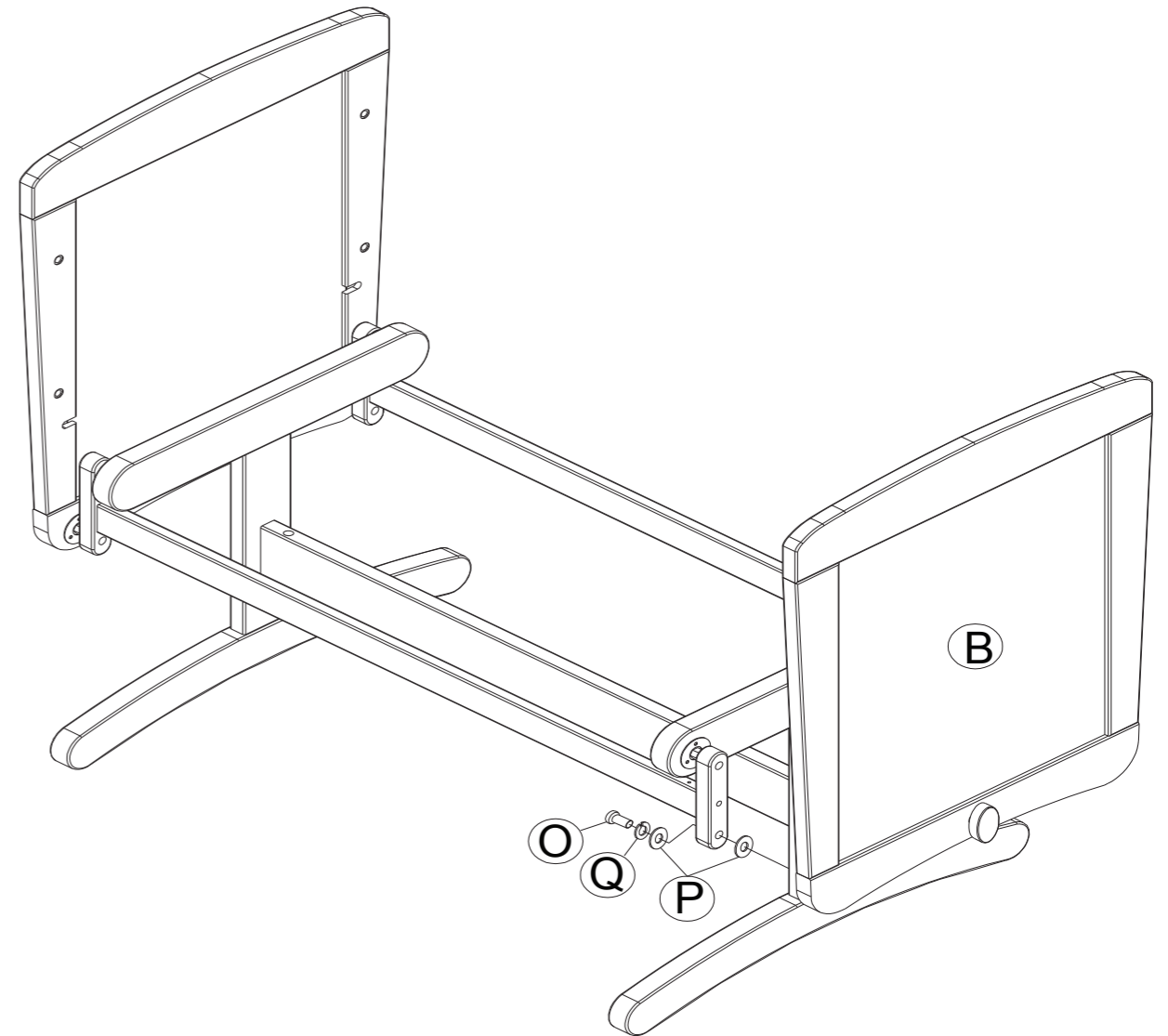
Stage 5

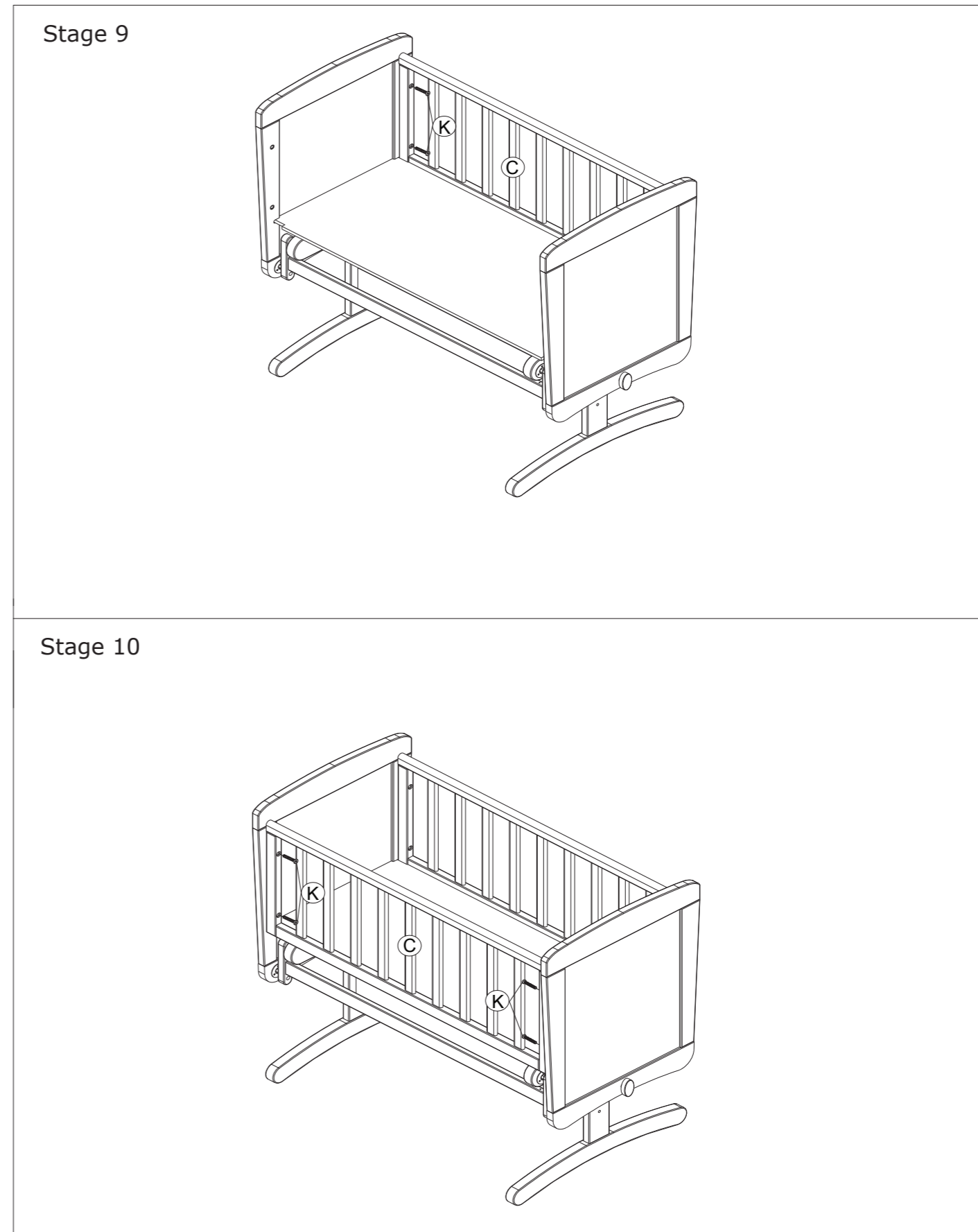
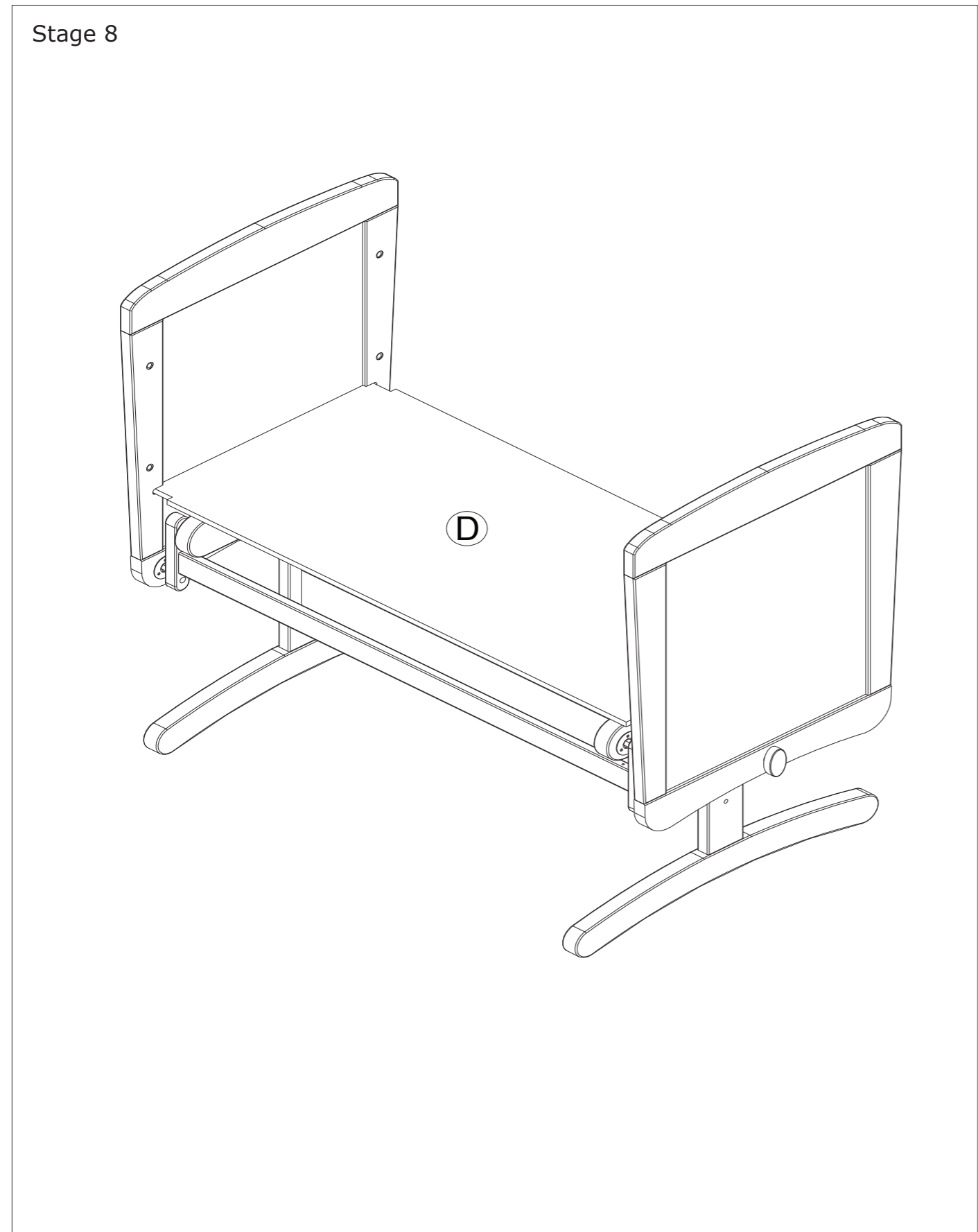


Stage 6

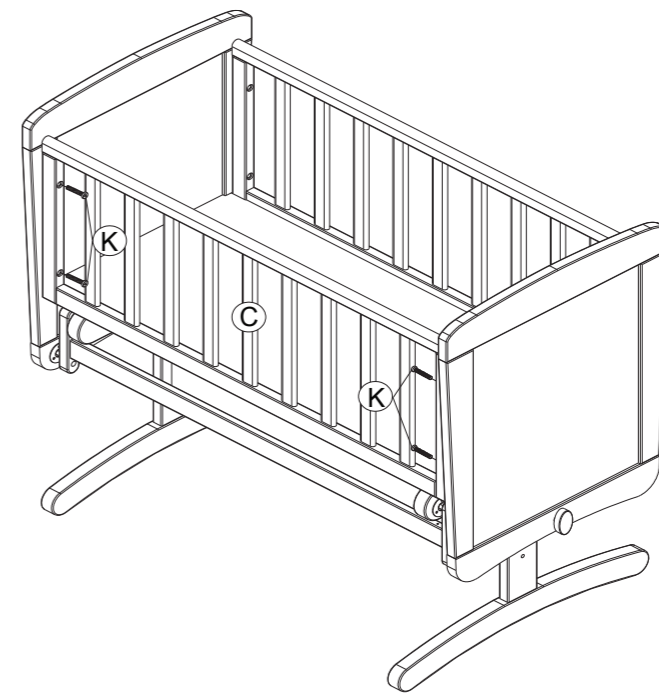


Stage 7

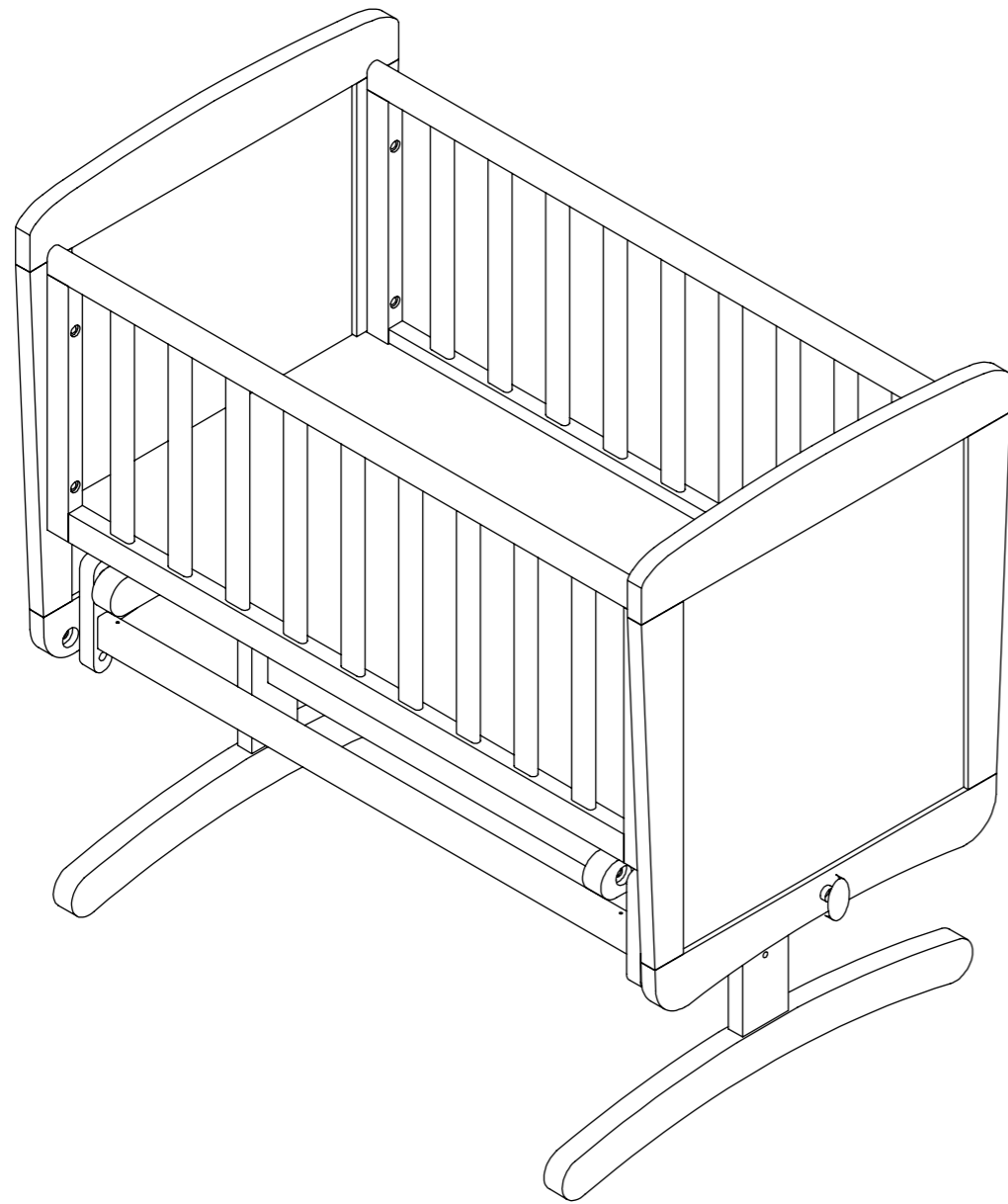




Stage 10



Stage 11



If you are happy with your purchase, please leave a review on our TrustPilot account using the following link:

<https://uk.trustpilot.com/review/www.obaby.co.uk>



OBABY

obaby.co.uk



OfficialObaby



Obaby_UK



obabyuk



obabyuk



officialobaby

