

>>assembly instructions

Congratulations on your latest purchase.

Now what? Don't start sweating over this box of parts. This will be easy. We did the hard work for you. All you need to do is follow our simple instructions and you'll be on your way to transforming your room in no time. Good luck --though we're confident you won't need it.

before you begin

1. Use the carton as a working surface to prevent product damage during assembly.
2. Gather all tools prior to assembly.

table of contents

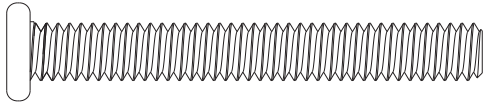
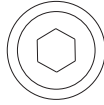


introduction	2
hardware	4
parts list	5
assembly	6 - 9

hardware

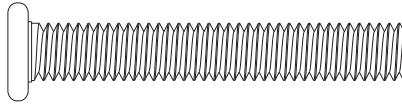
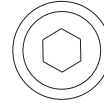
(A) x 4

5/16" x 60mm
round hex screw



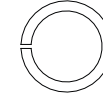
(B) x 4

5/16" x 50mm
round hex screw



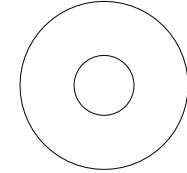
(C) x 8

Φ 8mm lock washer



(D) x 8

Φ 22mm flat washer



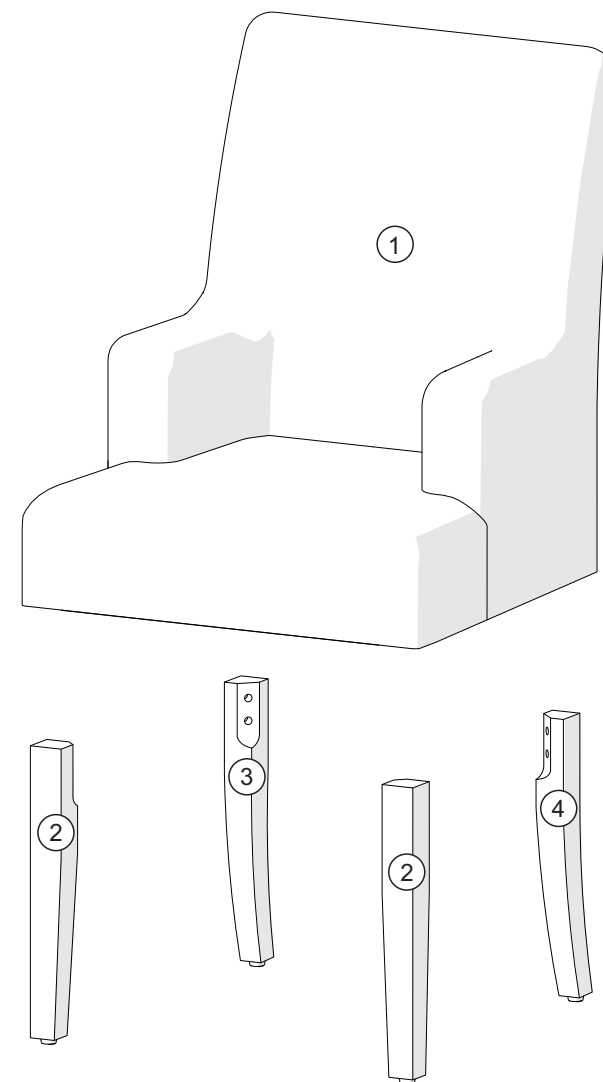
(E) x 1

5mm Ball end
Hex wrench



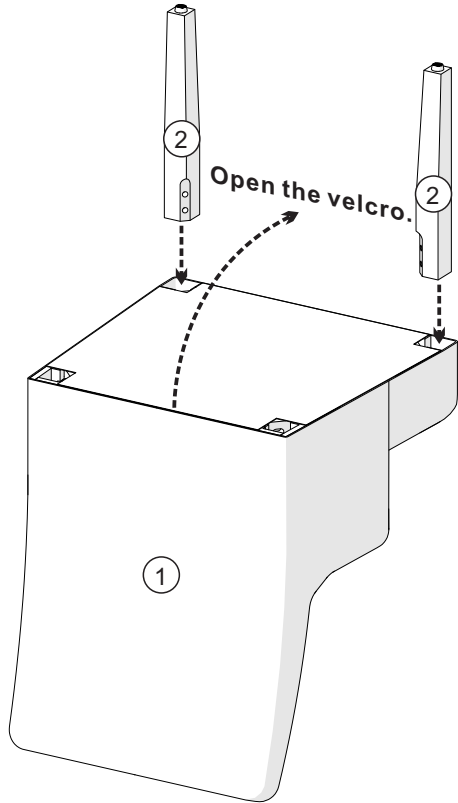
ITEM DESCRIPTION QUANTITY

①	chair cushion	1
②	front leg	2
③	left back leg	1
④	right back leg	1

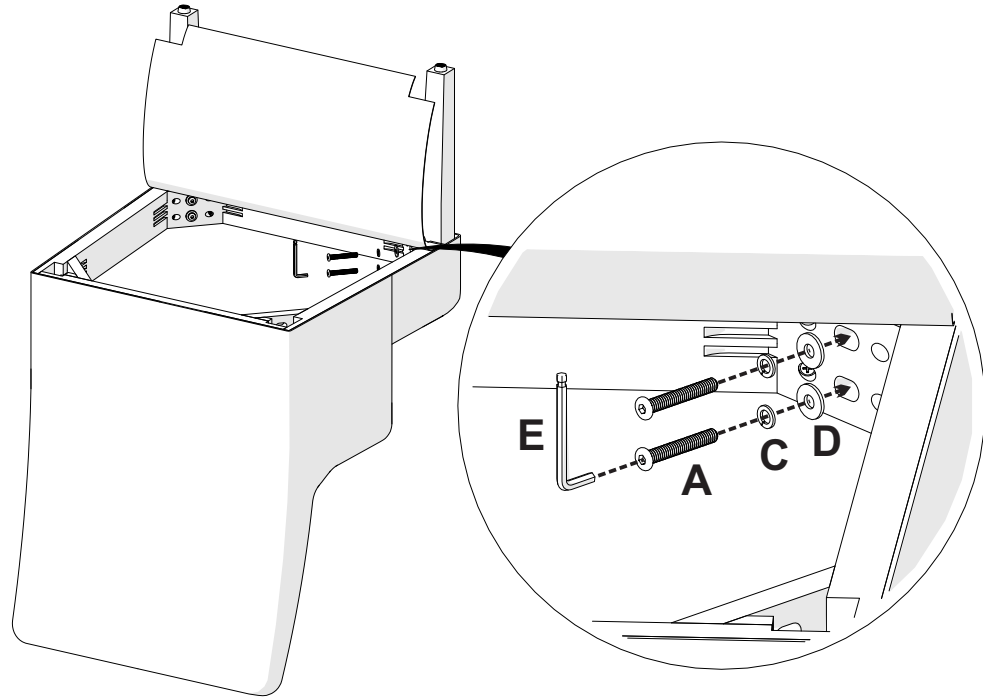


step 1.

1

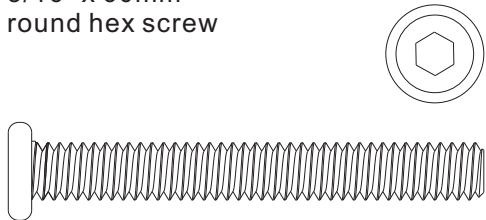


2



(A) x 4

5/16" x 60mm
round hex screw



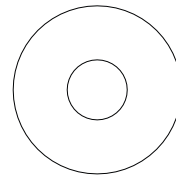
(C) x 4

Φ 8mm lock washer



(D) x 4

Φ 22mm flat washer



(E) x 1

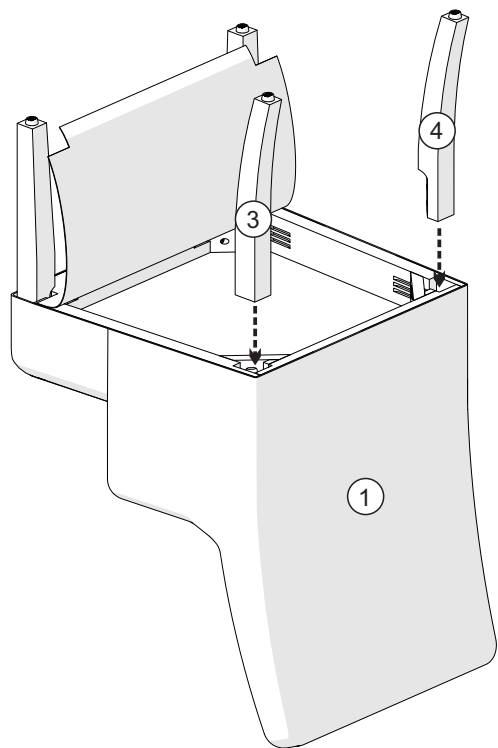
5mm Ball end
Hex wrench



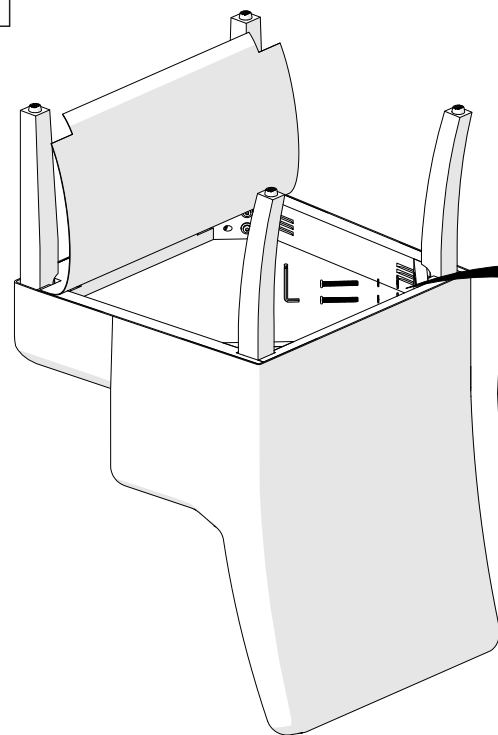
Please do not assemble with power tools.

step 2.

1

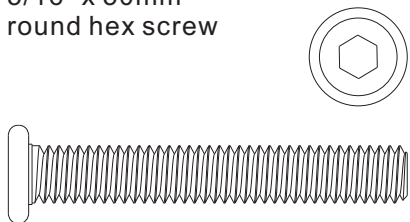


2



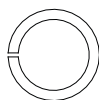
(B) x 4

5/16" x 50mm
round hex screw



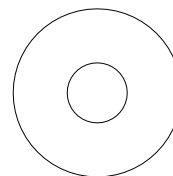
(C) x 4

Φ 8mm lock washer



(D) x 4

Φ 22mm flat washer



(E) x 1

5mm Ball end
Hex wrench

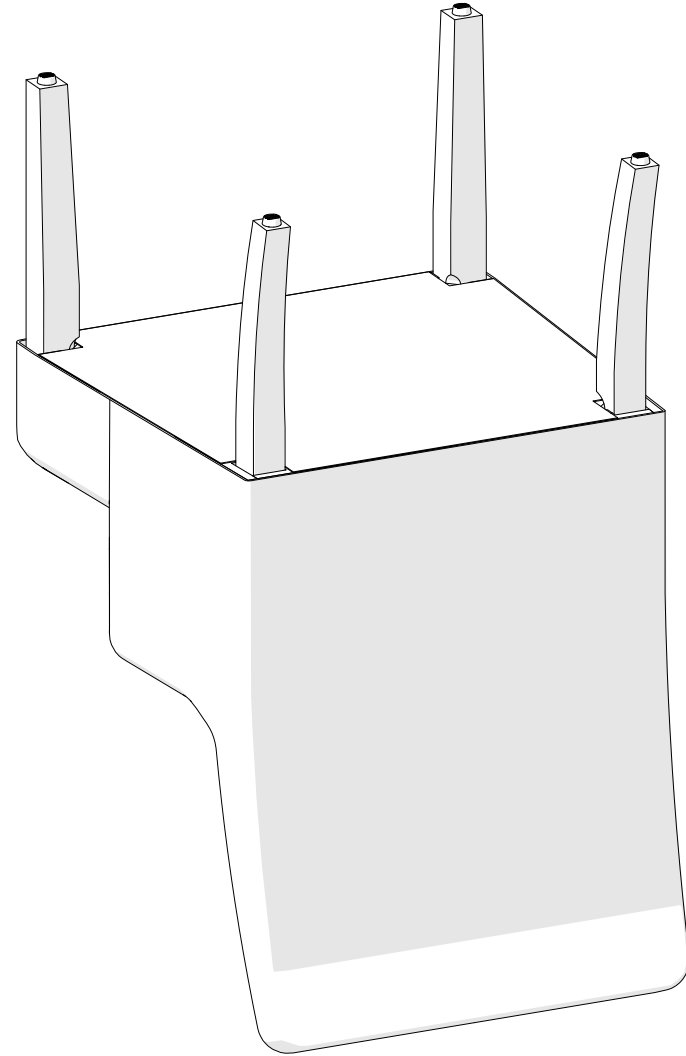
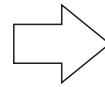
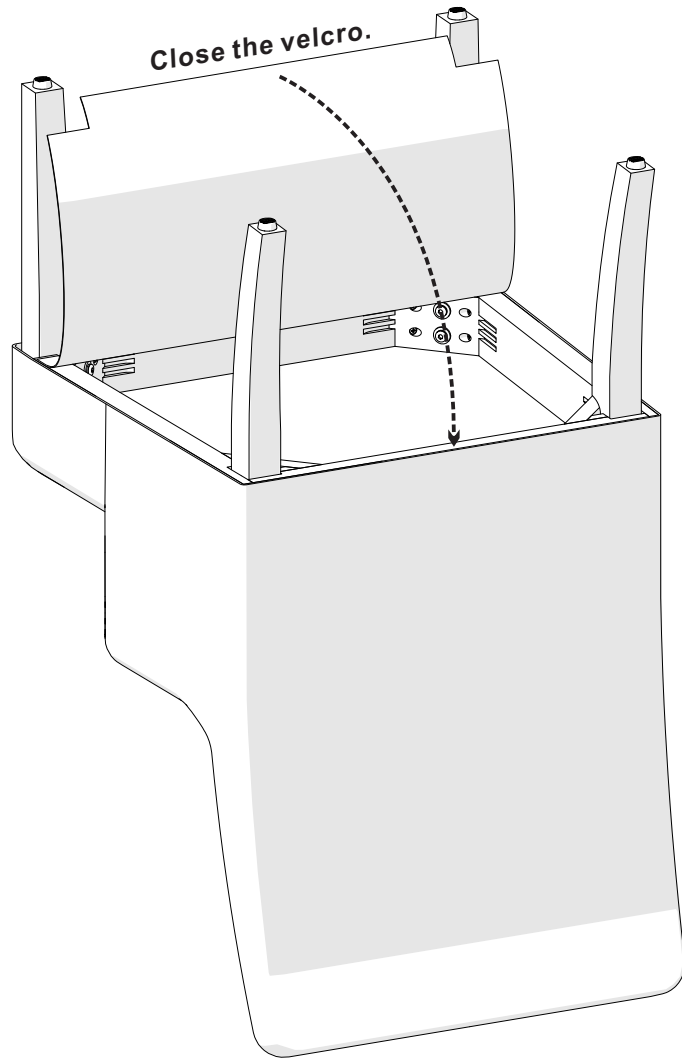


Please do not assemble with power tools.

step 3.

.....

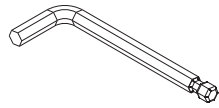
1



step 4.

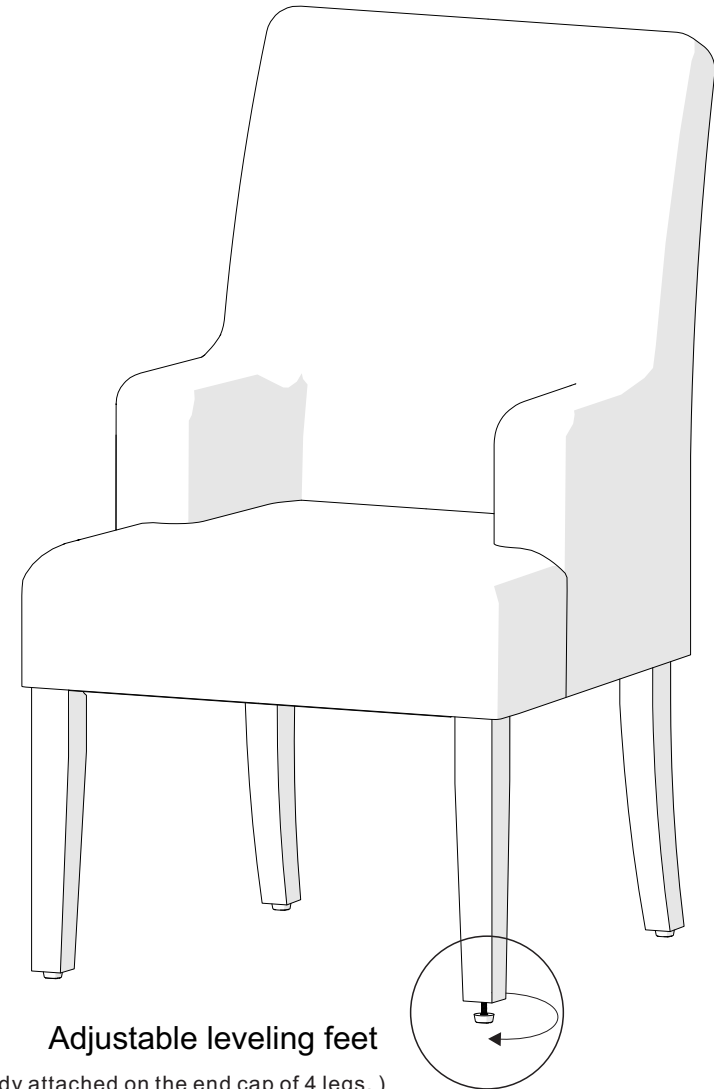
A friendly reminder from us:

Please keep the Allen wrench.



After a period of time, there may be a chance the KD furniture may become loose, please use an Allen wrench to tighten the loose bolts.

Put the chair right and check whether the chair has been well assembled. If it is not assembled, loosen the screw and tighten it on the ground.



Level the furniture, use leveling feet if needed.